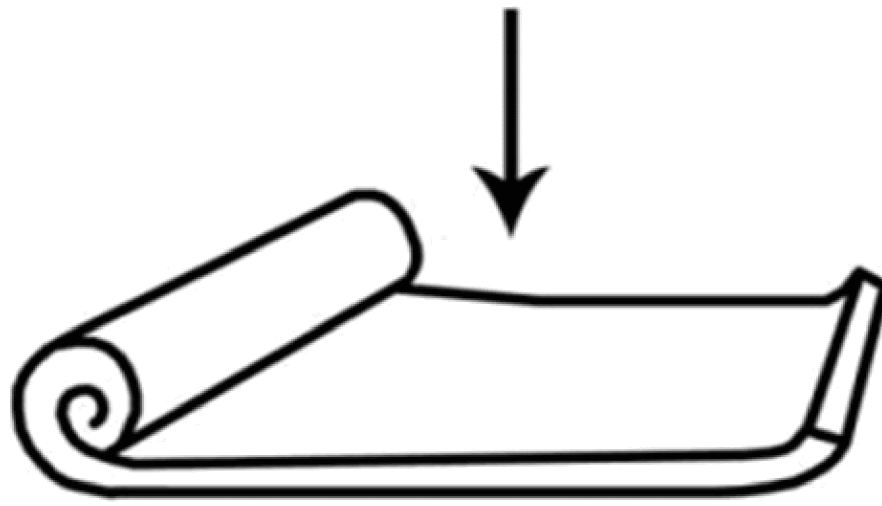
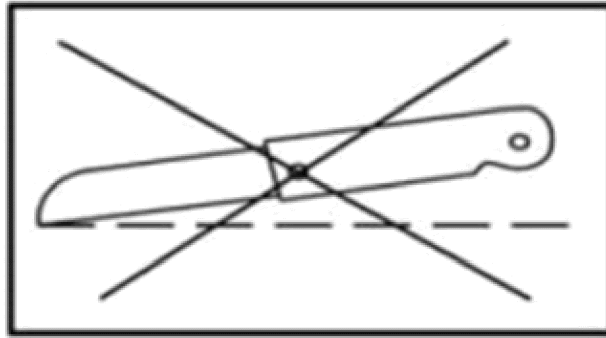


***EVE***

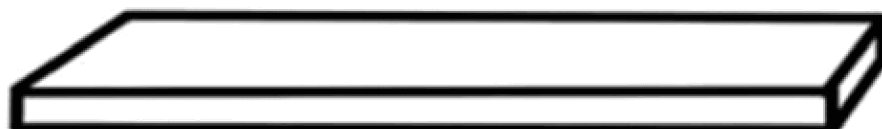
VI-2726

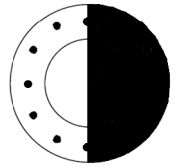
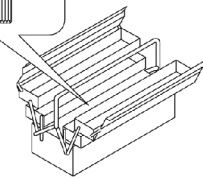
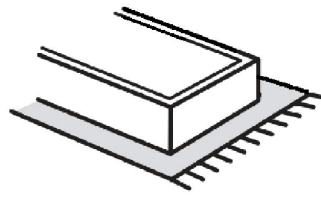
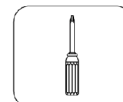
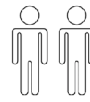
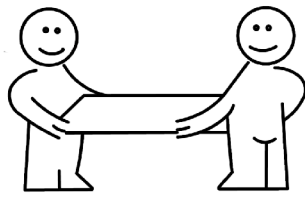


195 cm

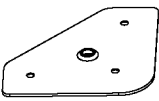

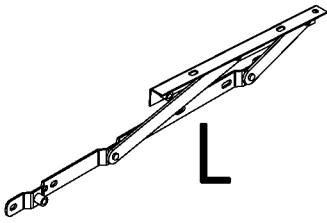
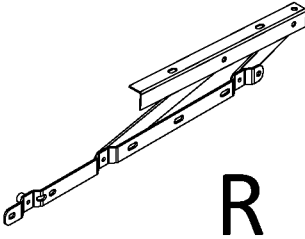
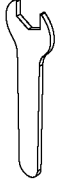



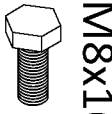

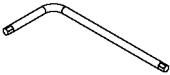
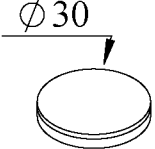
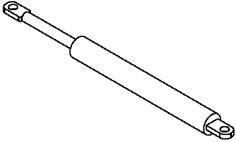
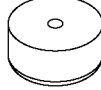

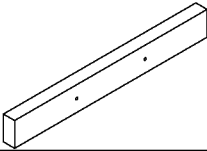

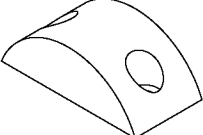
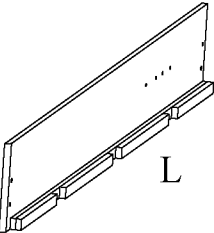
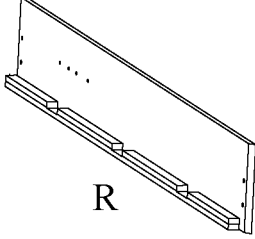
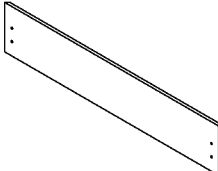
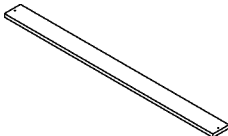
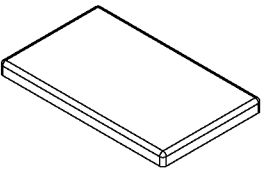
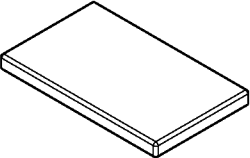
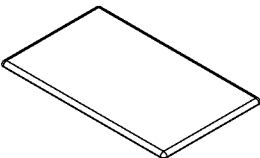
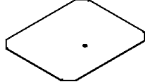
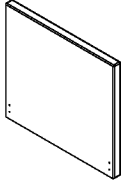


72h



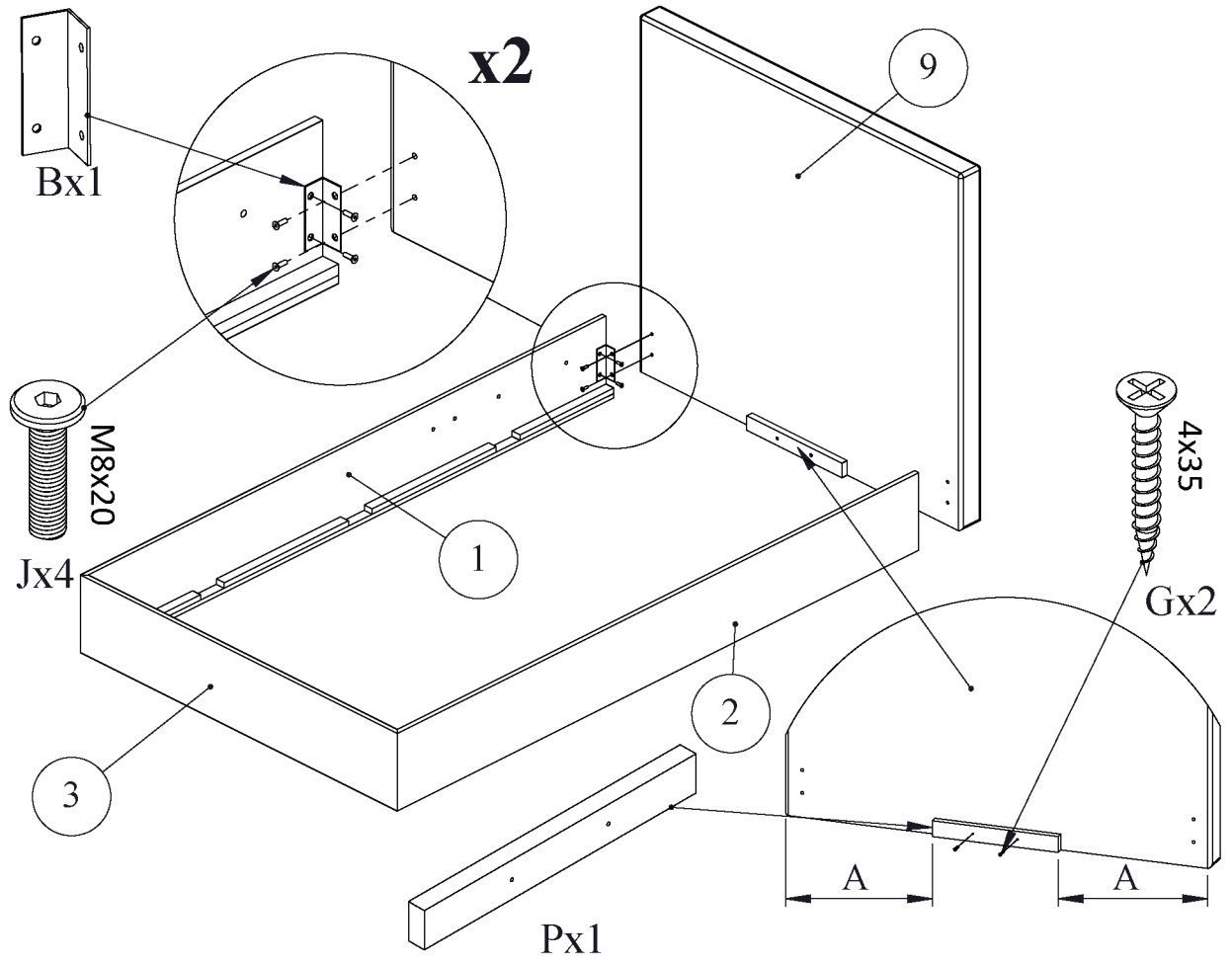
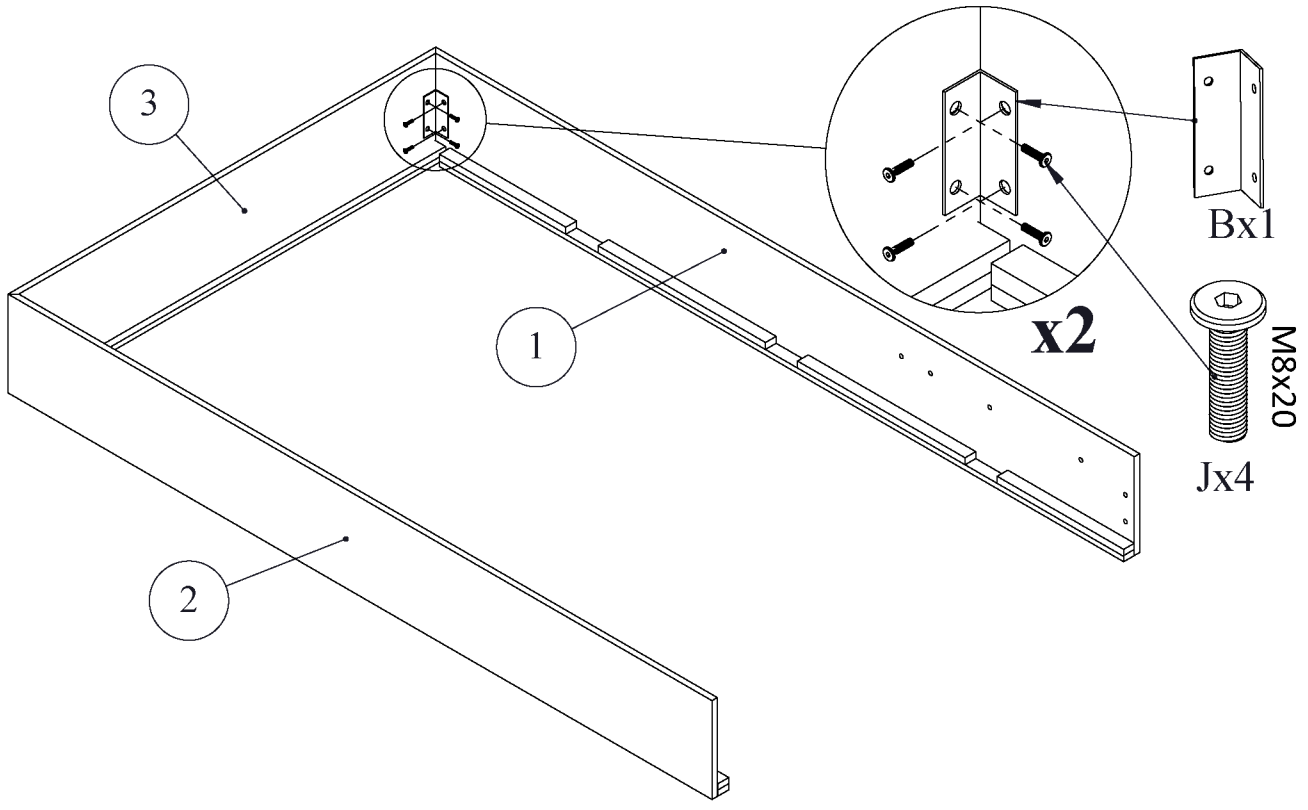


60 min

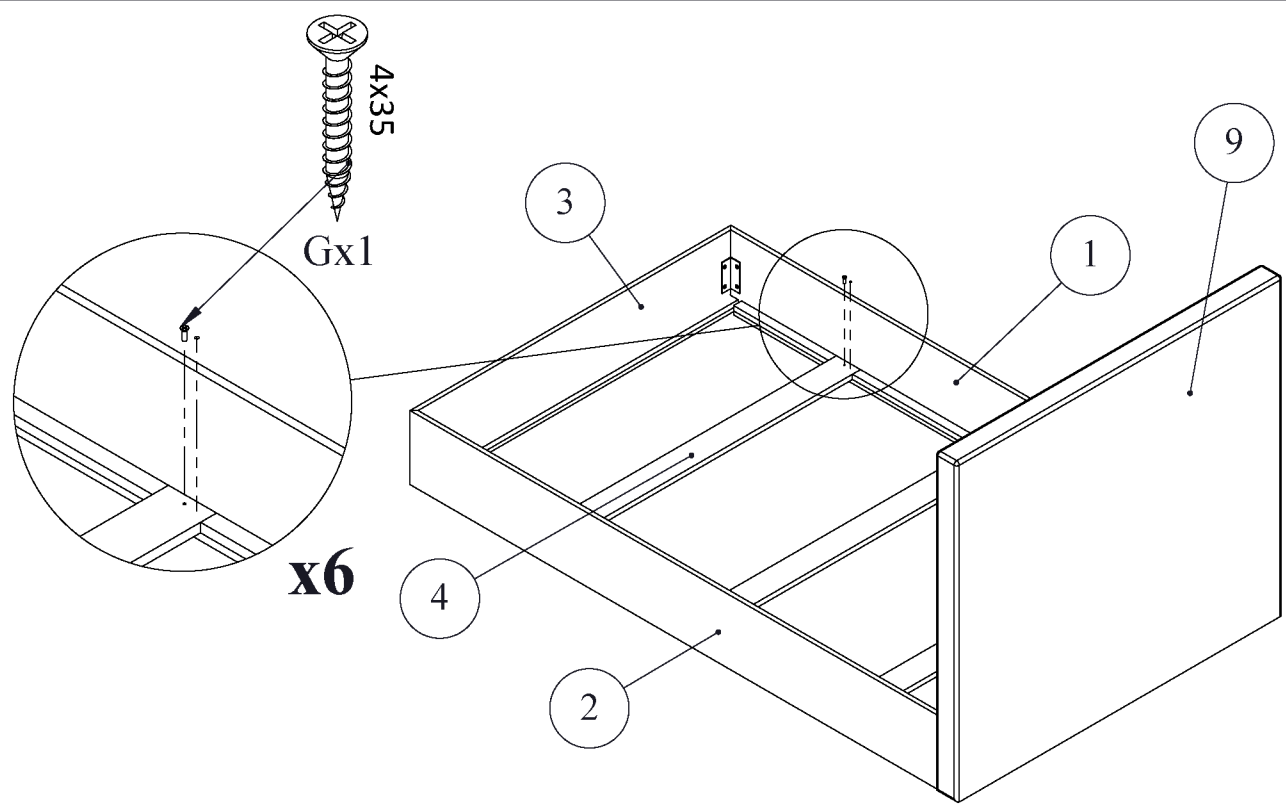
				
A x 4	B x 4	C x 1	D x 1	E x 1
				
F x 12	G x 12	H x 2	I x 4	J x 28
				
K x 1	L x 4	M x 2	N x 4	O x 2
				
P x 1	R x 8	S x 2		
				
1 x 1 (C1)	2 x 1 (C1)	3 x 1 (C1)	4 x 3 (C1)	5 x 1 (C2)
				
6 x 1 (C3)	7 x 1 (C4)	8 x 2 (C5)	9 x 1 (C5)	

# AUFBAUANLEITUNG XXXL

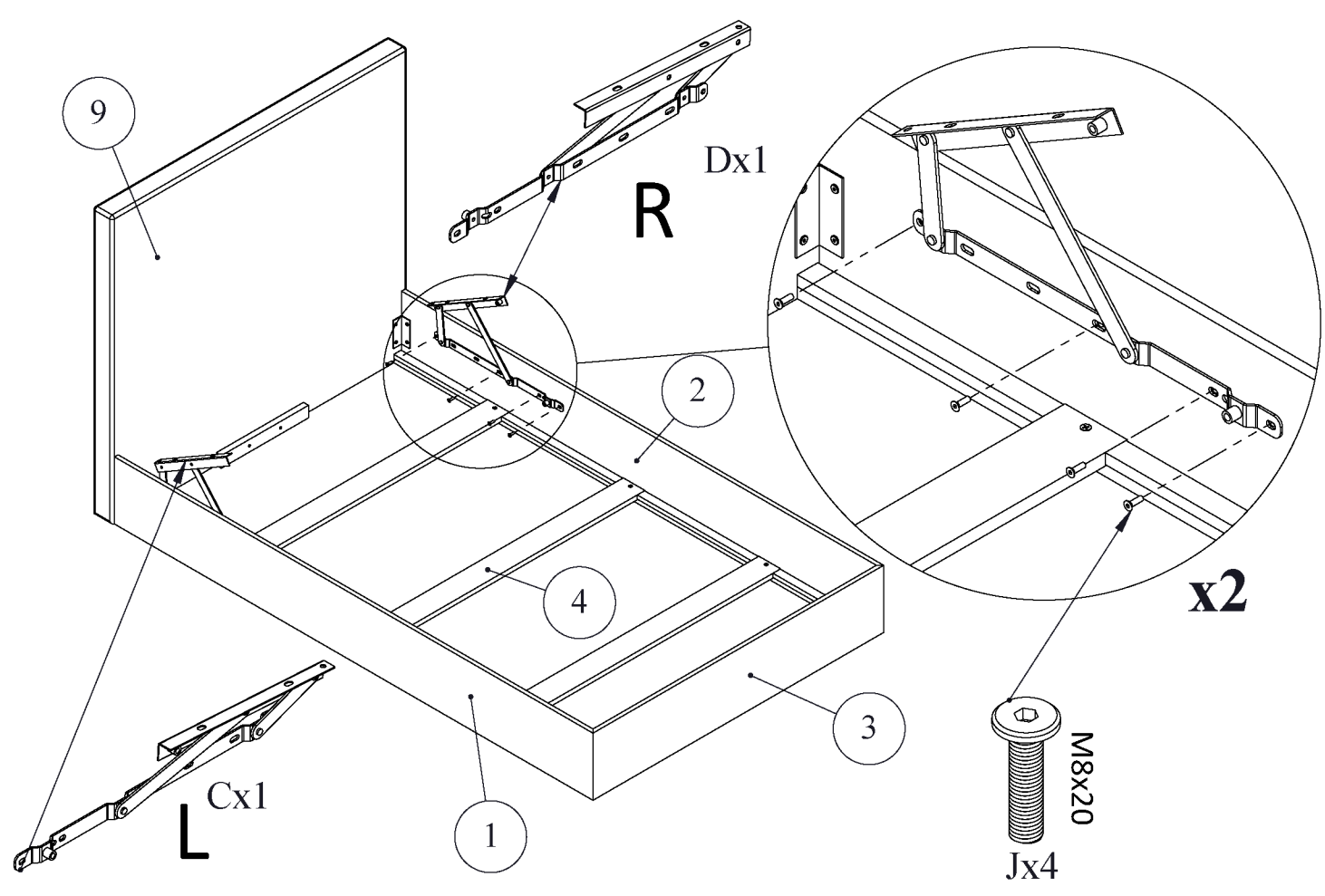
LIEF:1408

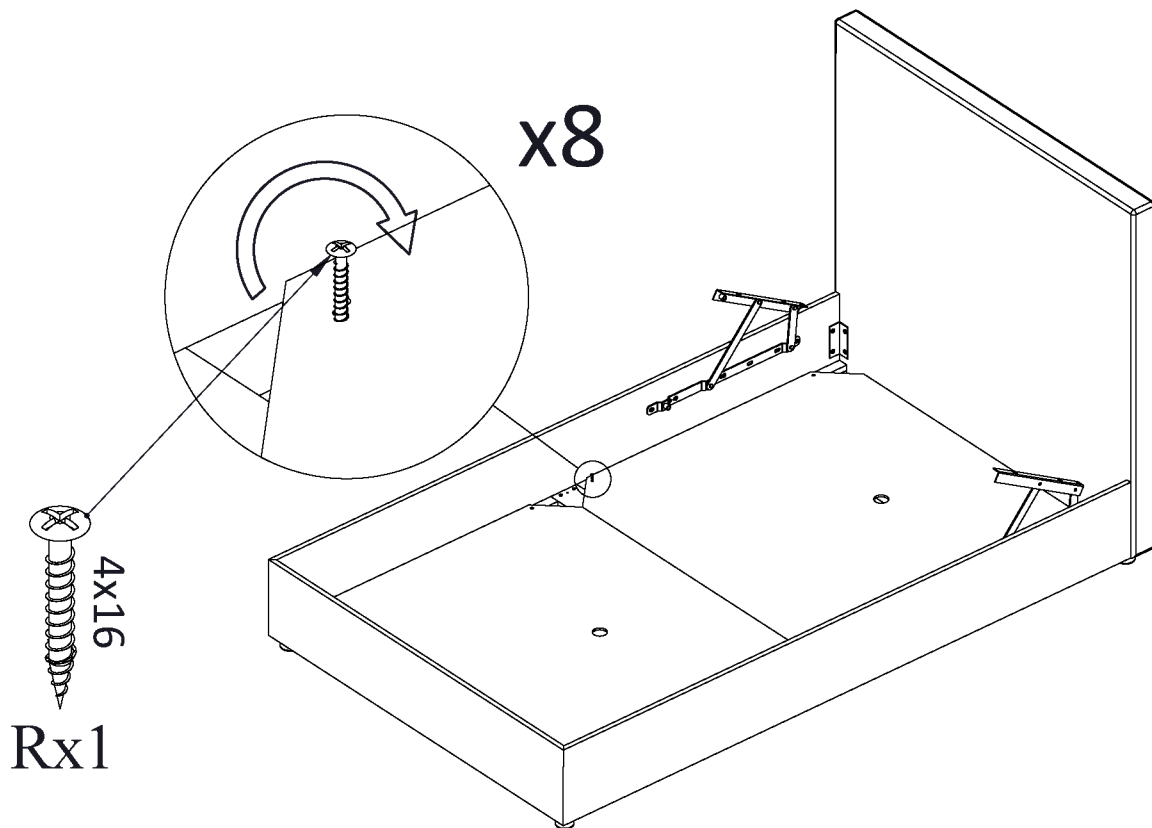
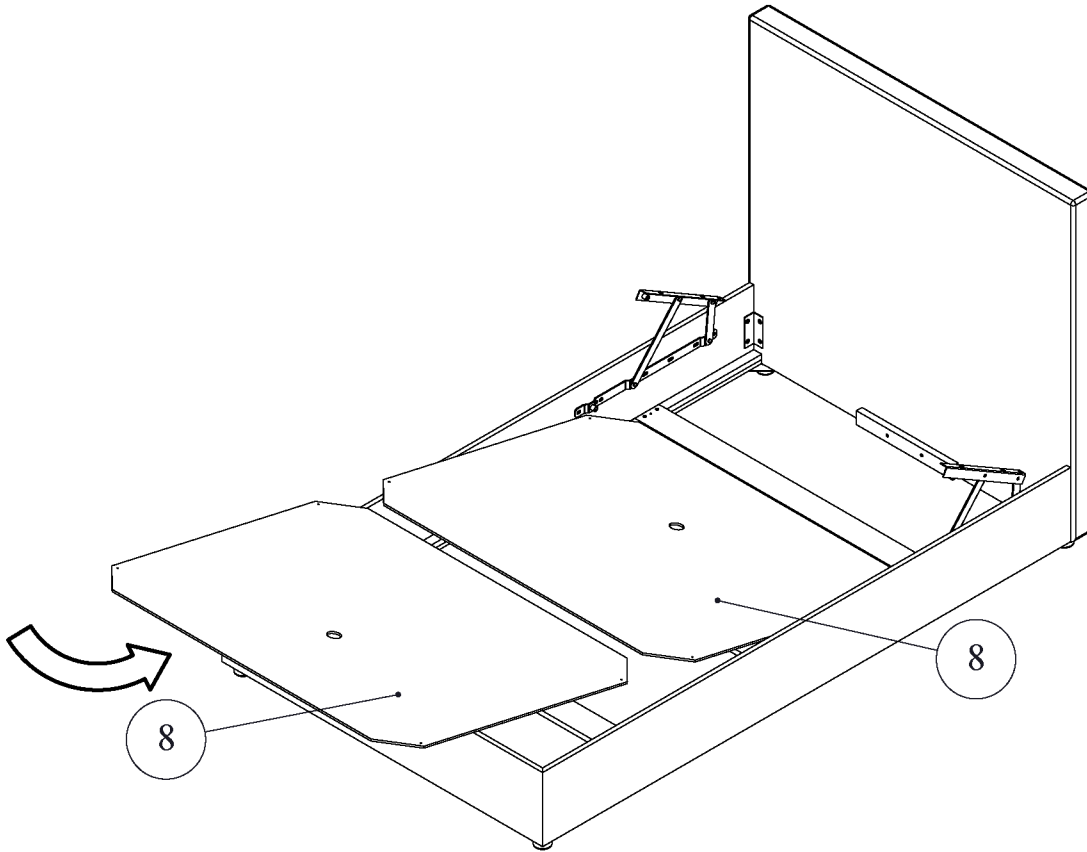


4x35  
Gx6

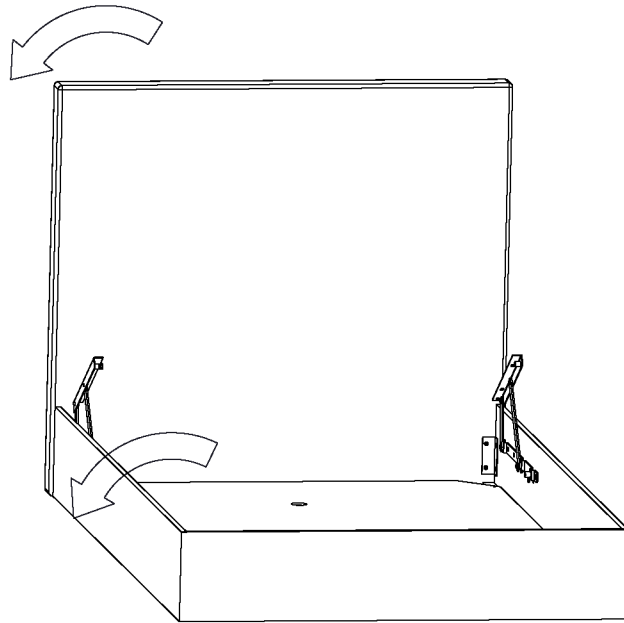


L Cx1    R Dx1    M8x20 Jx8    Kx1

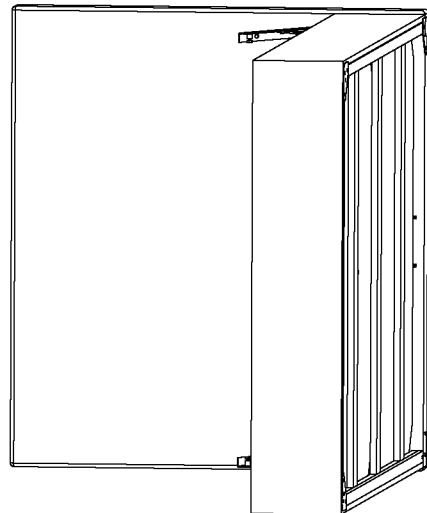




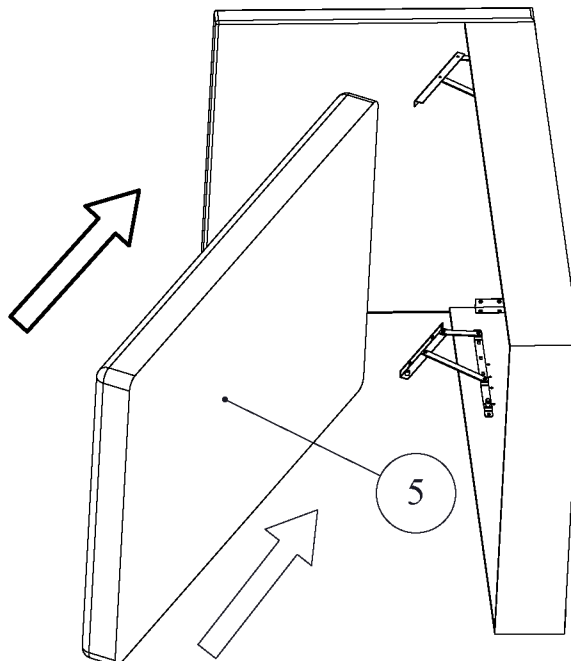
1.



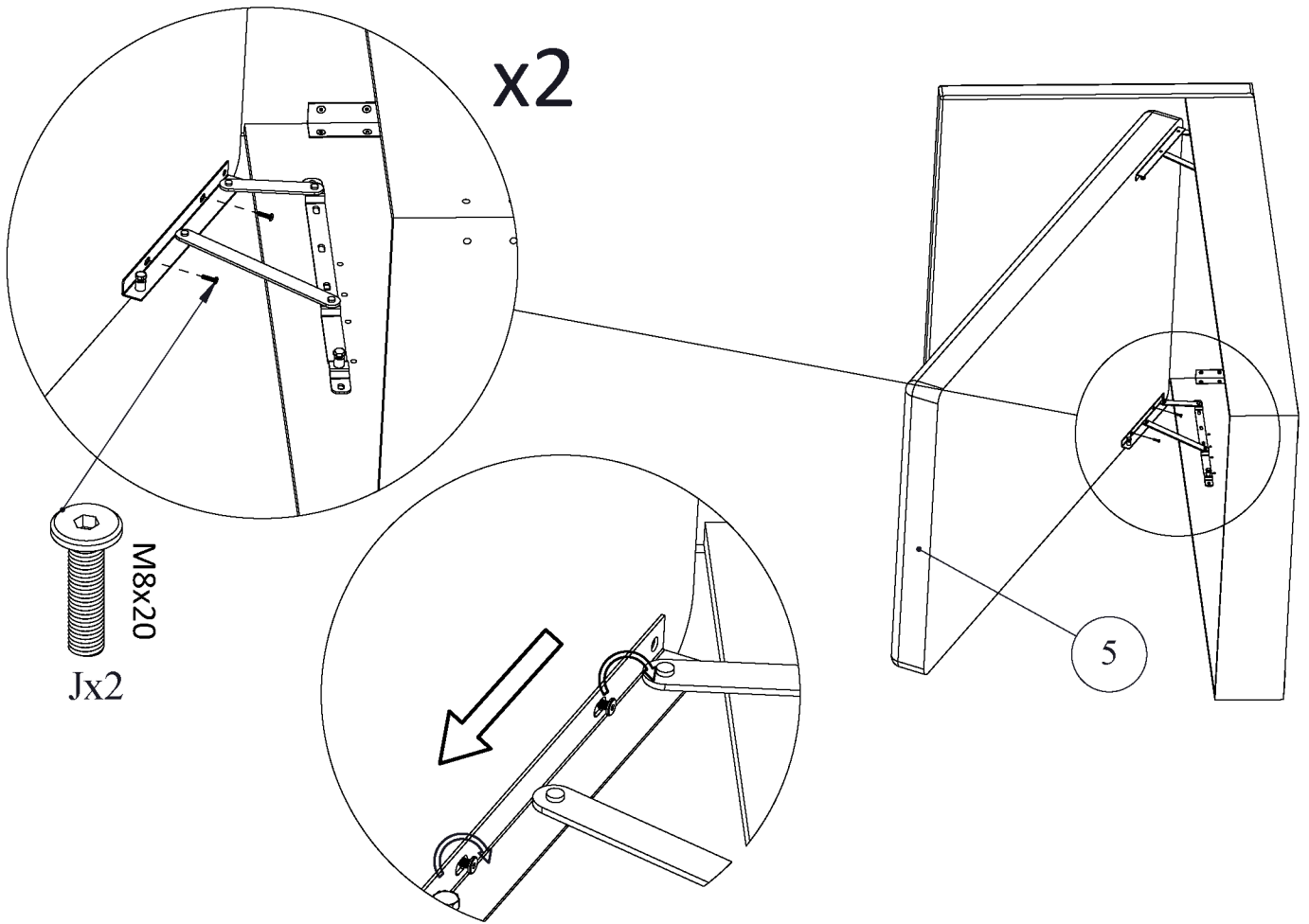
2.



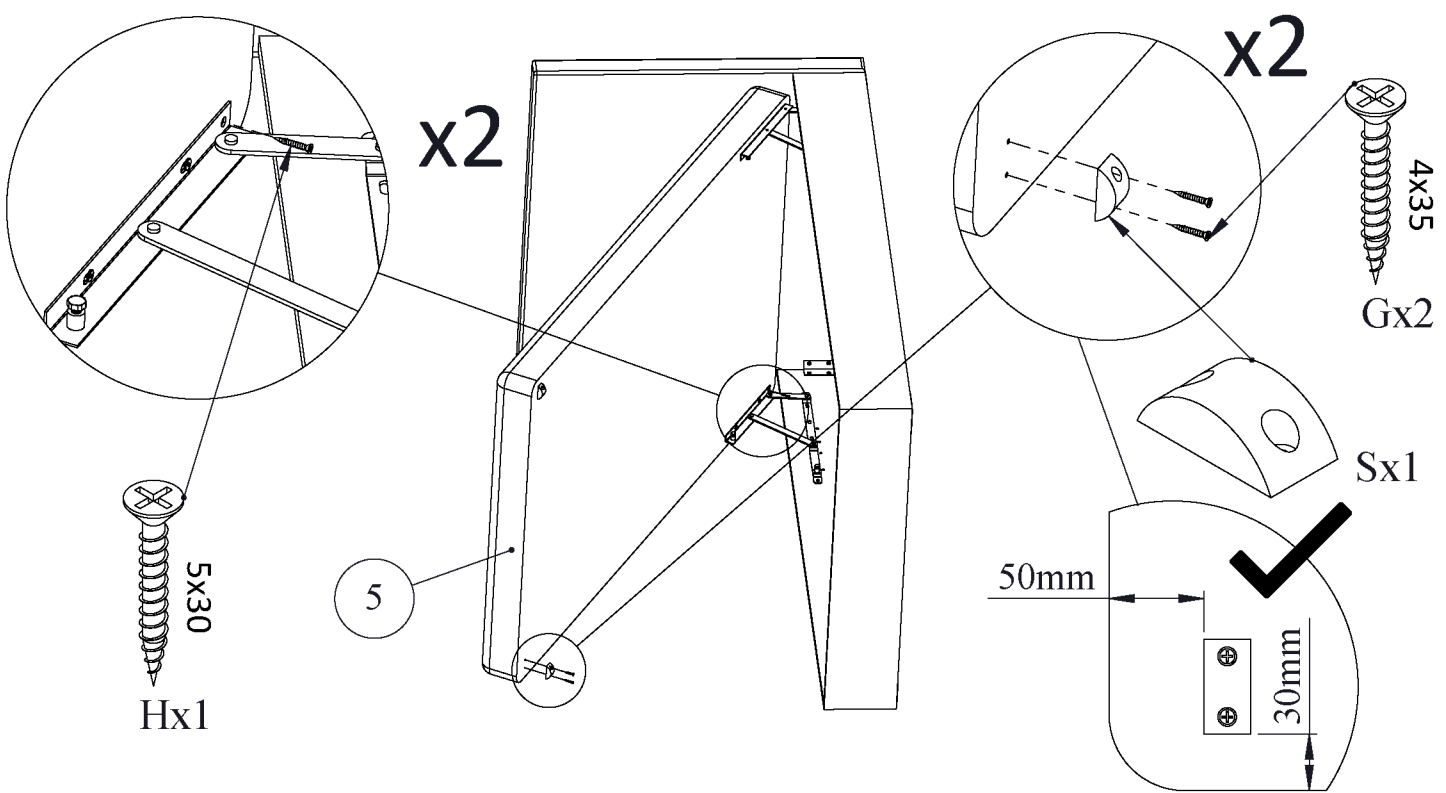
3.



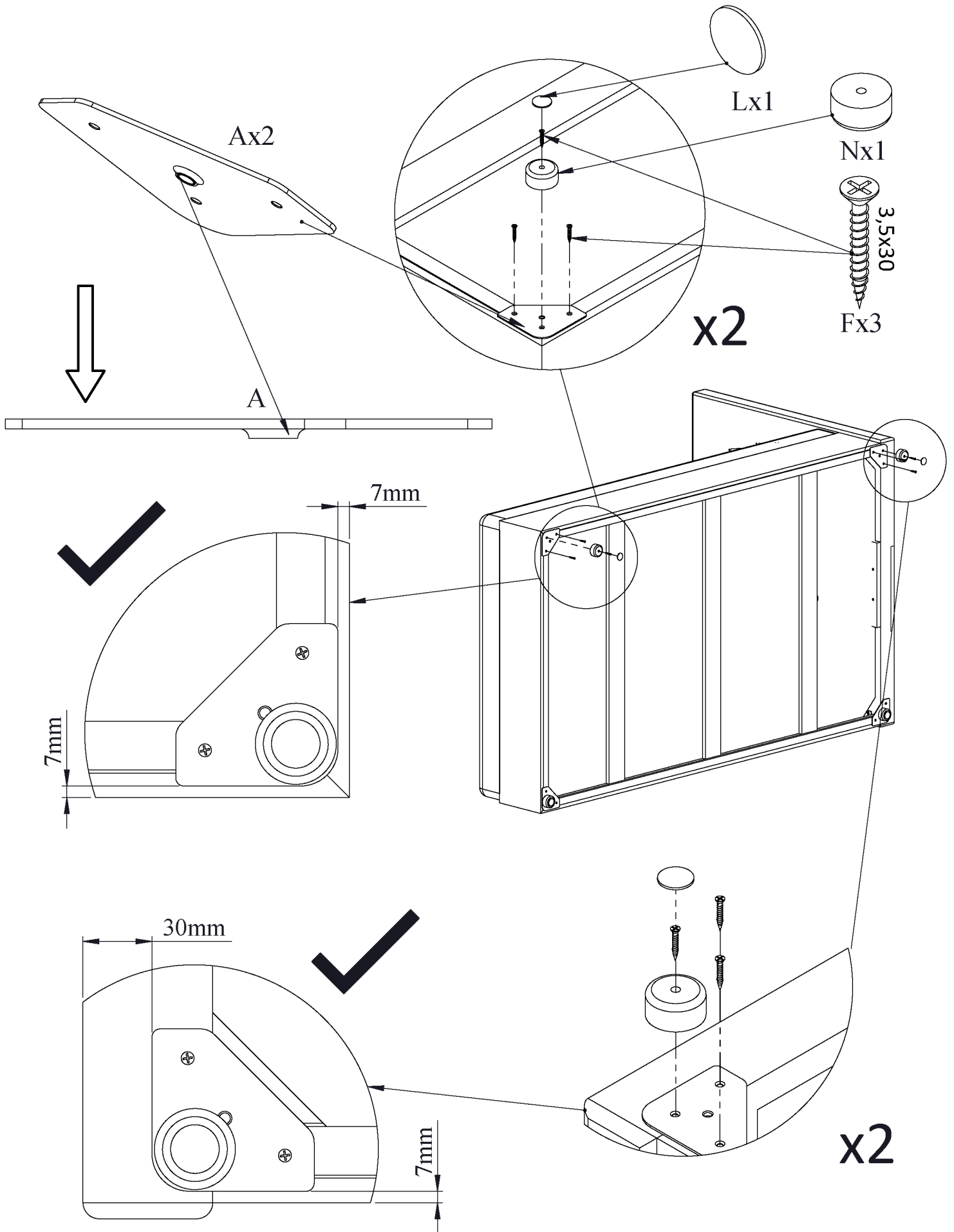
 M8x20 Jx4	 Kx1	8
--	---	---



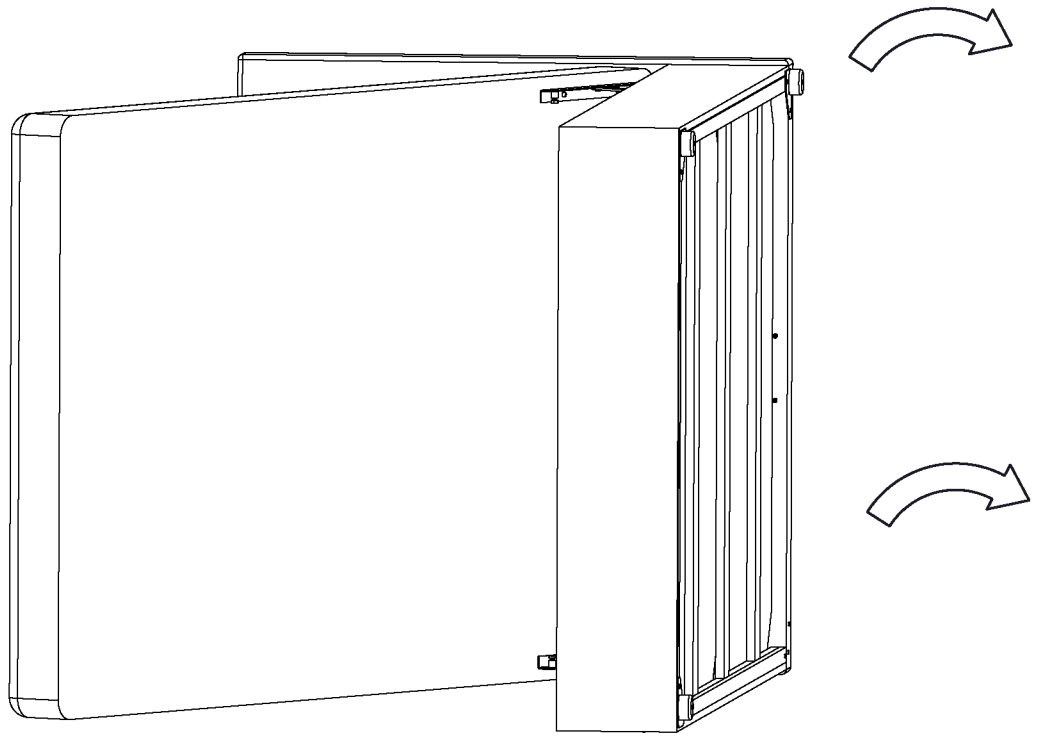
 5x30 Hx2	 4x35 Gx4	 Sx2
--	--	--







1.



2.

