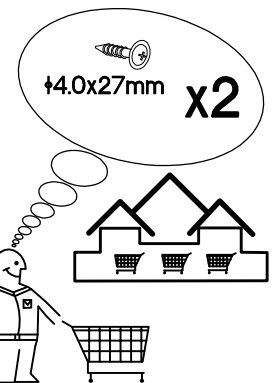
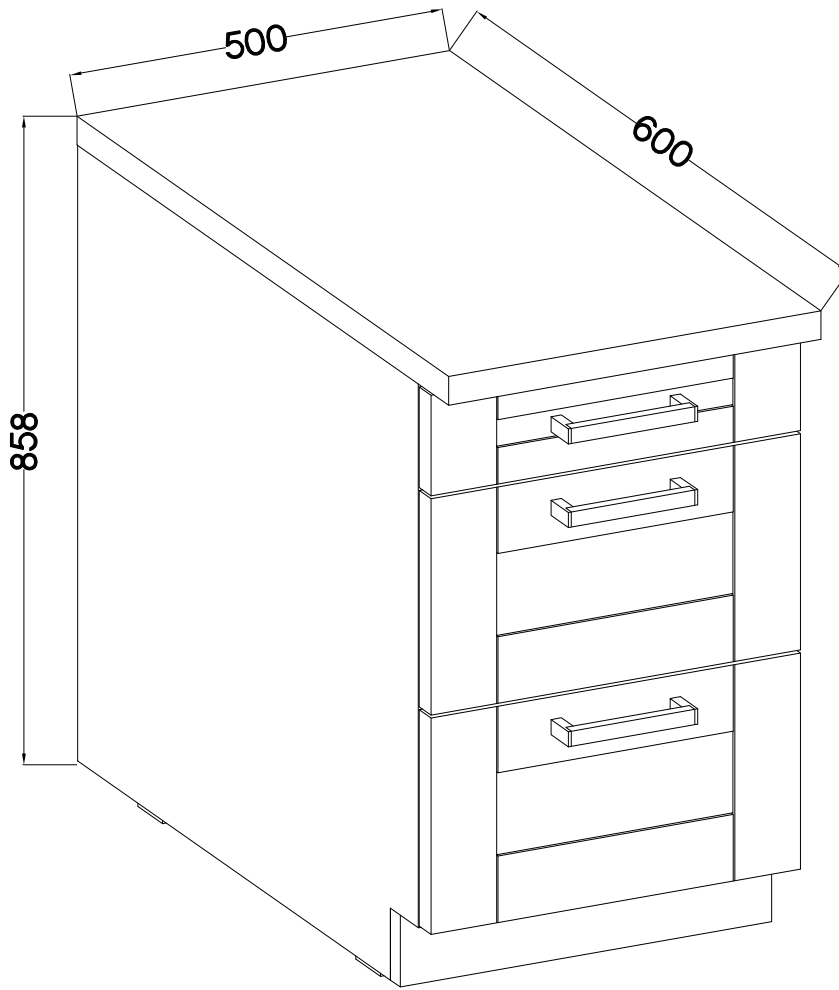


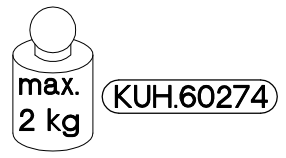
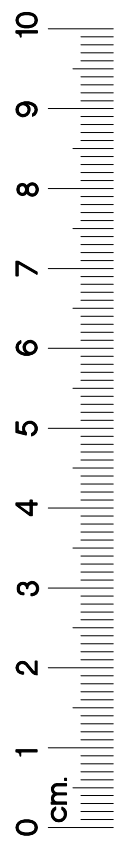
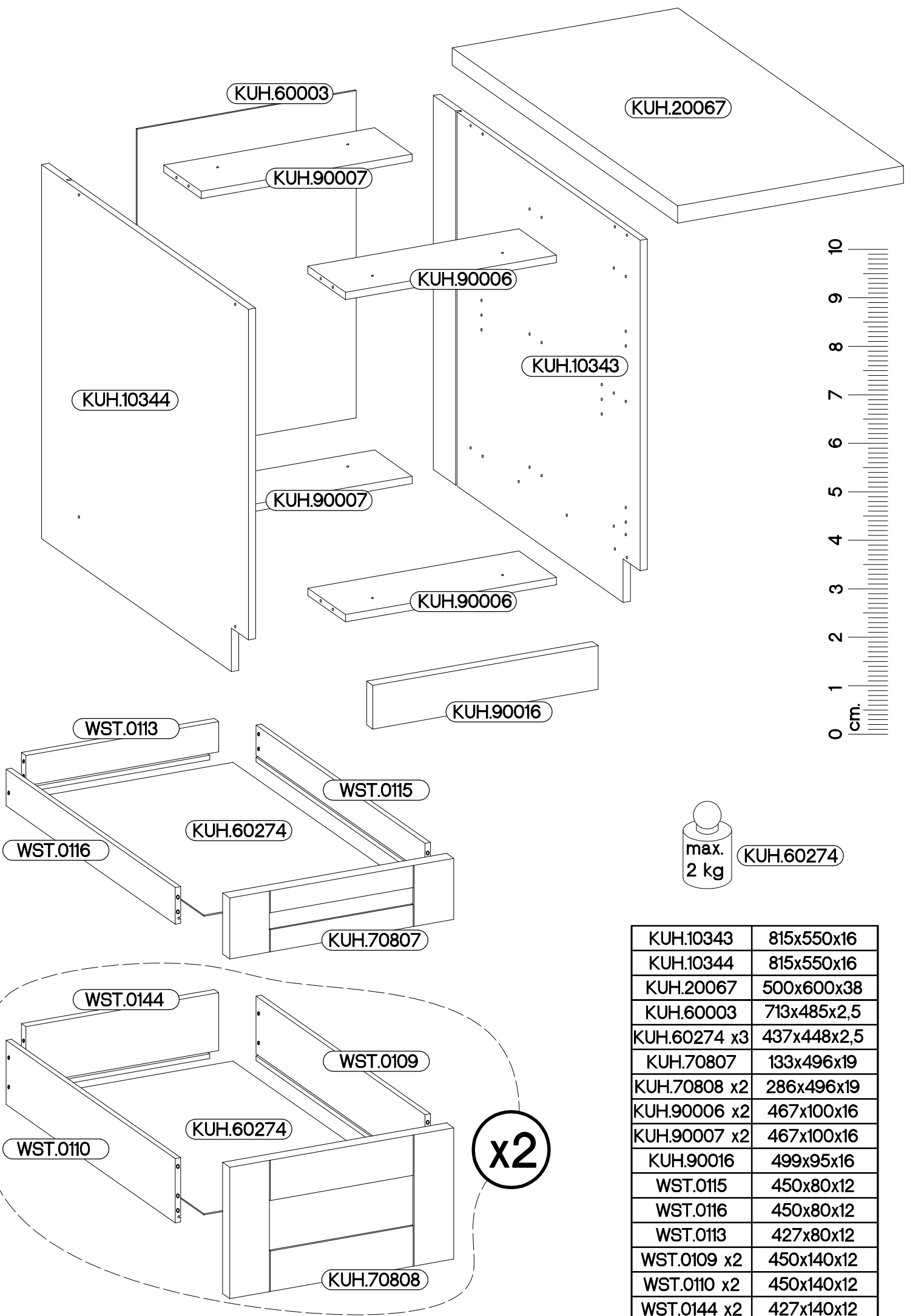
US2A 50

00020010-08




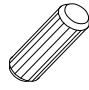
 #8x30mm A 20	 6,4 x 50mm B 8	 #6x42mm B2 10	 #12/10mm C5 6	 L=20mm D2 6	 E1 8	 E9 2	 6.5x48x16 F2 4	 L=450mm I1 3	 L 6	 #6.3x13mm M2 24	 O 1	 #4.0x45mm P4 2	 #3.5x13mm P5 4
 #3.0x20mm P7 14	 #4.0x35mm R3 4	 S 3	 T15 2	 8x20x100mm T14 2	 M4x22mm U 2	 M4x27mm U8 4							

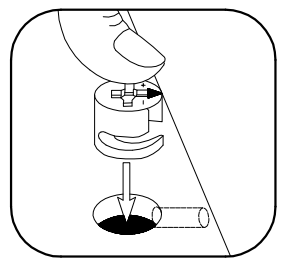
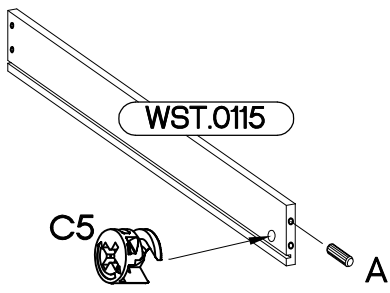
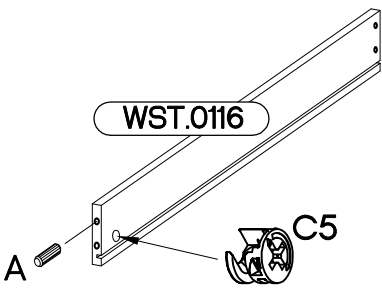
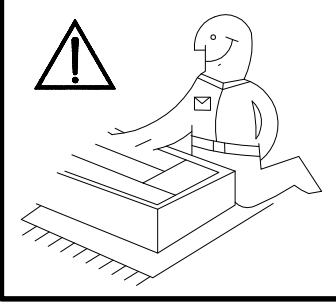
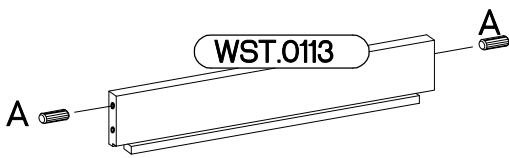
ISM-KUH-01247




KUH.10343	815x550x16
KUH.10344	815x550x16
KUH.20067	500x600x38
KUH.60003	713x485x2,5
KUH.60274 x3	437x448x2,5
KUH.70807	133x496x19
KUH.70808 x2	286x496x19
KUH.90006 x2	467x100x16
KUH.90007 x2	467x100x16
KUH.90016	499x95x16
WST.0115	450x80x12
WST.0116	450x80x12
WST.0113	427x80x12
WST.0109 x2	450x140x12
WST.0110 x2	450x140x12
WST.0144 x2	427x140x12

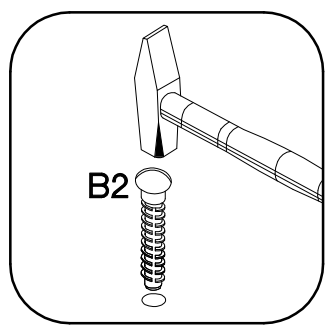
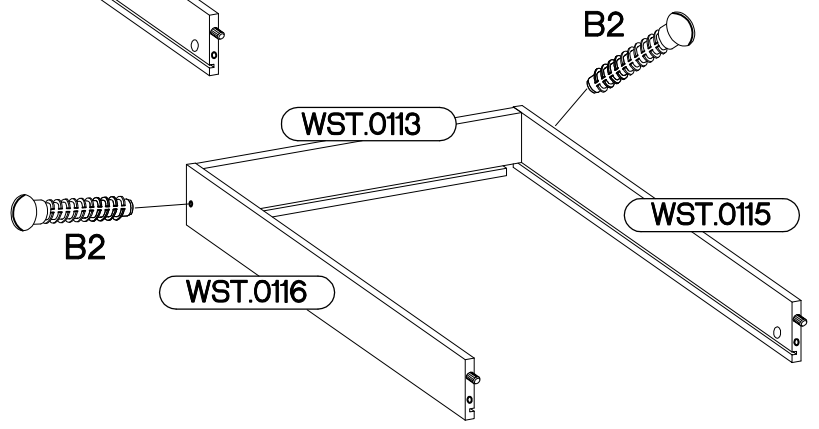
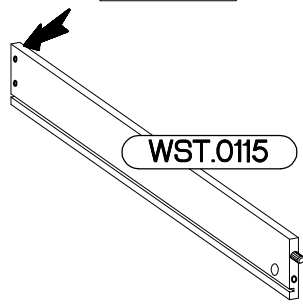
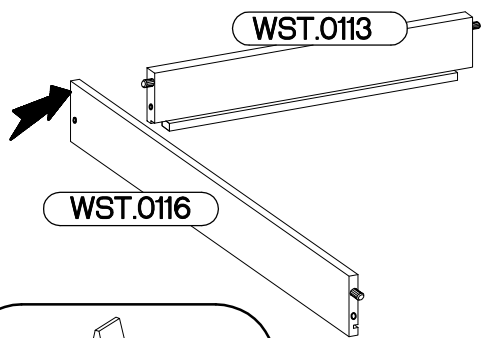
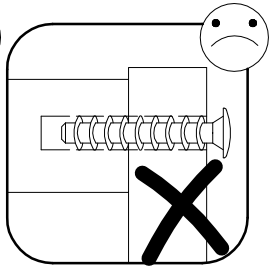
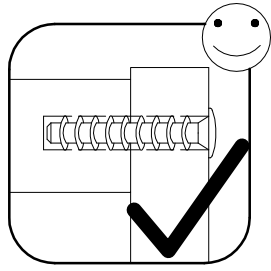
1

<p>±12/10mm</p>  <p>C5</p> <p>2</p>	<p>±8x30mm</p>  <p>A</p> <p>4</p>
---	---




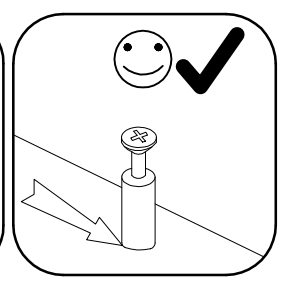
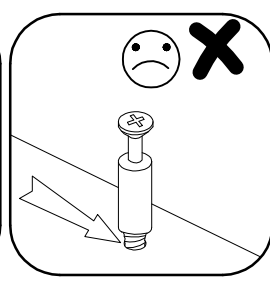
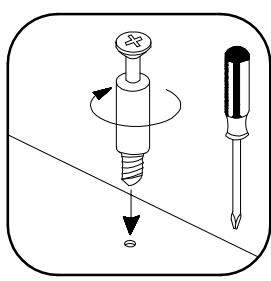
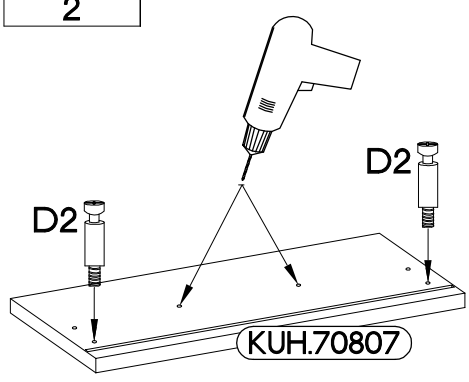
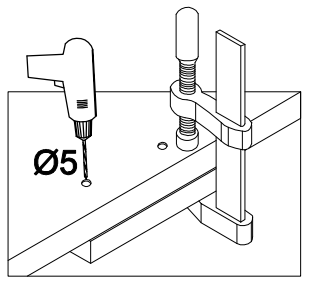
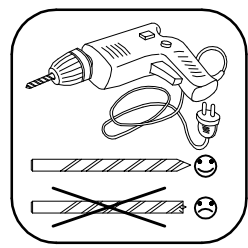
2

<p>±6x42mm</p>  <p>B2</p> <p>2</p>

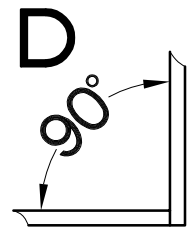
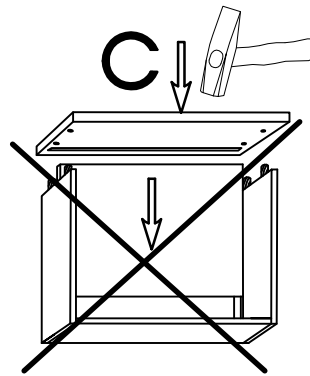
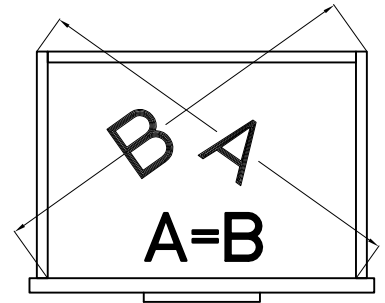
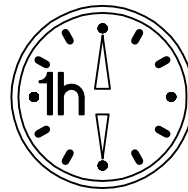
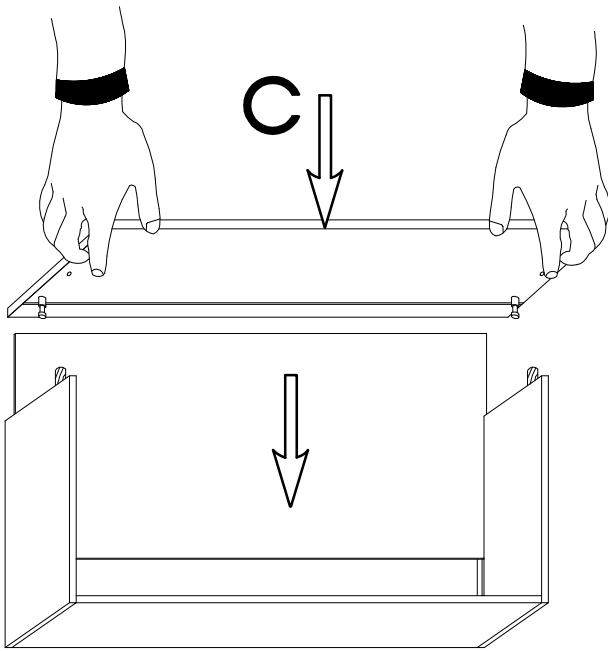
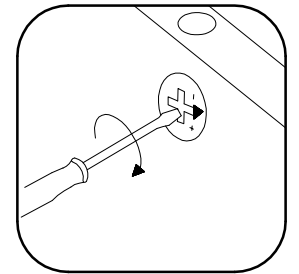
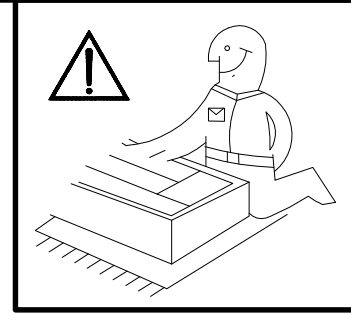
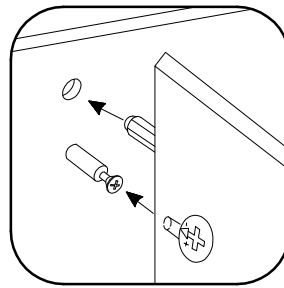
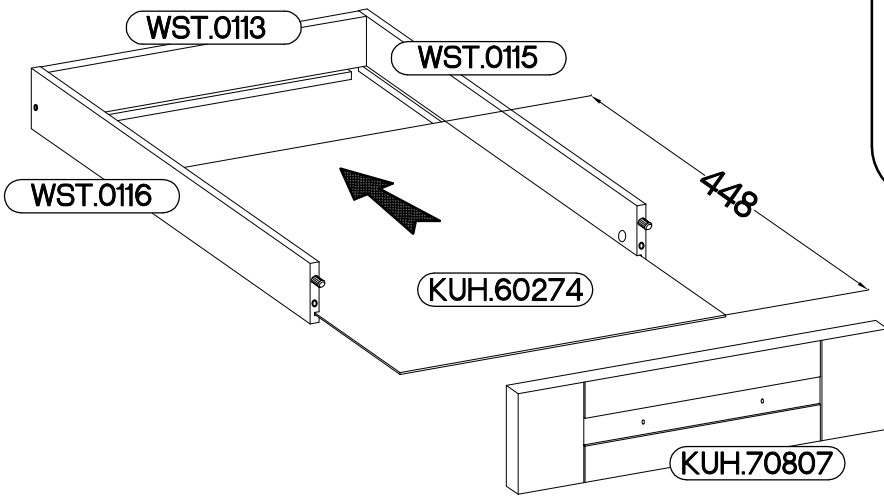


3

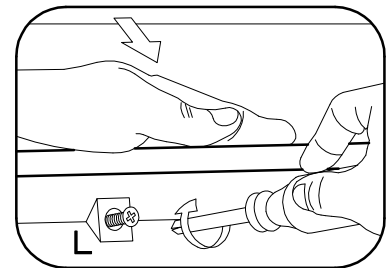
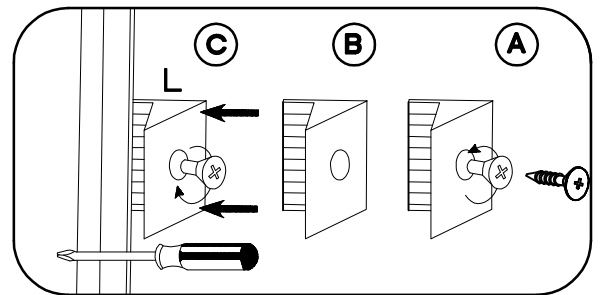
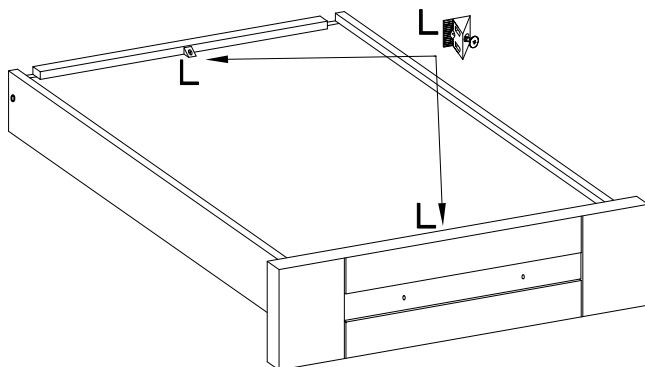
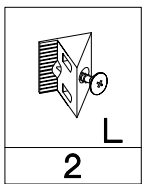
<p>L=20mm</p>  <p>D2</p> <p>2</p>
--




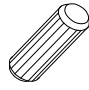
4



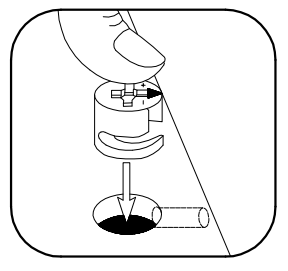
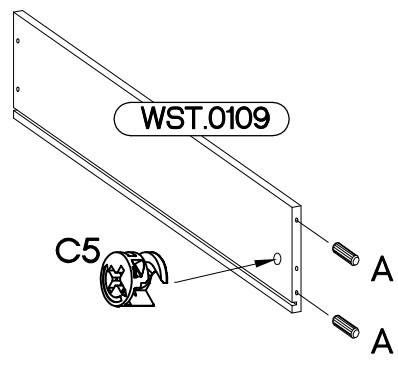
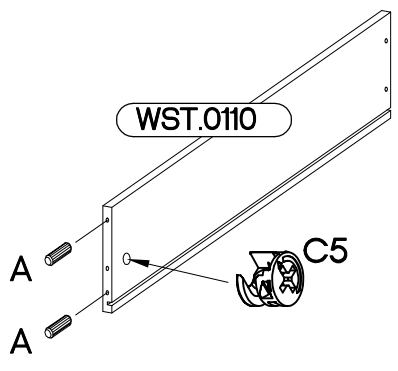
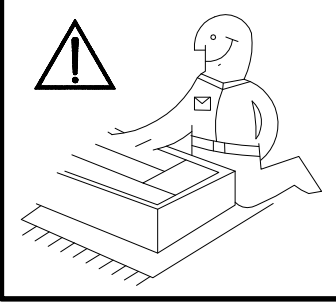
5




6

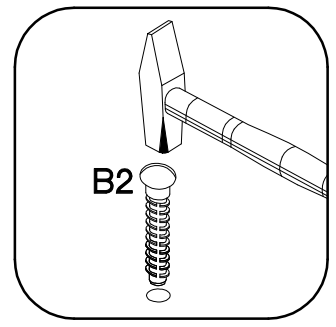
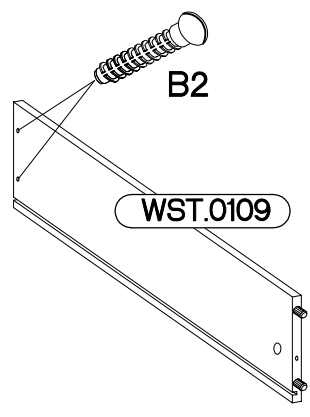
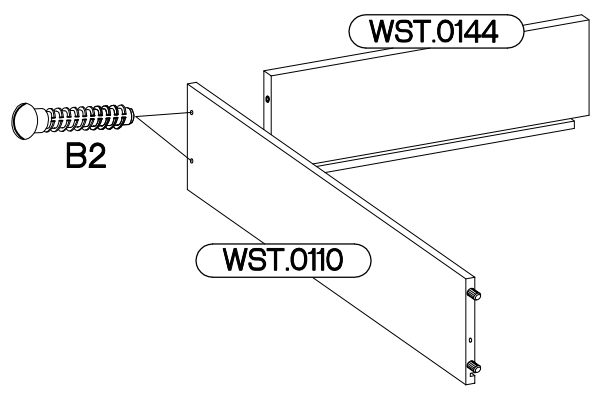
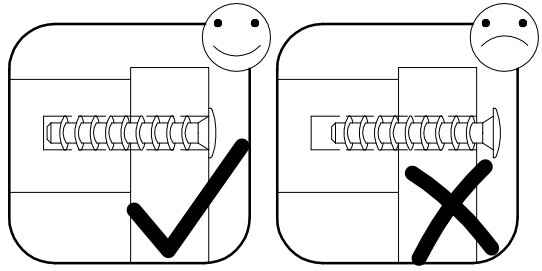
#12/10mm  C5 4	#8x30mm  A 8
---	---

x2



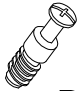
7

#6x42mm  B2 8

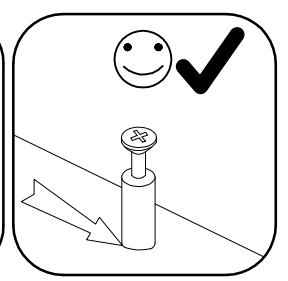
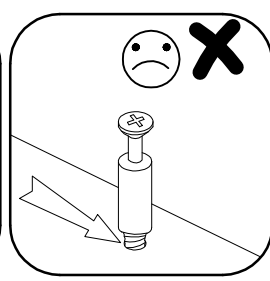
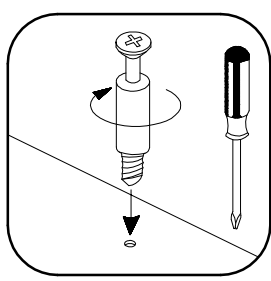
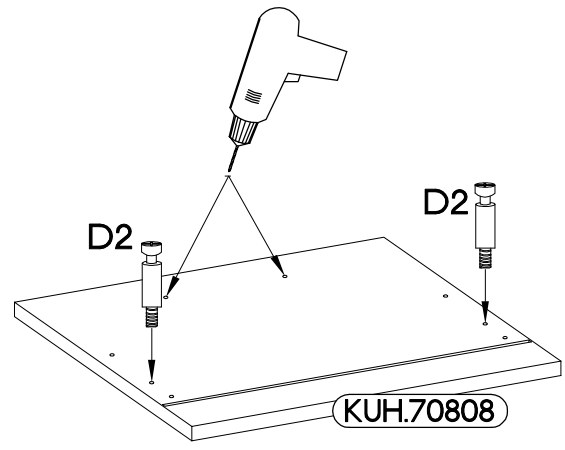
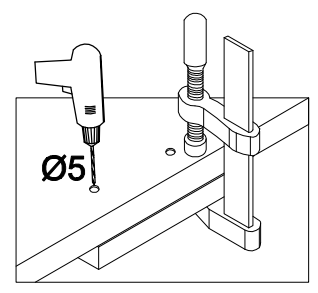
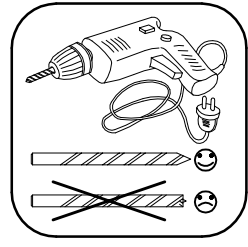


x2

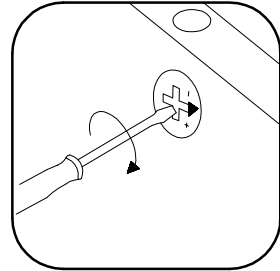
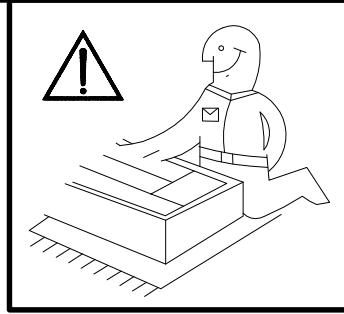
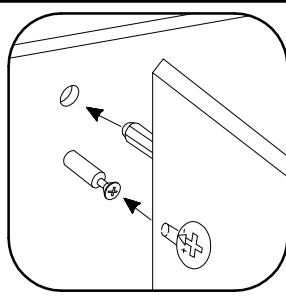
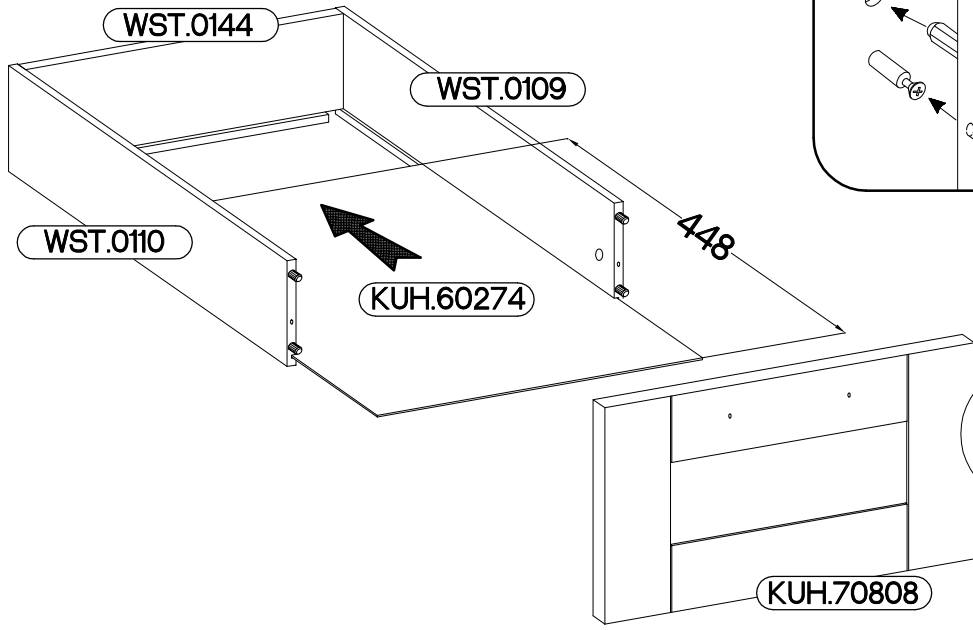
8

L=20mm  D2 4
--

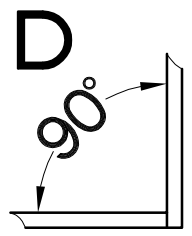
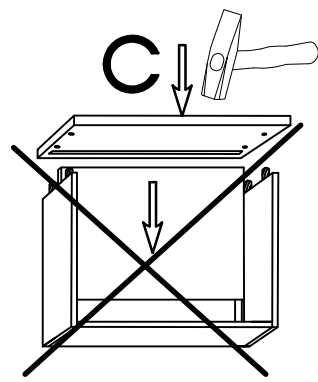
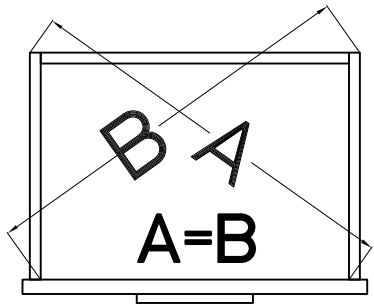
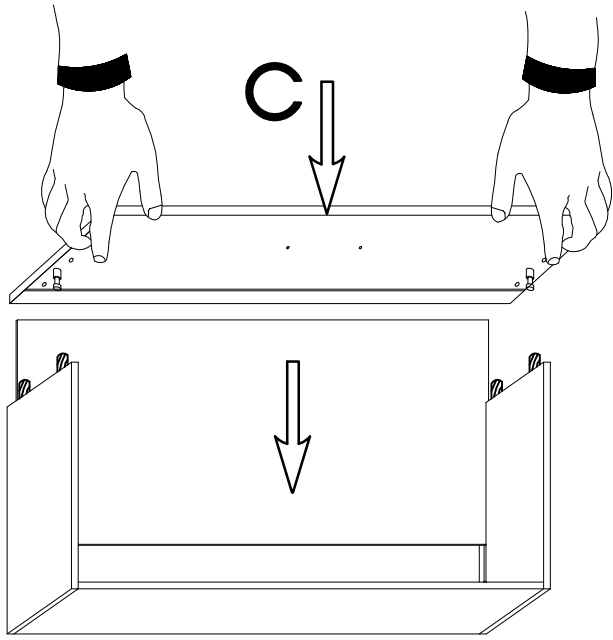
x2



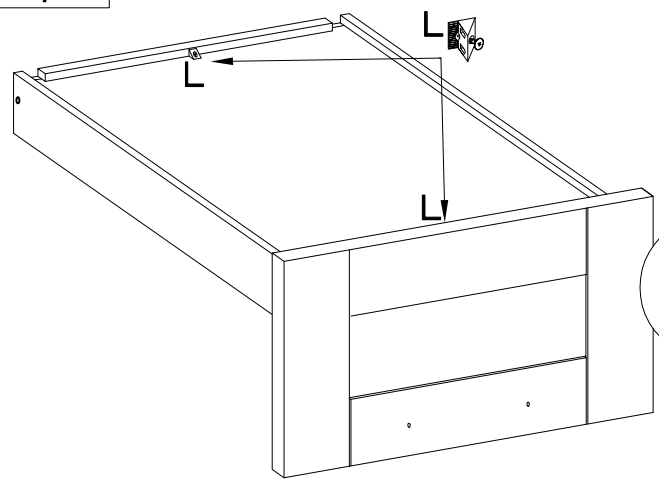
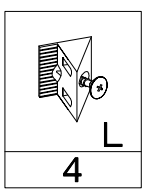
9



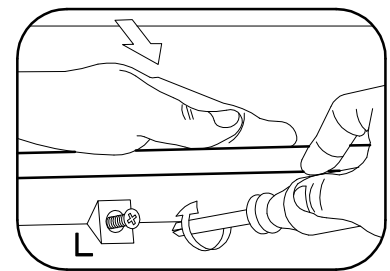
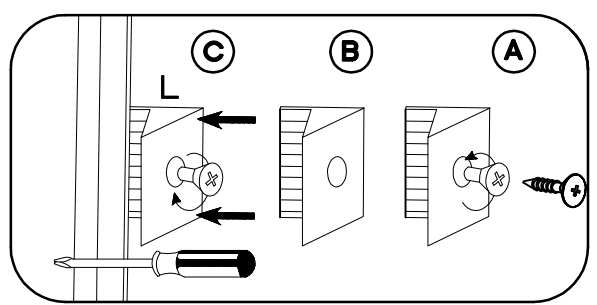
x2



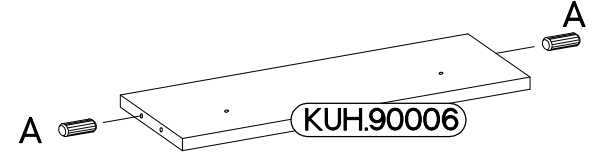
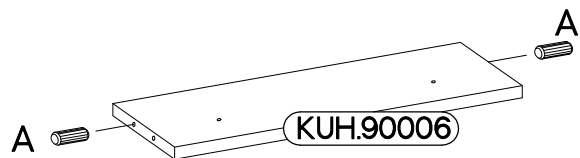
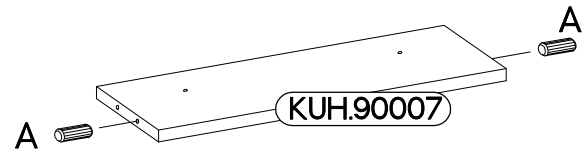
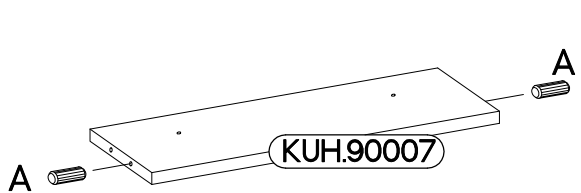
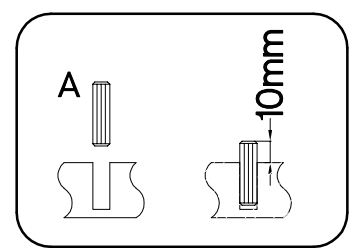
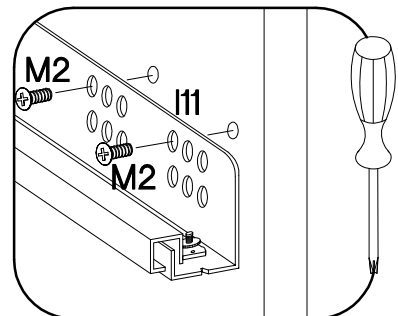
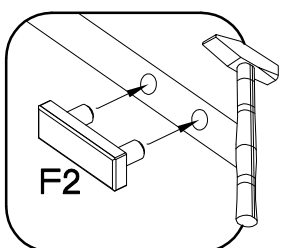
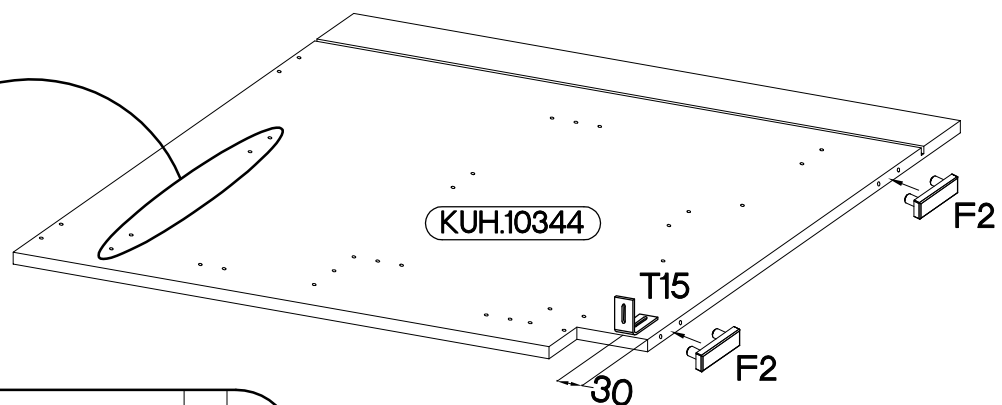
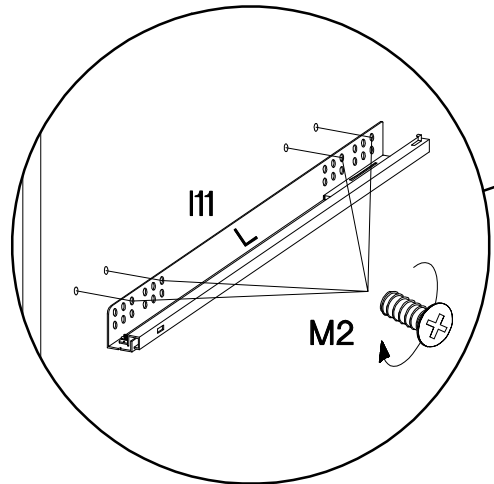
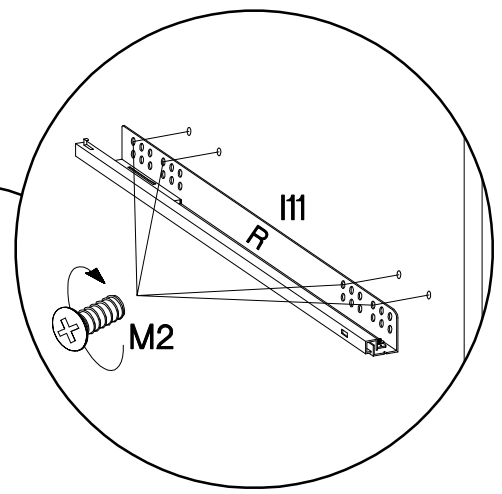
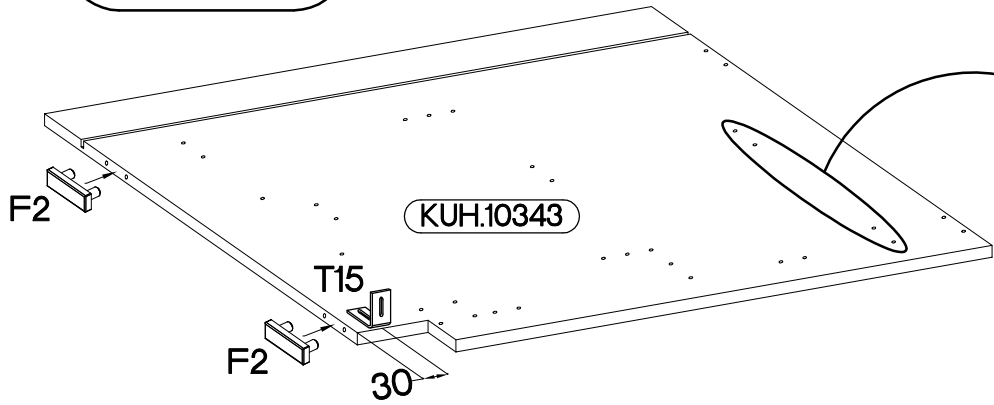
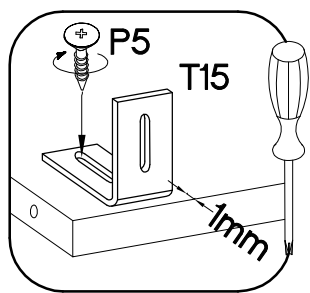
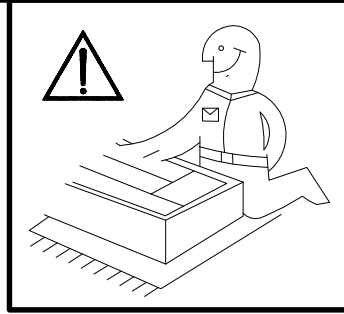
5



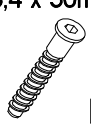
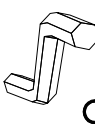
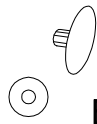
x2

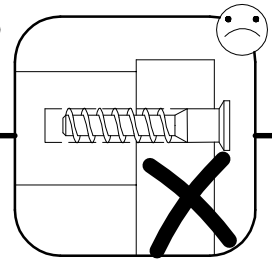
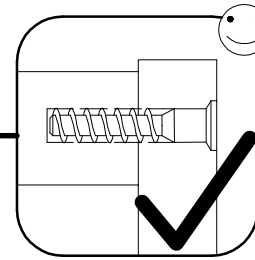
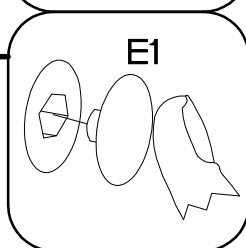
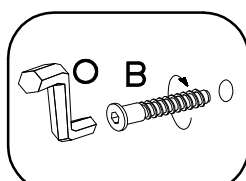
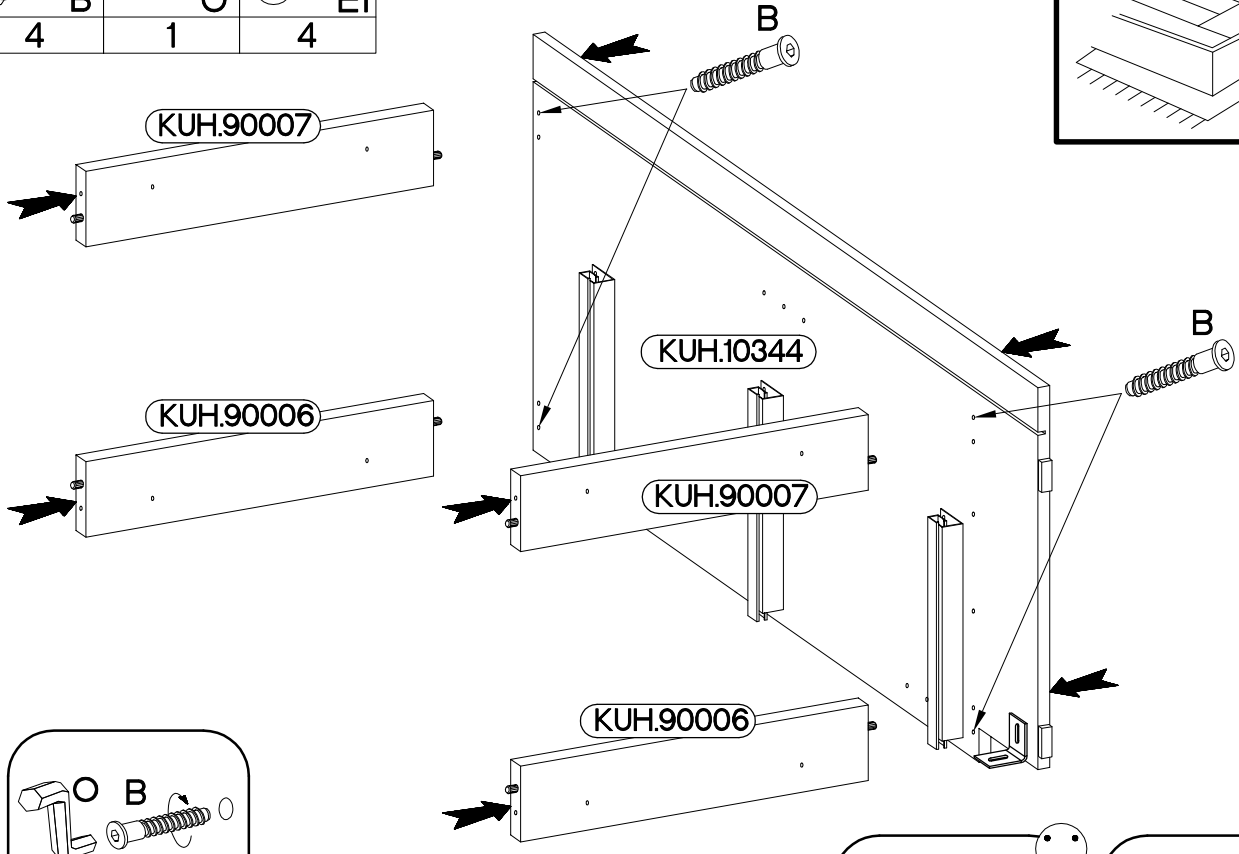
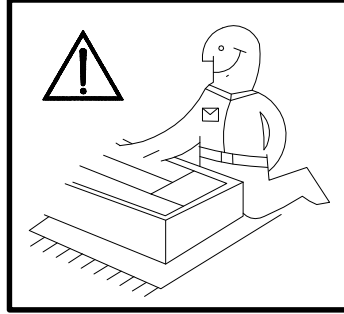


6.5x48x16 F2 4	∅8x30mm A 8	L L=450mm I11 3	∅6.3x13mm M2 24	∅3.5x13mm P5 2	T15 2
----------------------	-------------------	--------------------------	-----------------------	----------------------	----------

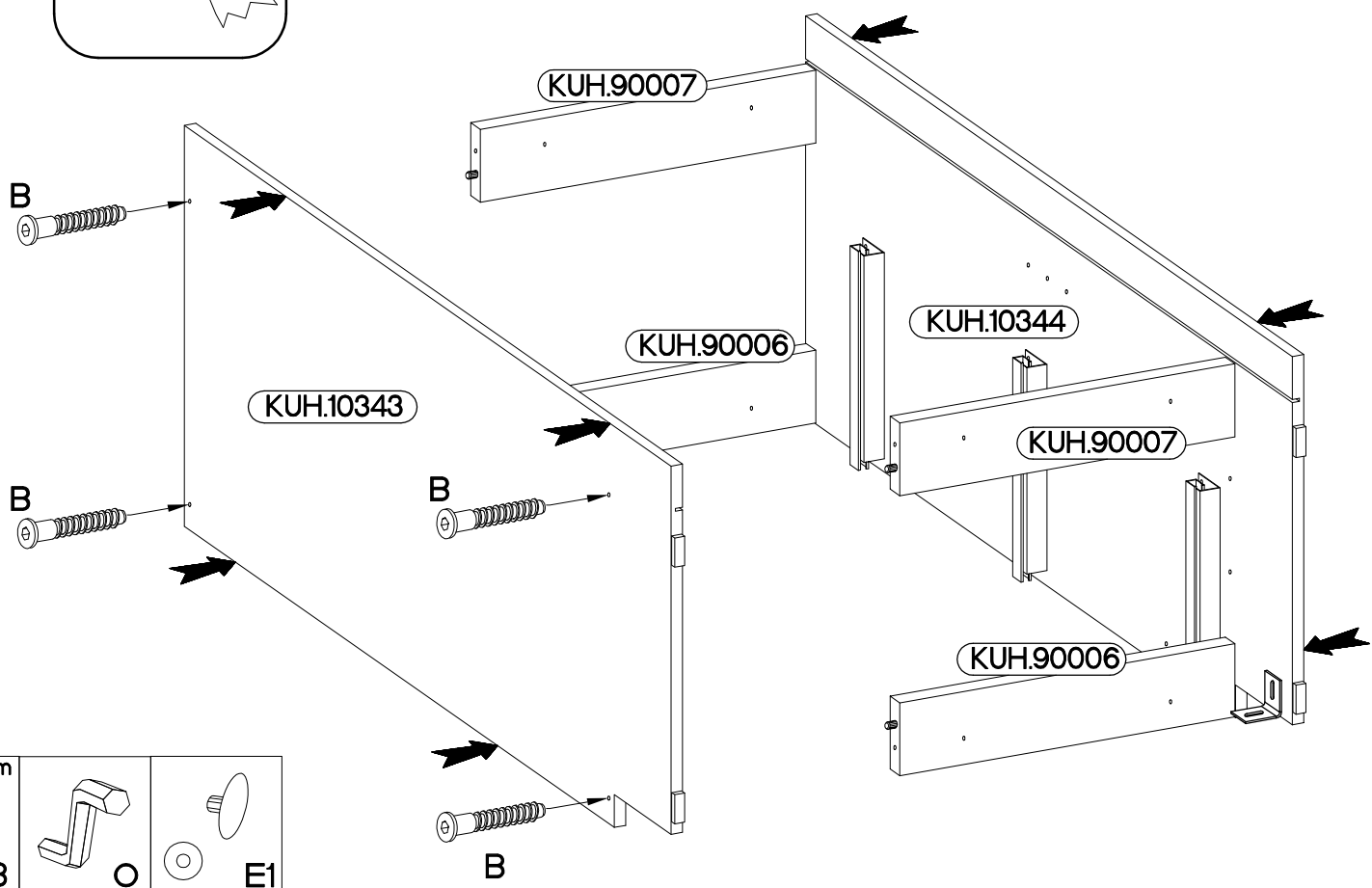



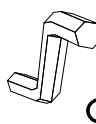

12

6,4 x 50mm		
		
B	O	E1
4	1	4

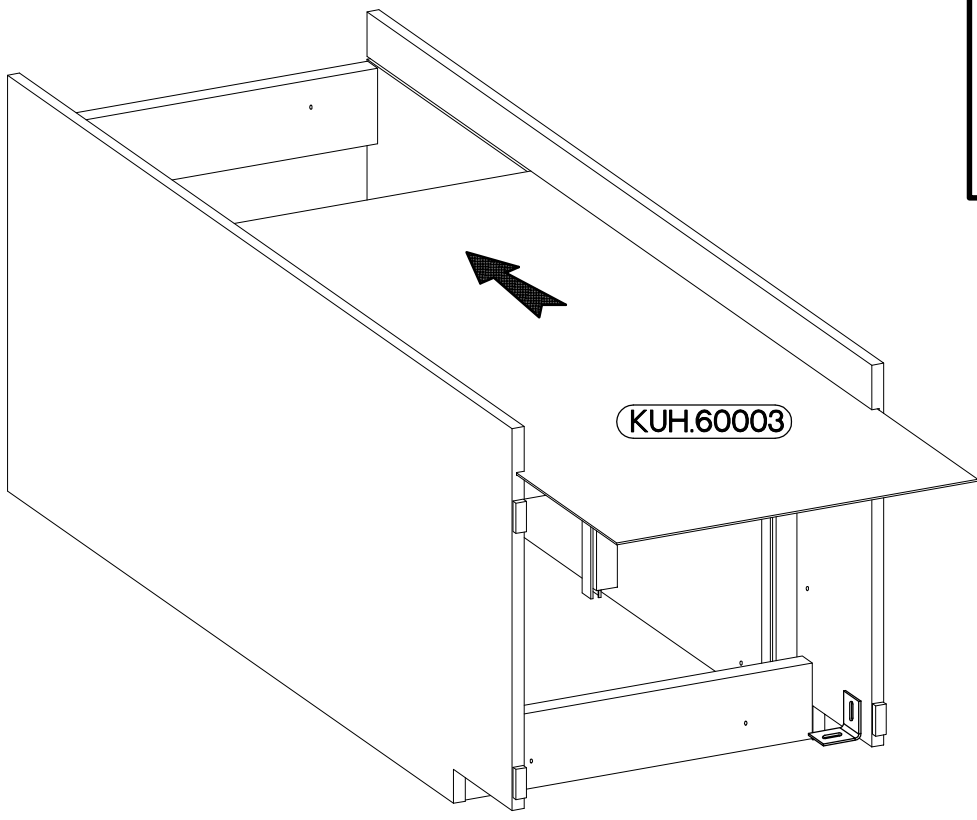
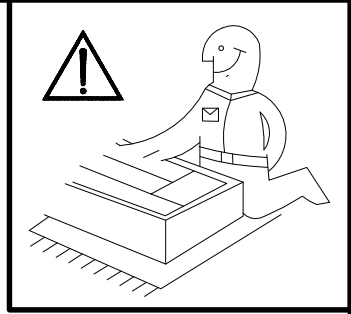


13

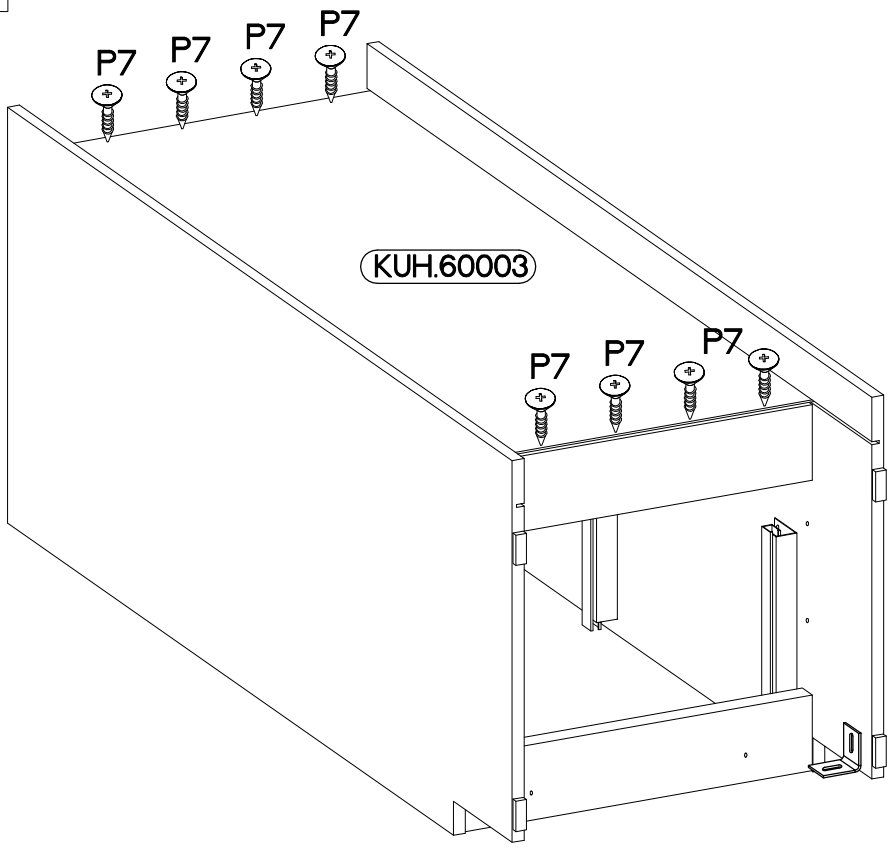
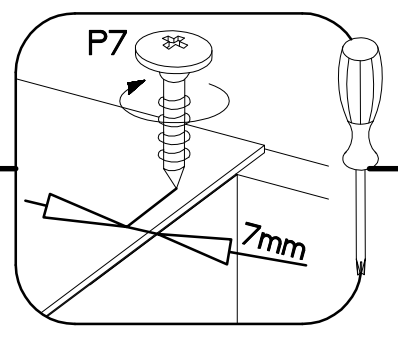
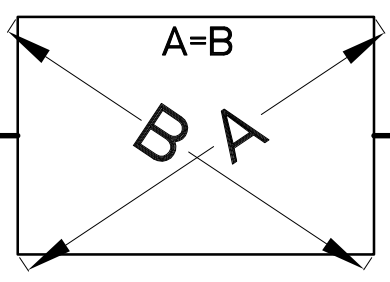
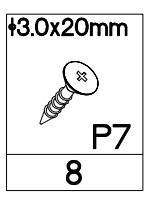






6,4 x 50mm		
		
B	O	E1
4	1	4

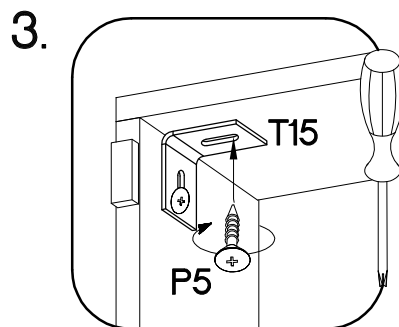
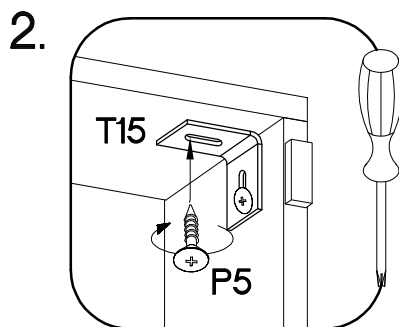
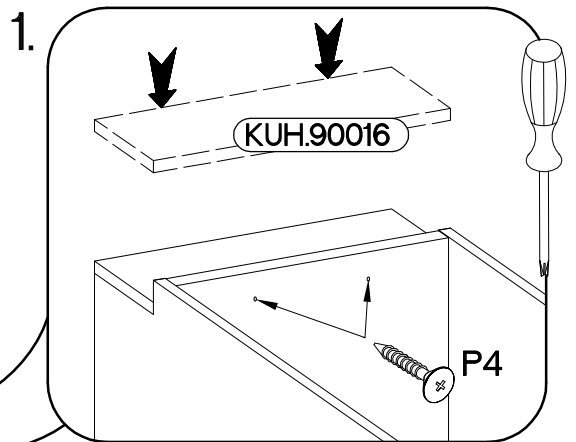
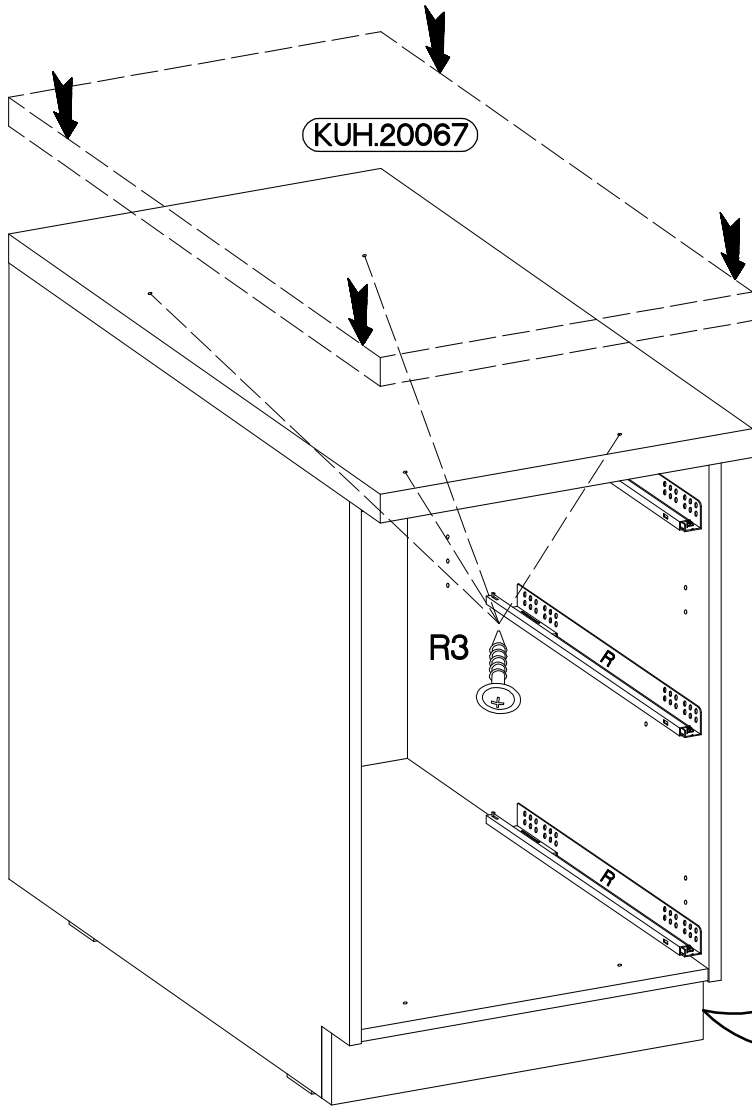
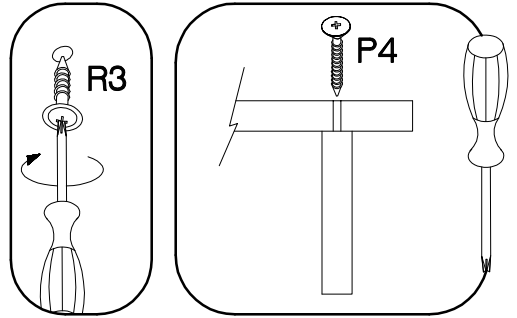
14

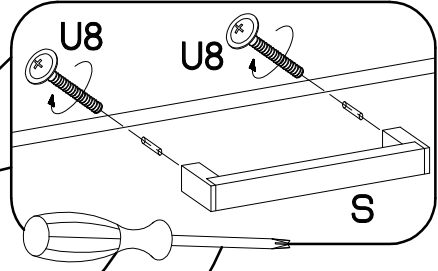
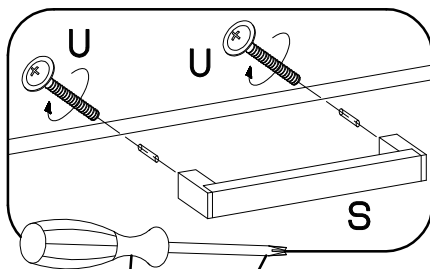
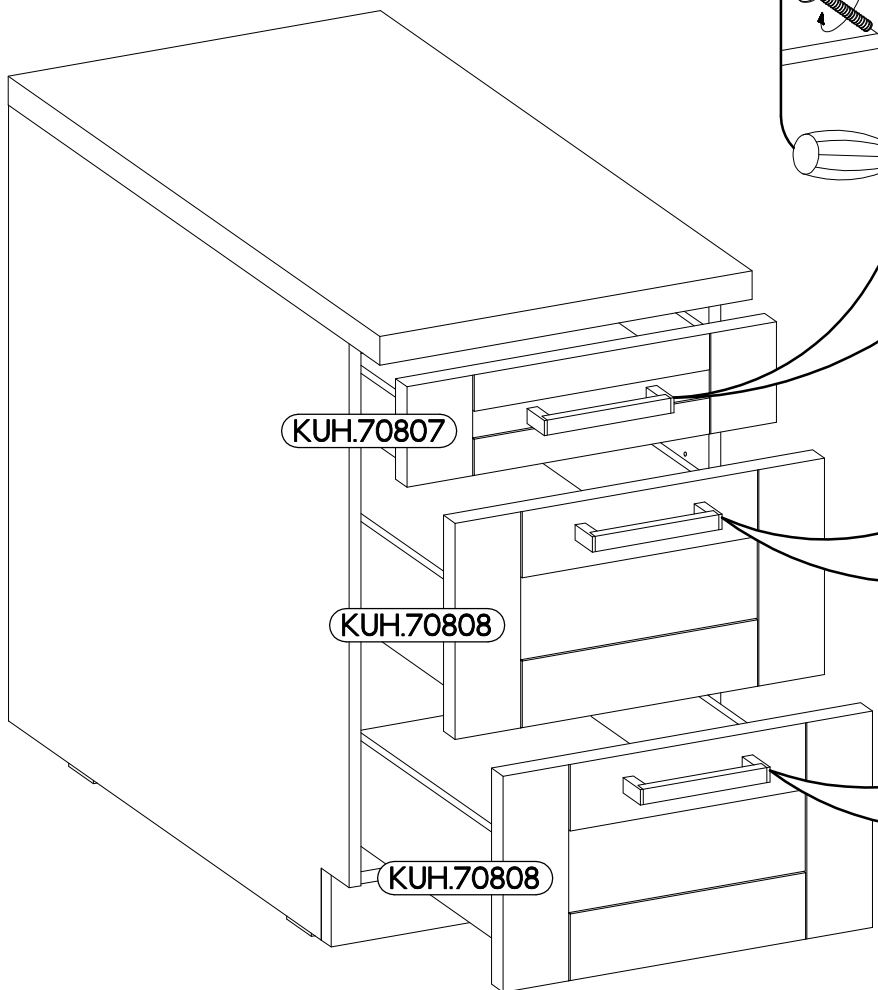


15

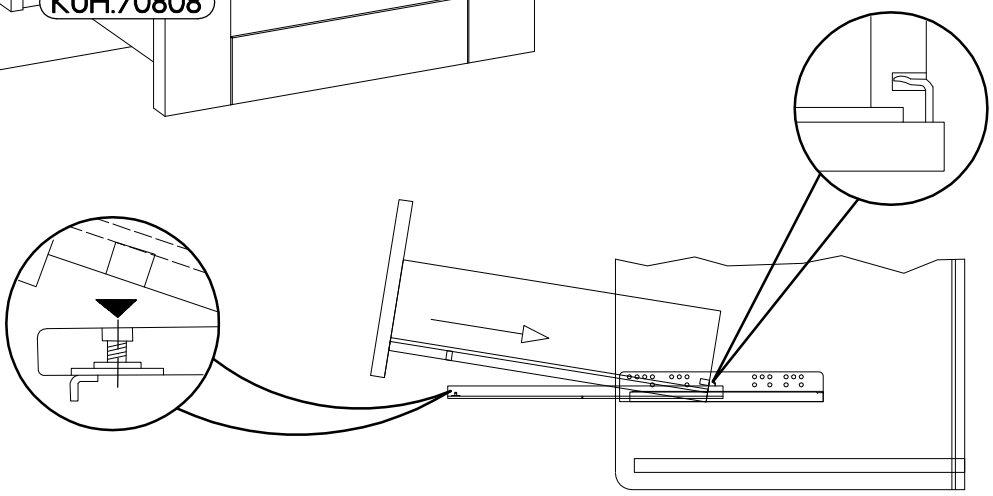


$\pm 4.0 \times 45 \text{mm}$  P4 2	 E9 2	$\pm 4.0 \times 35 \text{mm}$  R3 4	$\pm 3.5 \times 13 \text{mm}$  P5 2
--	---	--	--

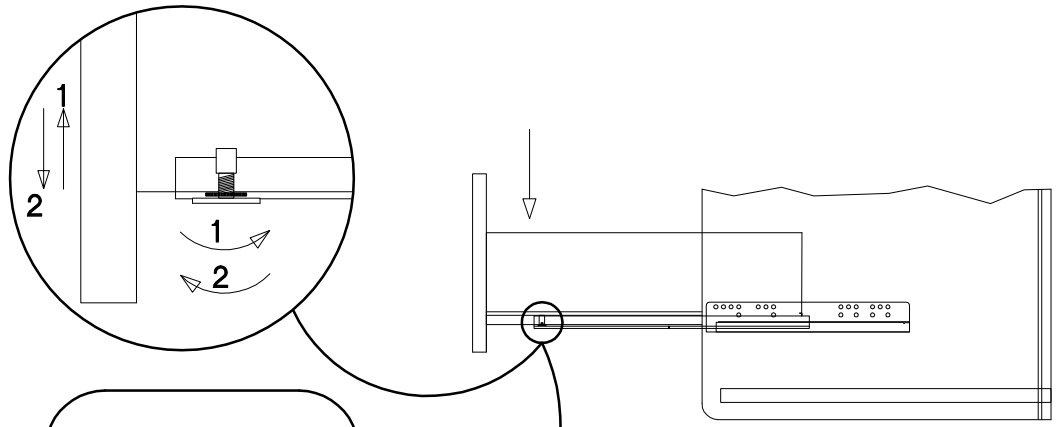




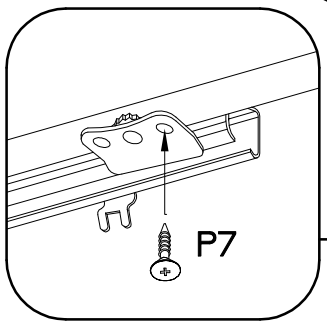
1.



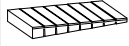
2.

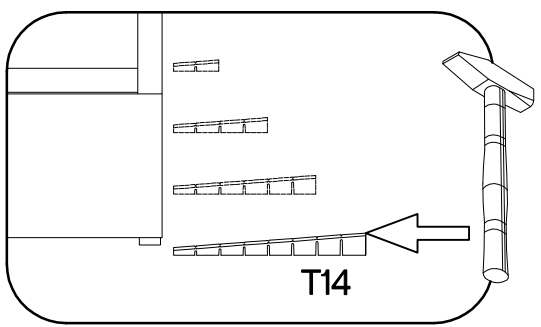
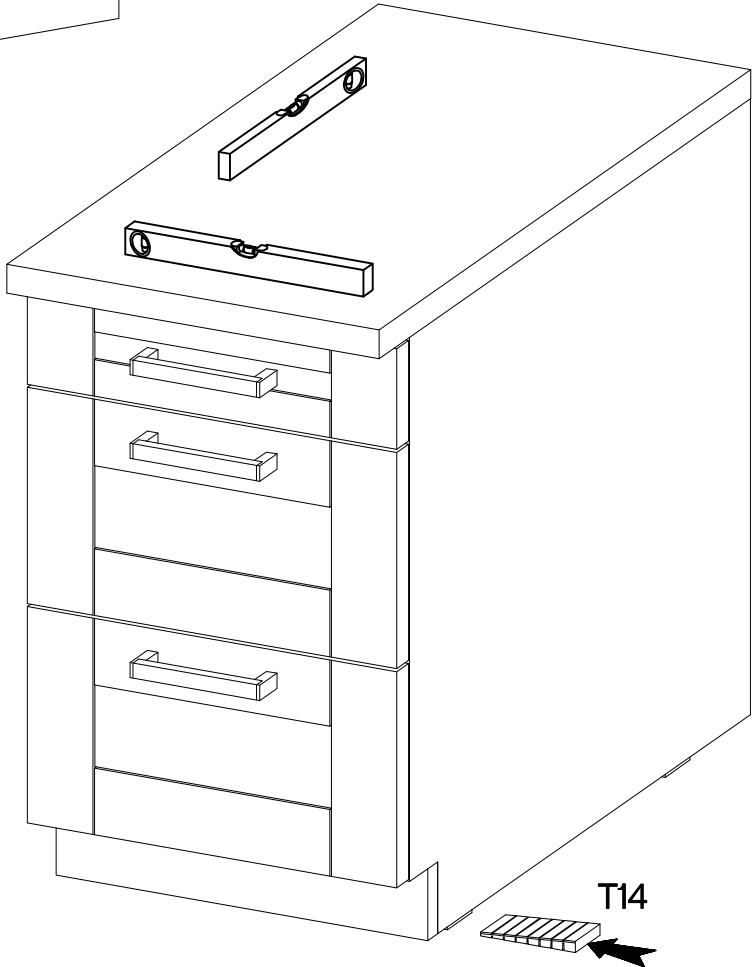
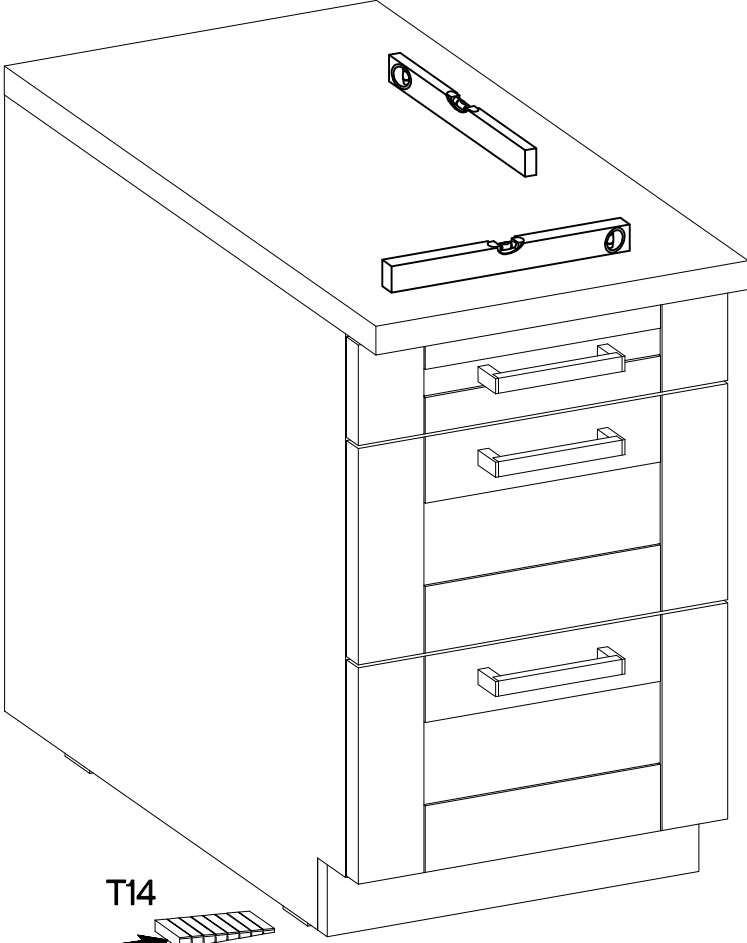


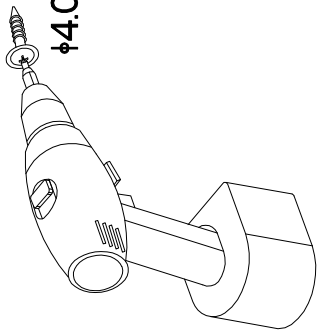
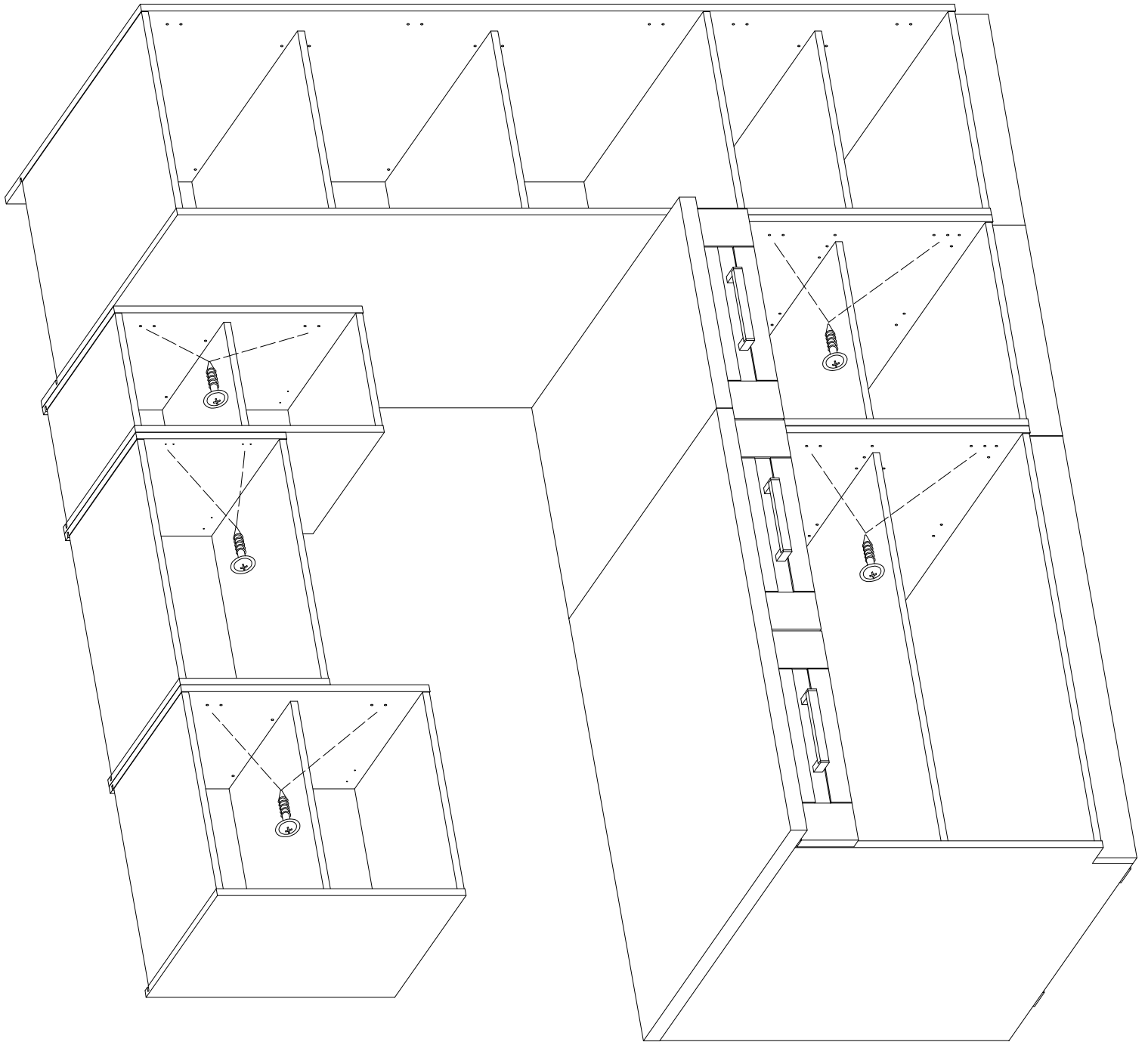
3.



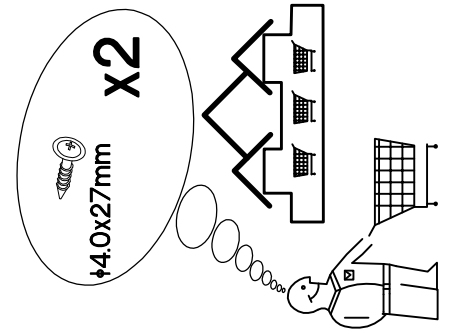
	M4x22mm	M4x27mm	+3.0x20mm
3	2	4	6

8x20x100mm

T14
2





4.0x27mm



X2

4.0x27mm

