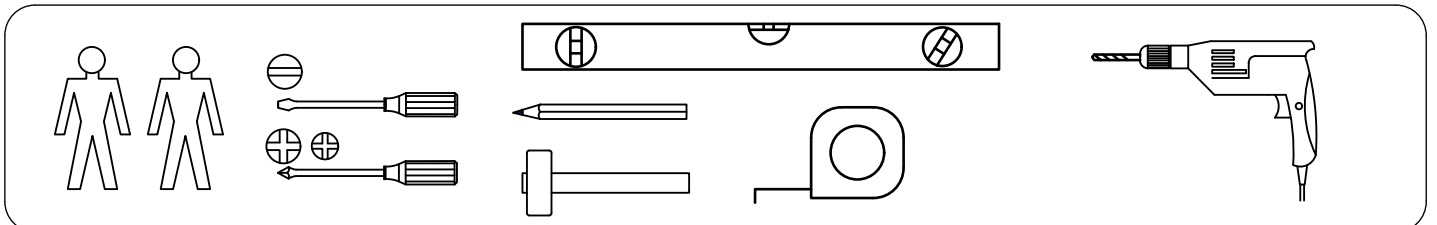
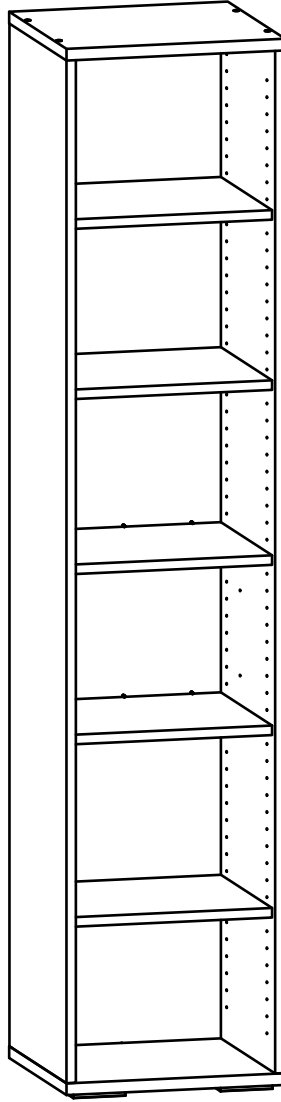
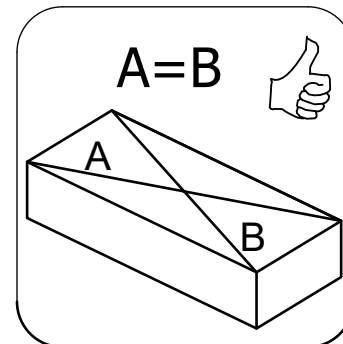
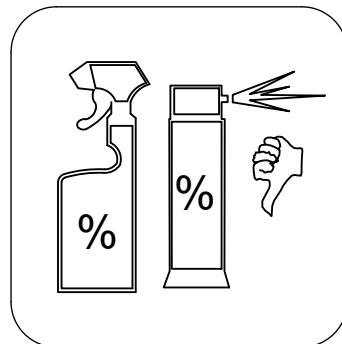
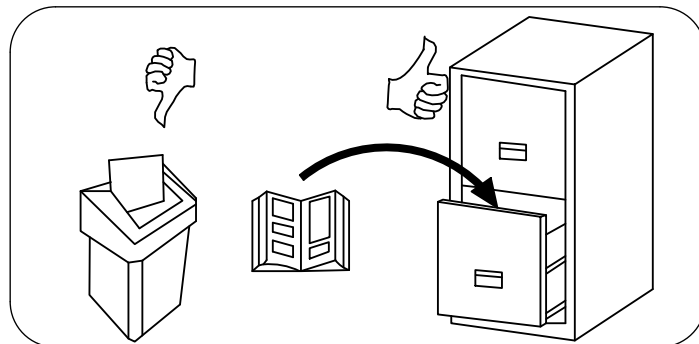
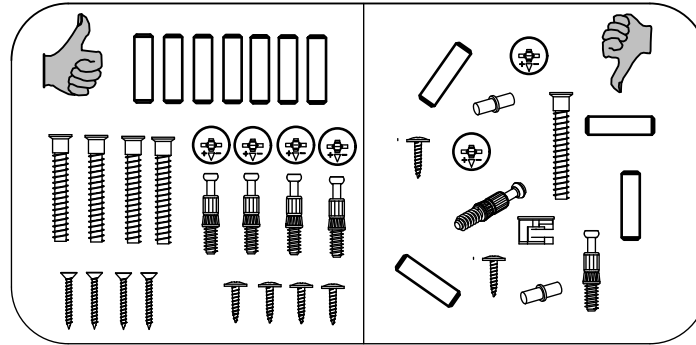
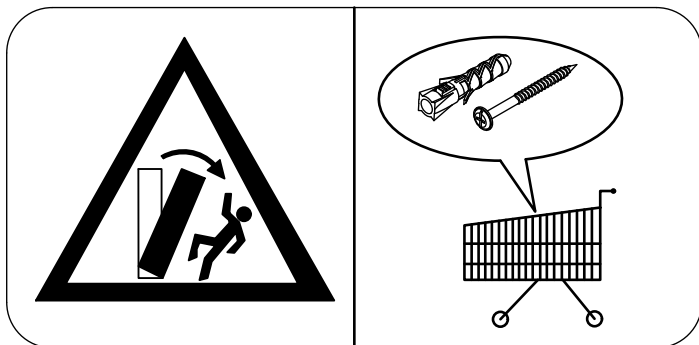
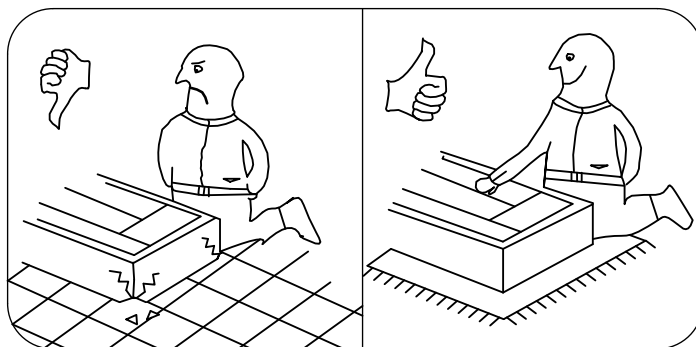
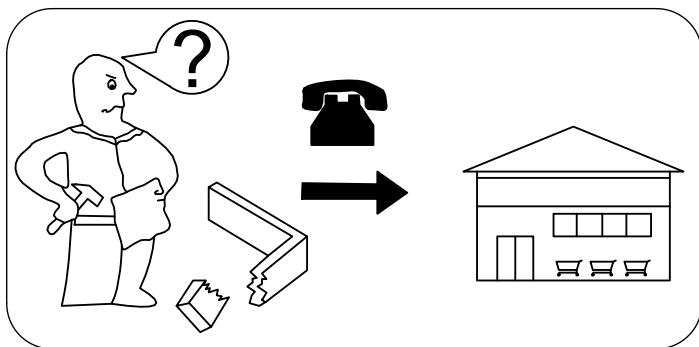
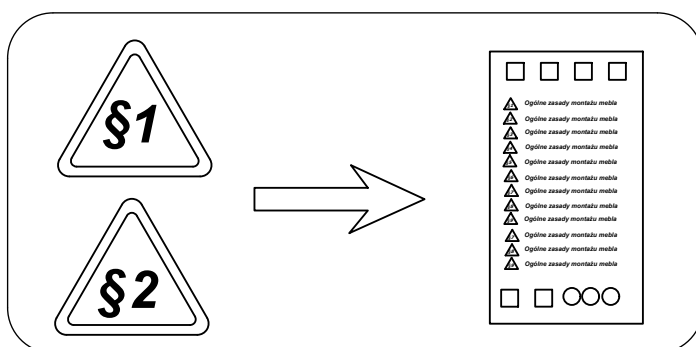
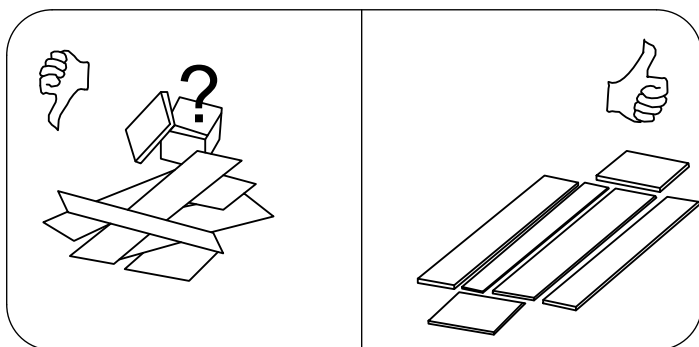
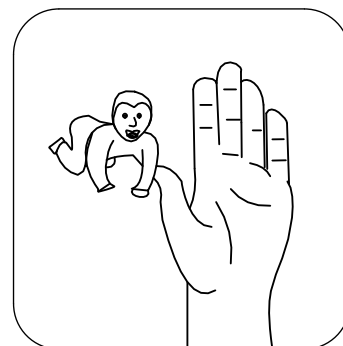
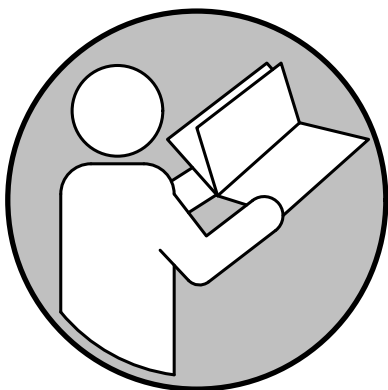
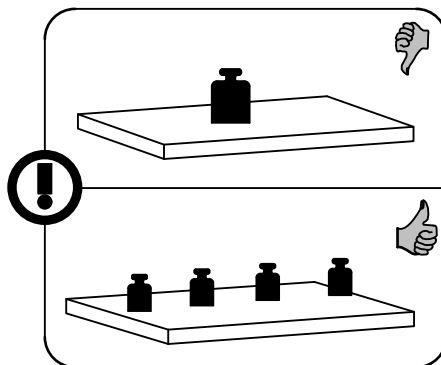
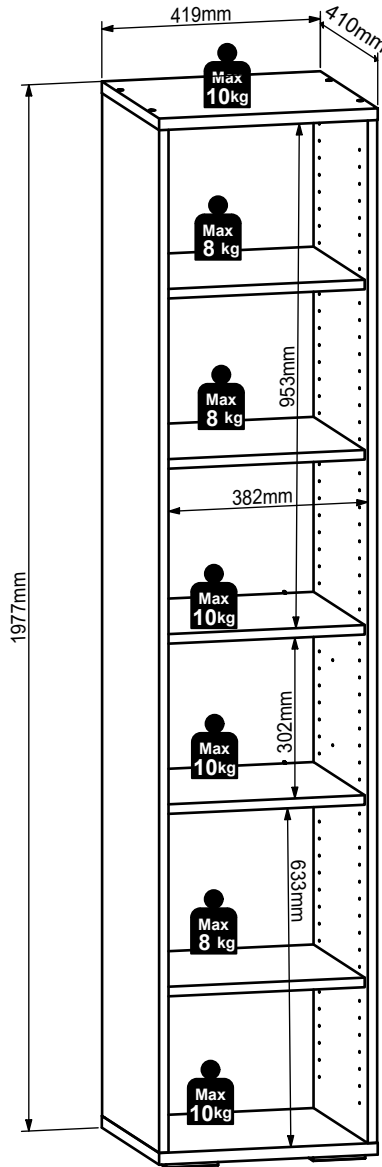


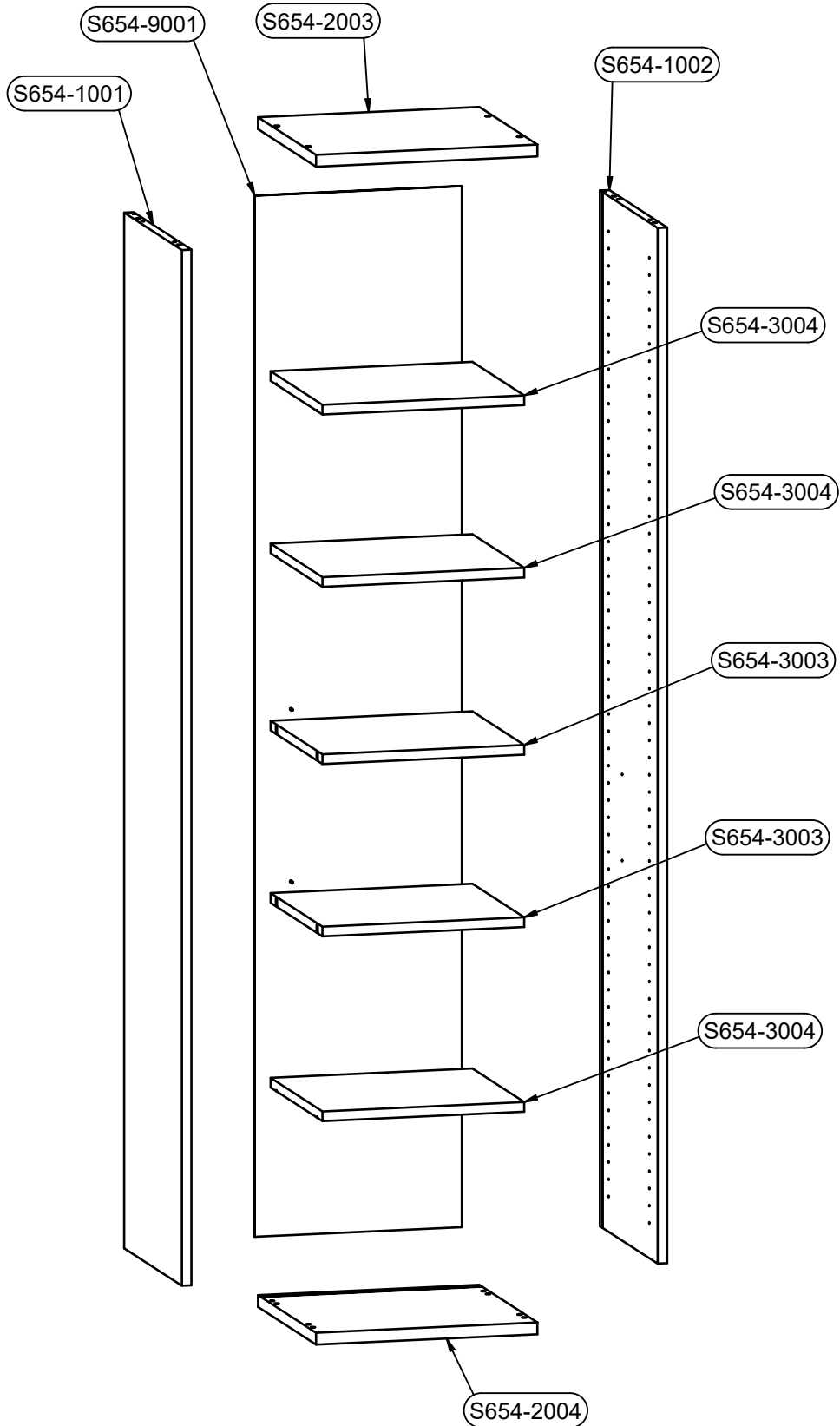
24270316/04



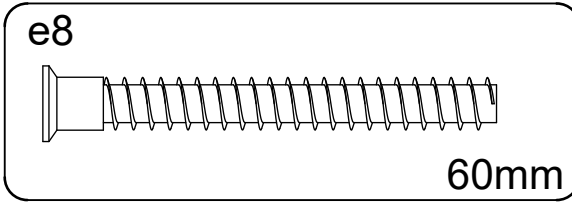
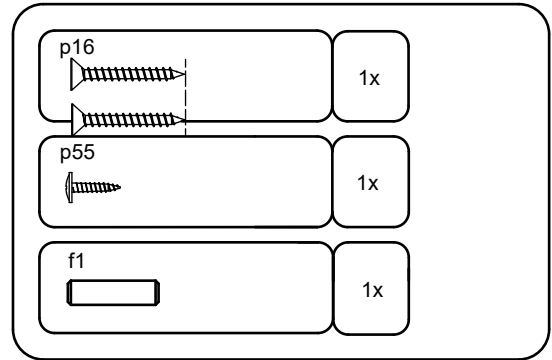
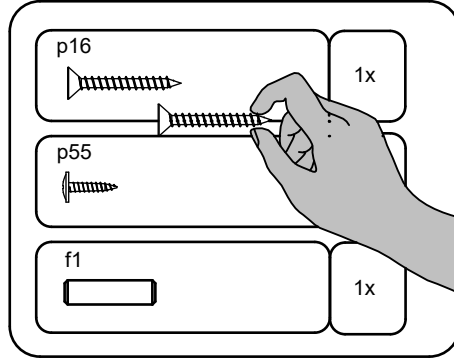




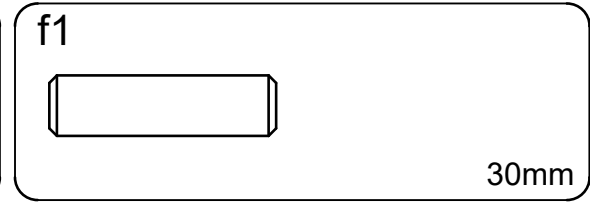
B1	B2	C1	C2	C3	C4	D
S654-1001	-	1923	408	18	1	2/2
S654-1002	-	1923	408	18	1	2/2
S654-3004	-	382	366	18	3	1/2
S654-2003	-	419	410	22	1	1/2
S654-2004	-	419	410	22	1	1/2
S654-3003	-	382	366	18	2	1/2
S654-9001	-	1933	392	2,5	1	2/2



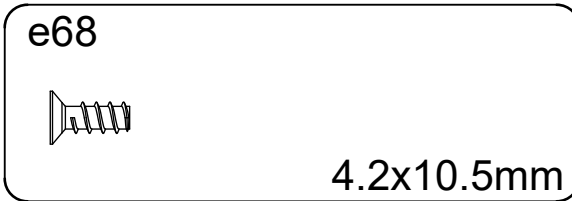
1:1



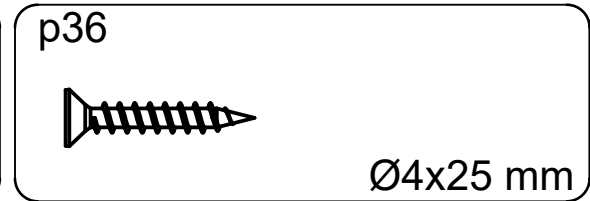
8x



8x



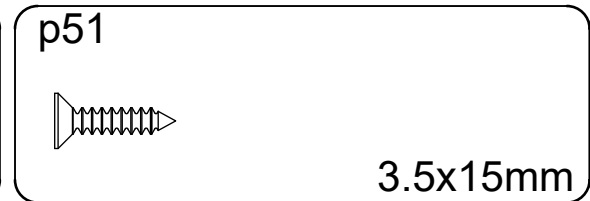
8x



16x



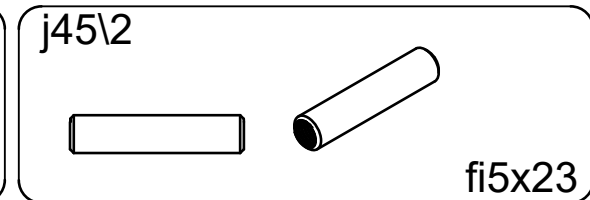
6x



2x

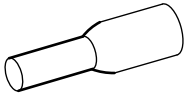
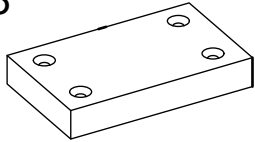
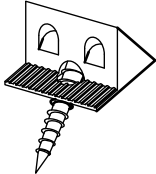
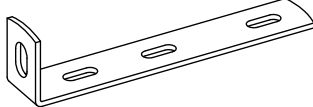
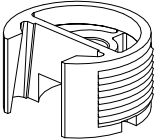
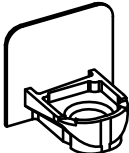
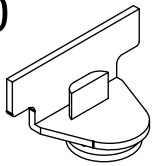
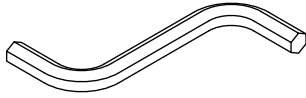
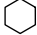


4x

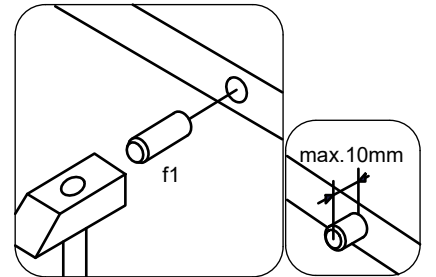
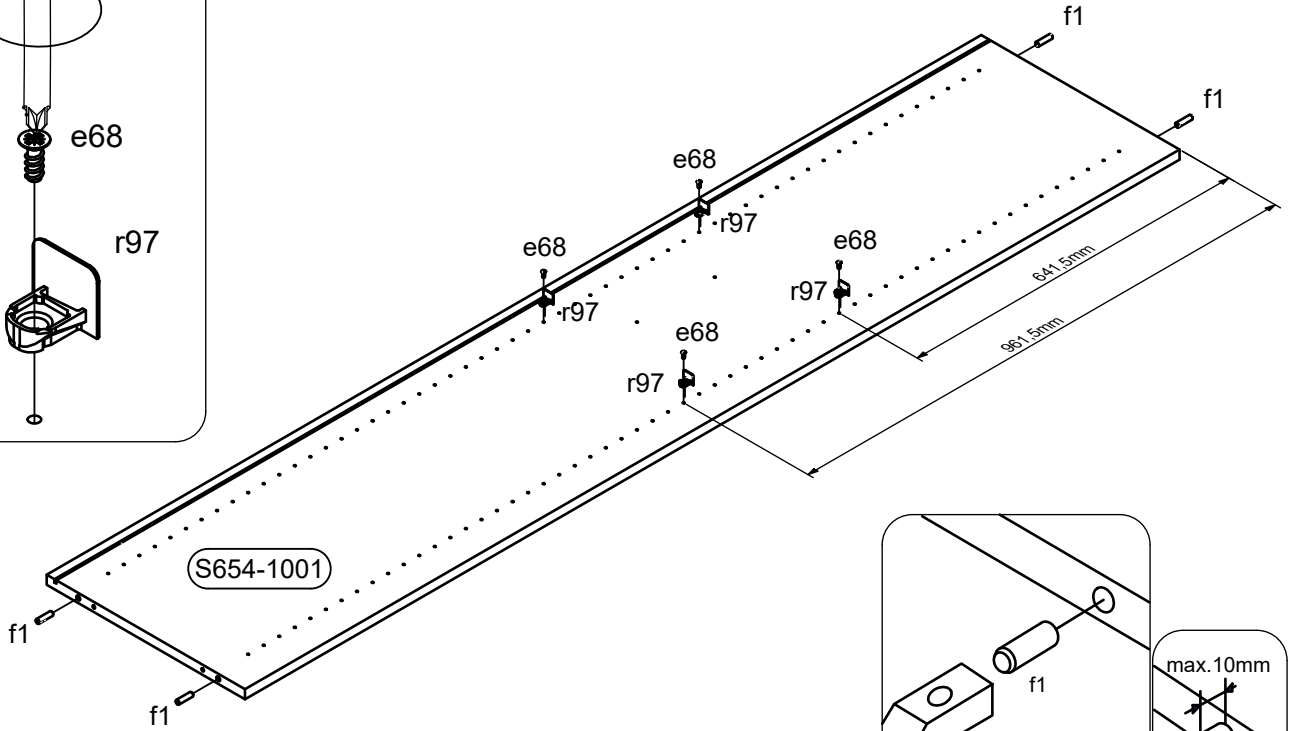
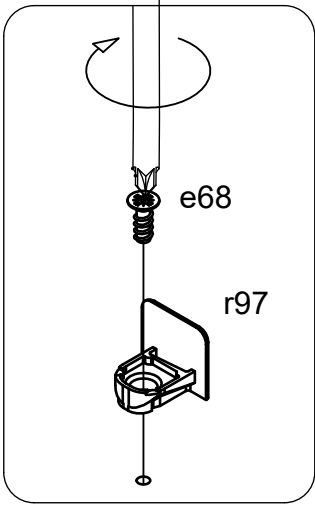
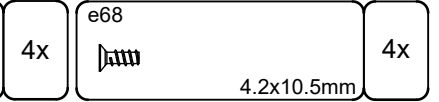
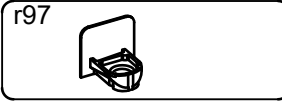
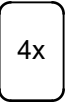
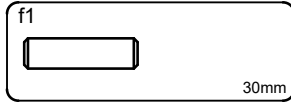


2x

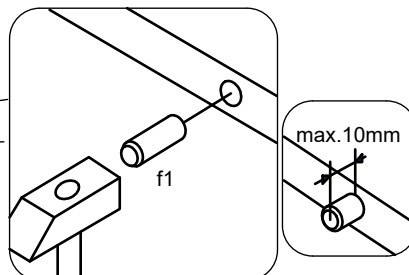
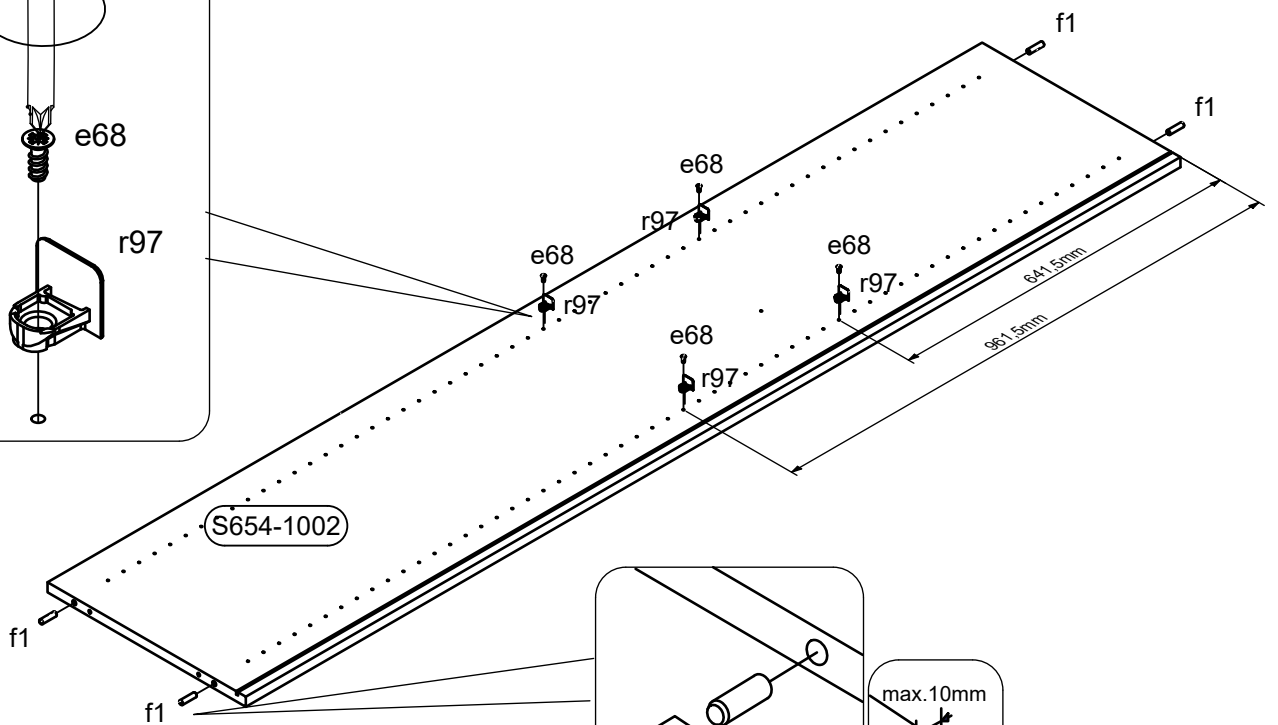
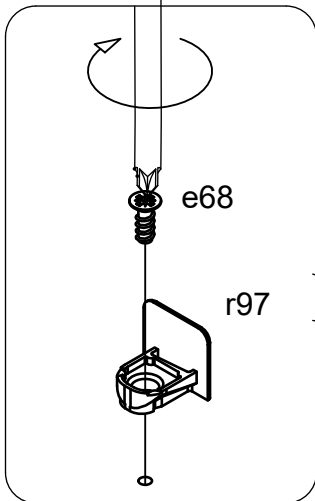
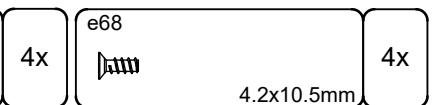
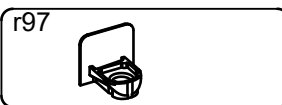
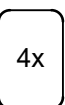
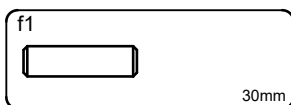
~~1:1~~

d47 	12x	k178 	4x
l2 	10x	n14\2 	1x
r99 	8x	r97 	8x
r100 	1x	z1   4mm	1x

1

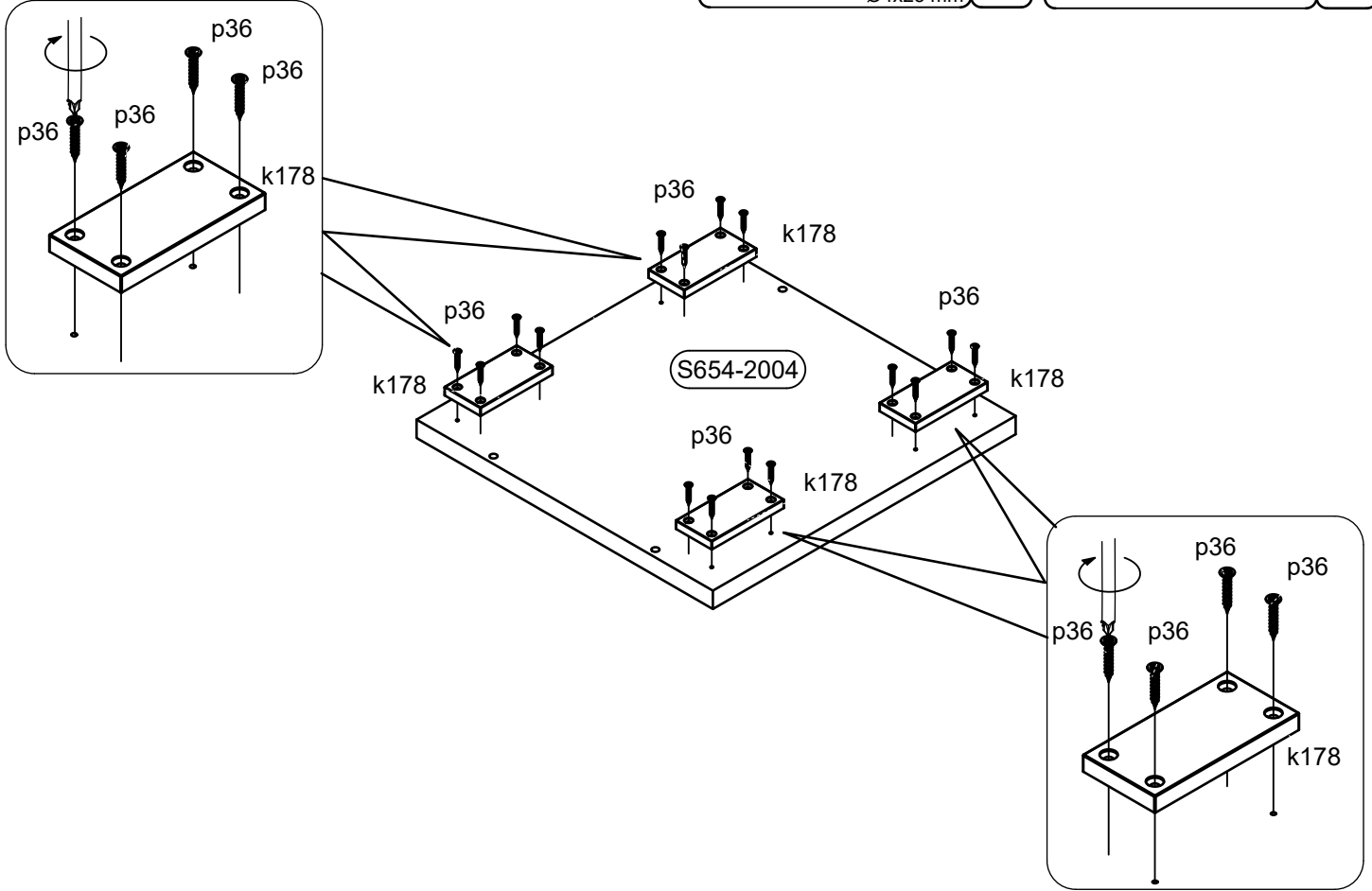


2


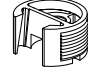


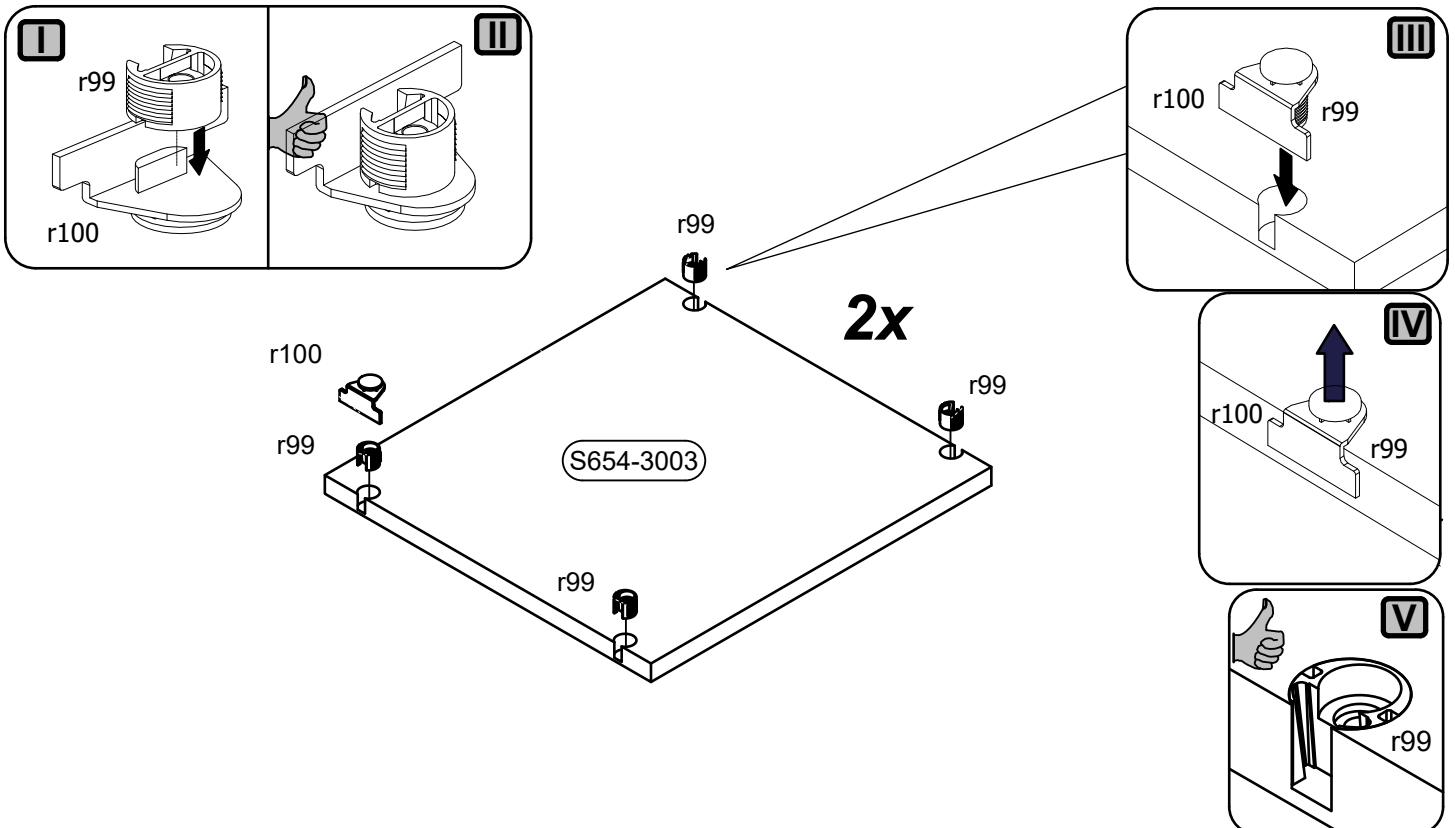
3 §2

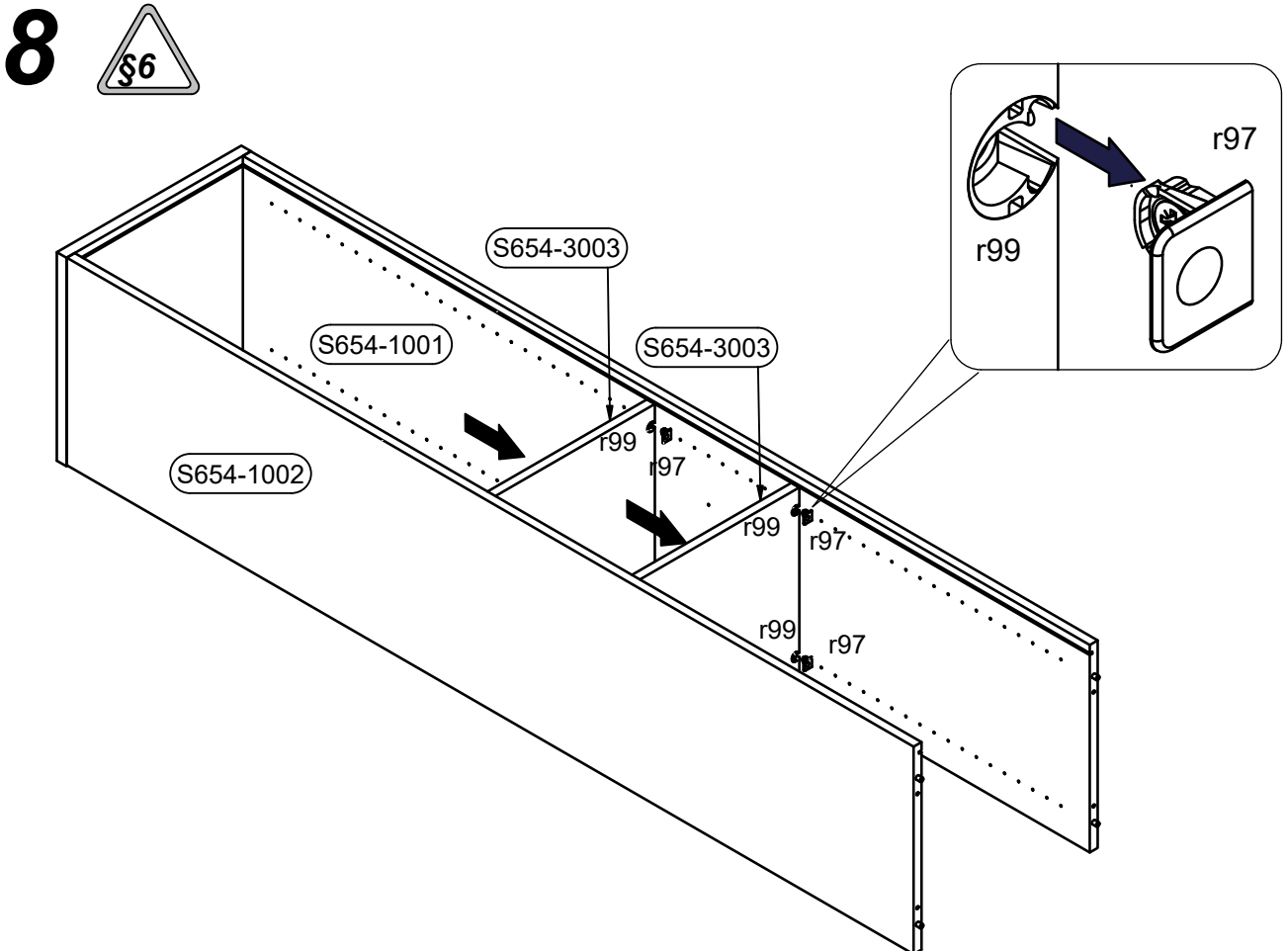
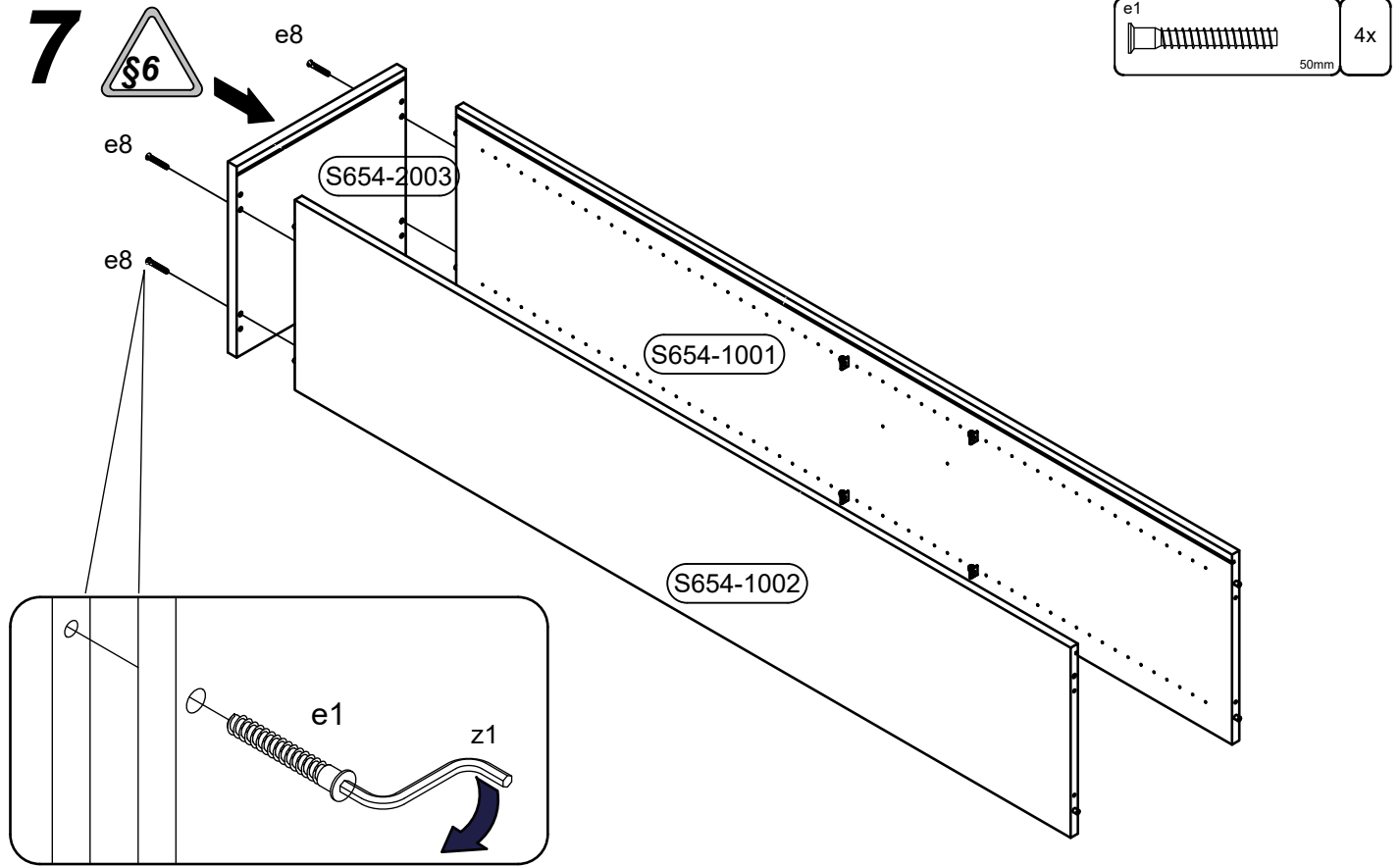
p36  Ø4x25 mm	16x	k178 	4x
--	-----	---	----



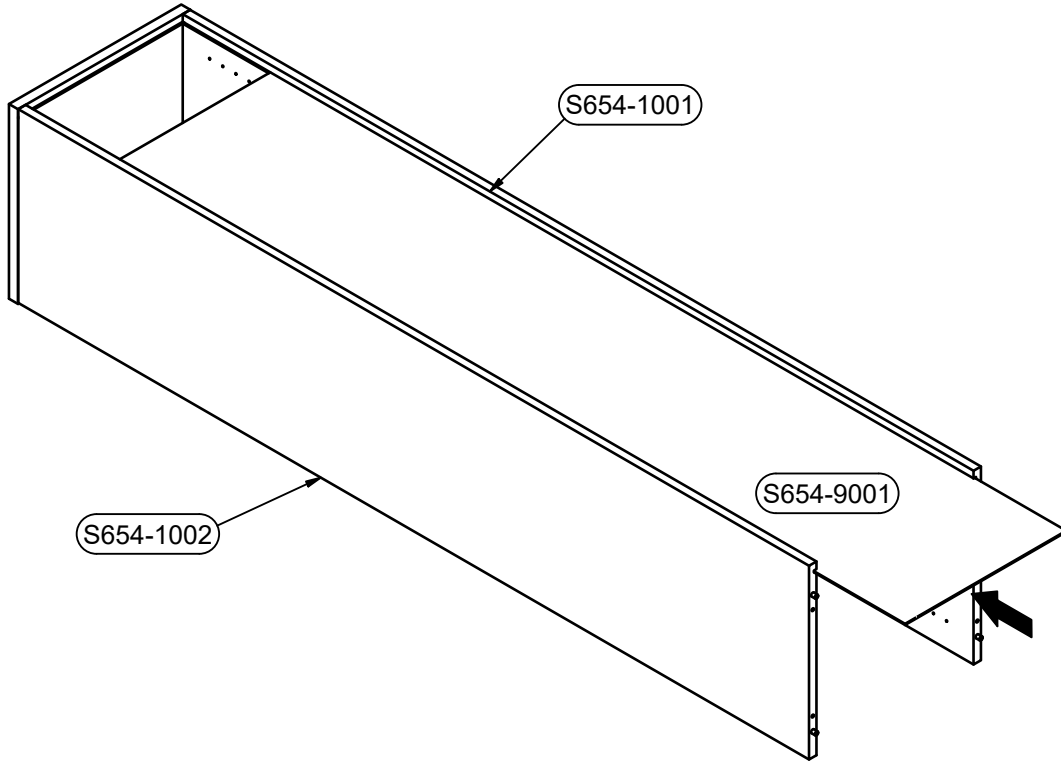
4 §2

r100 	1x	r99 	8x
---	----	--	----

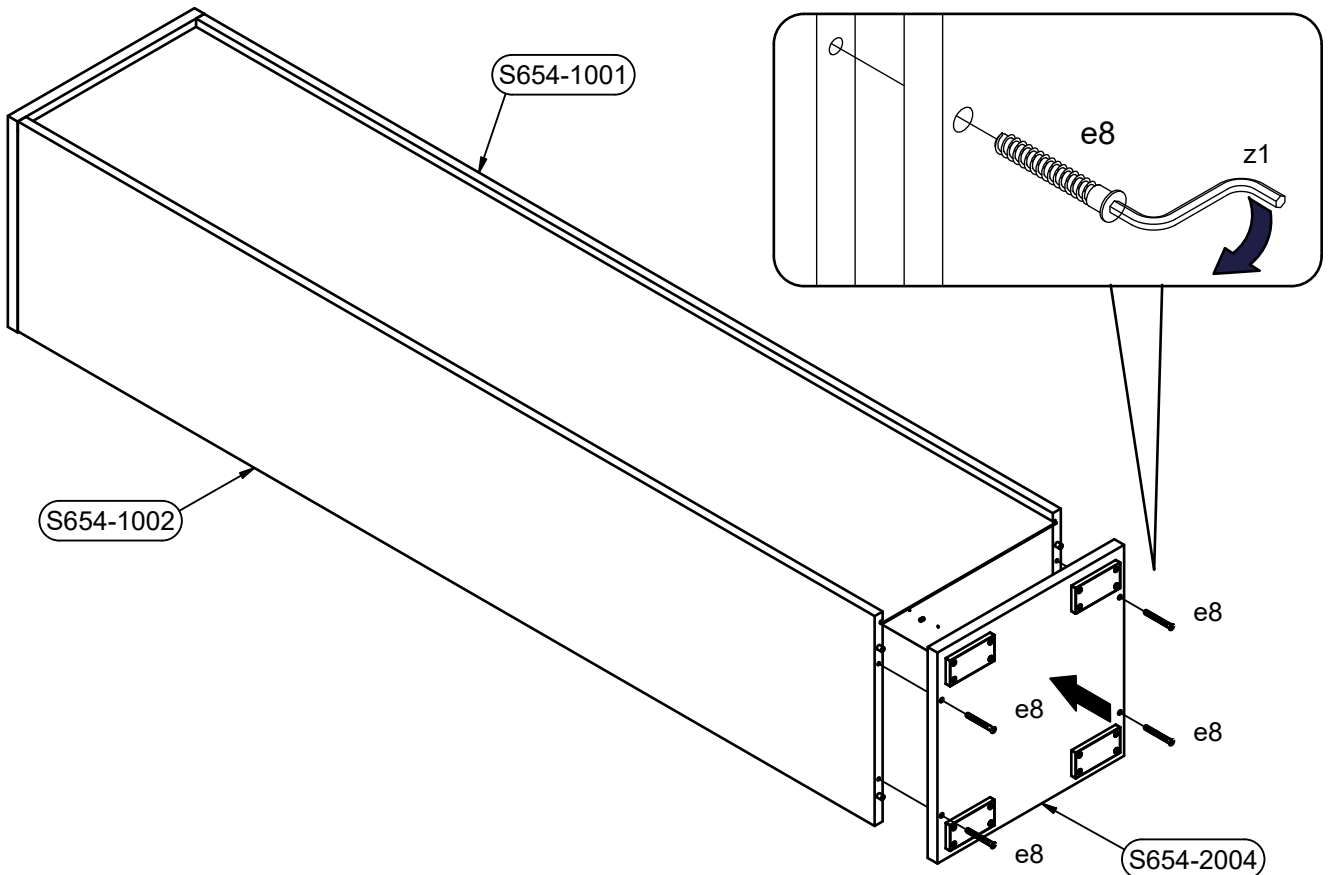
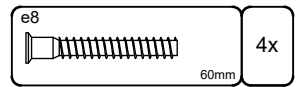




9

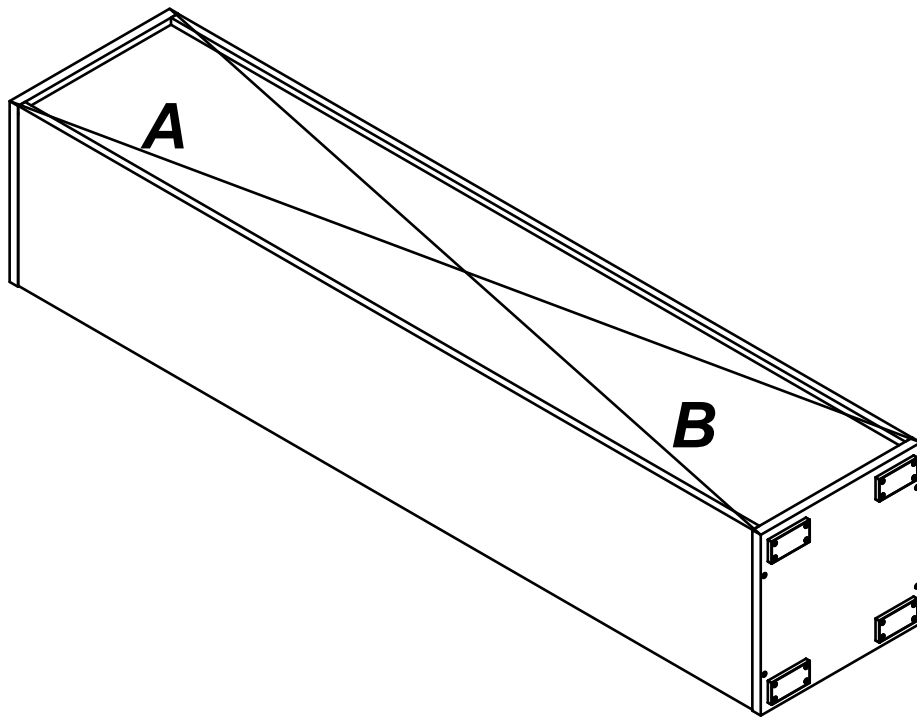


10

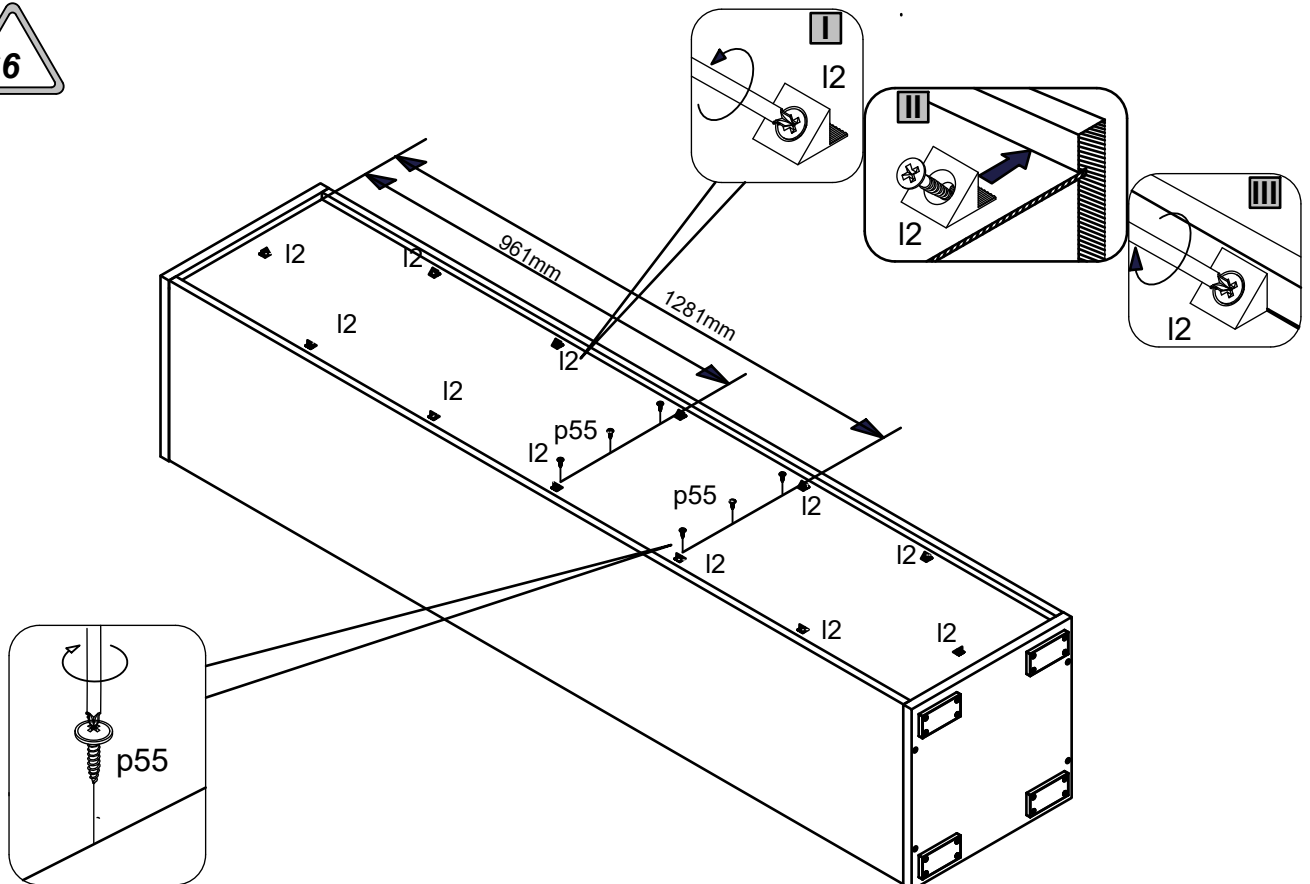
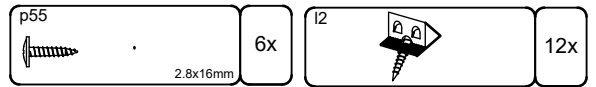


11

A=B




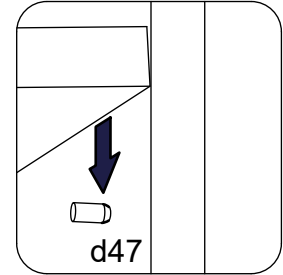
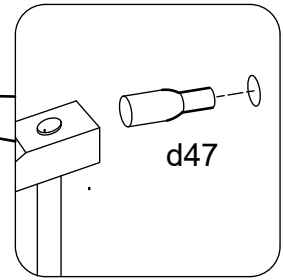
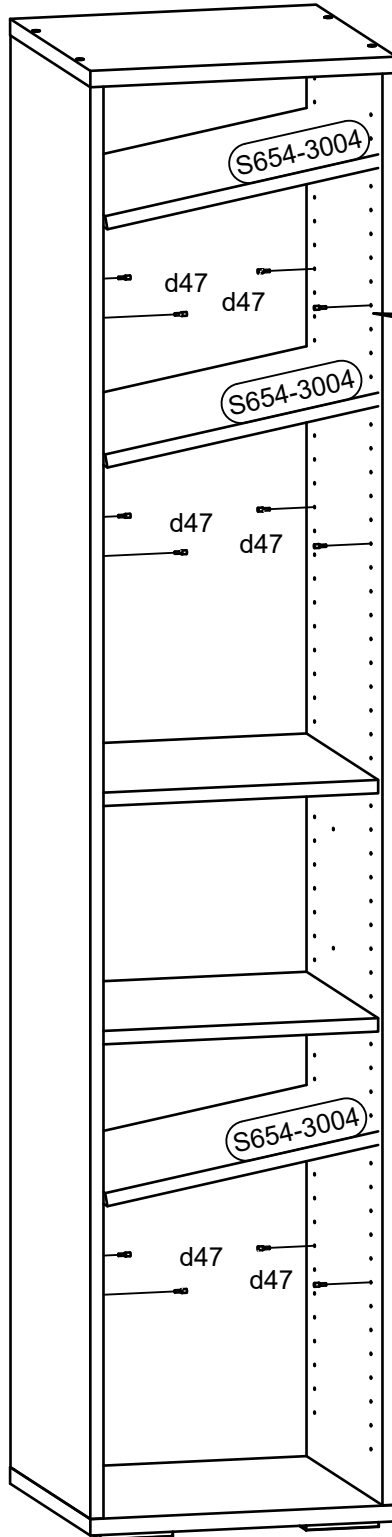
12



13



d47 	12x
--	-----



16



n14\2 	1x	p51 	2x 3.5x15mm
-----------	----	---------	----------------

