
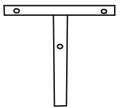




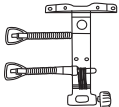
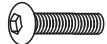


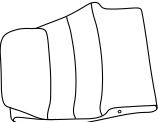




# 11560015/01/02

BDSK Handels GmbH & Co.  
 KG Mergentheimer Straße 59  
 UID: DE279448078

<b>A*5</b> 	<b>H*1</b> 
<b>B*1</b> 	<b>I*4</b>  M6*25mm
<b>C*1</b>  TÜVRheinland® CERTIFIED	<b>J*3</b>  M6*30mm
<b>D*1</b> 	<b>K*4</b>  M8*40mm
<b>E*1</b> 	<b>L*4</b>  M8
<b>F*1</b> 	<b>M*4</b> 
<b>G*(R&amp;L)1</b> 	<b>N*1</b> 