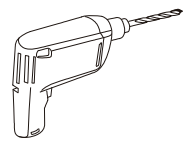
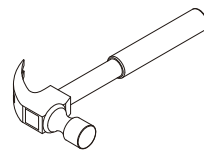
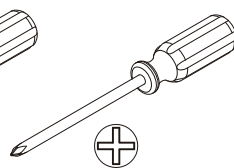
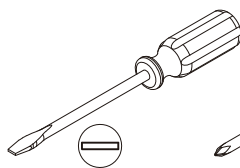
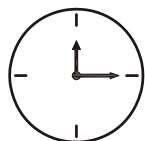
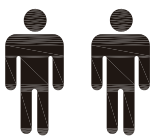
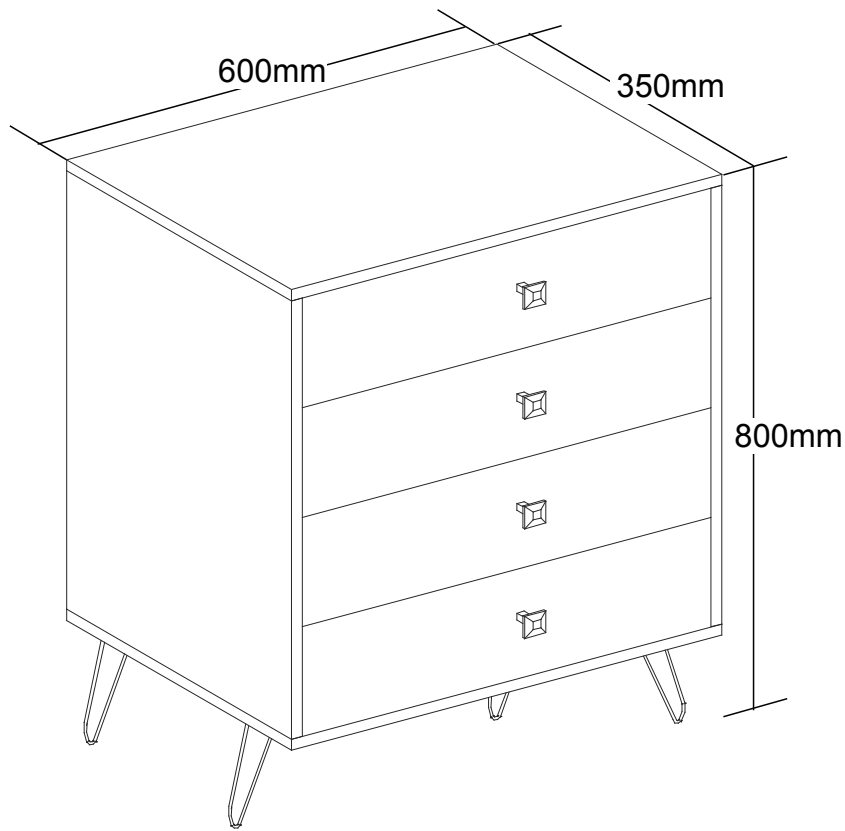
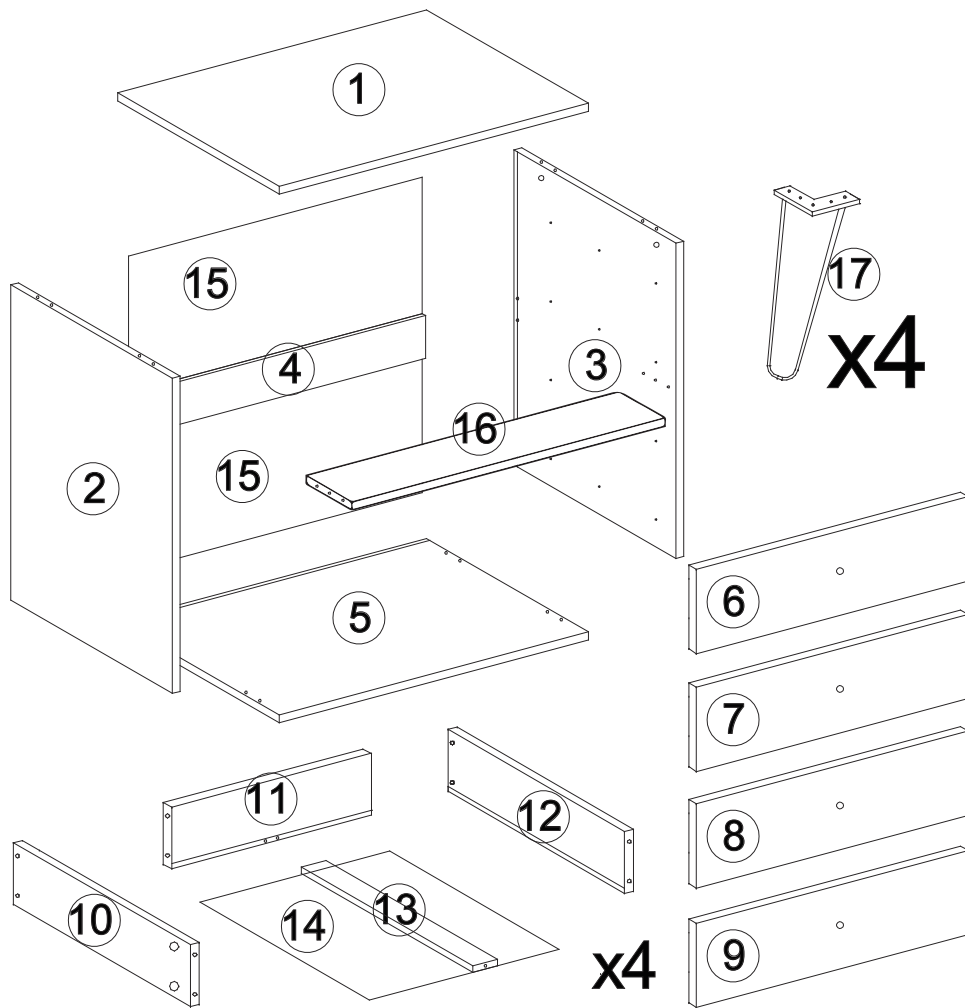


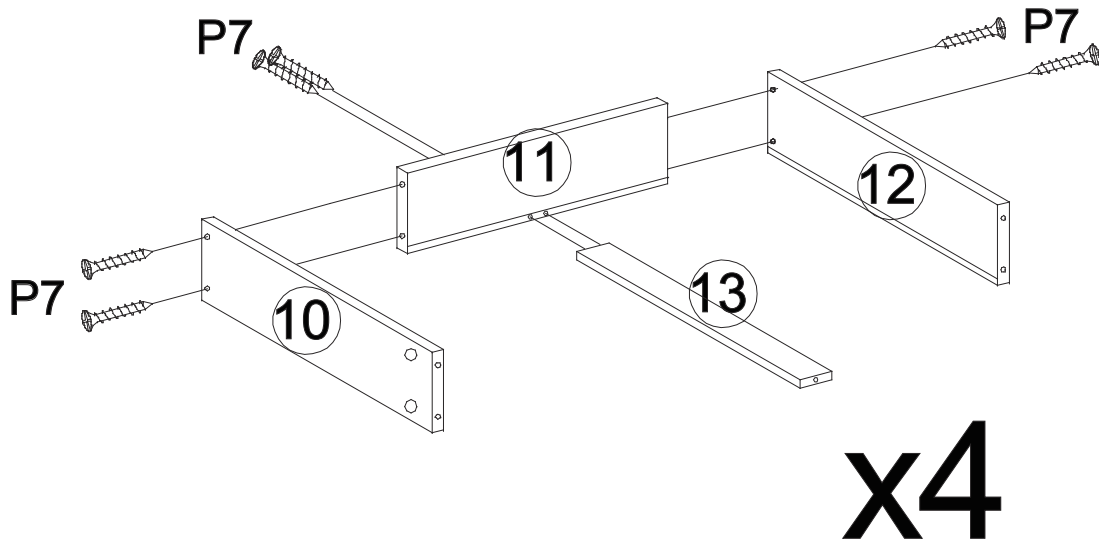
29630031/01





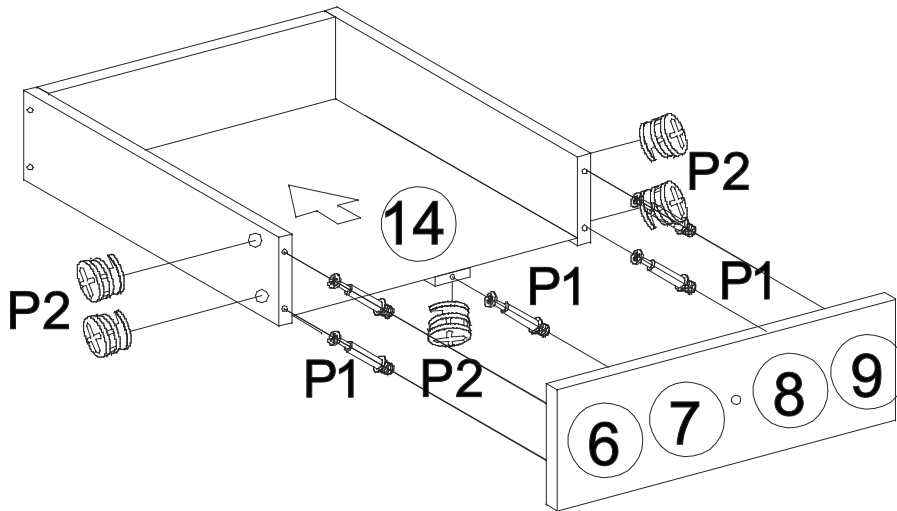
P1	x 30	P2	x 30	P3	x 4	P4	x 12	P5	x 50	P6	x 4
				φ5x40mm		φ8x30mm		φ3.5x12mm		CL DL DR CR	
P7	x 26	P8	x 1	P9	x 20	P10	x 4	P11	x 4	P12	x 2
φ4x35mm				φ6x14mm		φ4x20mm					
P13	x 2	P14	x 4	P15	x 8	P16	x 8				
						φ3x14mm					

1



P7	x 24
φ4x35mm	

2

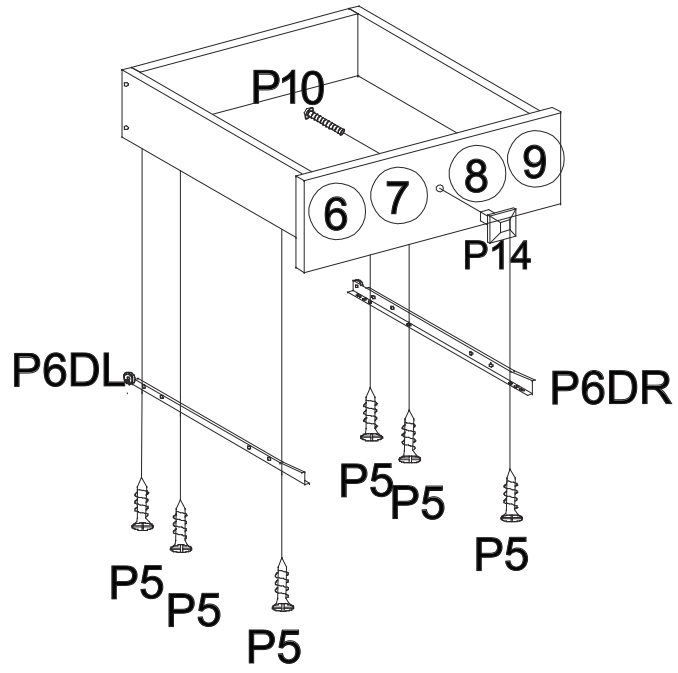



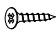


P1	x 20

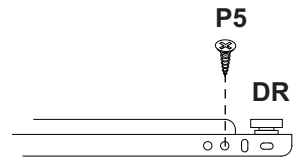
P2	x 20

3

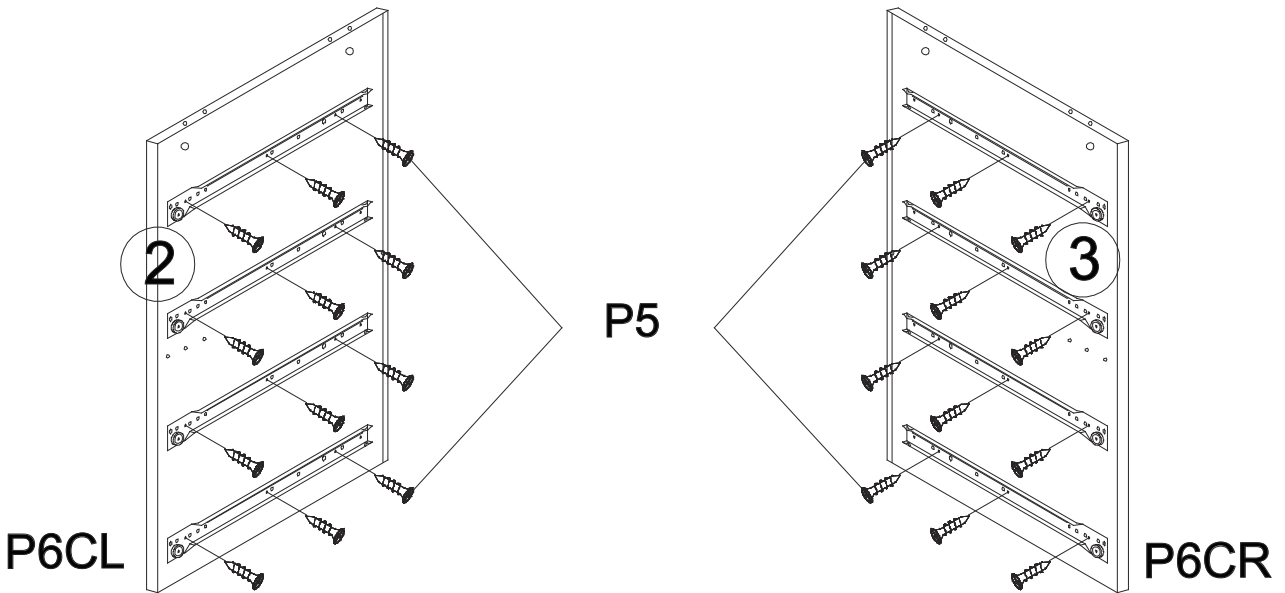
3


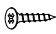


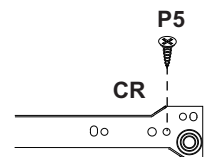
P6	x 4	P5	x 24	P10	x 4	P15	x 4
 DL DR		 φ3.5x12mm		 φ4x20mm			



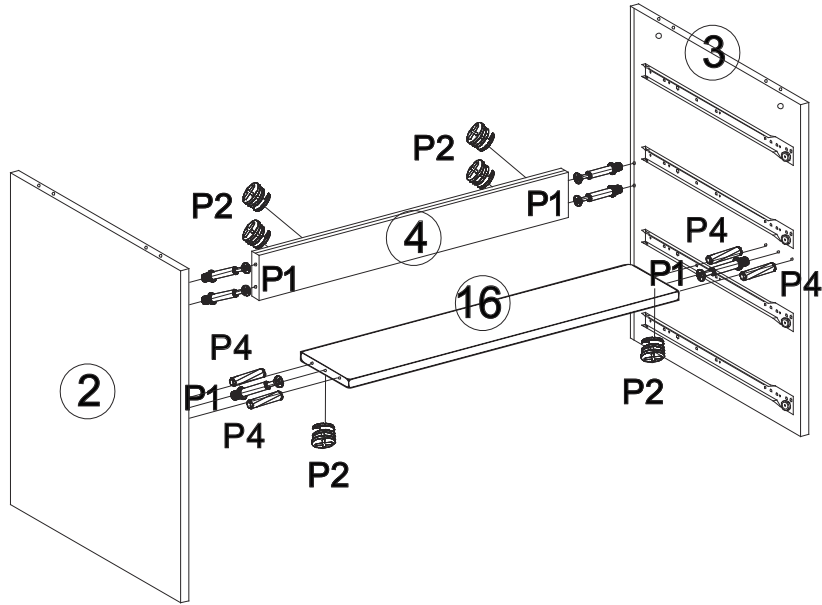
4



P6	x 4	P5	x 24
 CL CR		 φ3.5x12mm	



5

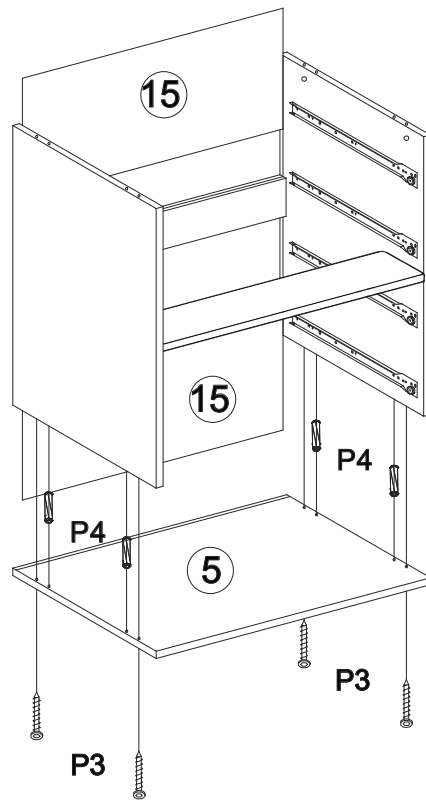


P1	x 6

P2	x 6

P13	x 4
φ8x30mm	

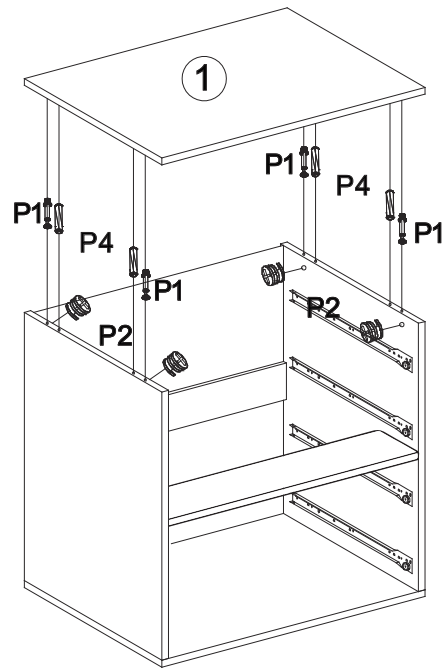
6

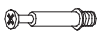




P3	x 4
φ5x40mm	

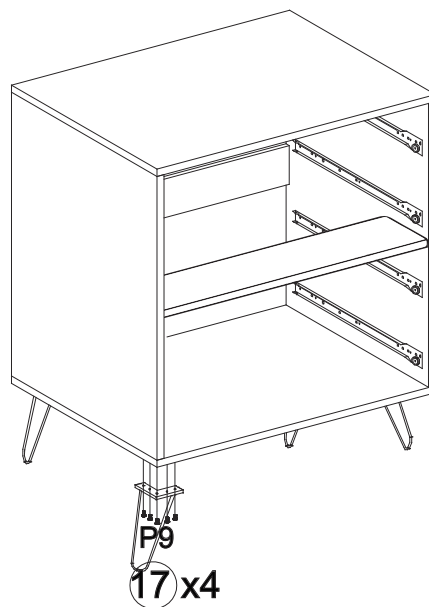
P4	x 4
φ8x30mm	


7



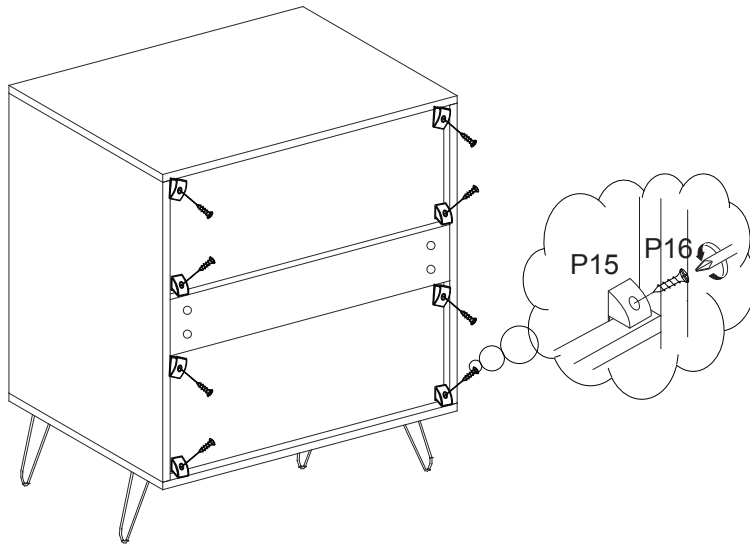
P1	x 4	P2	x 4	P4	x 4
					
				φ8x30mm	

8



P11	x 20
	
φ6x14mm	

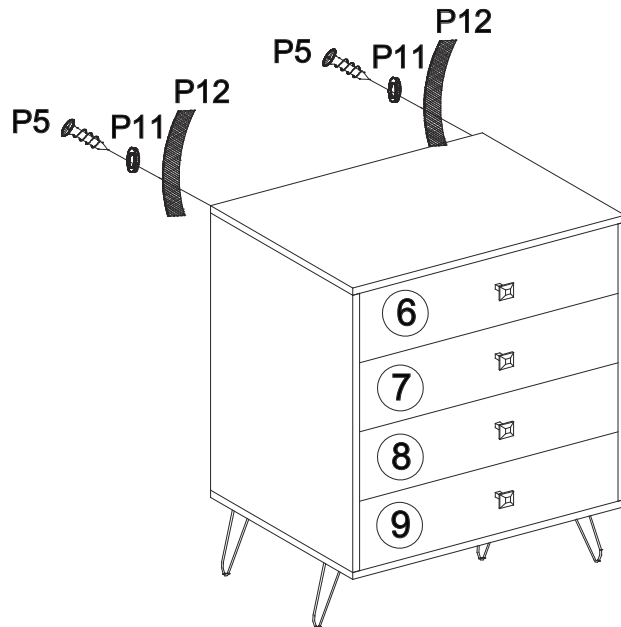
9



P15	x 8

P16	x 8
φ3x14mm	

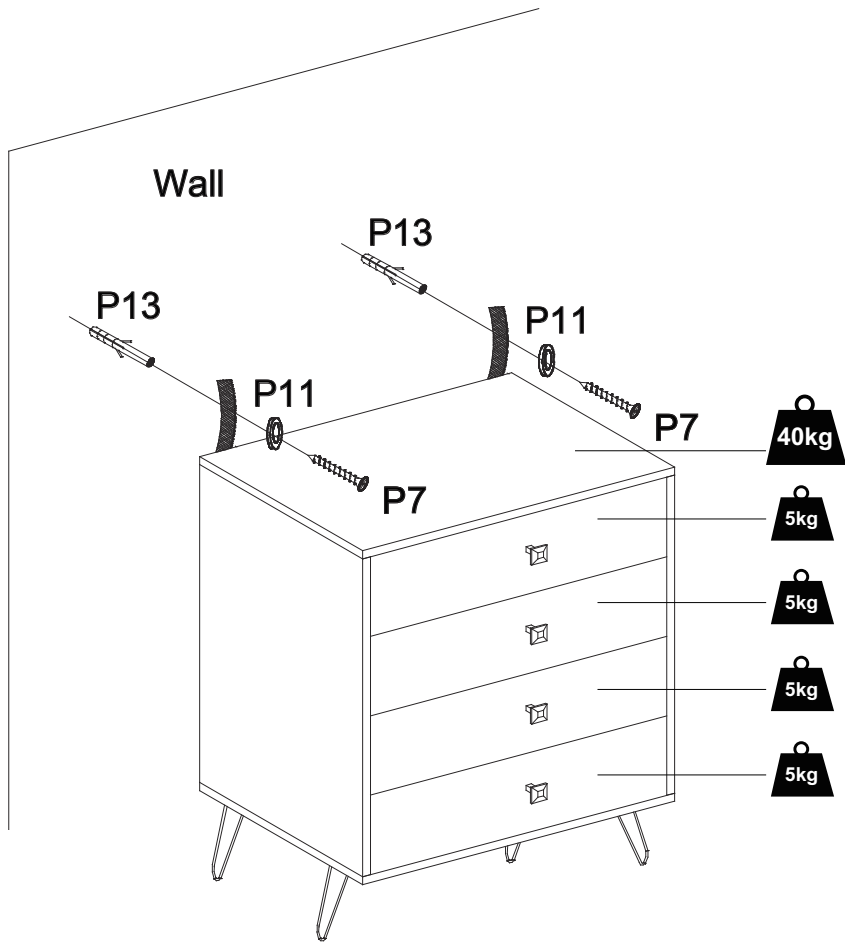
10



P5	x 2
φ3.5x12mm	

P11	x 2

P12	x 2



P11	x 2

P7	x 2
φ4x35mm	

P13	x 2

