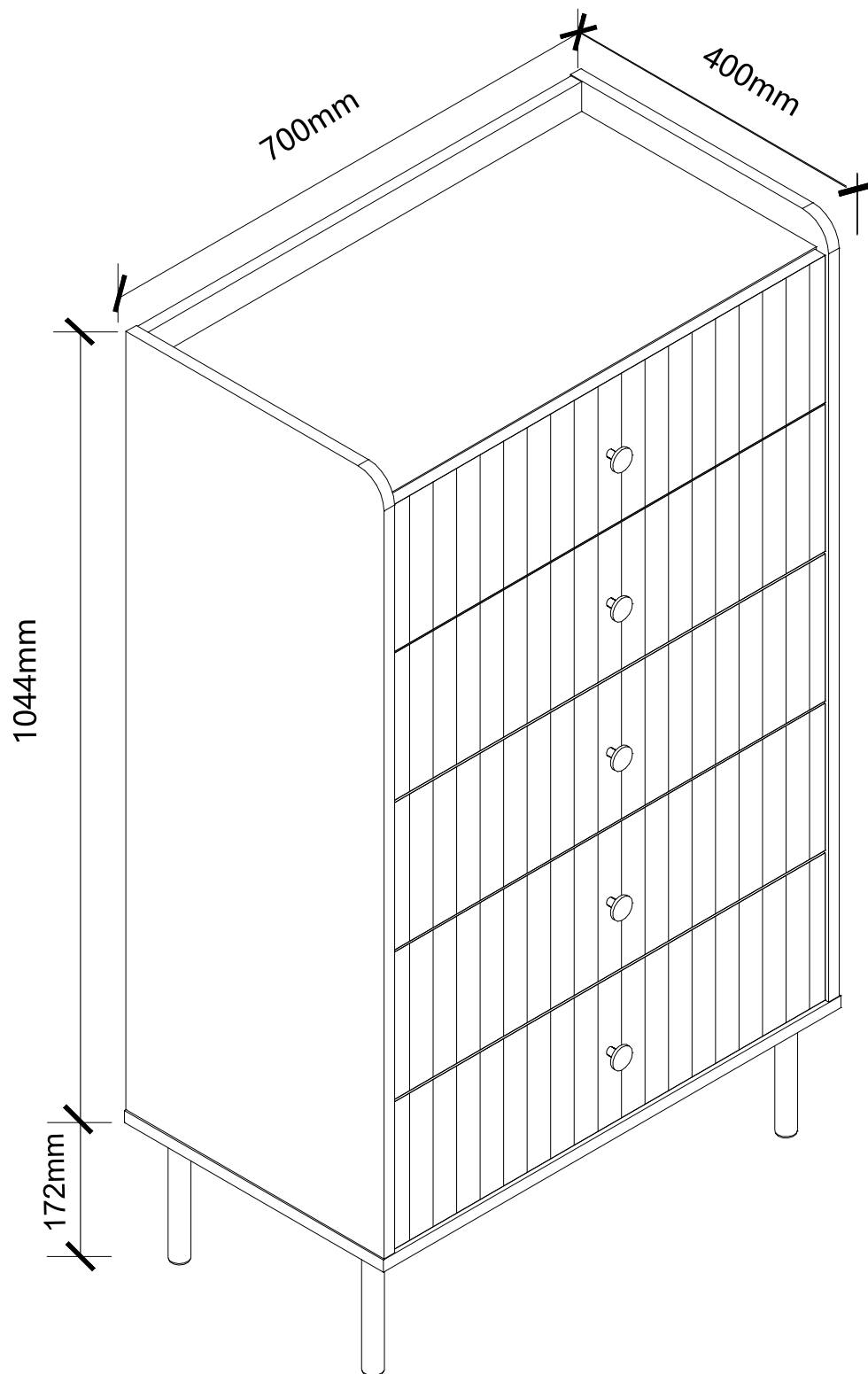
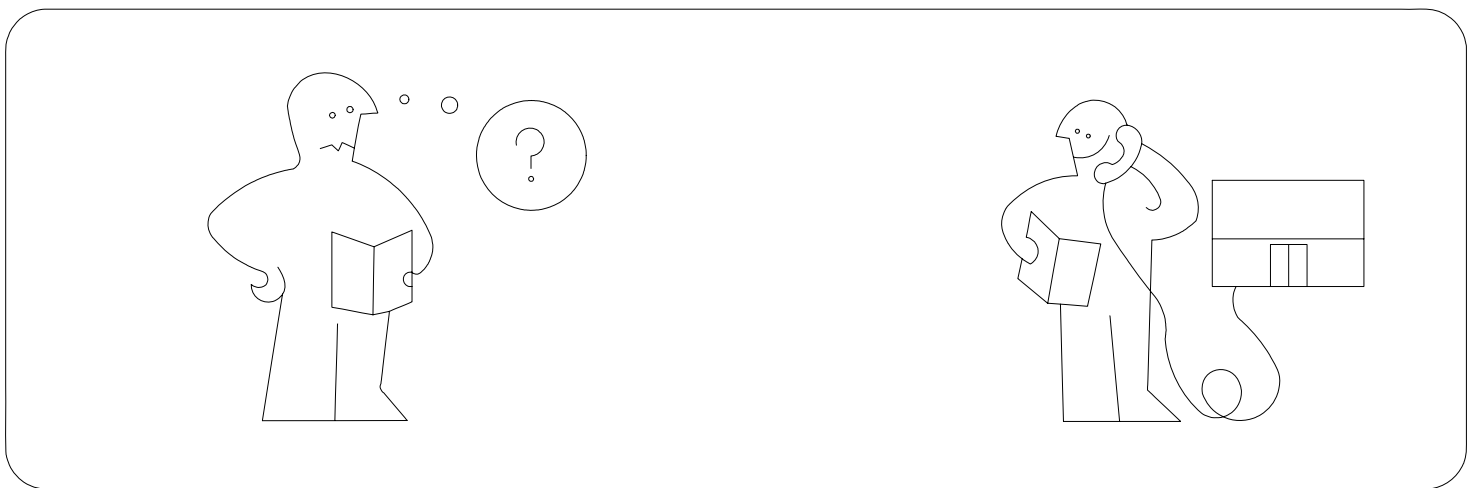
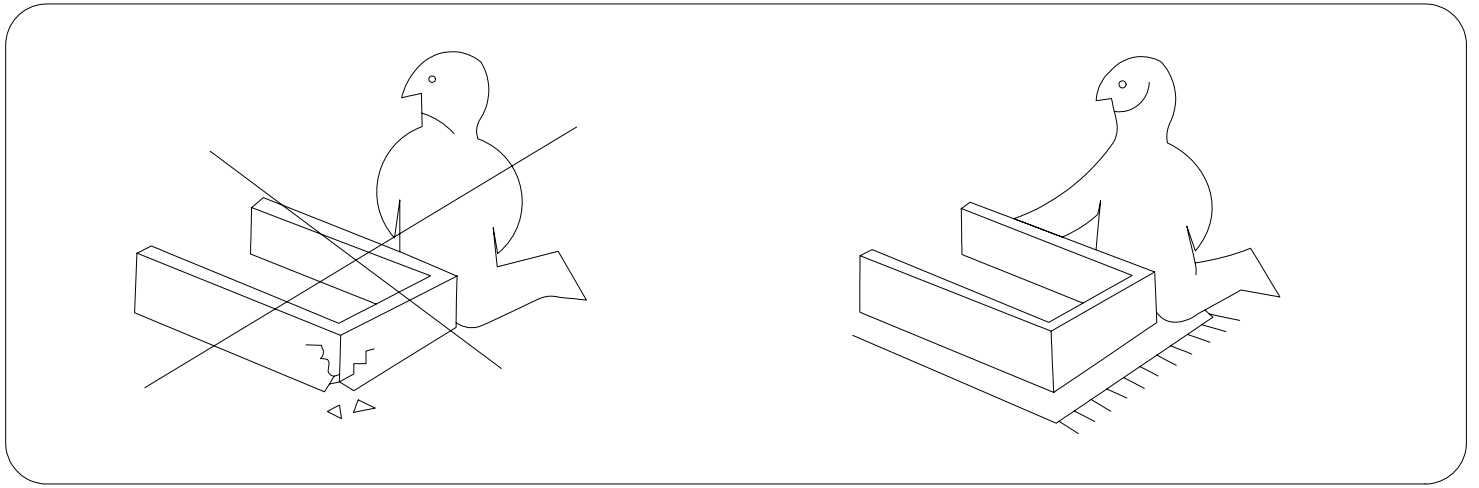
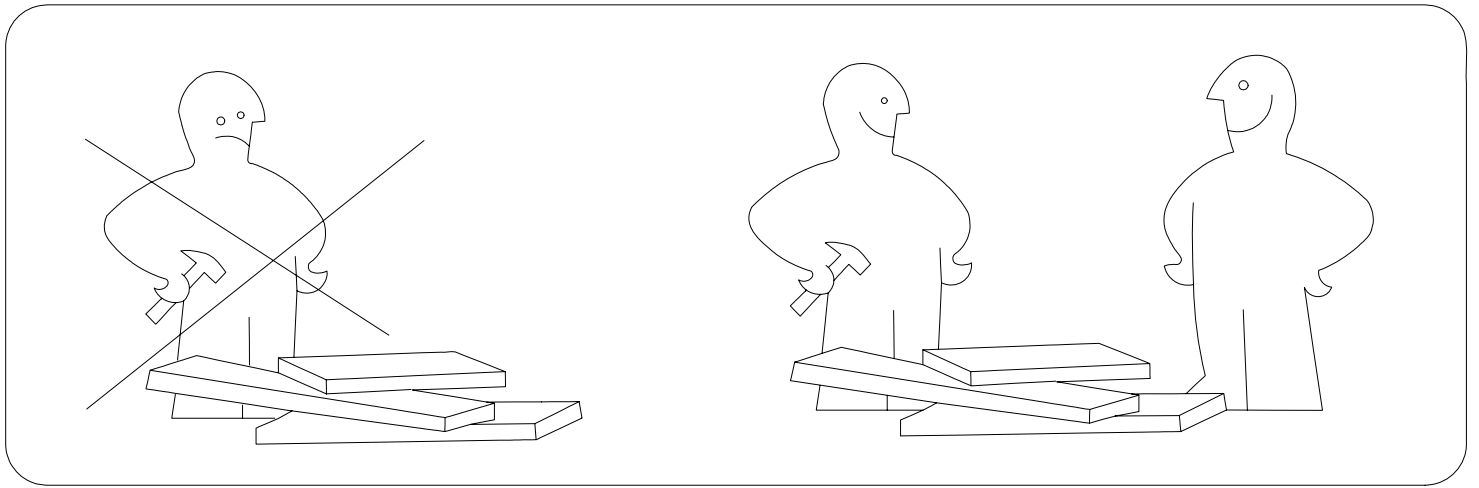
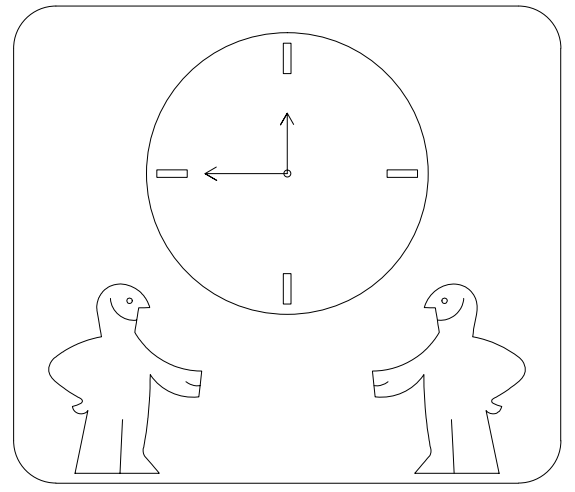
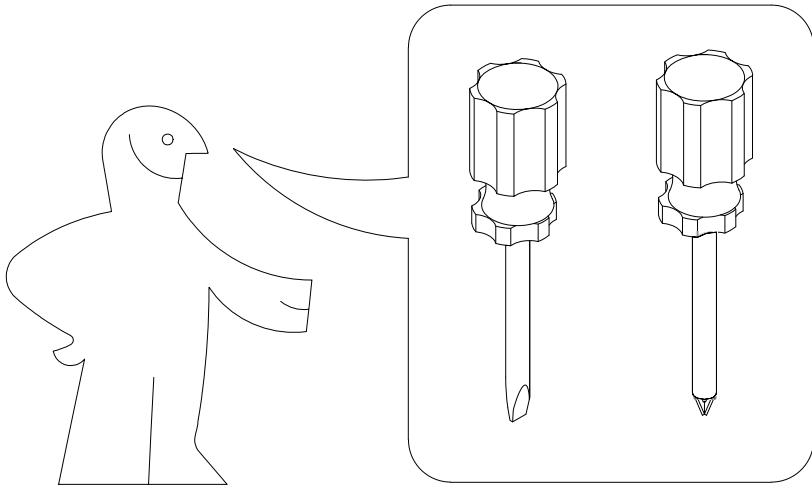
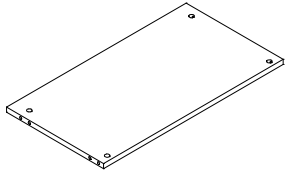
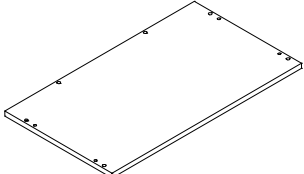
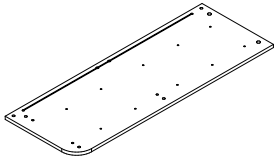
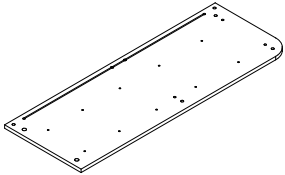
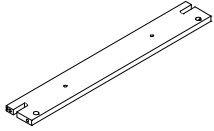
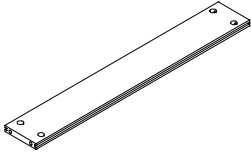
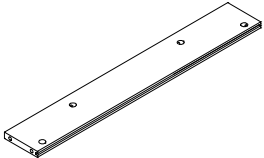
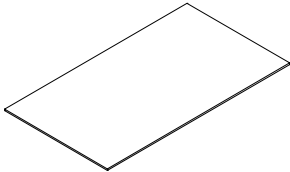
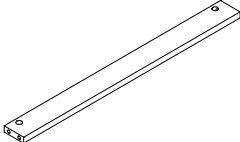
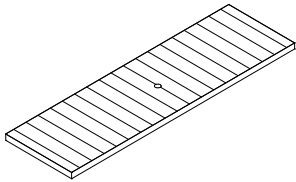


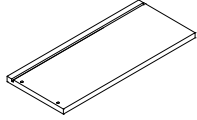
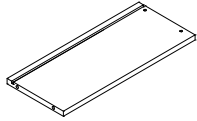
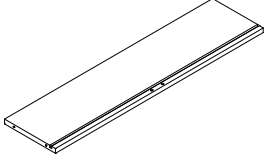
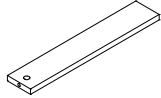
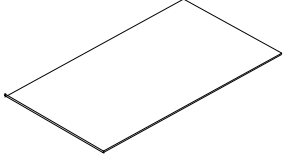
24790002/03  
24790002/13

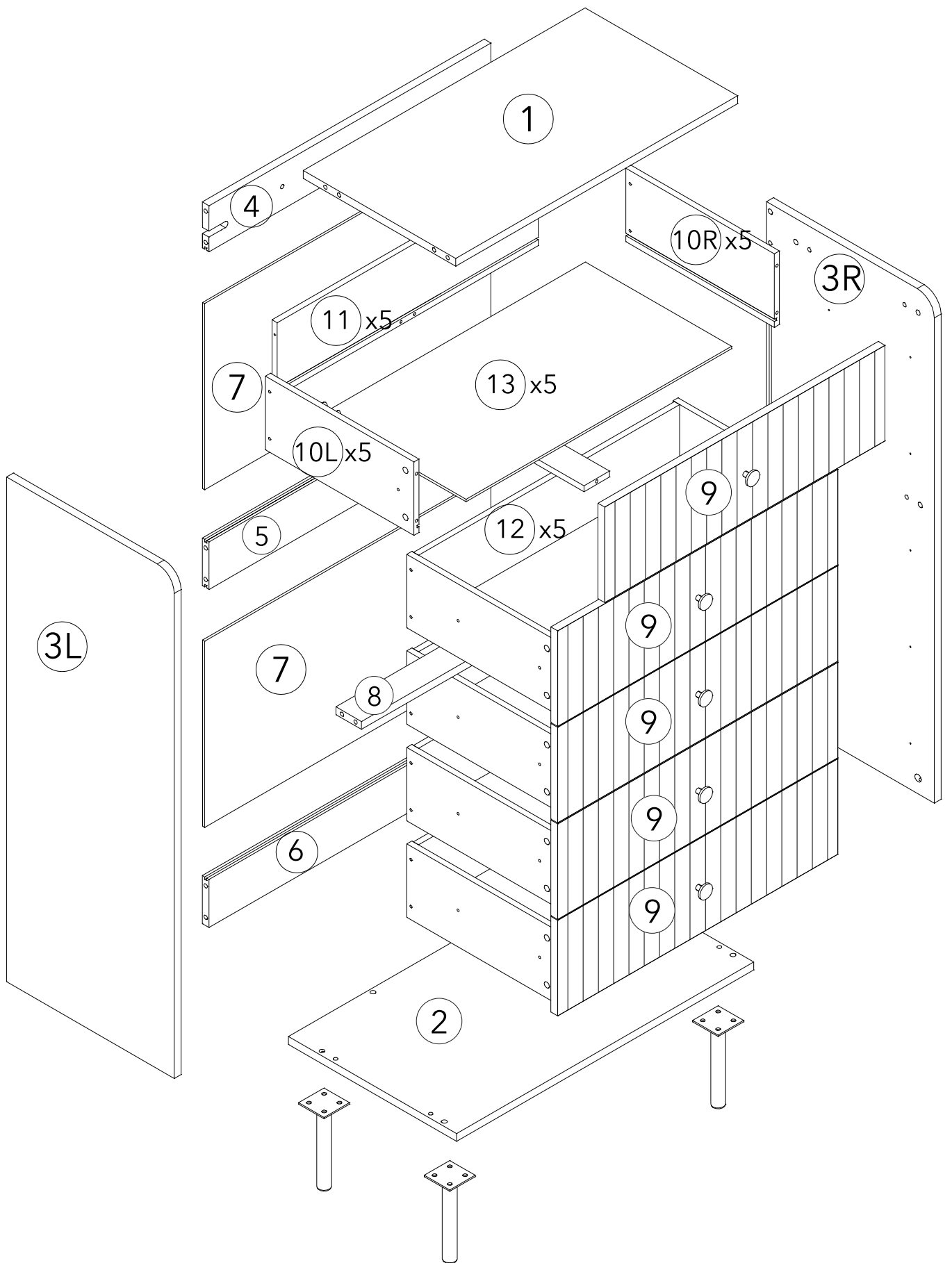
XXXLUTZ KG  
Roemerstrasse 39  
AT-4600 Wels, Austria  
E-Mail: info@xxxlutz.at



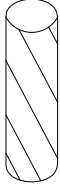

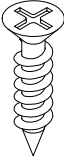
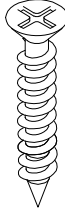
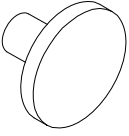
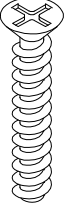
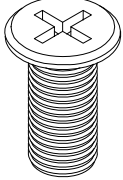
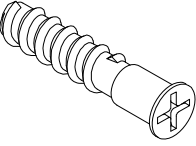
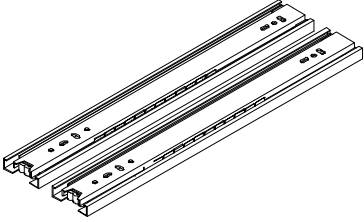
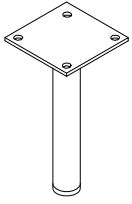
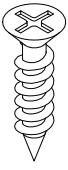
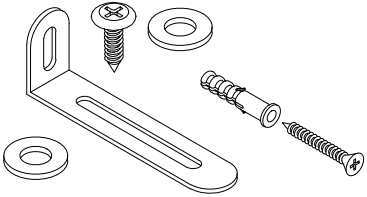



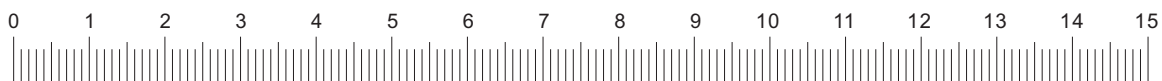


1	664x359x16		1
2	700x396x16		1
3L	1030x395x16		1
3R	1030x395x16		1
4	664x94x16		1
5	664x97x16		1
6	664x98x16		1
7	674x380x5		2
8	664x60x16		1
9	660x195x18		5

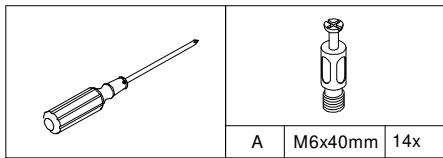
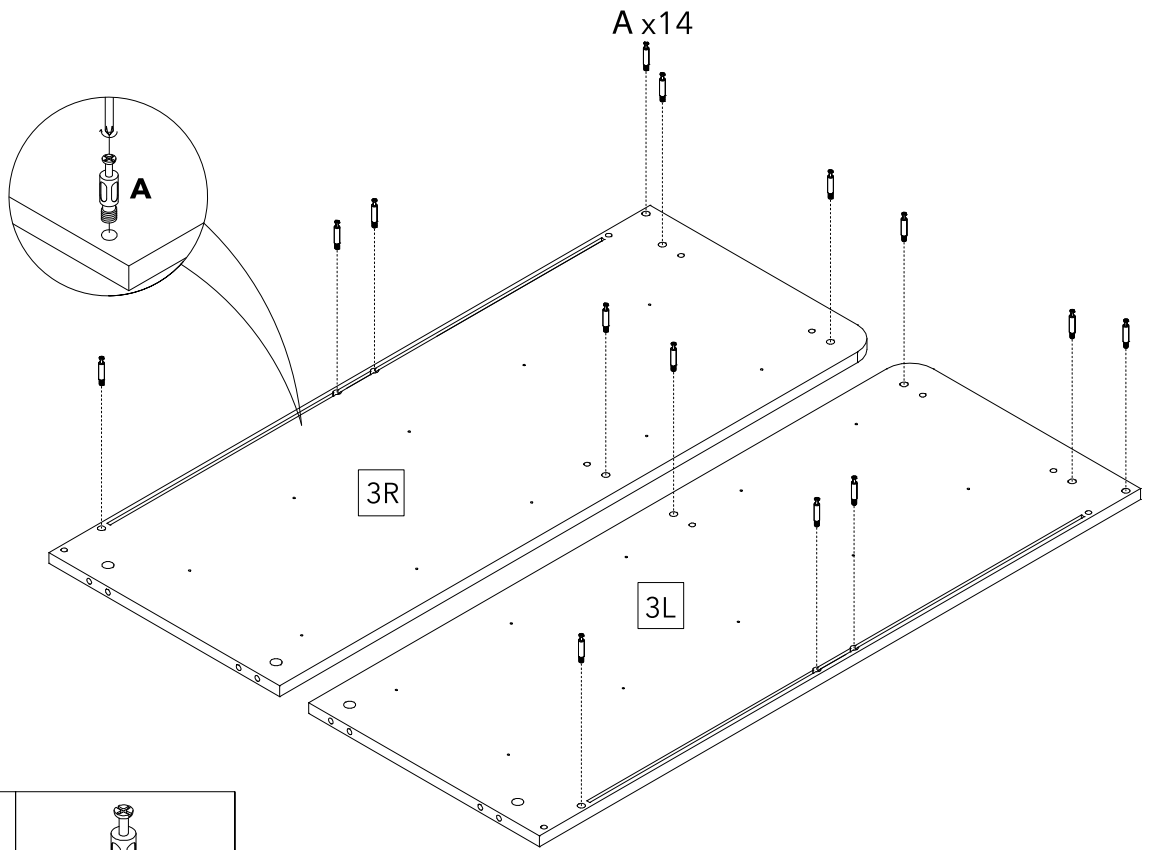
10L	350x150x12		5
10R	350x150x12		5
11	615x150x12		5
12	334x60x12		5
13	625x344x5		5



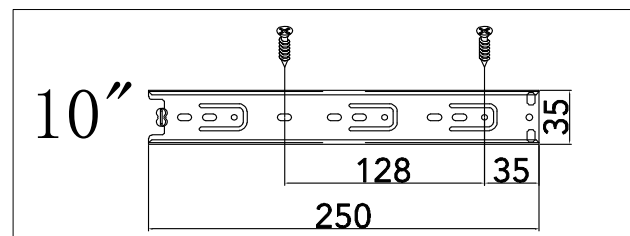
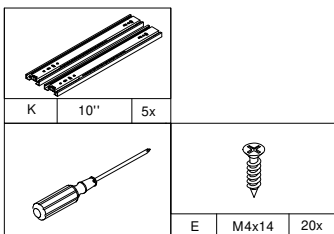
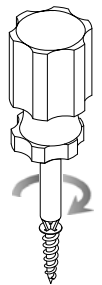
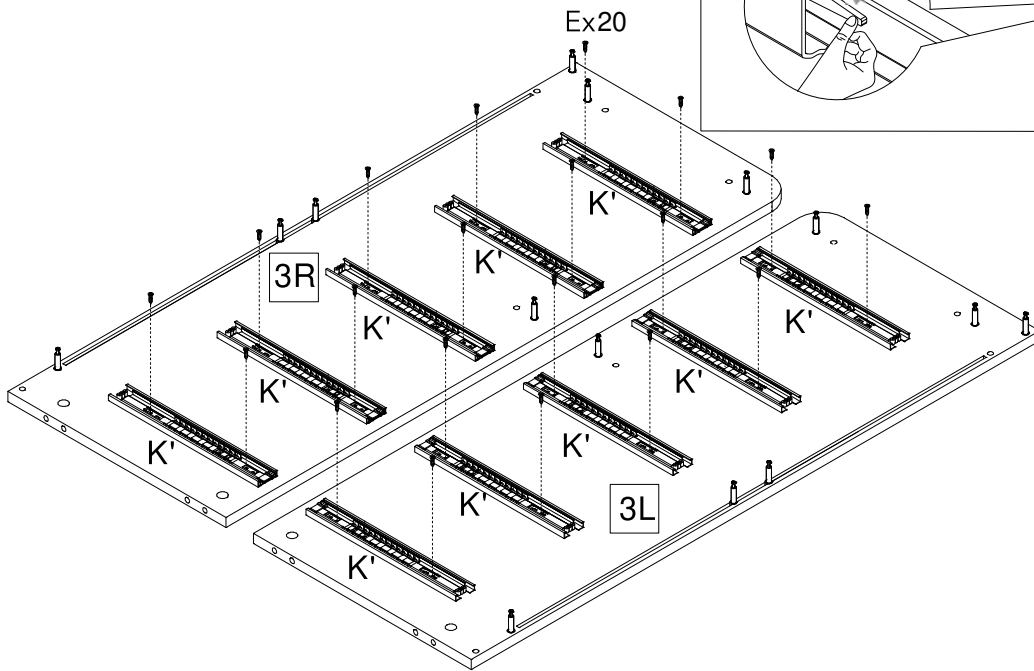
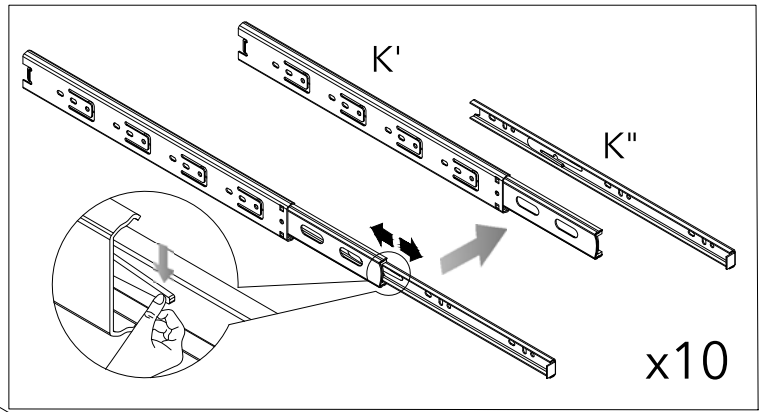
								
A	M6x40mm	20x	B	$\Phi 15 \times 11.5$	20x	C	$\Phi 8 \times 30$	14x
								
D	$\Phi 12 \times 10 \text{mm}$	25x	E	M4x14	40x	F	M4x30	30x
								
G	/	5x	H	M4x22mm	5x	I	M6x12mm	16x
								
J	M7x50mm	2x	K	10"	5x	L	H=172	4x
								
N	M3x12	8x	P	/	2x	Z	$\text{\O}20$	25x



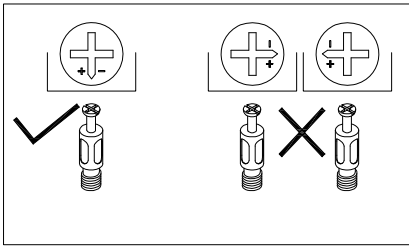
# 1



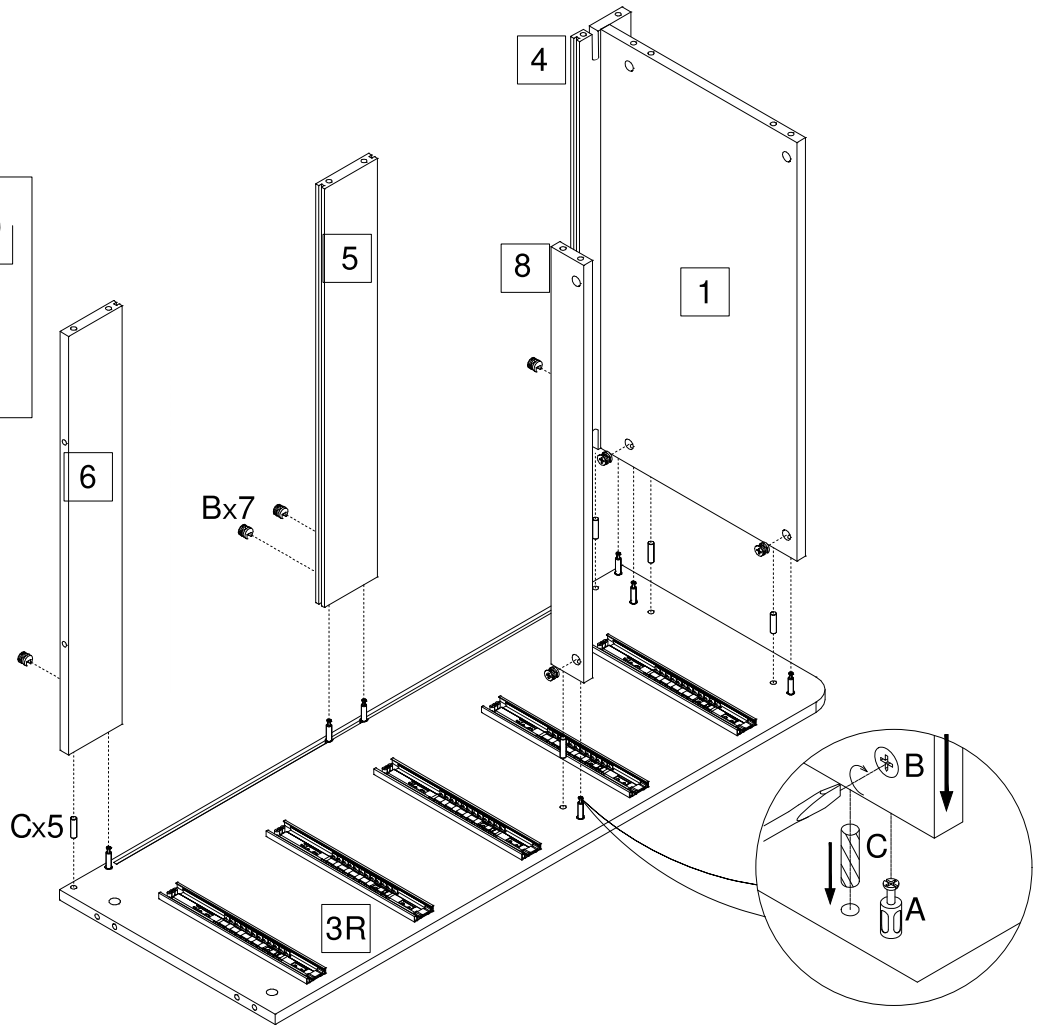
# 2



# 3

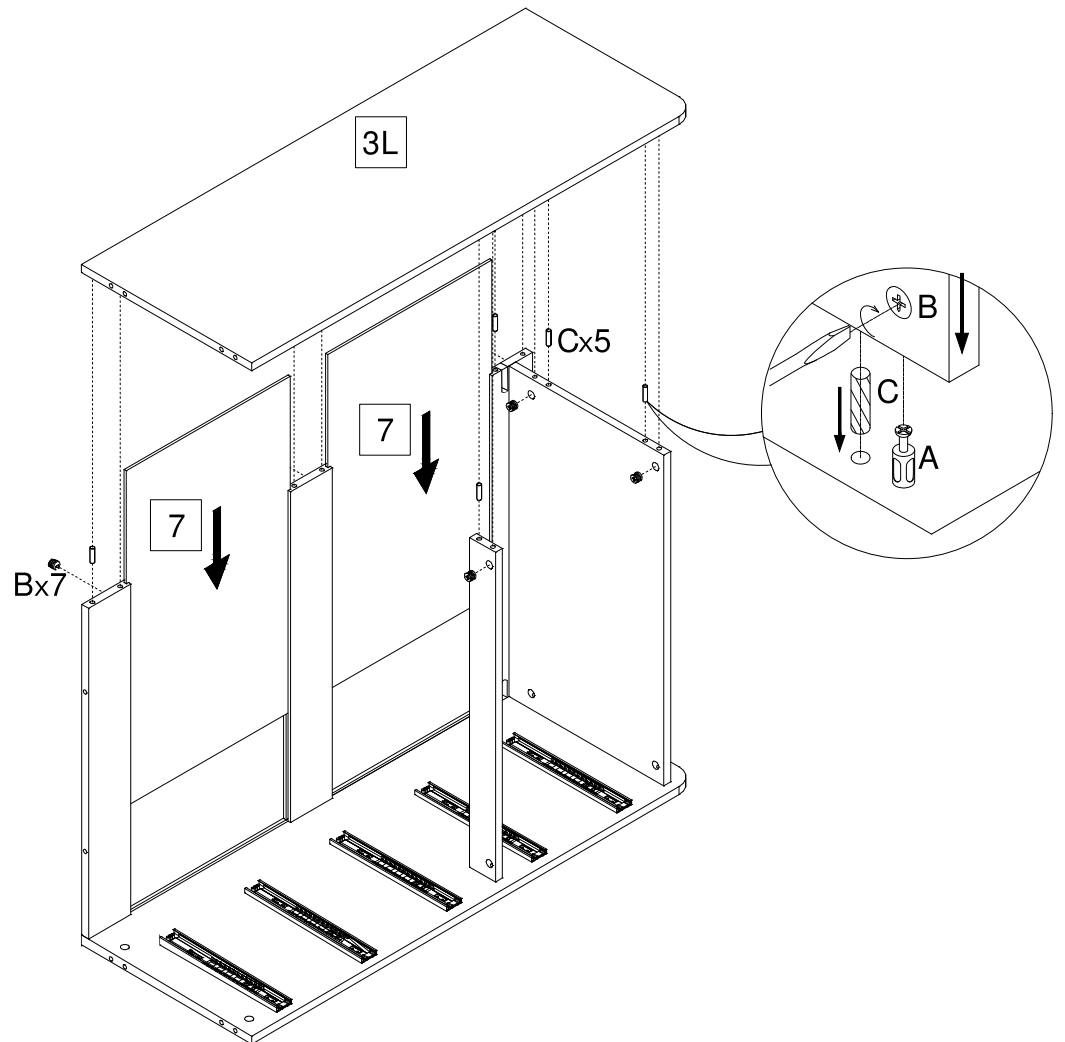


B	Φ15x11.5 7x
C	Φ8x30 5x

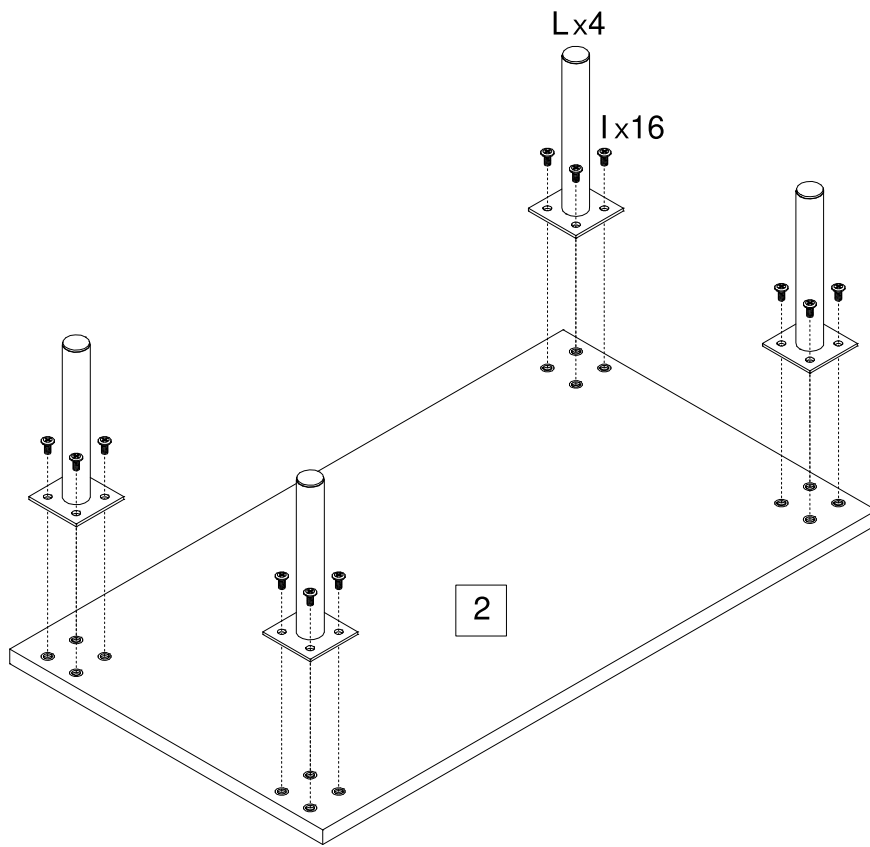


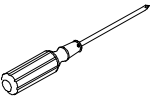


# 4

B	Φ15x11.5 7x
C	Φ8x30 5x

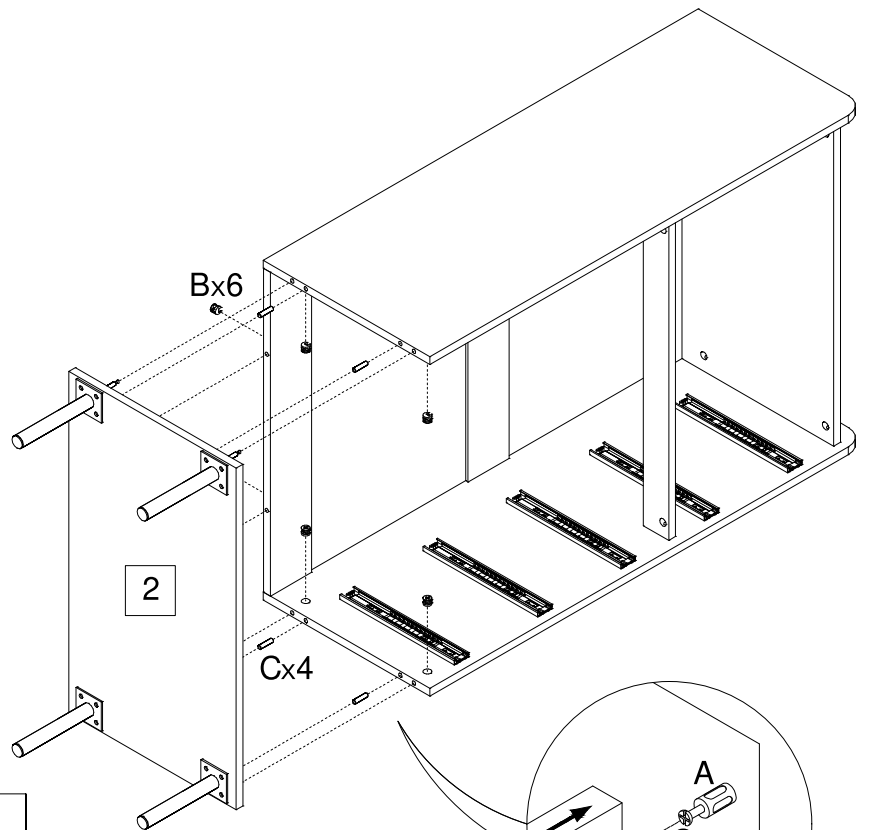
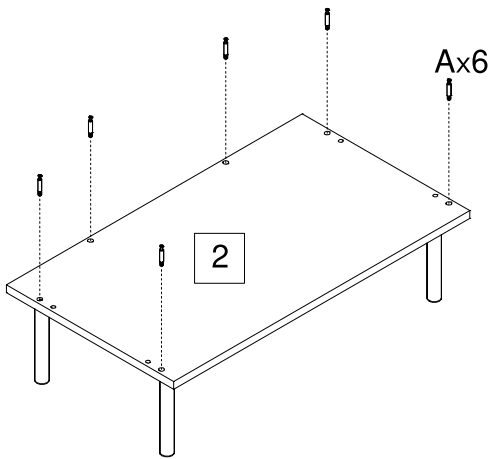


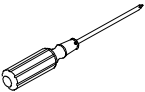




# 5



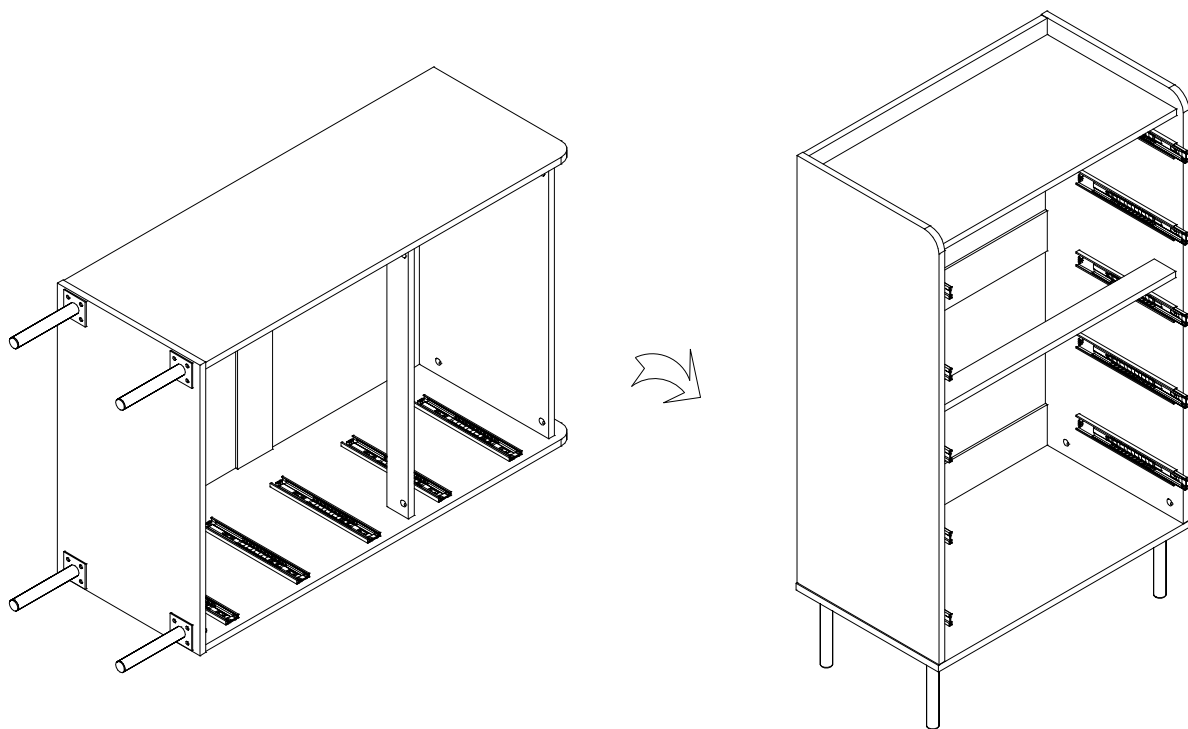
		
	I M6x12mm 16x	L H=172 4x

# 6

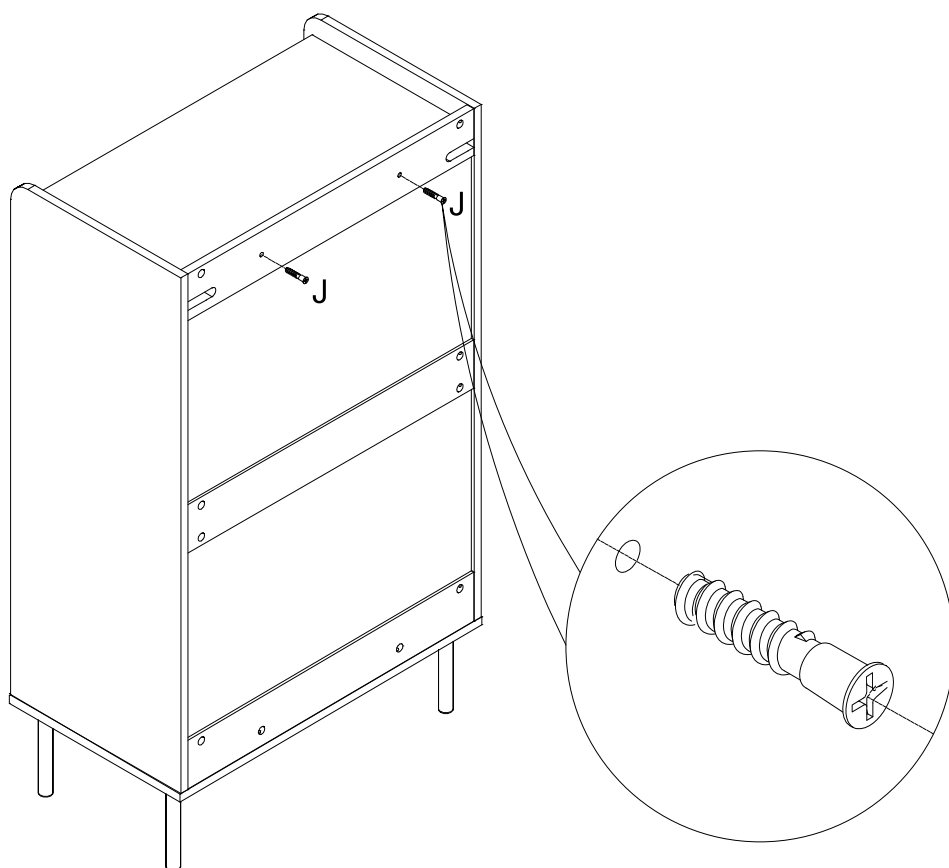


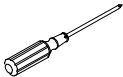

		
	A M6x40mm 6x	B $\Phi$ 15x11.5 6x
		
	C $\Phi$ 8x30 4x	

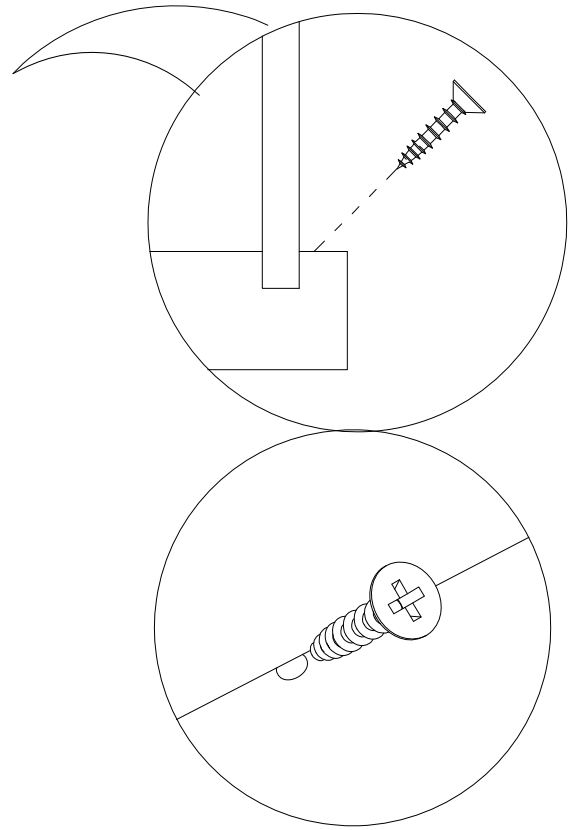
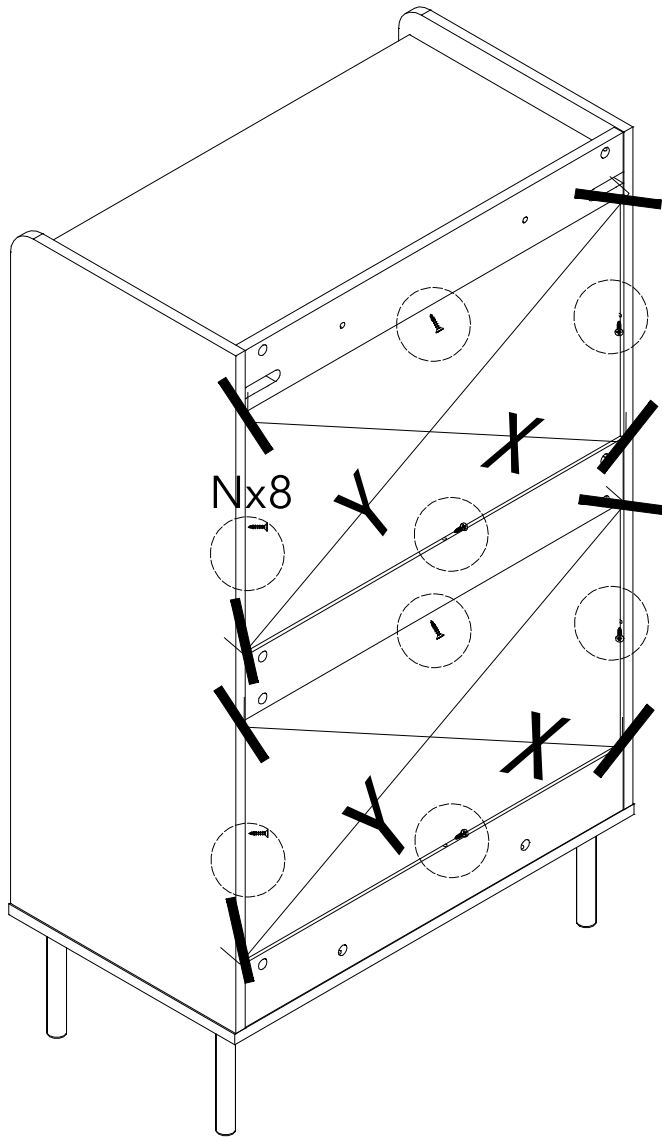
7



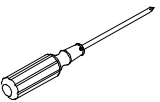

8



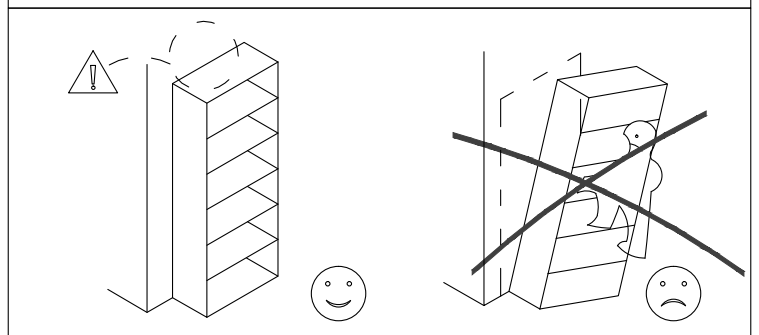
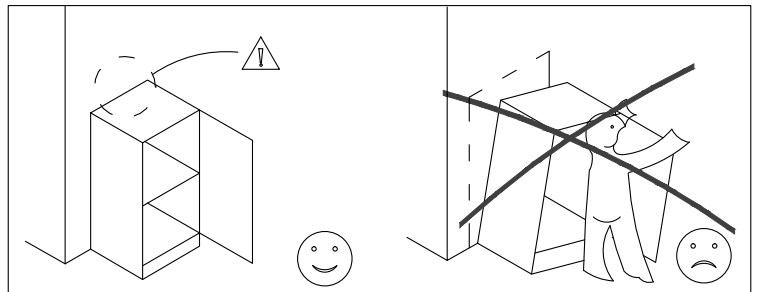
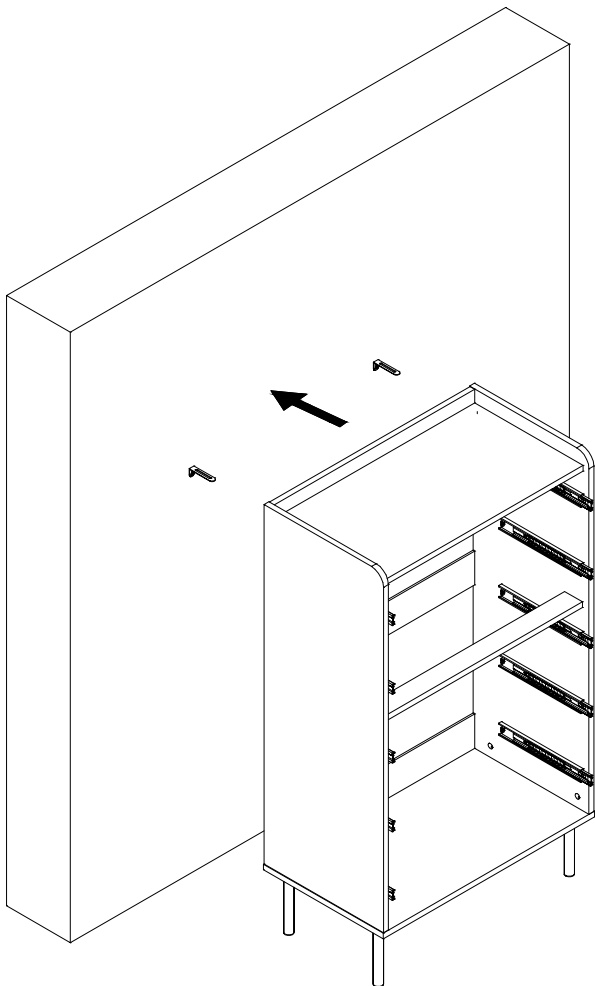
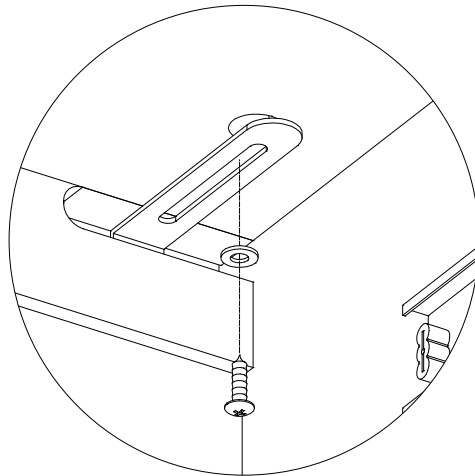
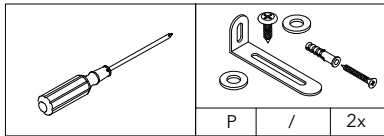
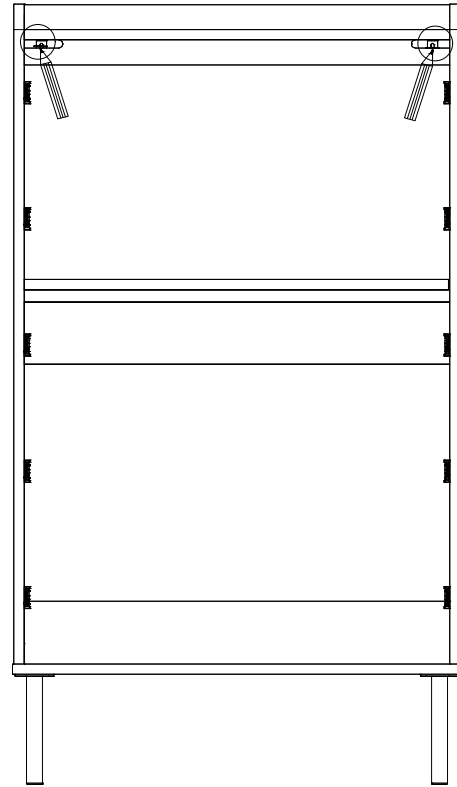
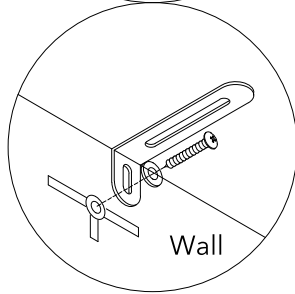
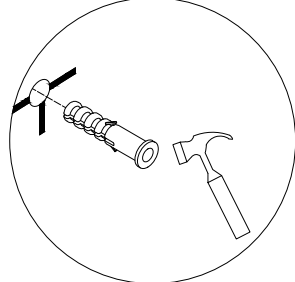
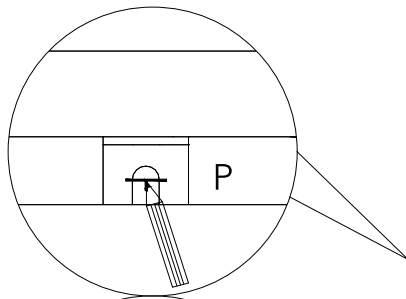
	
J	M7x50mm 2x



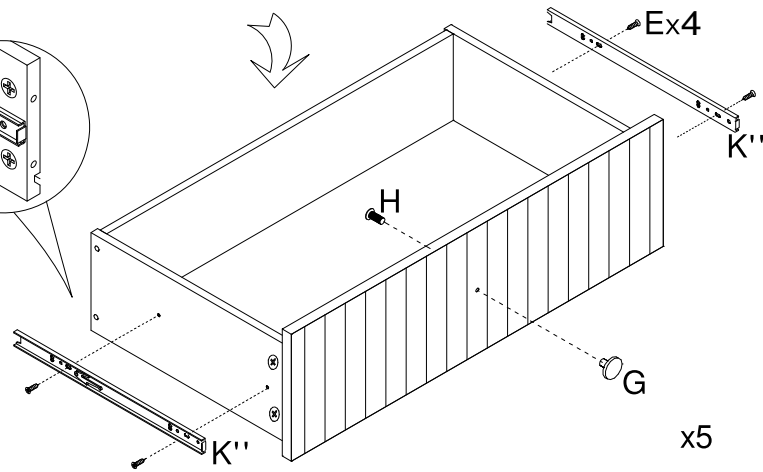
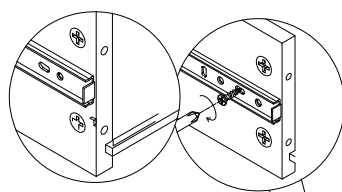
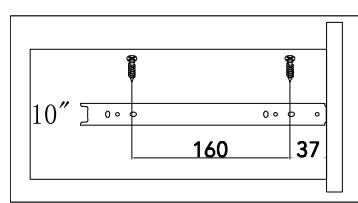
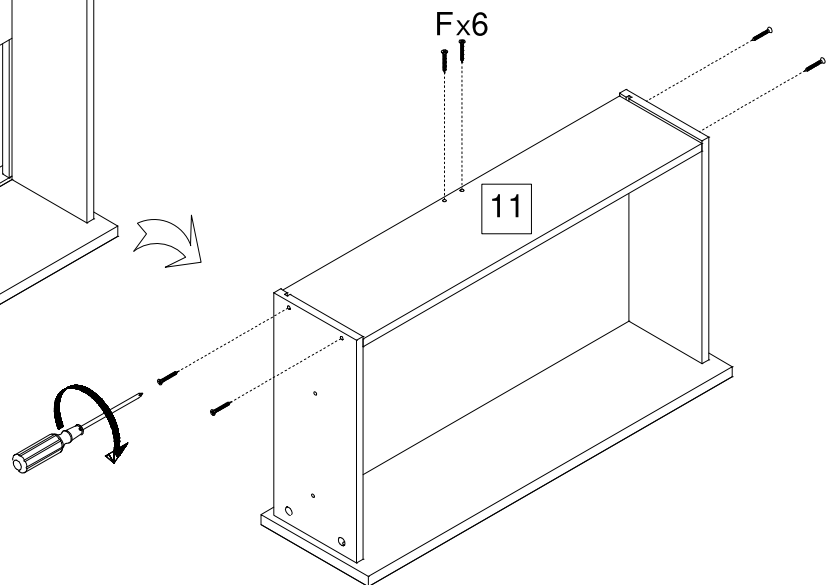
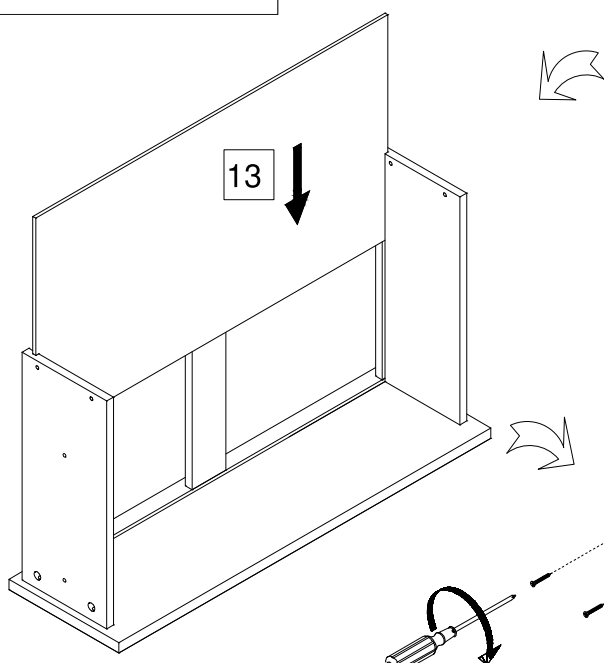
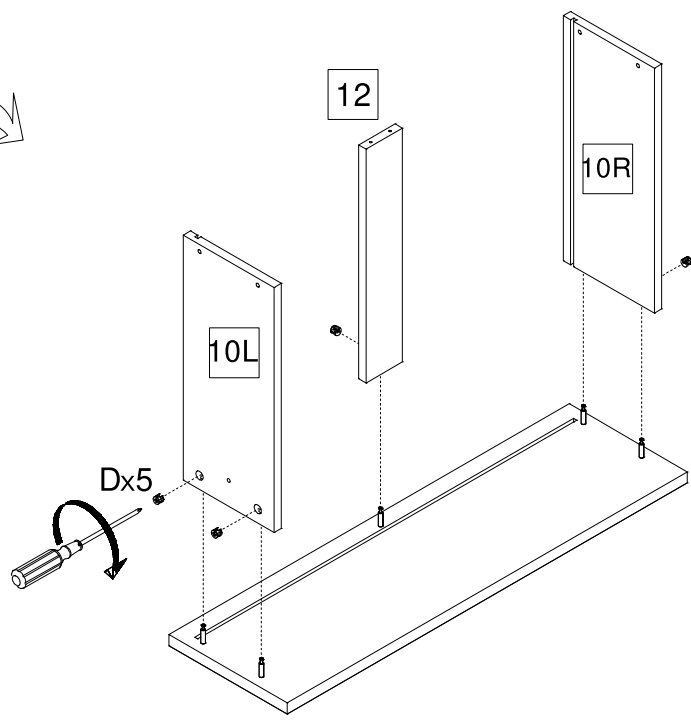
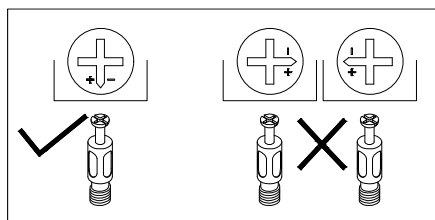
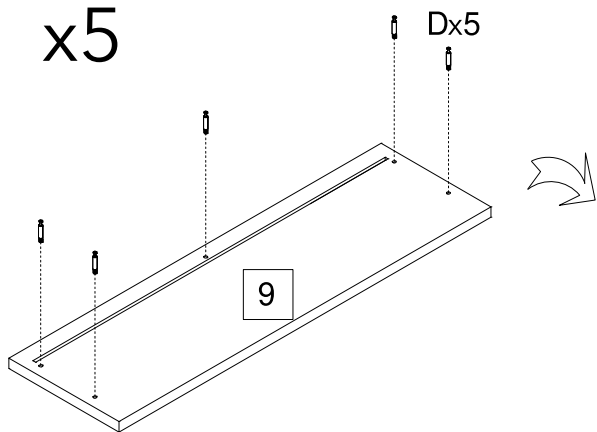
**X=Y**

	
N	M3x12 8x

10



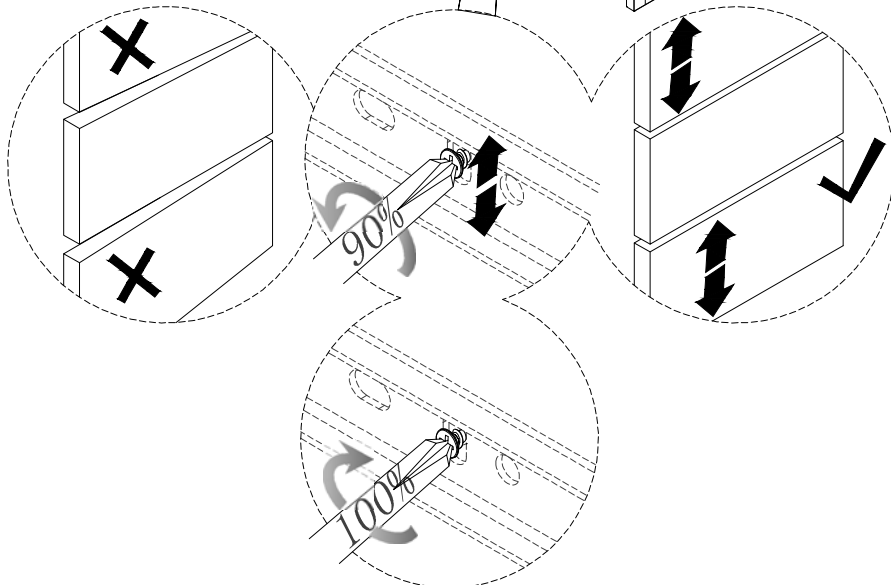
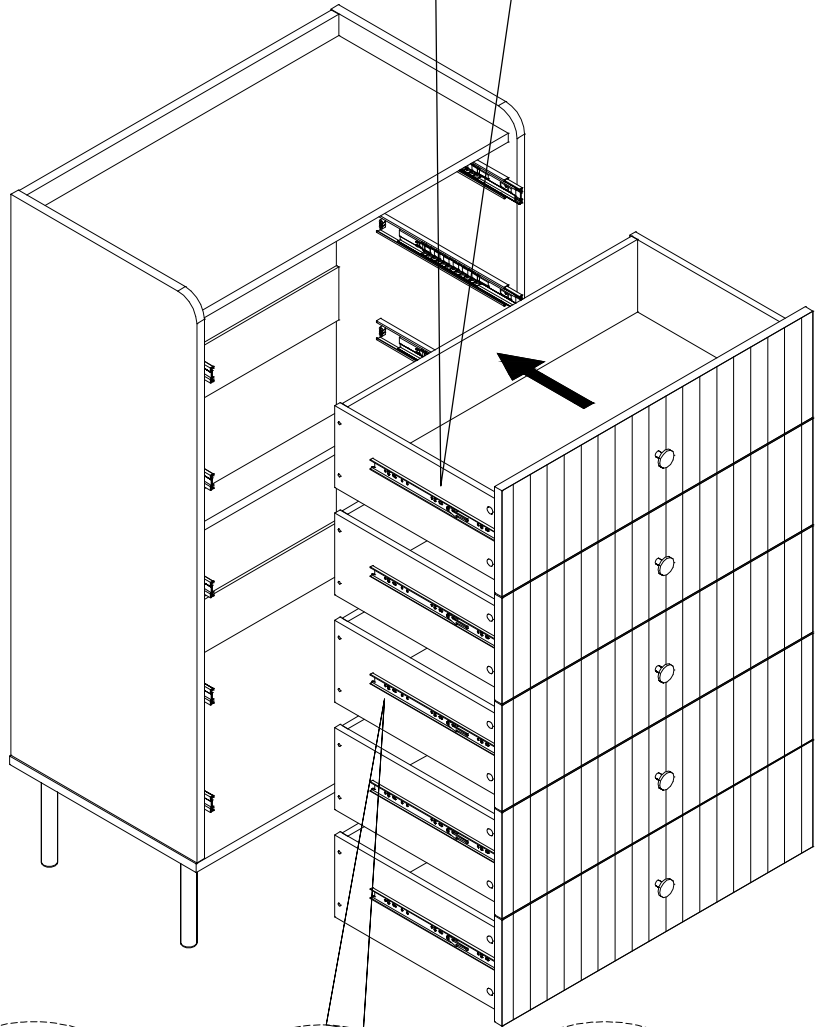
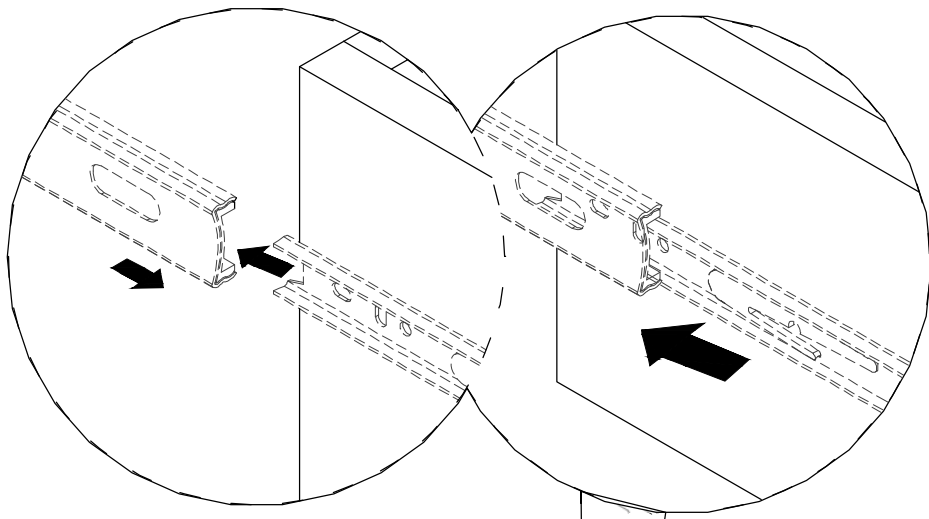
11 x5



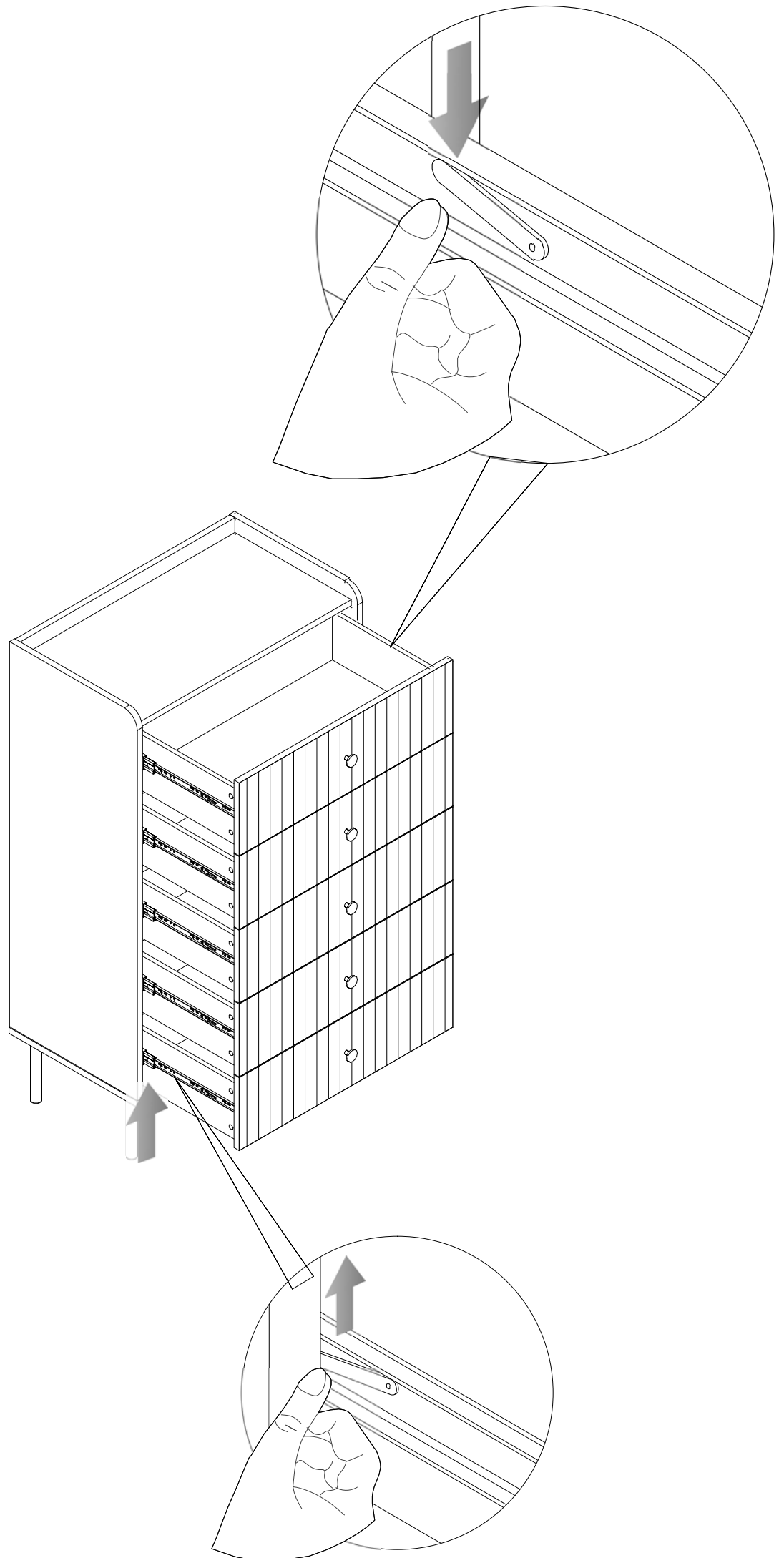
G	H	K	10"	5x				
D	Φ12x10mm	25x	E	M4x14	20x	F	M4x30	30x

x5

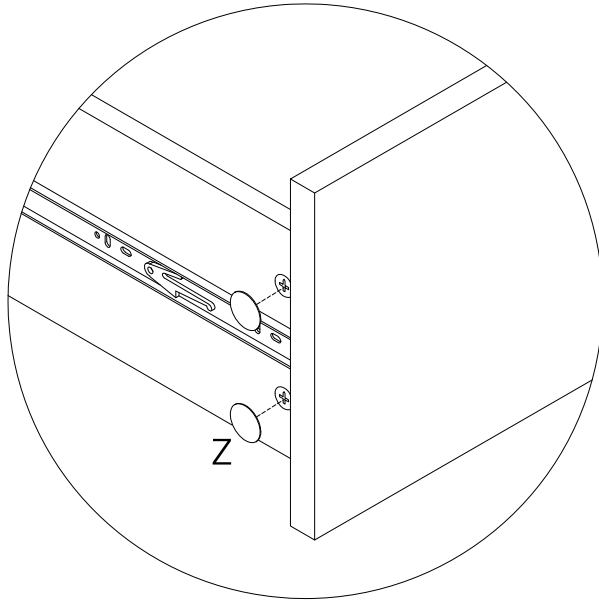
12




13



14



		
Z	φ20	25x

