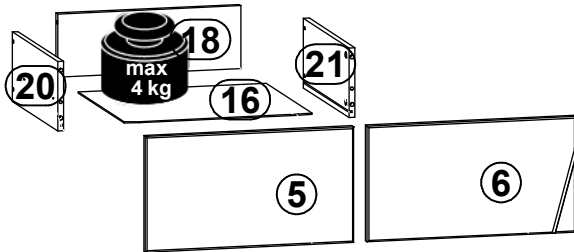
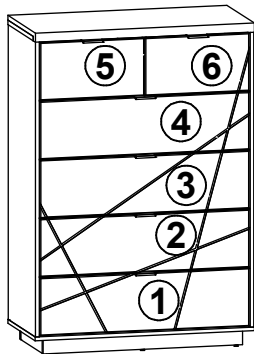
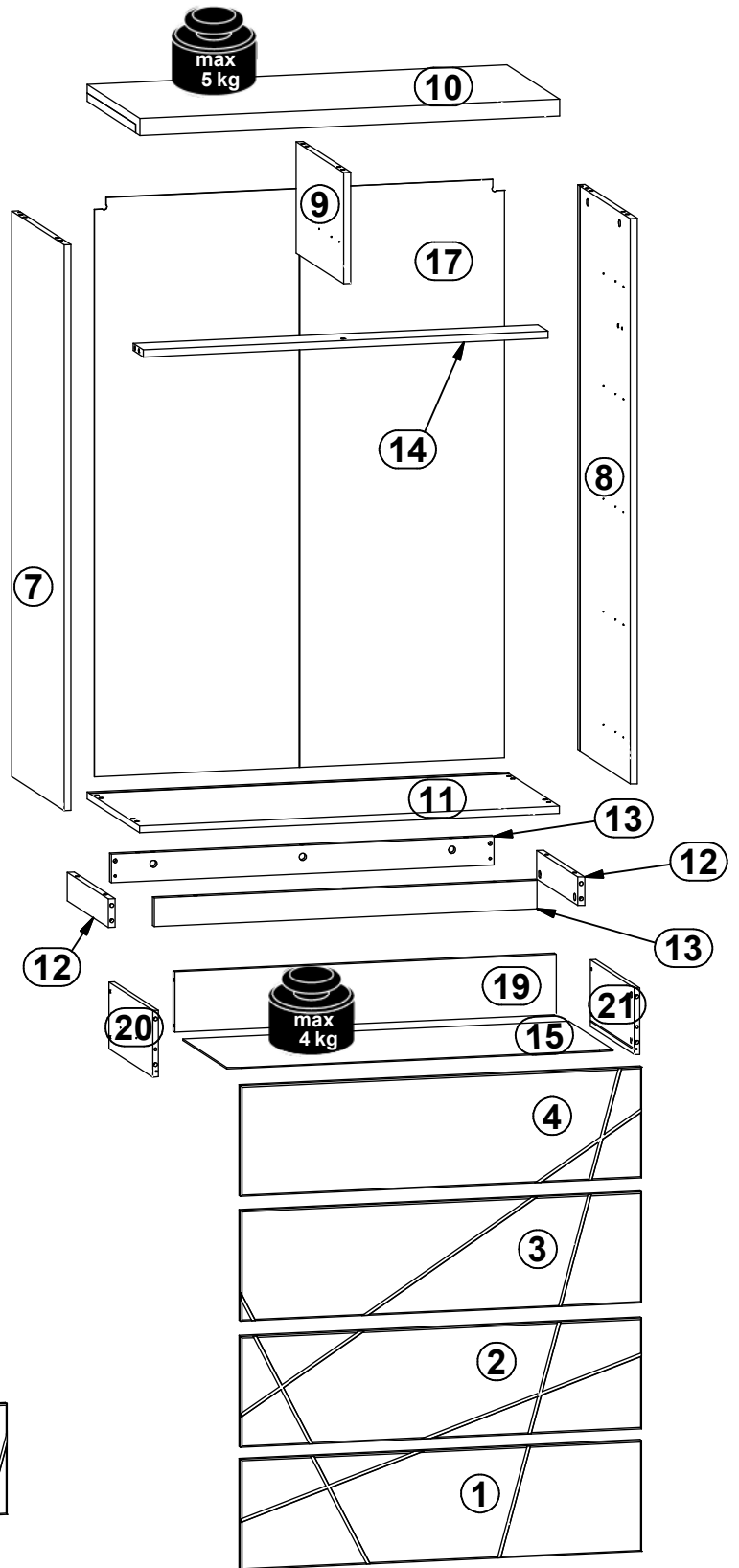
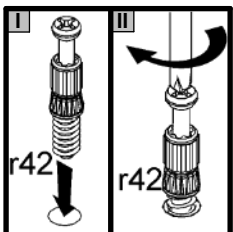
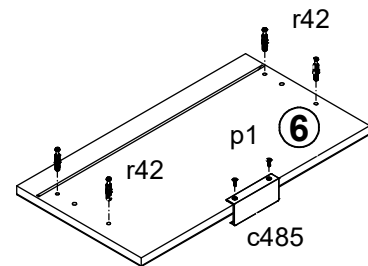
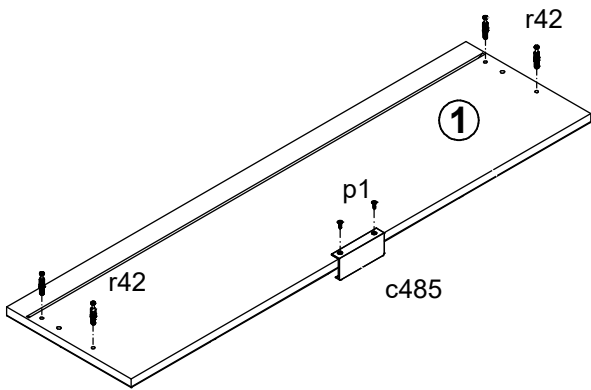
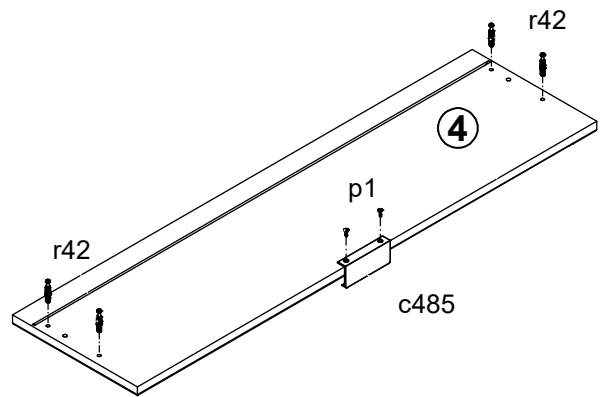
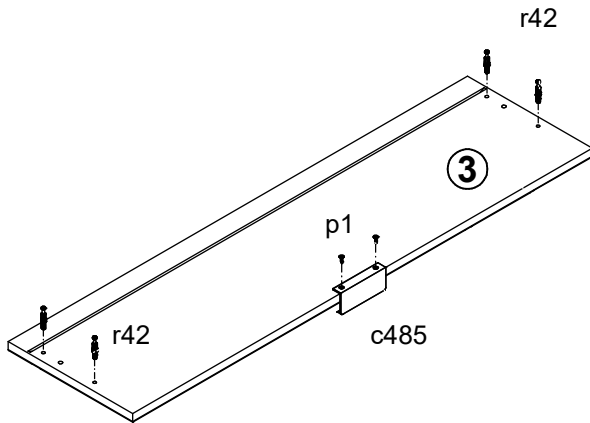
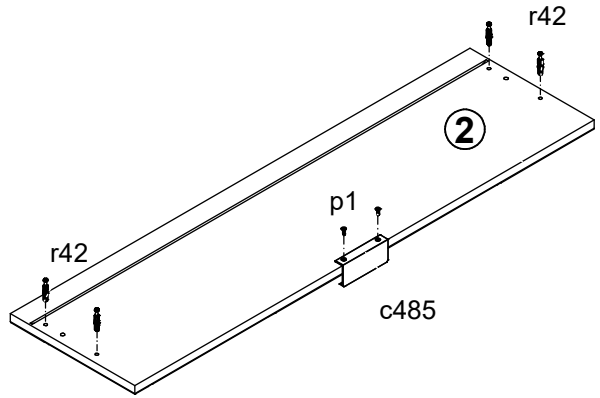
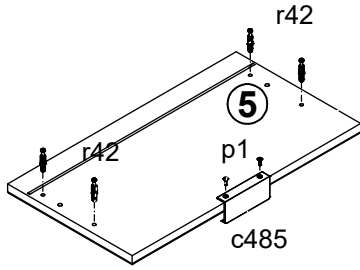


A	B	C	D	
1	S471-0024	860	233	2/2
2	S471-0025	860	233	2/2
3	S471-0026	860	233	2/2
4	S471-0027	860	233	2/2
5	S471-0028	428	233	2/2
6	S471-0029	428	233	2/2
7	S471-1020	1189	419	1/2
8	S471-1021	1189	419	1/2
9	S471-1022	234	381	2/2
10	S471-2017	900	422	1/2
11	S471-2018	900	419	1/2
12	S471-4002	329	60	2/2
13	S471-4019	820	60	2/2
14	S471-4020	868	80	2/2
15	S471-9012	828	357	2/2
16	S471-9013	386	357	2/2
17	S471-9306	1217	879	1/2
18	ZK3-5158	376	127	2/2
19	ZK3-5159	818	127	2/2
20	ZK4-513	350	140	1/2
21	ZK4-514	350	140	1/2

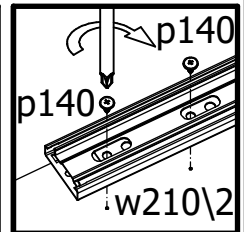
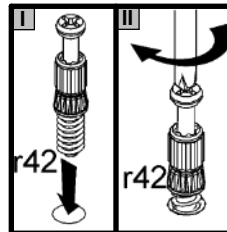
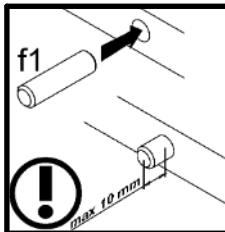
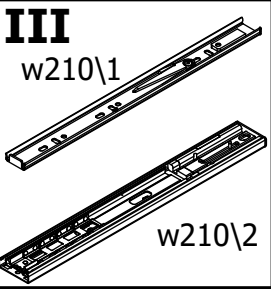
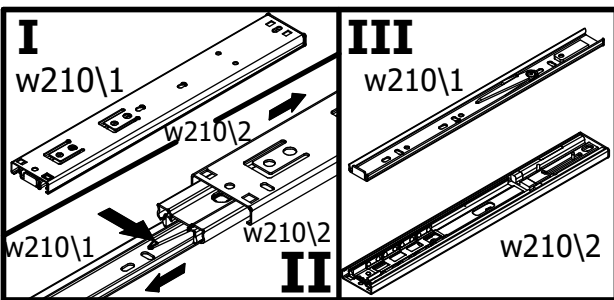
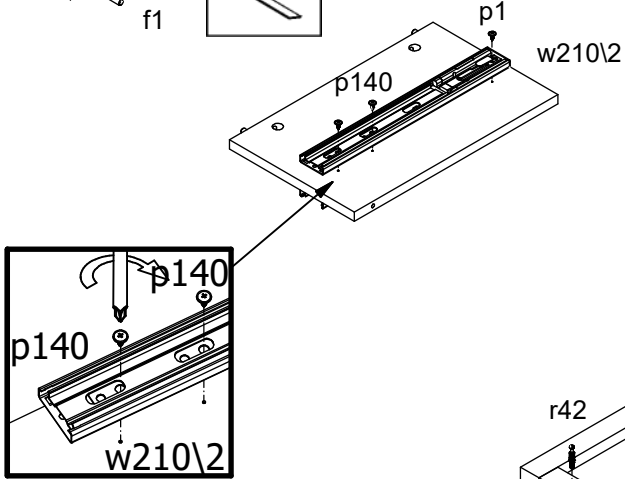
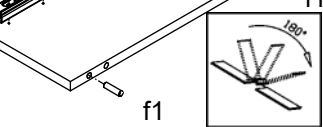
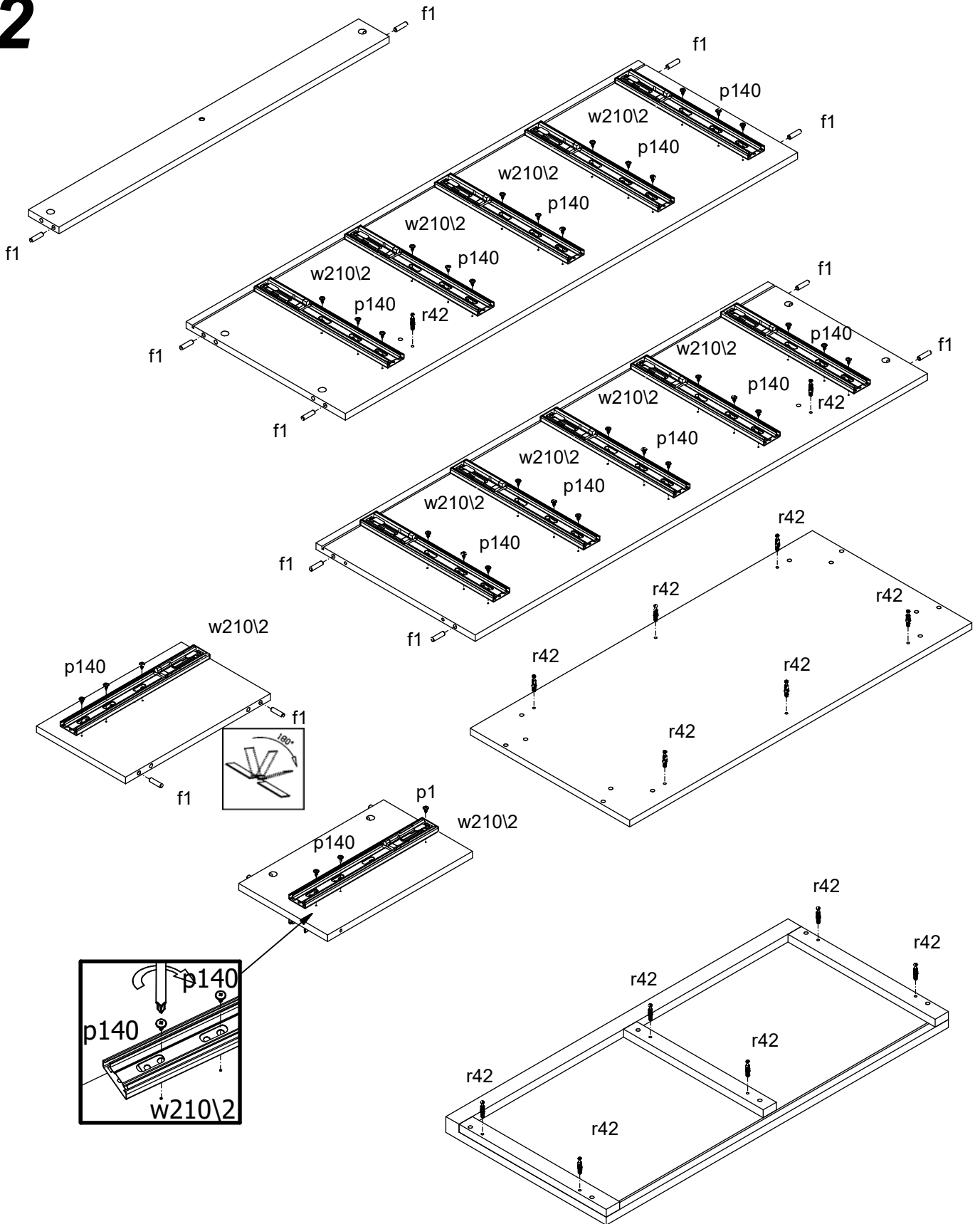


5x Ø7x50 mm e1	24x Ø8x30 mm f1	24x Ø6.5x40 mm f25	12x Ø6x30 mm f9	6x k1	10x l2	13x Ø3.5x13 mm p1	71x Ø3.5x12 mm p140	4x Ø3.5x10 mm p35
4x Ø3.5x15 mm p51	30x Ø2.9x16 mm p55	18x Ø15x12 mm #16 r1	24x Ø12x10.5 mm #12 r15	42x 20/11 r42	4x 350 mm t35	12x L-350 mm w210/2	1x 4 mm z1	1x n26
1x Ø3.5x16 mm p38	12x L-350 mm w210/1	6x 84 mm c485						

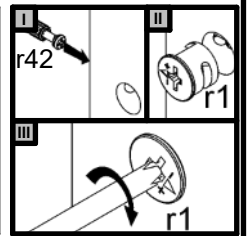
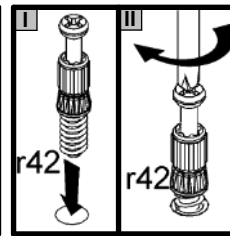
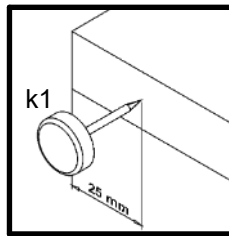
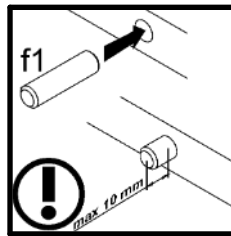
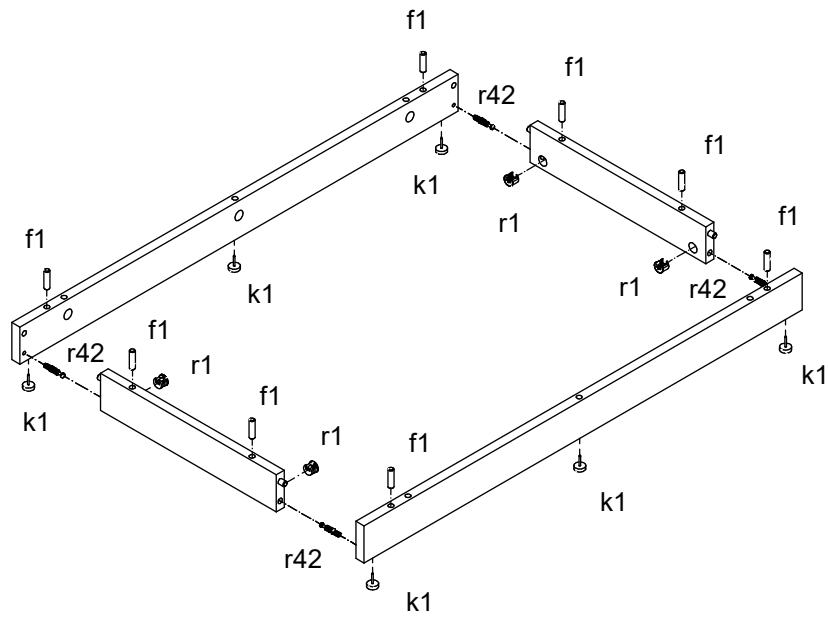
1 §2



2



3



4

