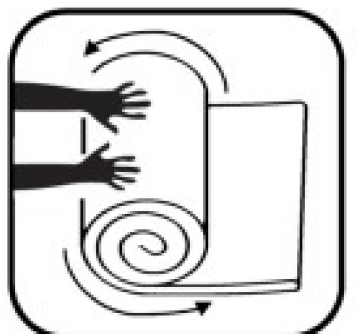
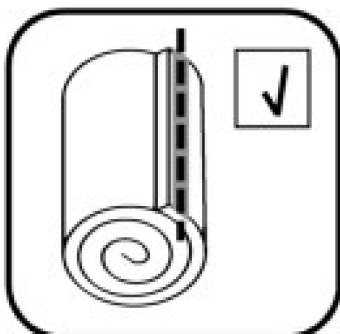
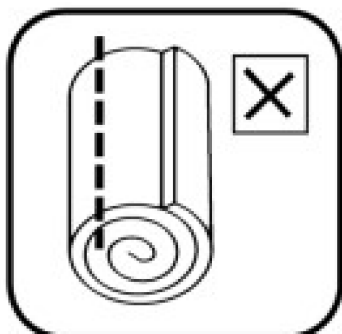
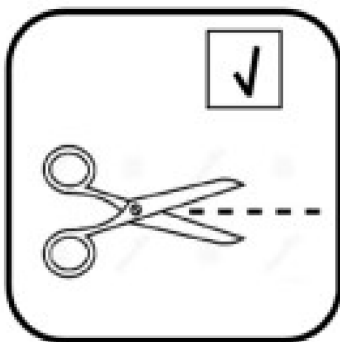
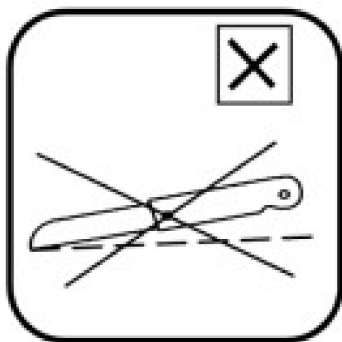
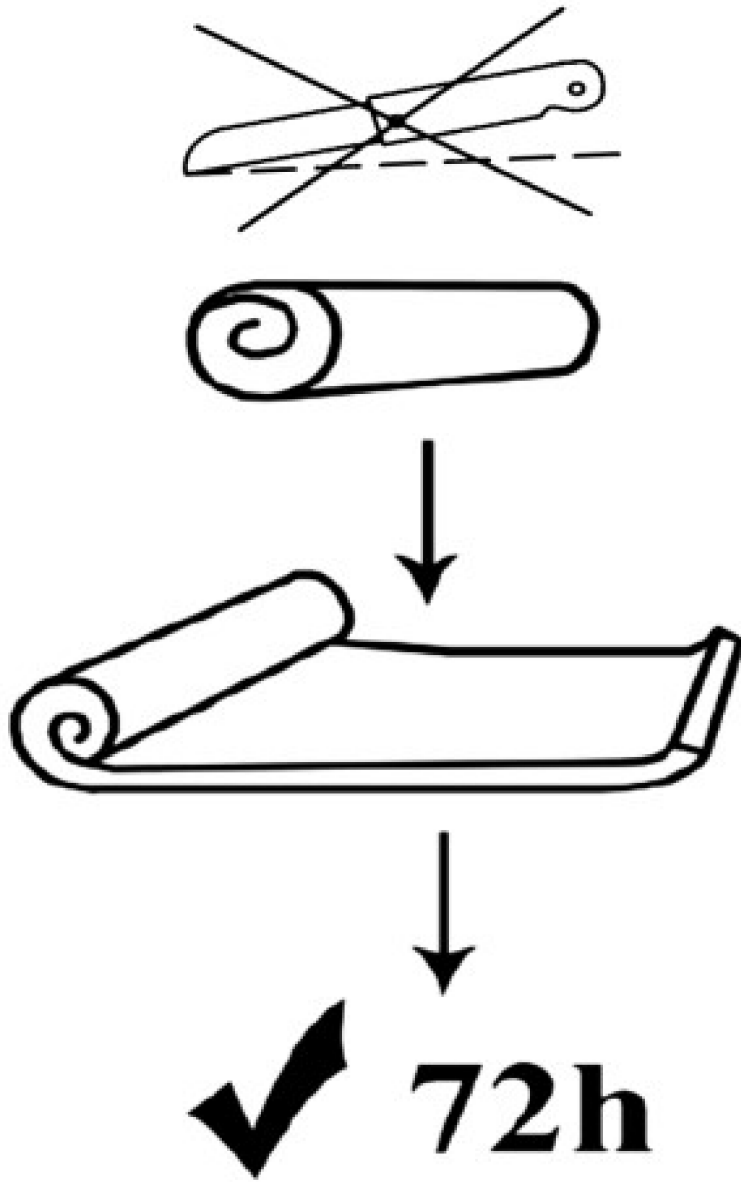


TARO





1



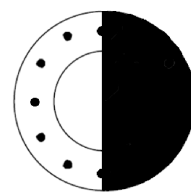
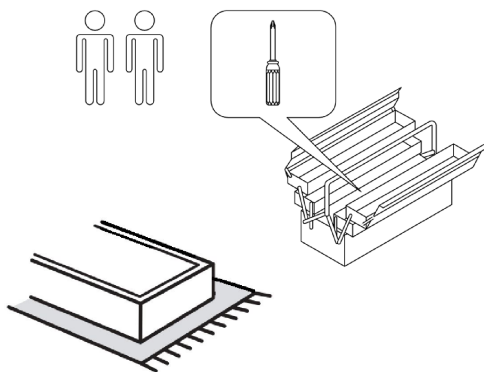
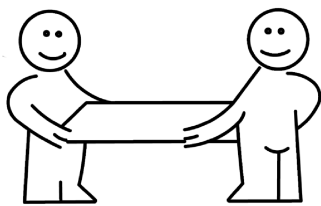
2




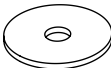
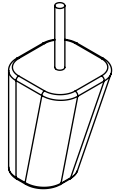


3

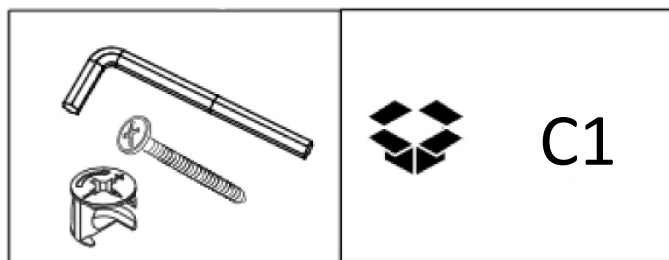


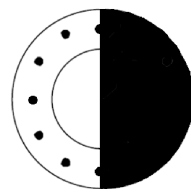
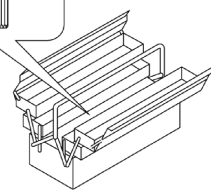
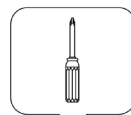
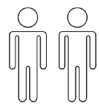
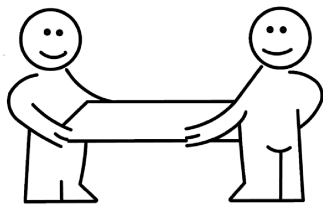
4



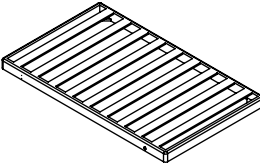
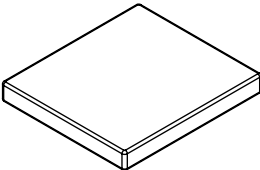
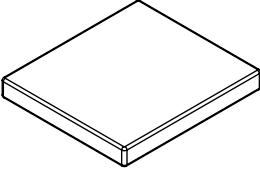
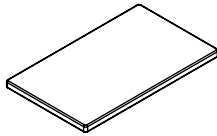
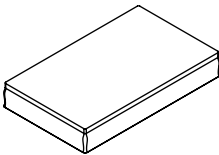
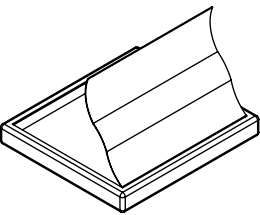
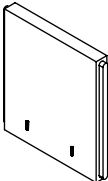
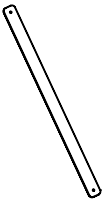
90 min

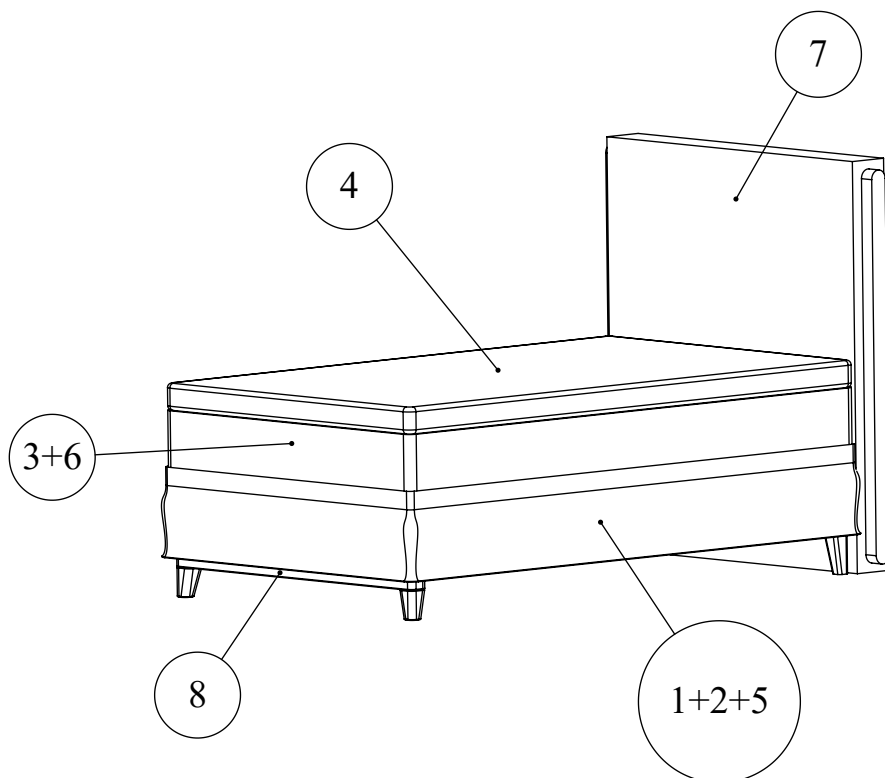
					
A x 2	B x 4	C x 2	D x 4	E x 4	

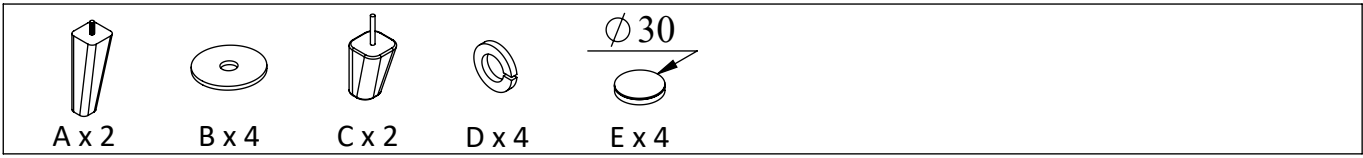




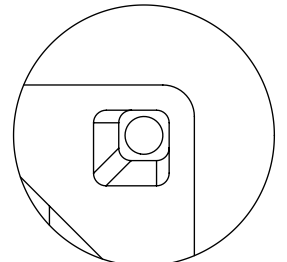
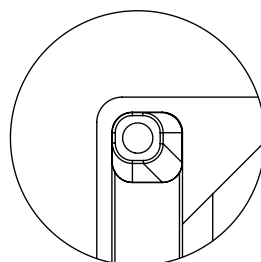
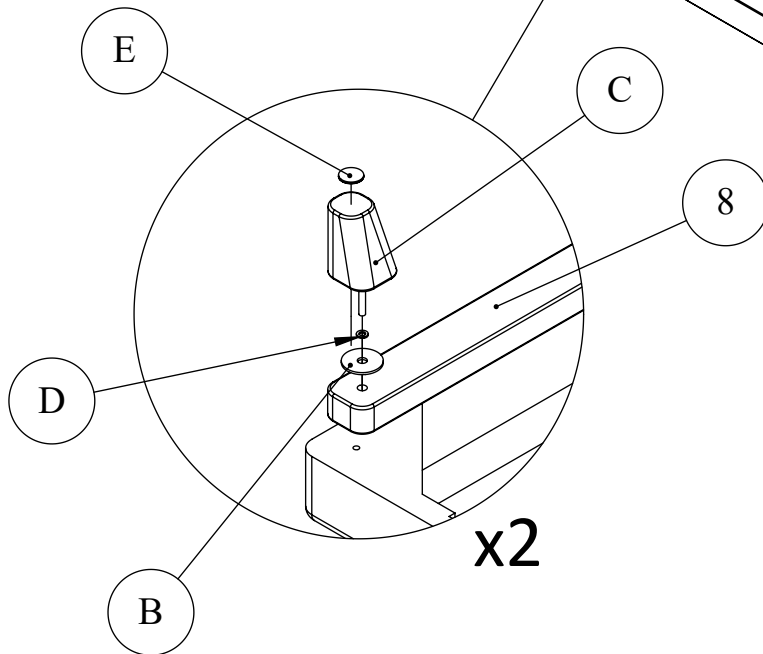
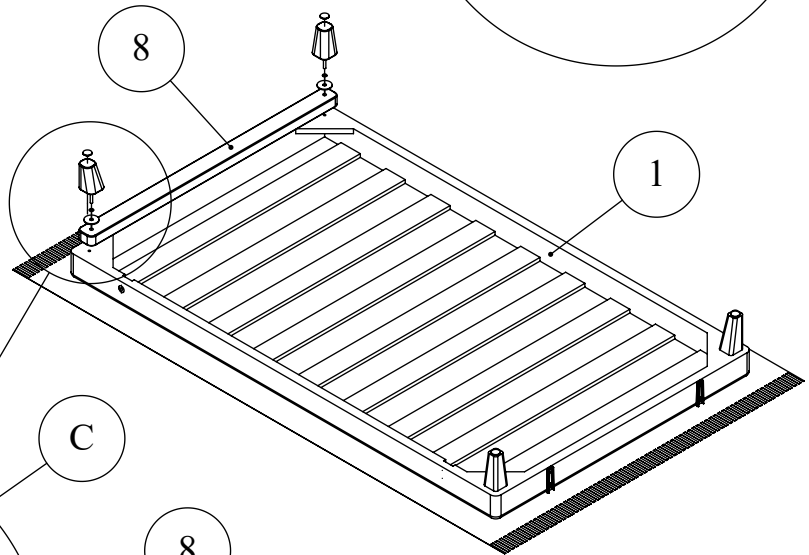
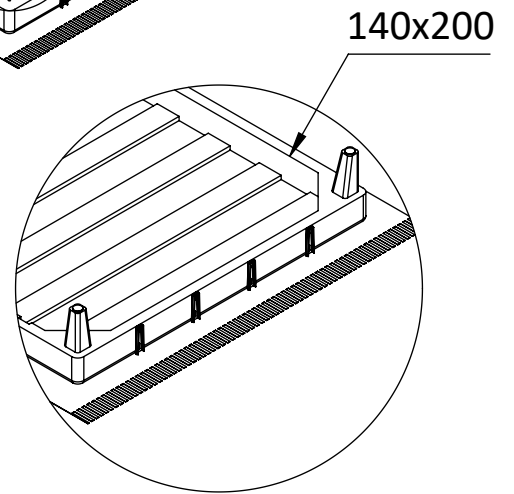
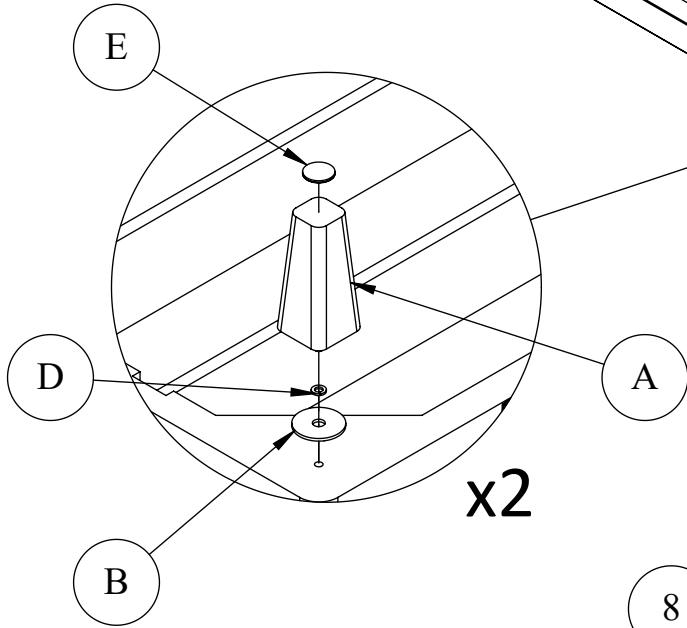
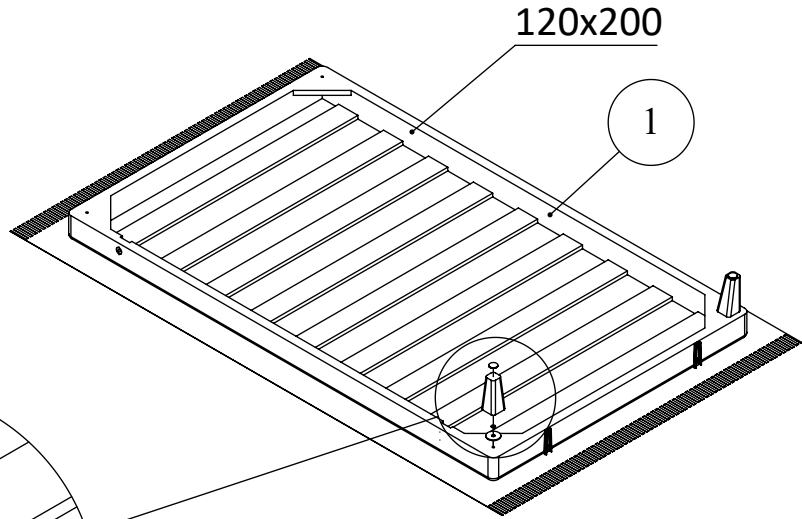
90 min

				
① x 1 (C1)	② x 1 (C2)	③ x 1 (C3)	④ x 1 (C3)	⑤ x 1 (C2)
				
⑥ x 1 (C3)	⑦ x 1 (C4)	⑧ x 1 (C4)		

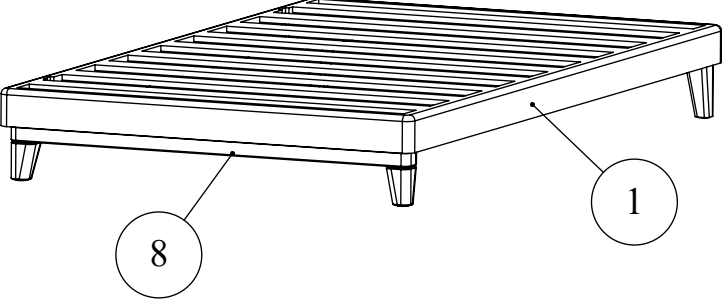
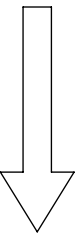
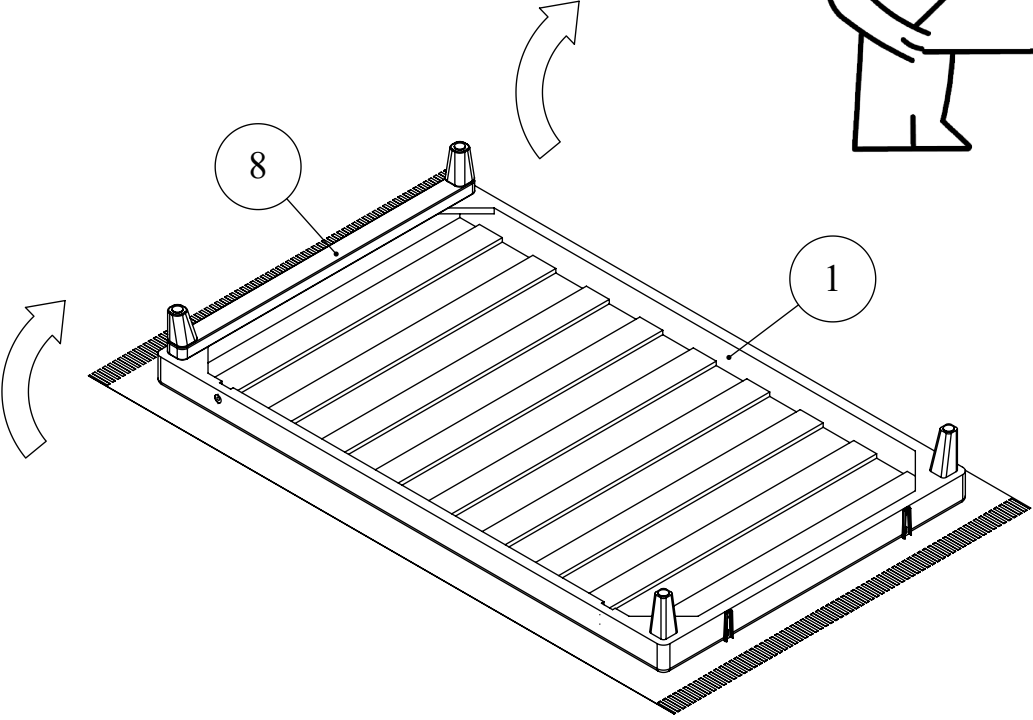
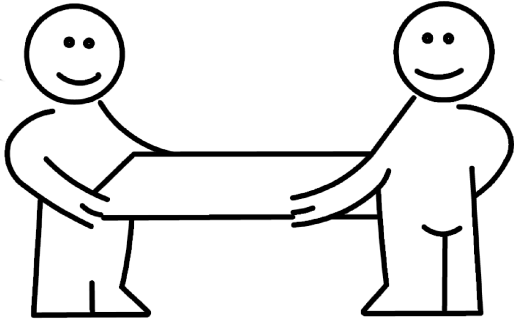




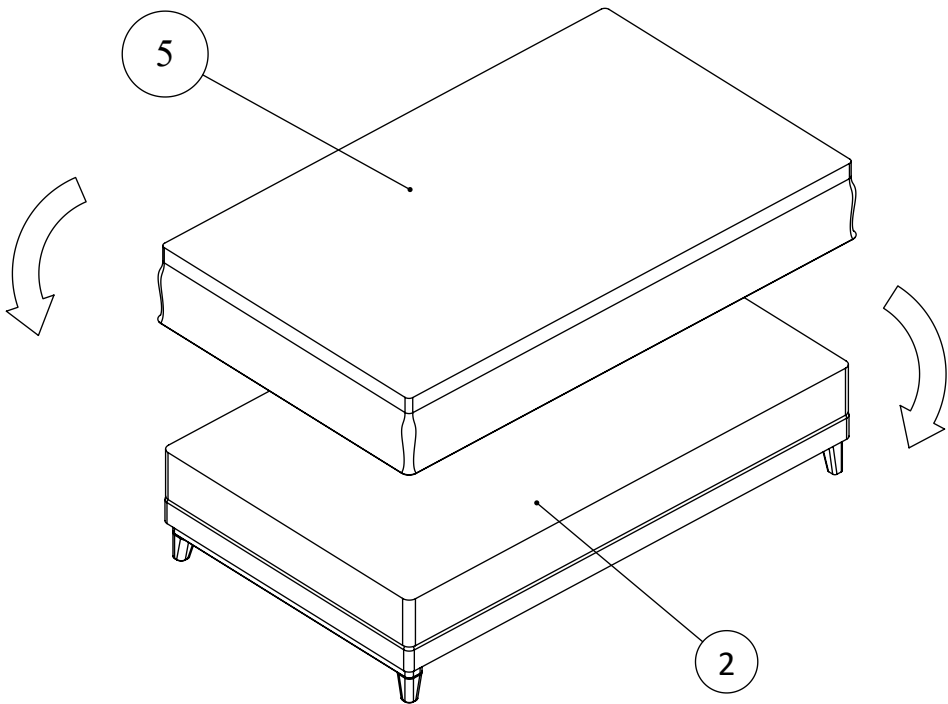
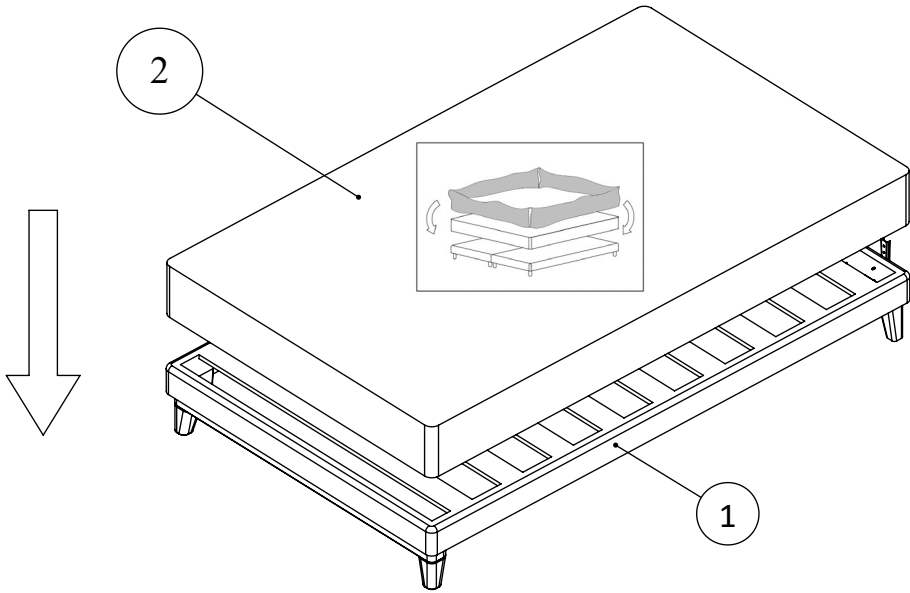
1



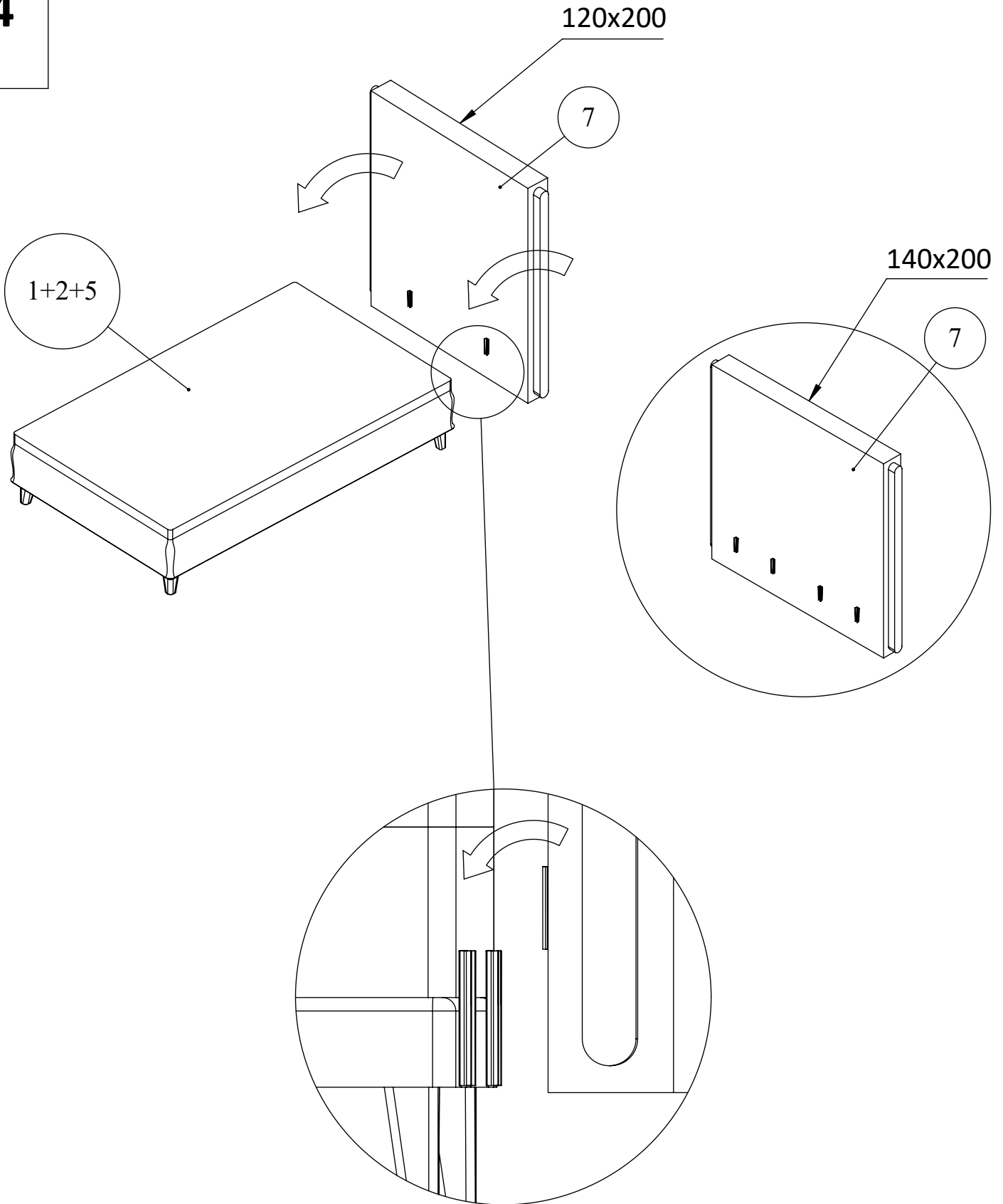
2



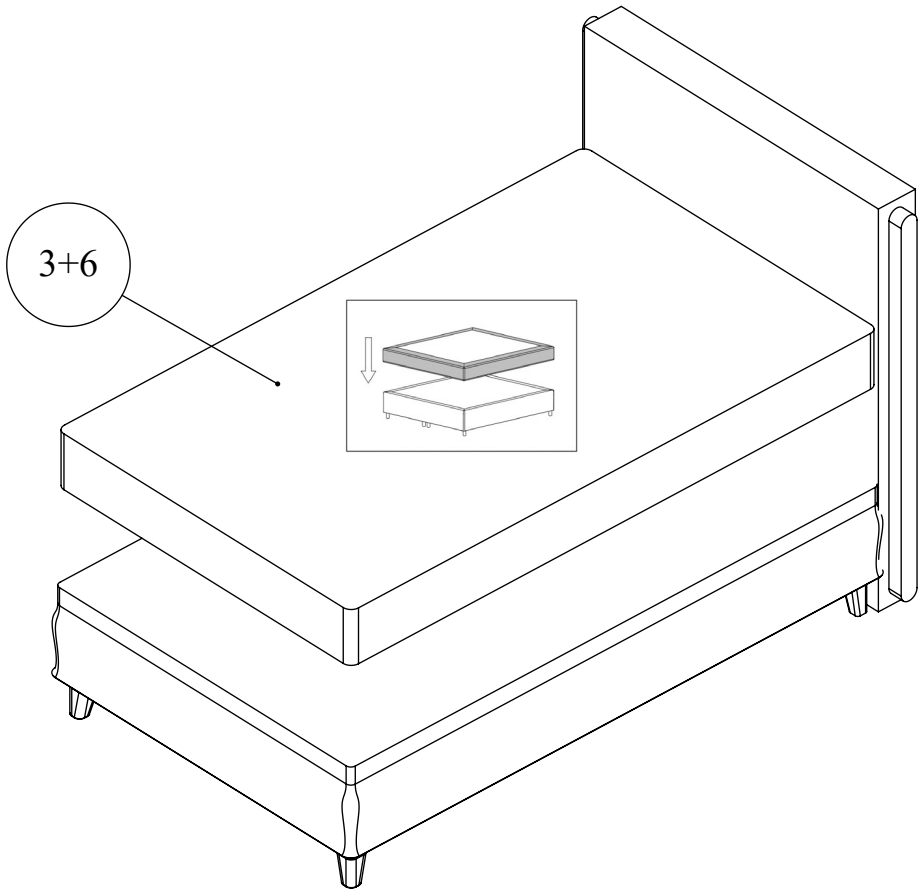
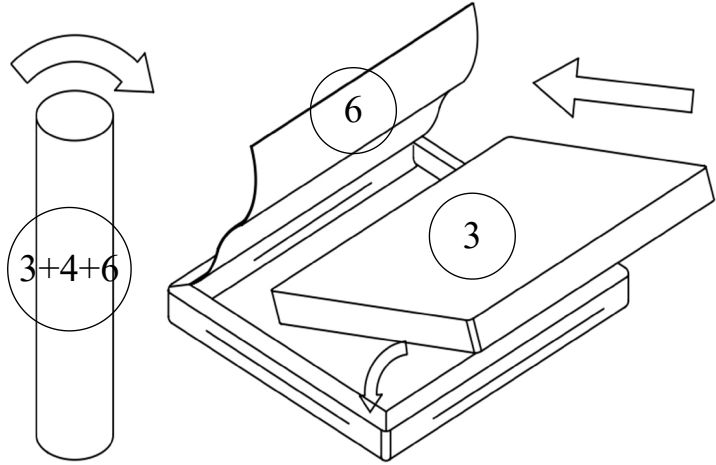
3



4



5



6

