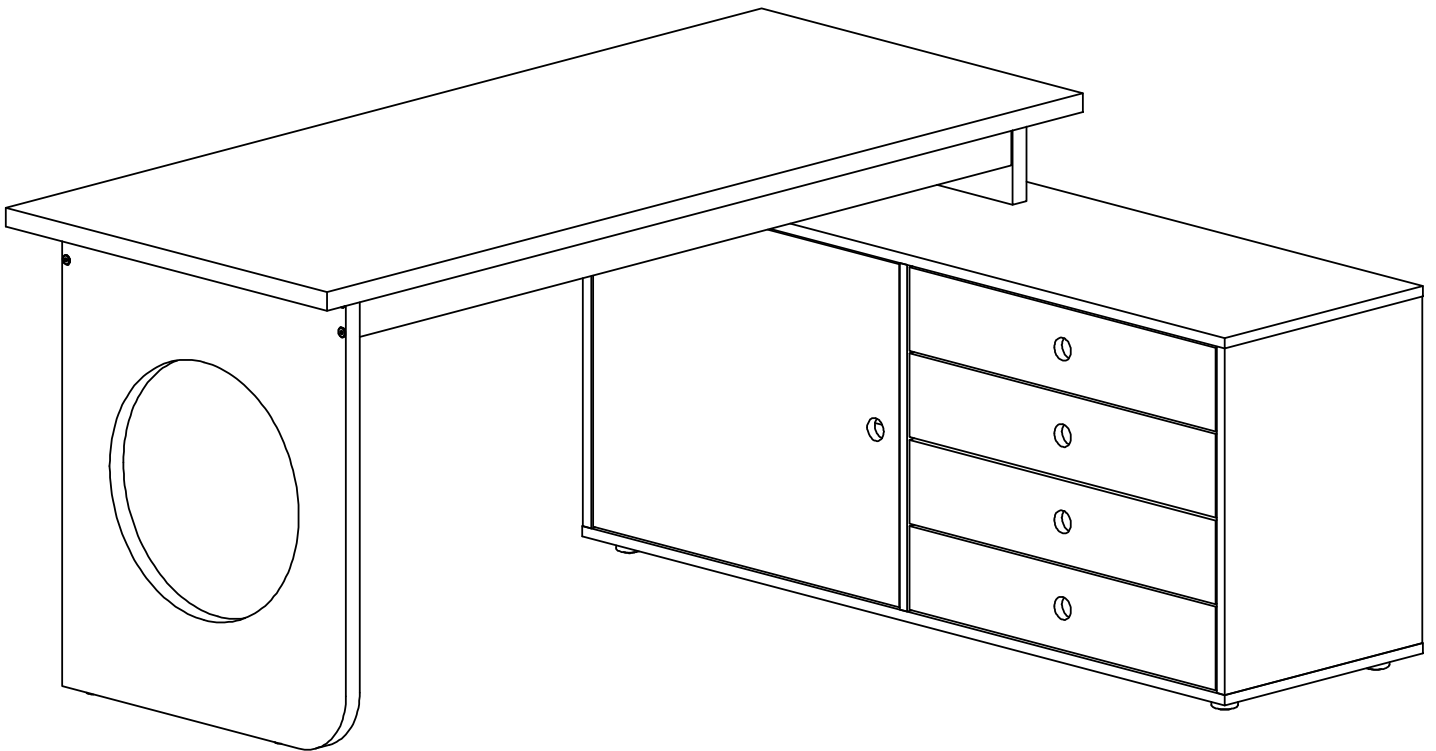


Assembly Instruction

Bau Workstation

1600 x 1360 x 750

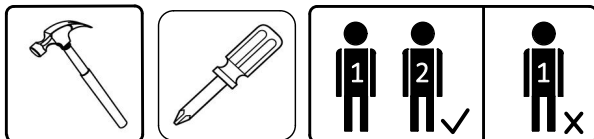


Left Hand

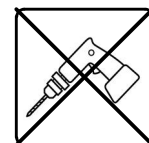
29520023/01

9007019015620

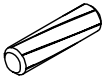
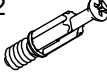


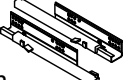


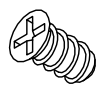
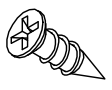
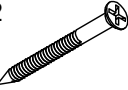




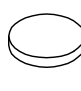
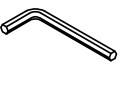
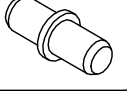

Tools needed

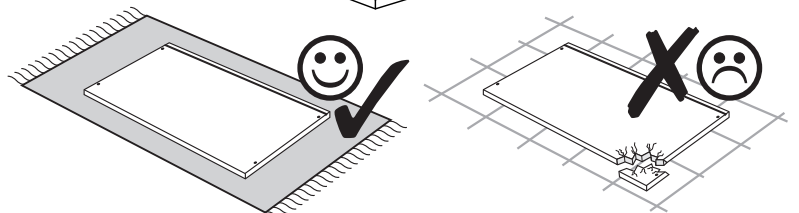
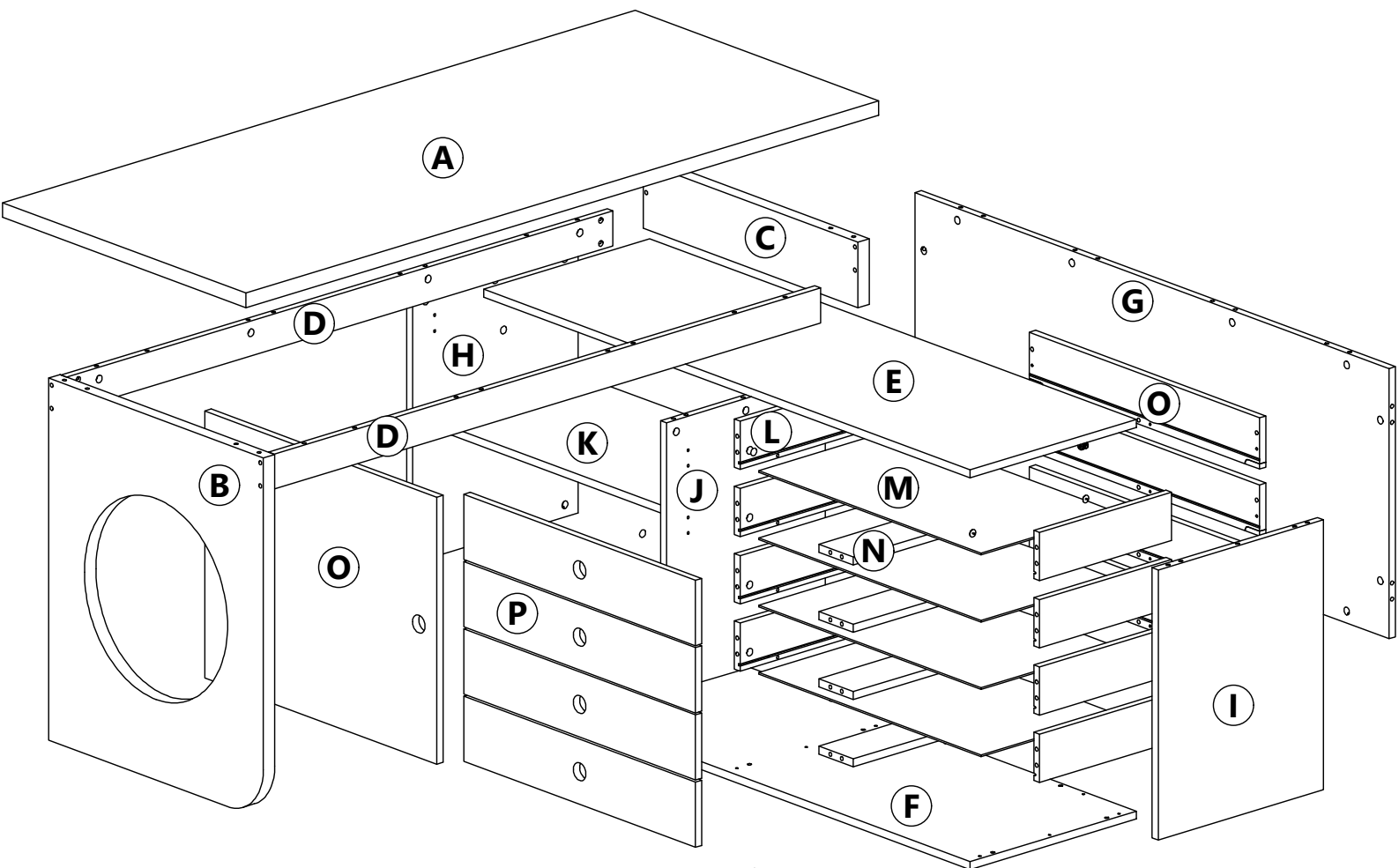


Don't use!!!



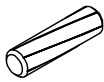
Total material list, hardware

A1 x 58 8x35 	A2 x 52 7x24 	A3 x 52 d15x16 	A4 x 8 Oak 	A5 x 4 360mm 	A6 x 2 o35 
A7 x 1 	A8 x 16 6.3x11 	A9 x 4 3.5x15 	A10 x 2 4x50 	A11 x 8 M6x65 	A12 x 8 10x13 
A13 x 5 o39x29 	A14 x 5 4x30 	A15 x 7 28/3 	A16 x 1 4mm 	A17 x 4 	A18 x 16 White 



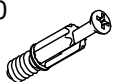
Assembly instructions, 1

A1 x 18



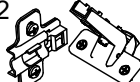
8x35

A2 x 20



7x24

A6 x 2



o35

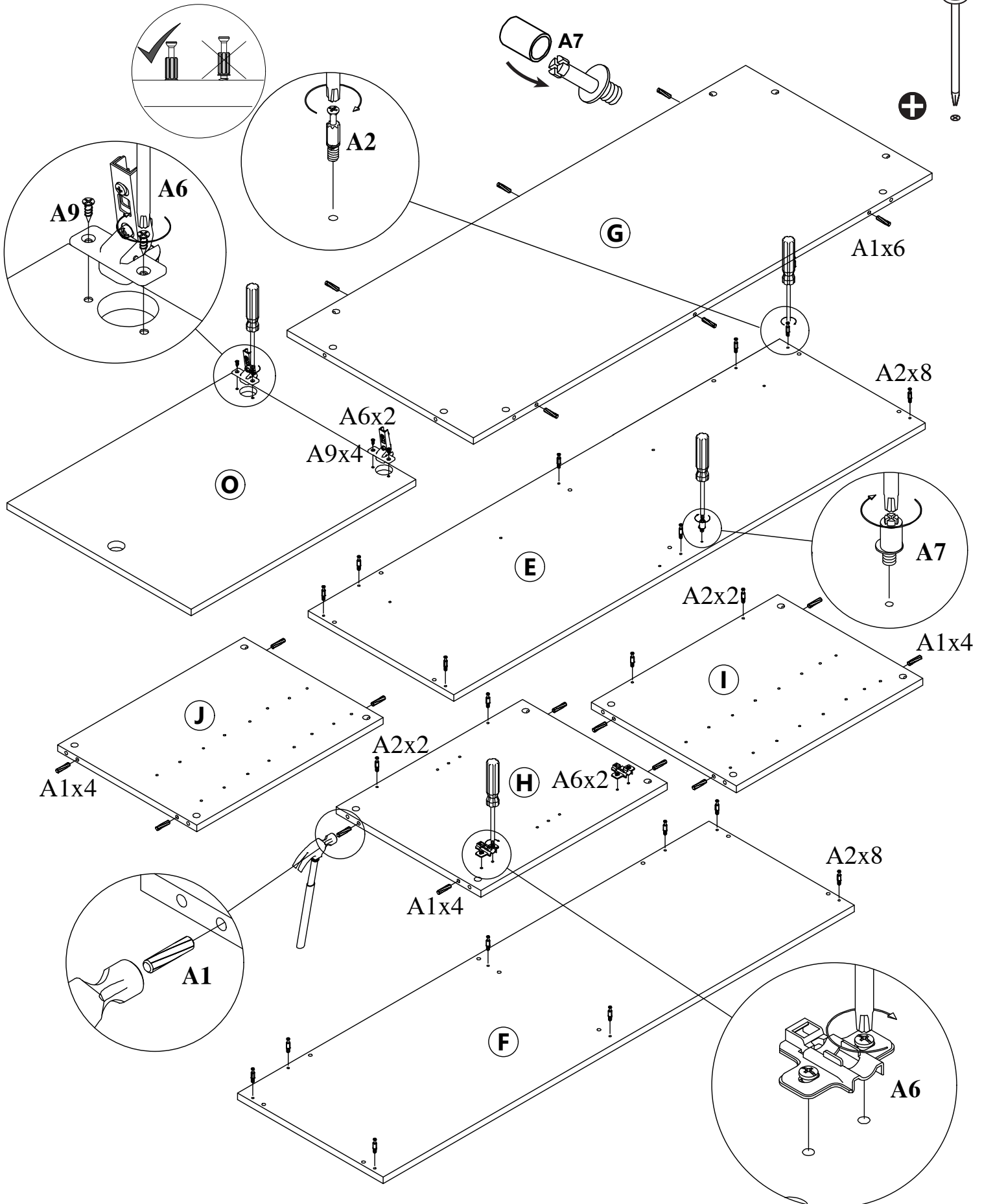
A7 x 1



A9 x 4



3.5x15



Assembly instructions, 2

A3 x 12

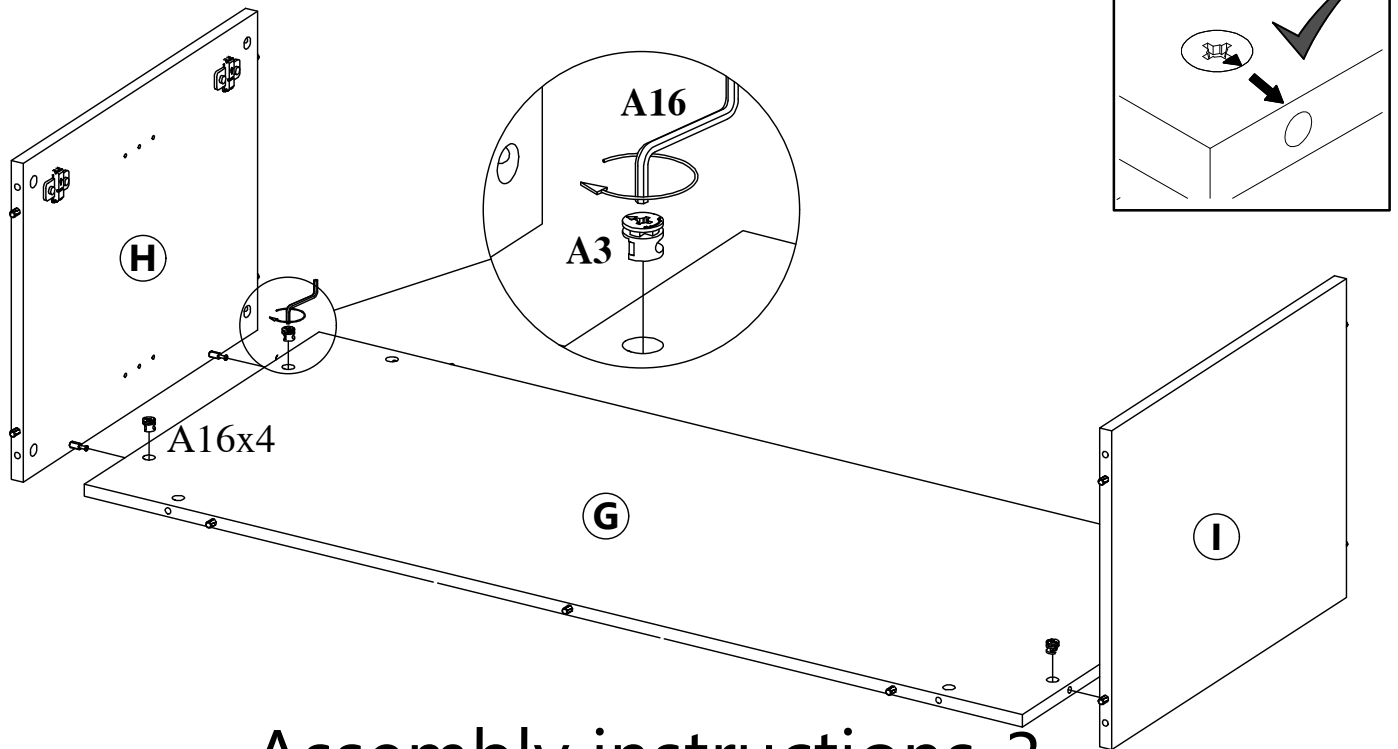


d15x16

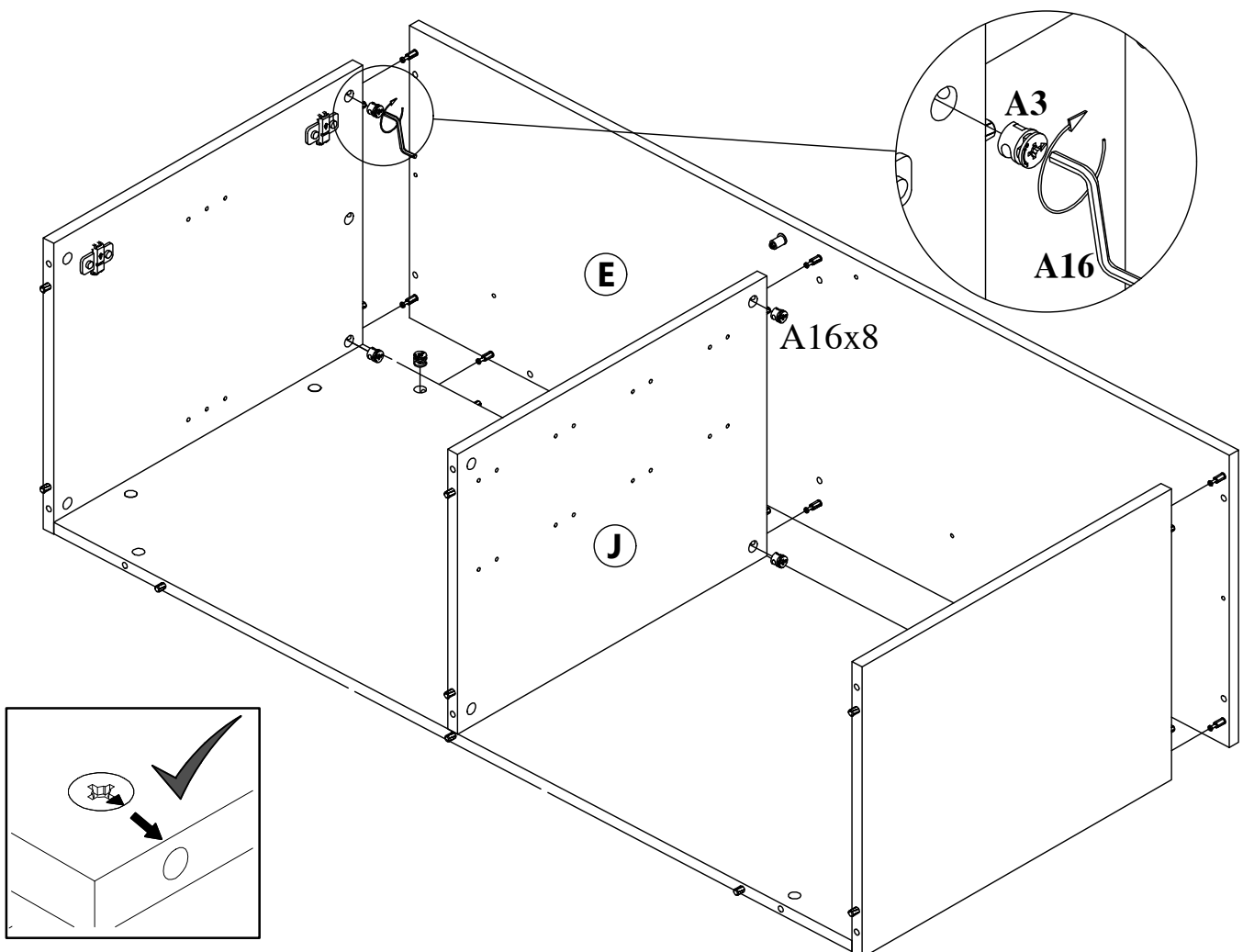
A16 x 1



4mm



Assembly instructions, 3



Assembly instructions, 4

A3 x 8
d15x16



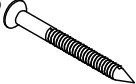
A13 x 5
o39x29



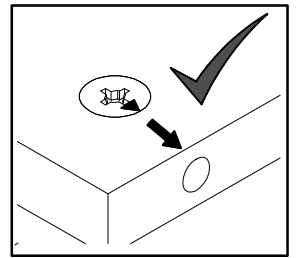
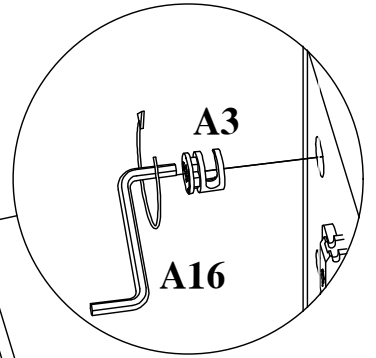
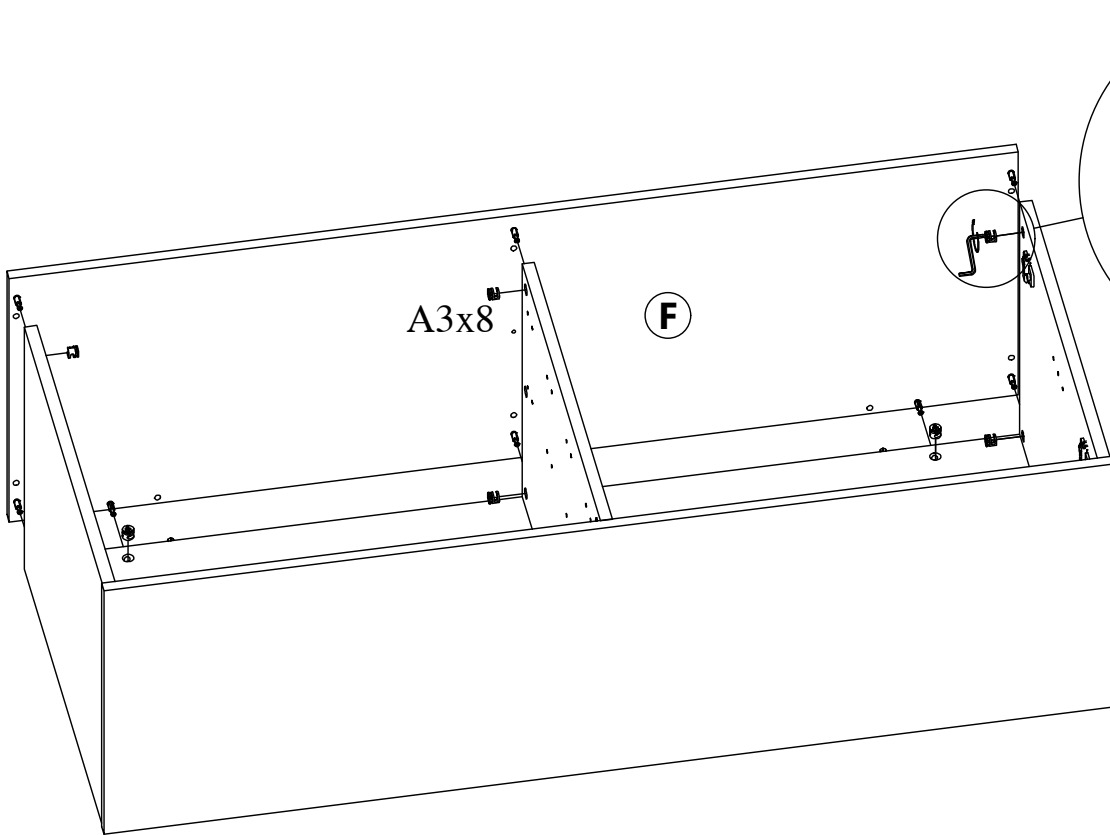
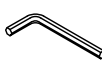
A15 x 5
28/3



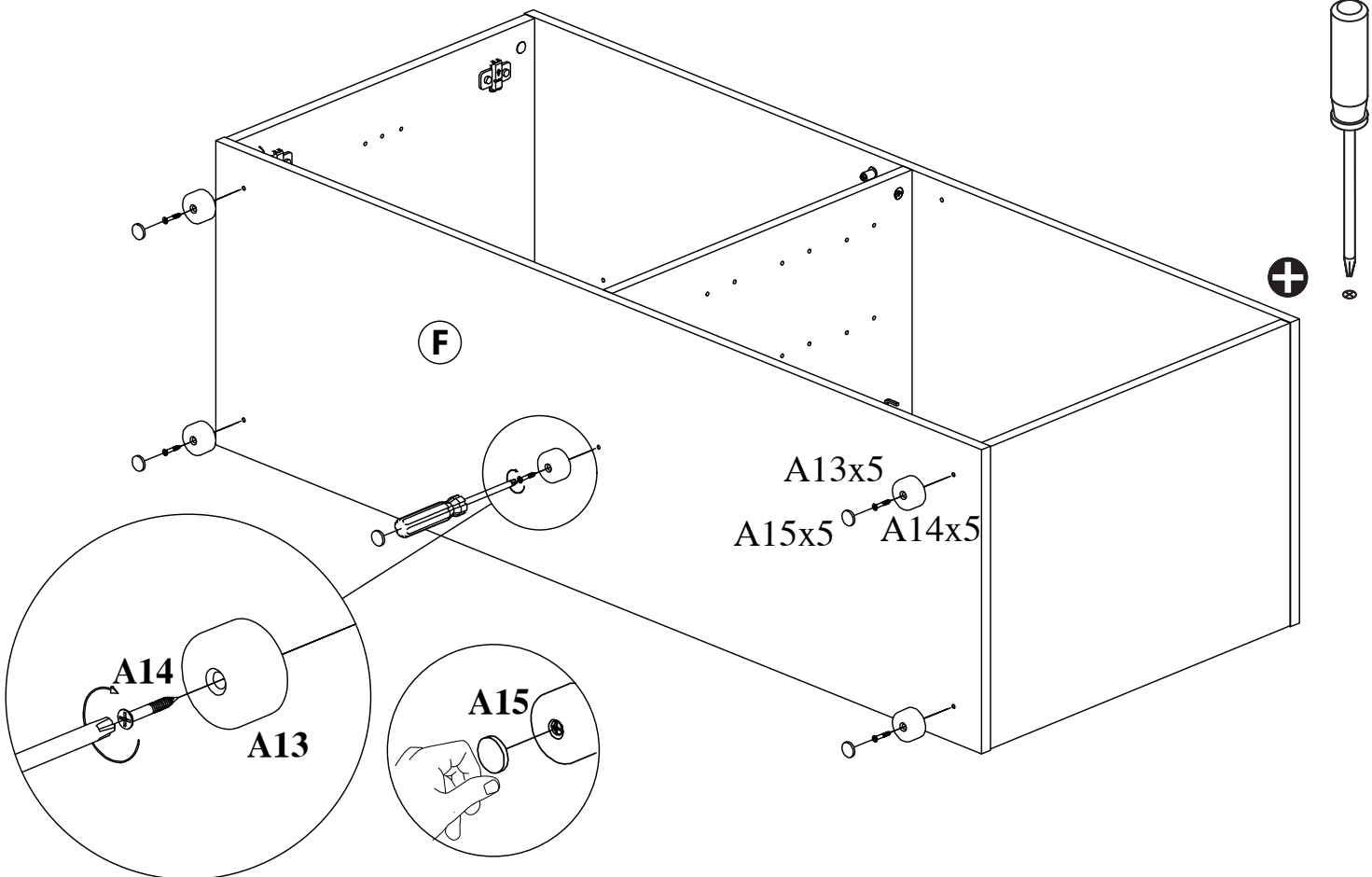
A14 x 5
4x30



A16 x 1
4mm



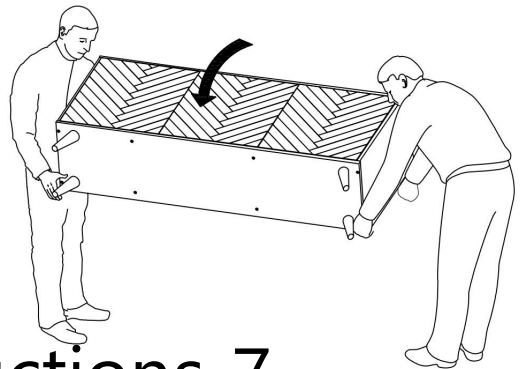
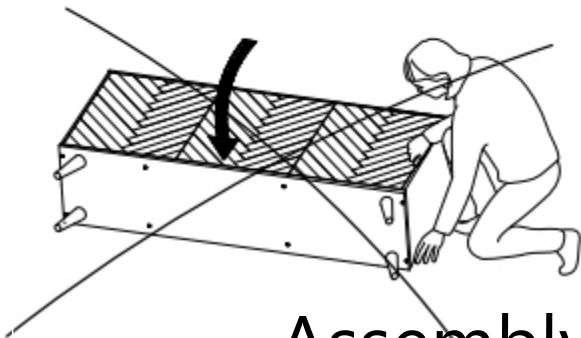
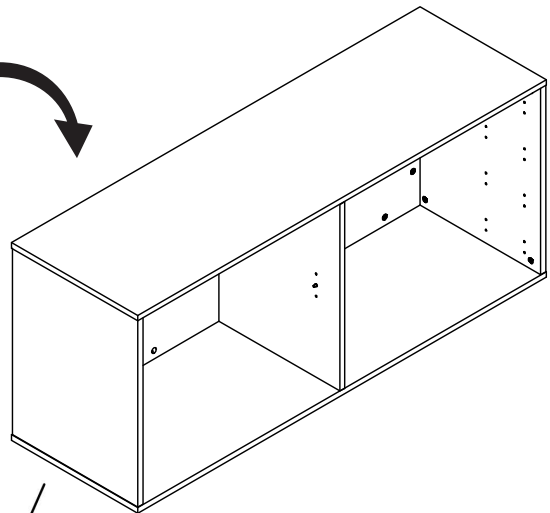
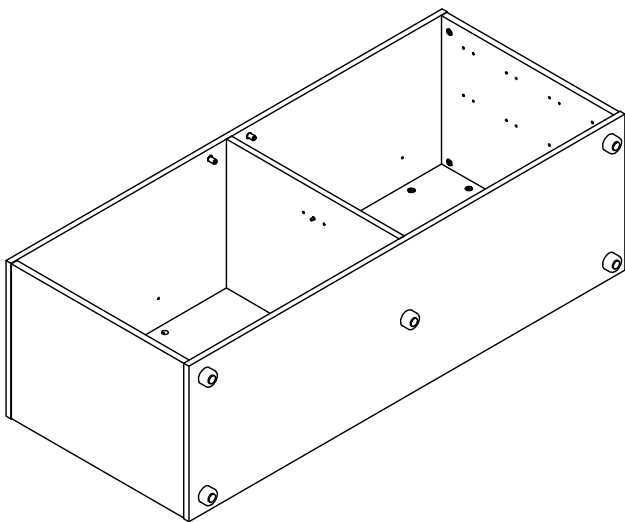
Assembly instructions, 5



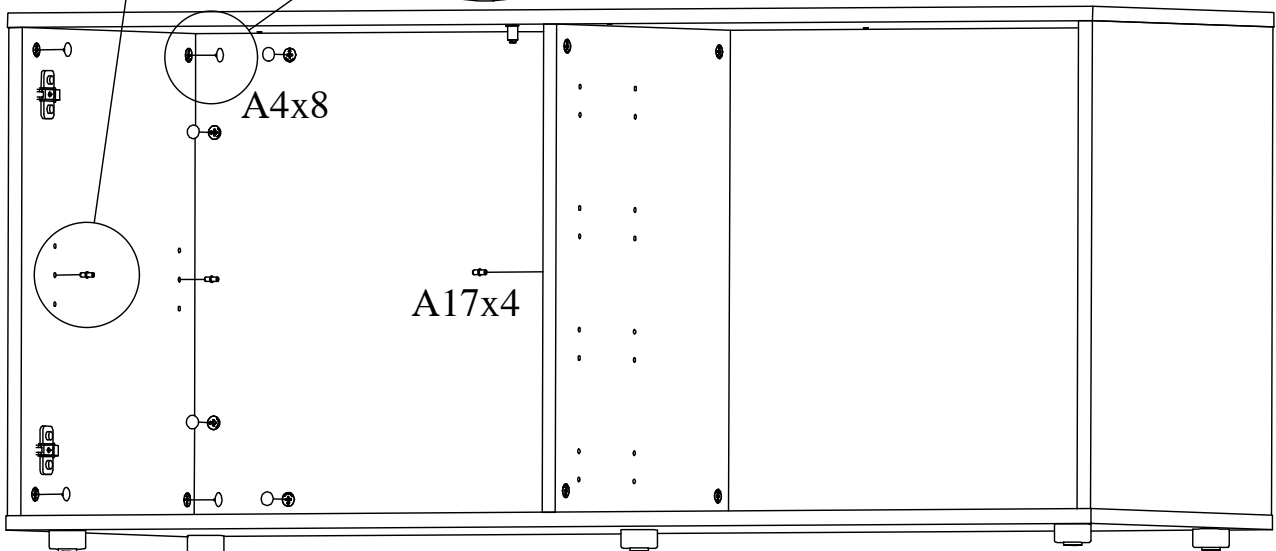
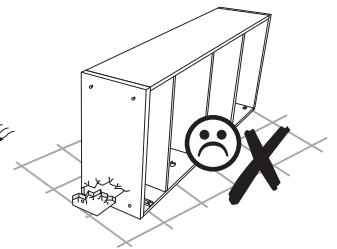
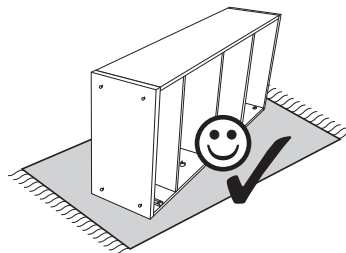
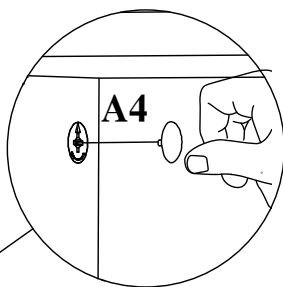
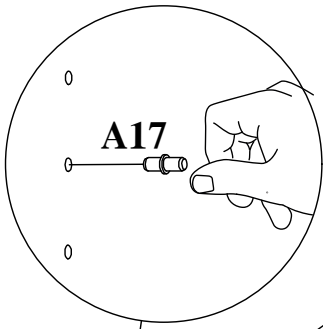
Assembly instructions, 6

A4 x 8
Oak

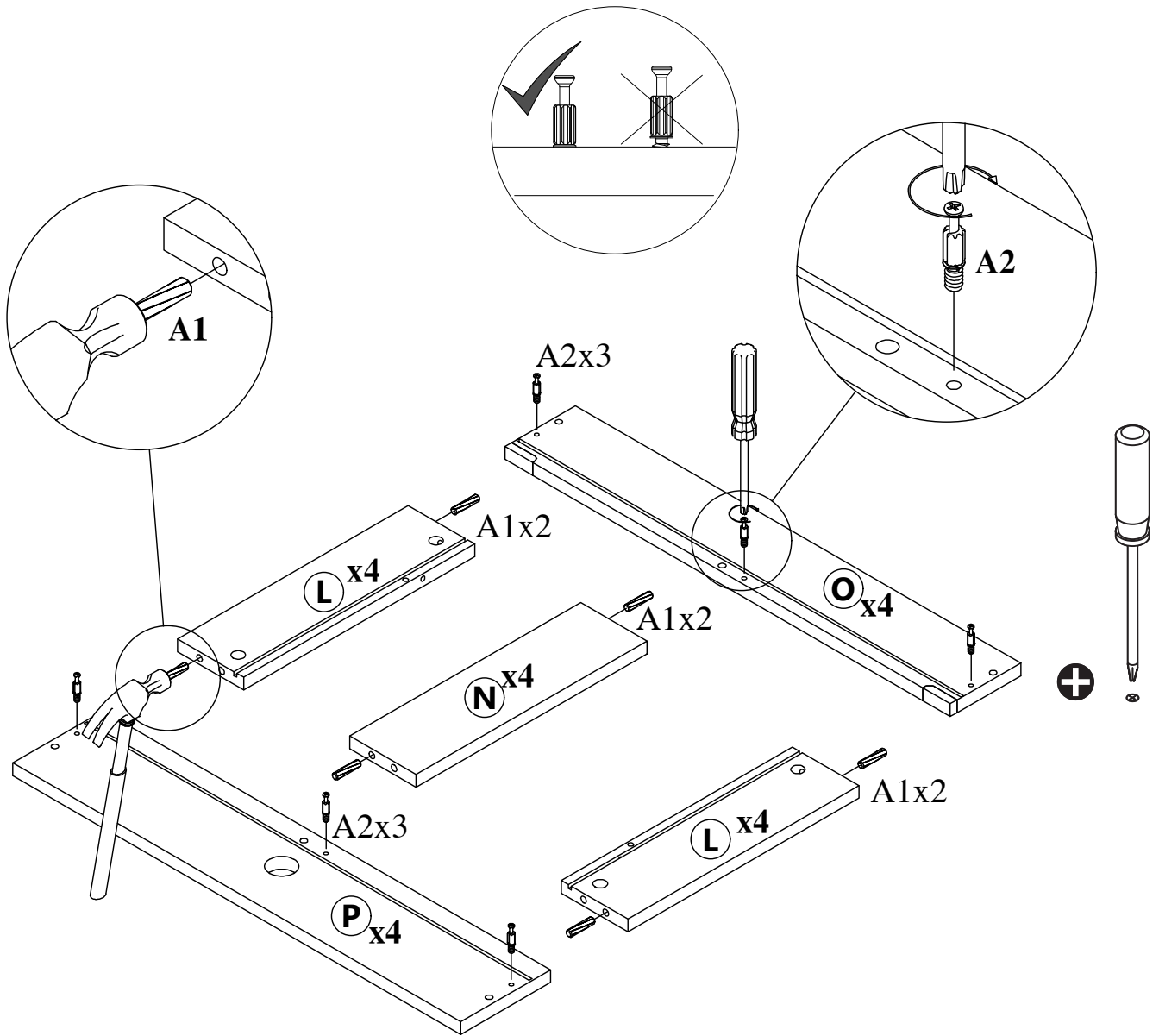
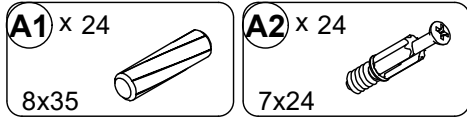
A17 x 4



Assembly instructions, 7



Assembly instructions, 8



Assembly instructions, 9

A3 x 24



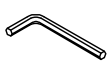
d15x16

A18 x 16

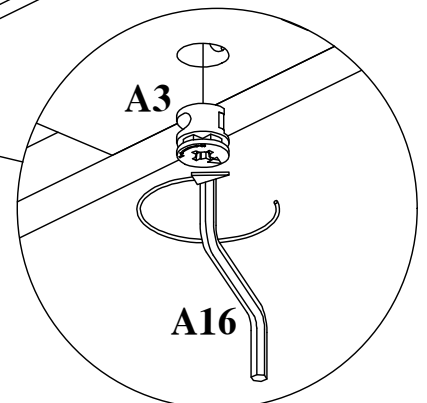
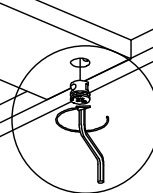
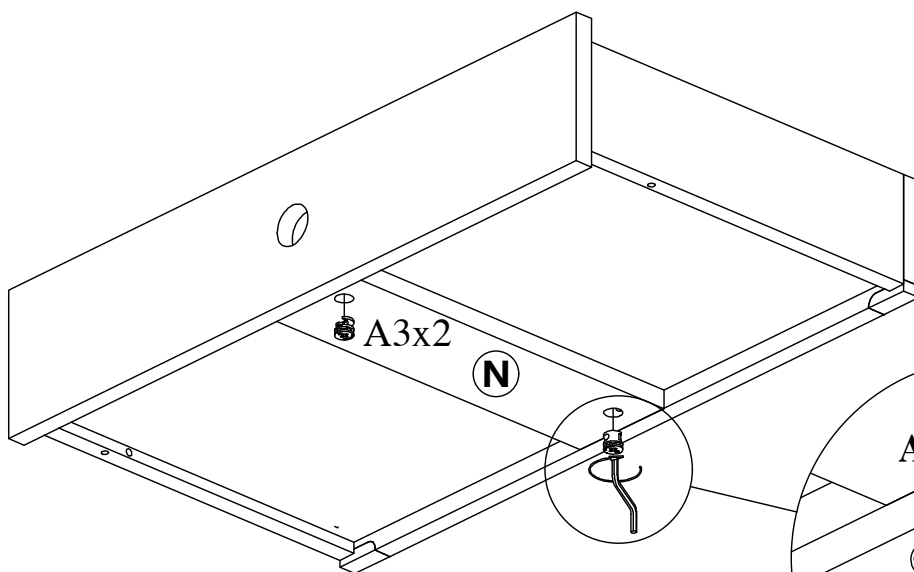
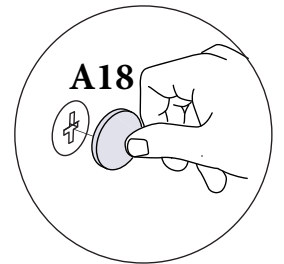
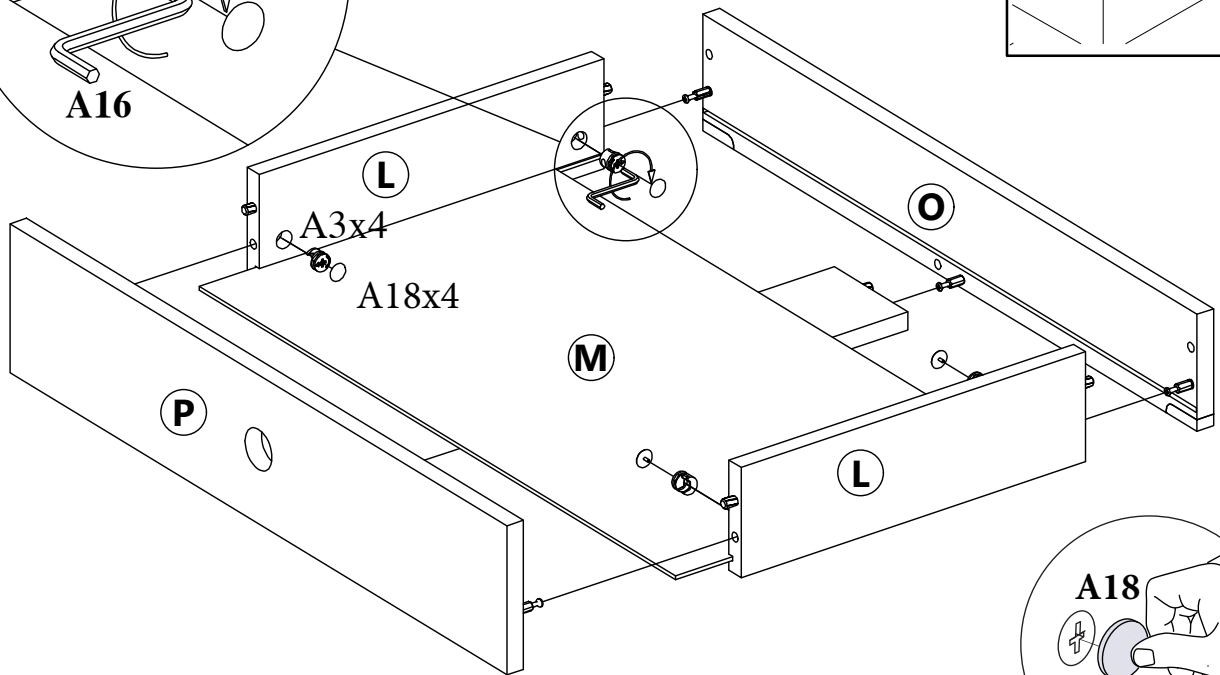
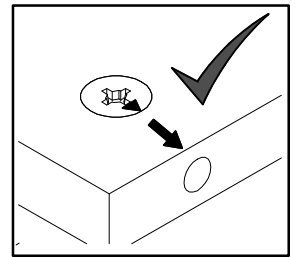
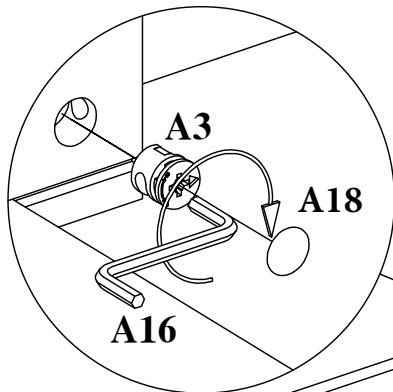


White

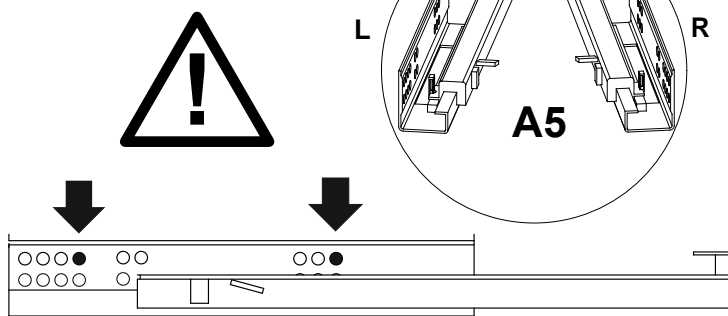
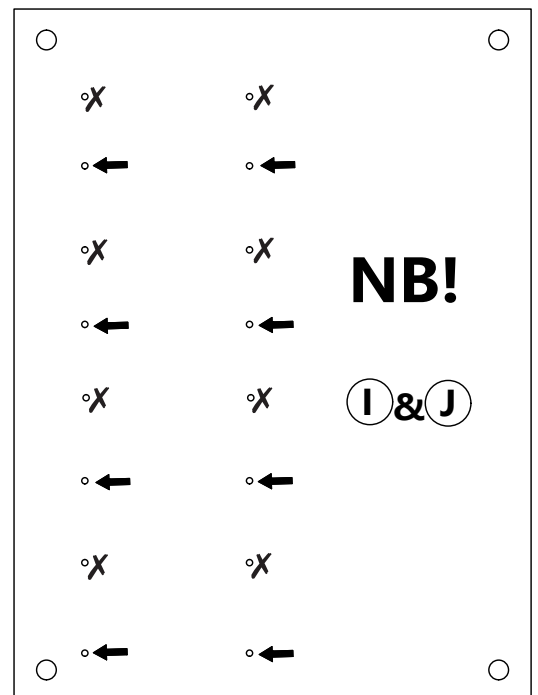
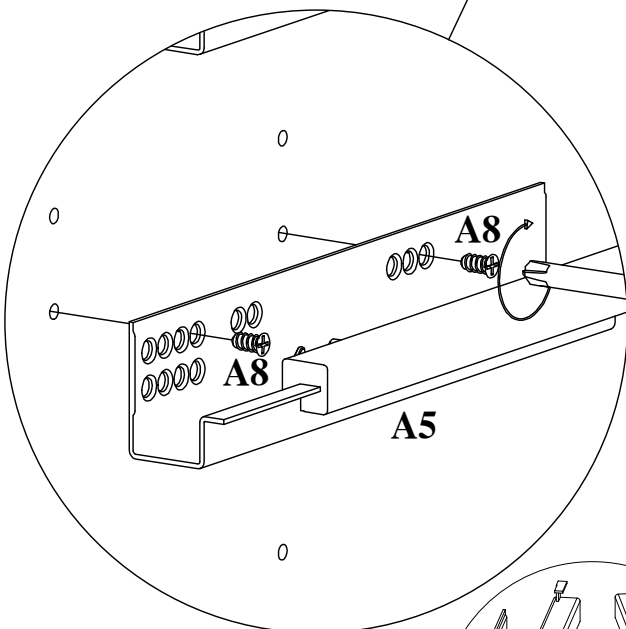
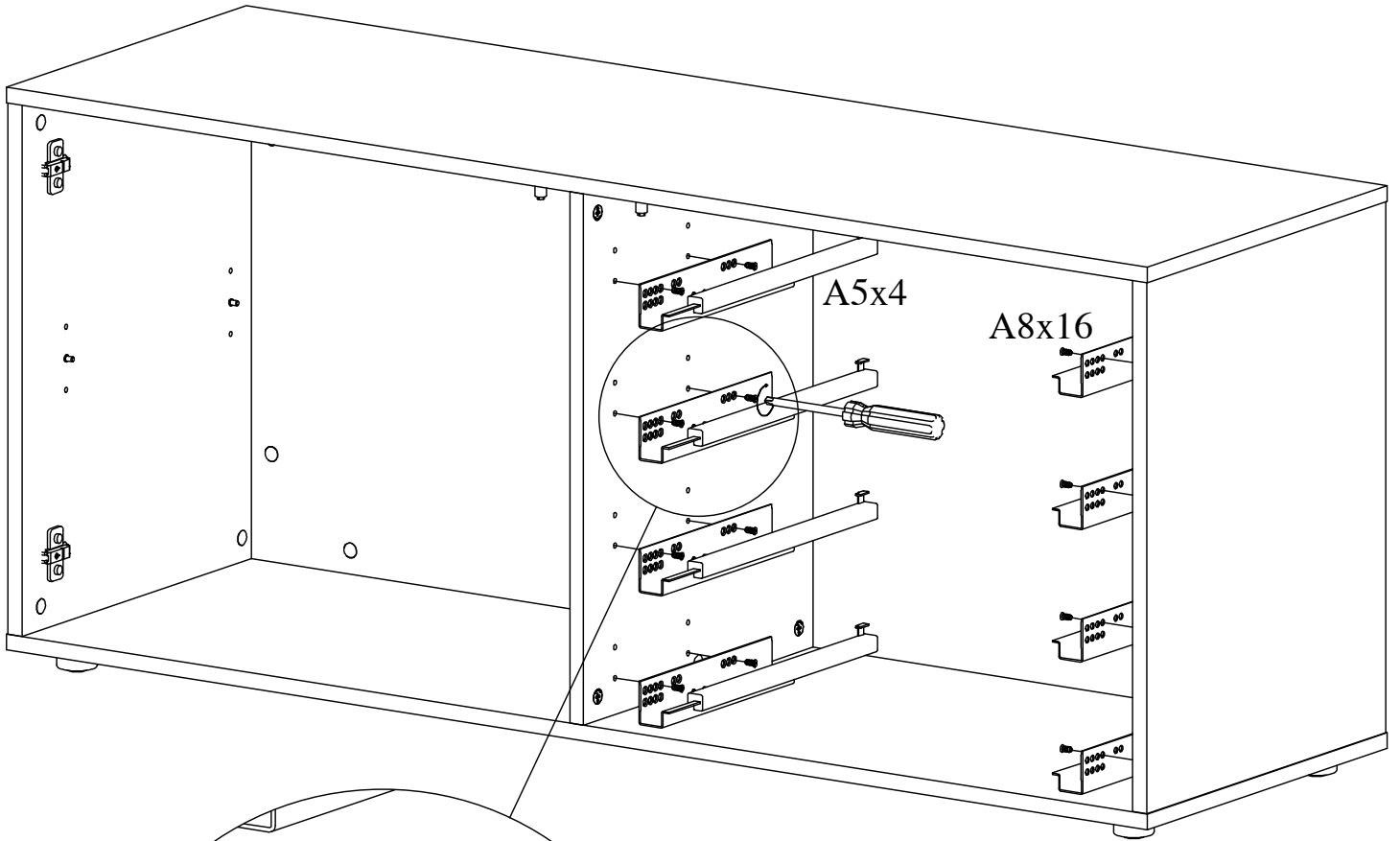
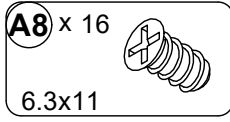
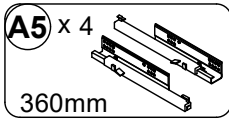
A16 x 1



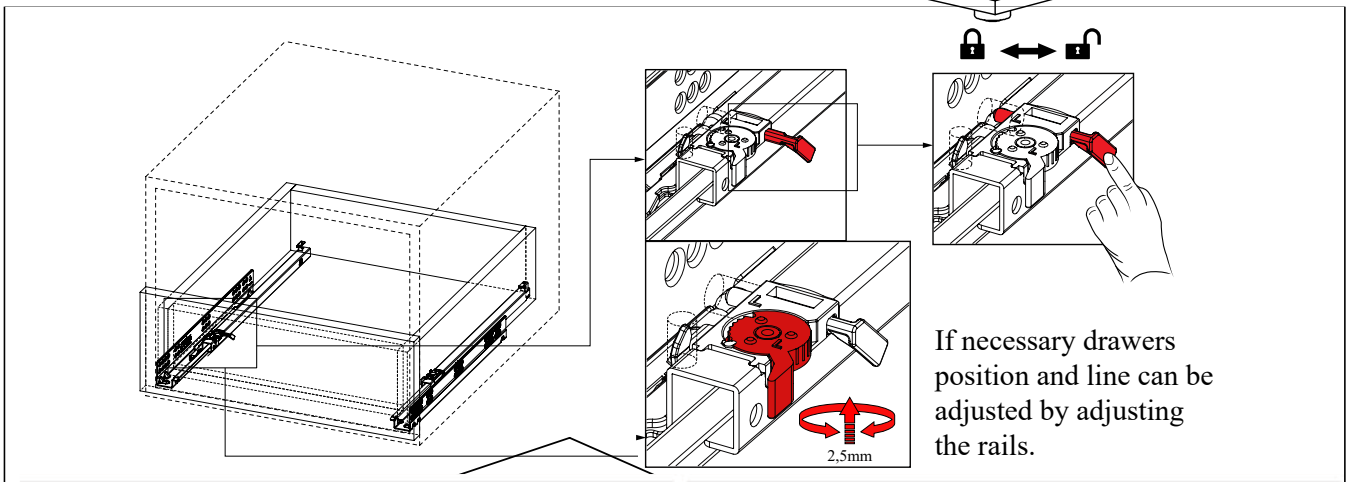
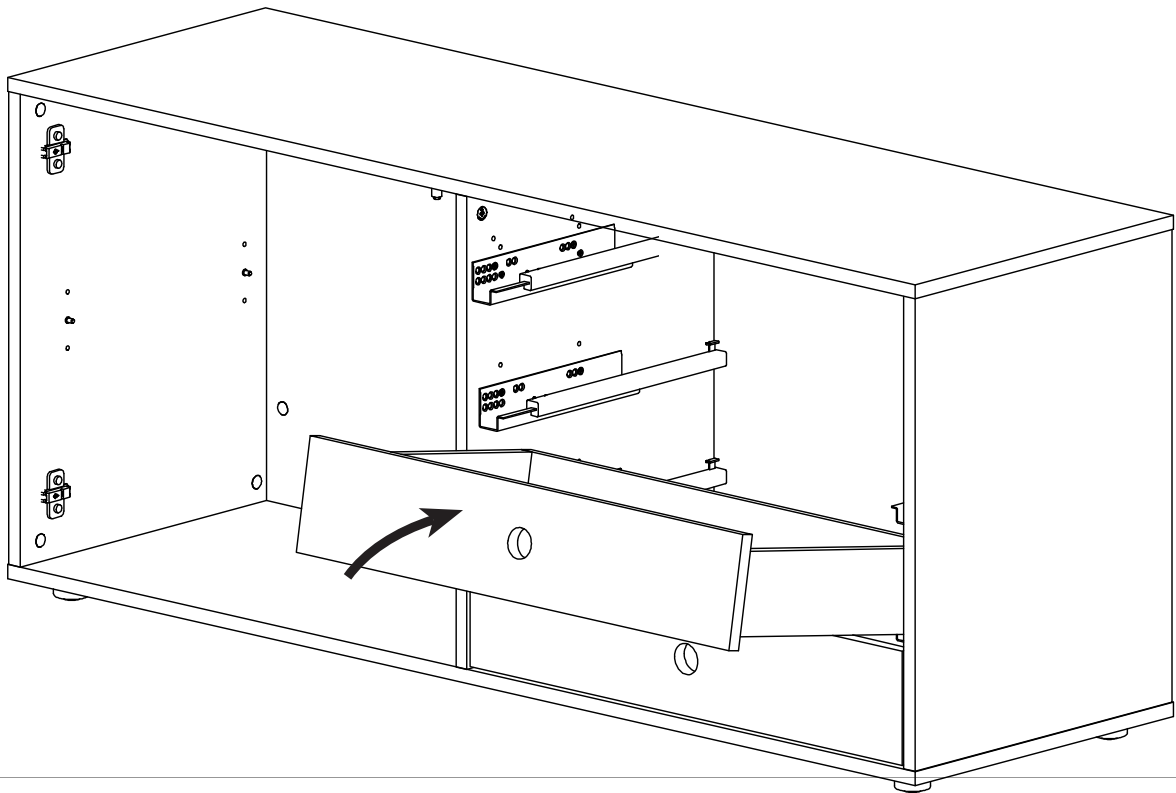
4mm



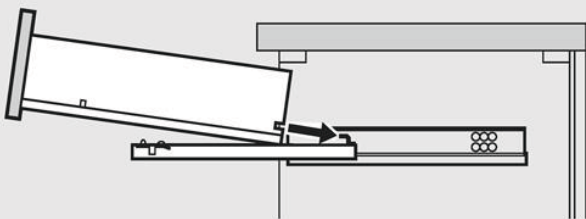
Assembly instructions, 11



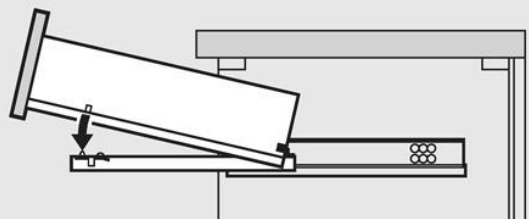
Assembly instructions, 12



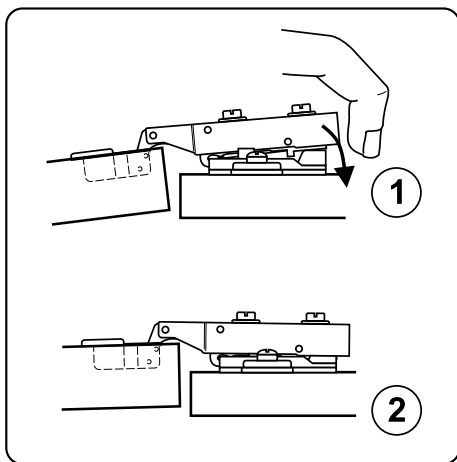
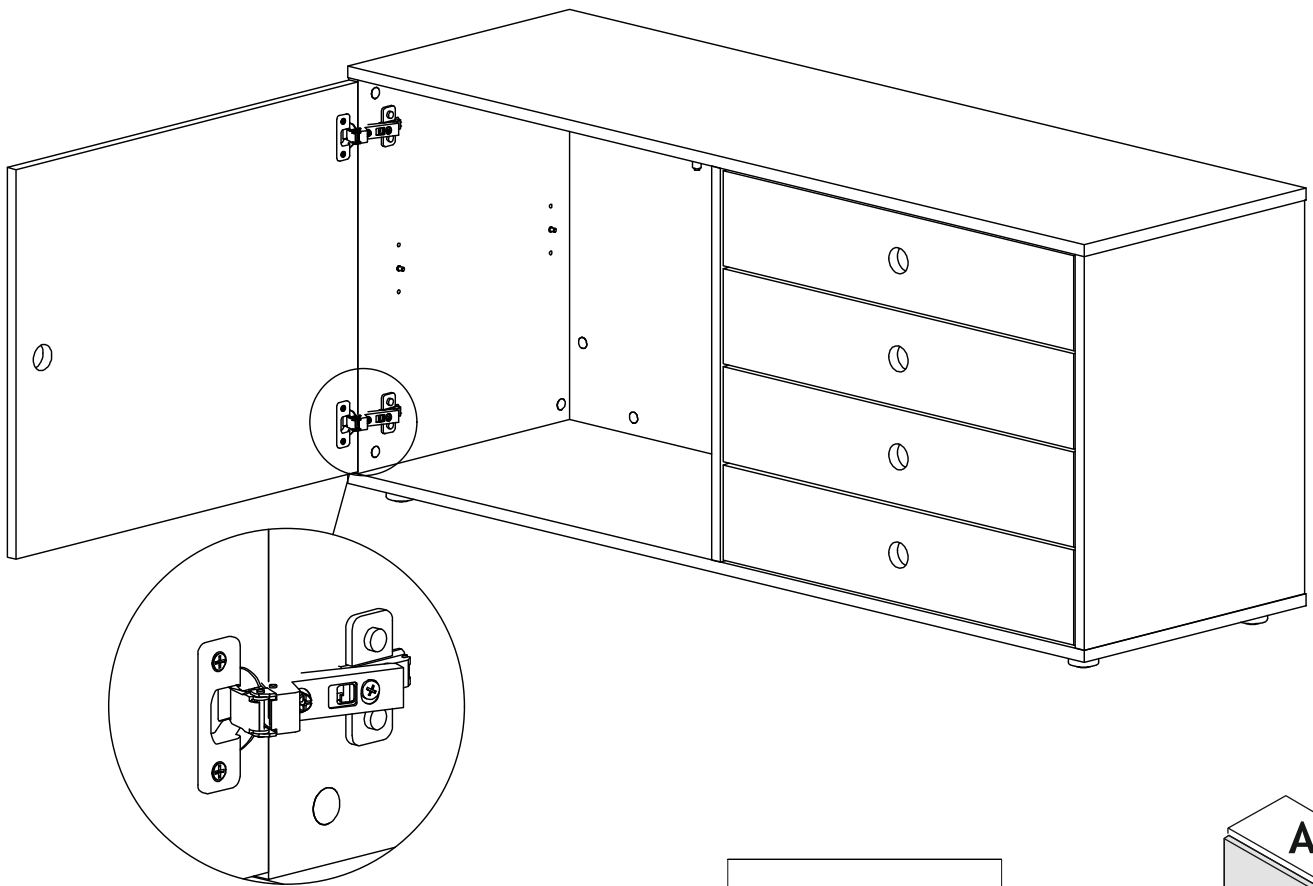
2.



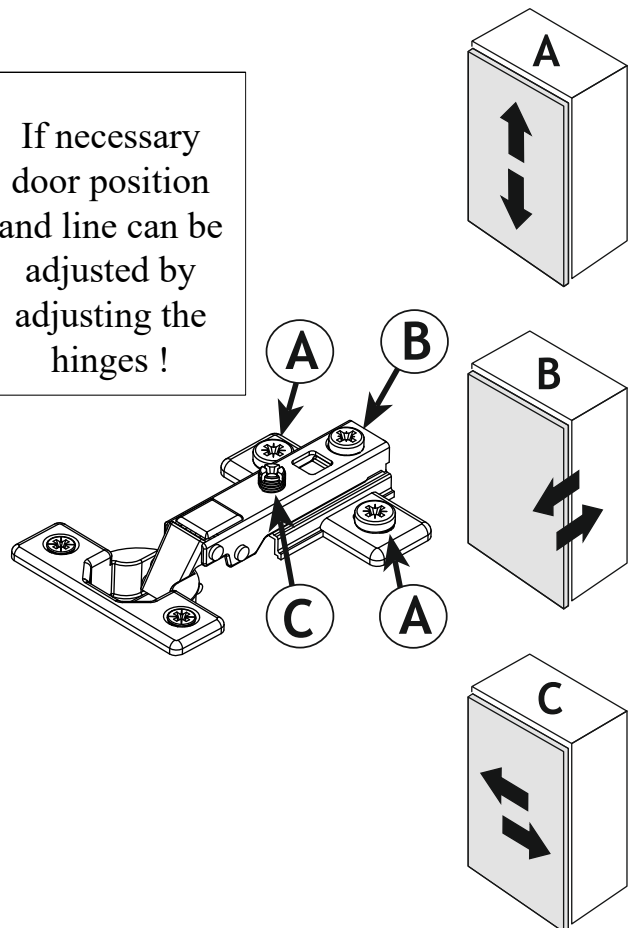
3.



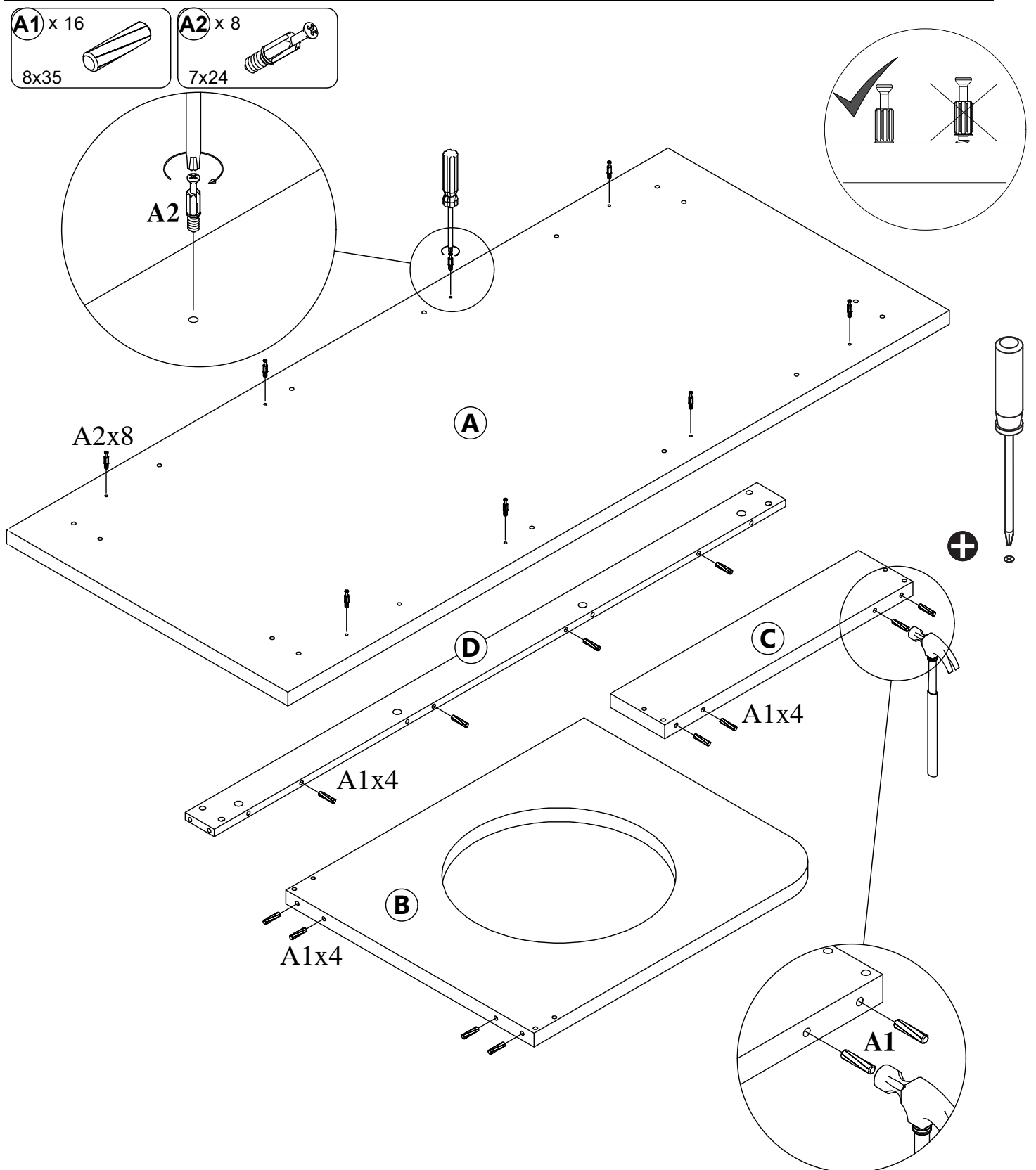
Assembly instructions, 13



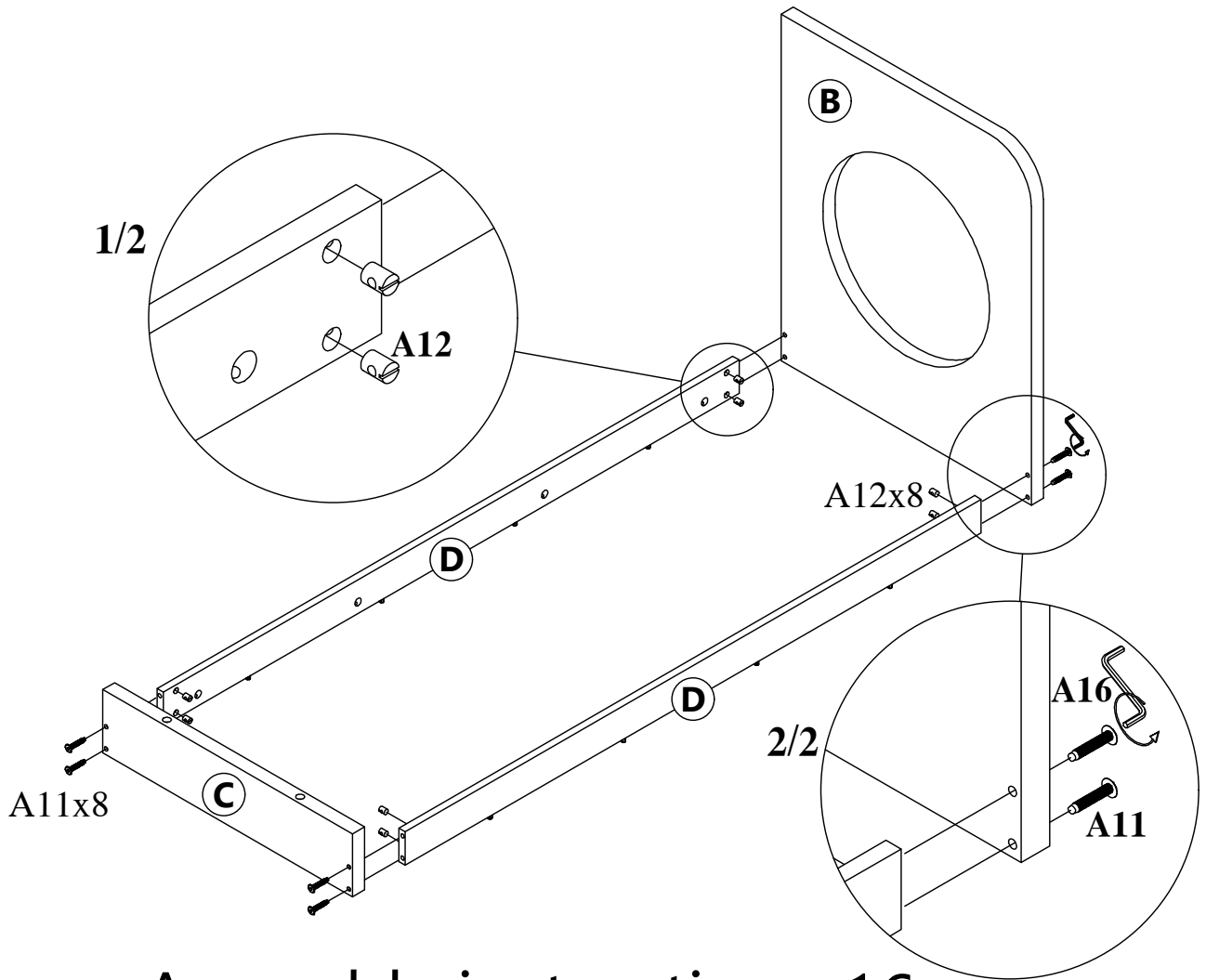
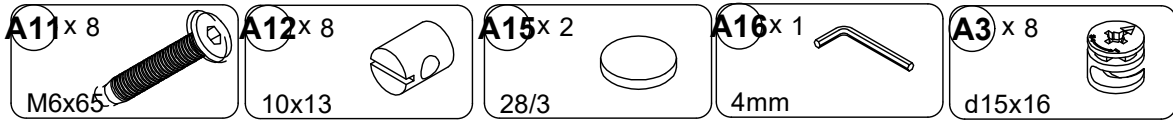
If necessary door position and line can be adjusted by adjusting the hinges !



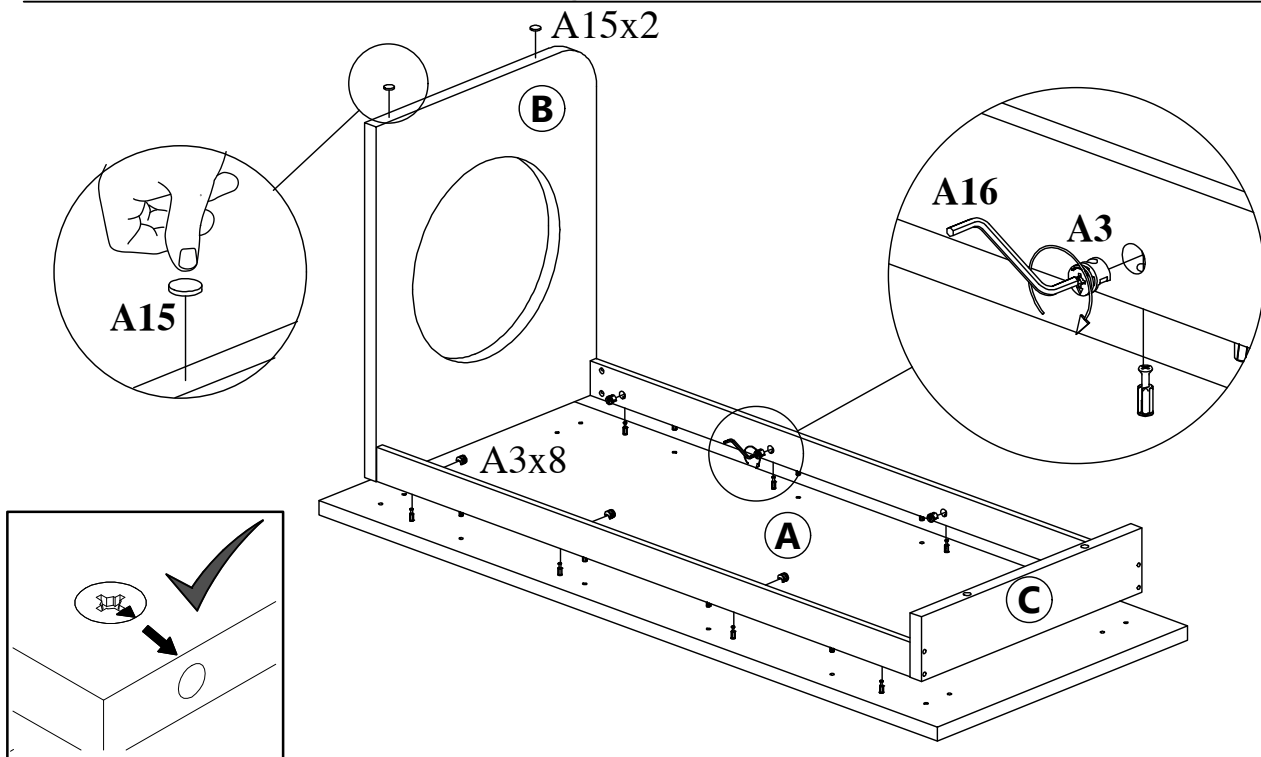
Assembly instructions, 14



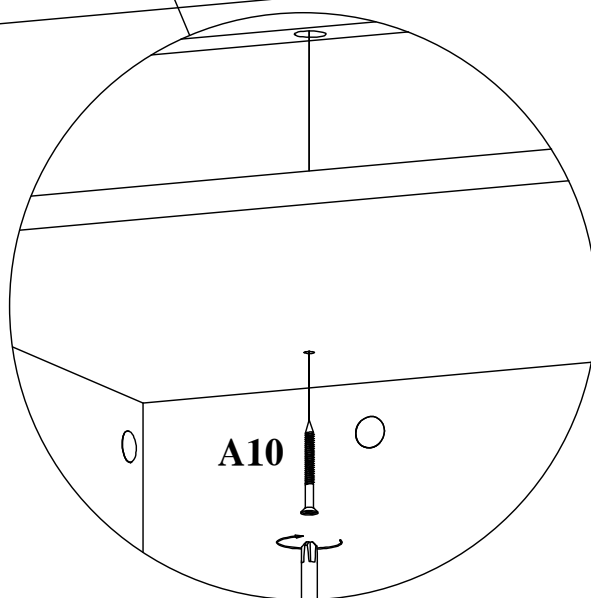
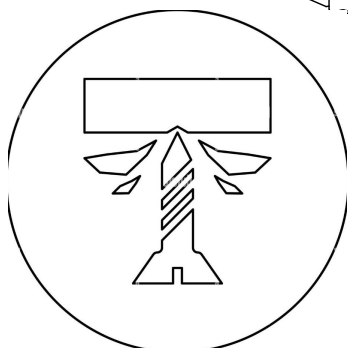
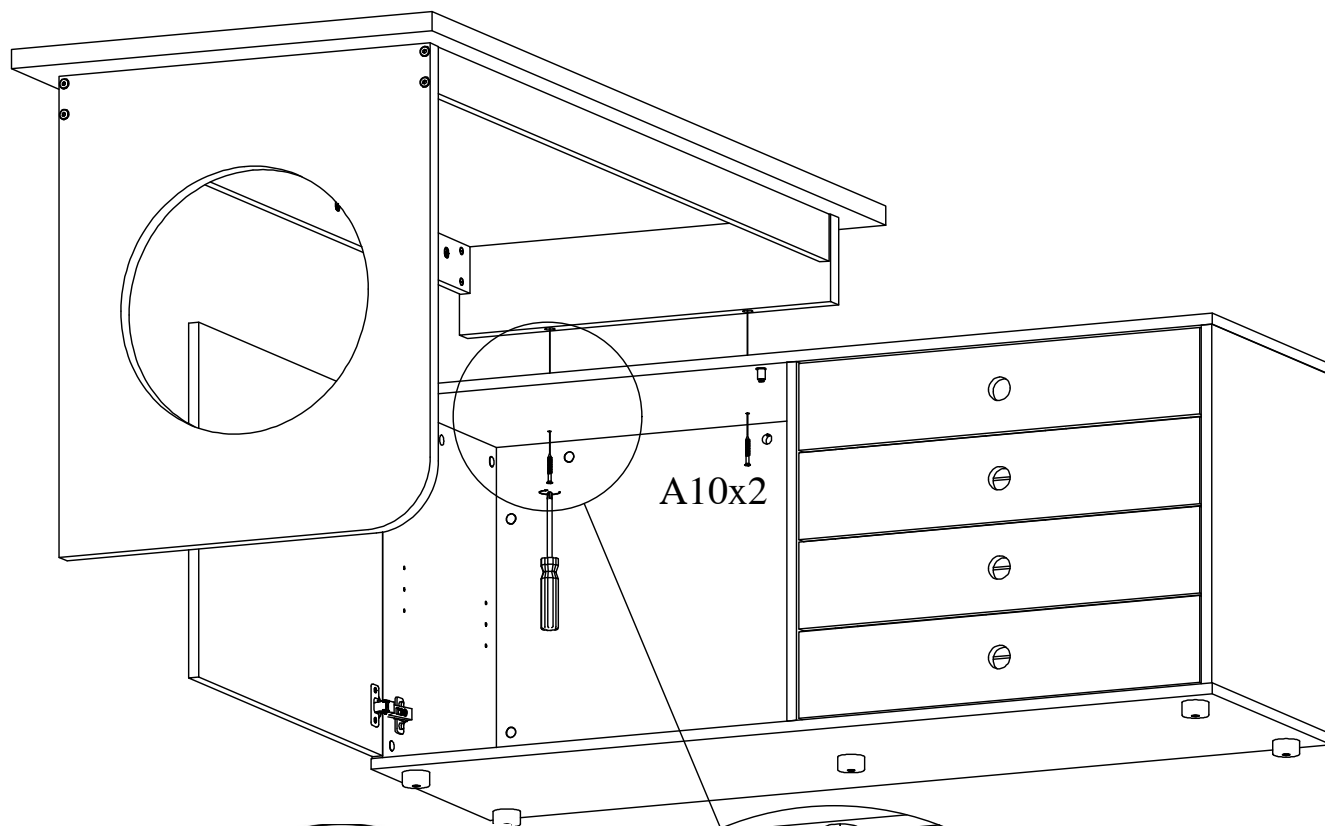
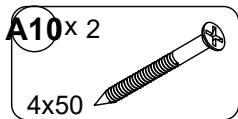
Assembly instructions, 15



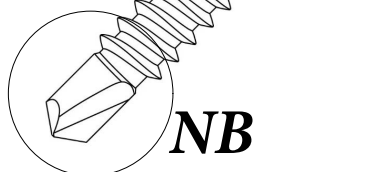
Assembly instructions, 16



Assembly instructions, 17



A10



NB

Assembly instructions, 18

