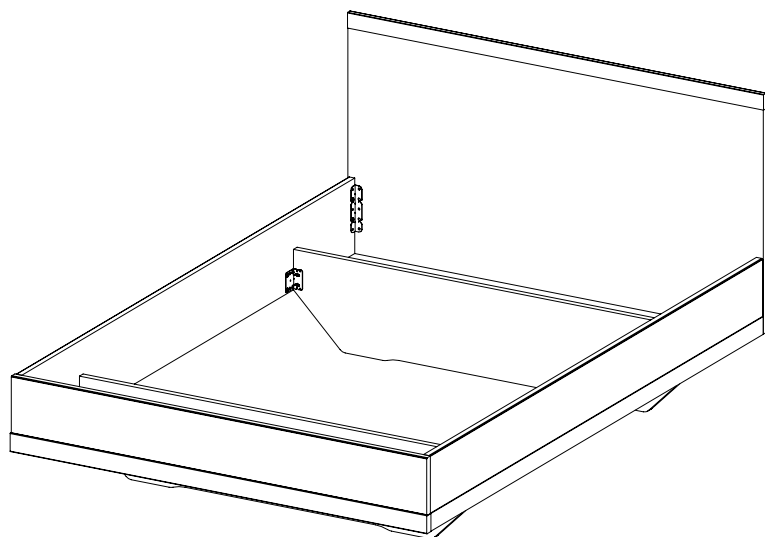
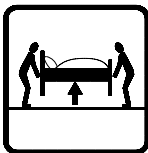
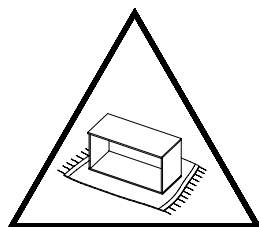
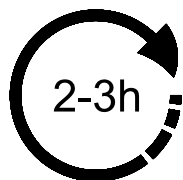
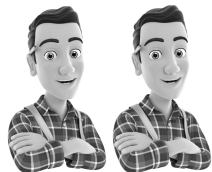
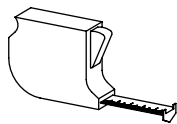
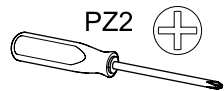


M3191_01



36x

6,3x18

25



28x

4,5x16

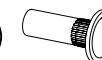
202



4x

M4

580



4x

M4x12

803



8x

M4

176



8x

M4x32

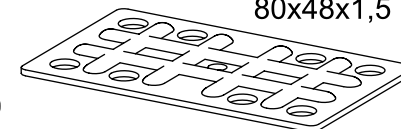
56



4x

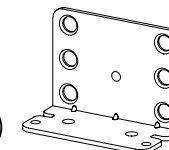
80x48x1,5

330



8x

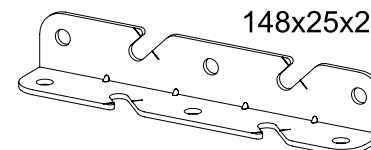
856



4x

148x25x25

887



16x

6,5x12

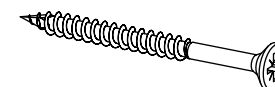
779



4x

4,5x55

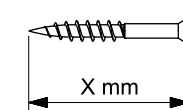
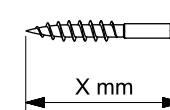
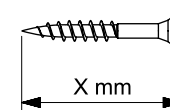
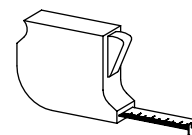
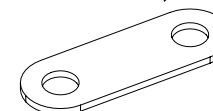
229



3x

43x15x1,25

728

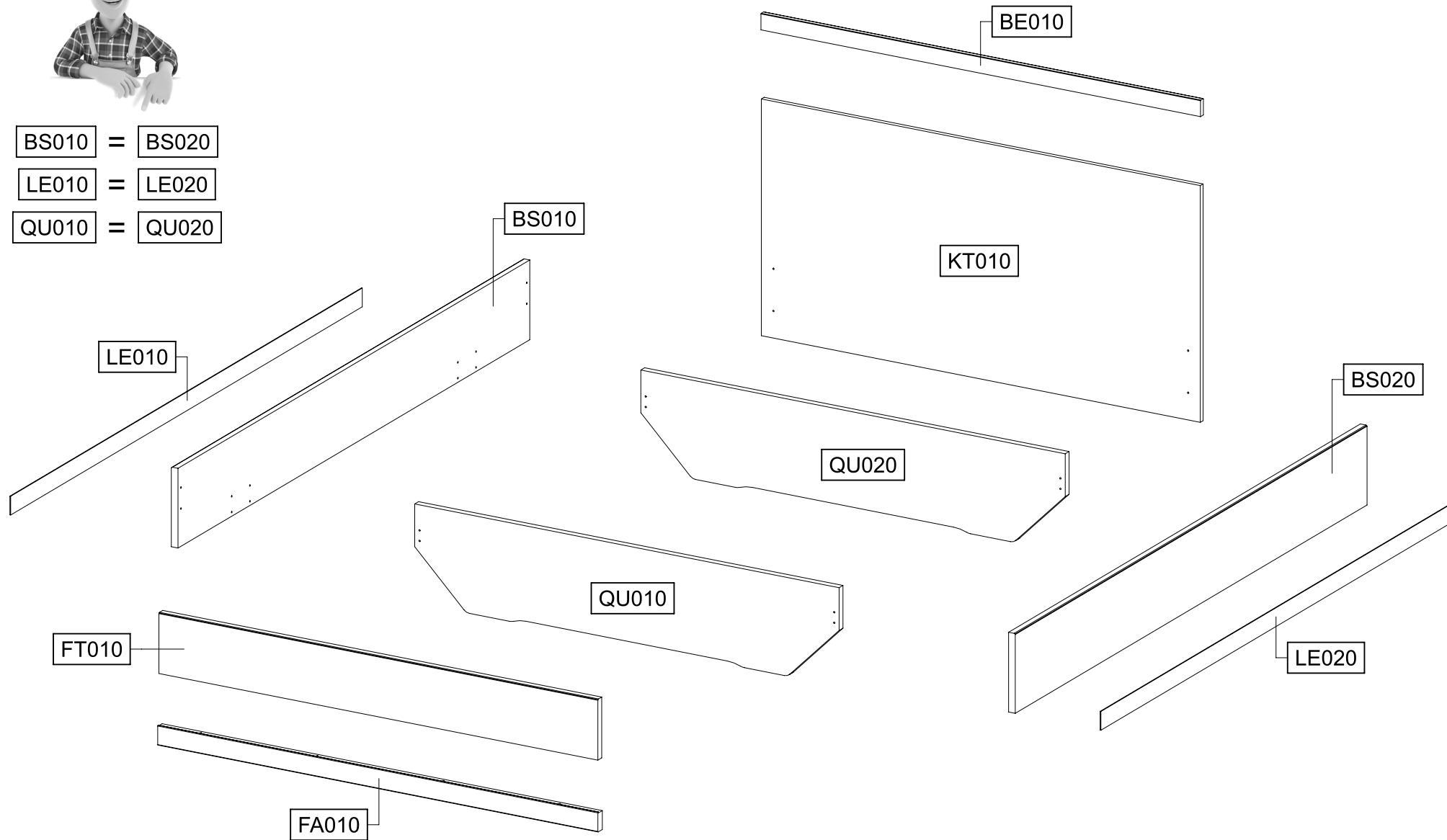


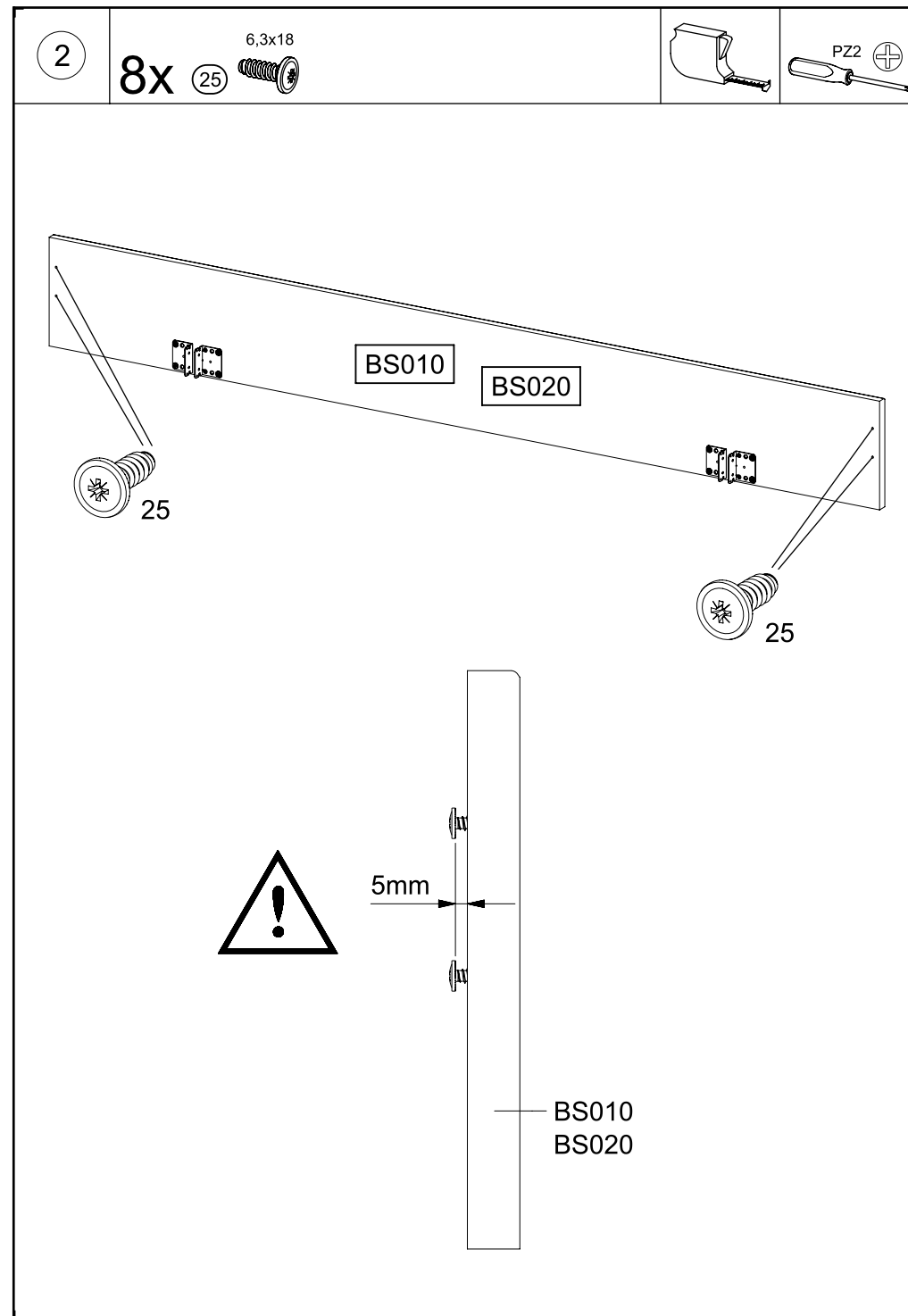
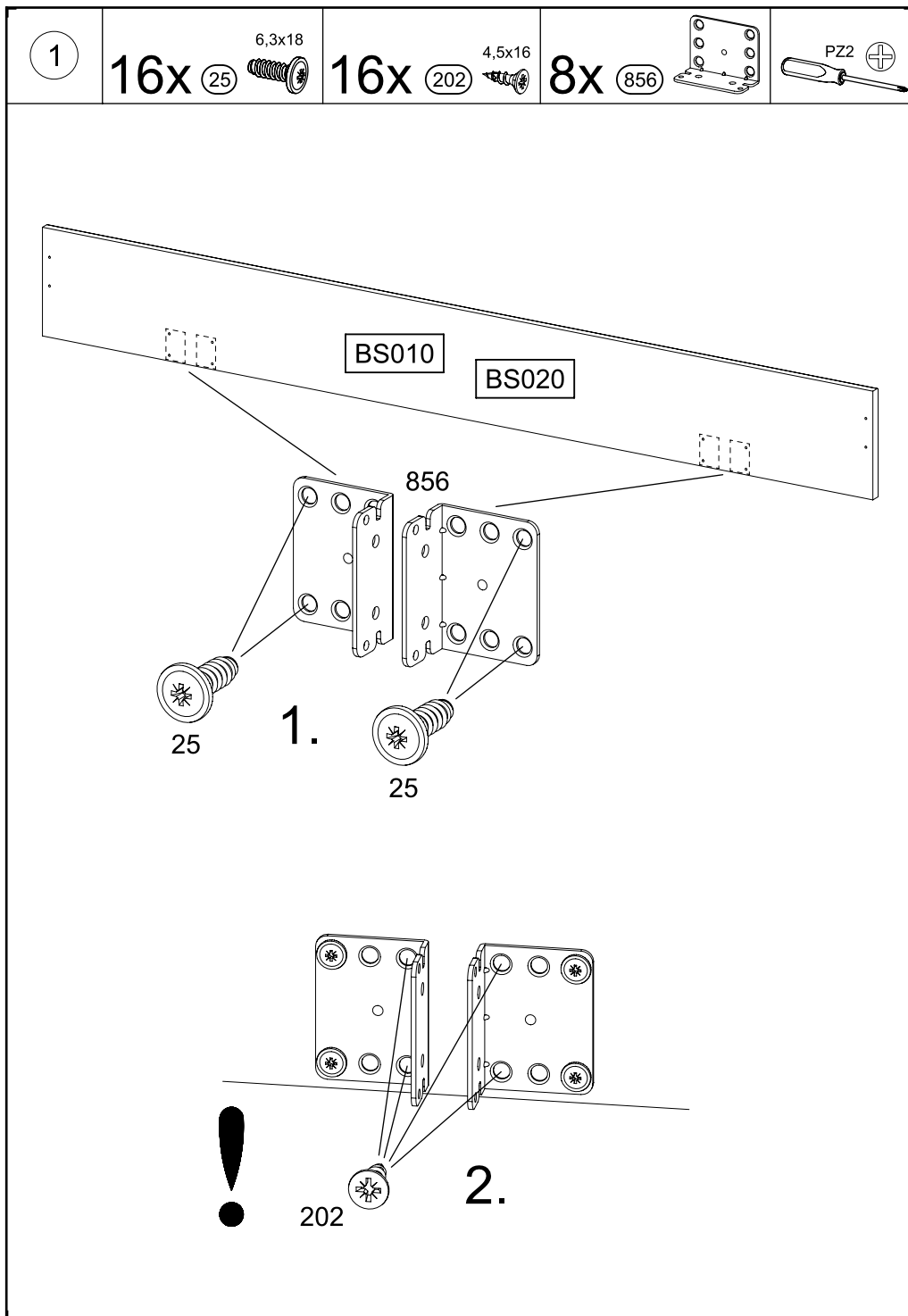


BS010 = BS020

LE010 = LE020

QU010 = QU020

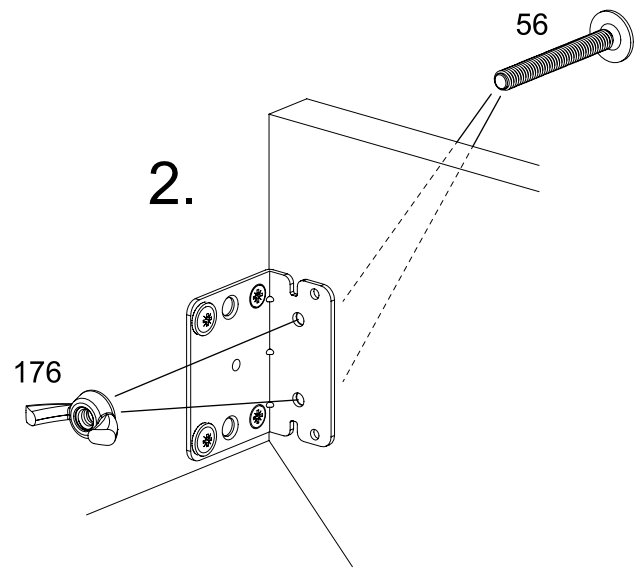
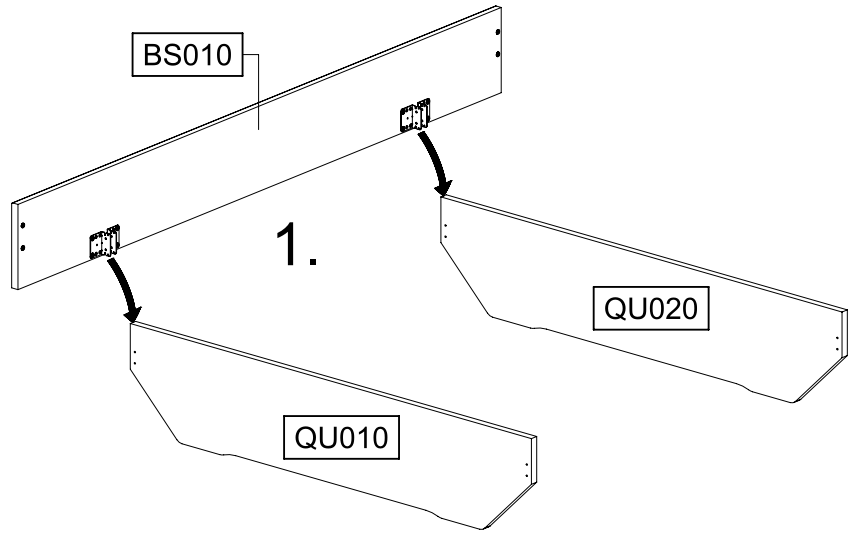
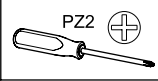




3

4x 56 M4x32

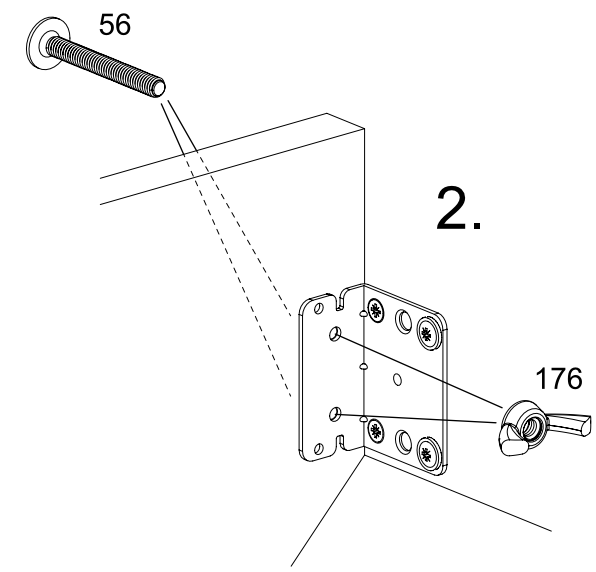
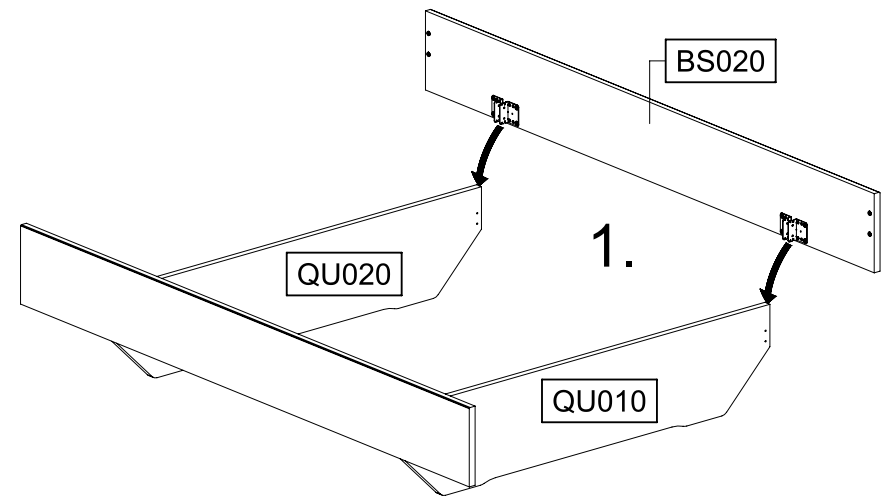
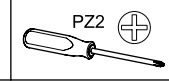
4x 176 M4



4

4x 56 M4x32

4x 176 M4



5

4/6x ^{6,3x18} 25 ^{43x15x1,25} 728

FA010

1.

728

25

$\leftarrow \leq 120\text{cm} \rightarrow$ 2x
 $\leftarrow \geq 140\text{cm} \rightarrow$ 3x

FA010

2.

FA010

25

6

3/4x ^{4,5x55} 229

FA010

FT010

Xmm

X = Xmm

1.

FA010

FT010

2.

FA010

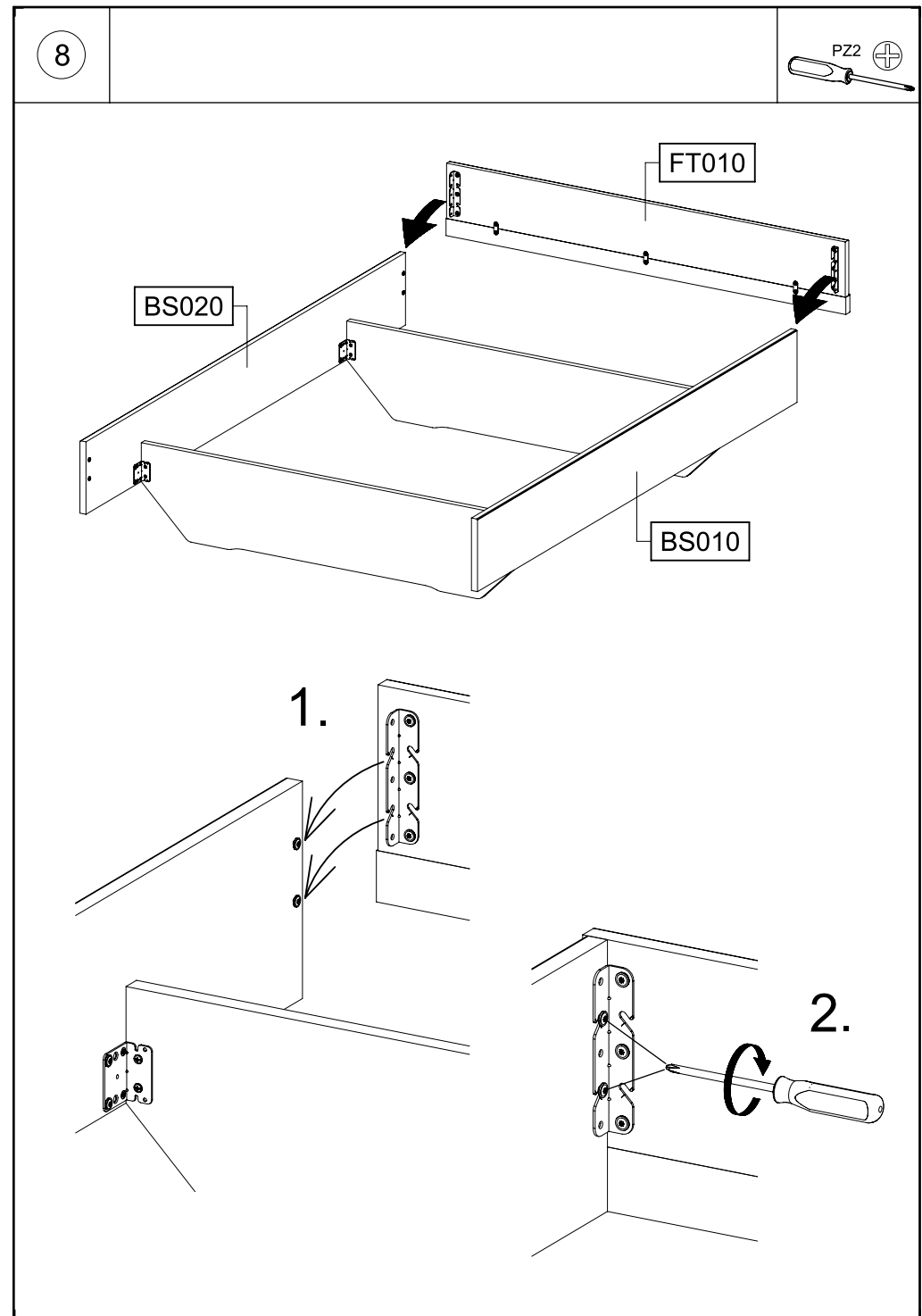
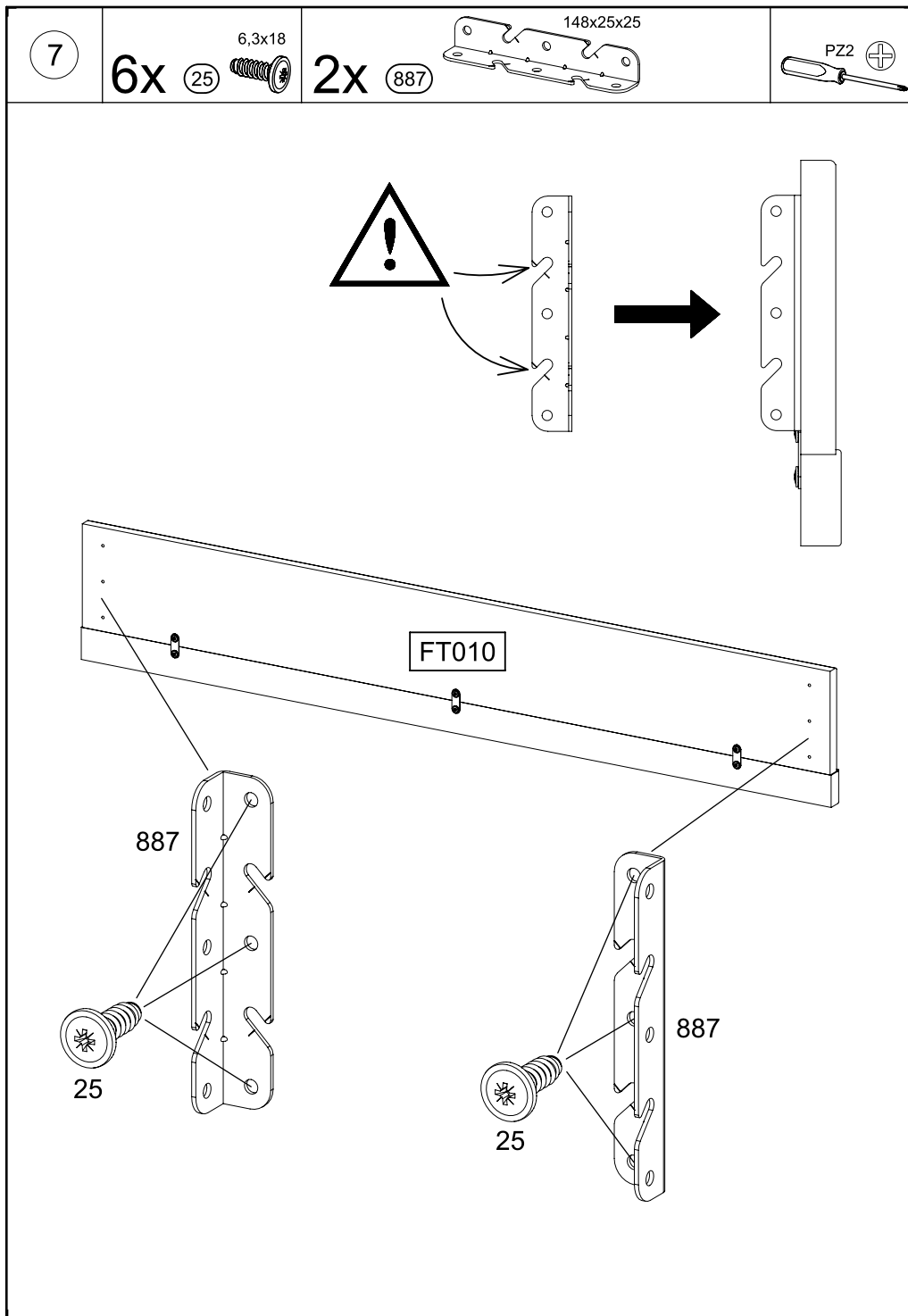
229

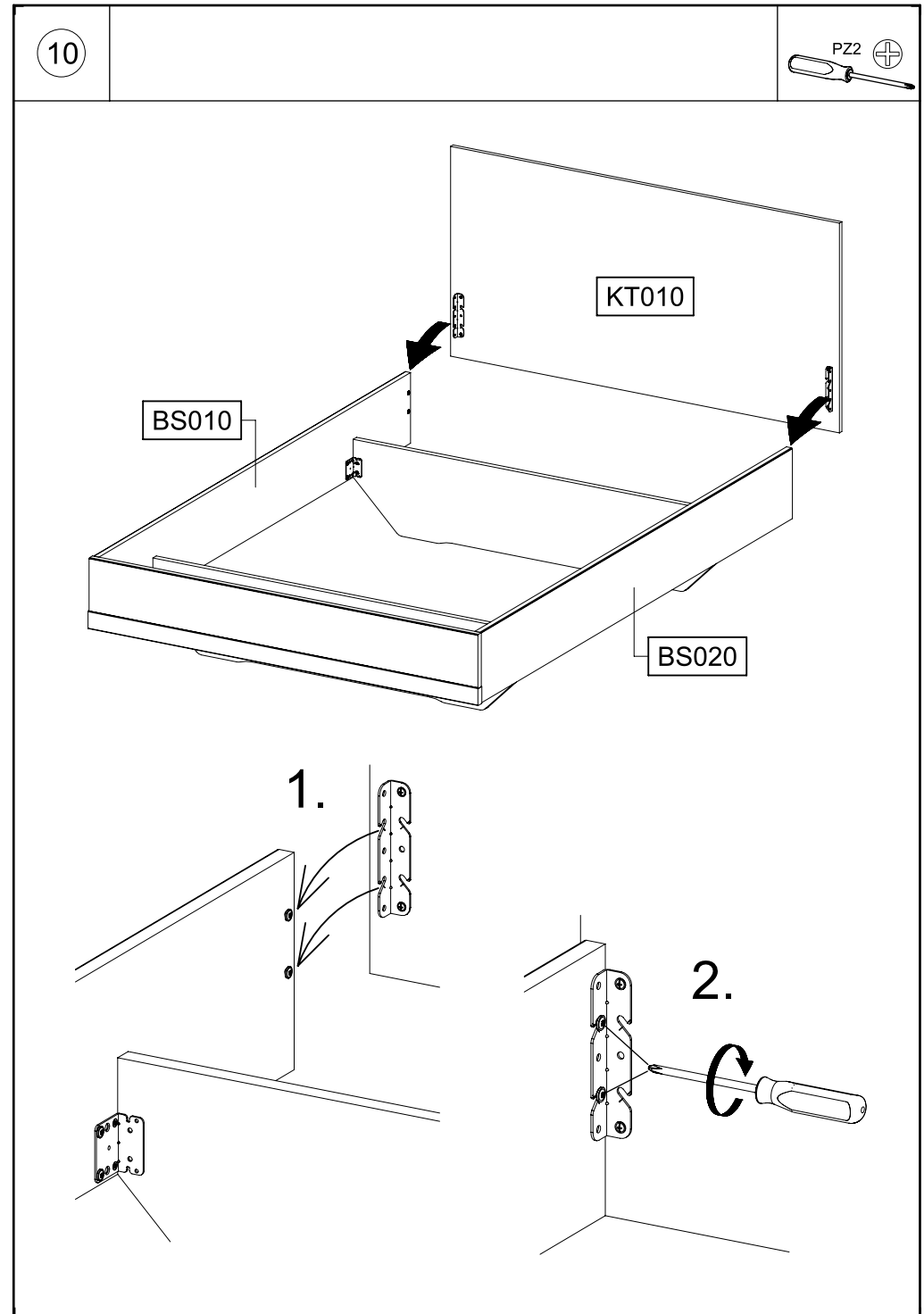
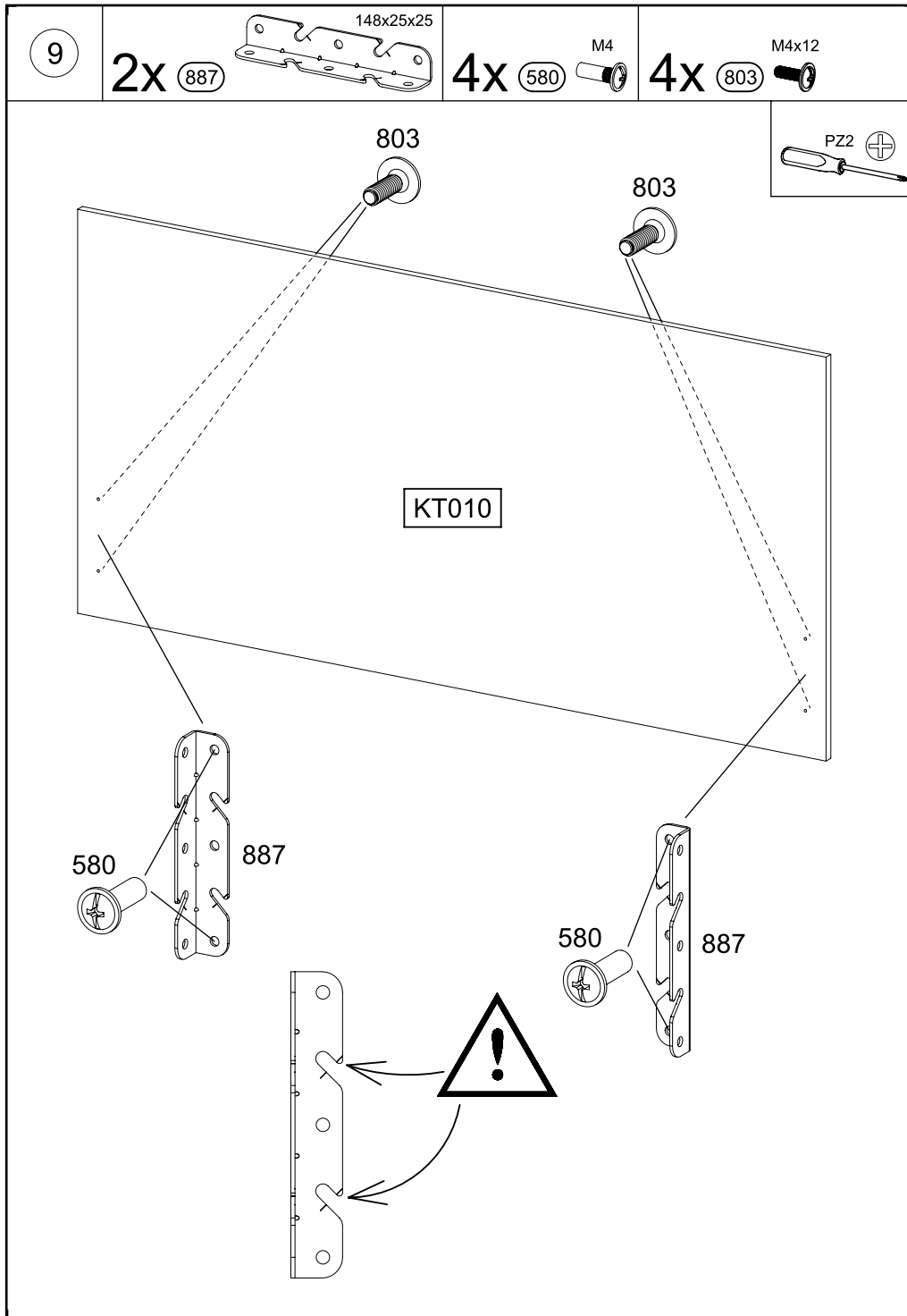
$\leftarrow \leq 100\text{cm} \rightarrow$ 3x
 $\leftarrow \geq 120\text{cm} \rightarrow$ 4x

FA010

FT010

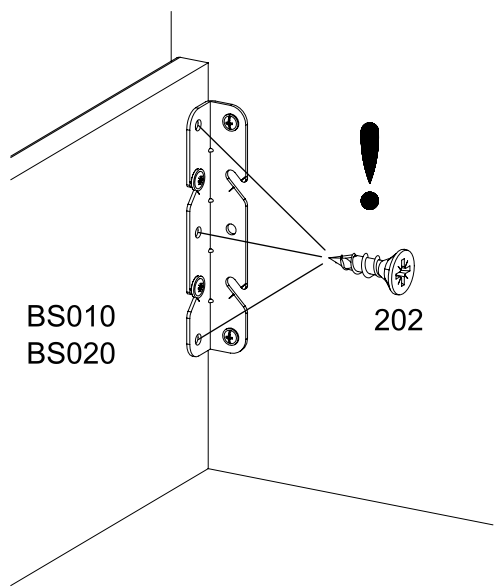
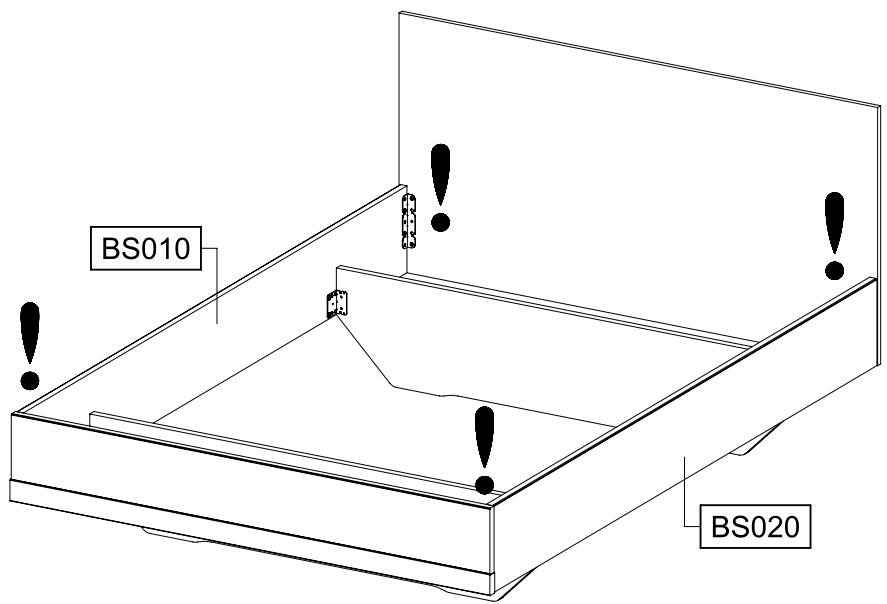
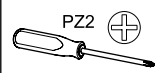
229





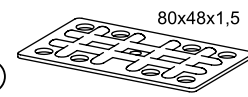
11

12x 202 4,5x16

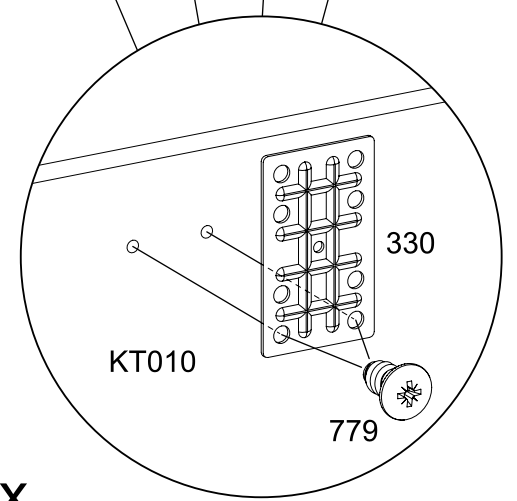
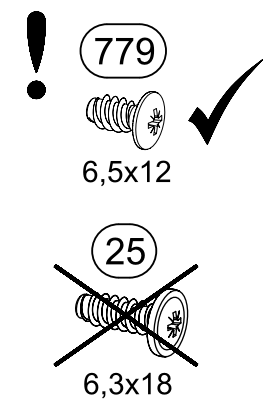
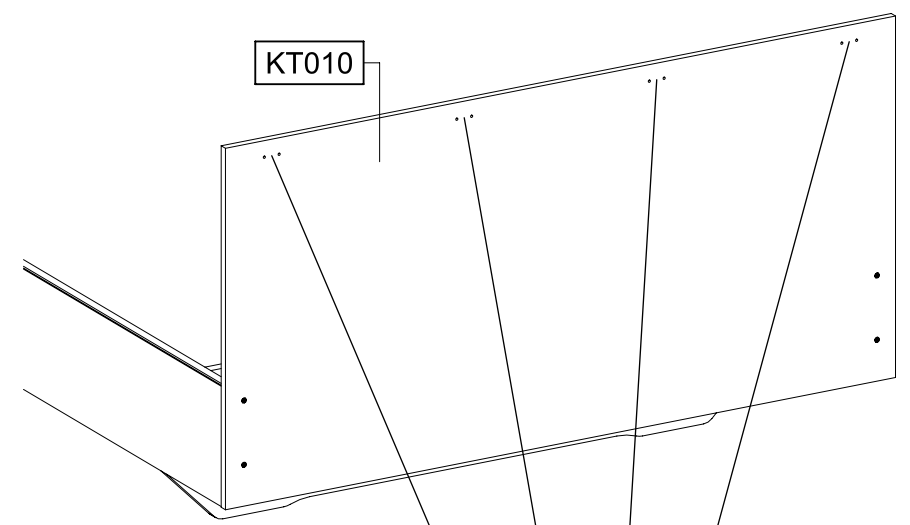
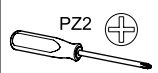


12

3/4x 330



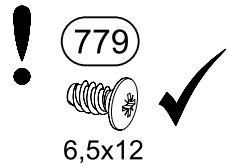
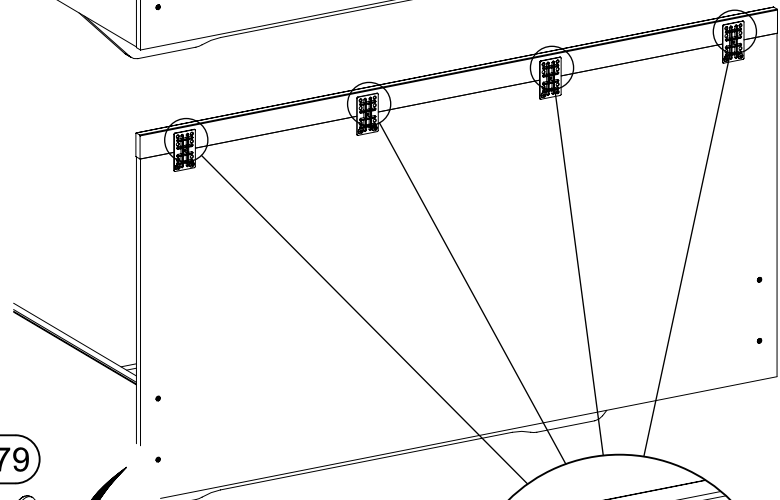
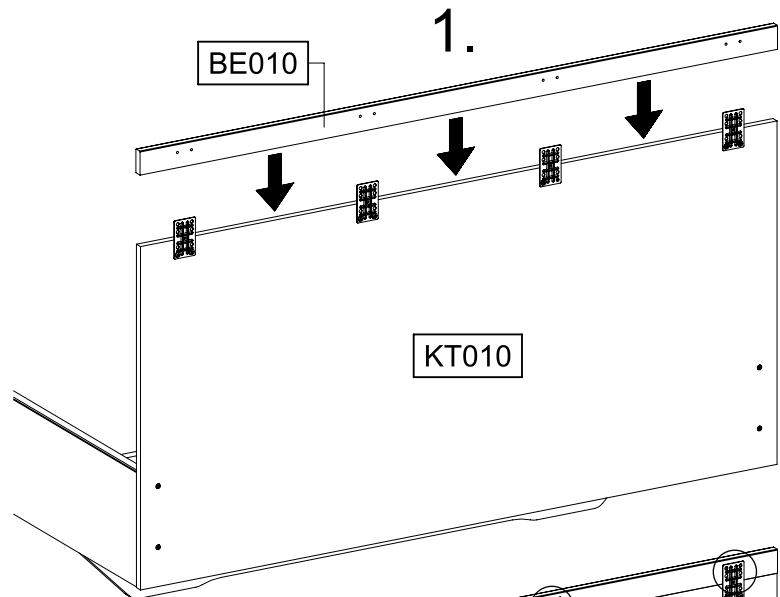
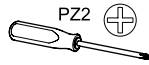
6/8 779 6,5x12



← ≤ 120cm → 3x
← ≥ 140cm → 4x

13

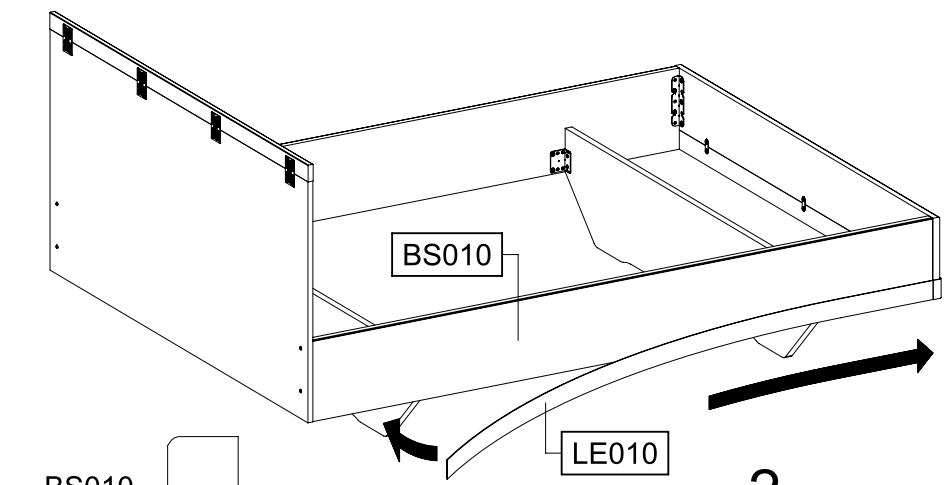
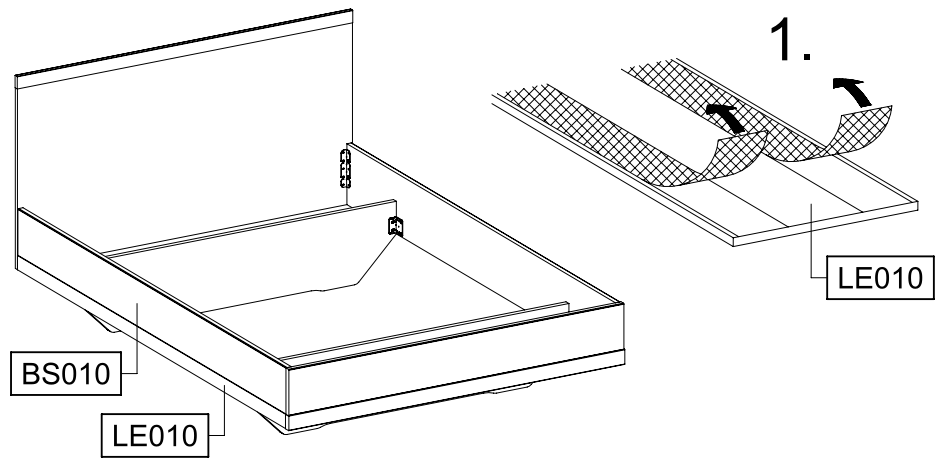
6/8x 779 6,5x12



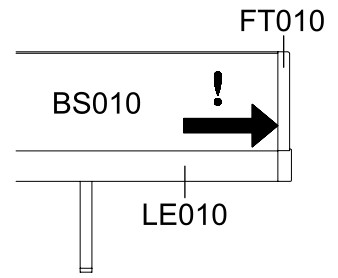
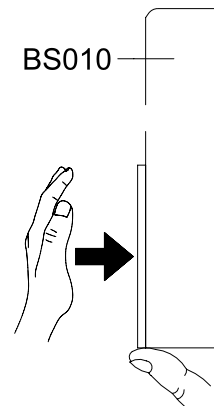
2.

779

14



3.



15

