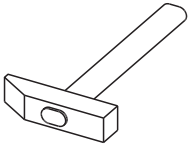
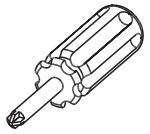
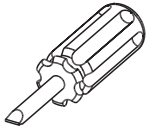
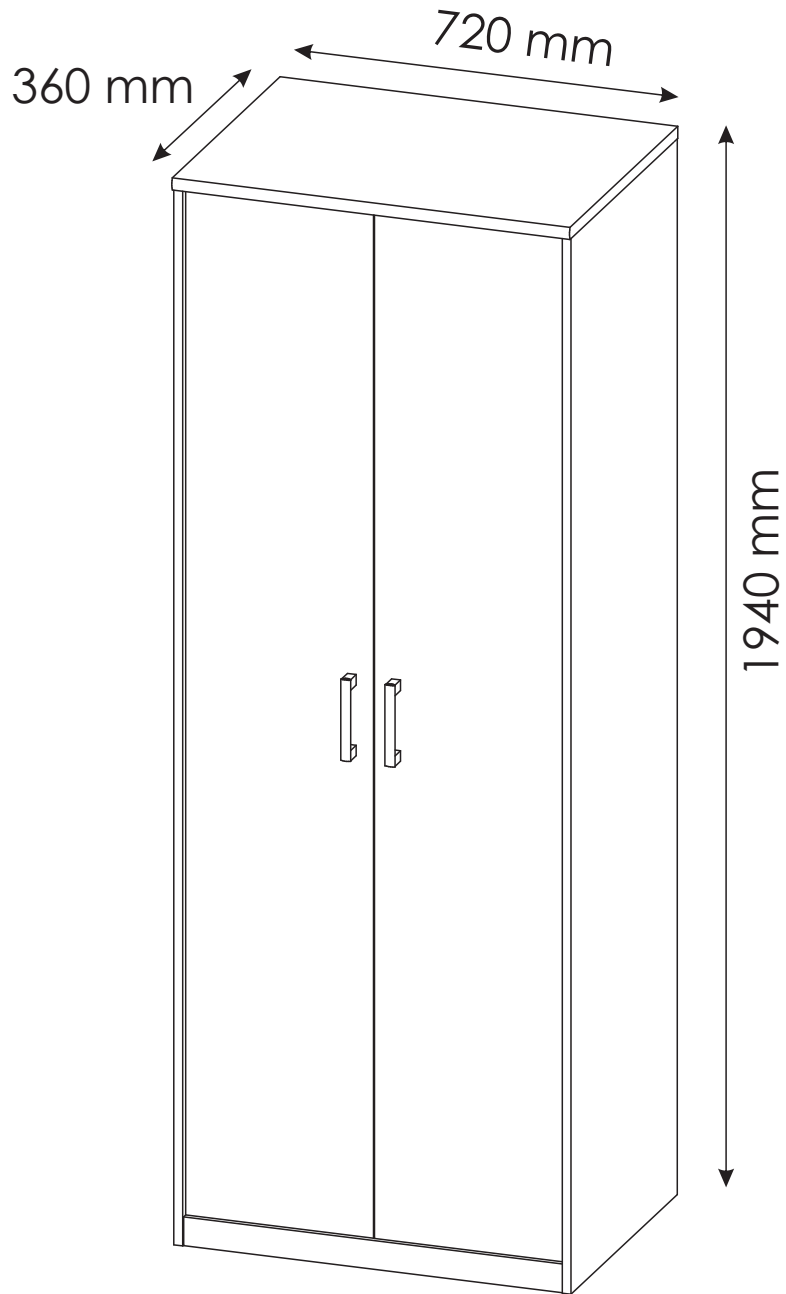
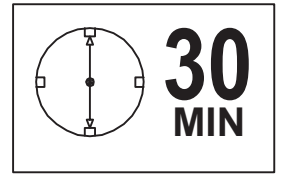
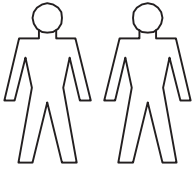
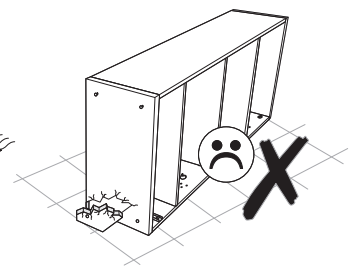
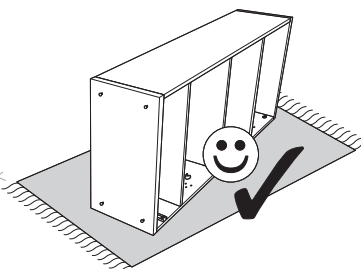
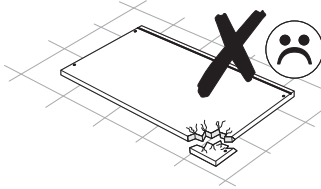
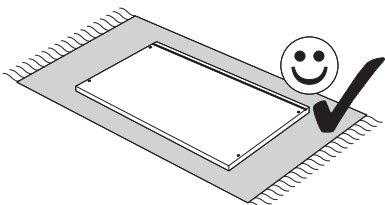
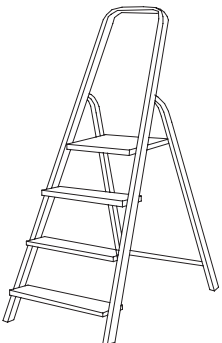


EASY - TYP 301










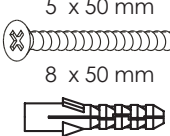

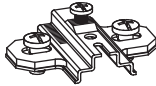


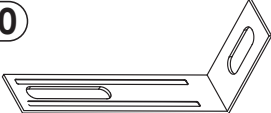
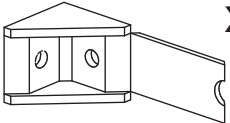

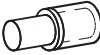




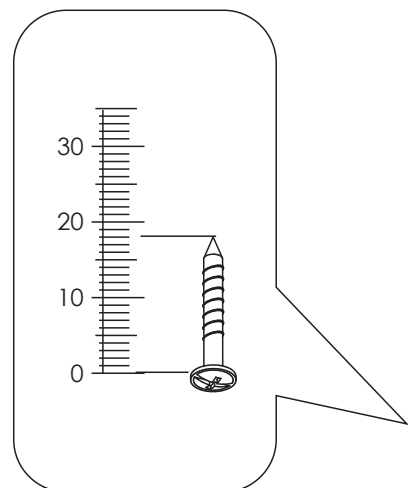
Ø8



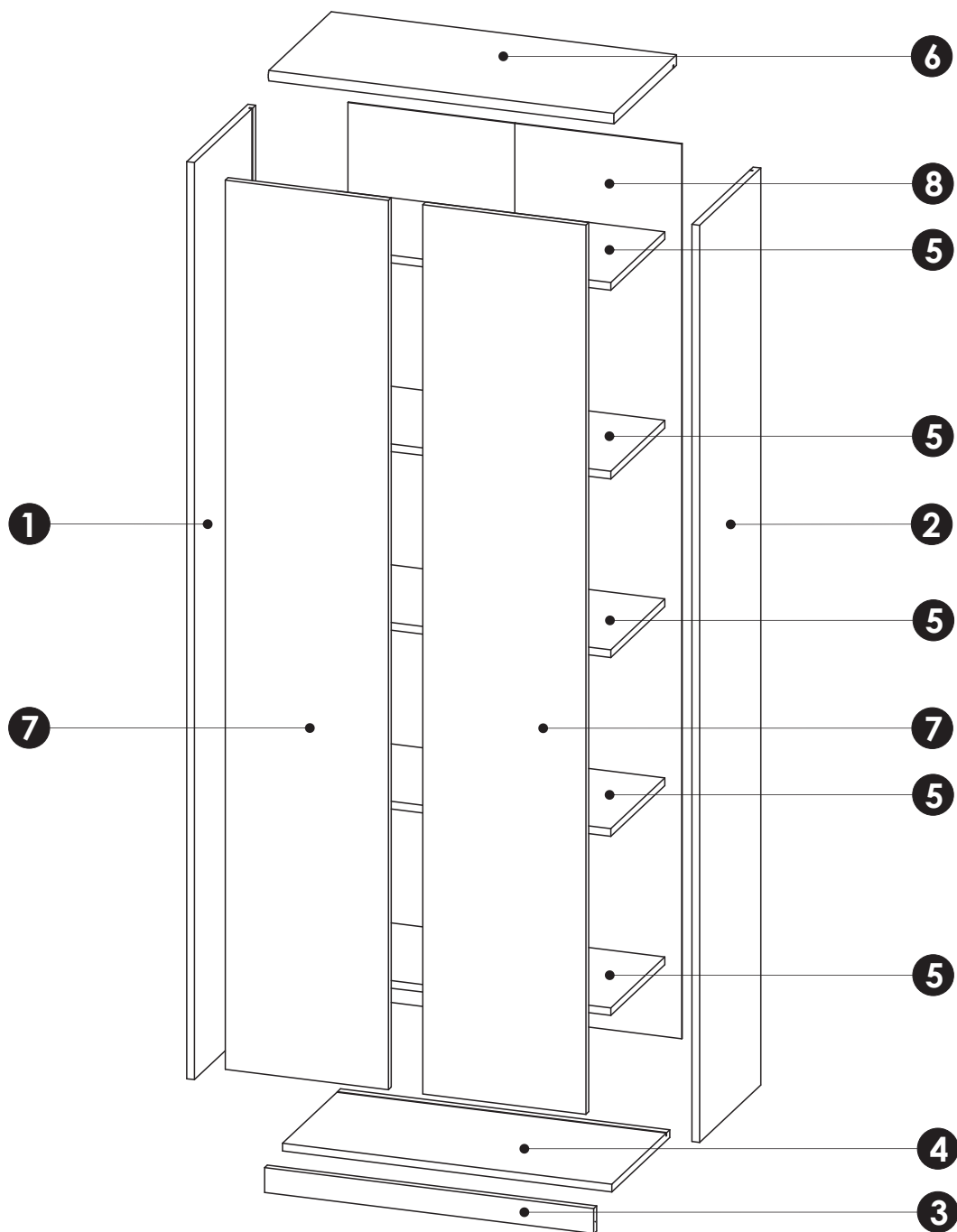
EASY - TYP 301

MM


<p>A0 8 x 30mm x10</p> 	<p>C0 x4</p> 	<p>C2 x8</p> 
<p>C7 x8</p> <p>16mm</p> 	<p>D0 3 x 15 mm x16</p> 	<p>D5 3.5 x 16 mm x8</p> 
<p>D10 4 x 16 mm x16</p> 	<p>D16 4,2 x 28 mm x4</p> 	<p>D21 5 x 13 mm x1</p> 
<p>E0 x1</p> <p>5 x 50 mm 8 x 50 mm</p> 	<p>J4 x8</p> 	<p>J6 x8</p> 
<p>L5 x2</p> 	<p>M1 x16</p> 	<p>P0 x1</p> 
<p>P20 x4</p> 	<p>Q3 x20</p> 	<p>Q4 x2</p> 
<p>T3 x6</p> 	<p>U0 x2</p> 	

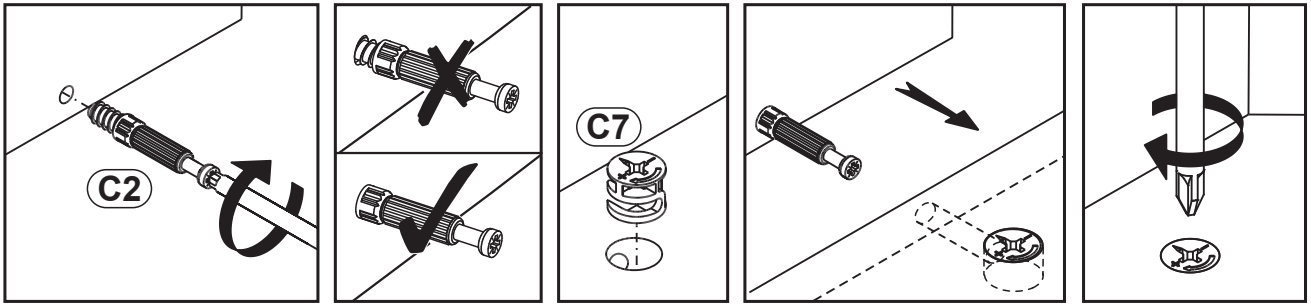


EASY - TYP 301

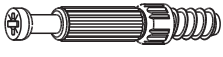

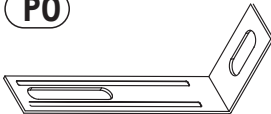
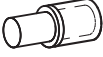


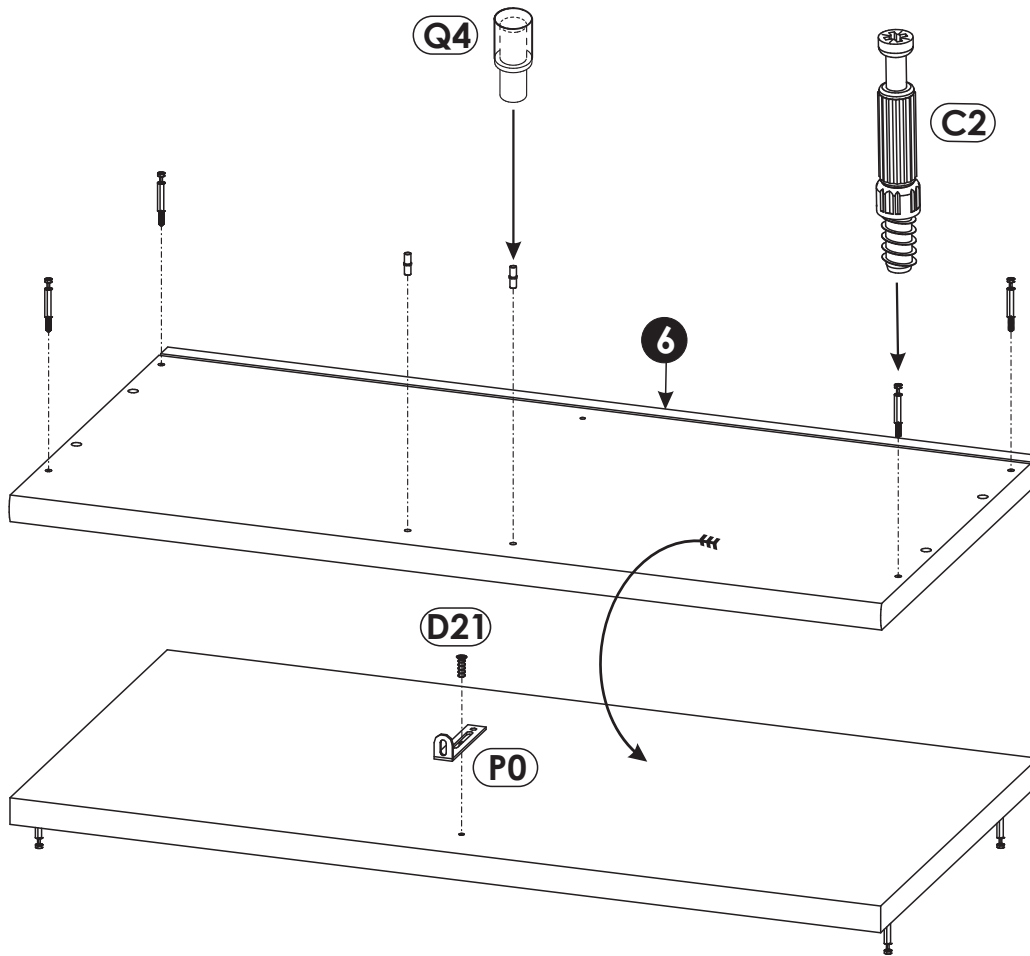
1	1912	350	16	x1	3/3
2	1912	350	16	x1	3/3
3	686	52	16	x1	1/3
4	686	332	16	x1	1/3
5	686	310	16	x5	1/3

6	720	360	22	x1	1/3
7	1854	340	16	x2	2/3
8	1860	696	2.8	x1	3/3
					1/3


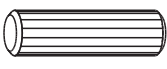


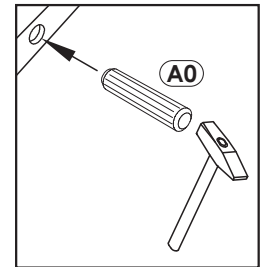
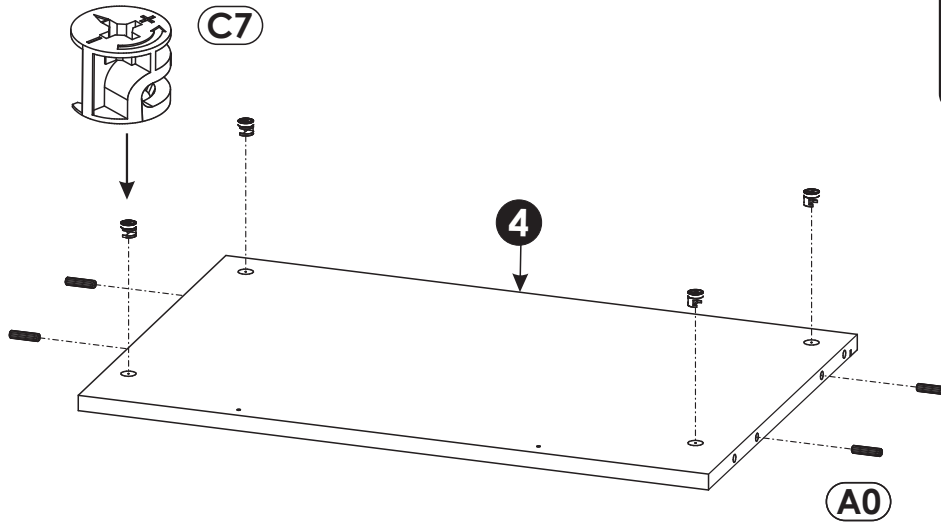
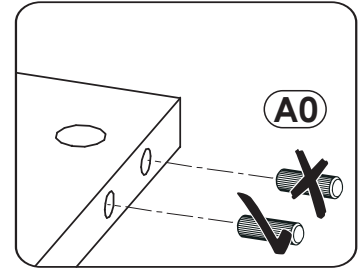
1 ▶

<p>(C2) x4</p> 	<p>(D21) 5 x 13 mm x1</p> 	<p>(P0) x1</p> 
<p>(Q4) x2</p> 		

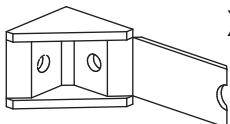
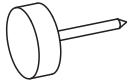


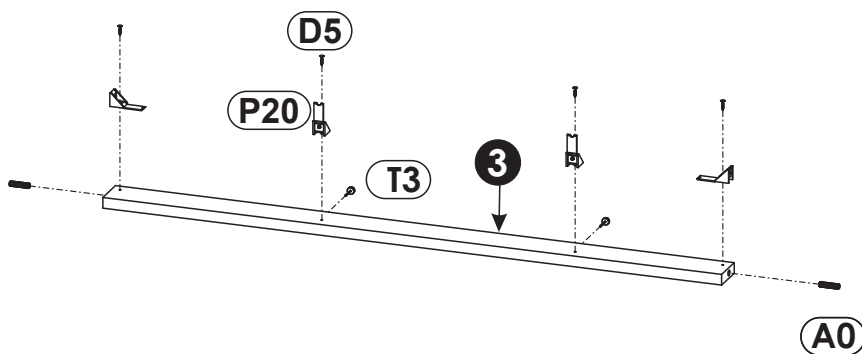
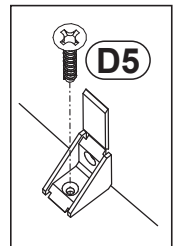
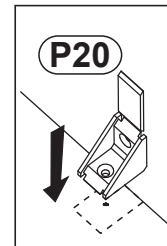
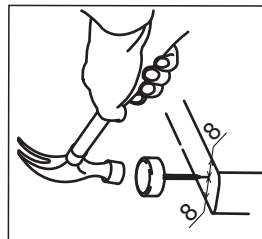
2 ▶

A0	8 x 30mm	x4	C7		x4
			16mm		






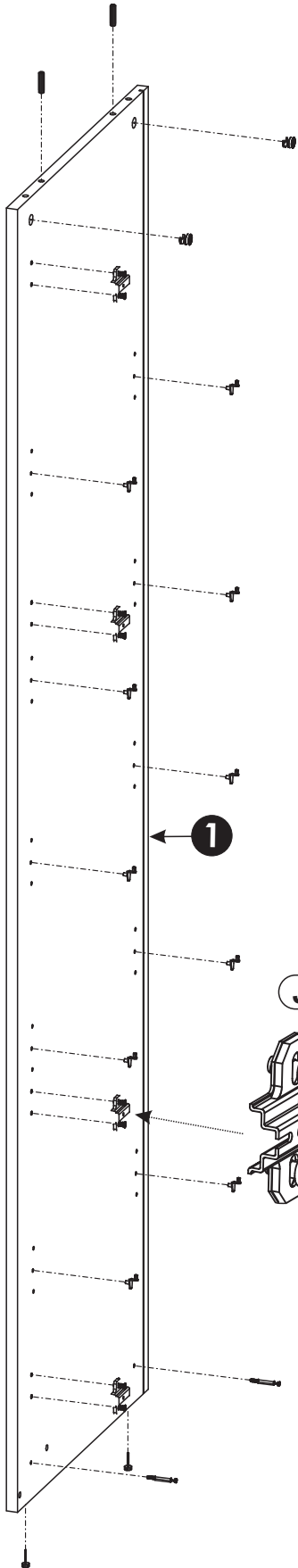
3 ▶

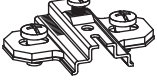

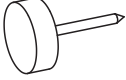
A0	8 x 30mm	x2	D5	3.5 x 16 mm	x4	P20		x4
T3		x2						

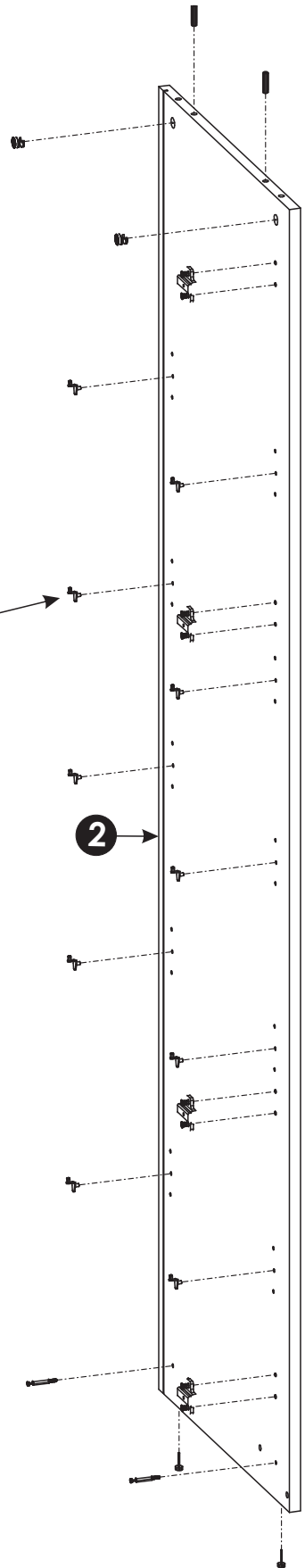


4

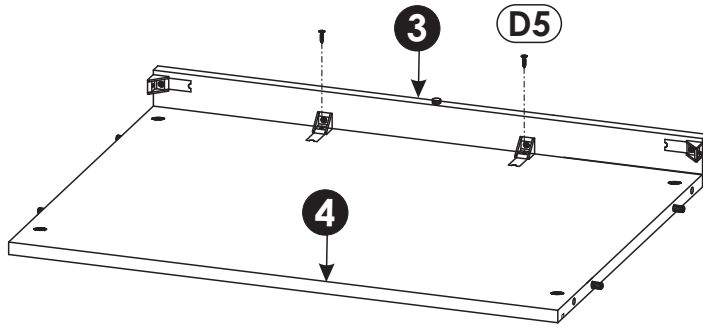
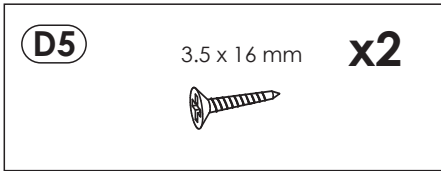
A0 8 x 30mm x4 	C2 x4 	C7 16mm x4 
---	---	---



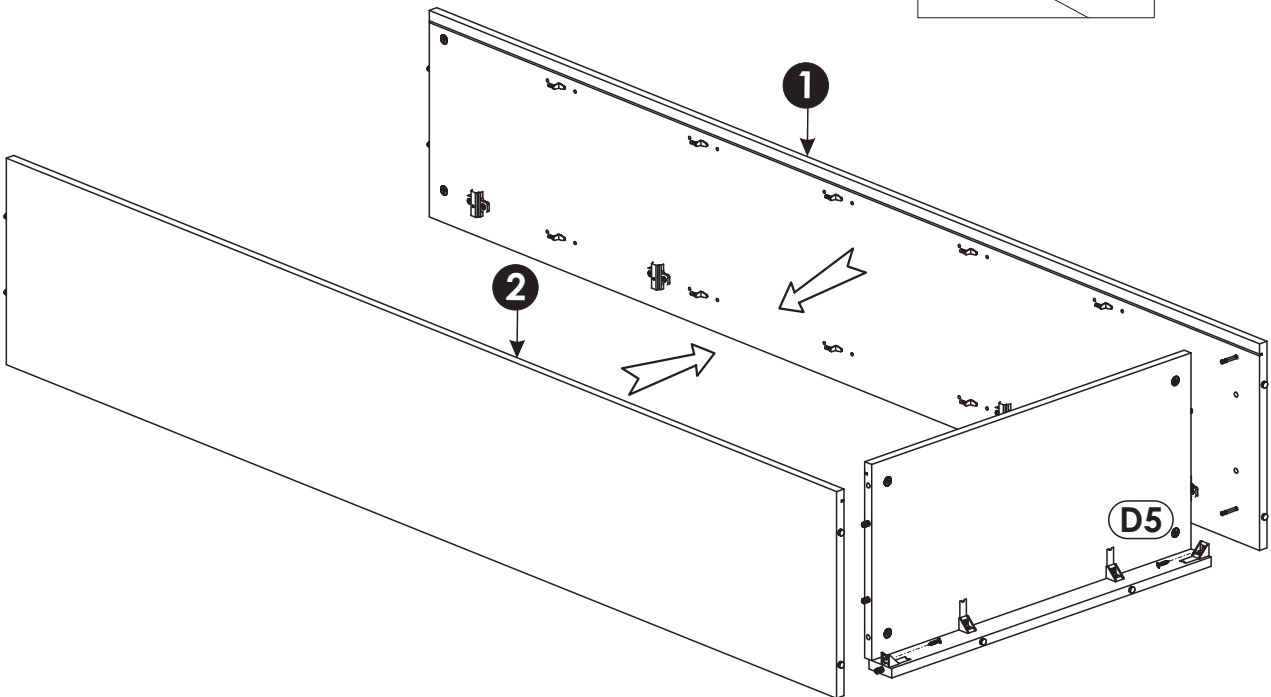
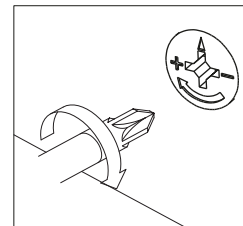
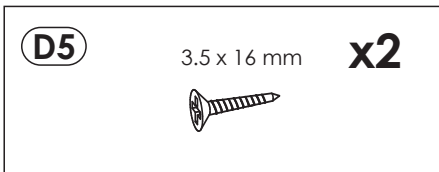
J6 x8 	Q3 x20 	T3 x4 
---	--	---



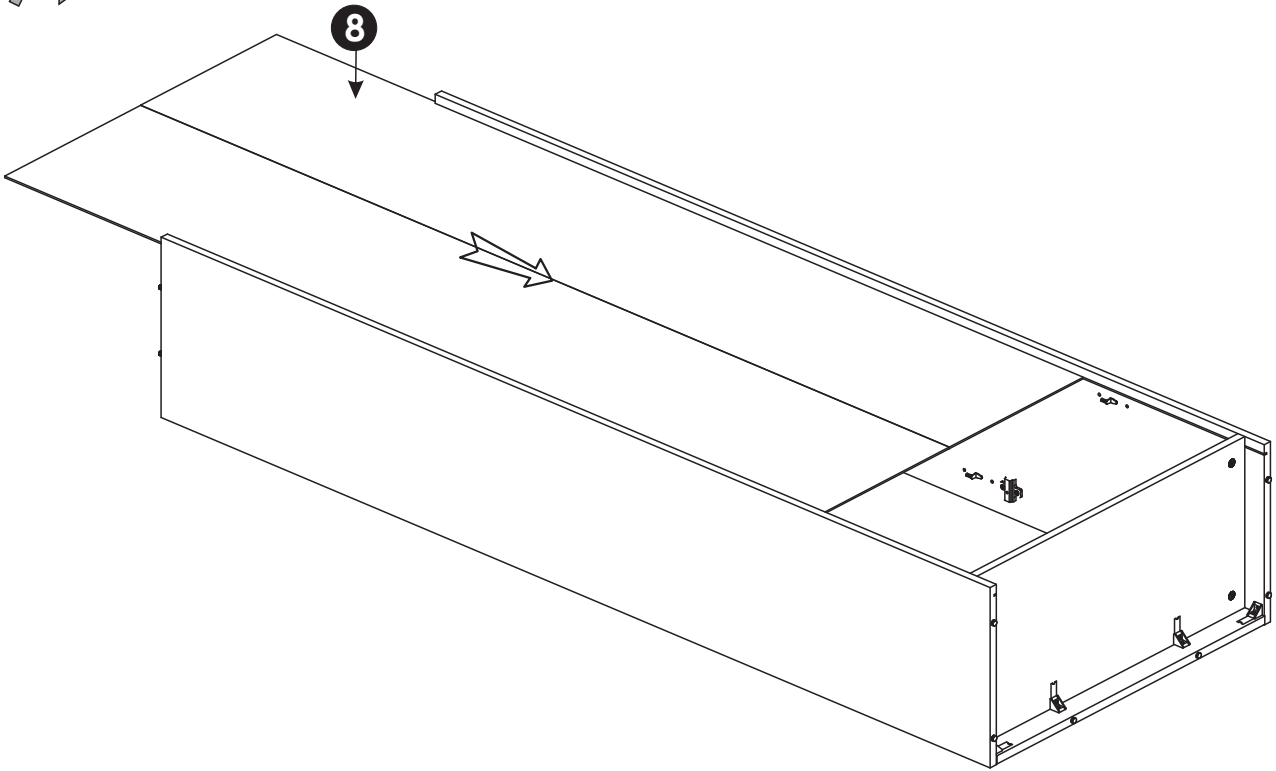
5 ▶





6 ▶

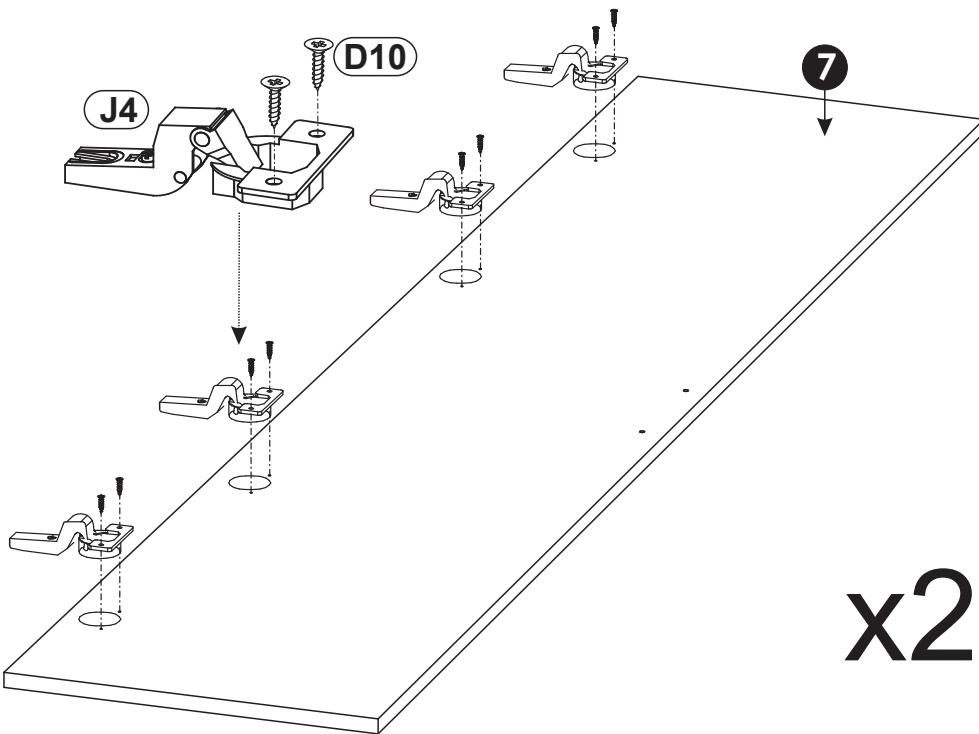


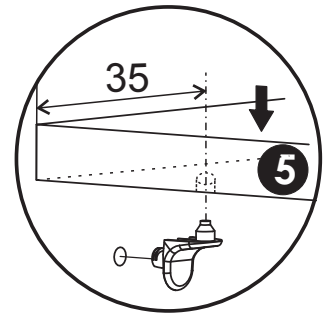
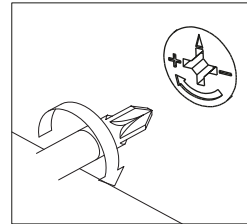
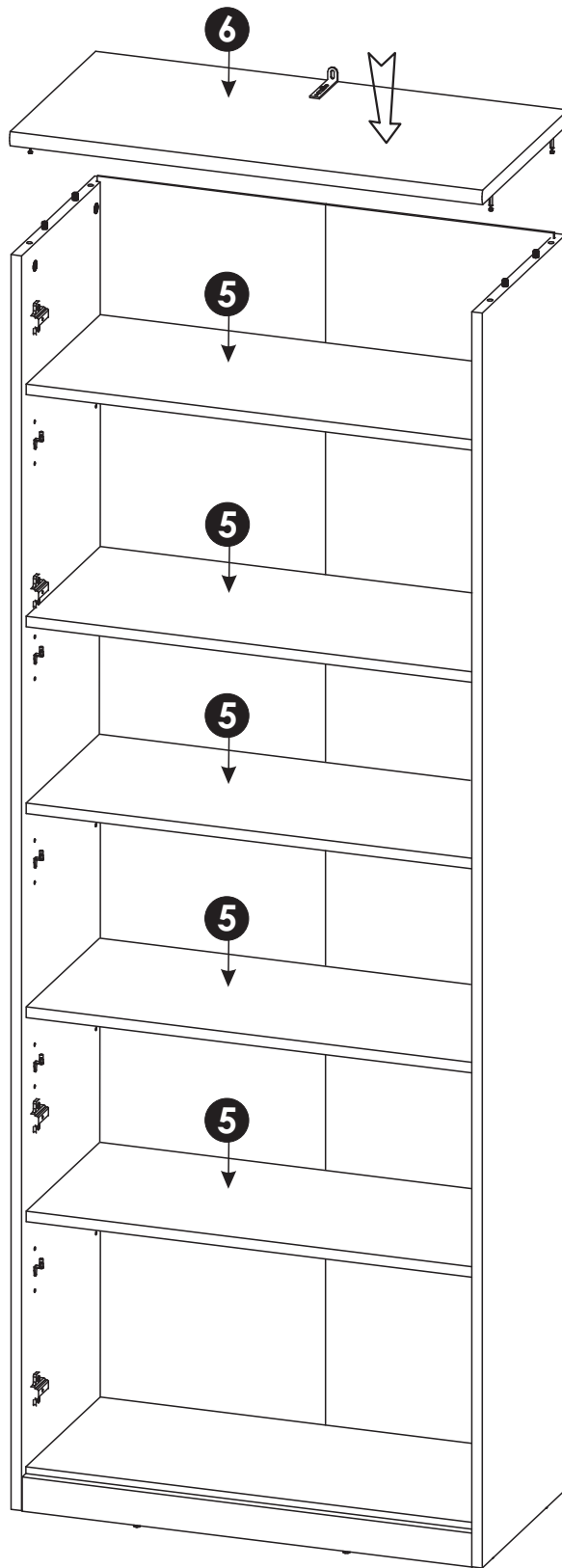
7 ▶




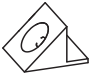
8 ▶

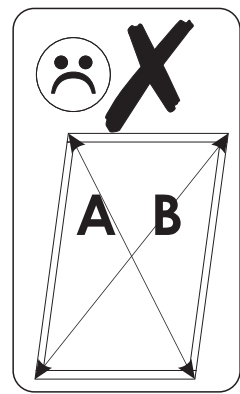
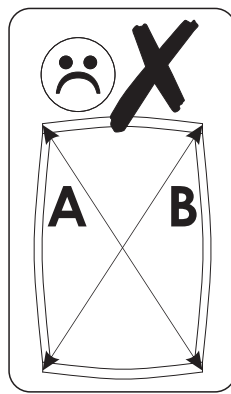
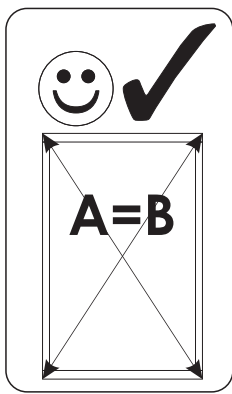
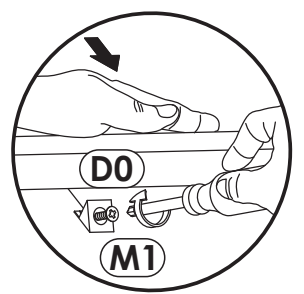
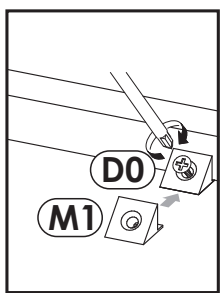
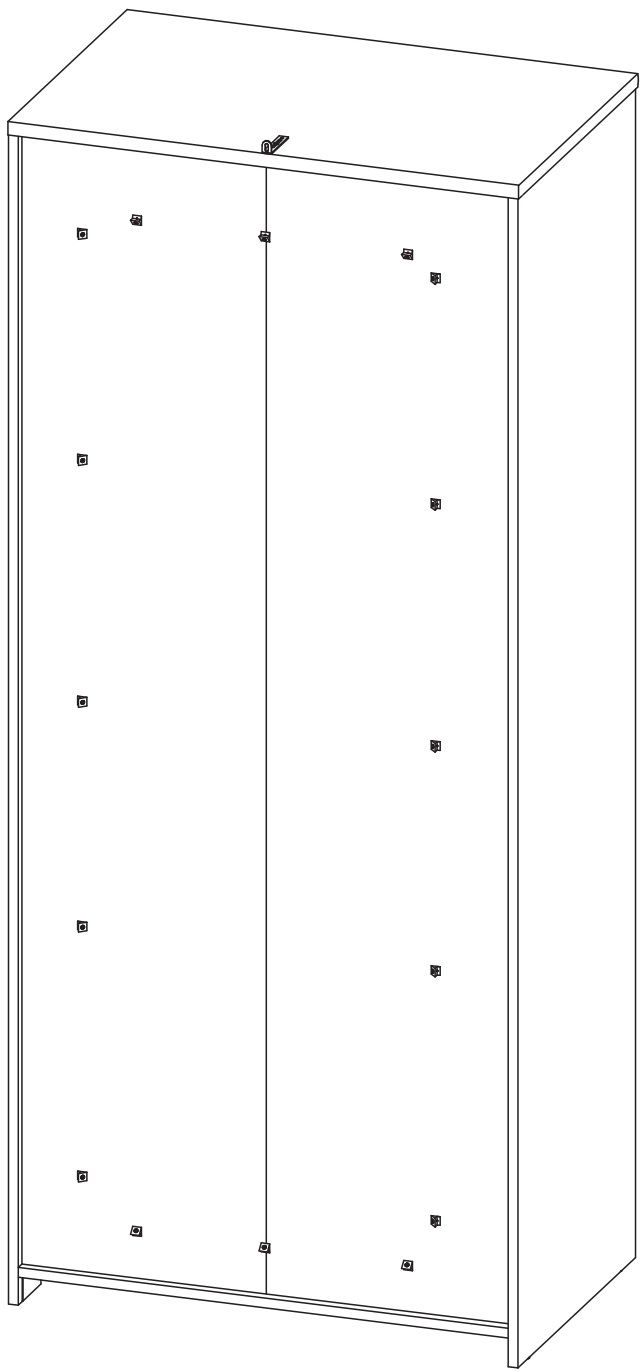
D10	4 x 16 mm	x16	J4	x8
				





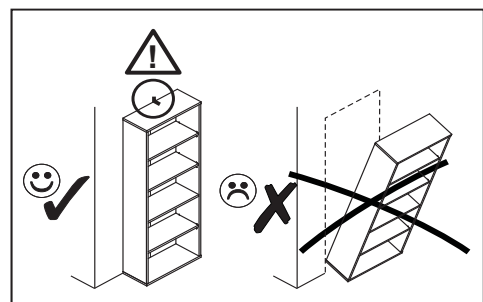
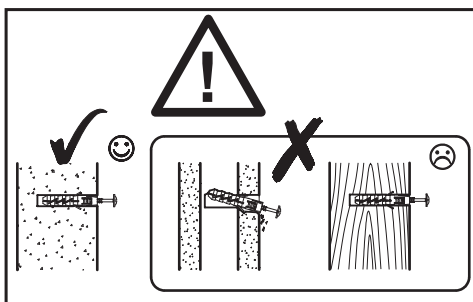
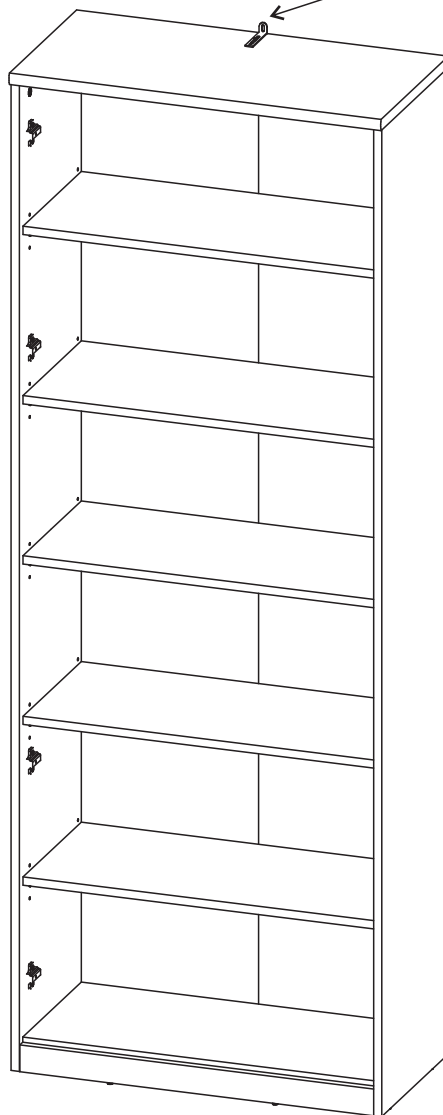
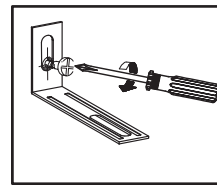
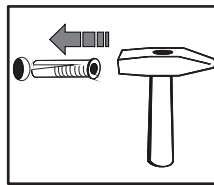
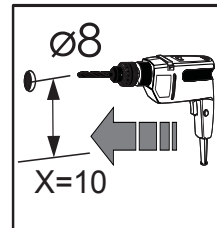
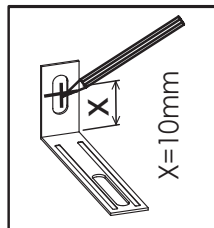
10▶

(D0) 3 x 15 mm 	x16	(M1) 	x16
---	------------	--	------------


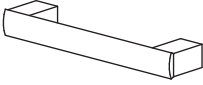



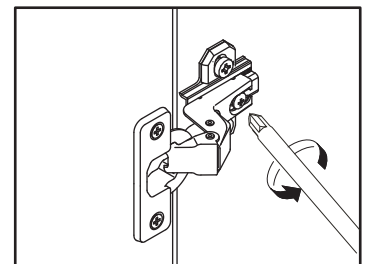
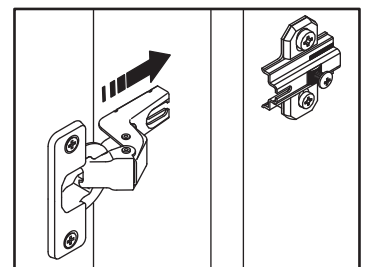
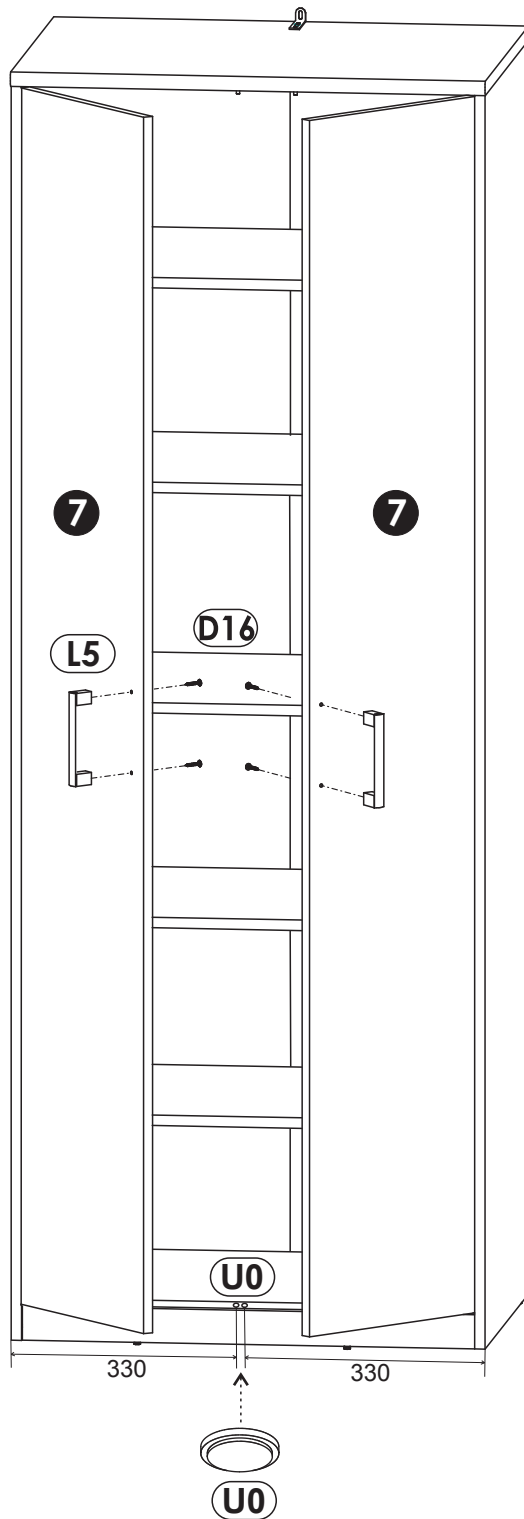
11 ▶

E0 5 x 50 mm **x1**
8 x 50 mm



12▶

D16 4,2 x 28 mm 	L5 	U0 
--	--	--



13 ▶

