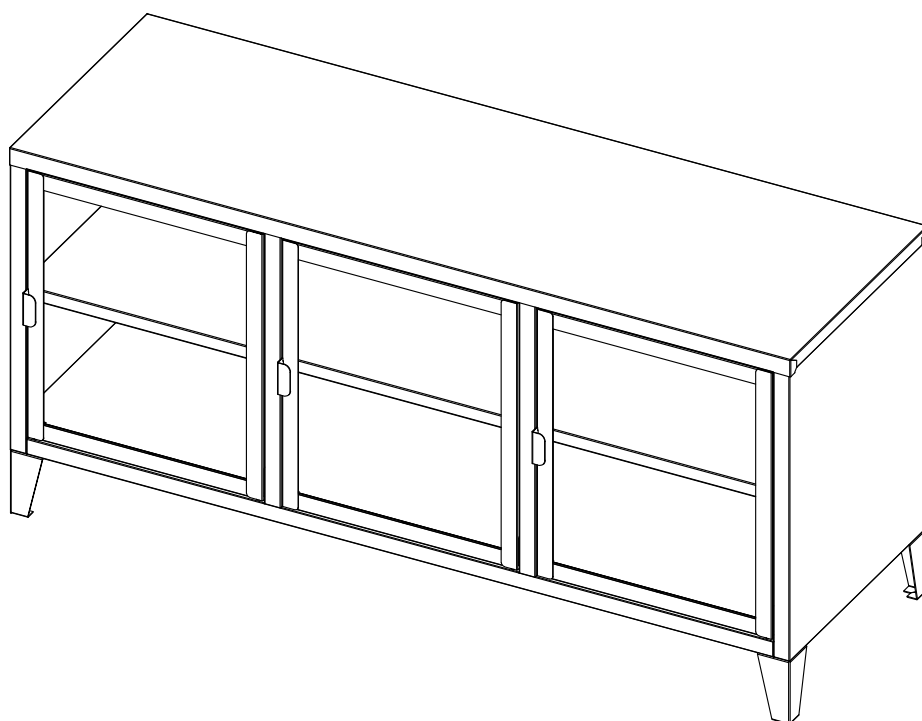
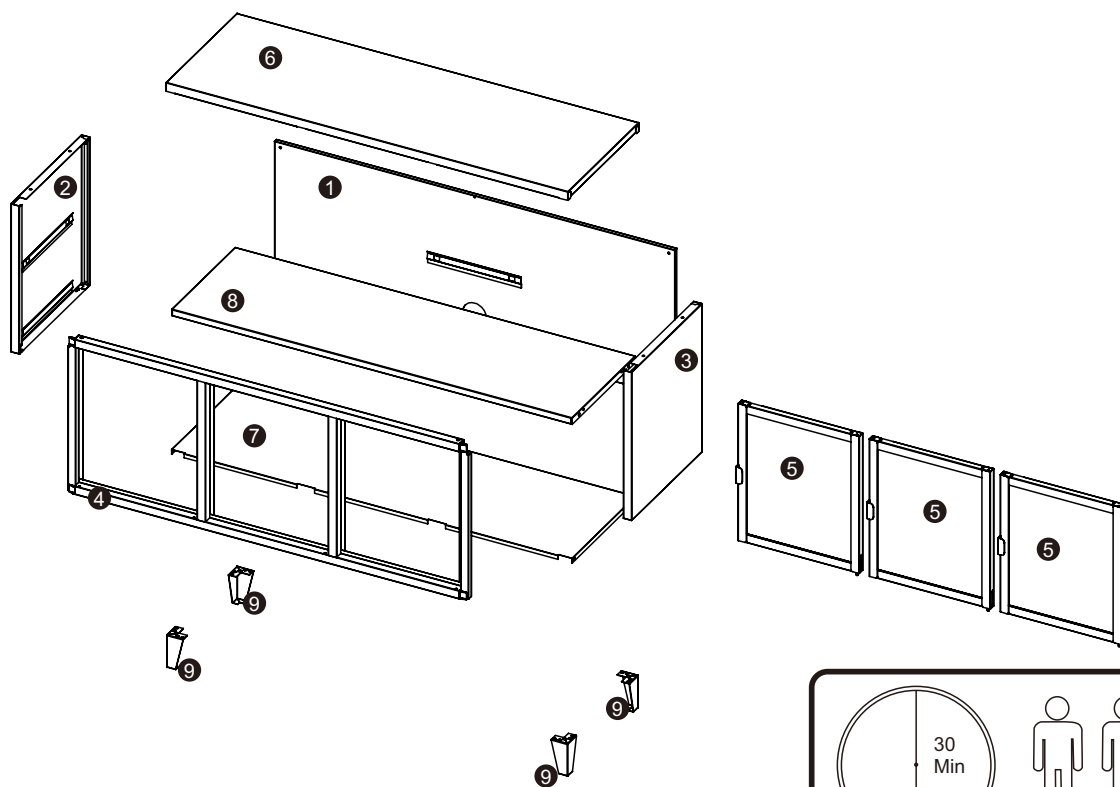


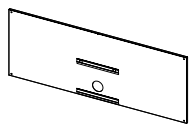
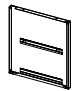
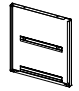
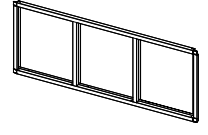
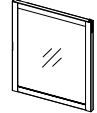
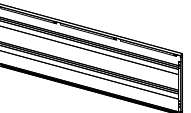
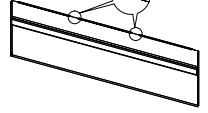


Art. Nr.
68890



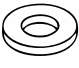


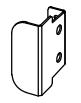
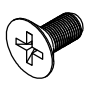

H58 x W120 x D40cm



Art. Nr.
68890

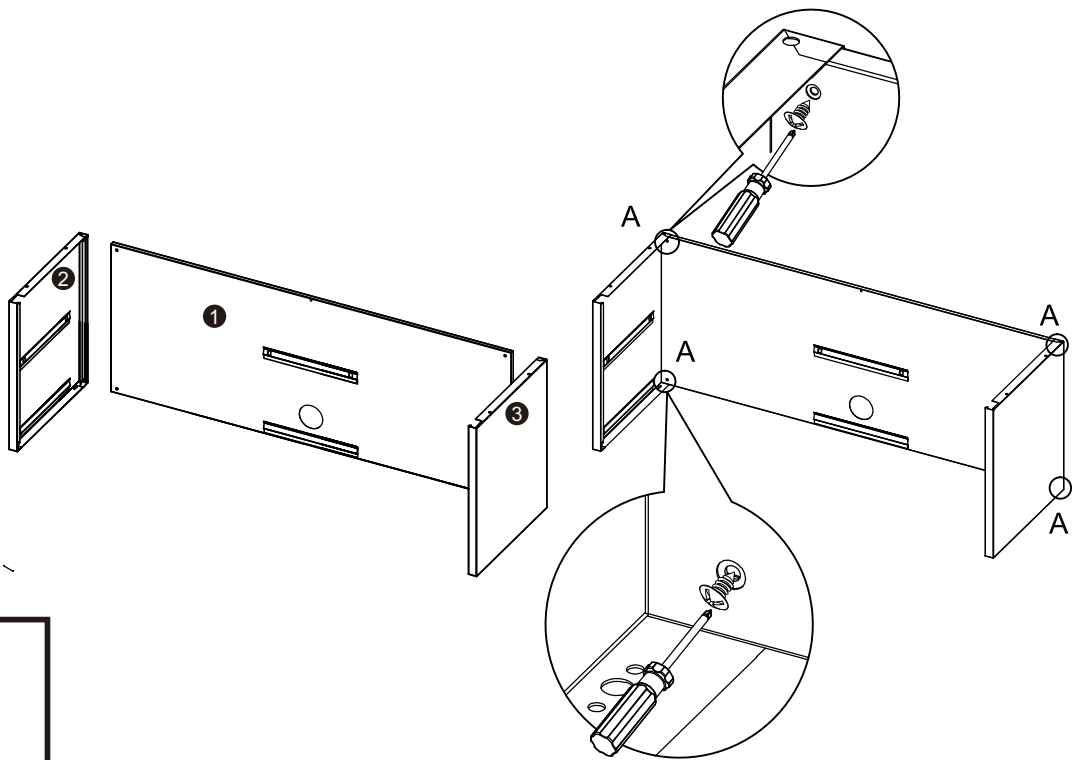


1 1x 	2 1x 	3 1x 	4 1x 	5 3x 
6 1x 	7 1x 	8 1x 	9 4x 	

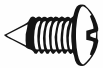
Ax25  M5x12mm	Bx3  φ4.8x25mm	Cx3  φ10x2mm	Dx4  φ11x3mm	Ex9  φ5.5x11.5mm
Fx3 	Gx6  M4x10mm	Hx4  φ15x3mm		

Art. Nr.
68890

1

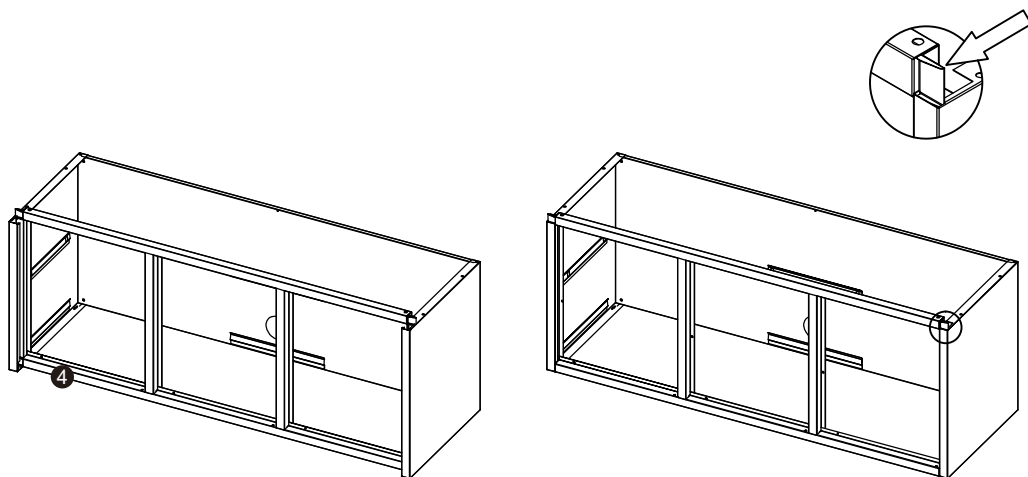


Ax4

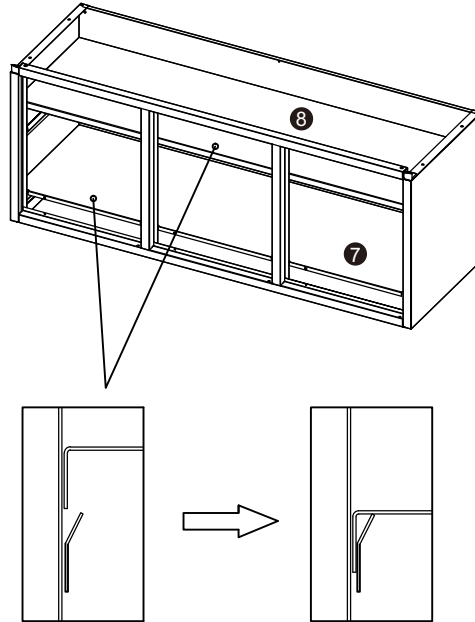


M5x12mm

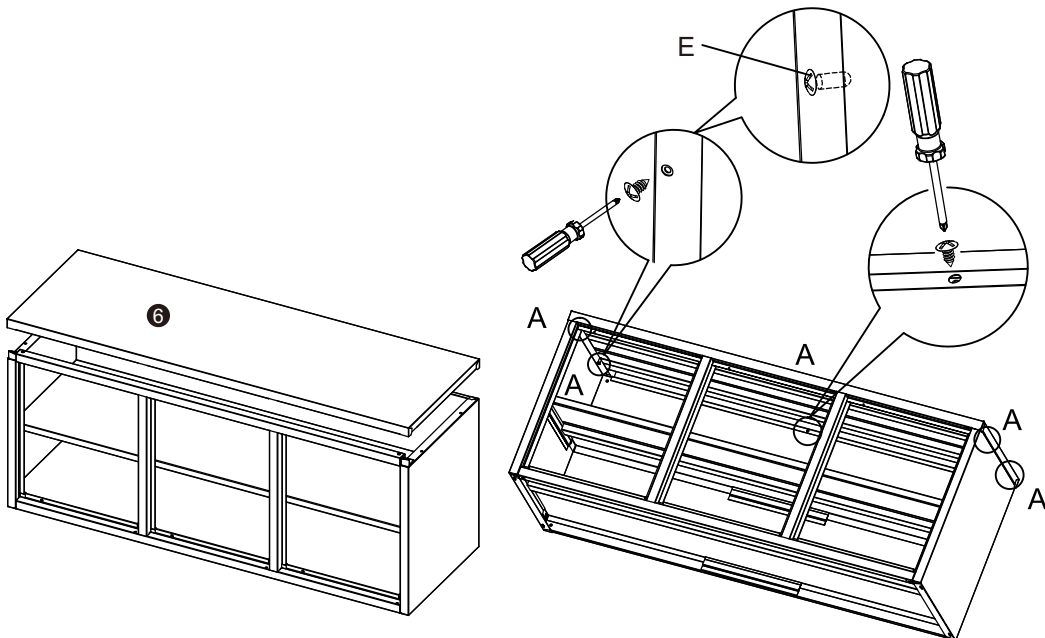
2



3



4



Ax5



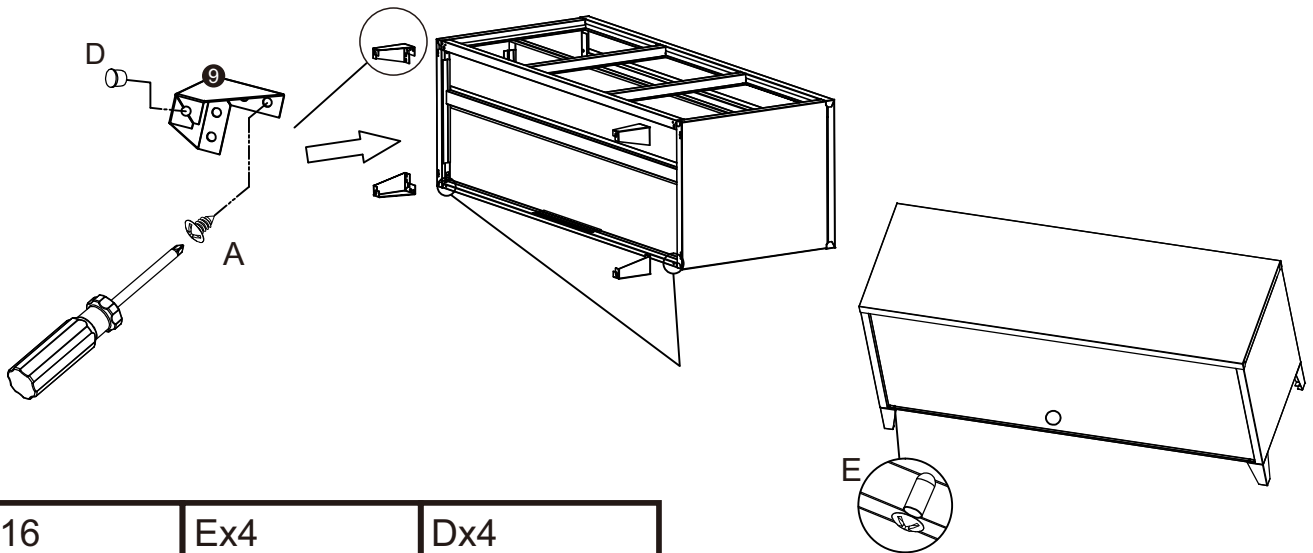
M5x12mm

Ex5

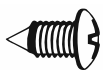


φ5.5x11.5mm

5



Ax16



M5x12mm

Ex4



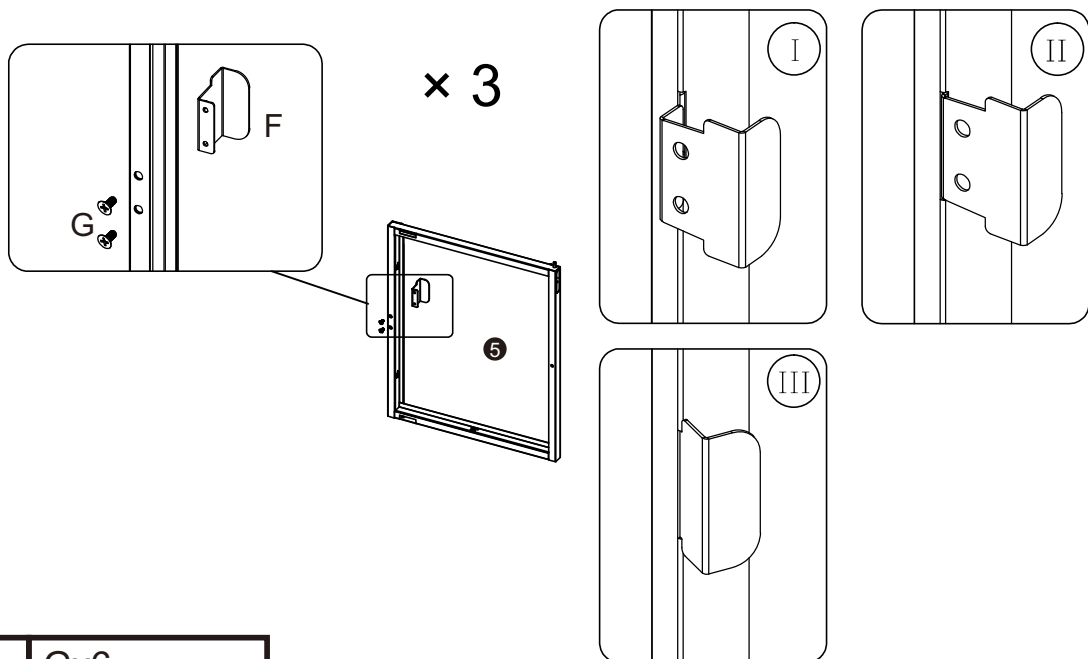
φ5.5x11.5mm

Dx4



φ11x3mm

6



Fx3



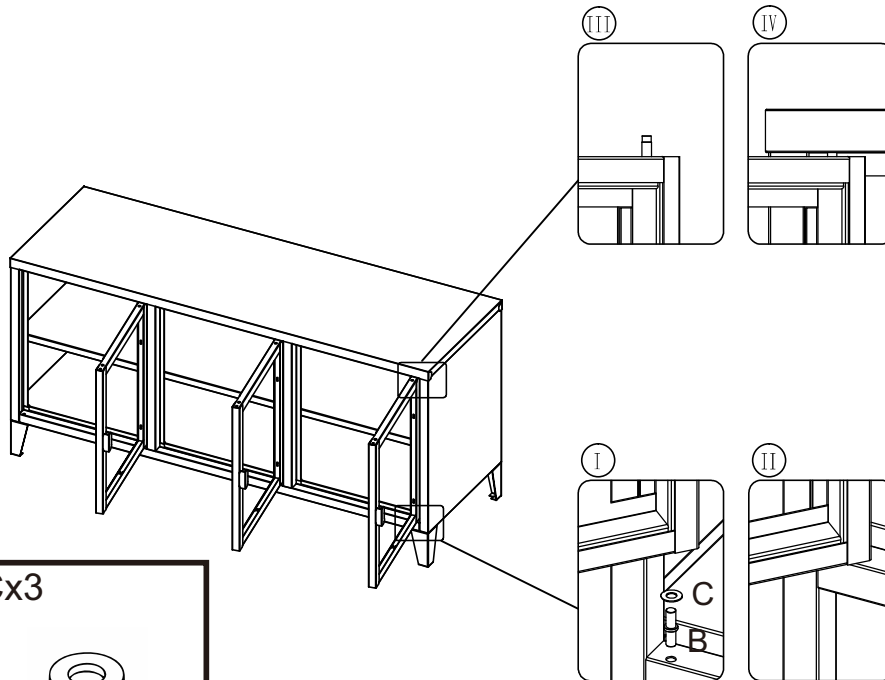
Gx6



M4x10mm

Art. Nr.
68890

7



Bx3



$\phi 4.8 \times 25 \text{mm}$

Cx3



$\phi 10 \times 2 \text{mm}$

8

