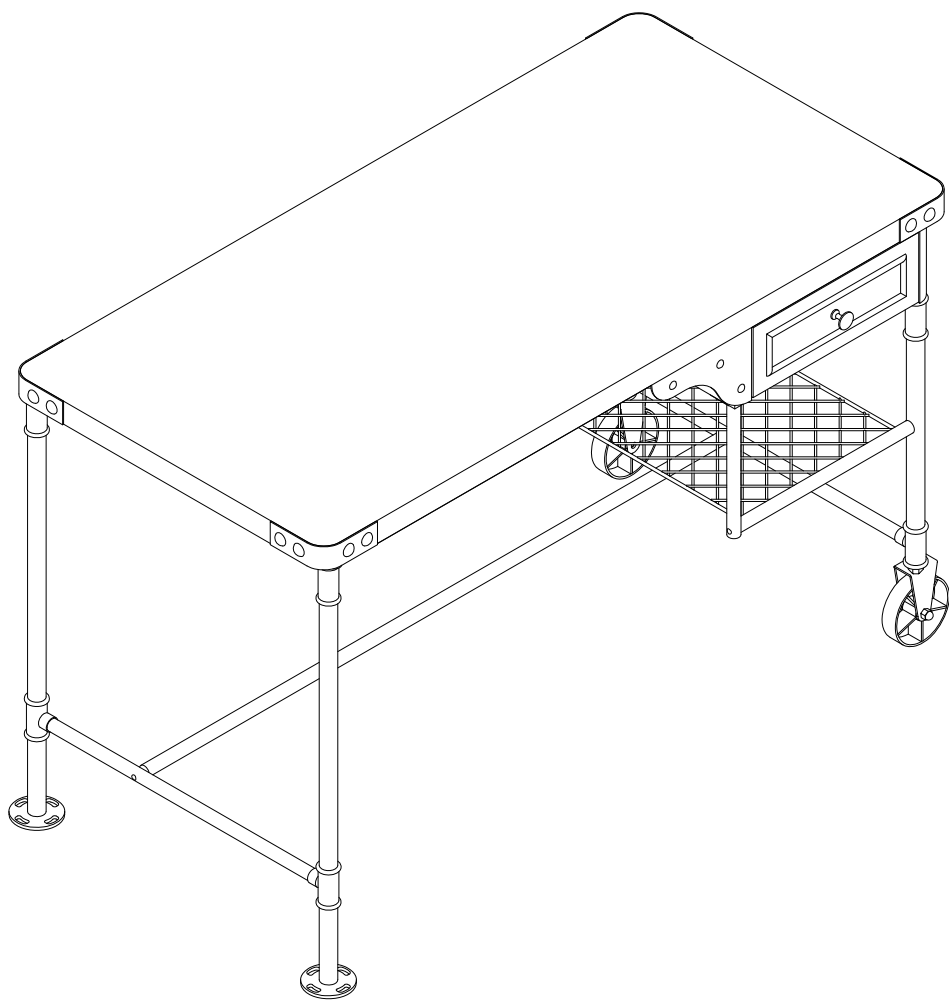
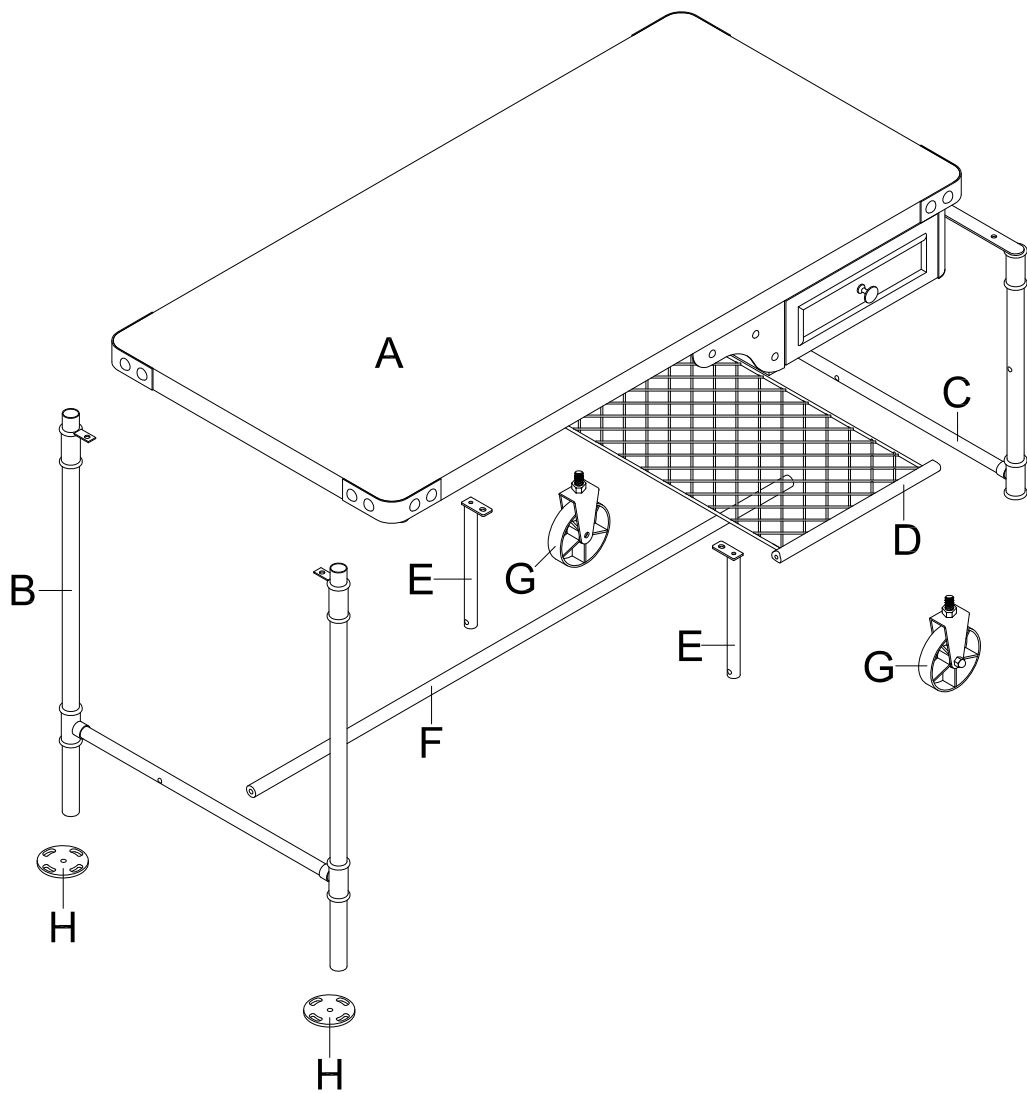


ASSEMBLY INSTRUCTIONS

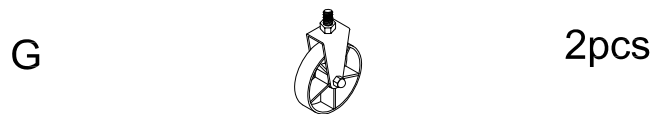
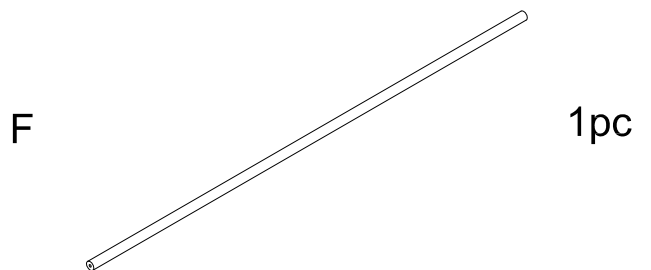
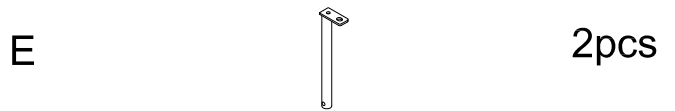
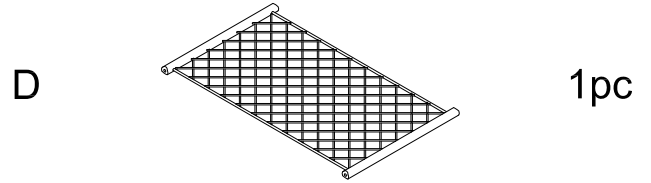
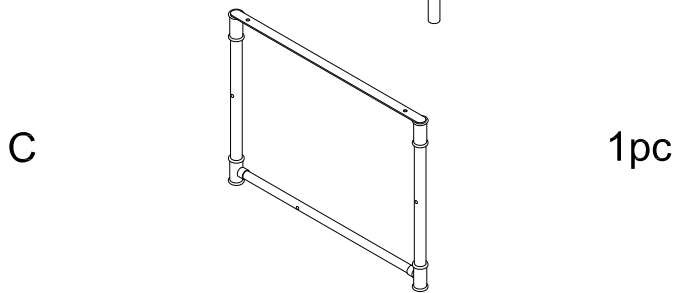
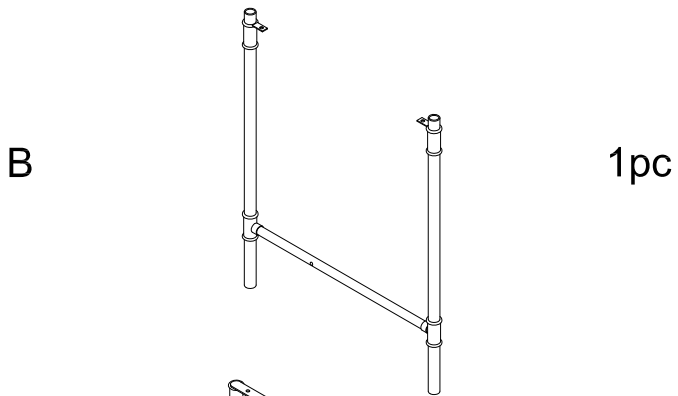
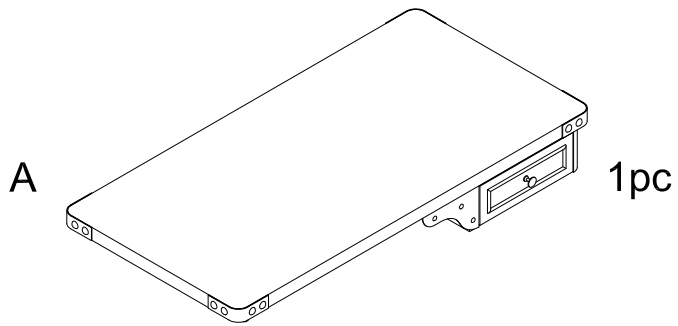
ITEM NO.:CAP1145



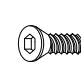
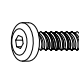
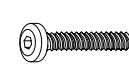
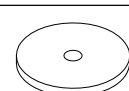
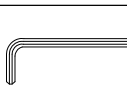
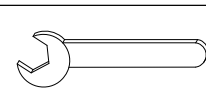
PARTS IDENTIFICATION

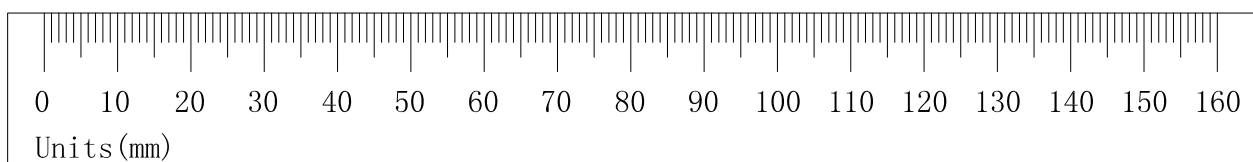


PARTS IDENTIFICATION



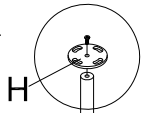
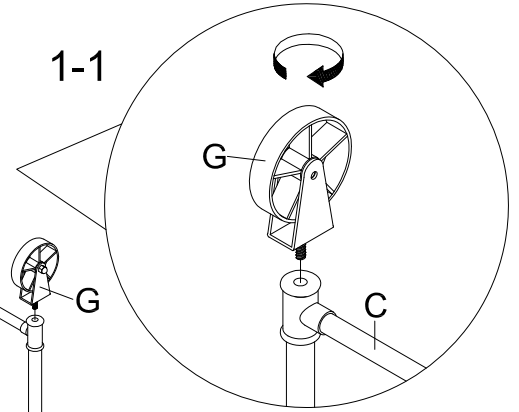
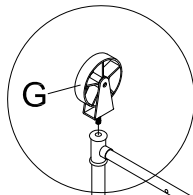
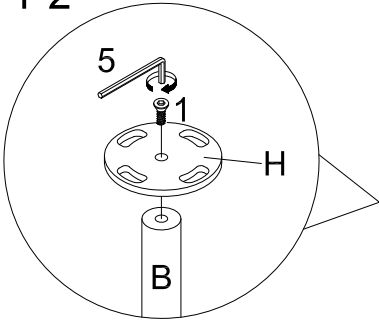
HARDWARE LIST

1		2pcs	2		6pcs	3		6pcs
M6x15			M6x15			M6x35		
4		2pcs	5		1pc	6		1pc
Ø40			4x4					

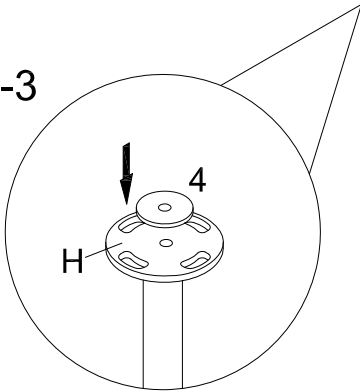



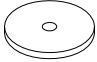
STEP 1.

1-2



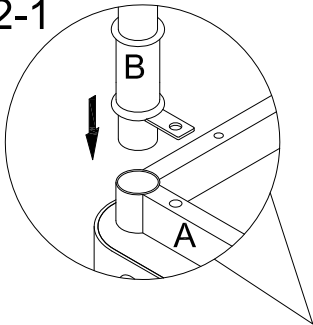
1-3



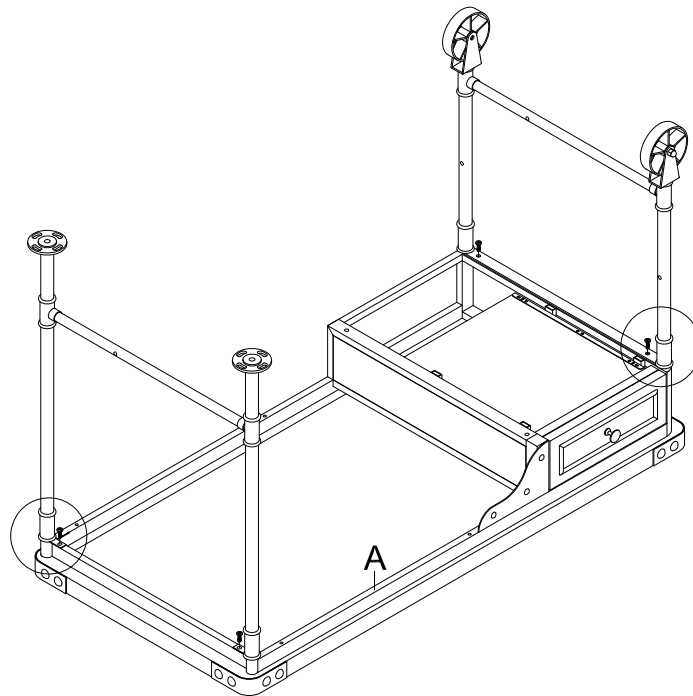
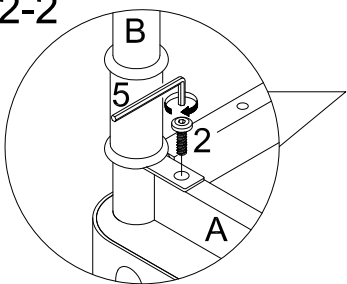
1		2pcs
M6x15		
4		2pcs
Ø40		

STEP 2.

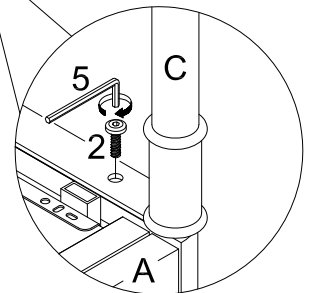
2-1




2-2

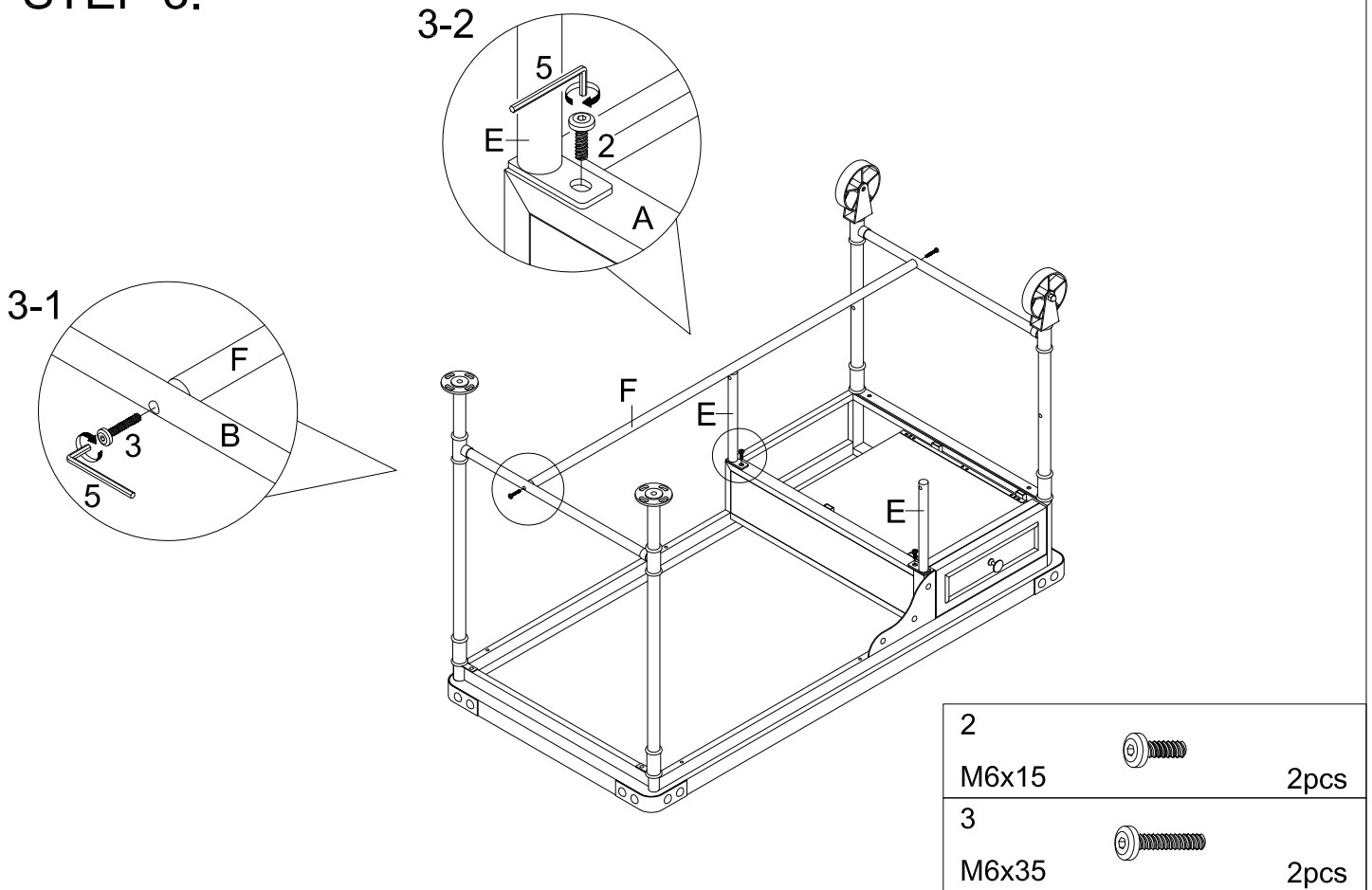


2-3

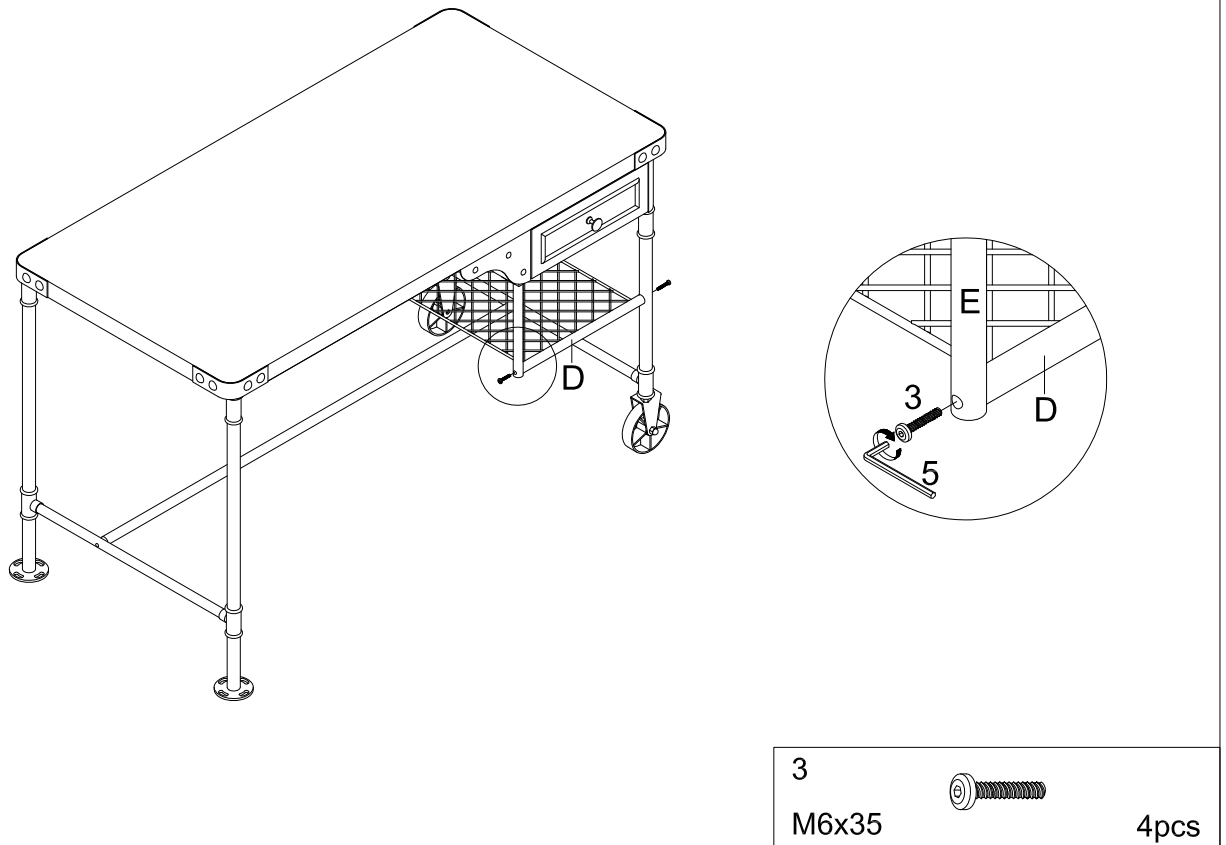


2		4pcs
M6x15		

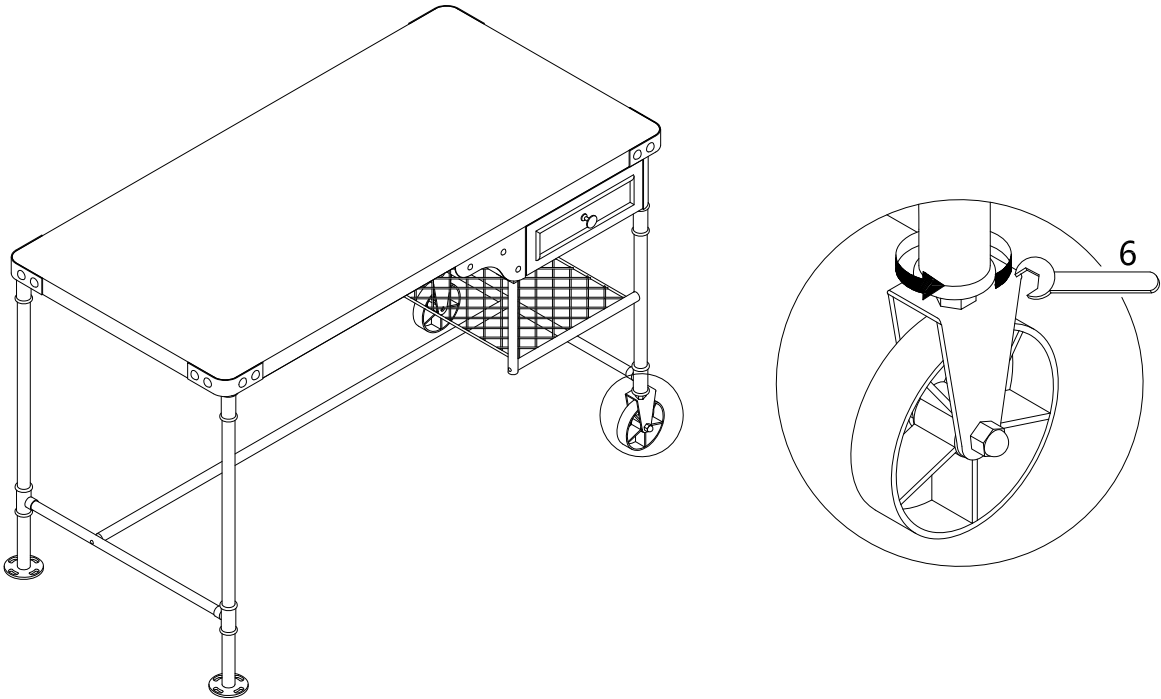
STEP 3.



STEP 4.



STEP 5.



STEP 6.

