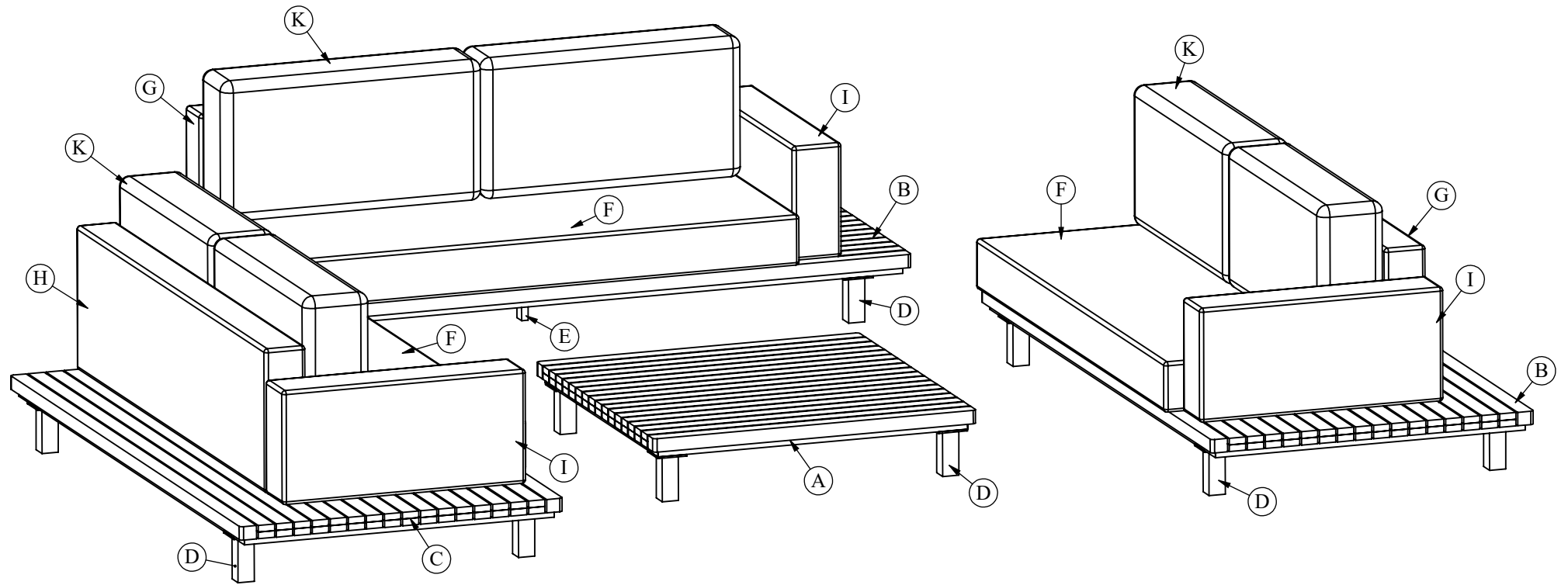
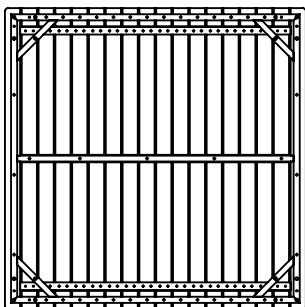


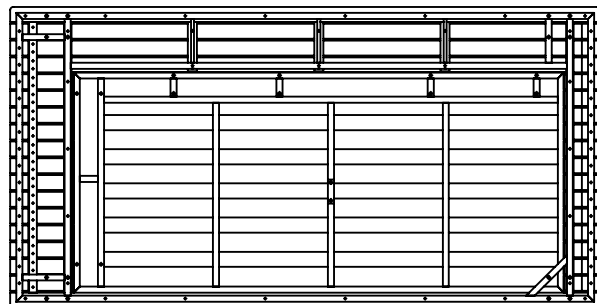
# ASSEMBLY INSTRUCTION 24590042/01



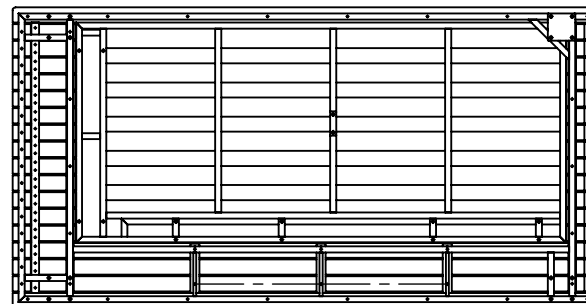
A x 1



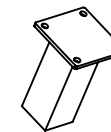
B x 2



C x 1



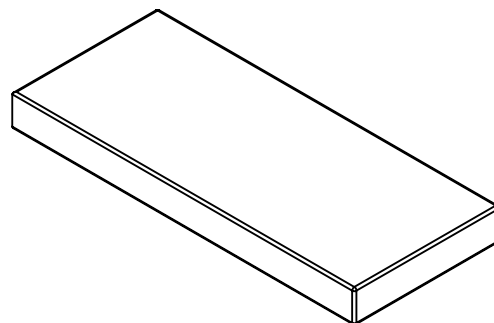
D x 16



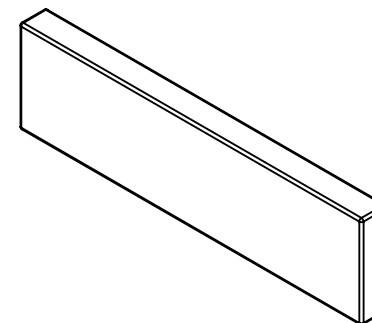
E x 3



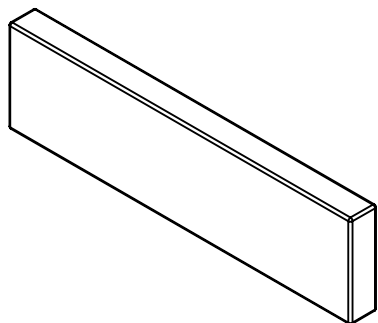
F x 3



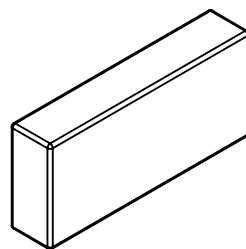
G x 2



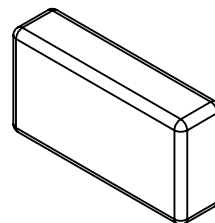
H x 1







I x 3

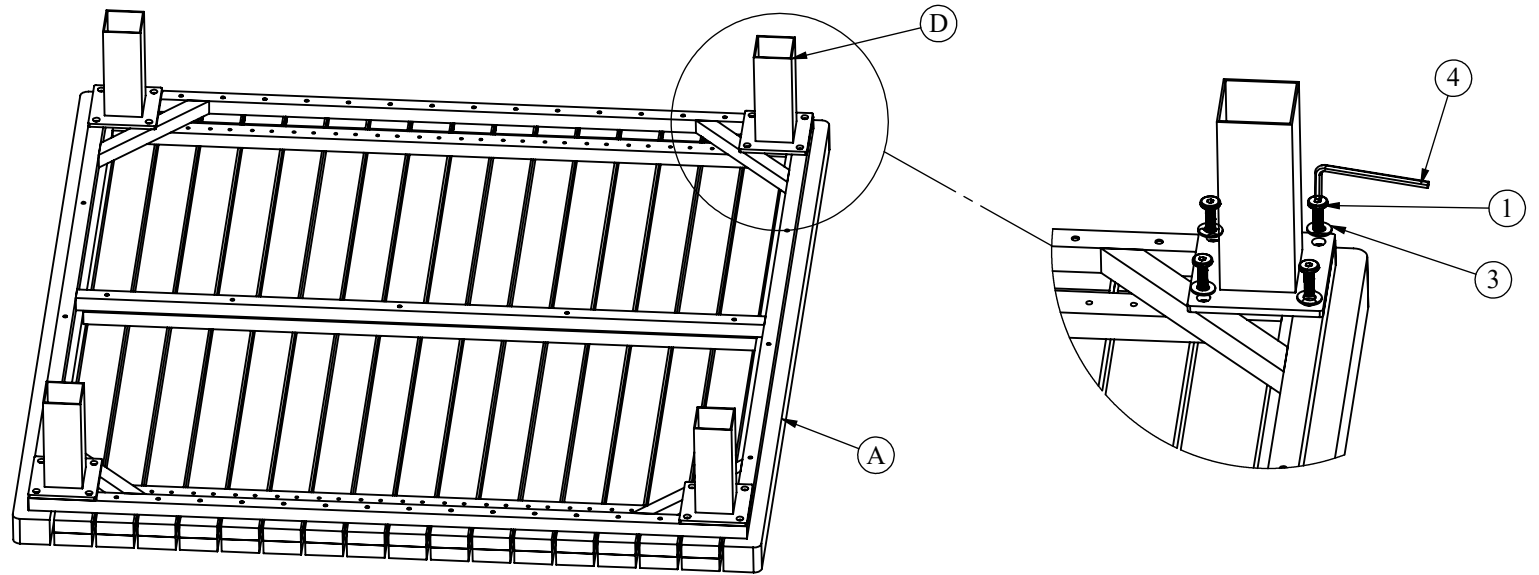


K x 6

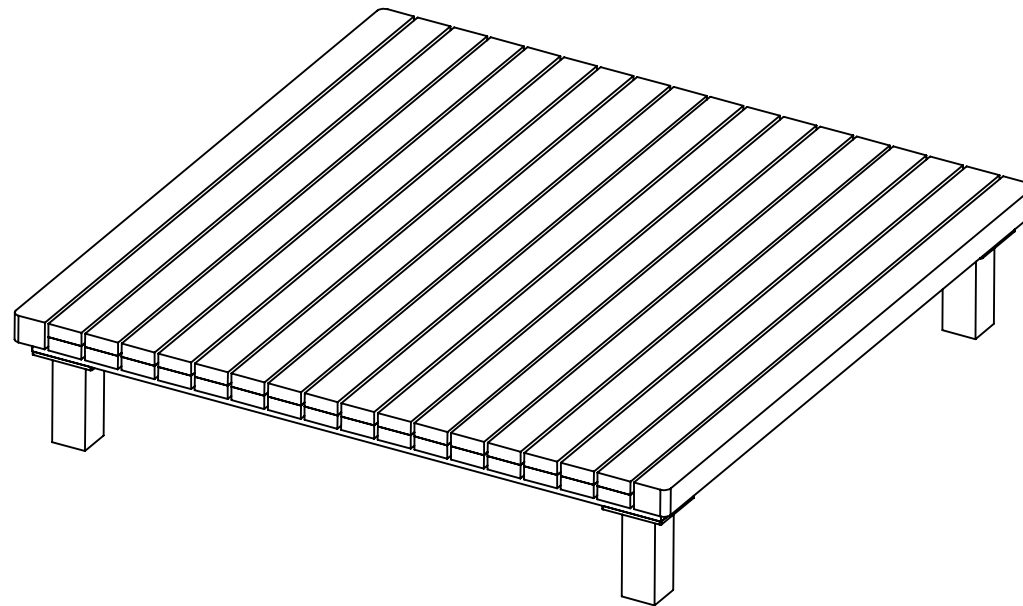


No	Part Image	Part Name	Q.ty
1		Screw M6 x 20	70
2		Screw M6 x 35	36
3		Washer M6	106
4		Allenkey	1

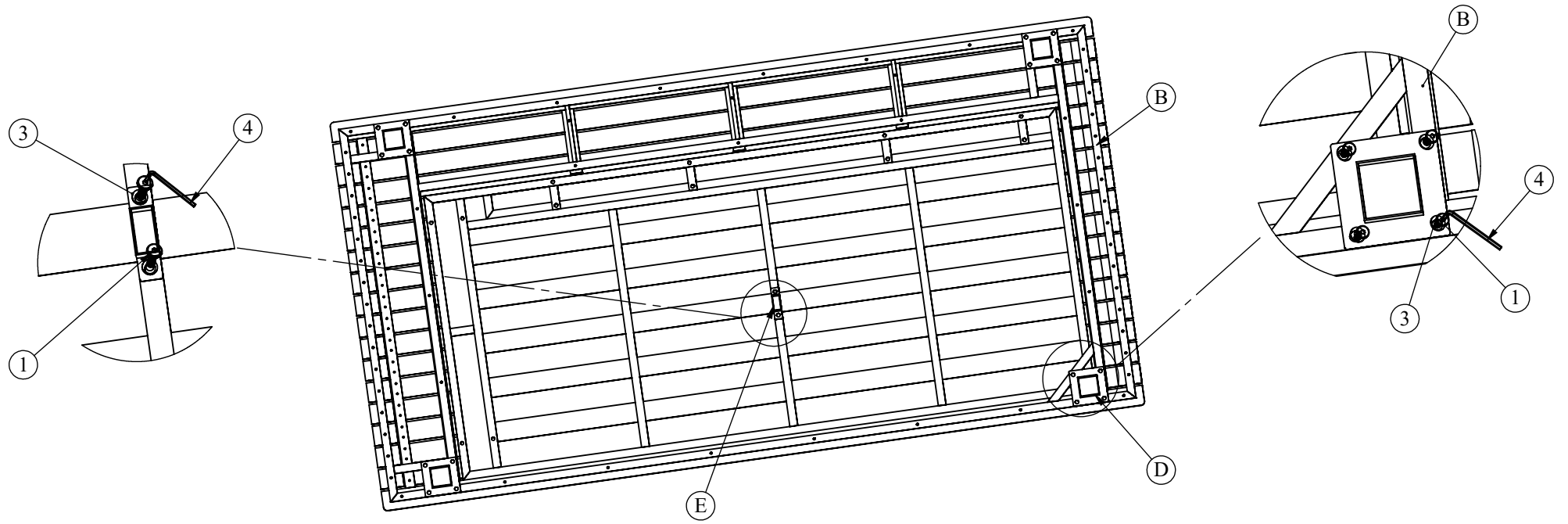
Step 1



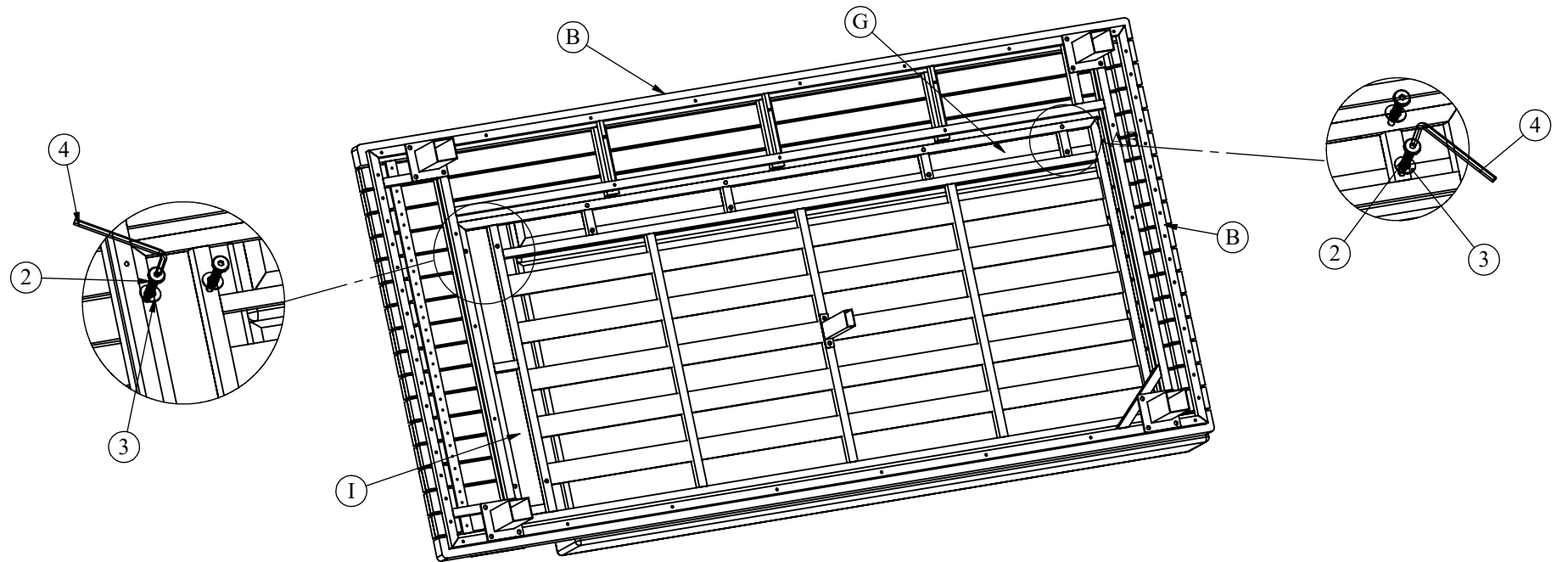
Step 2



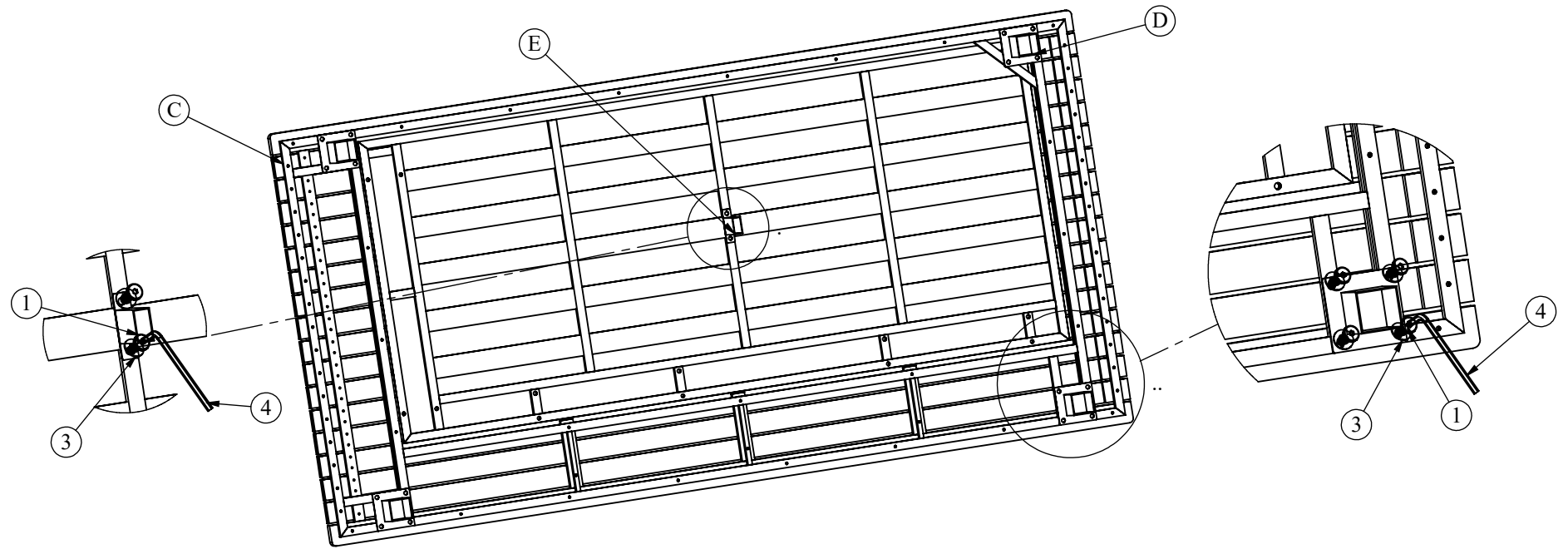
Step 3



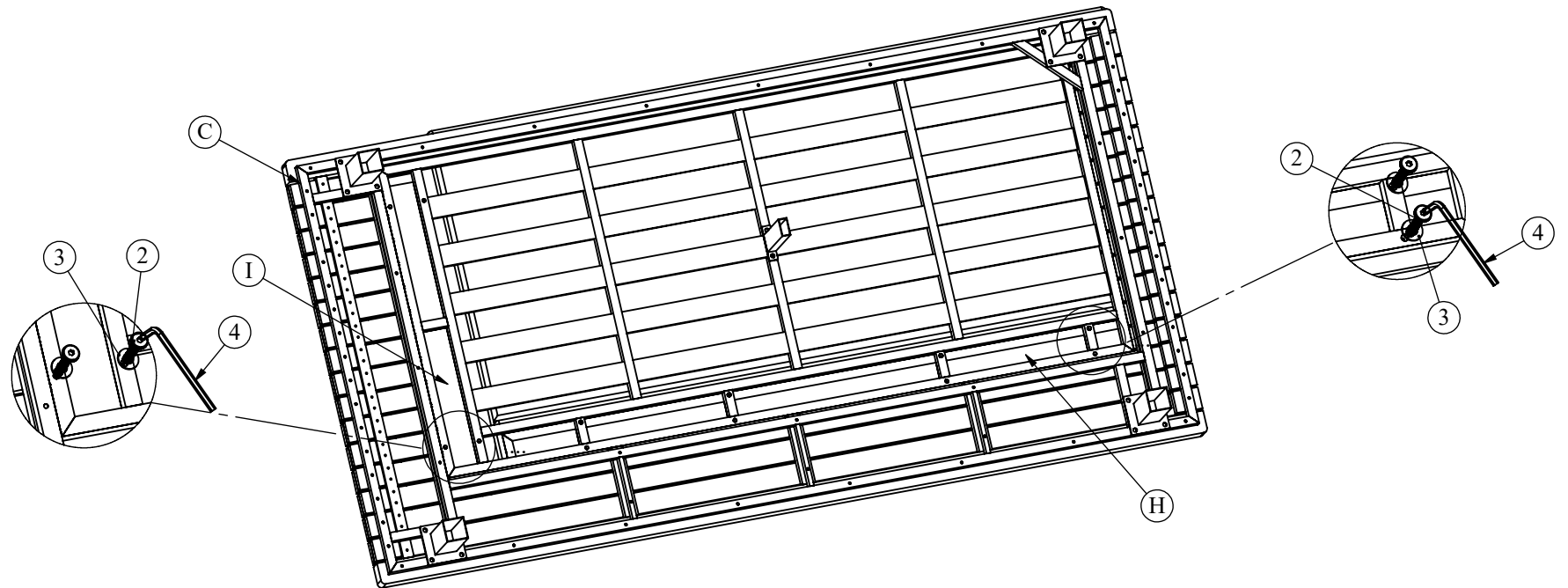
Step 4



Step 5



Step 6



Finish

