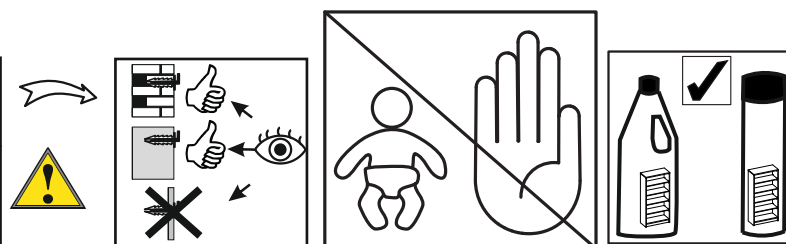
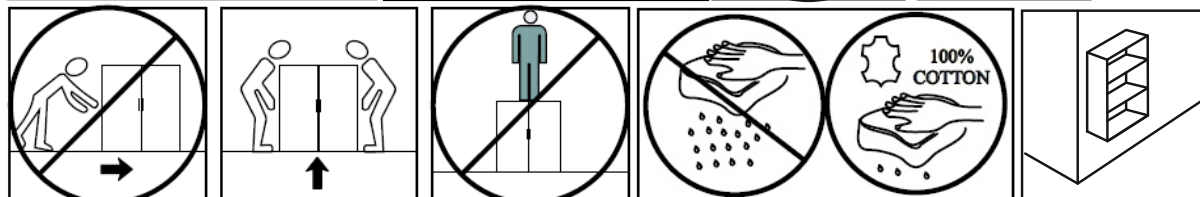
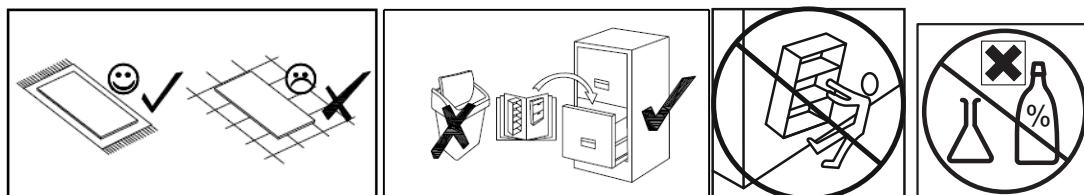
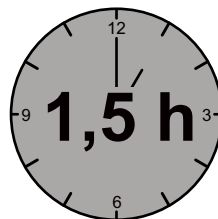
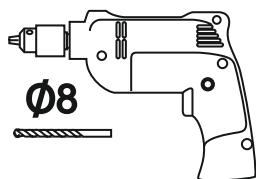
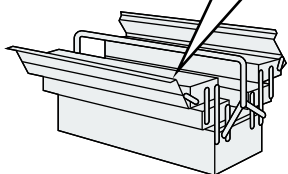
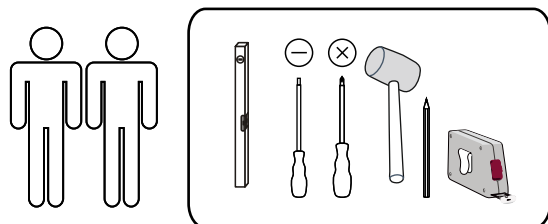
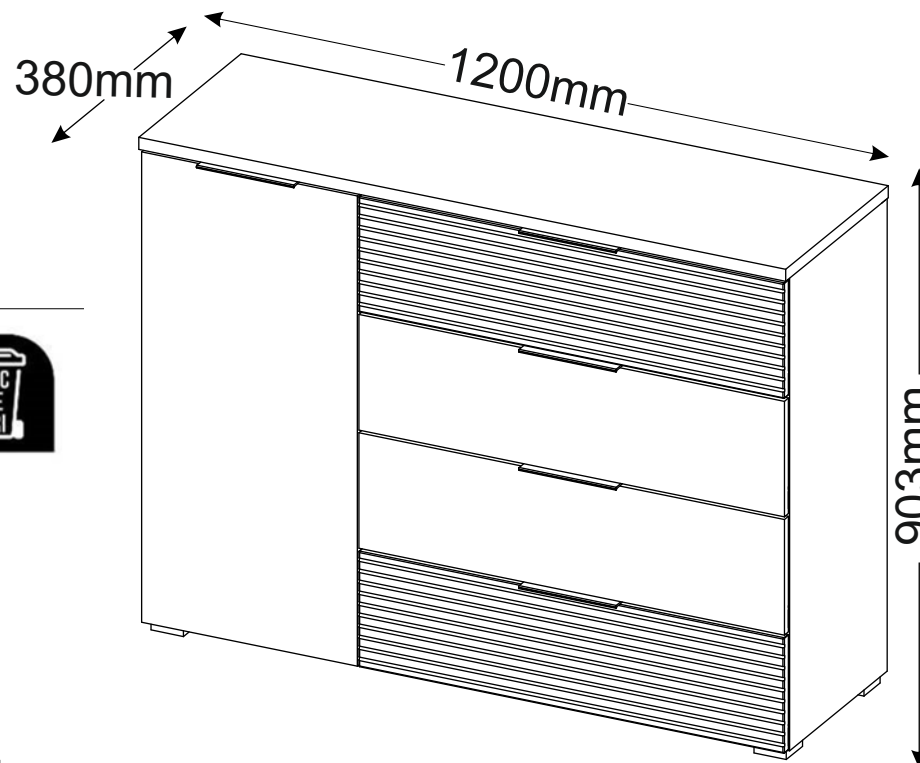
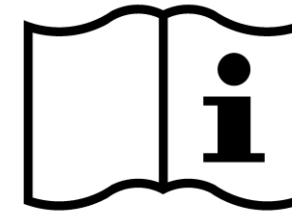
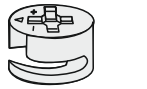
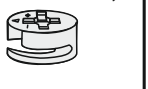
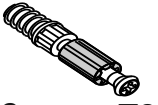

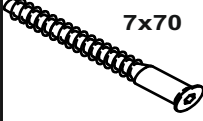


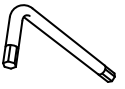


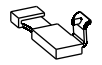
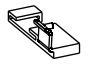
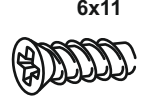


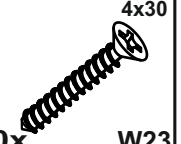


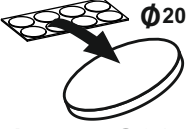
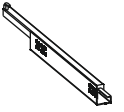
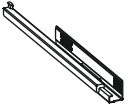

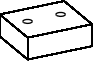

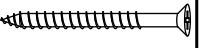



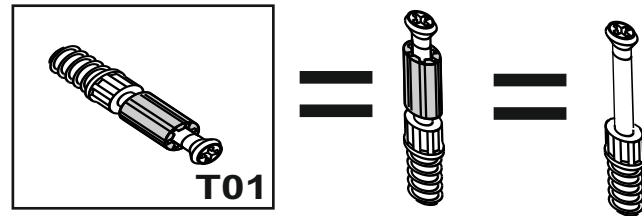
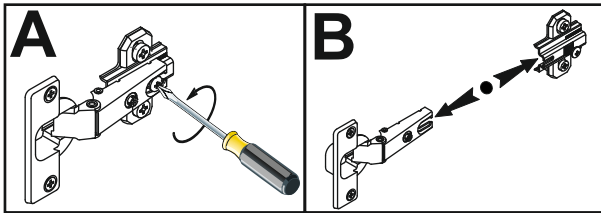


info@bega-consult.de



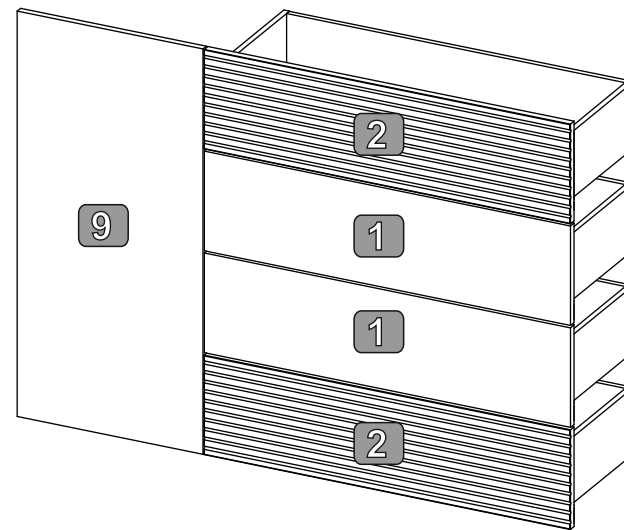
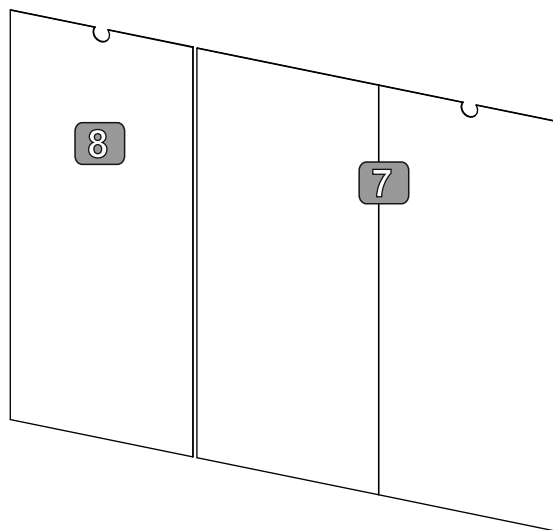
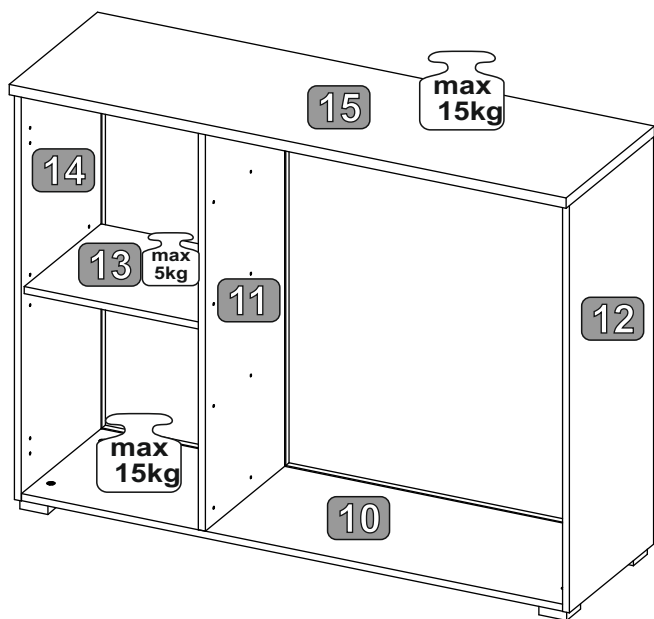
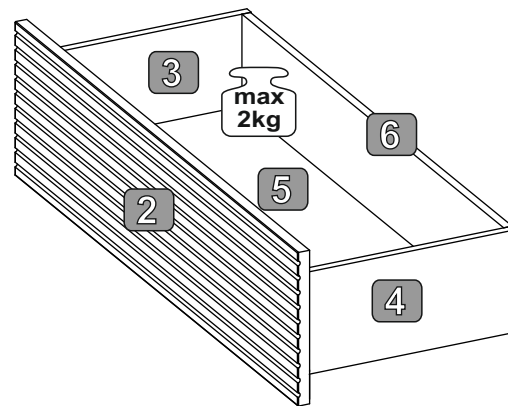
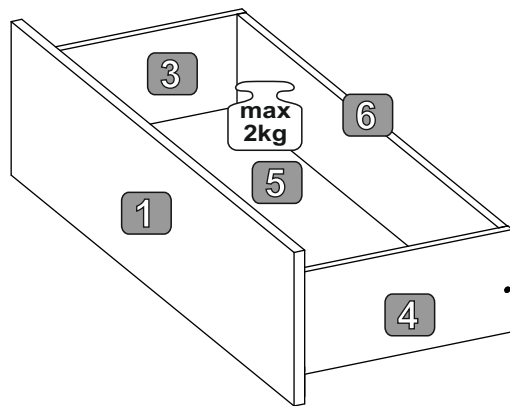
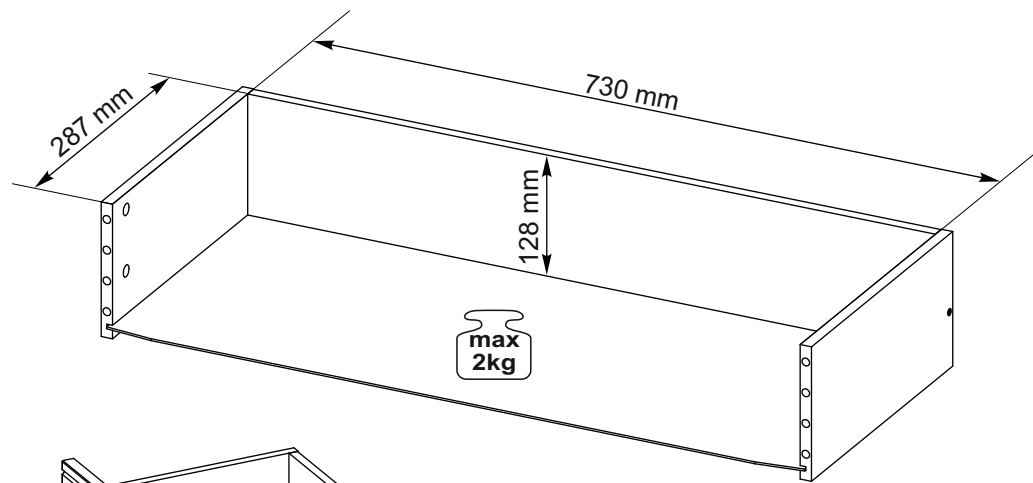
 10x T02	 16x T12	 26x T01	 44x D01	 2x W70	 1x K01	 8x W16	 1x K02	 2x Z32Z04	 4x W30
 4x B12L	 4x B12R	 16x W12	 10x W32	 24x W02	 10x W23	 4x E01	 30x R01	 4x C02a	
 4x P05L	 4x P05R	 4x Ws1	 5x S06	 2x F01	 2x F11	 2x F13	 4x W07	 5x U73	




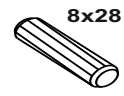
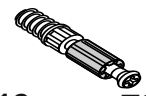
0 10 20 30 40 50 60 70 80 90 100 110 120 130 140 150 160 170 180 190 200

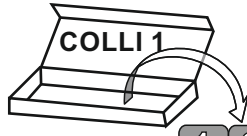


NR	DIM	QTE	COLLI
1	789x210x15	2	1/2
2	789x210x16,5	2	1/2
3	300x140x12	4	1/2
4	300x140x12	4	1/2
5	741x300x2	4	1/2
6	730x140x12	4	1/2
7	864x783x4	1	1/2
8	864x393x2	1	1/2
9	855x400x15	1	1/2
10	1166x361x15	1	2/2
11	846x361x15	1	2/2
12	861x362x15	1	2/2
13	381x330x15	1	2/2
14	861x362x15	1	2/2
15	1200x380x22	1	2/2



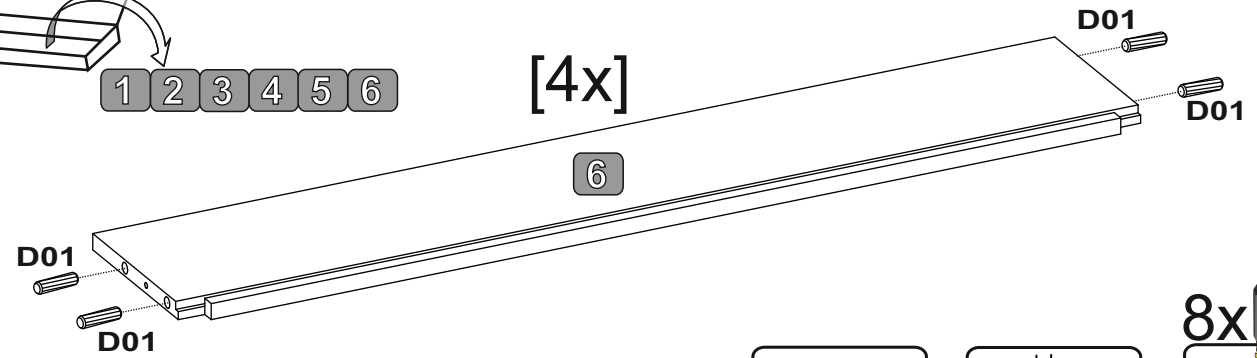
1

 12x9,5 16x T12	 8x28 32x D01	 16x T01
--	--	--

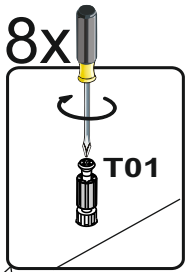
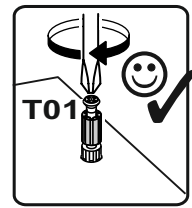
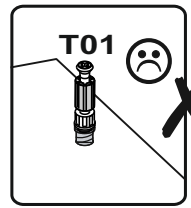
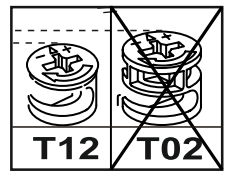
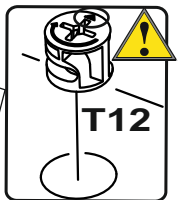
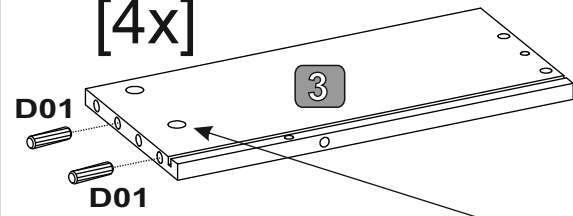


1 2 3 4 5 6

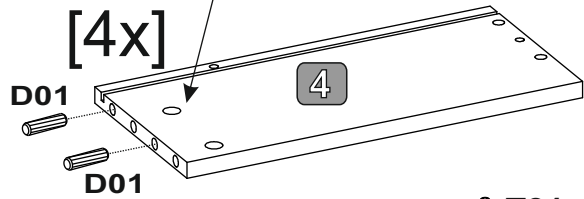
[4x]



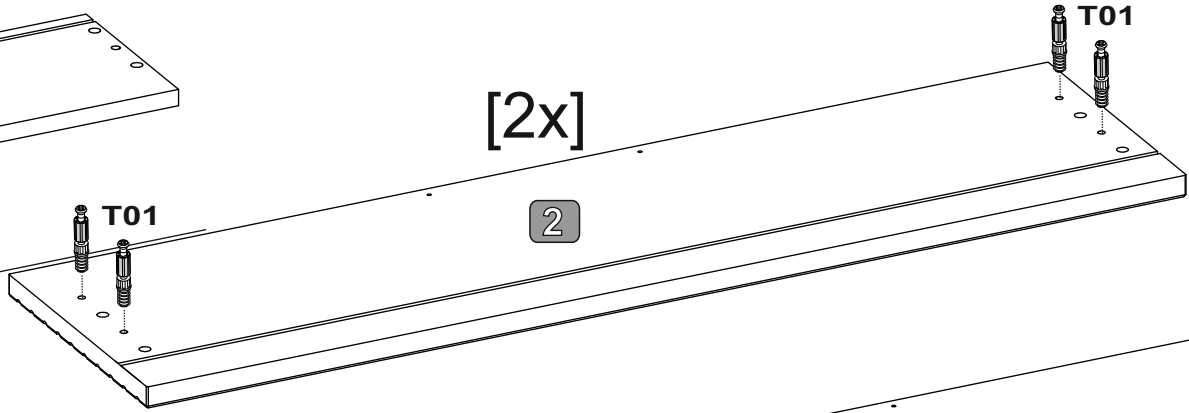
[4x]



[4x]

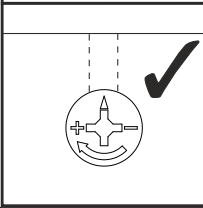
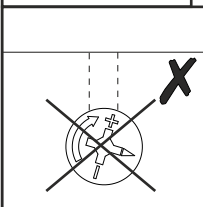
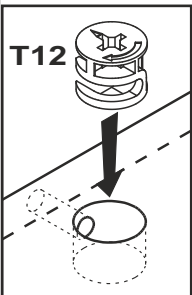
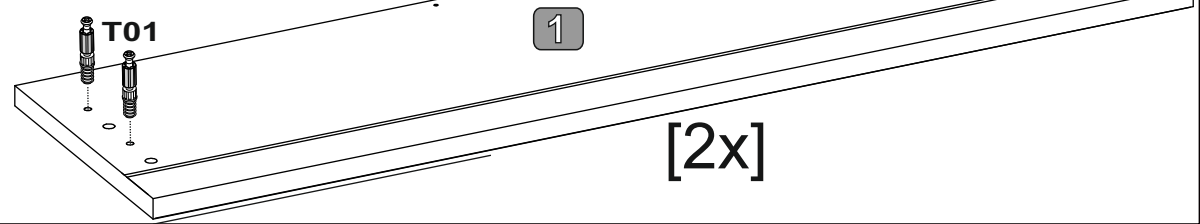


[2x]








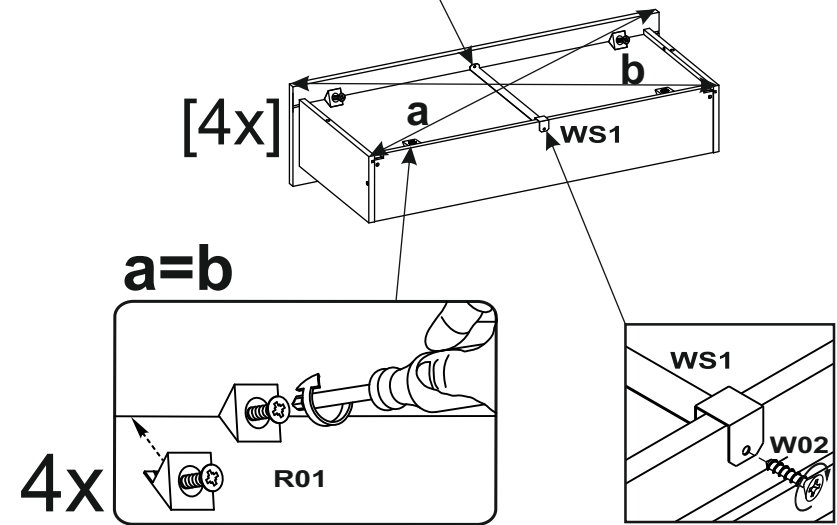
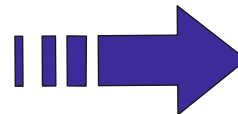
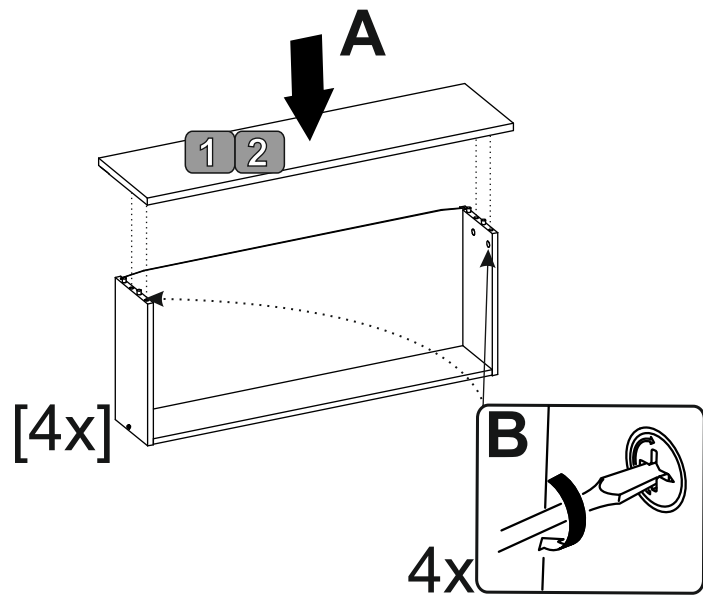
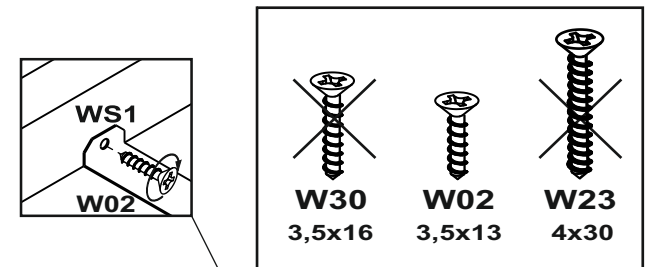
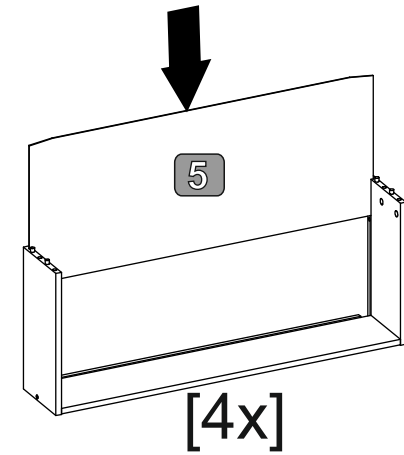
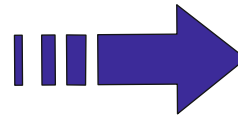
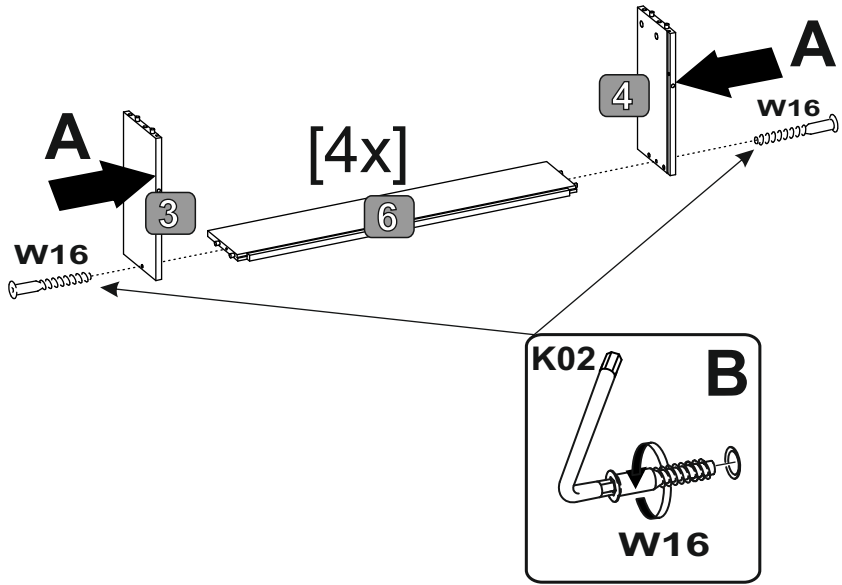
1

[2x]



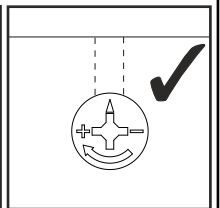
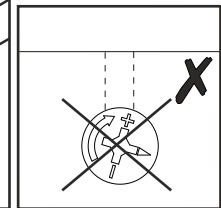
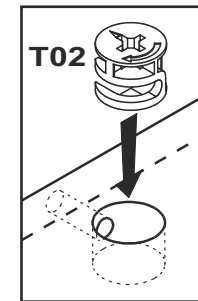
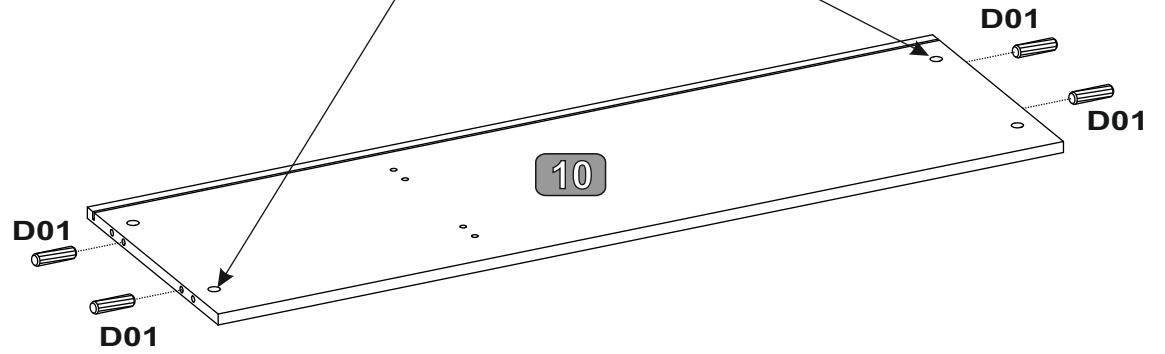
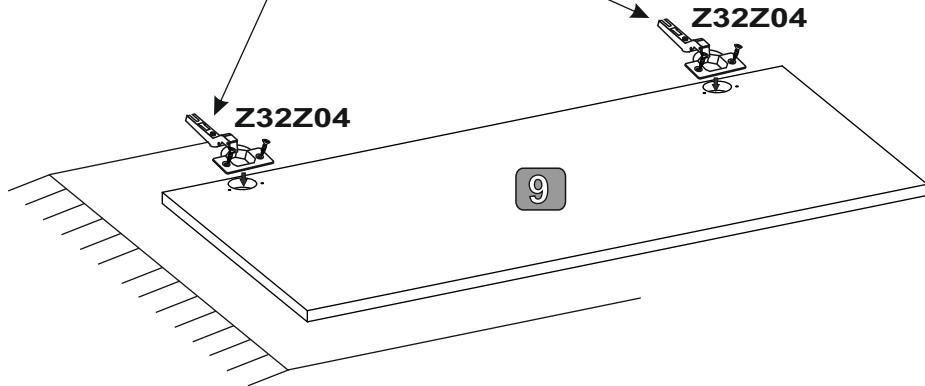
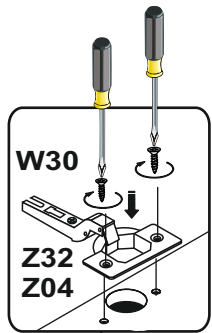
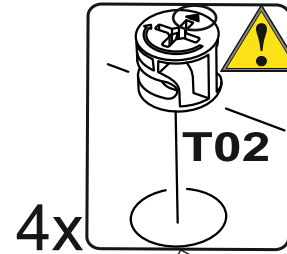
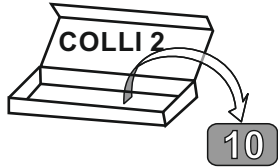
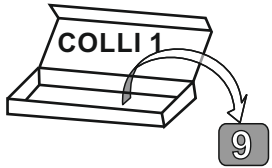
2

 5x40 8x W16	 L3 1x K02	 16x R01	 4x WS1	 3,5x13 8x W02
---	---	--	---	---



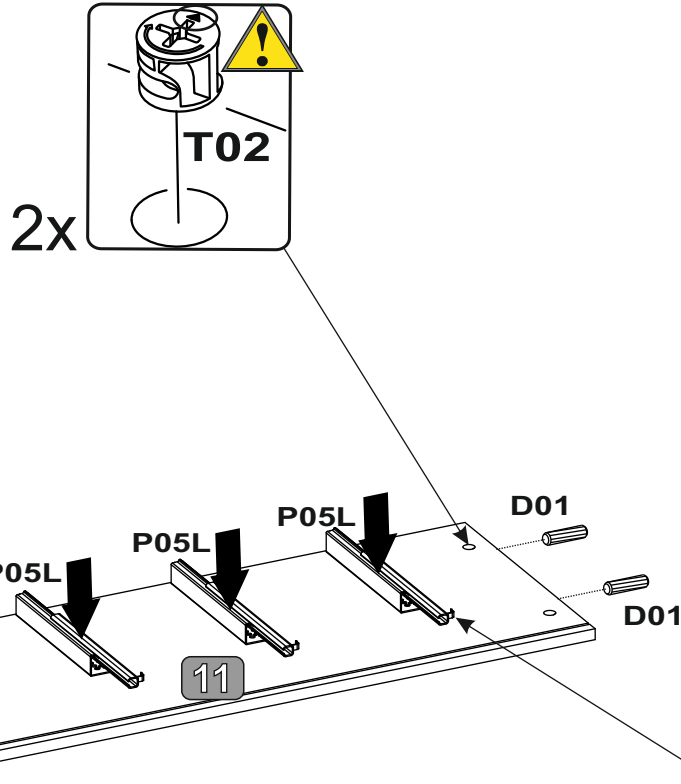
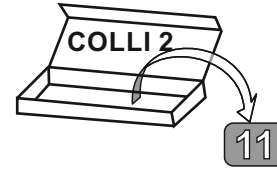
3

15x12 4x T02	8x28 4x D01	3,5x16 4x W30	Φ35 KR-0 2x Z32Z04
--------------------	-------------------	---------------------	--------------------------

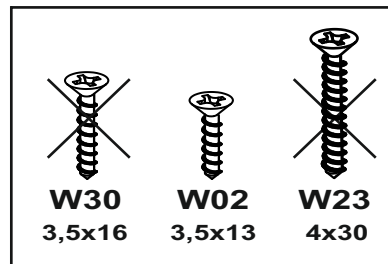
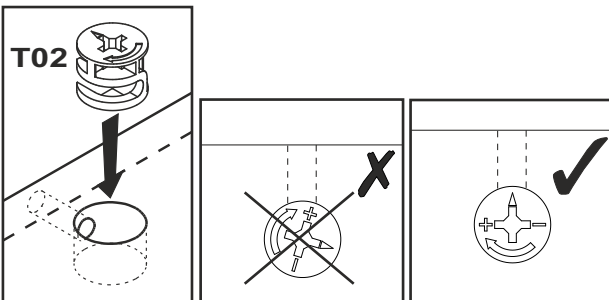
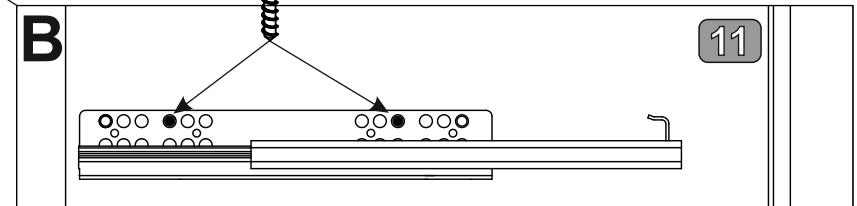
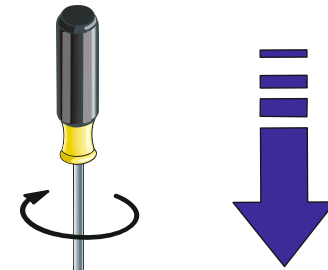
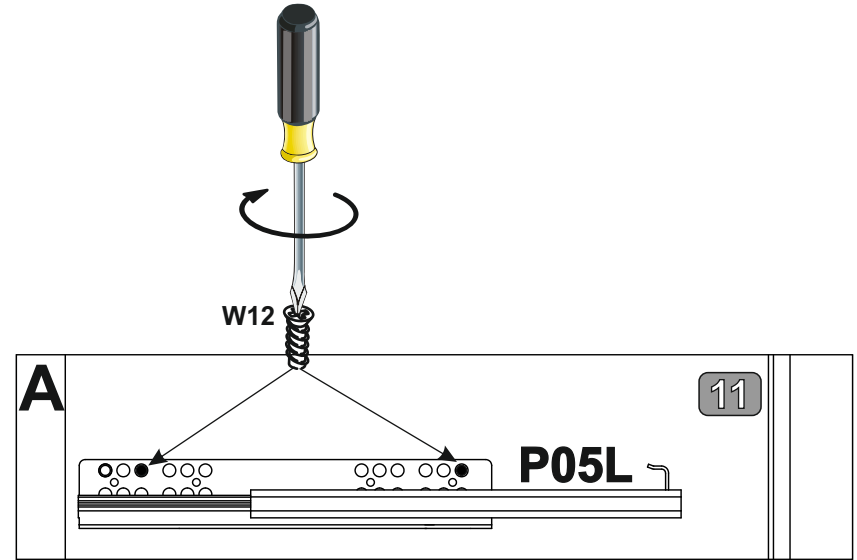


4

4x	8x28 D01	2x	15x12 T02	4x	P05L	8x	6x11 W12	8x	3,5x13 W02
----	-------------	----	--------------	----	------	----	-------------	----	---------------

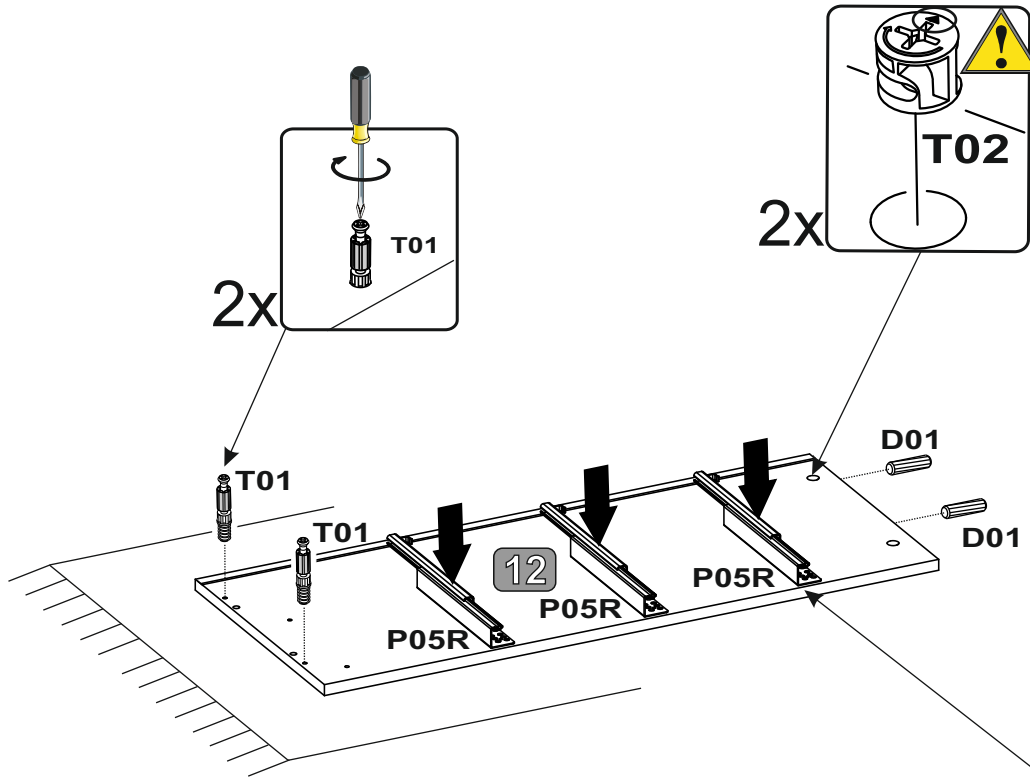
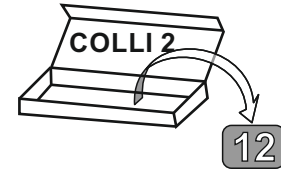


4x

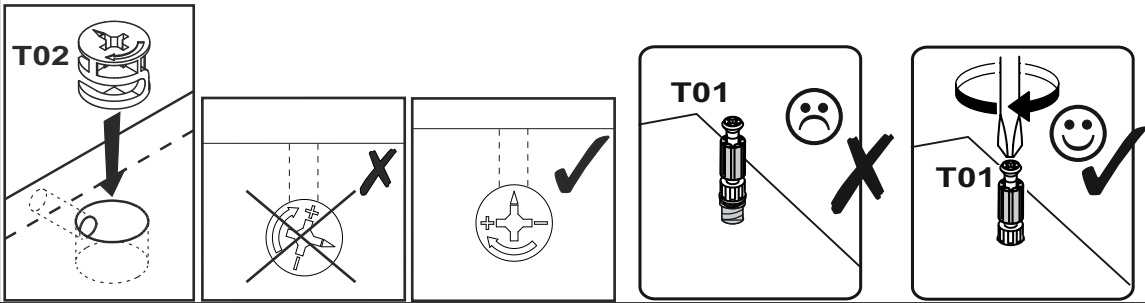
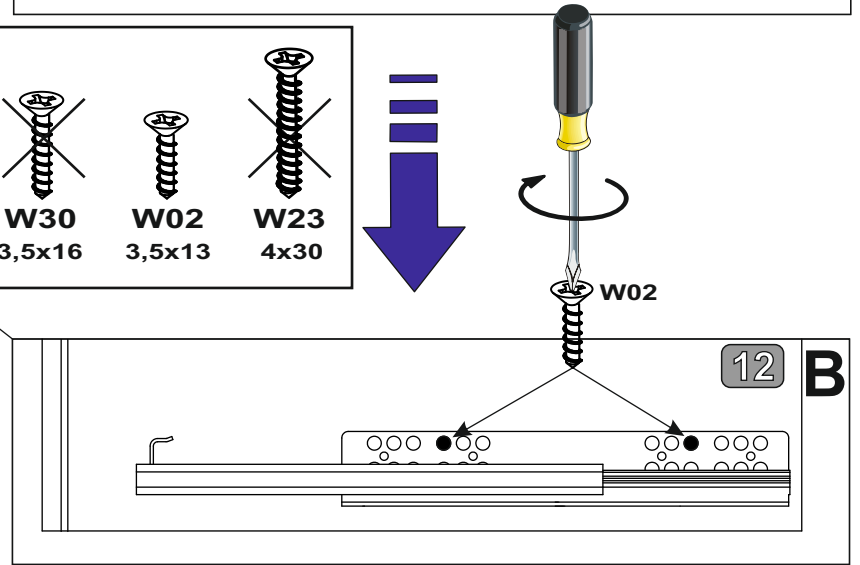
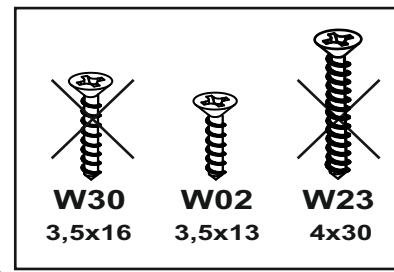
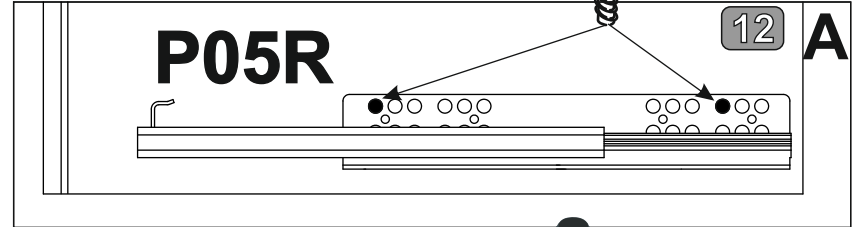


5

- 8x28 2x D01
- 15x12 2x T02
- 3x P05R
- 6x11 6x W12
- 3,5x13 6x W02
- 2x T01

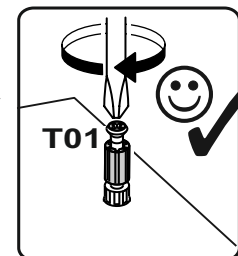
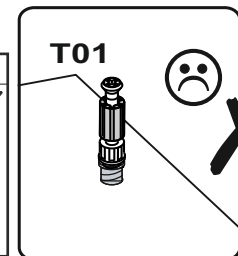
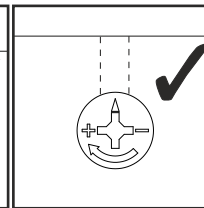
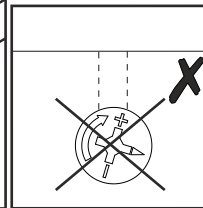
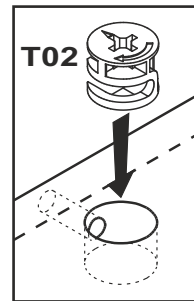
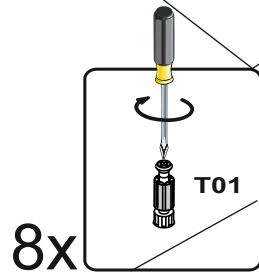
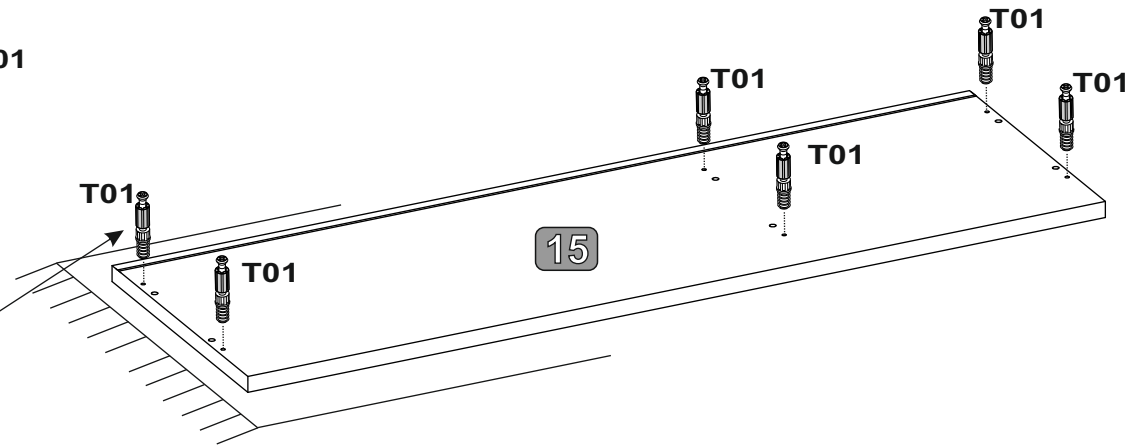
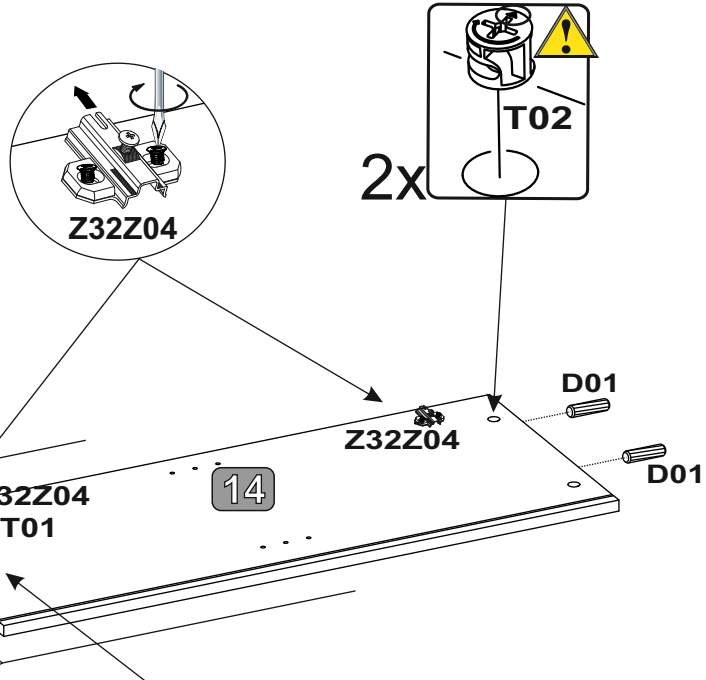
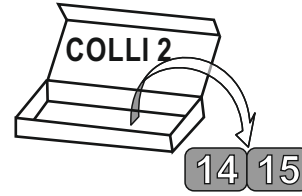


3x

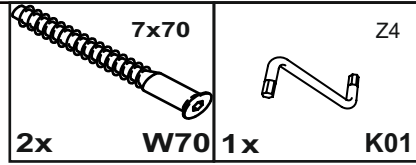


6

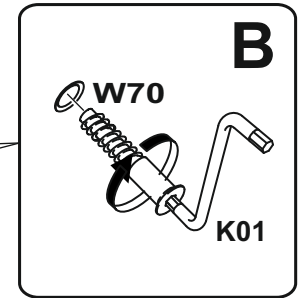
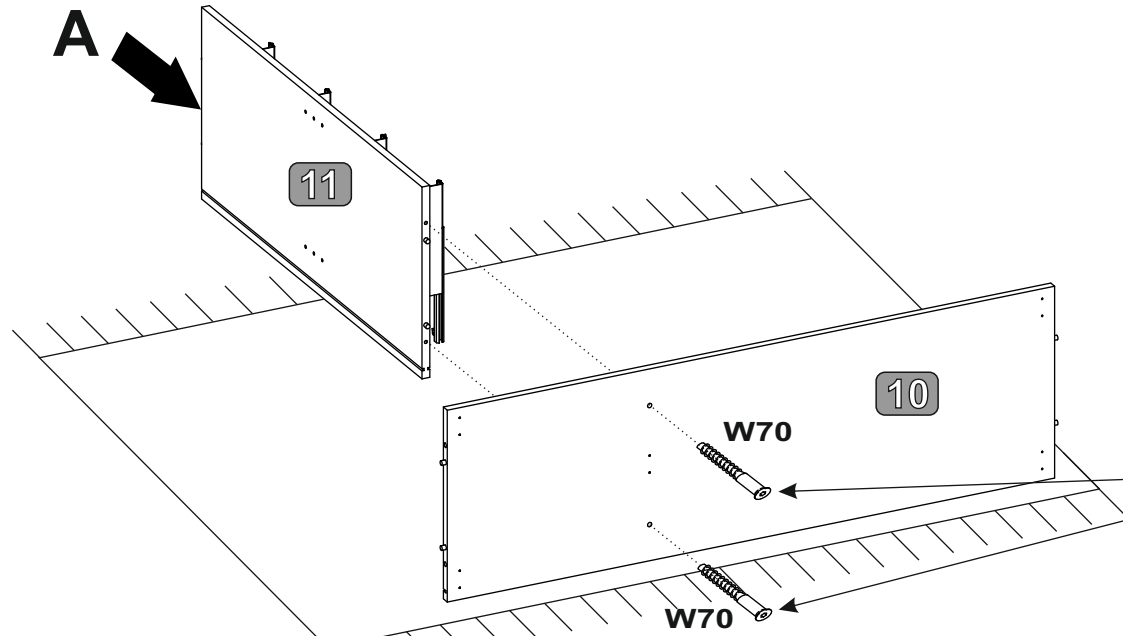
- 2x Z32Z04
- 2x 15x12 T02
- 8x T01
- 2x 8x28 D01



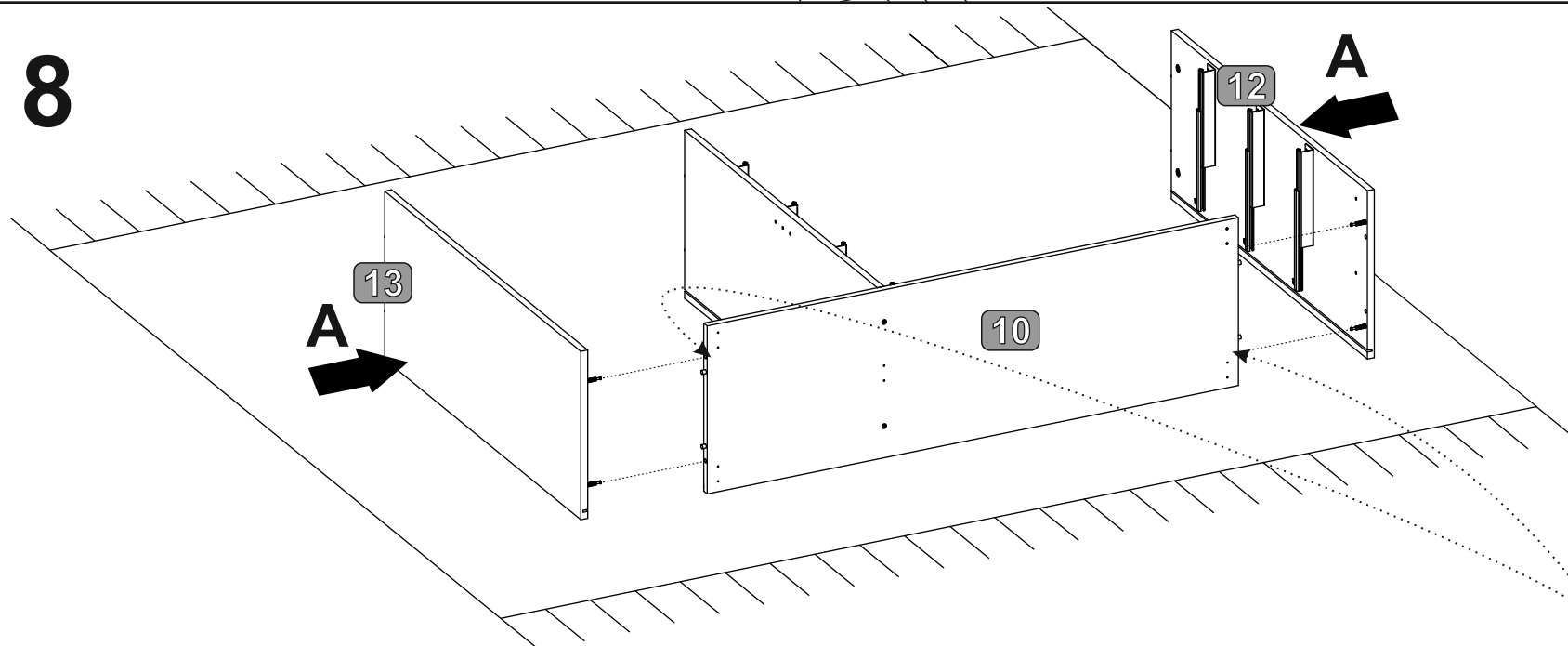
7



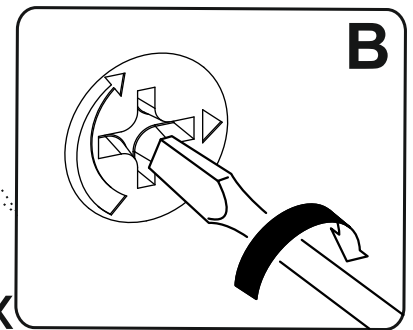
A



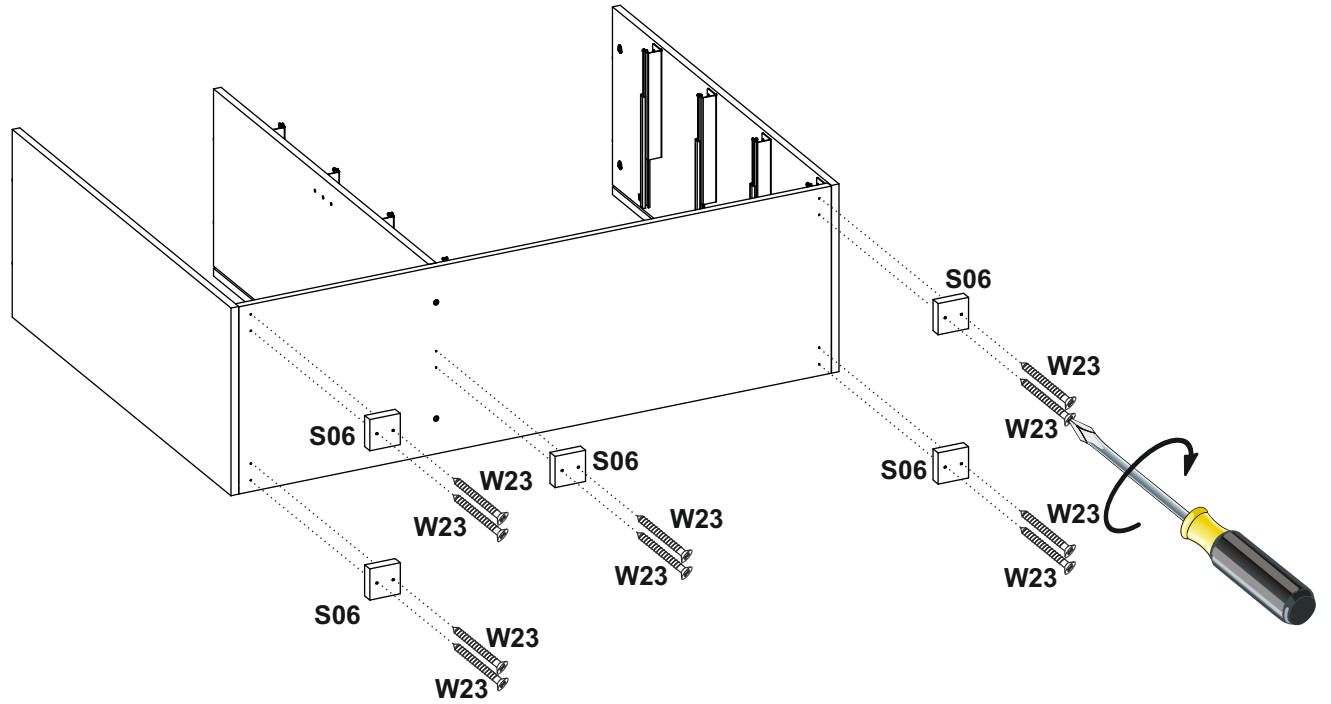
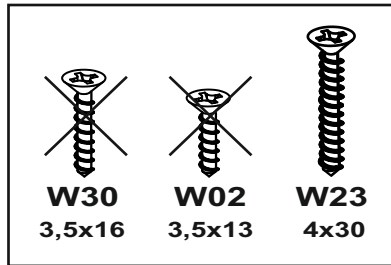
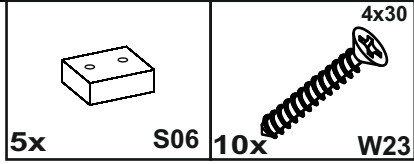
8



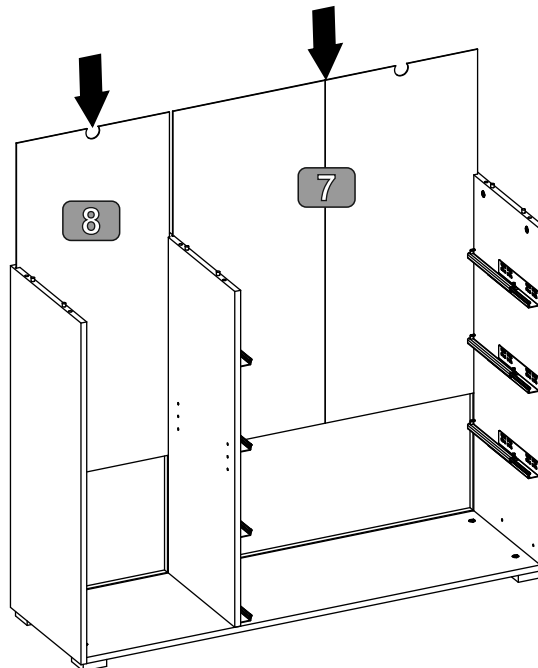
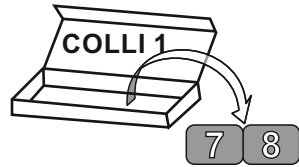
4x



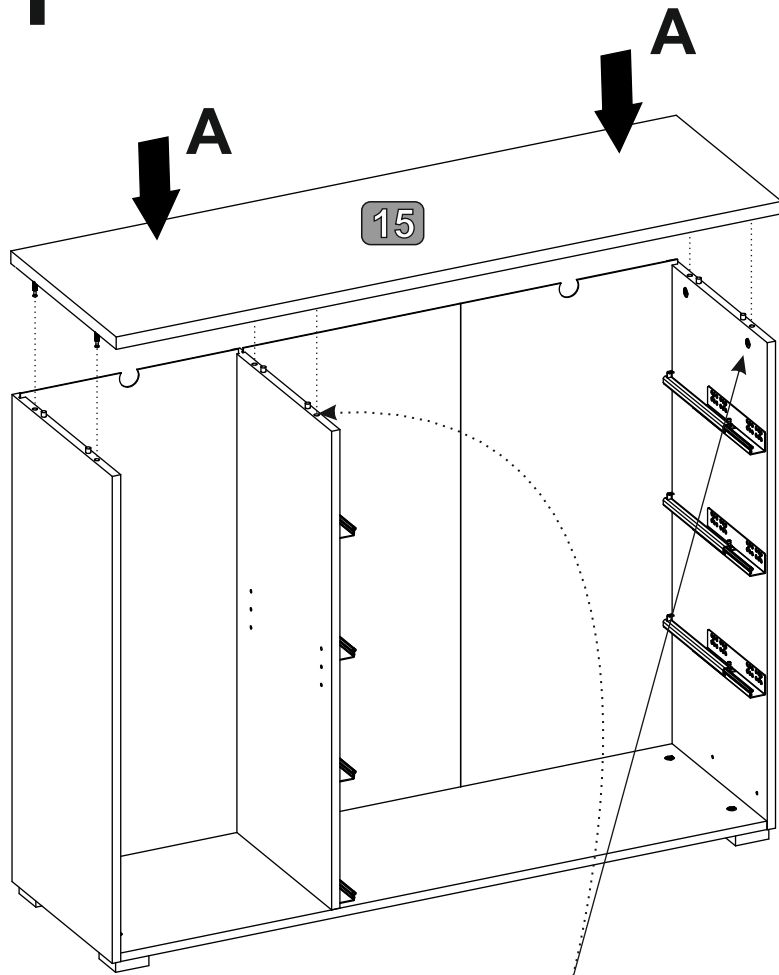
9



10



11

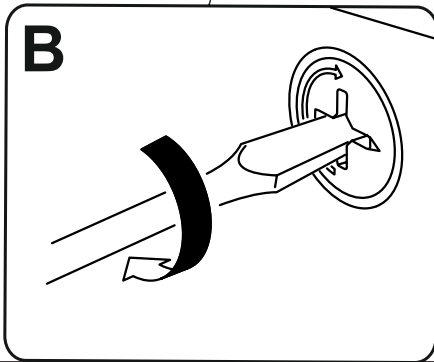


15

A

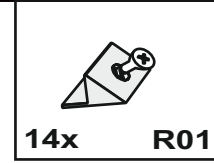
A

6x



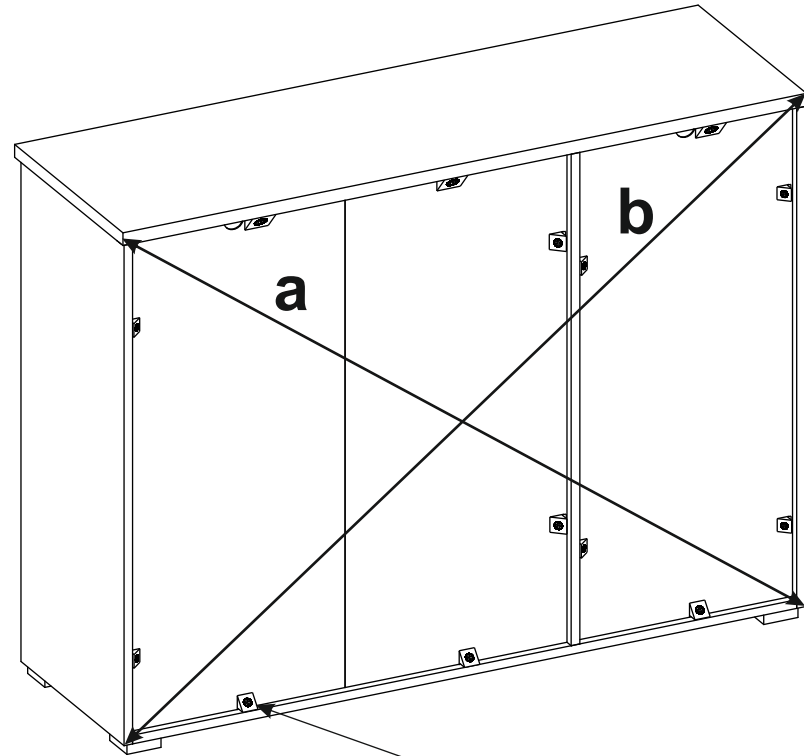
B

12



14x

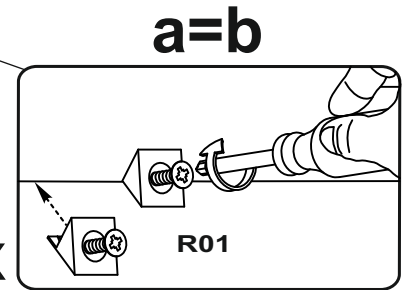
R01



a

b


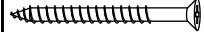


14x

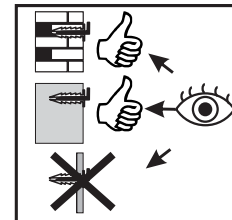
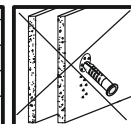
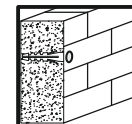
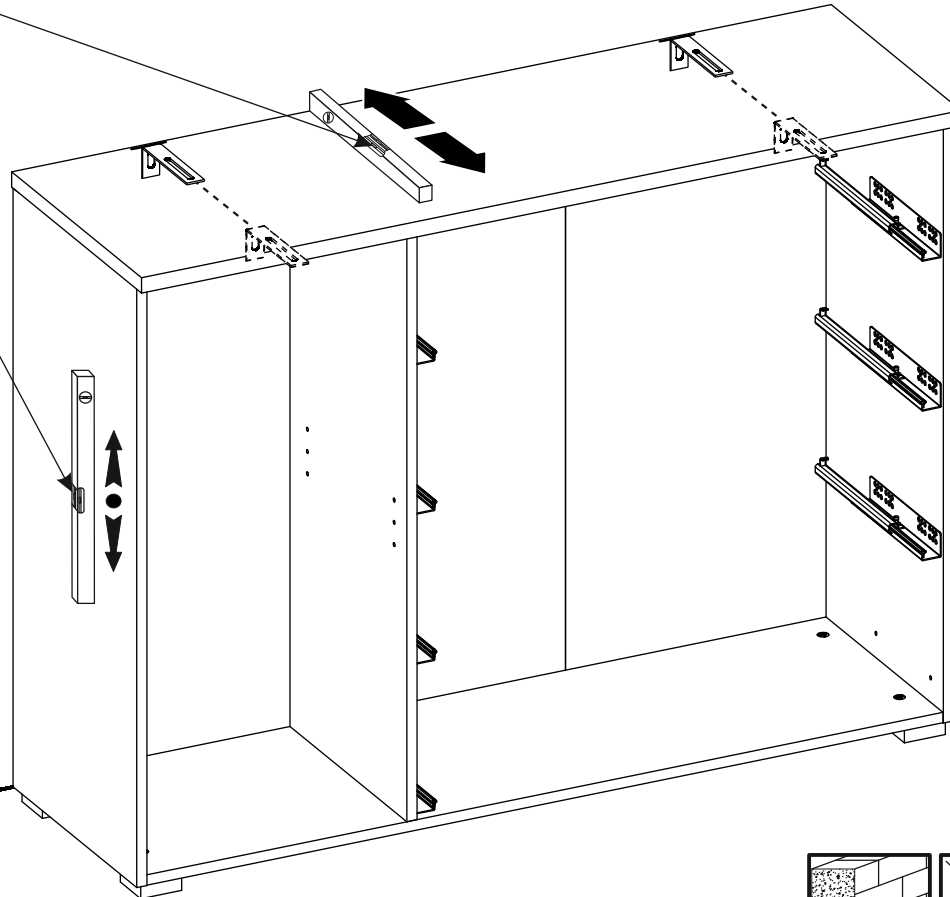
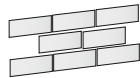
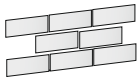
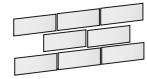
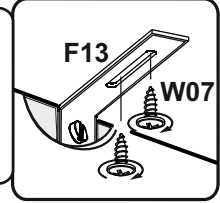
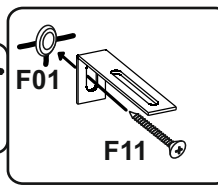
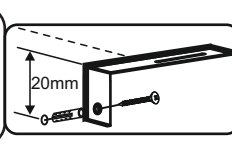
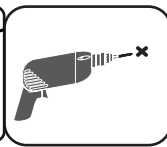
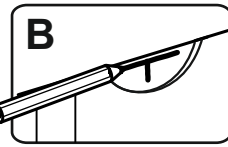
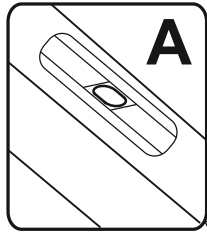


a=b

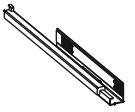


R01

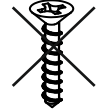

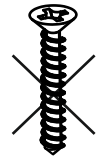
13

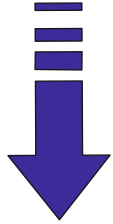
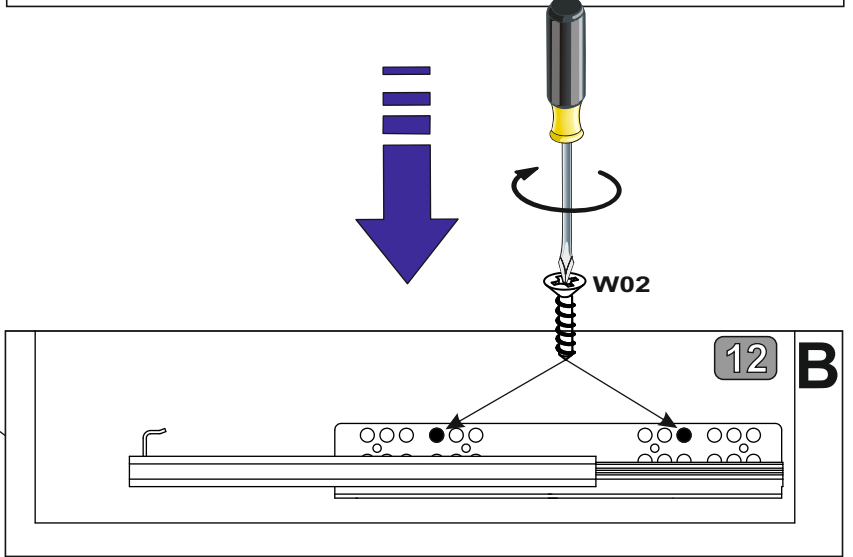
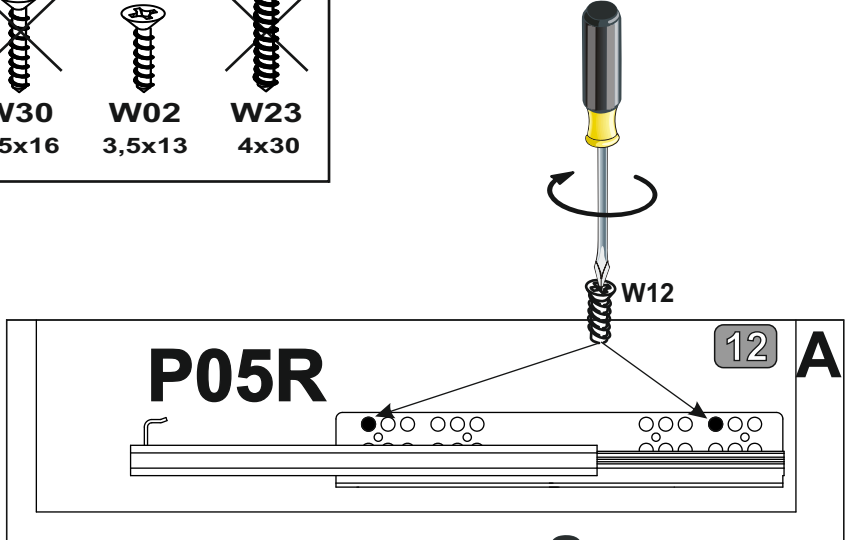
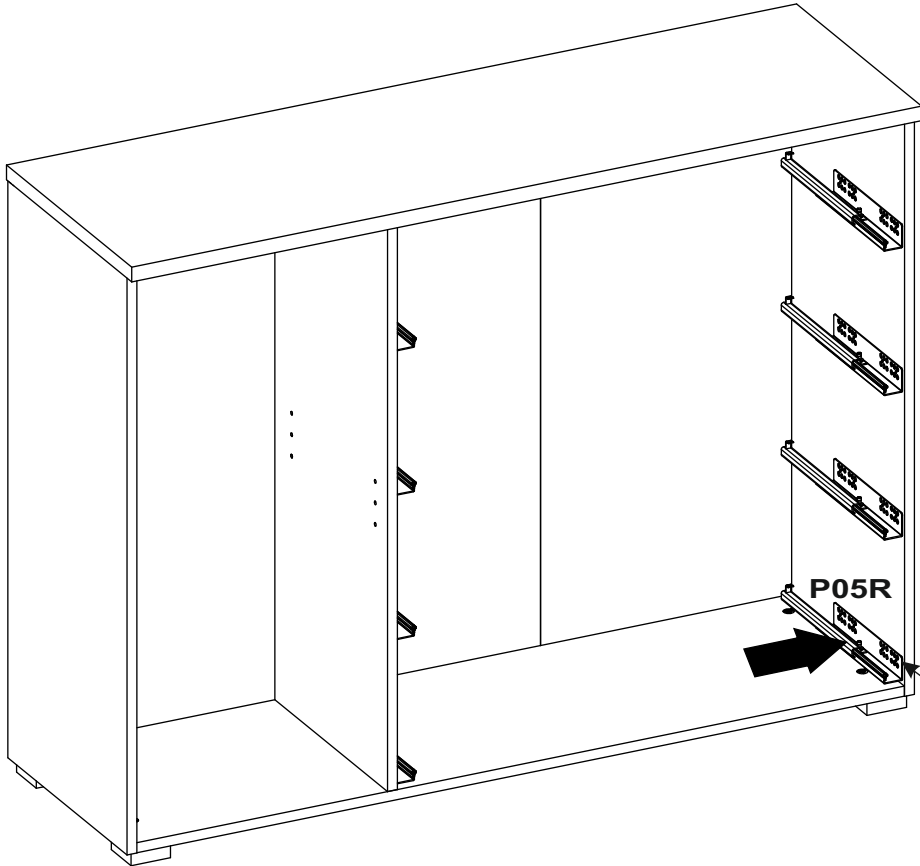
 2x F01	 2x F11	 2x F13	 4x13 4x W07
---	---	---	---



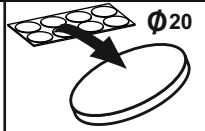
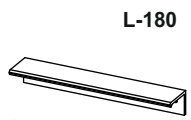

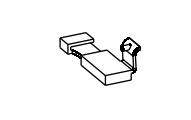
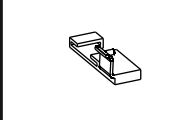
14

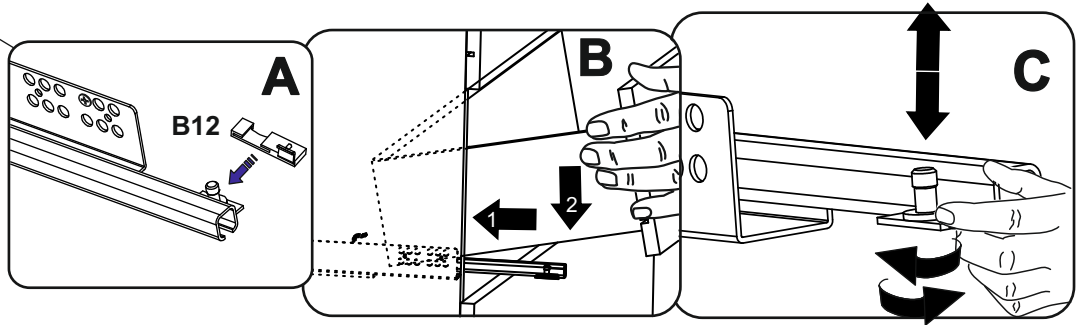
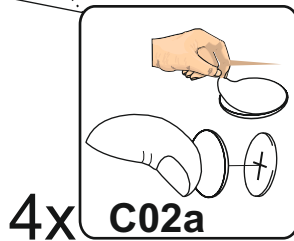
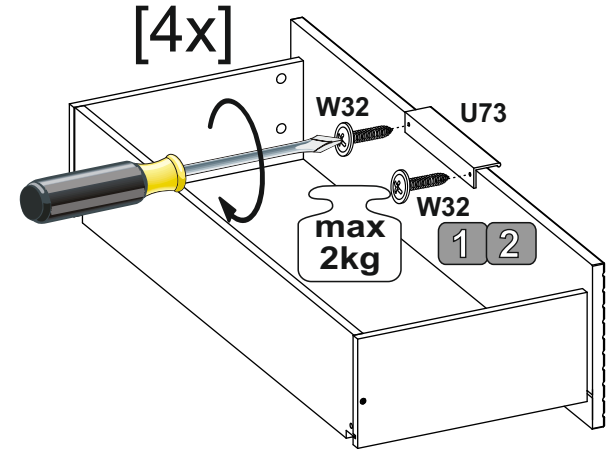
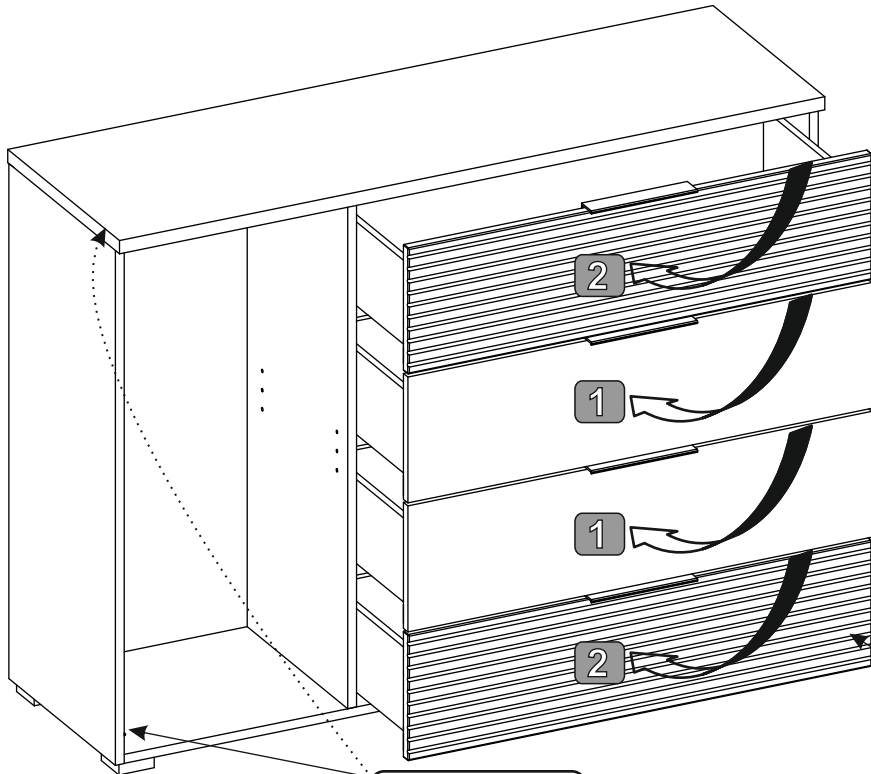
1x		2x		2x	
	P05R		W12		W02

		
W30	W02	W23
3,5x16	3,5x13	4x30

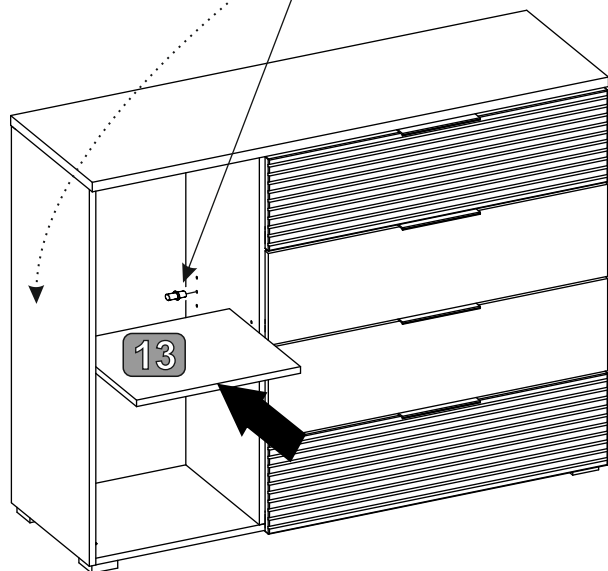
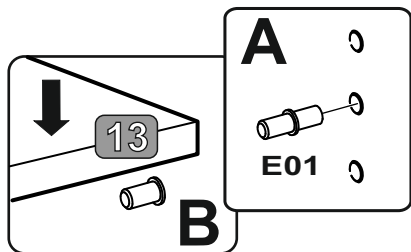
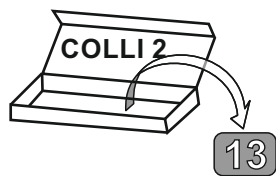
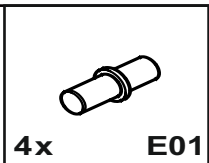


14

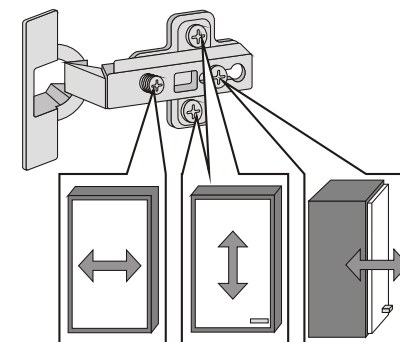
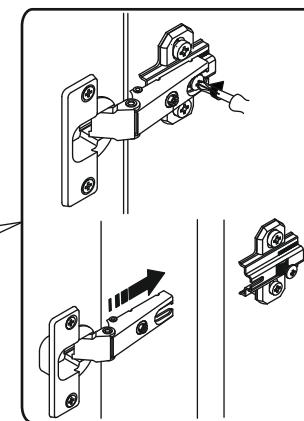
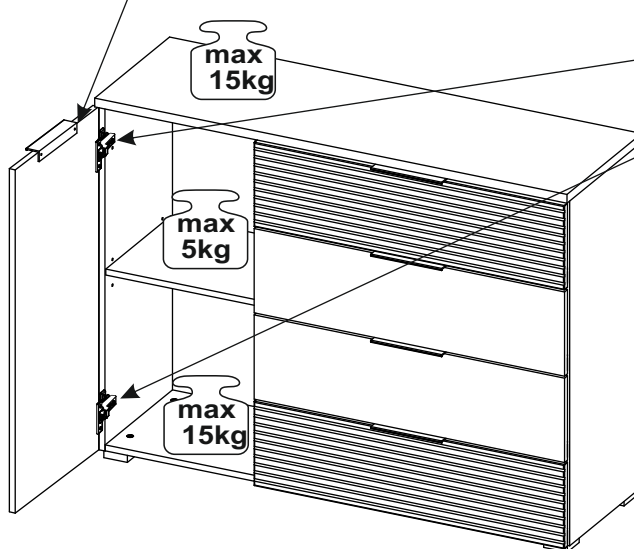
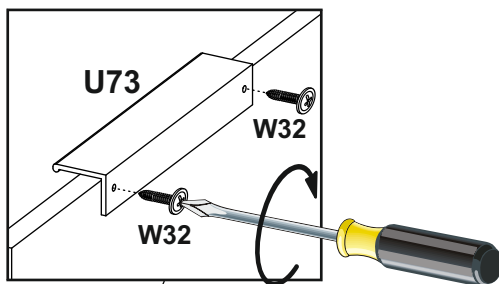
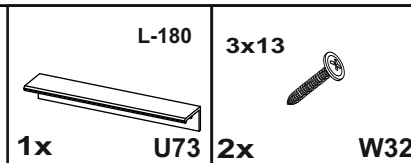
 4x C02a	 4x U73	 8x W32	 4x B12L	 4x B12R
---	---	---	---	--



15



16



17

