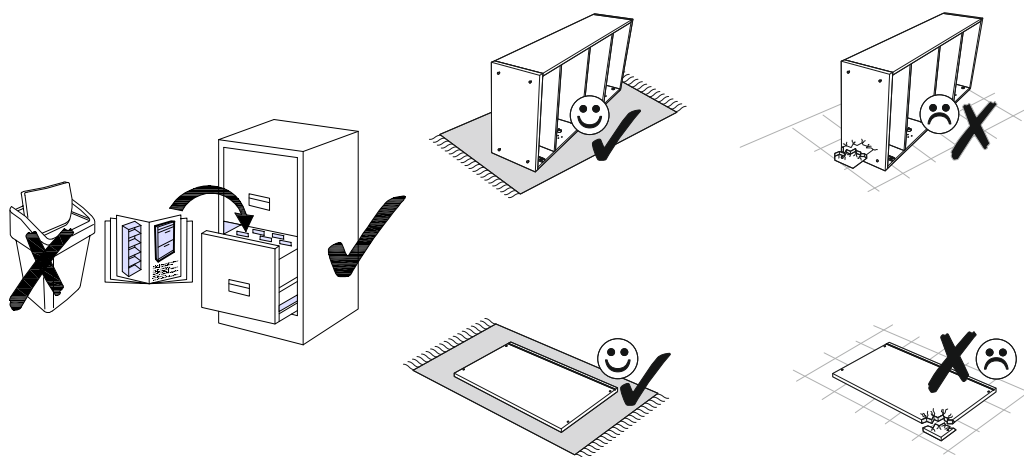
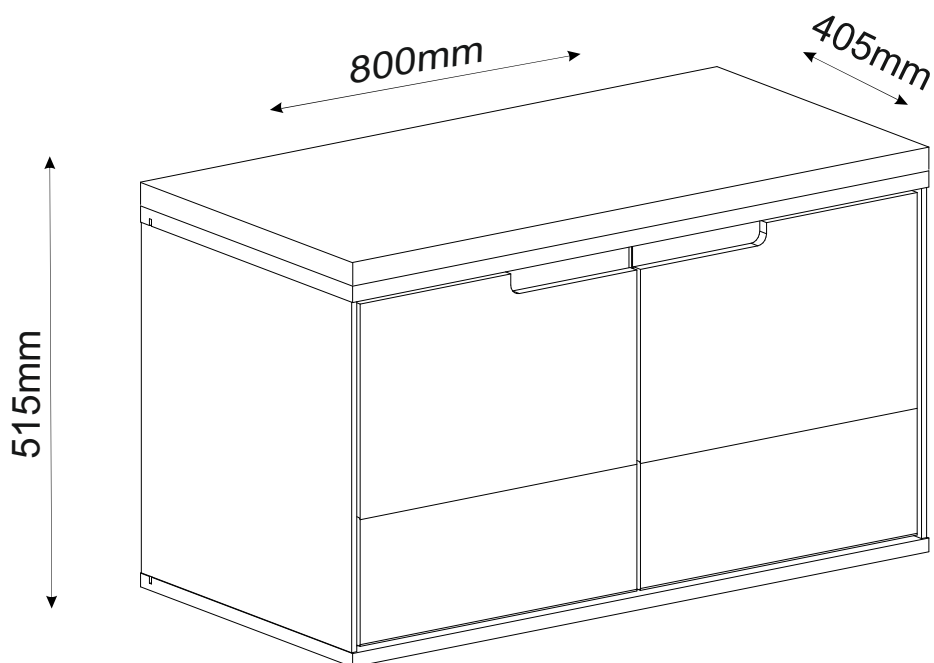
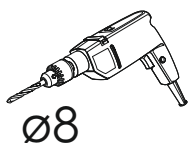
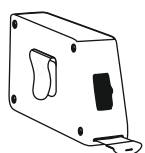
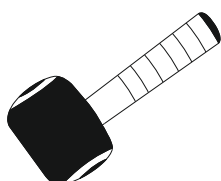
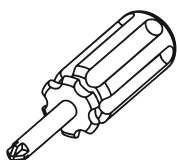
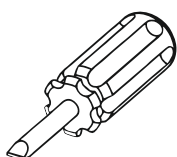
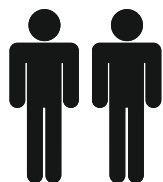
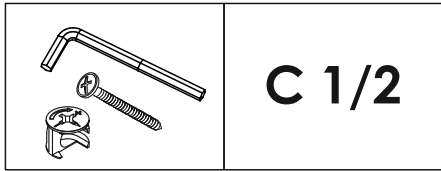




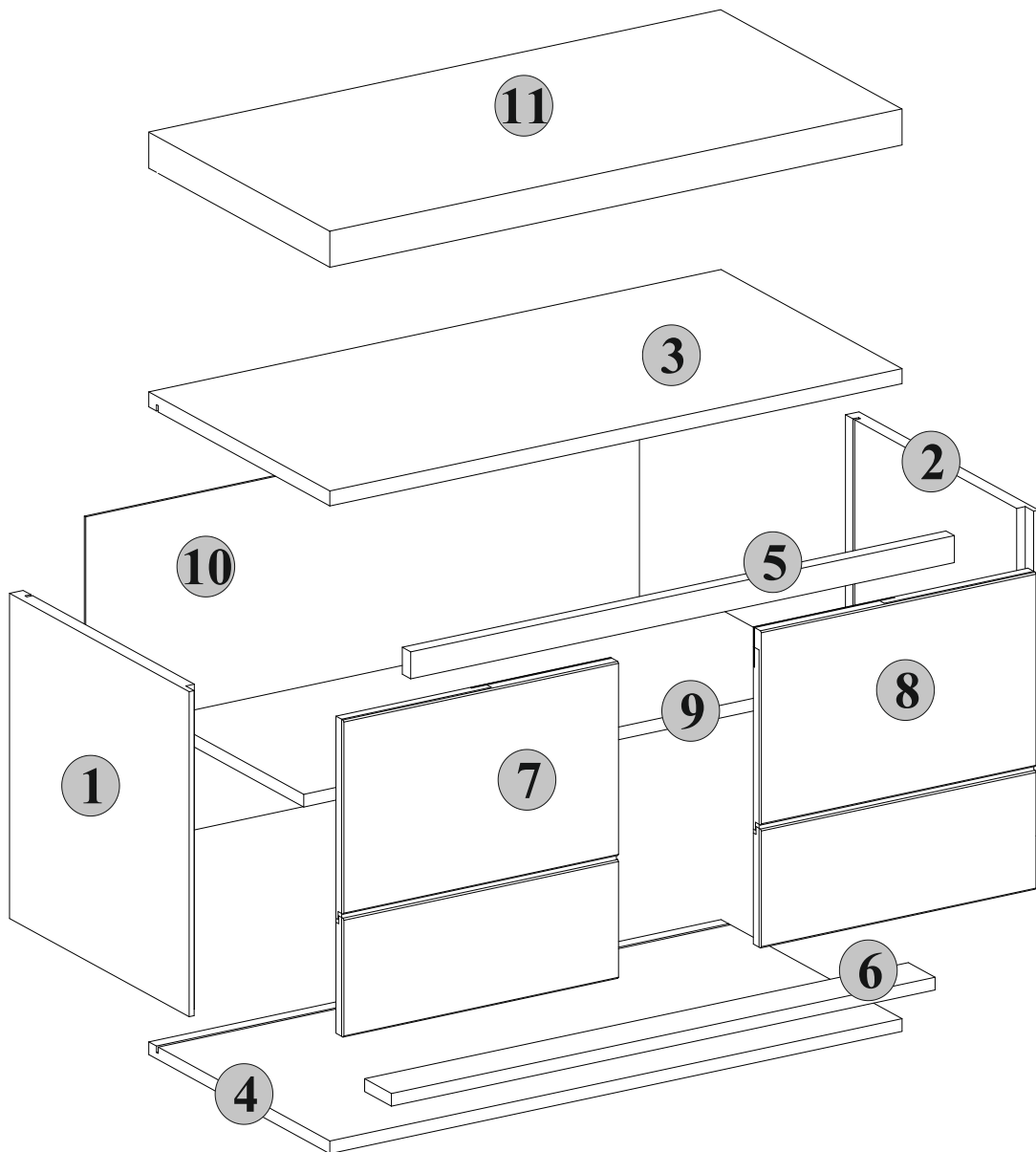
LOLA

Art. Nr. 14160031/03

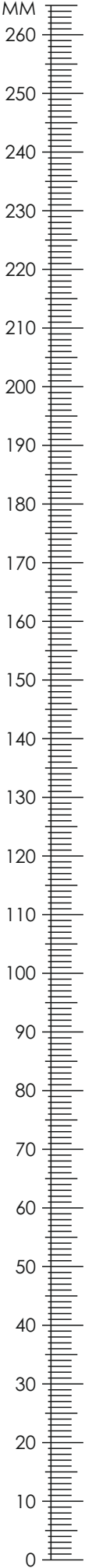
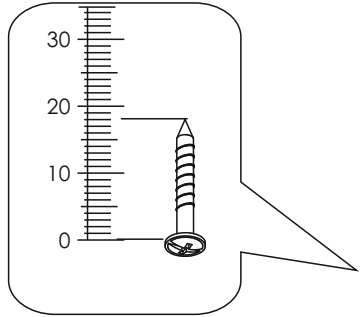


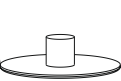

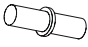
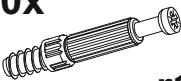
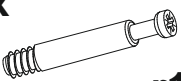





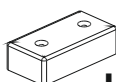
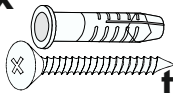
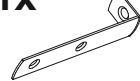



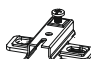


1	410	402	19 x1	1/2
2	410	402	19 x1	1/2
3	800	405	19 x1	1/2
4	800	405	16 x1	1/2
5	760	34	19 x1	1/2
6	760	60	16 x1	1/2
7	384	400	18 x1	2/2
8	384	400	18 x1	2/2
9	759	317	16 x1	1/2
10	424	774	3 x1	1/2
11	820	380	45 x1	1/2

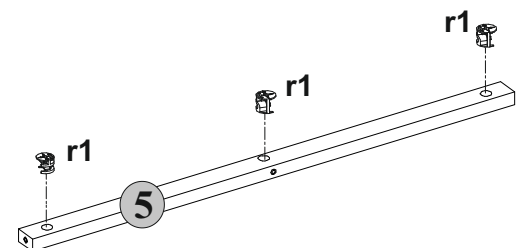
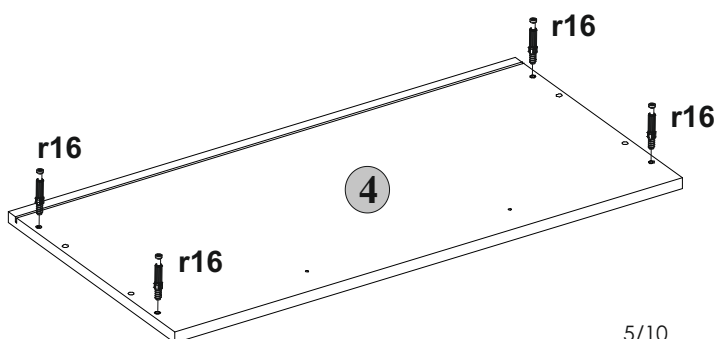
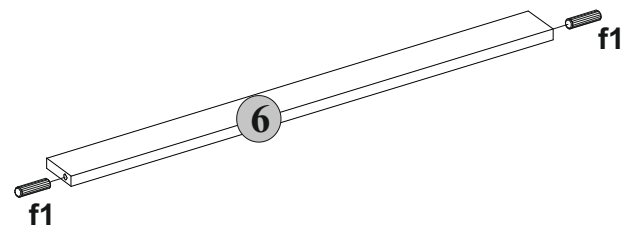
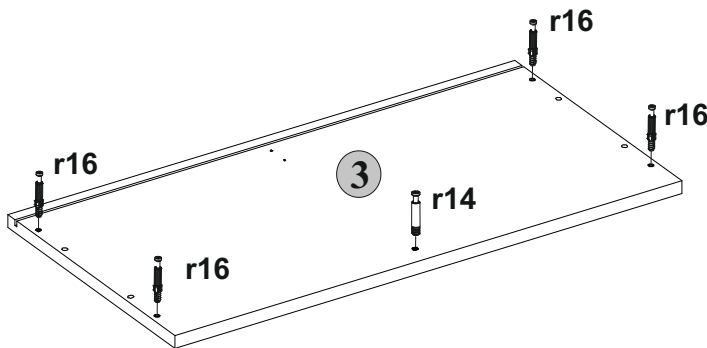
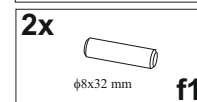
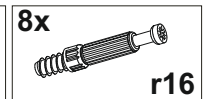
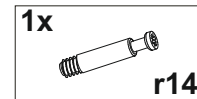
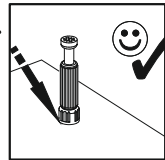
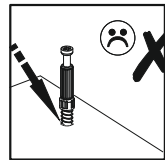
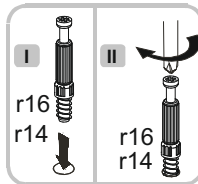
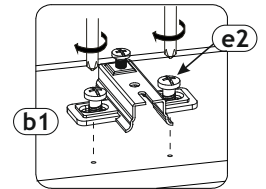
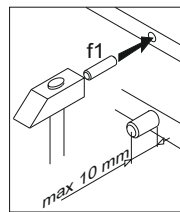
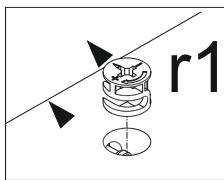
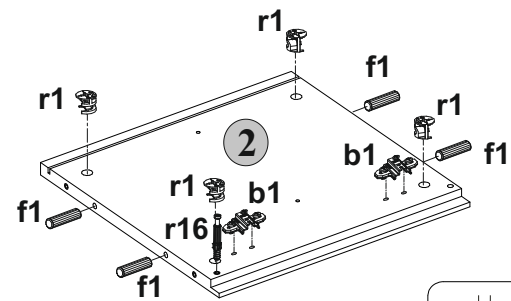
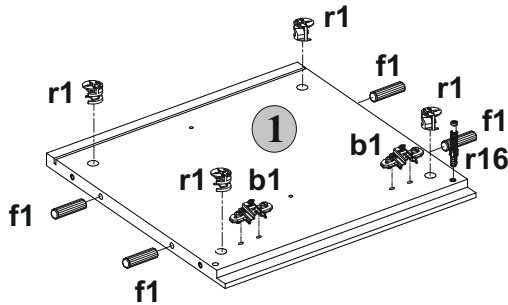
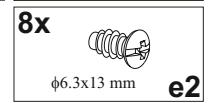
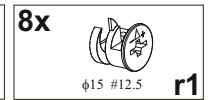
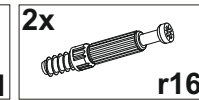
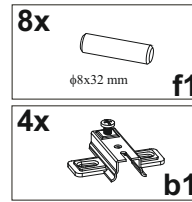
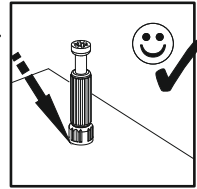
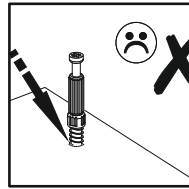
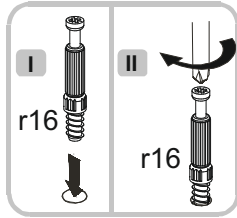
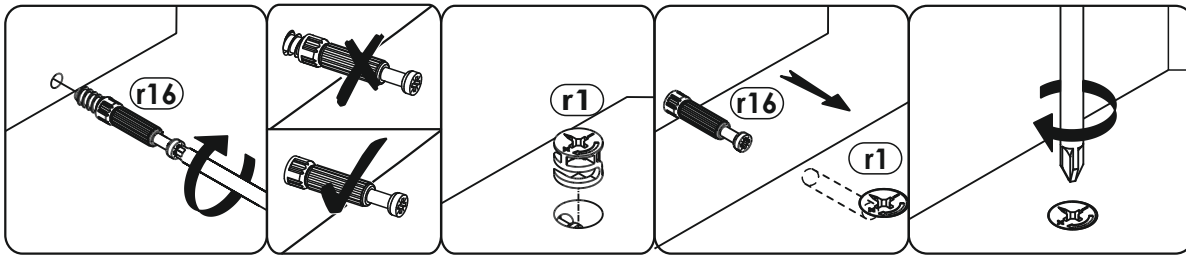


Art. Nr. 14160031/03





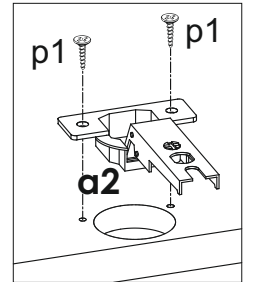
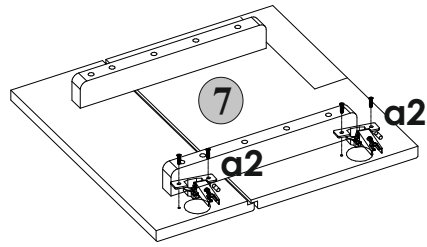
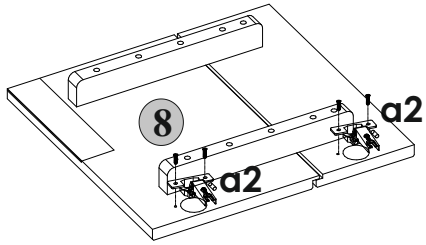
A	11x  s2	11x  φ15 #12.5 r1	4x  φ5x17 mm d1
	10x  r16	1x  r14	8x  φ3.5x16 mm p1
B	10x  φ8x32 mm f1	10x  φ3.5x35 mm p80	12x  l2
	2x  φ4x30 mm p42	5x  k19	
C	1x  t17	1x  n14	
	2x  φ3.5x16 mm p1		

b1  x4	a2  x4	e2  x8
---	---	---

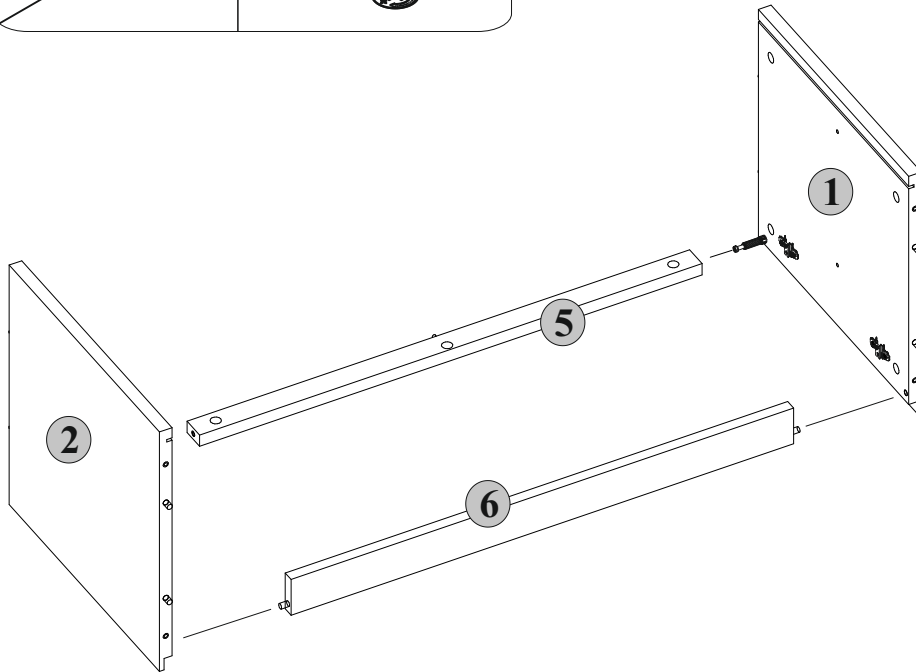
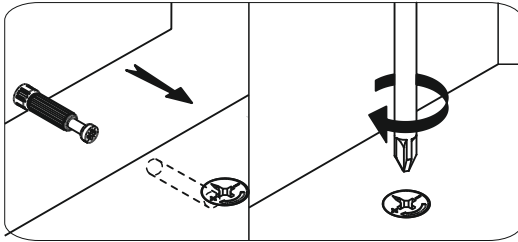


3

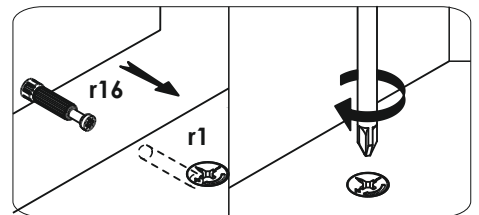
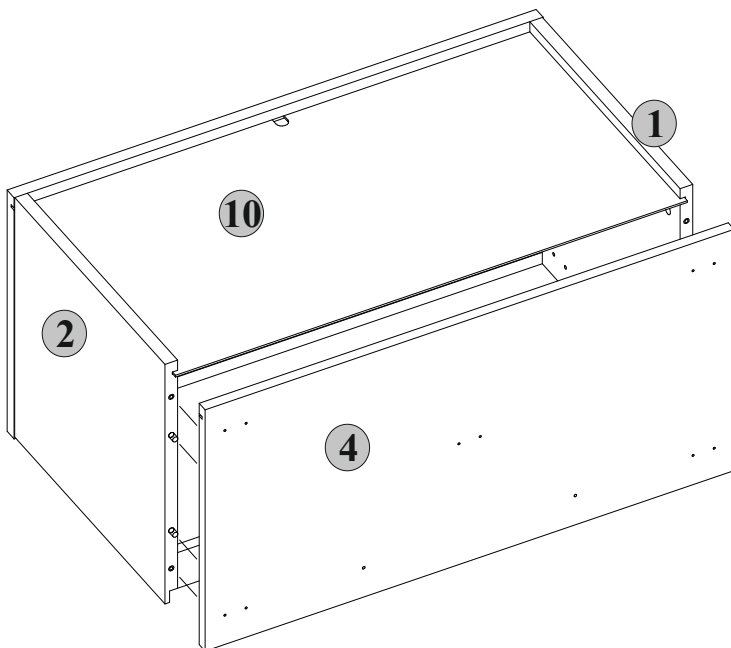
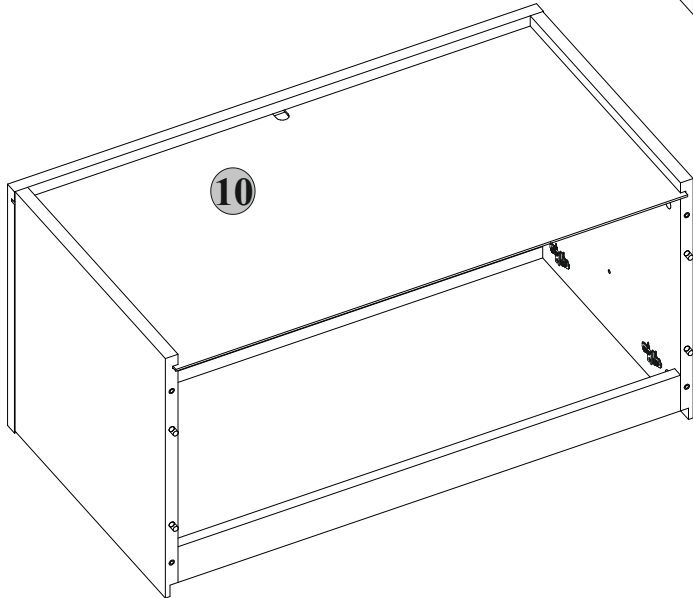
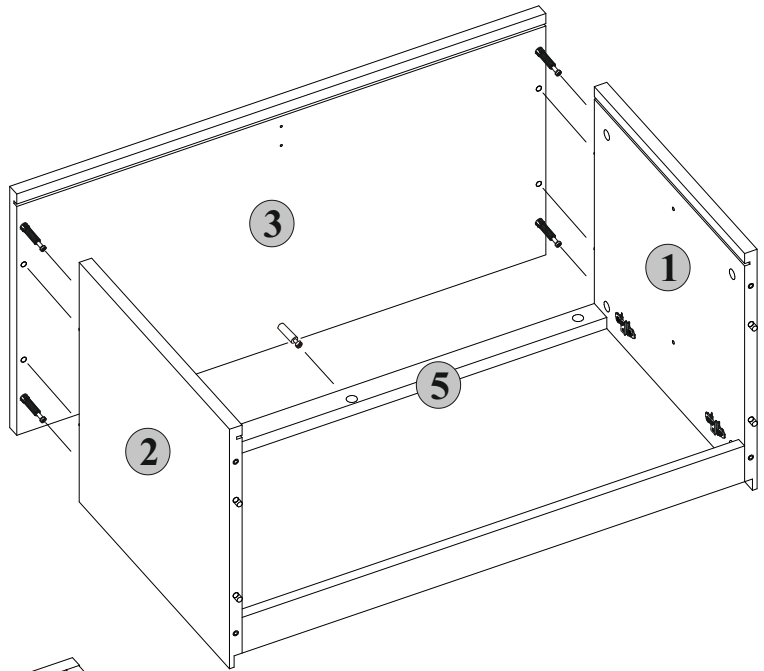
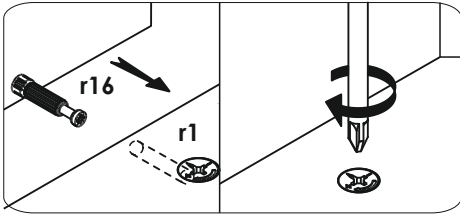
- 4x  a2
- 8x  p1
ø3.5x16 mm



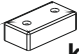



4

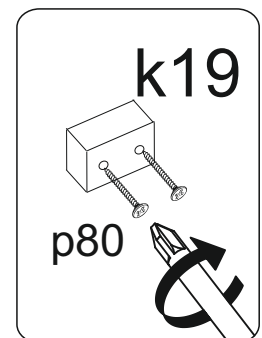
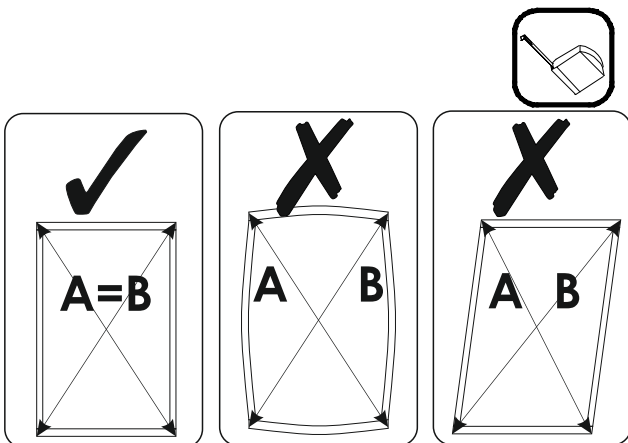
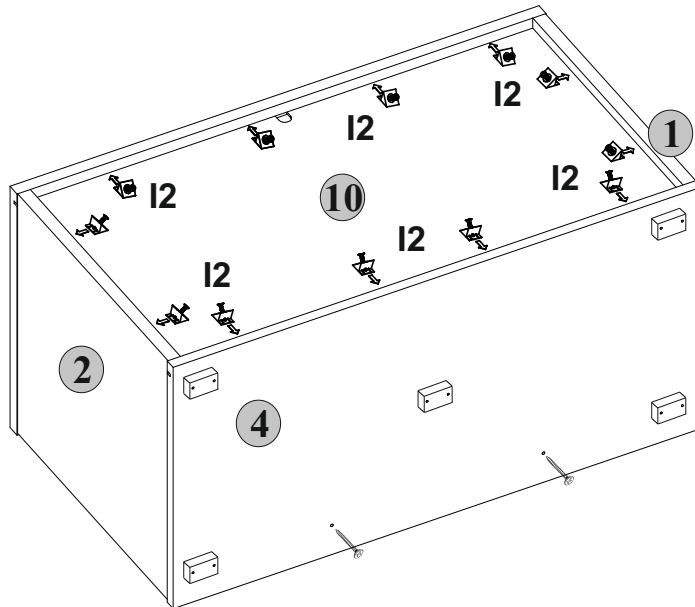
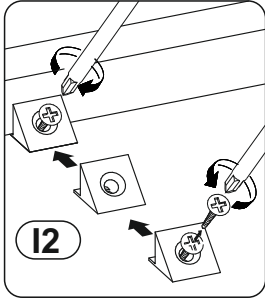


5


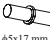
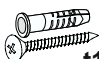
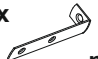



6

5x  k19	12x  I2
2x  φ4x30 mm p42	10x  φ3.5x35 mm p80



7

- 11x  s2
- 4x  $\phi 5 \times 17$ mm d1
- 1x  t17
- 1x  n14
- 2x  $\phi 3.5 \times 16$ mm p1

