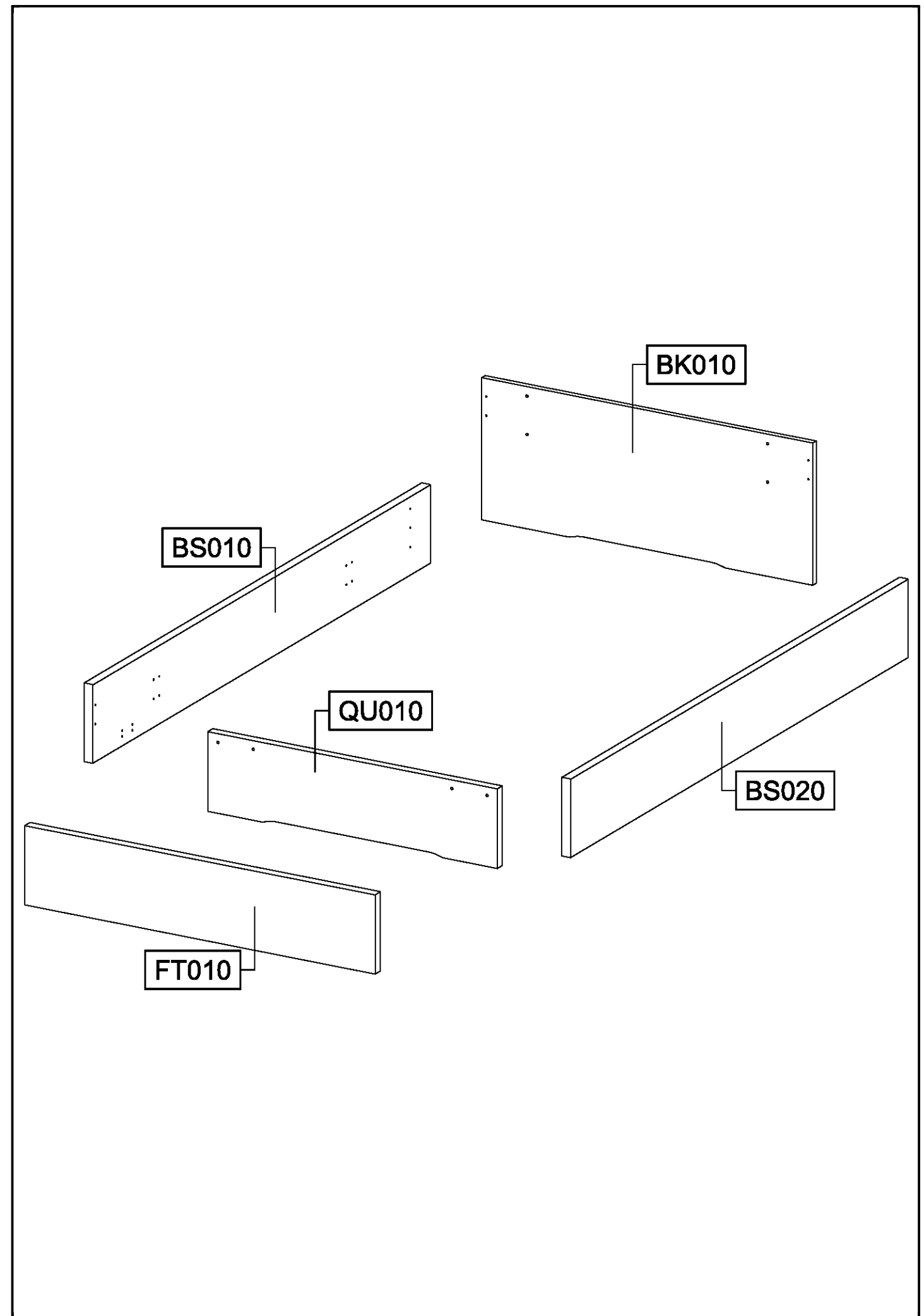
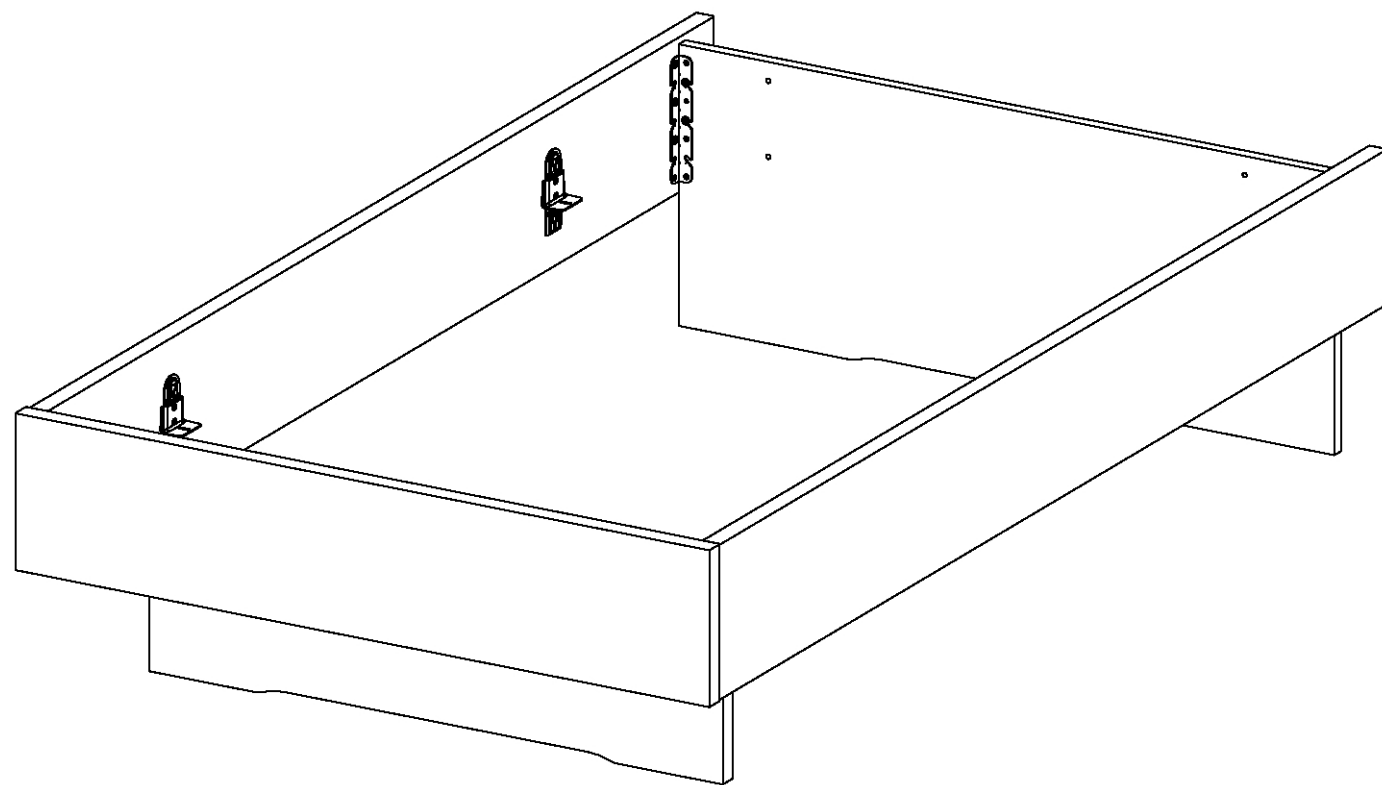
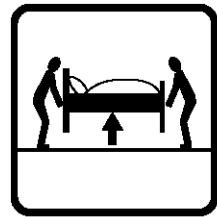
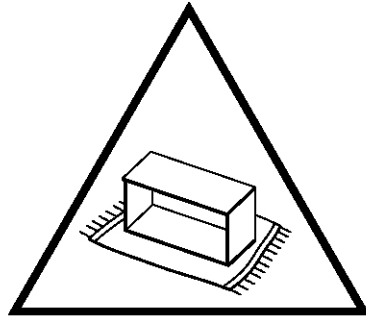
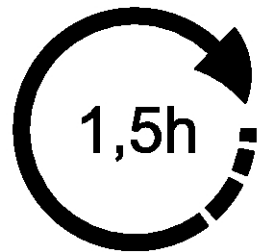
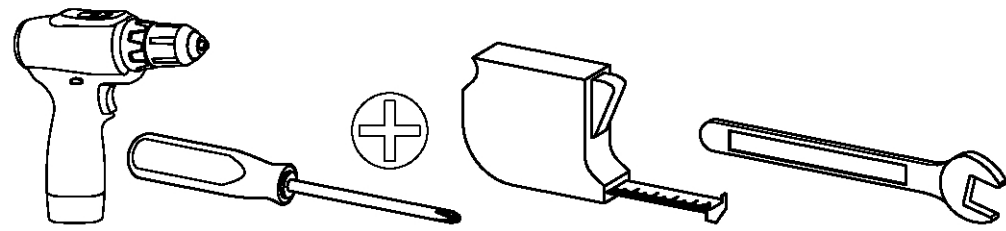


MD153_01

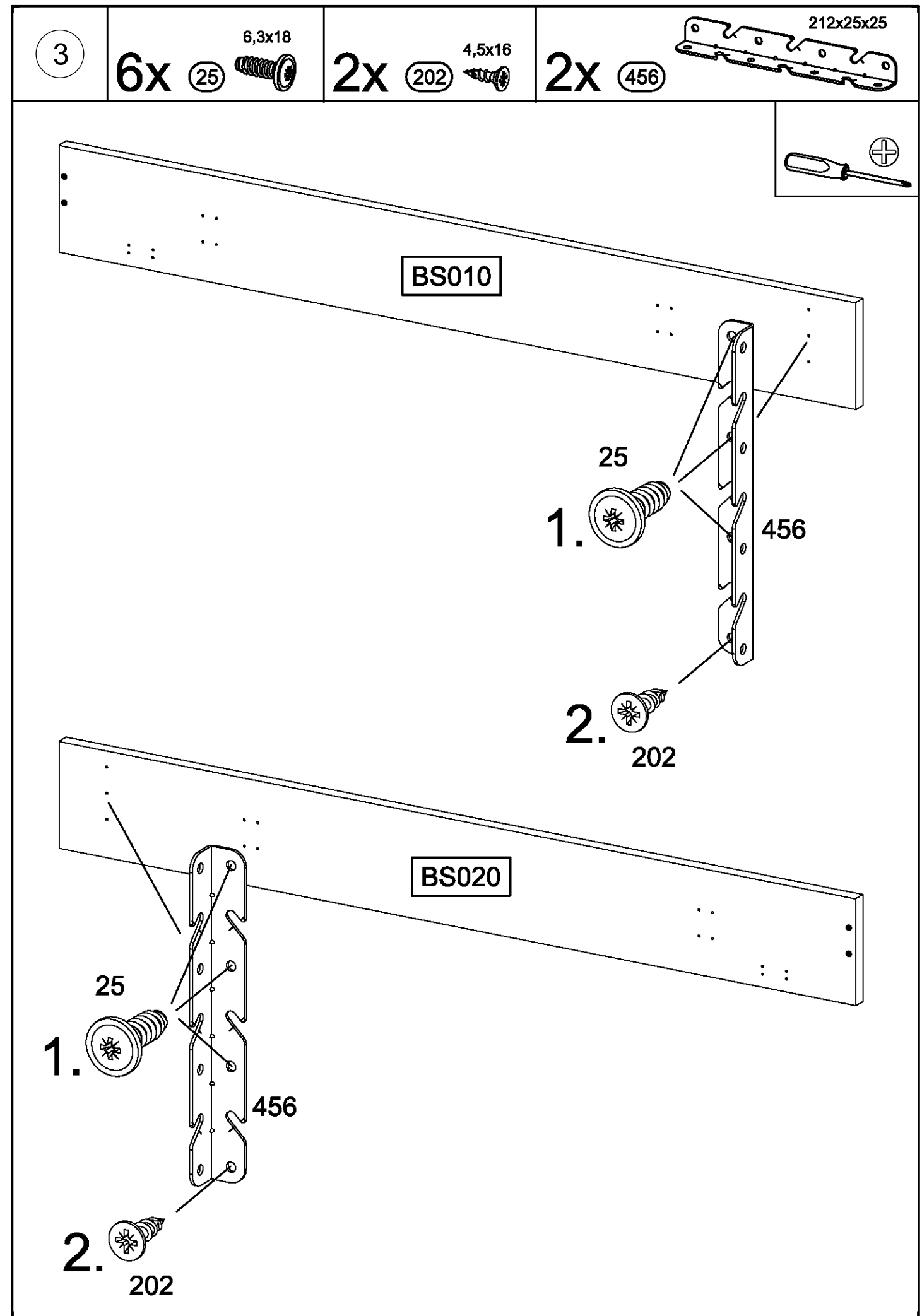
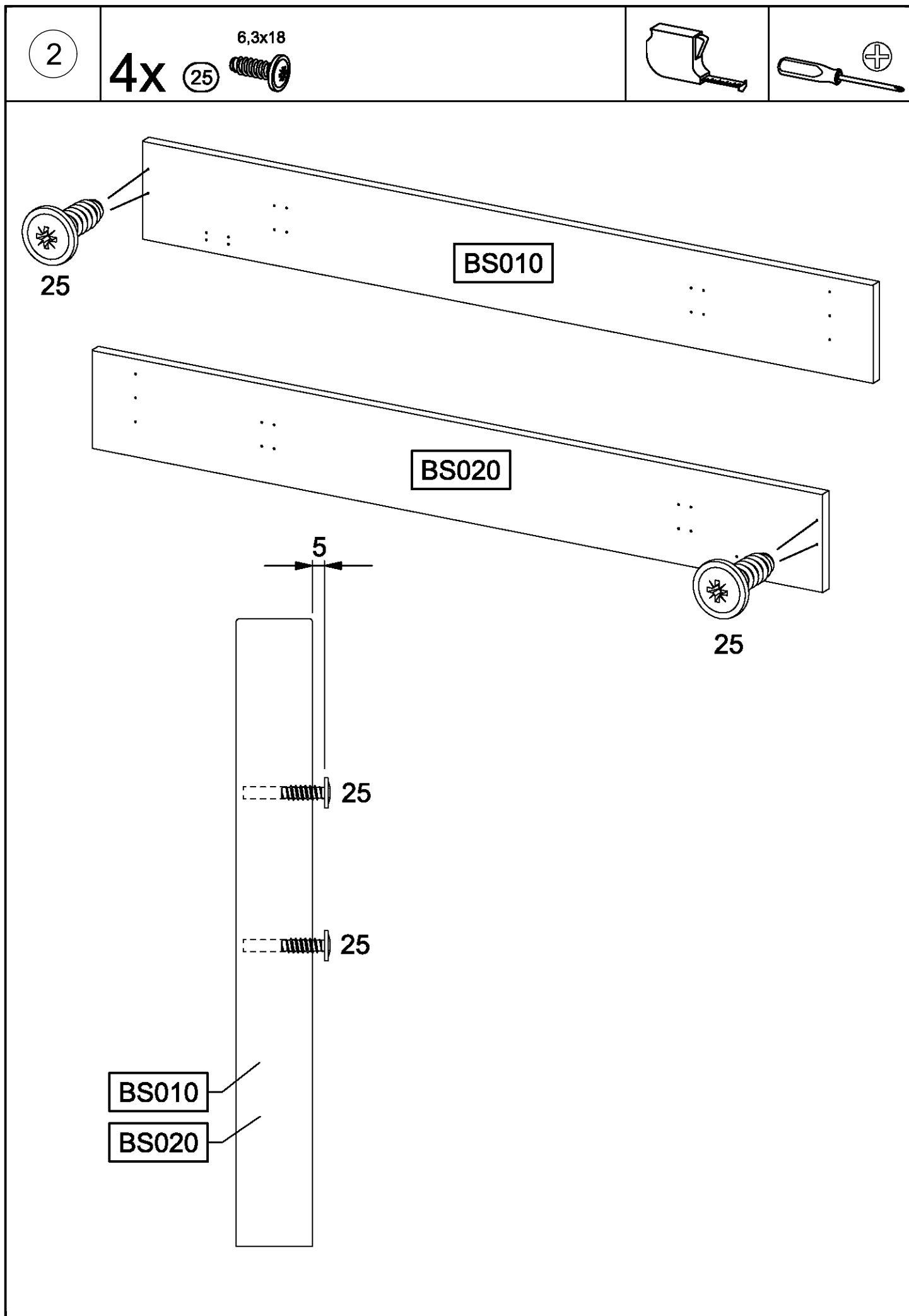
rauch

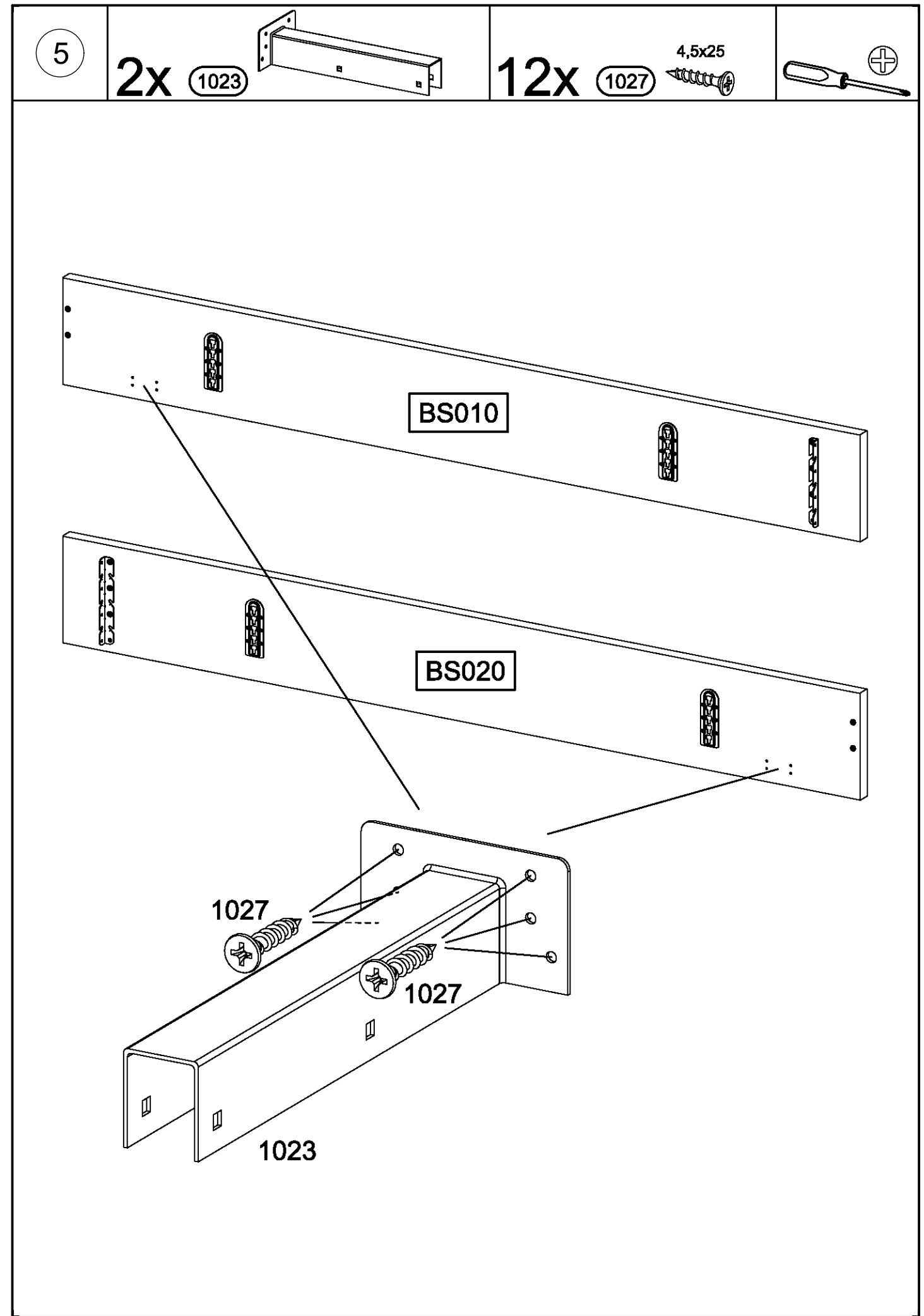
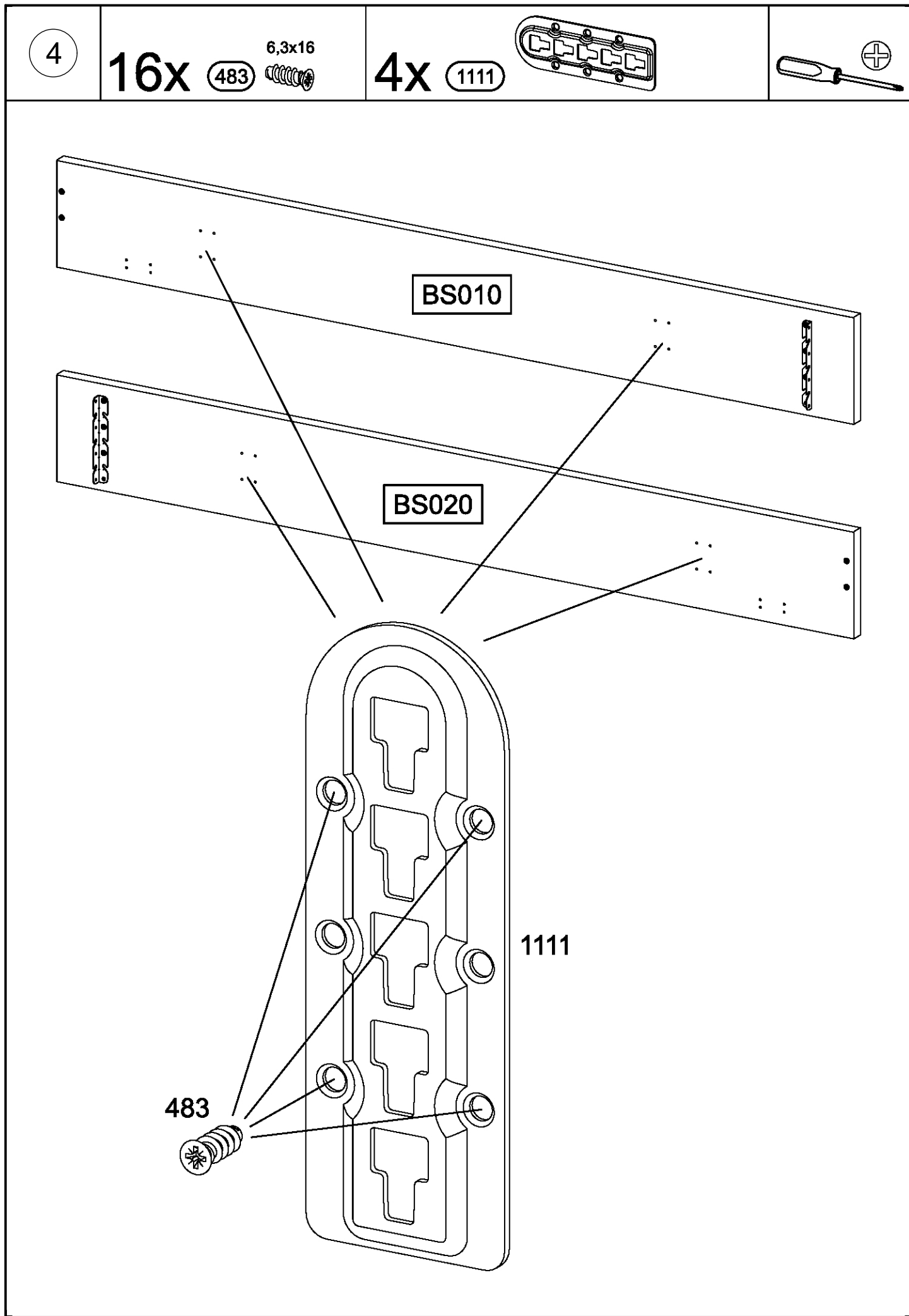


<p>20x</p> <p>6,3x18</p> <p>(25) </p>	<p>16x</p> <p>4,5x16</p> <p>(202) </p>
<p>4x</p> <p>212x25x25</p> <p>(456) </p>	<p>16x</p> <p>6,3x16</p> <p>(483) </p>
<p>2x</p> <p>(1023) </p>	<p>4x</p> <p>M5x45</p> <p>(1024) </p>
<p>4x</p> <p>M5</p> <p>(1025) </p>	<p>4x</p> <p>11,8/6,5x1,5</p> <p>(1026) </p>
<p>12x</p> <p>4,5x25</p> <p>(1027) </p>	<p>4x</p> <p>(1111) </p>
<p>4x</p> <p>(1112) </p>	

<p>1</p> <p>4x (25) </p>	
---------------------------------	--

Diagram illustrating the assembly of the BK010 panel. The panel is shown with four screws (25) being inserted into pre-drilled holes. A dimension line indicates a distance of 5 units between the top edge of the panel and the center of the screws. Below the panel, a vertical line shows the screws (25) being inserted into a vertical channel. A dimension line indicates a distance of 5 units from the top edge of the channel to the center of the screws. The label BK010 is shown in a box.





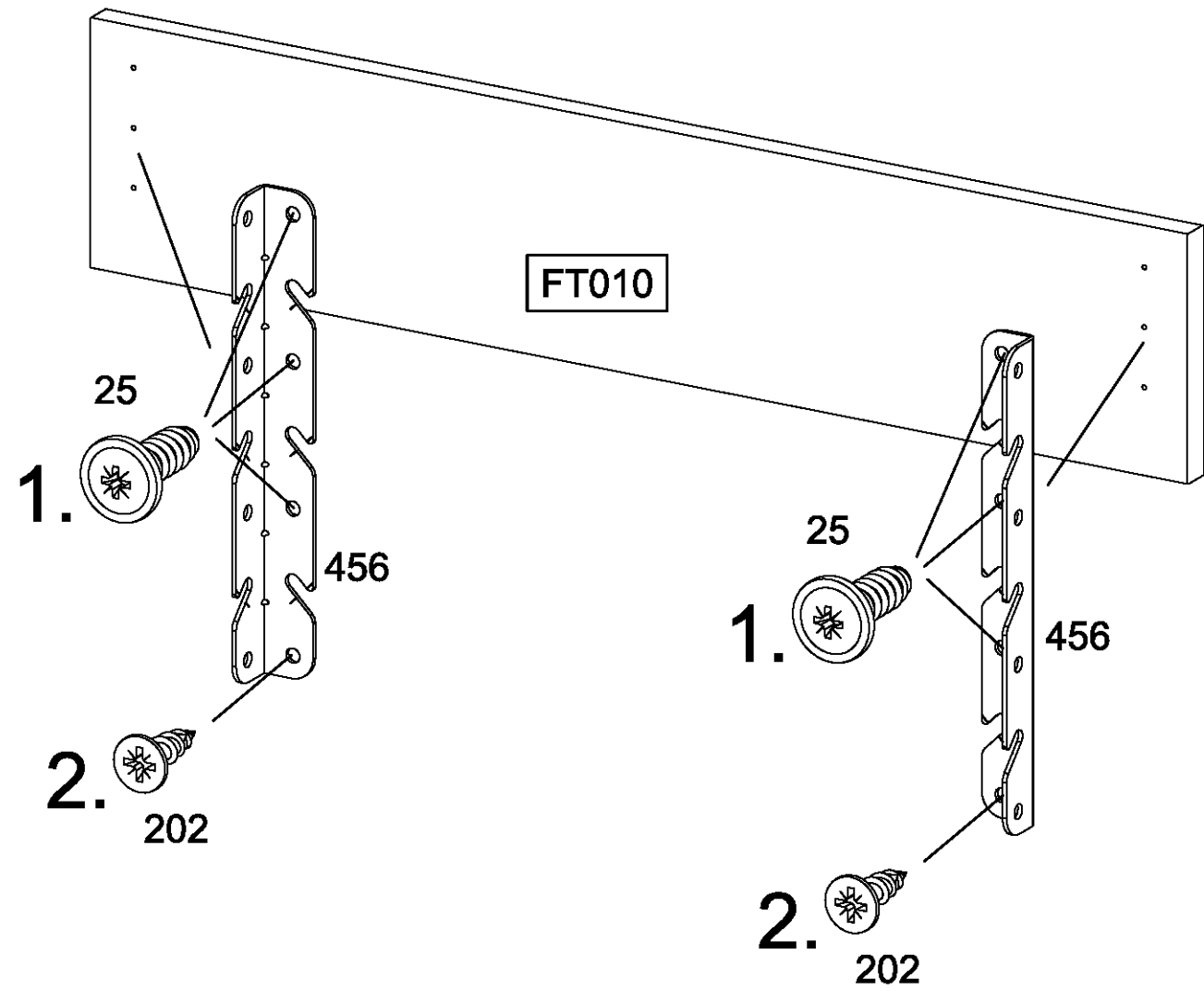
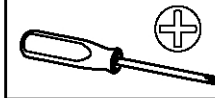
6

6x 25 6,3x18

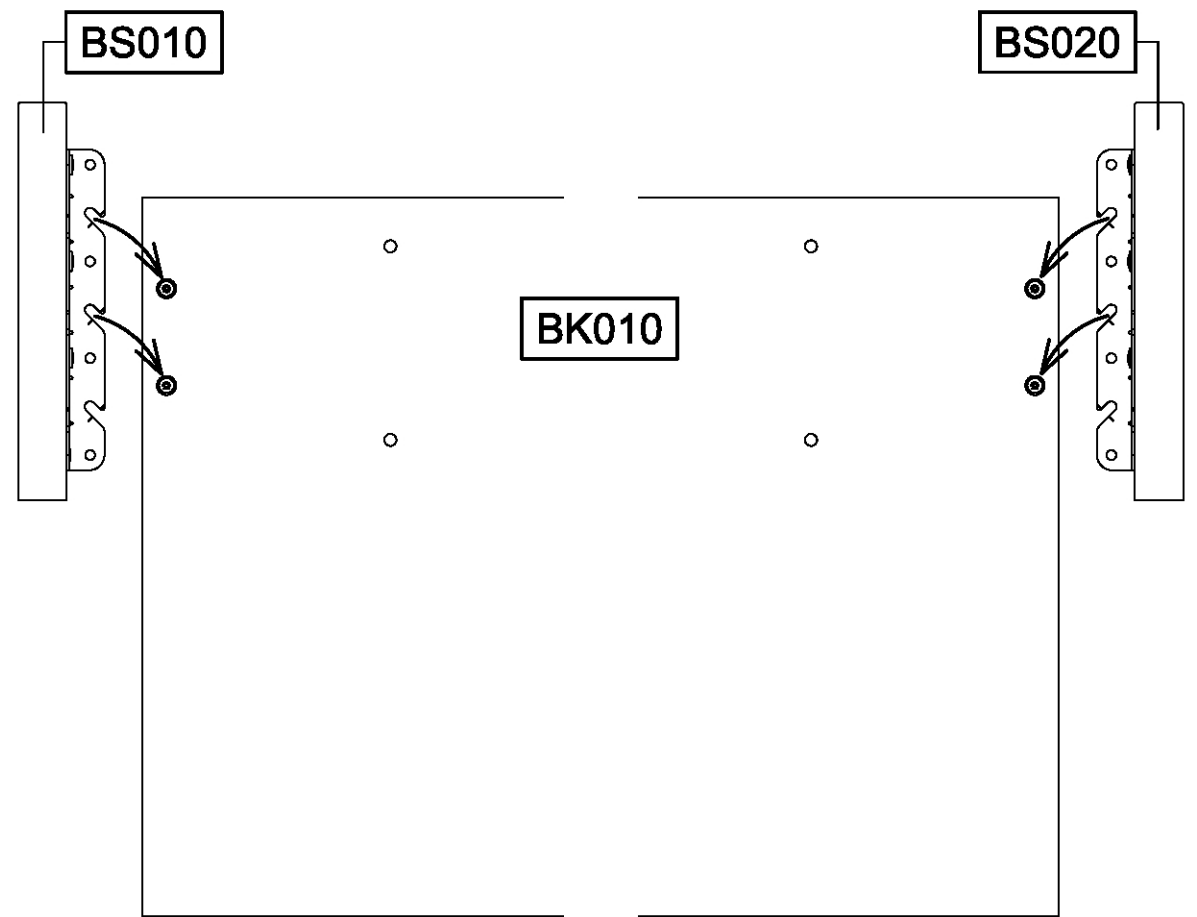
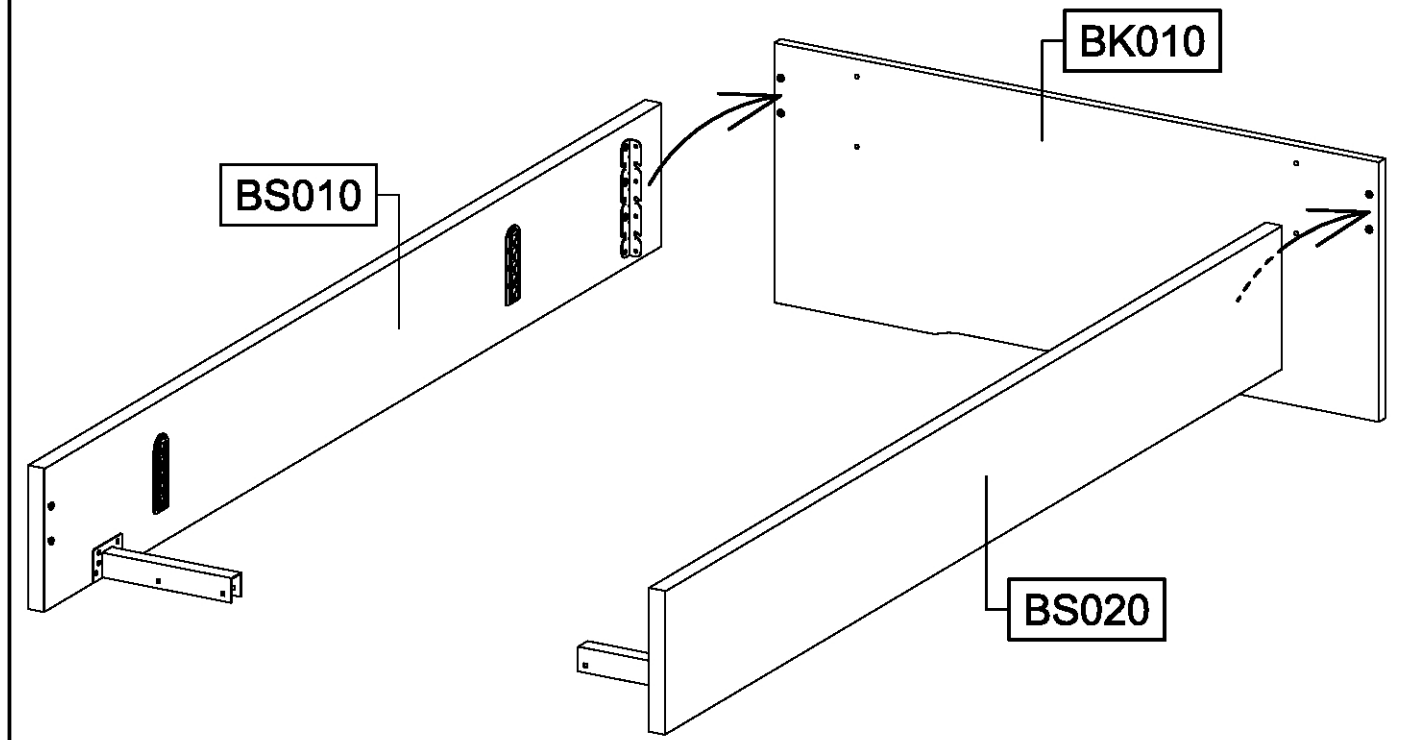
2x 202 4,5x16

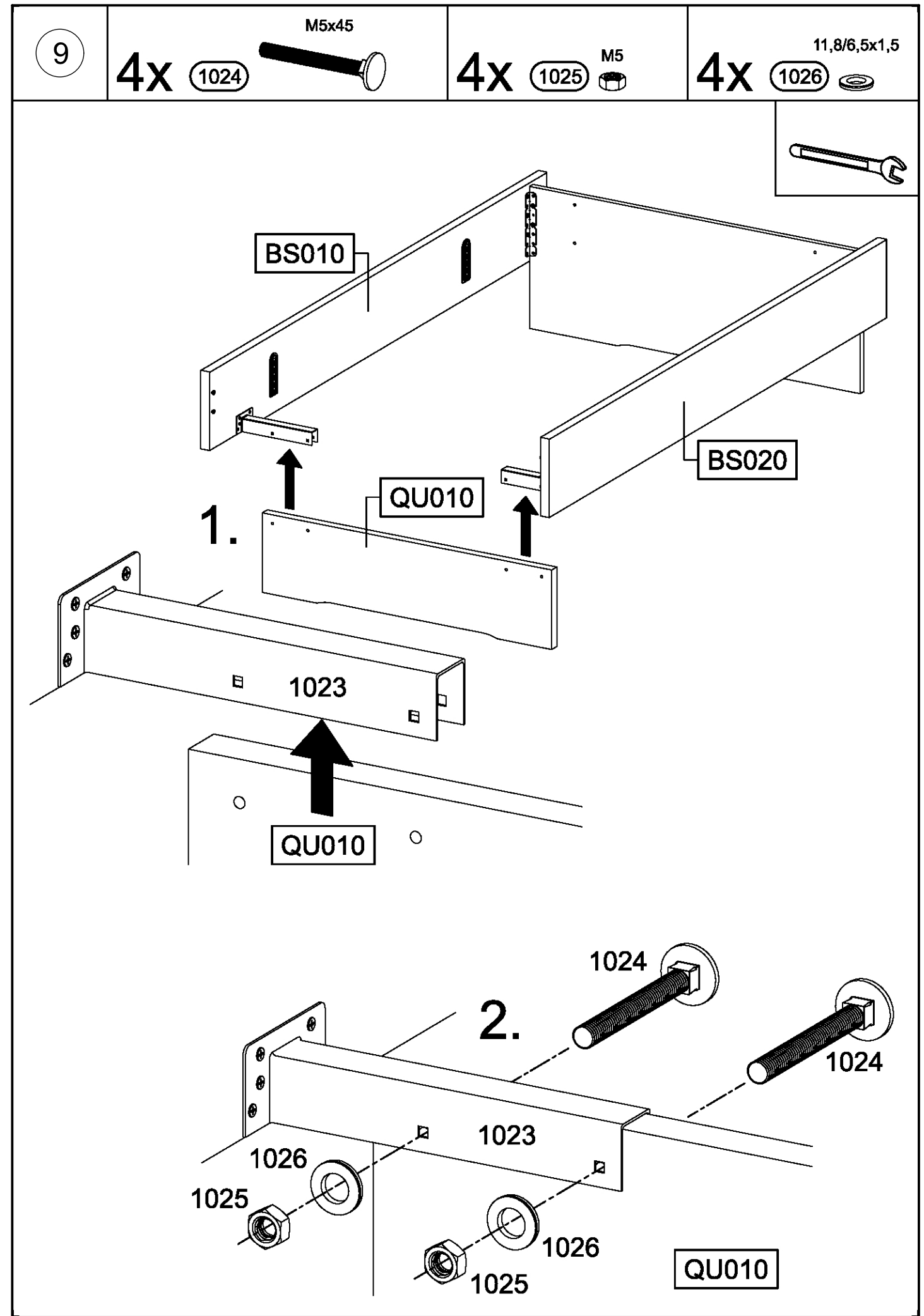
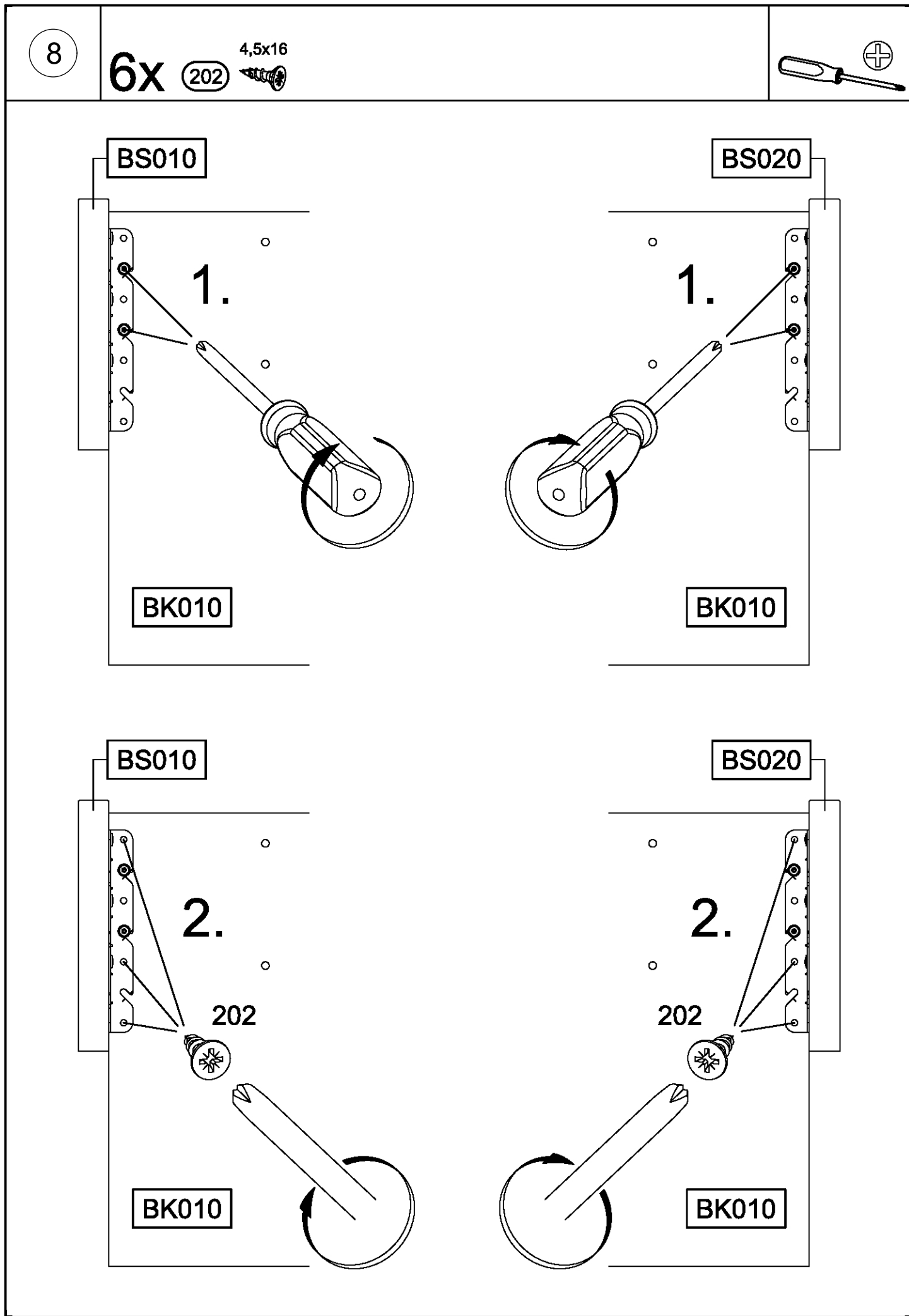
2x 456

212x25x25

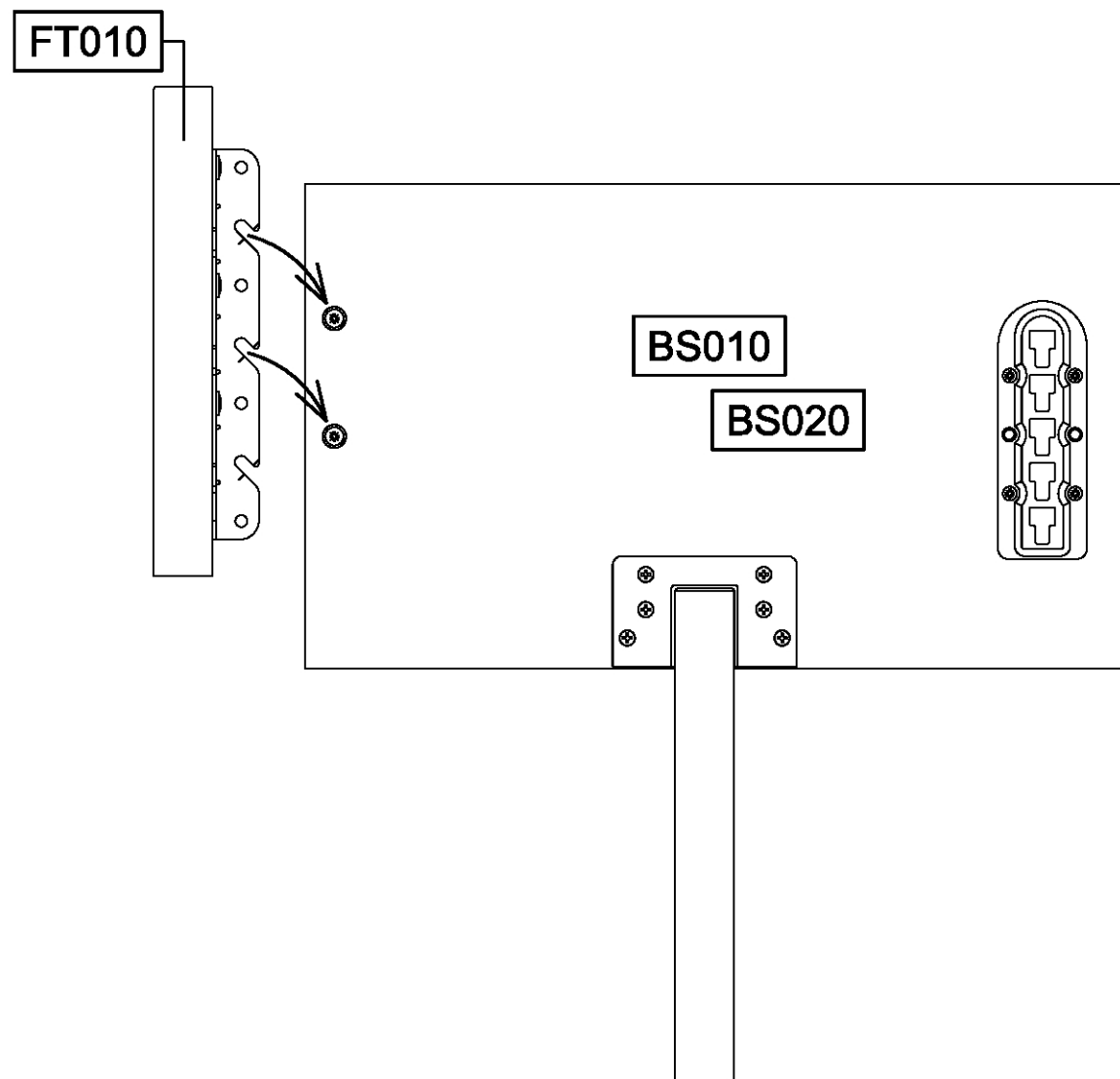
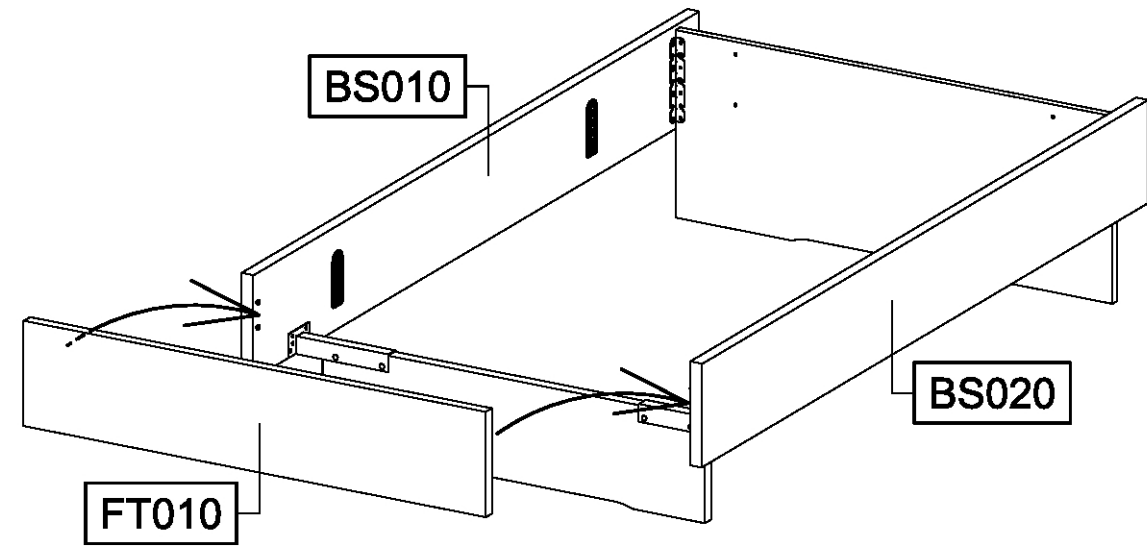


7



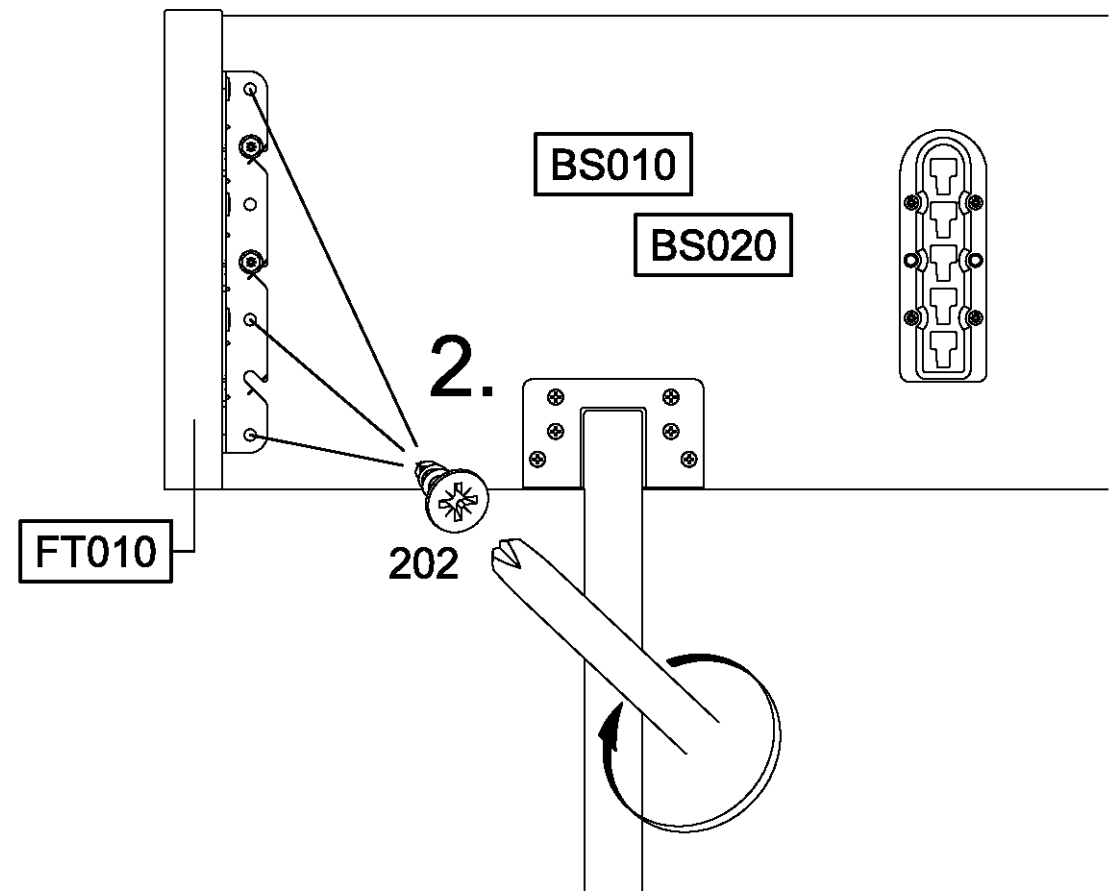
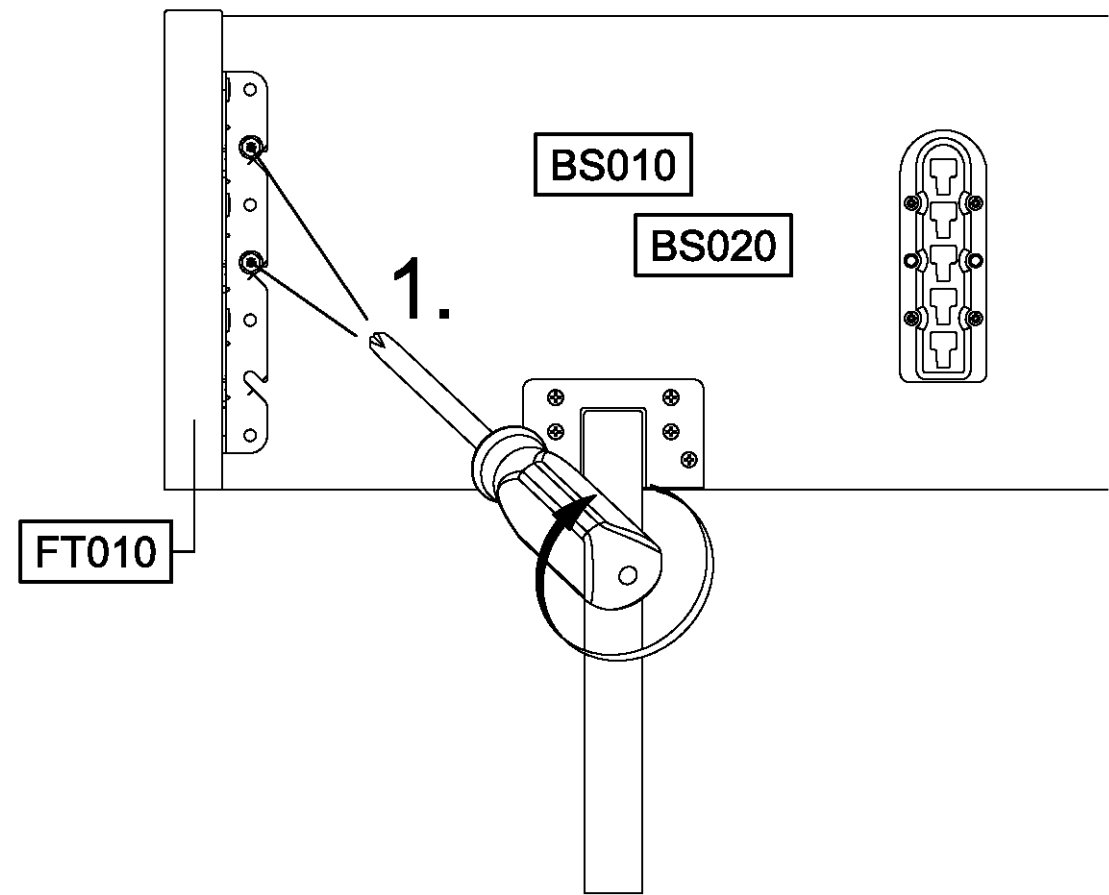
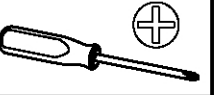


10



11

6x 202 4,5x16



12

4x 1112

