

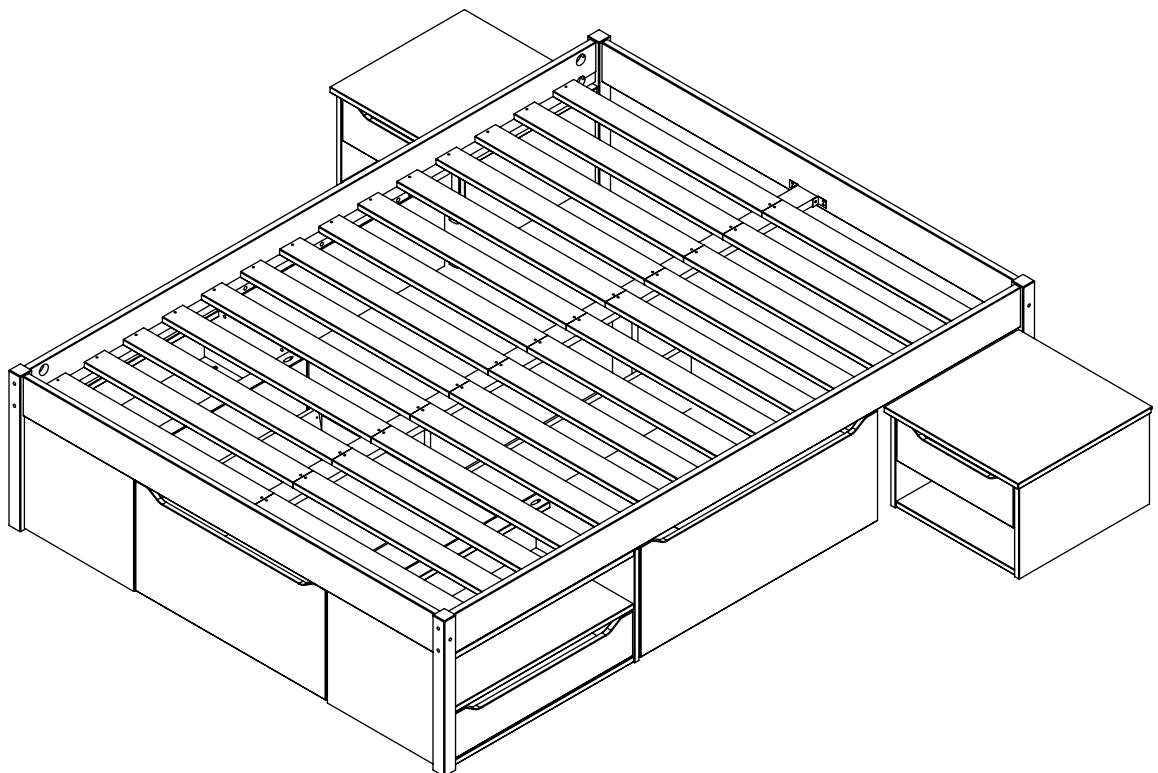
MAXX II

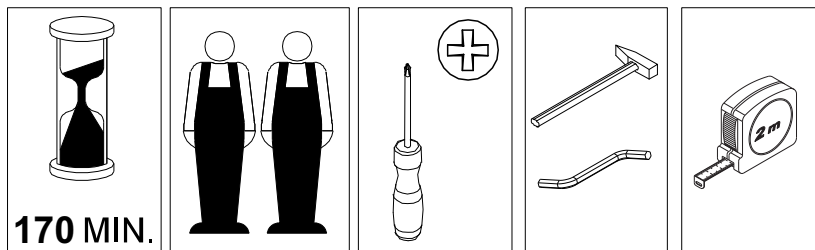
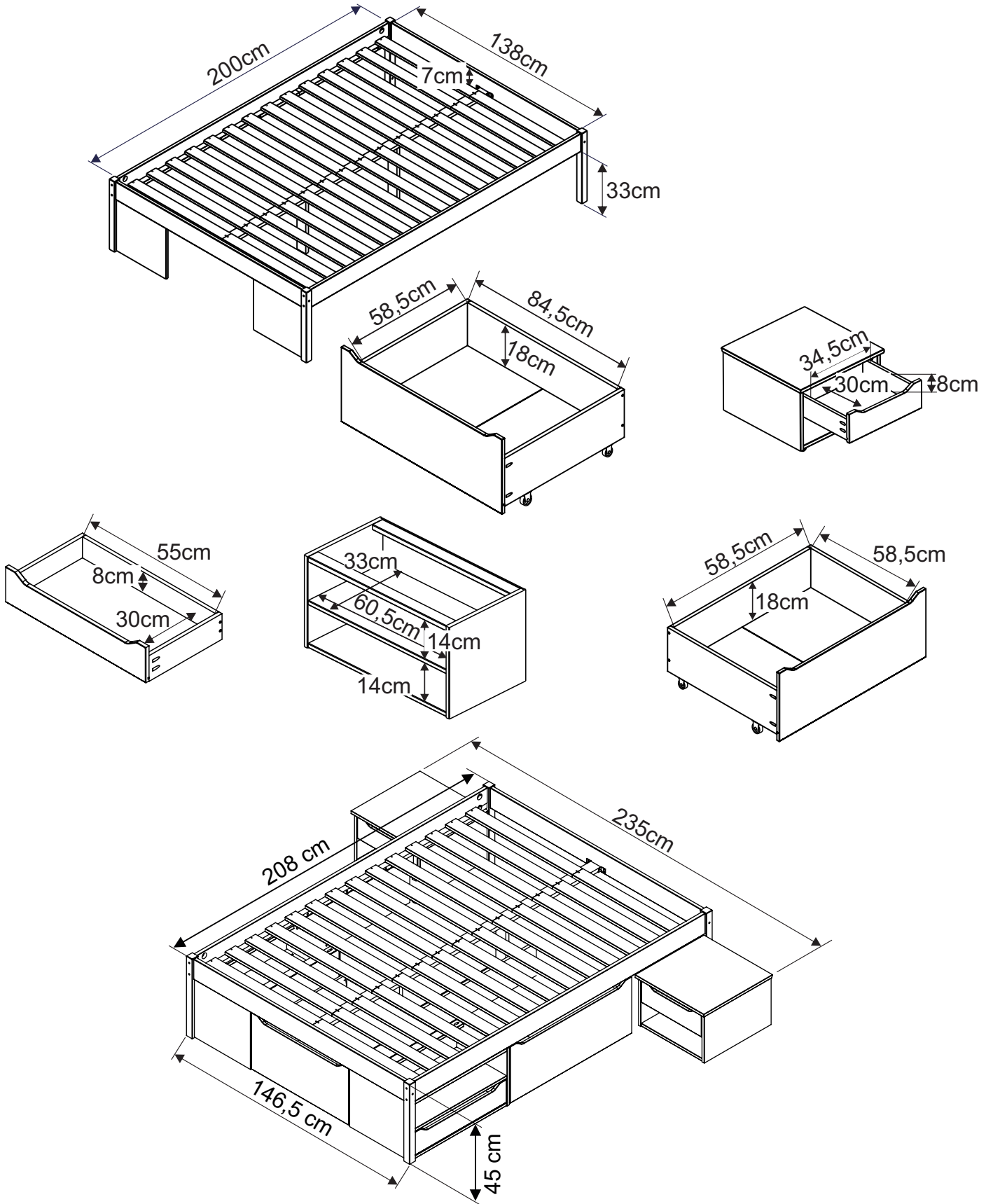
BED MULTIFUNCTION 140x200cm

0025470003/07 WEIß
WHITE

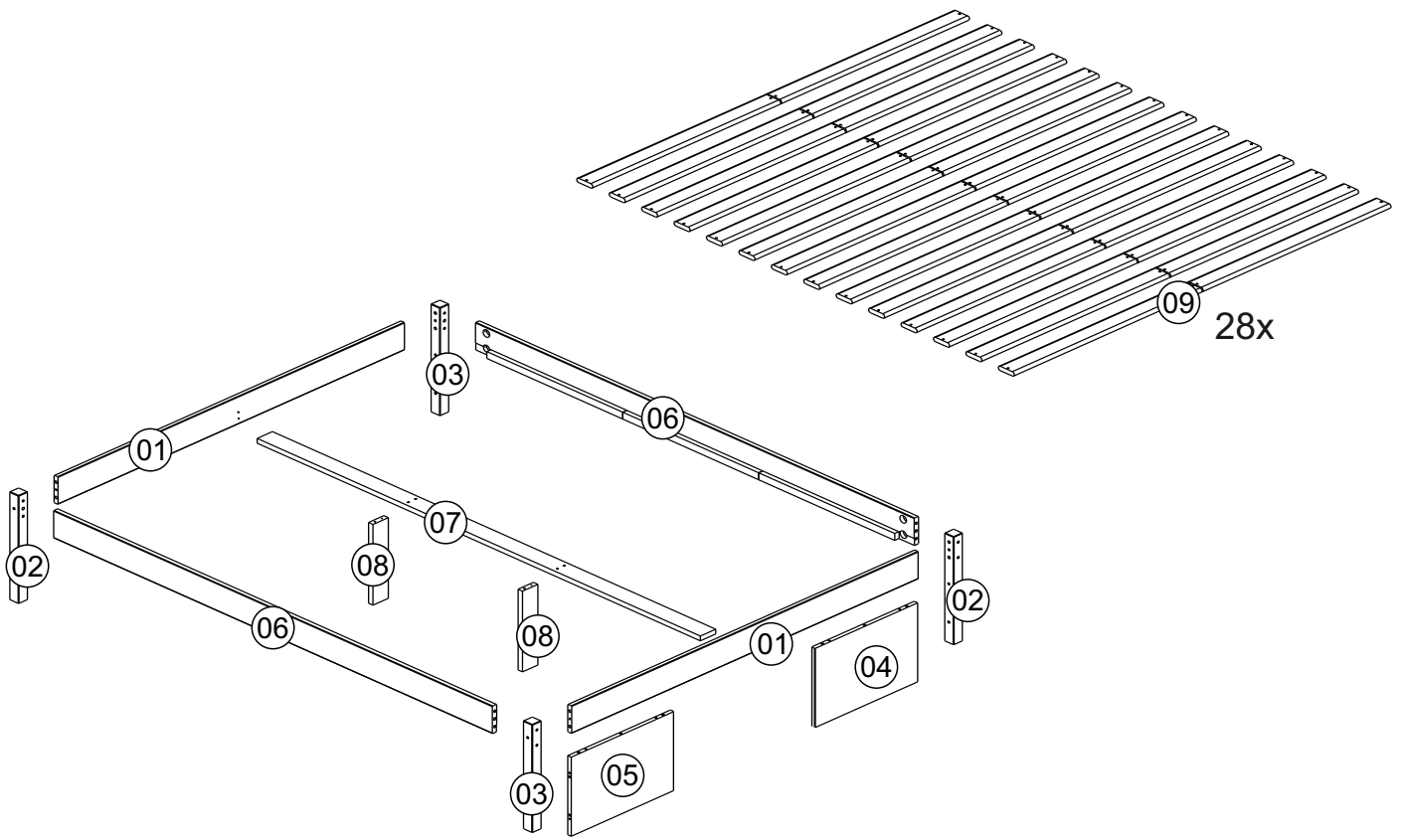
0025470003/08 - NATURFARBEN/SCHWARZ
NATURAL OAK/BLACK

0025470003/09- TAUPE
TAUPE

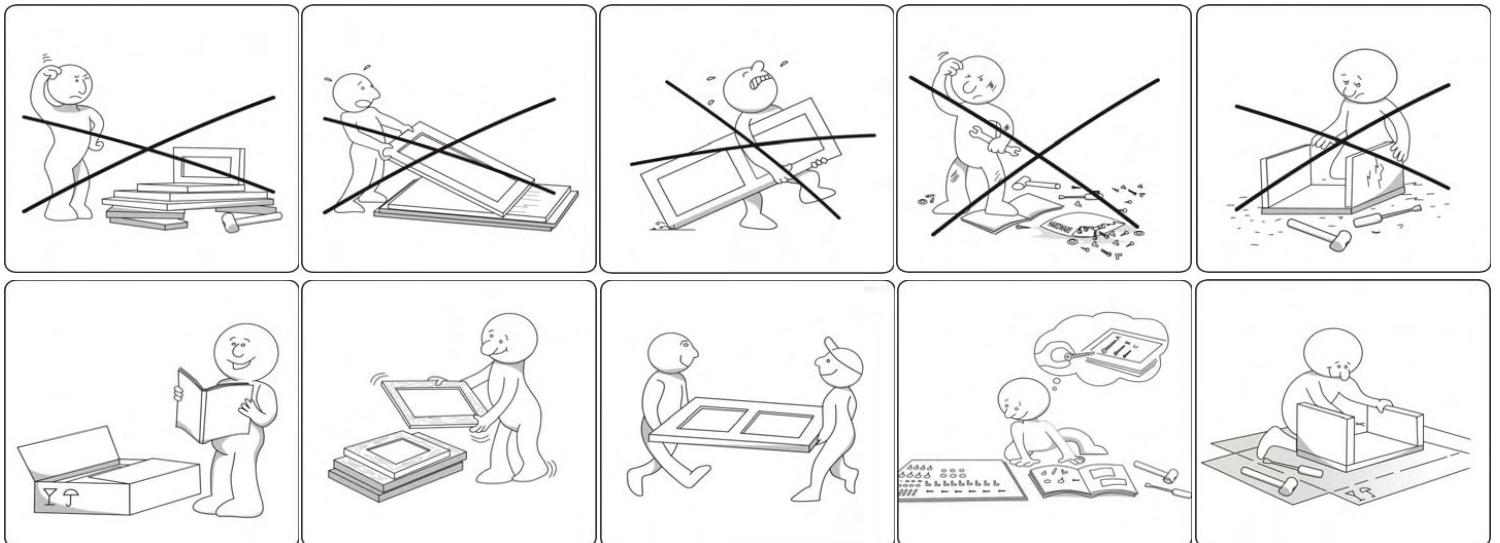




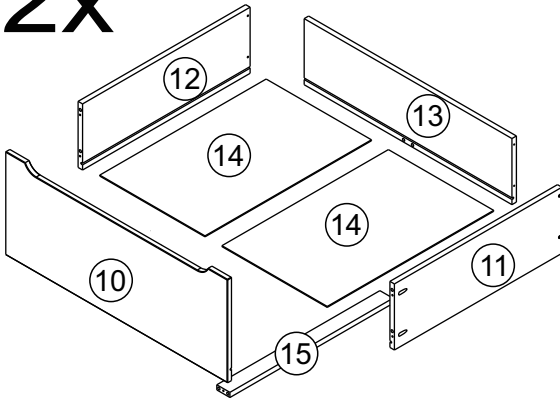
170 MIN.



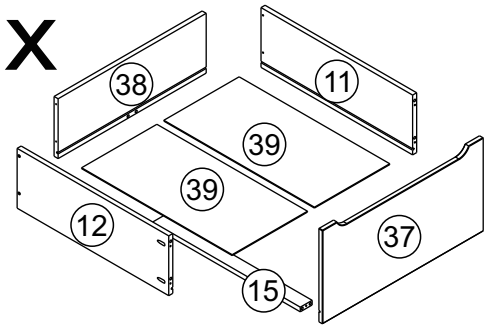
Teil Nummer	Menge	Paket
01	2	1/3
02	2	1/3
03	2	1/3
04	1	1/3
05	1	1/3
06	2	1/3
07	1	1/3
08	2	1/3
09	28	3/3



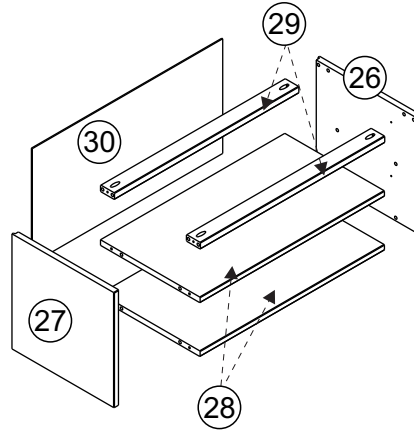
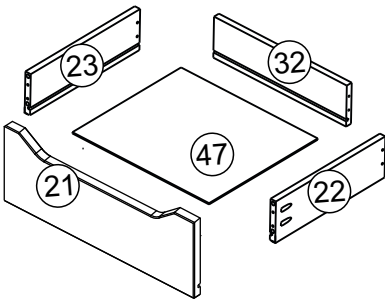
2x



1x

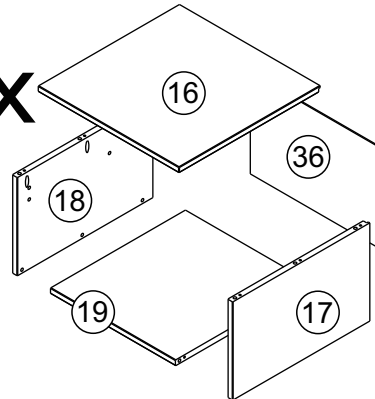


2x

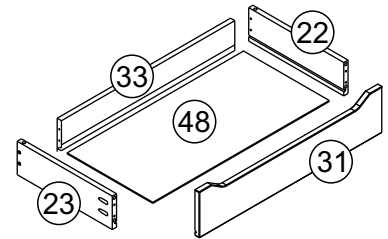


2x

2x

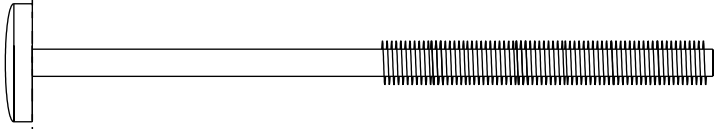
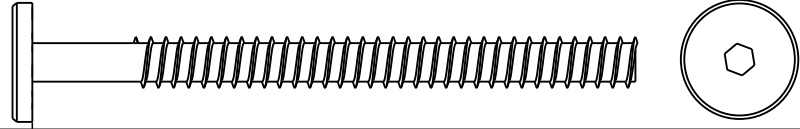




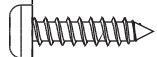
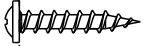





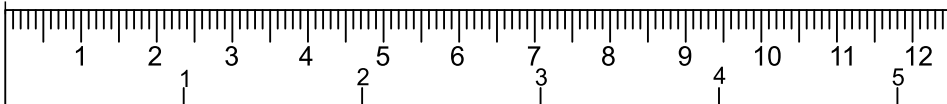
2x

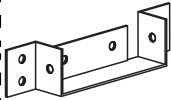
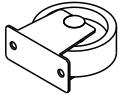
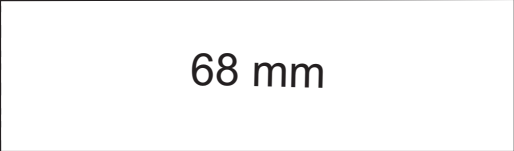
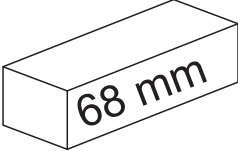

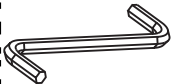
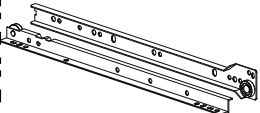
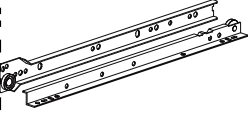


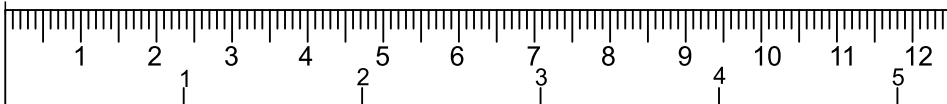
Teil Nummer	Menge	Paket
10	2	1/3
11	2	1/3
11	1	2/3
12	2	1/3
12	1	2/3
13	2	1/3
14	4	2/3
15	2	1/3
15	1	2/3
16	2	2/3
17	2	2/3
18	2	2/3
19	2	2/3
21	2	2/3
22	4	2/3
23	4	2/3

Teil Nummer	Menge	Paket
26	2	2/3
27	2	2/3
28	4	2/3
29	4	2/3
30	2	2/3
31	2	2/3
32	2	2/3
33	2	2/3
36	2	2/3
37	1	2/3
38	1	2/3
39	2	2/3
47	2	2/3
48	2	2/3

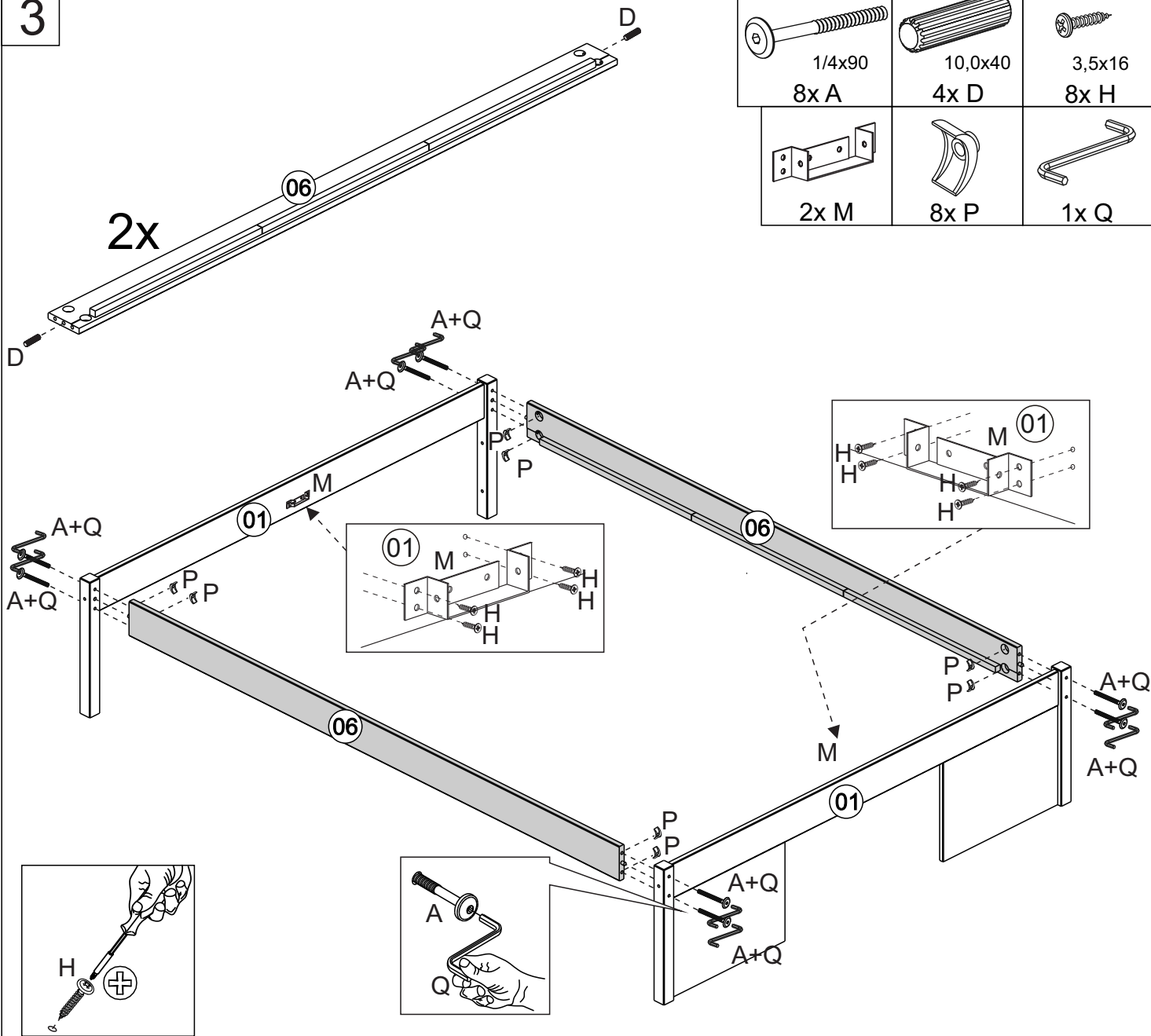
A		1/4x90	08
B		7x80	04
C		4x45	04
D		10x40	12
E		4x30	176
F		8x30	104
H		3,5x16	76
I		3x16	09
J		8x8	88
K		3,5x14	32
L			12



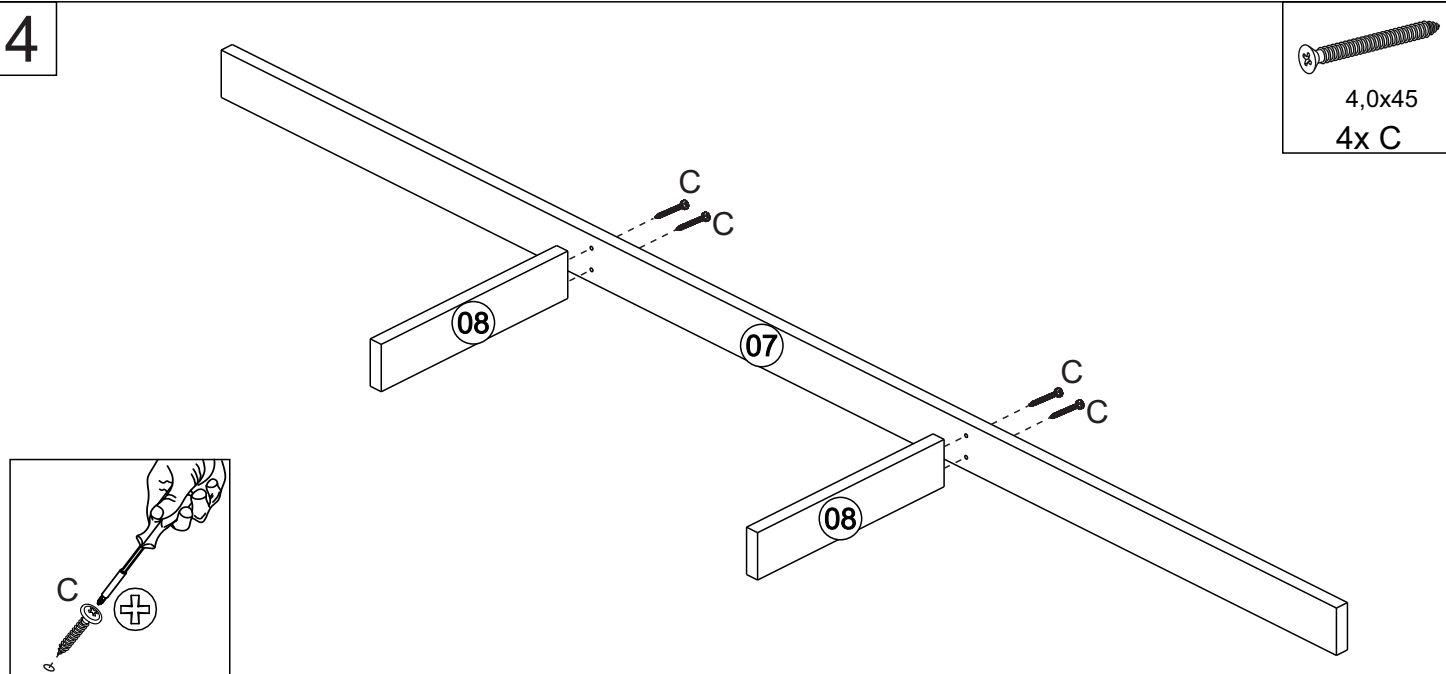
M		02
N		08
O	 	02
P		08
Q		01
R		04
S		04



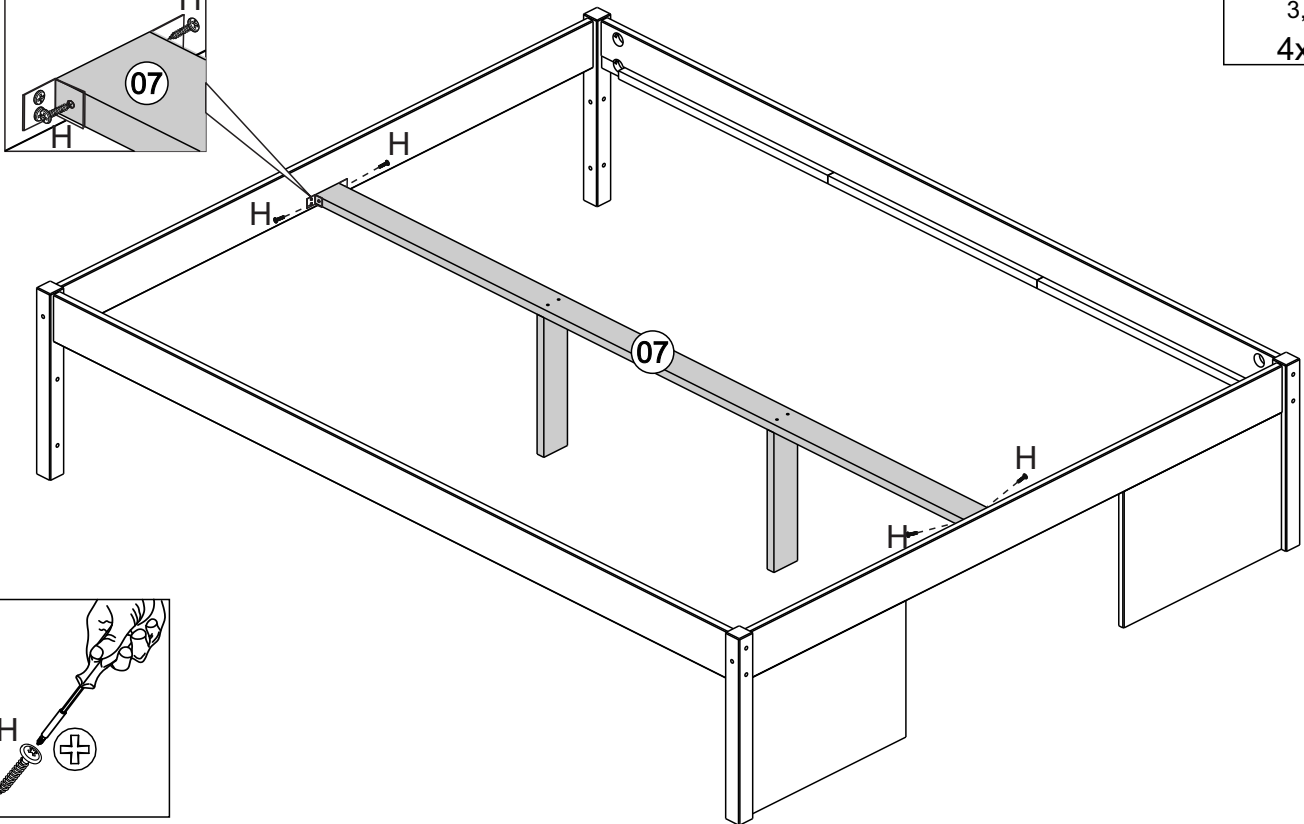
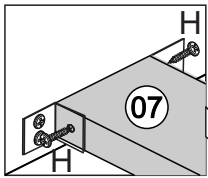
3



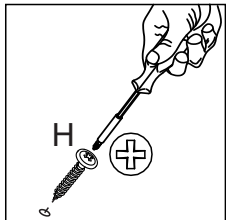
4



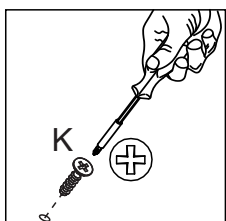
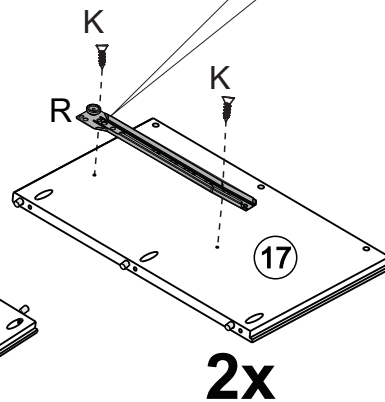
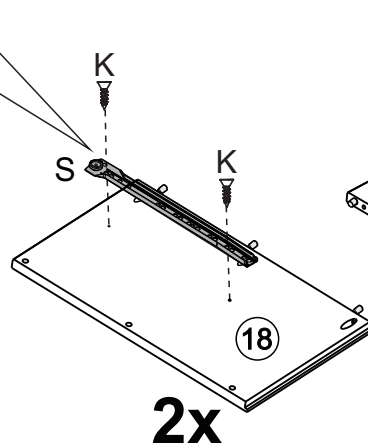
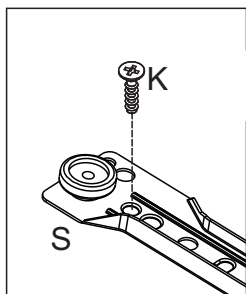
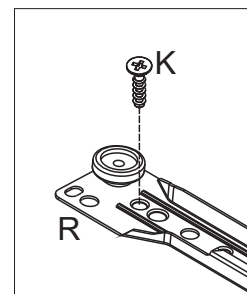
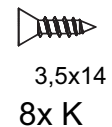
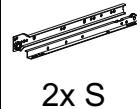
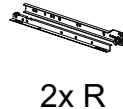
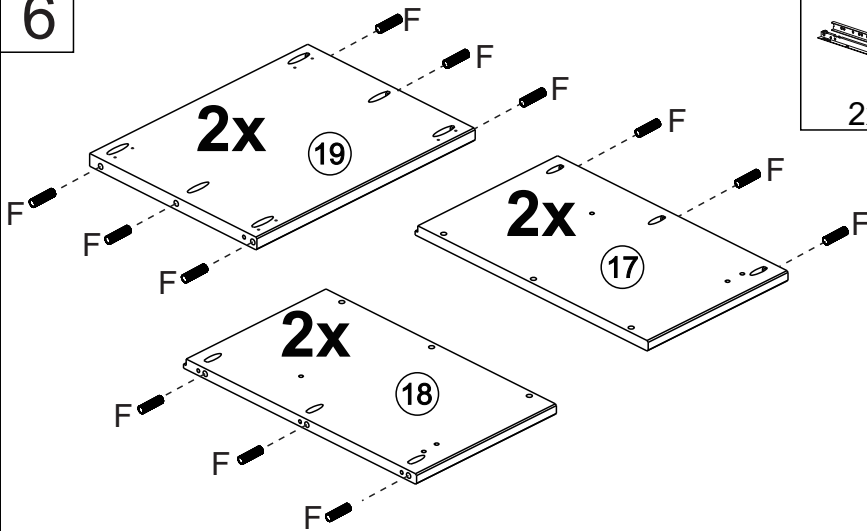
5



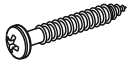
3,5x16
4x H



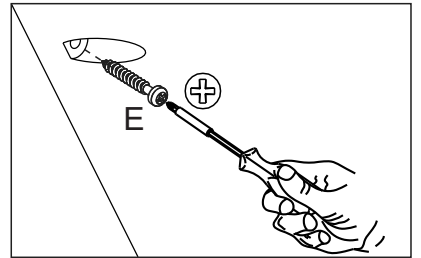
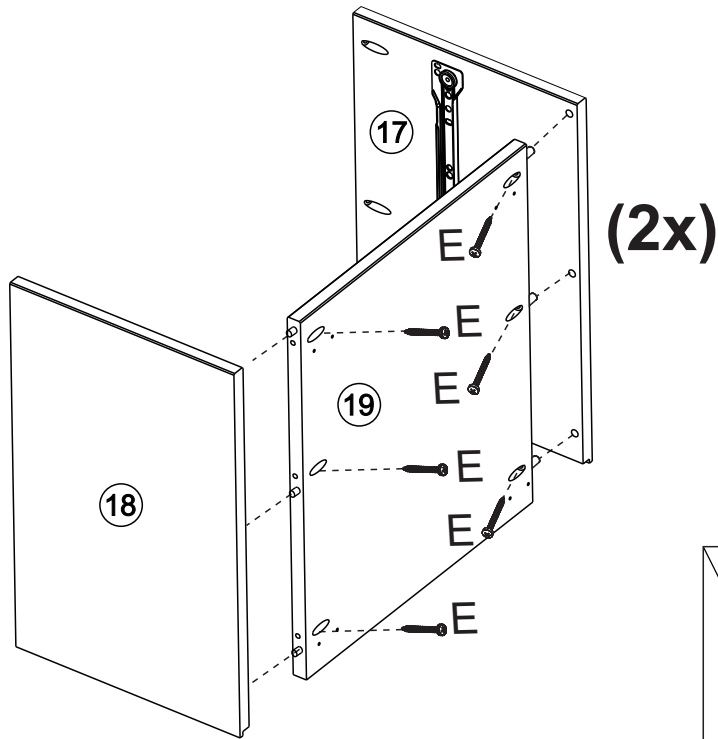
6



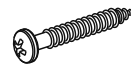
7



4,0x30
12x E



8



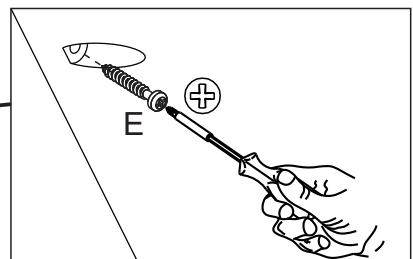
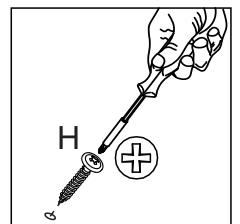
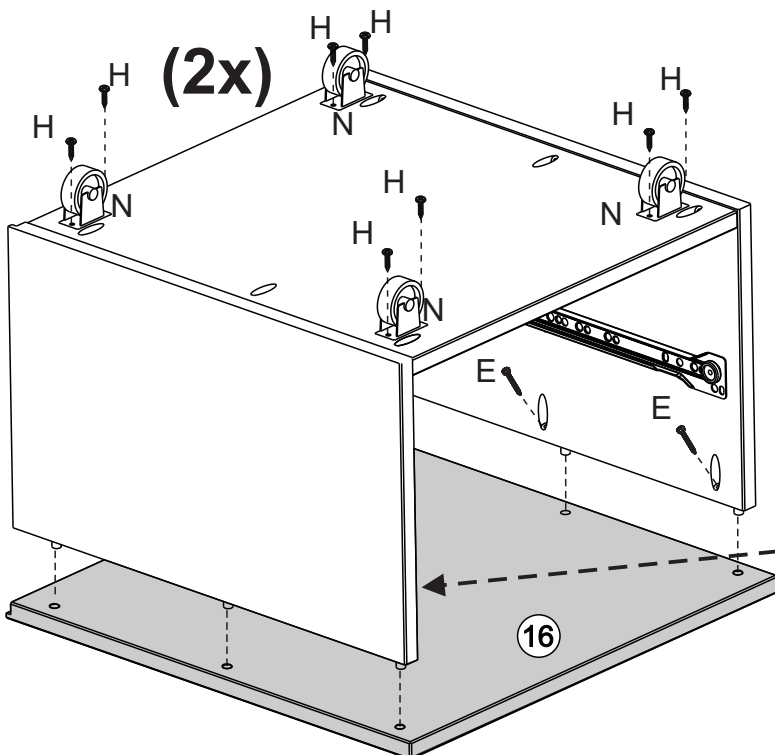
4,0x30
12x E



3,5x16
16x H



8x N

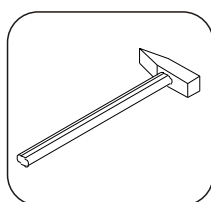
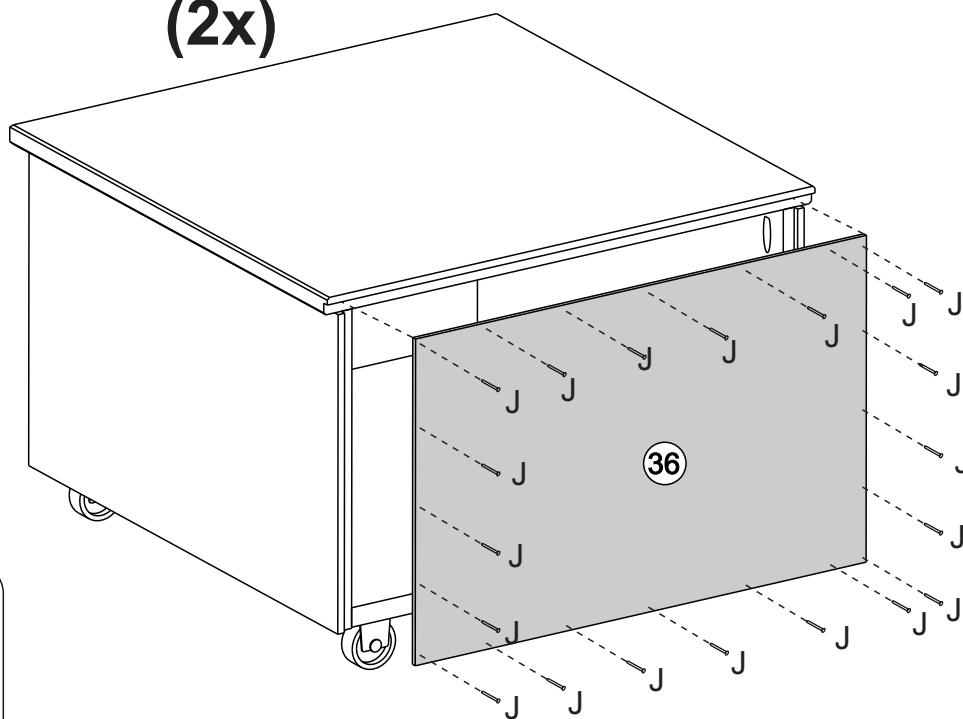


9

(2x)

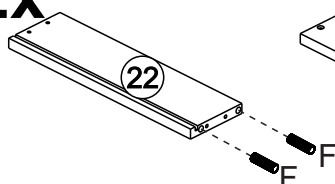


8,0x8
40x J

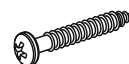
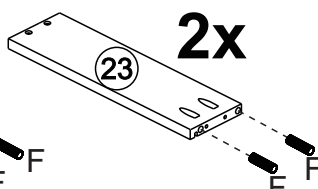


10

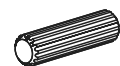
2x



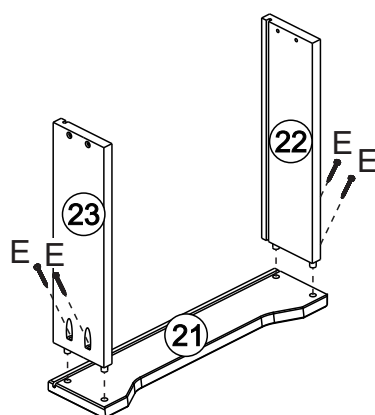
2x



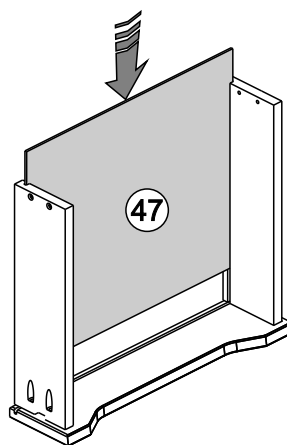
4,0x30
16x E



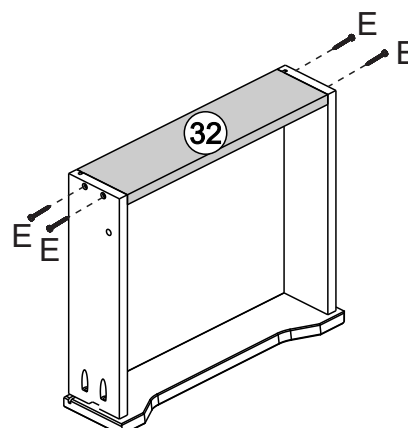
8,0x30
8x F



2x

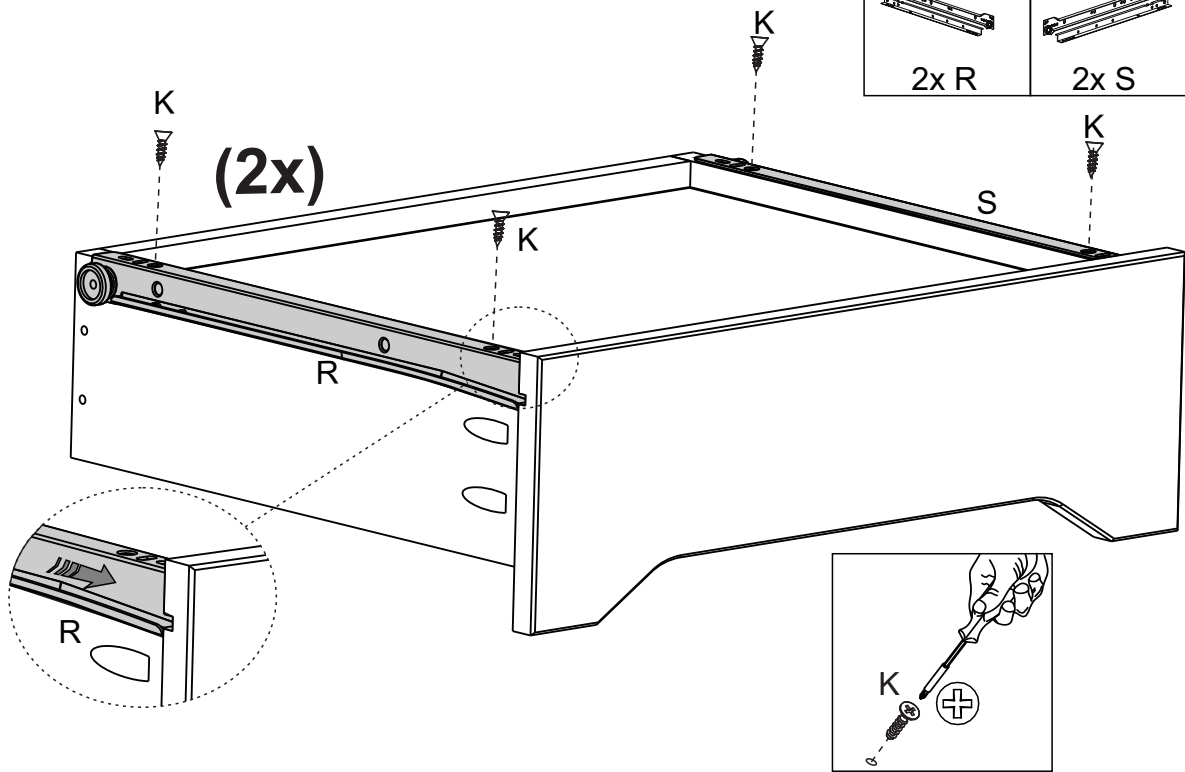


2x

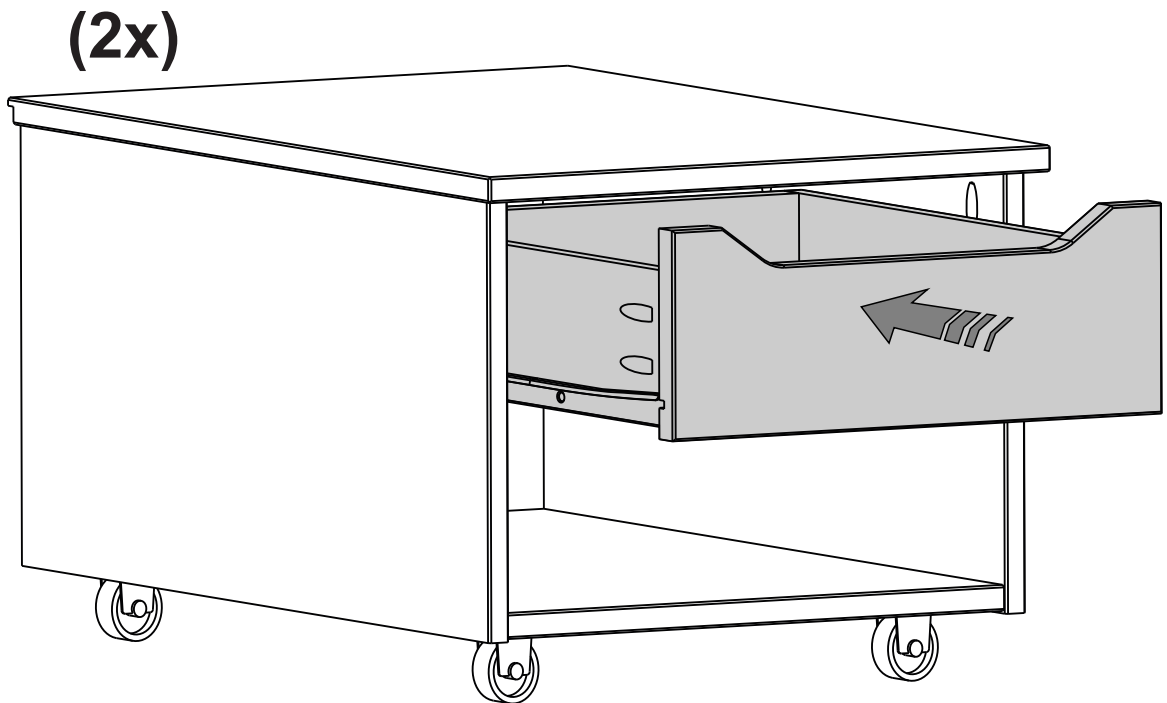


2x

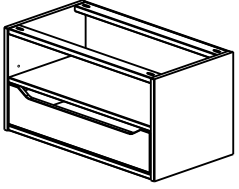
11



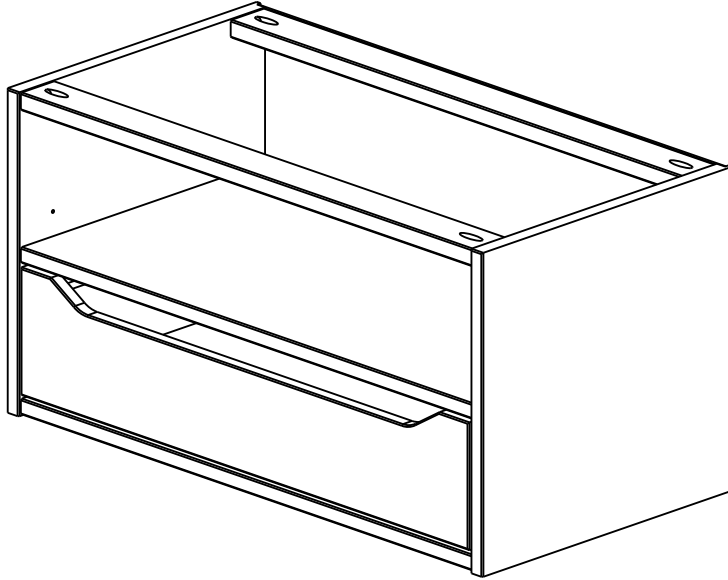
12



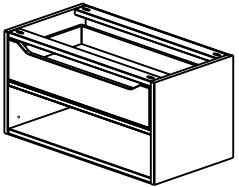
OPTION 1 DRAWER UNIT



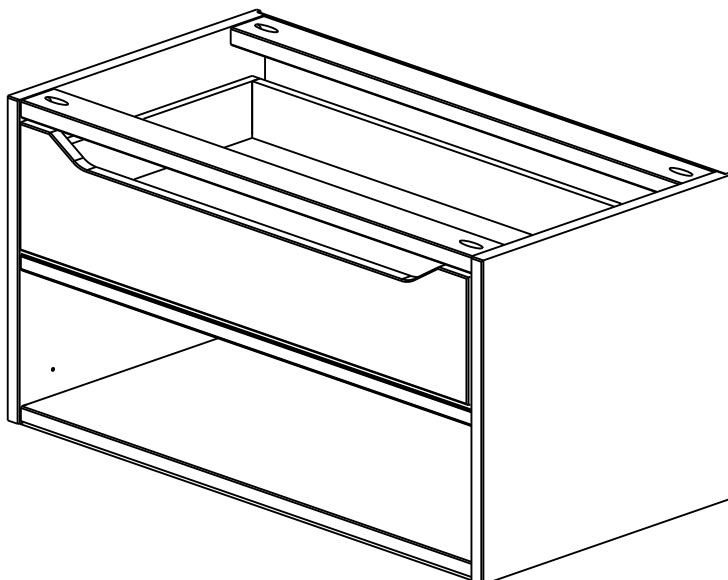
14-15



OPTION 2 DRAWER UNIT



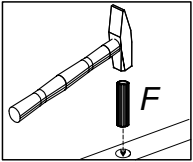
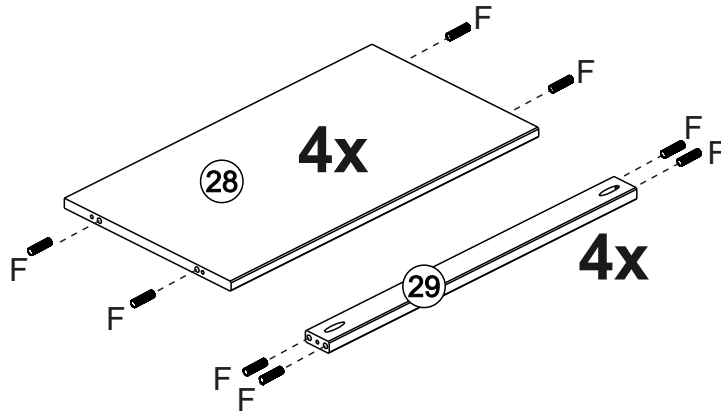
16-16



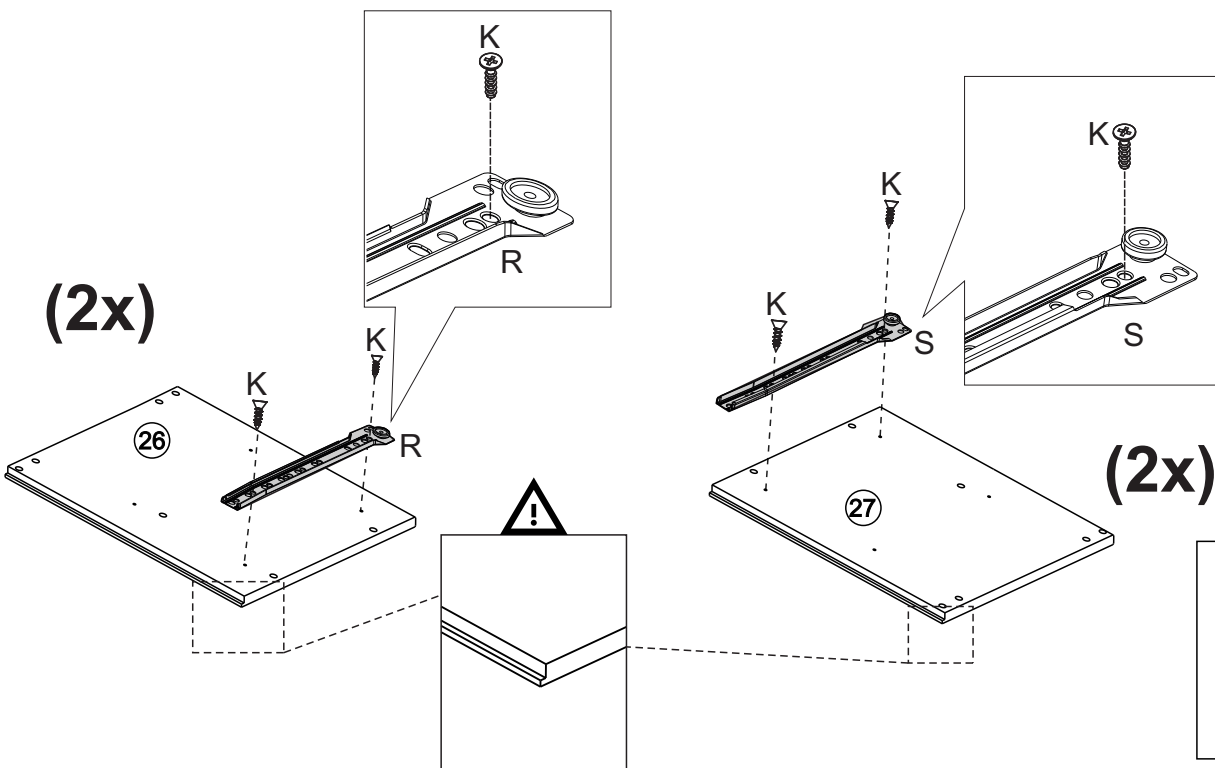
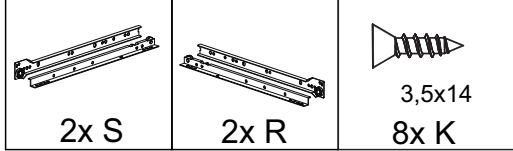
13



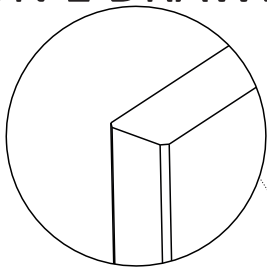
8,0x30
32x F



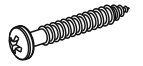
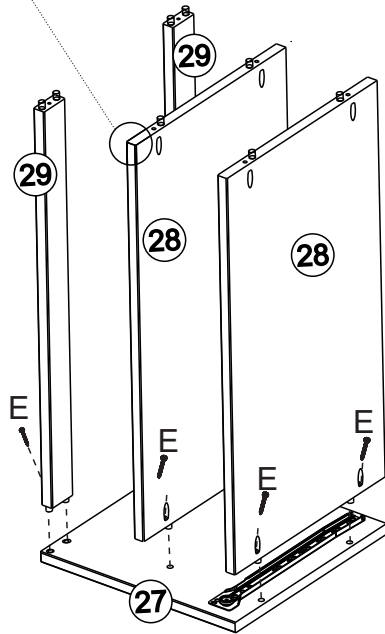
14 OPTION 1 DRAWER UNIT



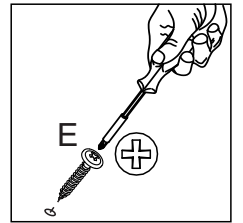
15 OPTION 1 DRAWER UNIT



(2x)

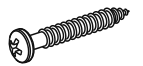
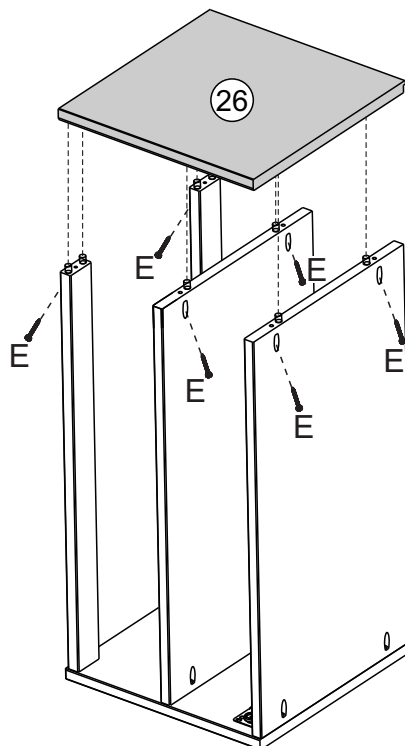


4,0x30
12x E

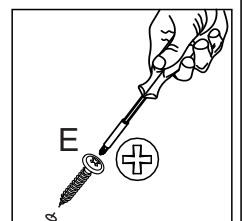


16 OPTION 1 DRAWER UNIT

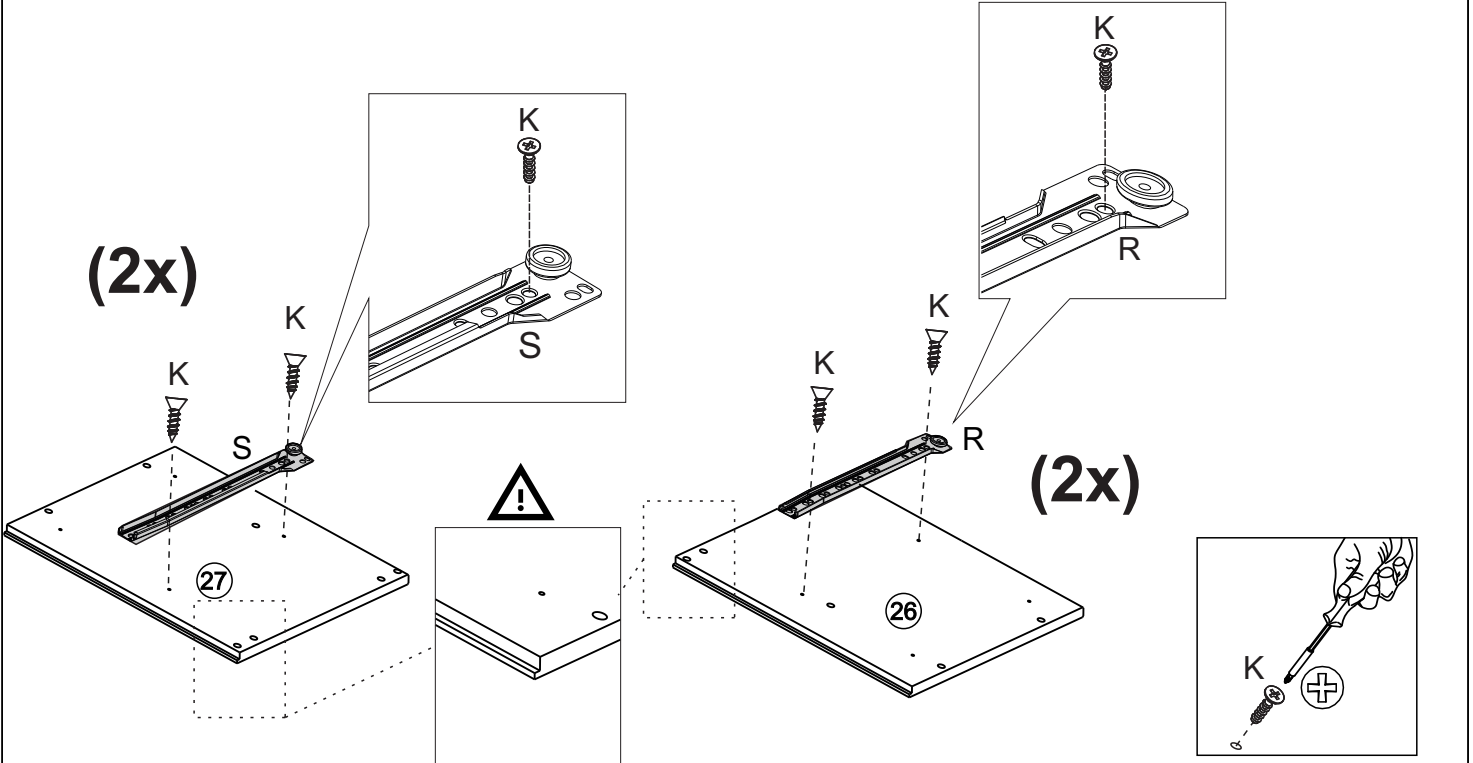
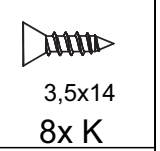
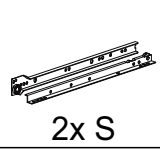
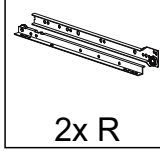
(2x)



4,0x30
12x E

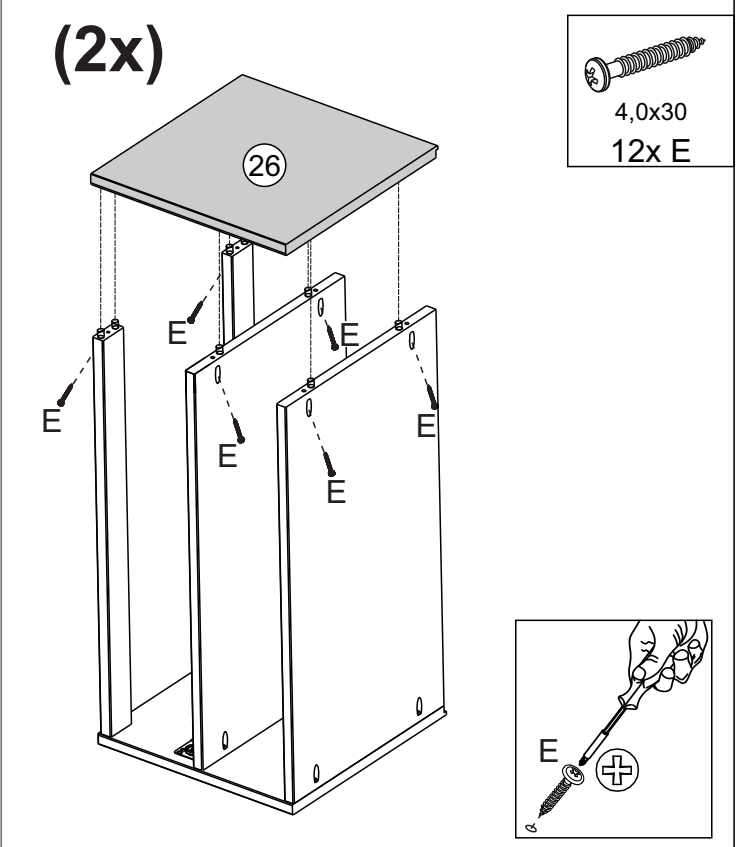
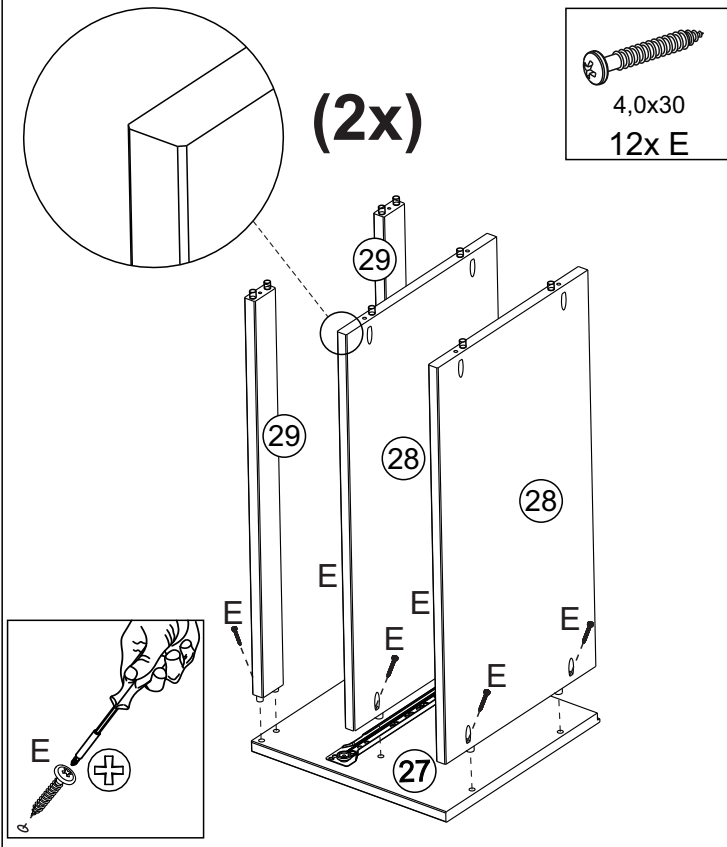


17 OPTION 2 DRAWER UNIT



18 OPTION 2 DRAWER UNIT

19 OPTION 2 DRAWER UNIT

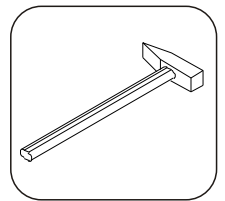
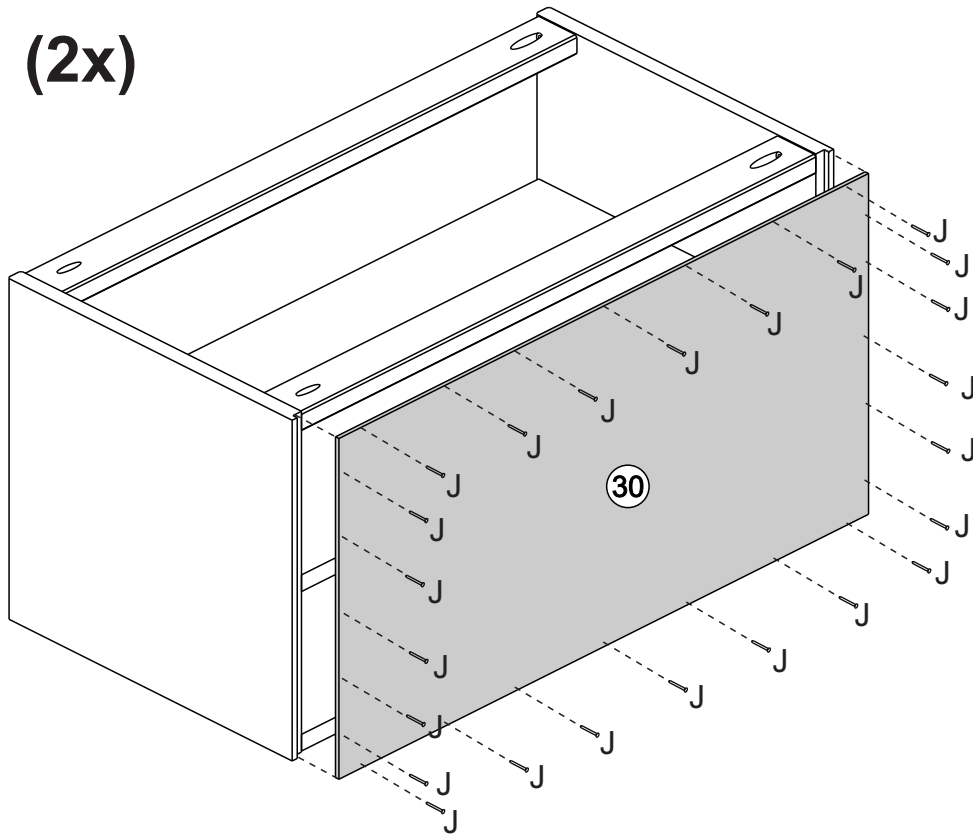


20

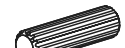
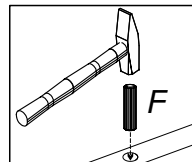
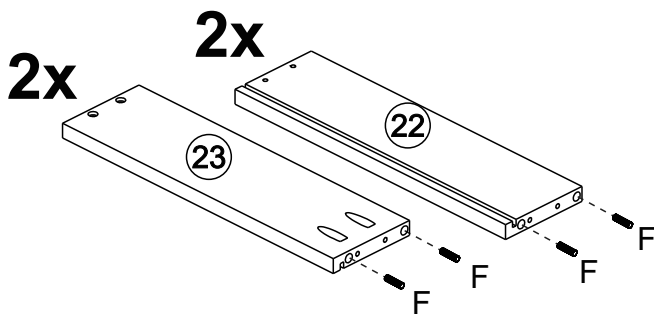


8,0x8
48x J

(2x)



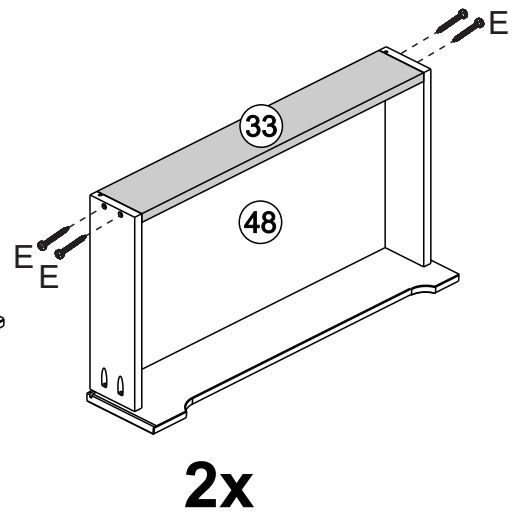
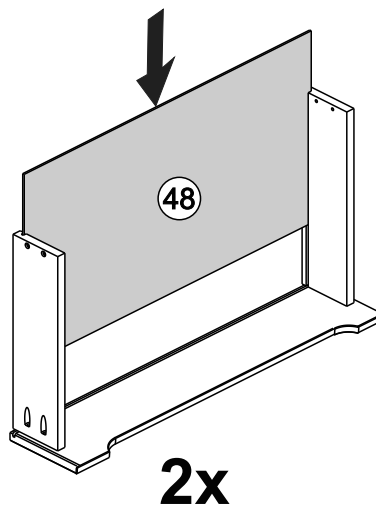
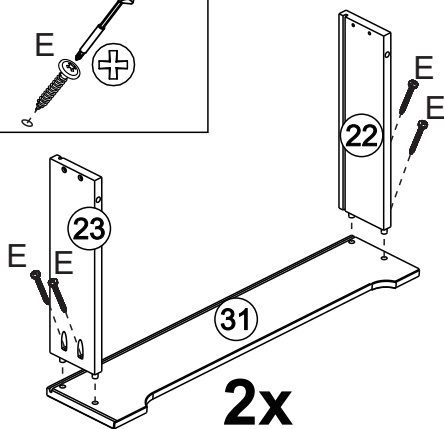
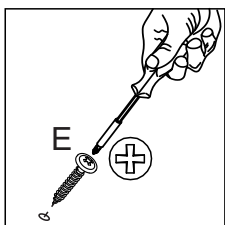
21



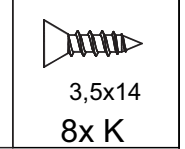
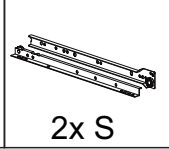
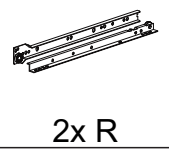
8,0x30
8x F



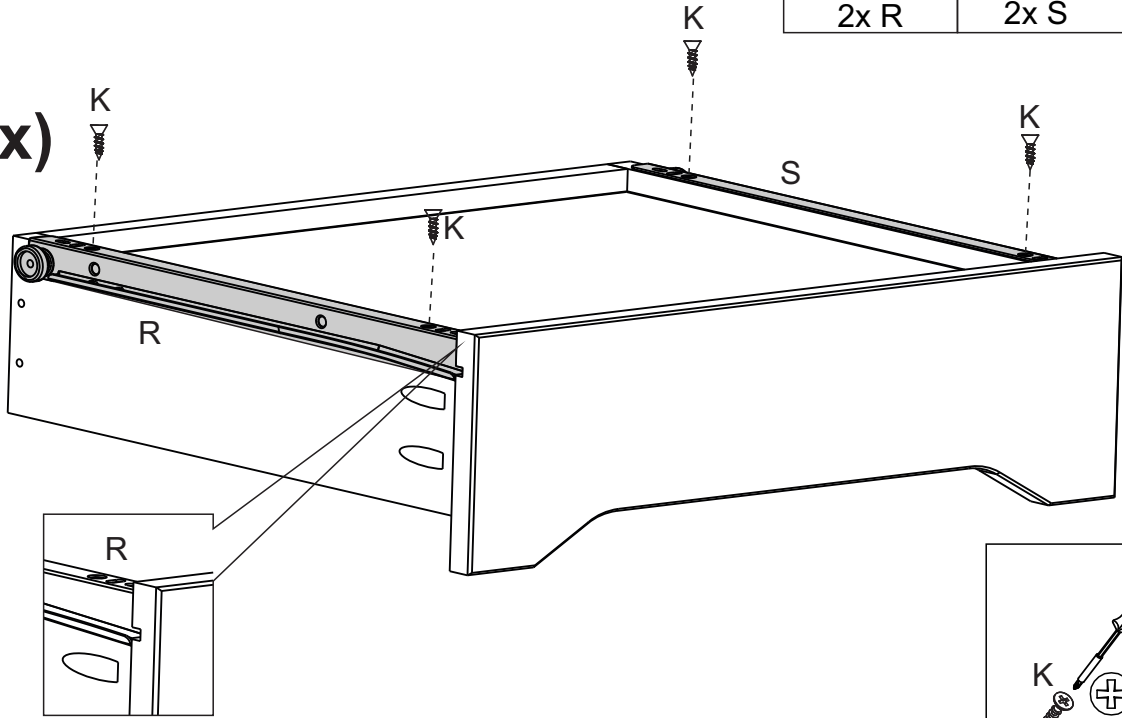
4,0x30
16x E



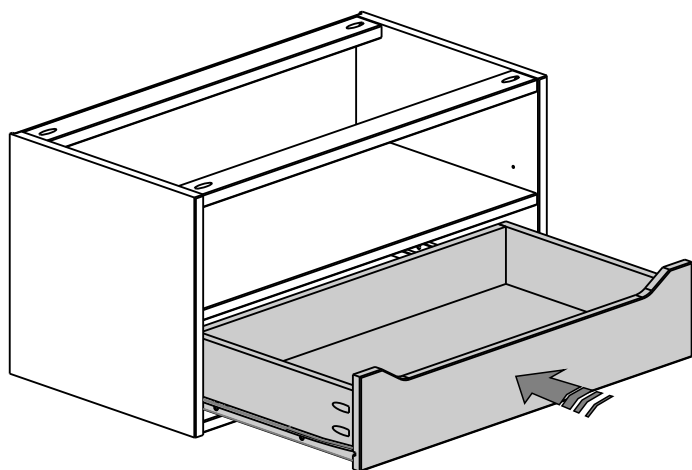
22



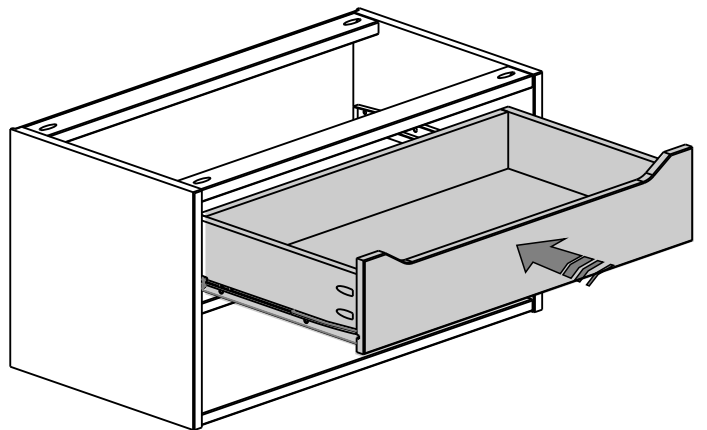
(2x)



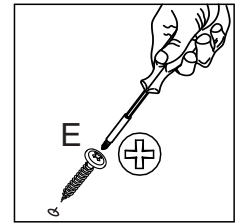
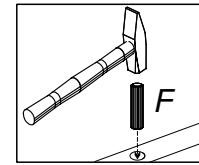
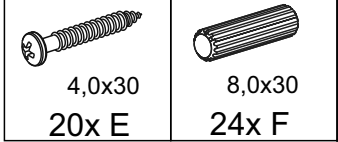
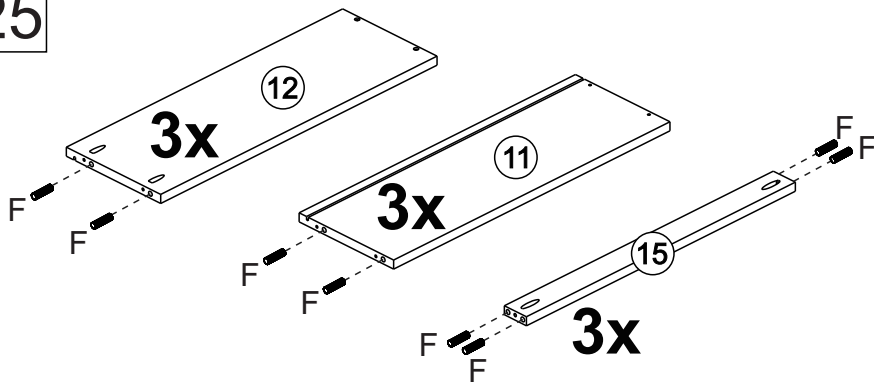
23 OPTION 1 DRAWER UNIT



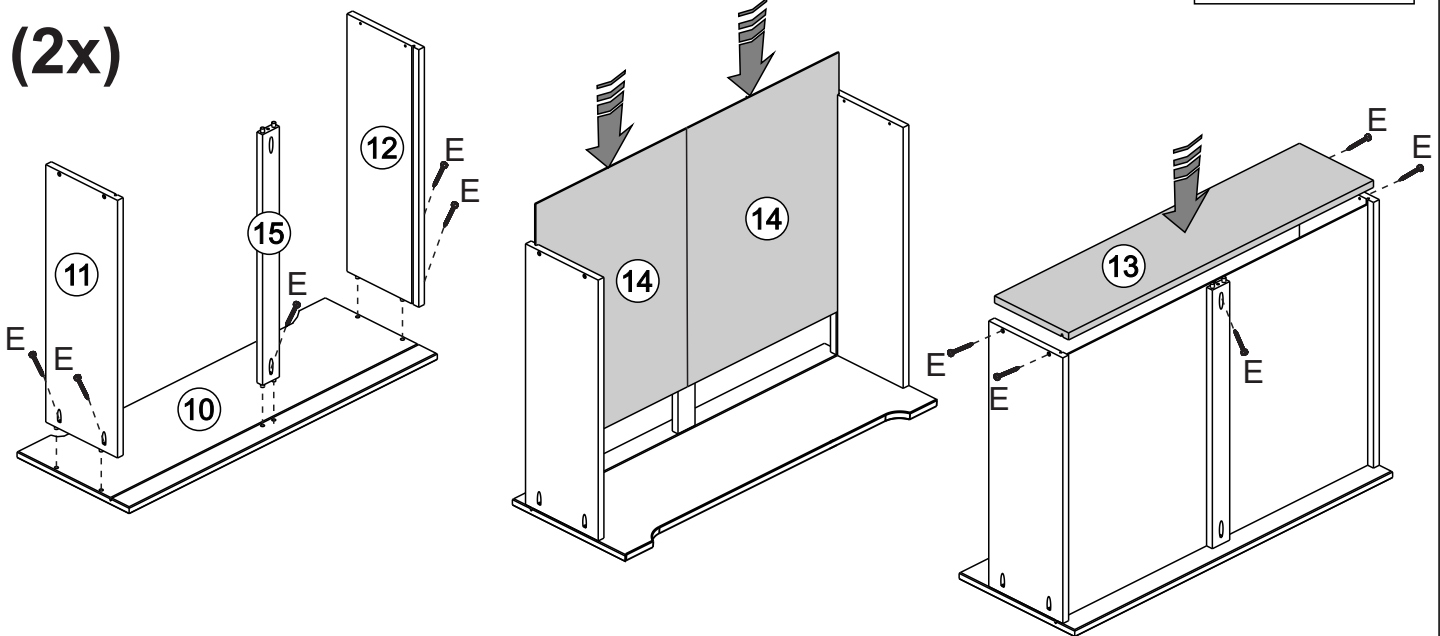
24 OPTION 2 DRAWER UNIT



25

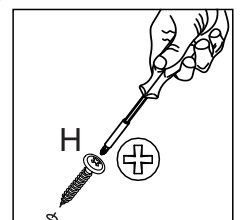
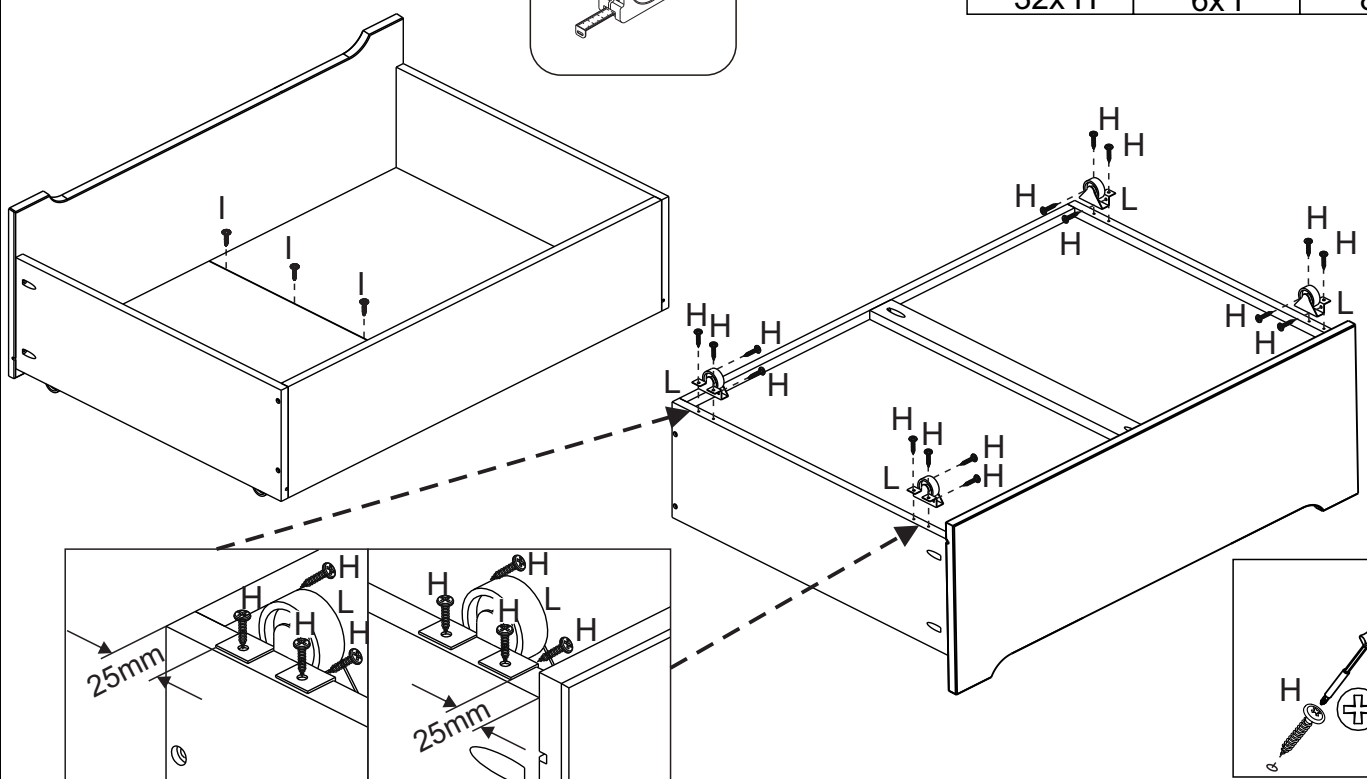
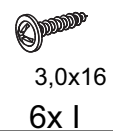
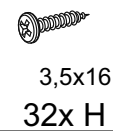
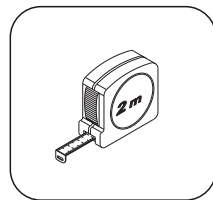


(2x)



26

(2x)

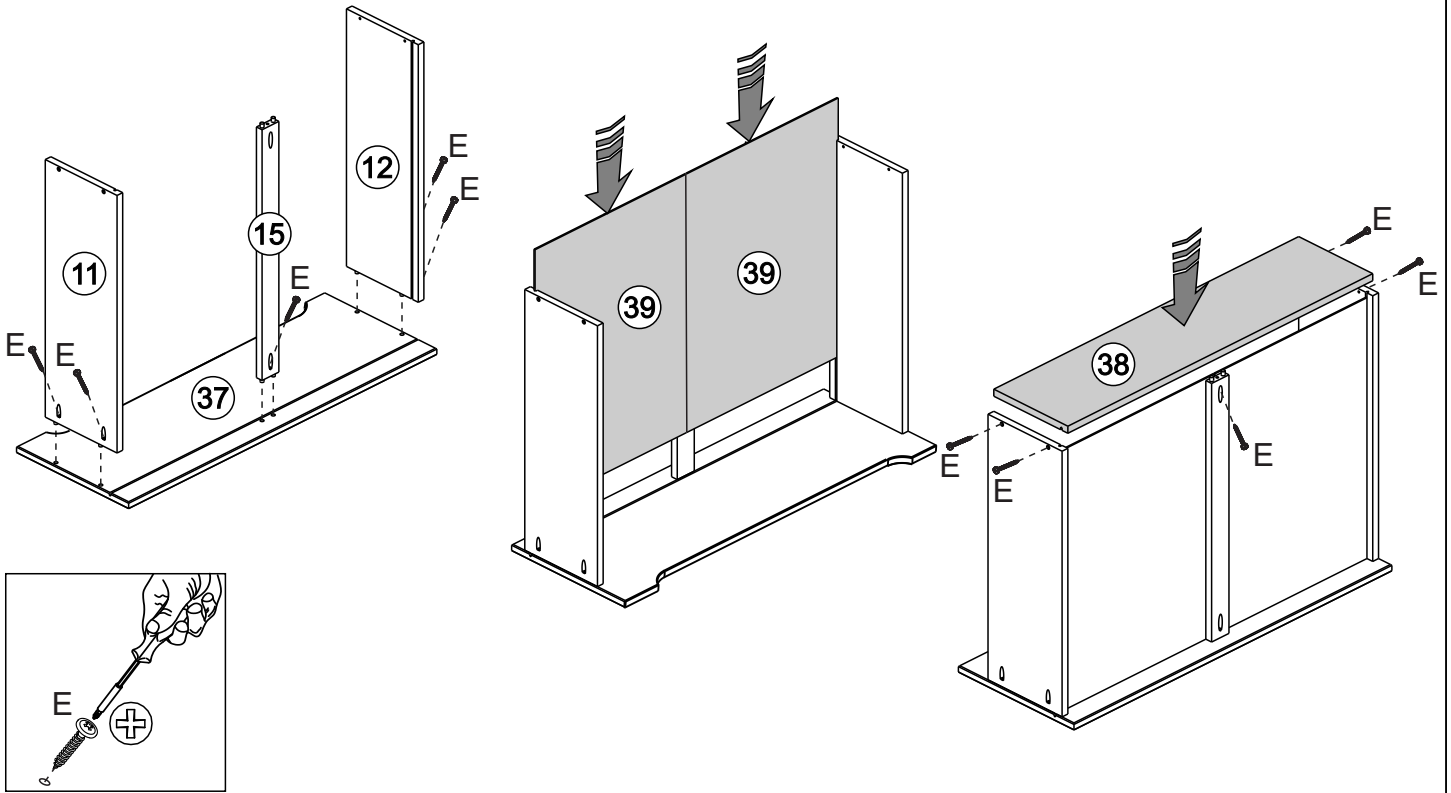


27

(1x)

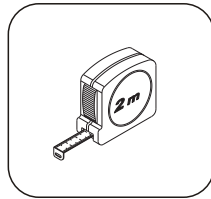


4,0x30
10x E



28

(1x)



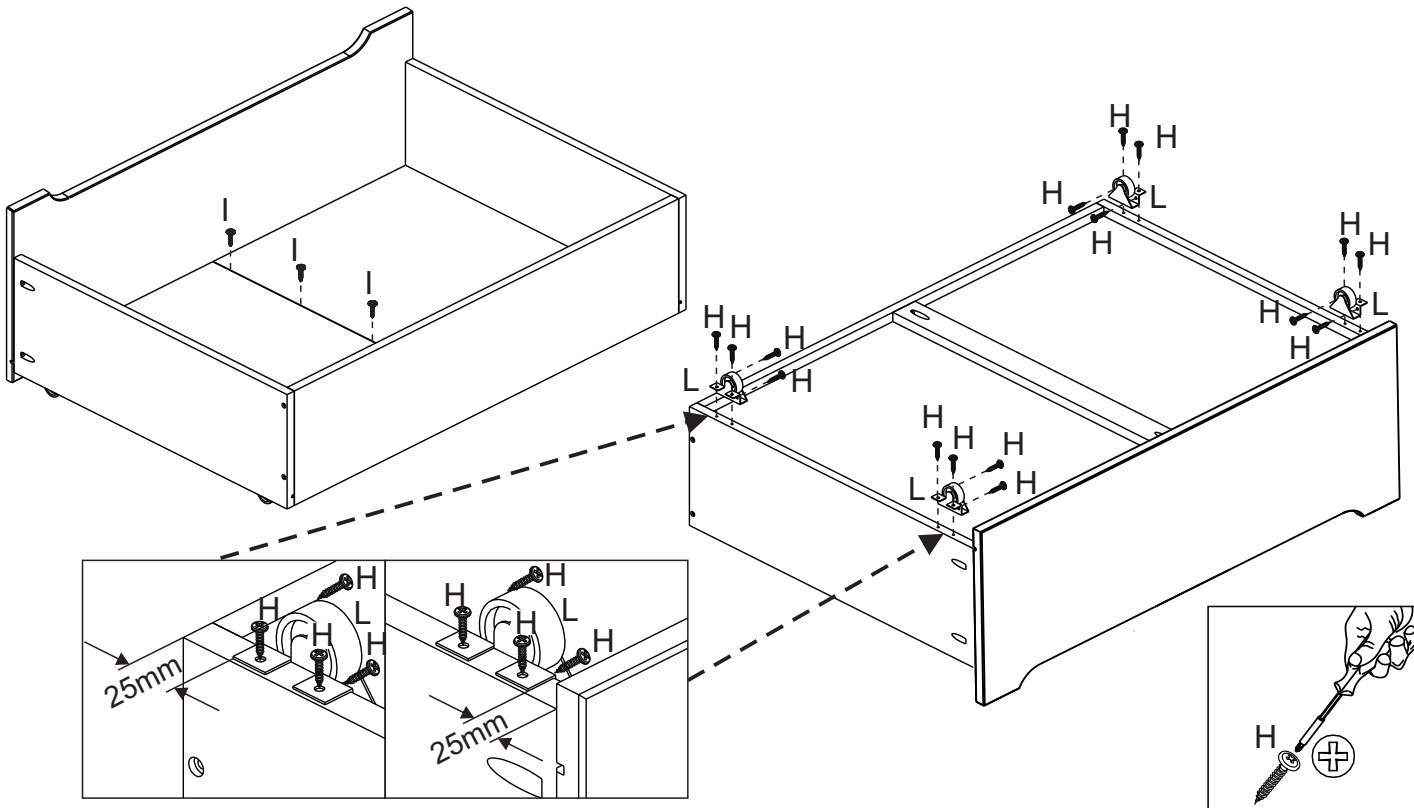
3,5x16
16x H



3,0x16
3x I



4x L



29

4,0x30
56x E

2x O

