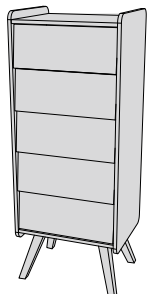


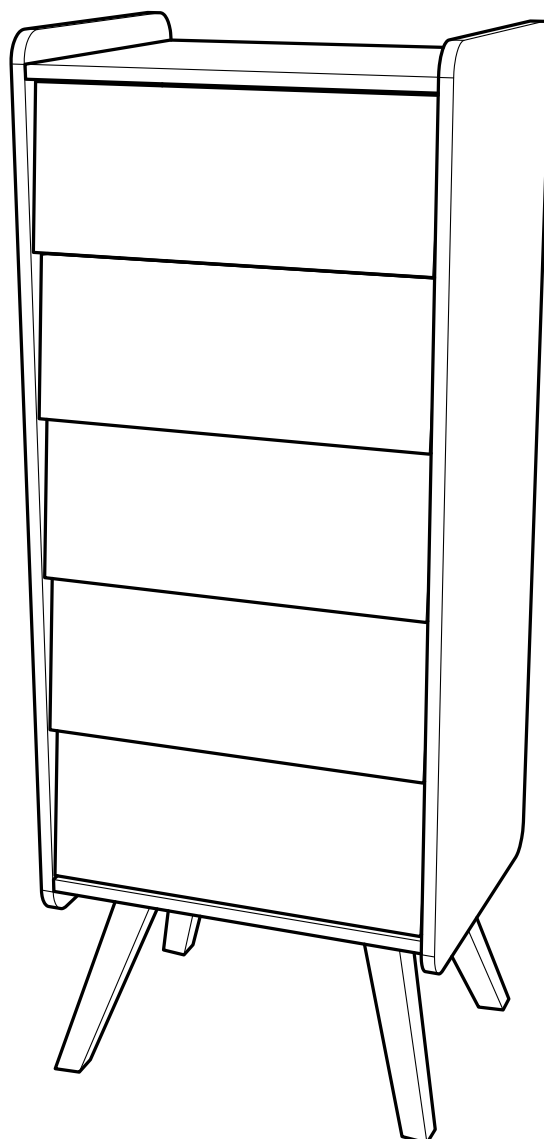
VINTAGE

VOX

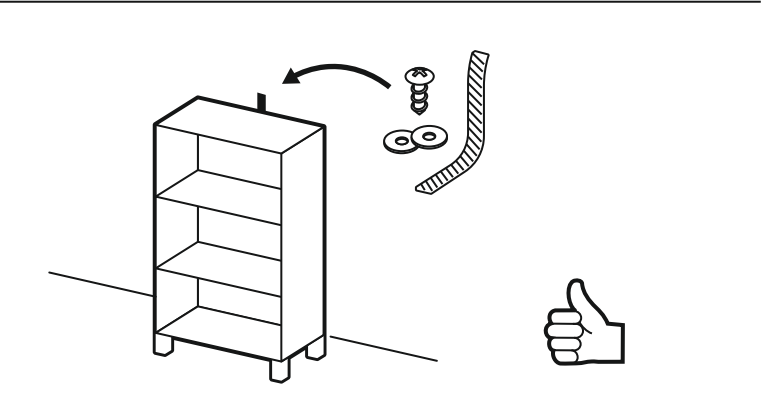
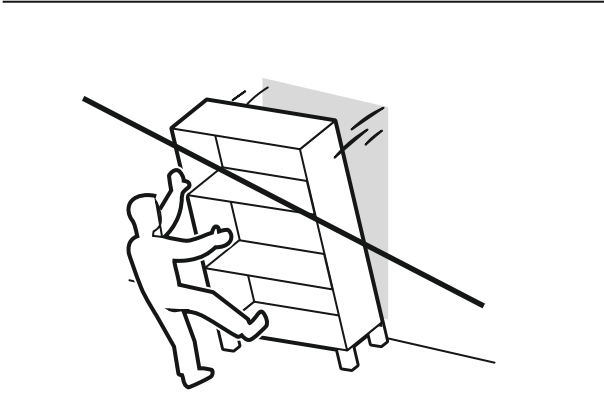
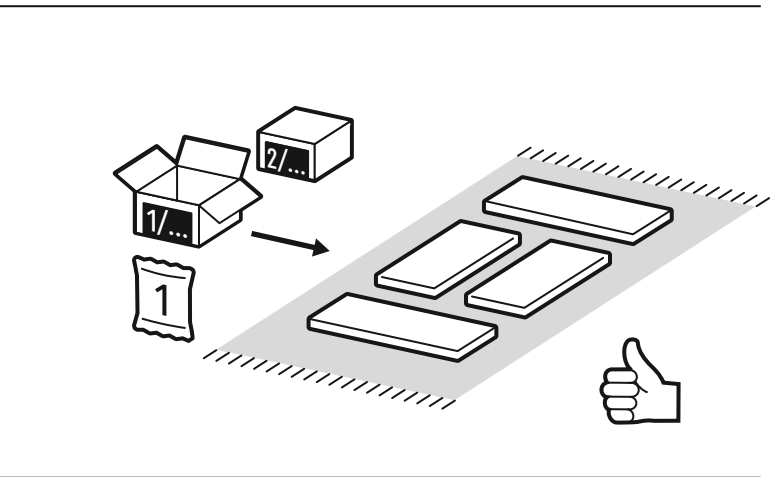
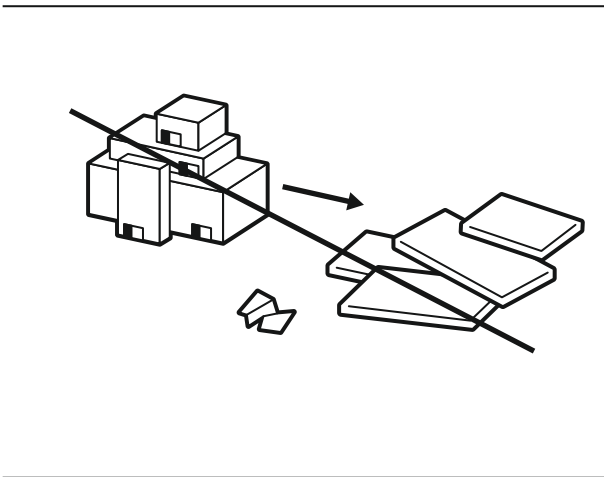
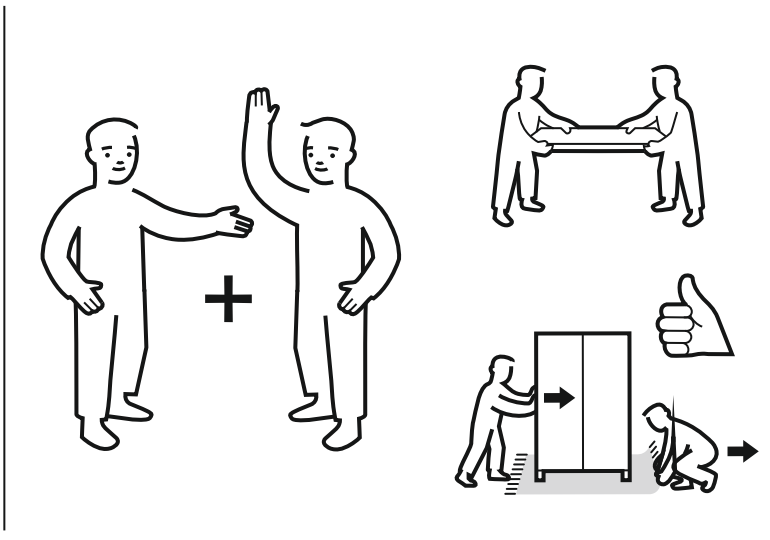
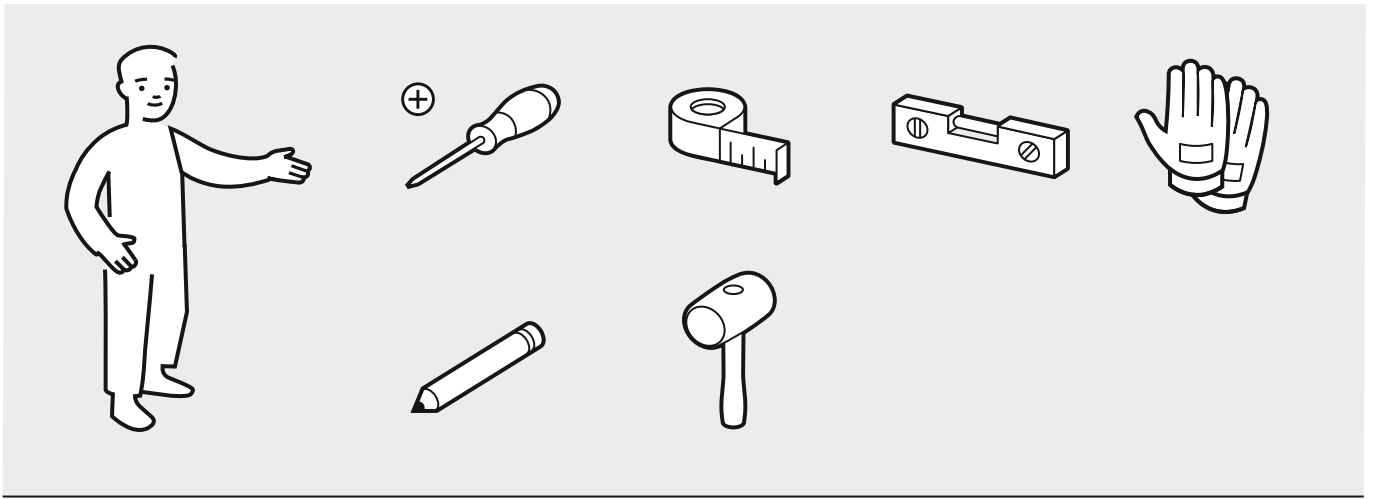
4020118_003

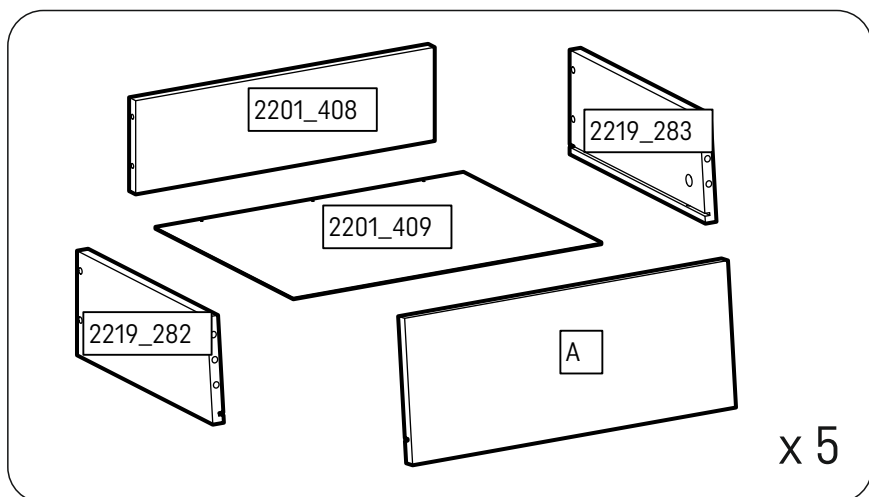
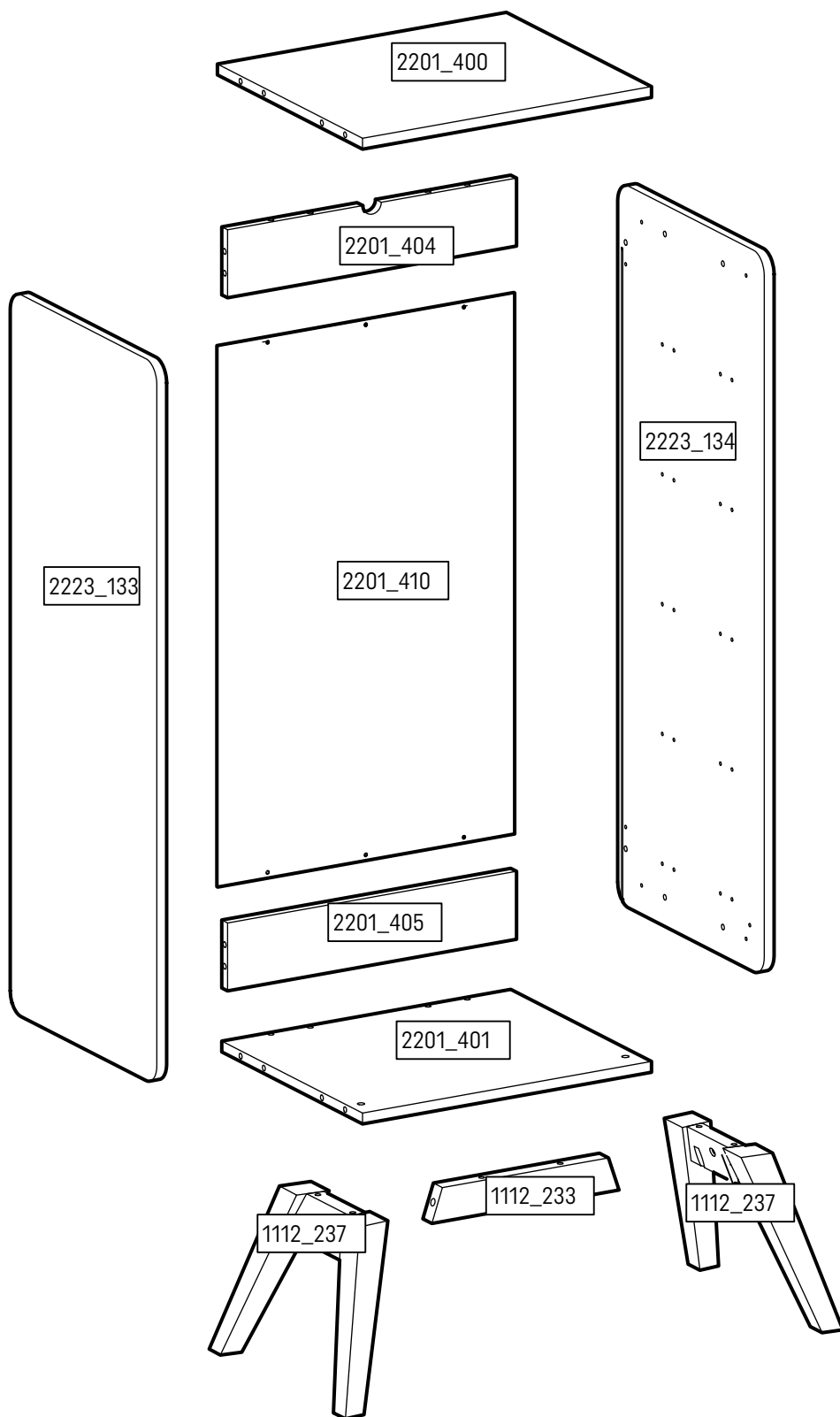
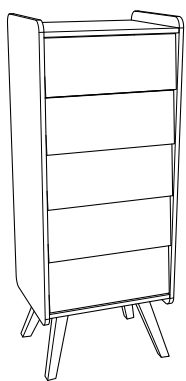


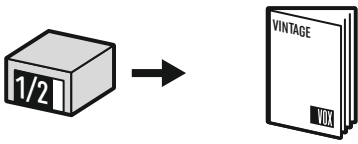
128x51x41 cm
51x20x16"



PL • vox.pl
EU • voxfurniture.com
US • voelkelcorp.com






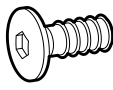
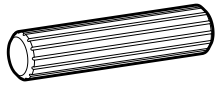
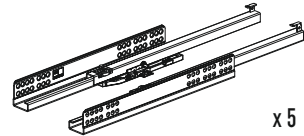
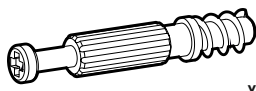
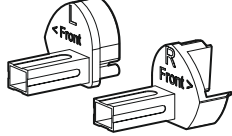
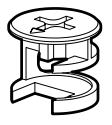


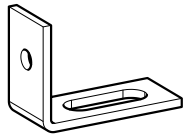

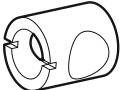
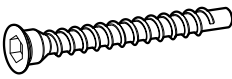
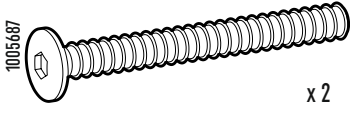
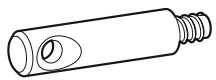

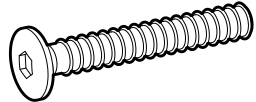



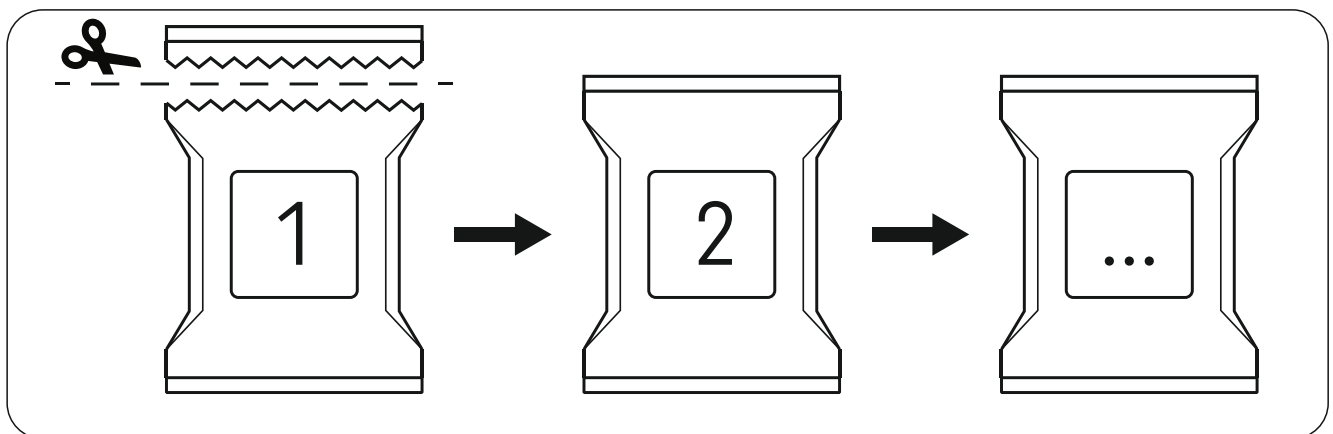


- | | | | | | |
|----------|----|----------|----|----------|----|
| 2201_405 | x1 | 2201_400 | x1 | 2201_408 | x5 |
| 2201_401 | x1 | 2201_404 | x1 | 2201_409 | x5 |
| A | x5 | 1112_237 | x2 | | |



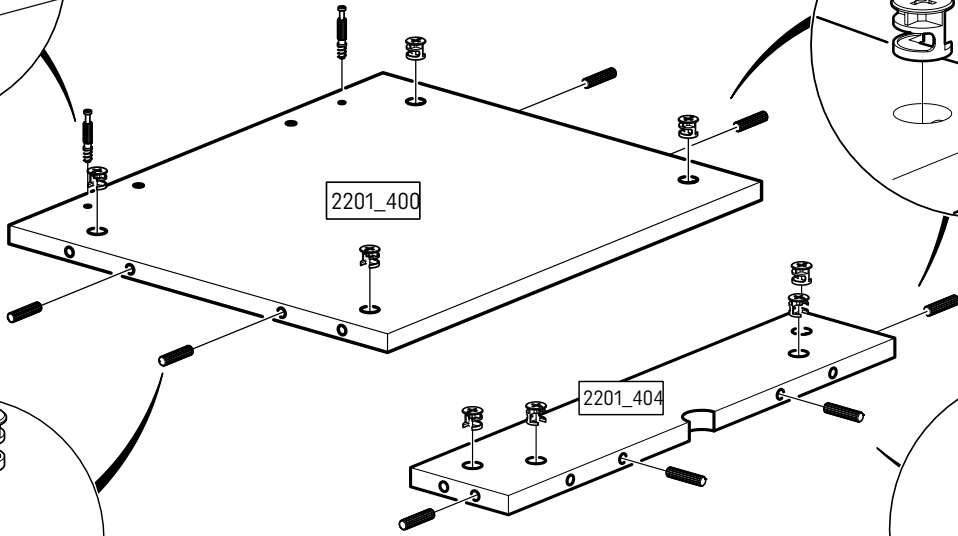
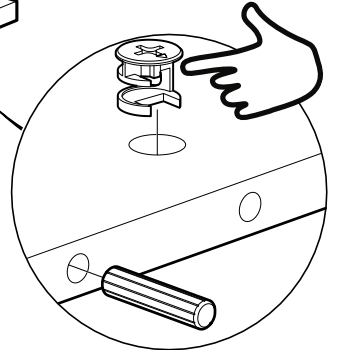
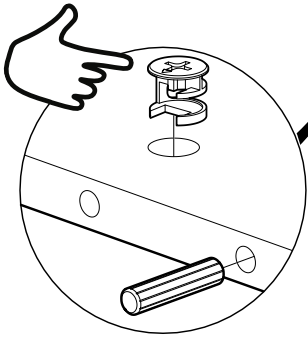
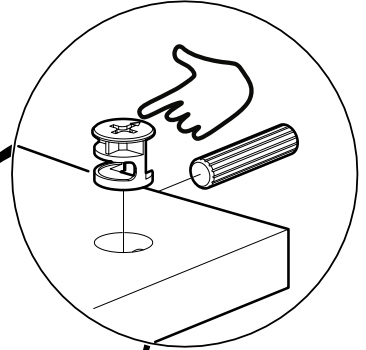
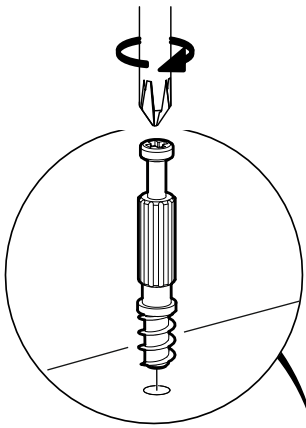
- | | | | |
|----------|----|----------|----|
| 2219_282 | x5 | 2223_133 | x1 |
| 2219_283 | x5 | 2223_134 | x1 |
| 2201_410 | x1 | 1112_233 | x1 |

1000806  x1	1111440  x1	1000893  x1	1006055  x2
1005657  x26	1131115  x5	1006091  x34	1131155  x5
1005367  x34	1109474  x2	1006012  x21	1000987  x2
1005713  x40	1109473  x2	1005876  x22	1005687  x2
1107571  x2	1006022  x4	1005377  x4	1005464  x2

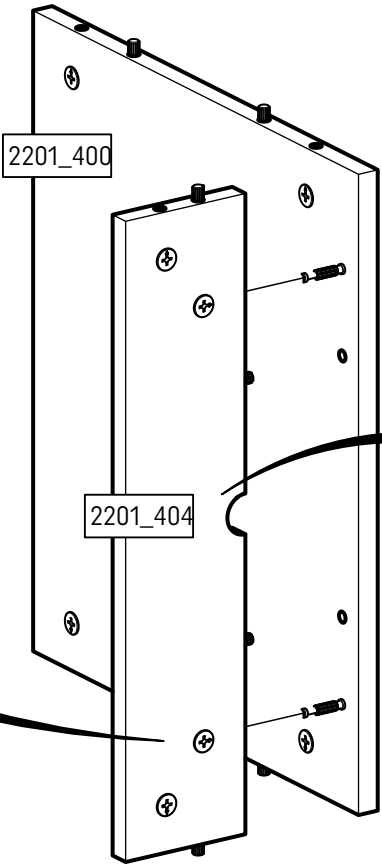
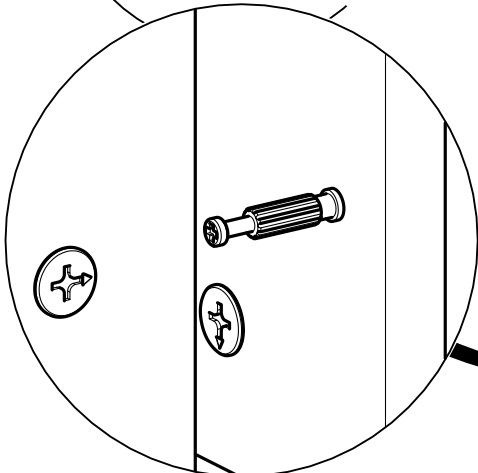
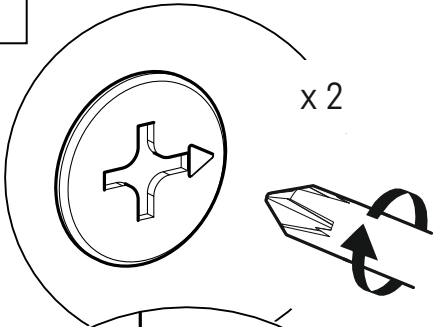


1




1	1005857 x 8	1006091 x 2
		1005367 x 8

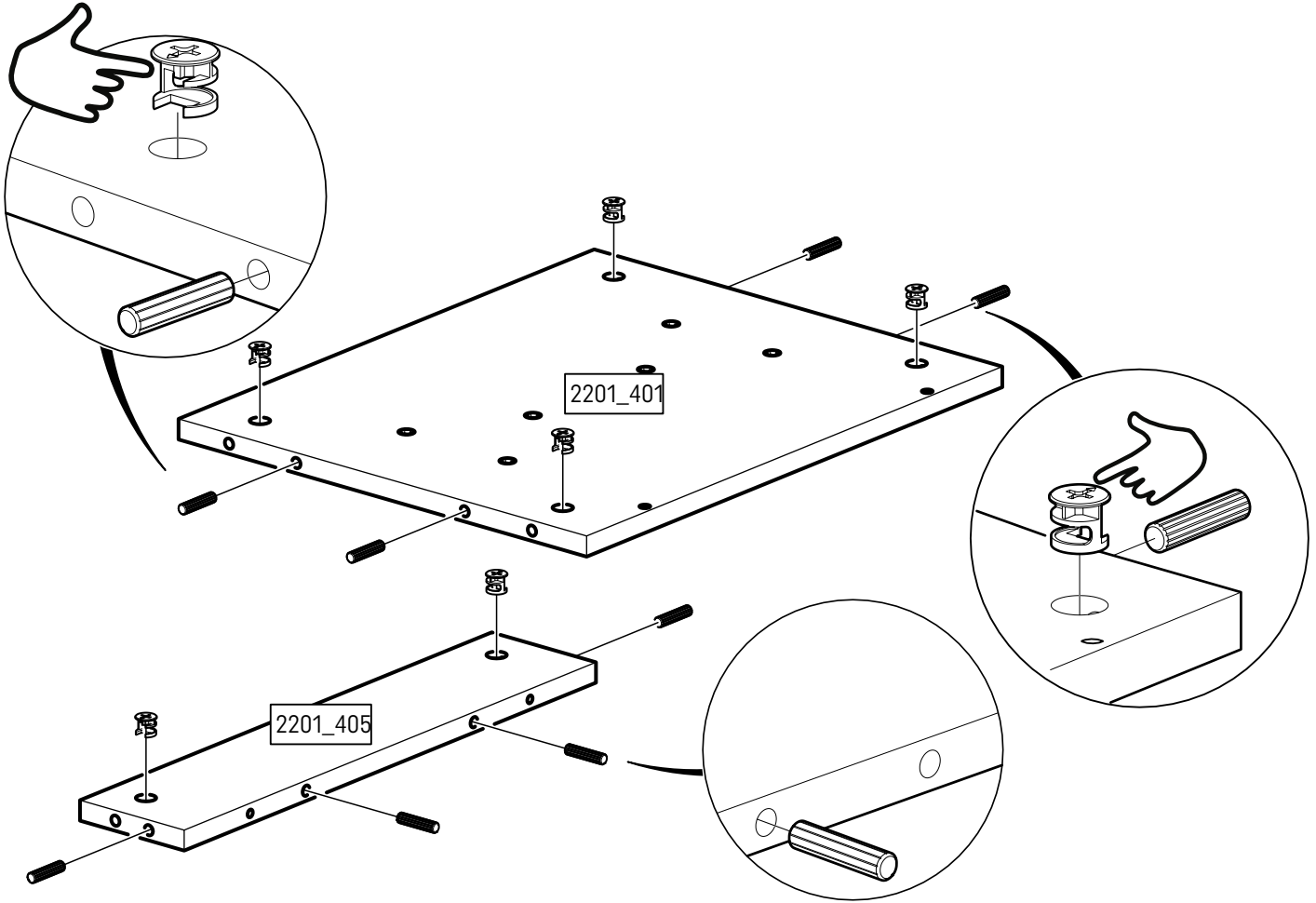


2


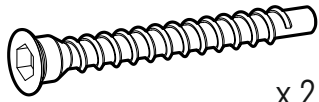


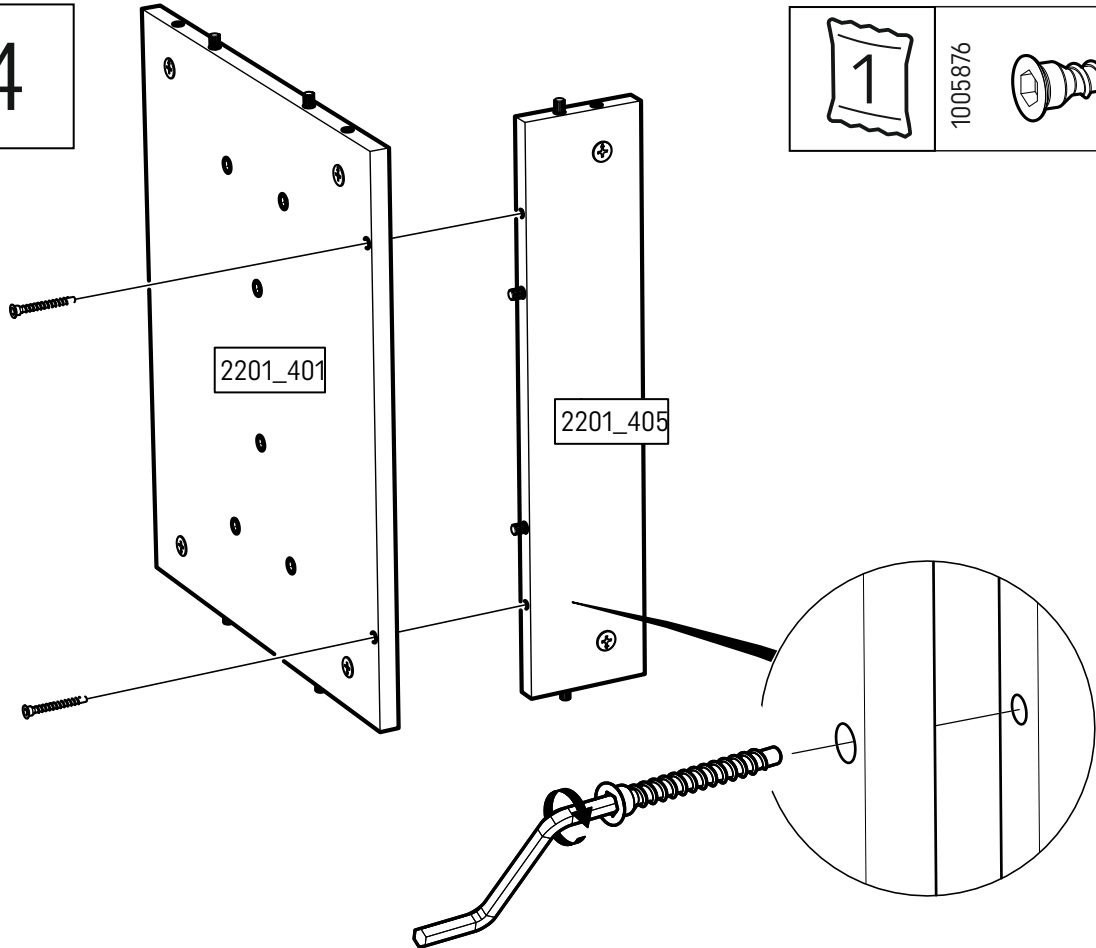
3

 <p>1</p>	1005367		x 6	1005857		x 8
---	---------	--	-----	---------	--	-----

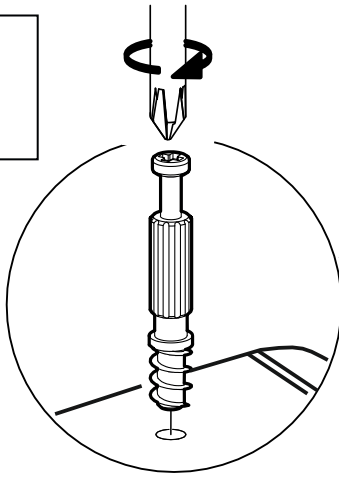


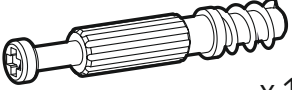
4

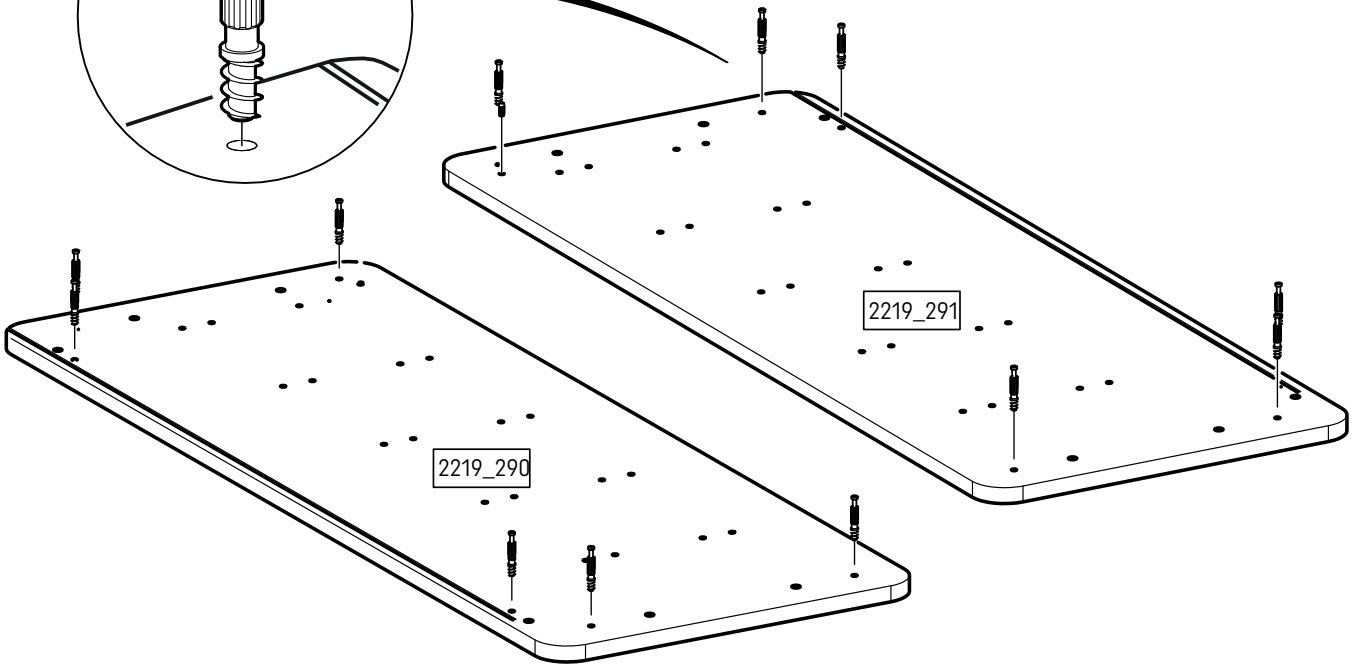
 <p>1</p>	1005876		x 2
--	---------	---	-----




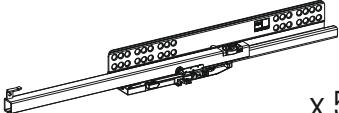
5

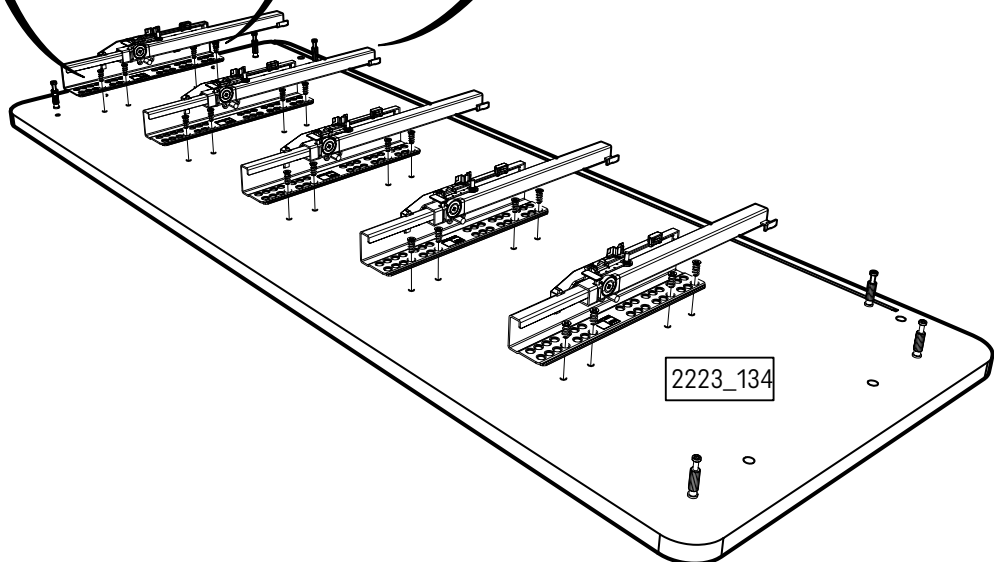
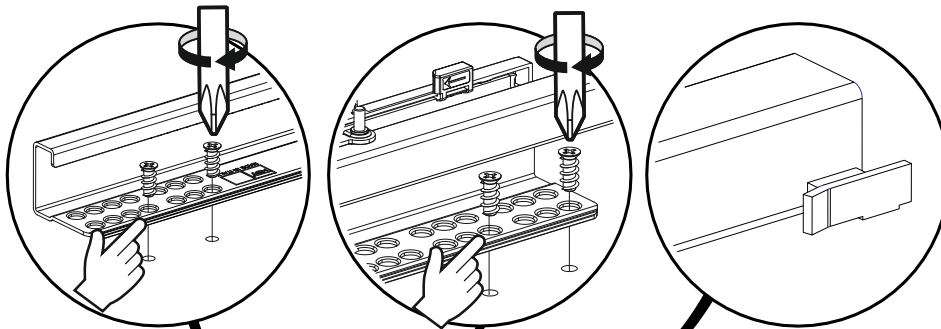


1	1006091		x 12
---	---------	--	------



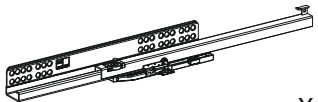


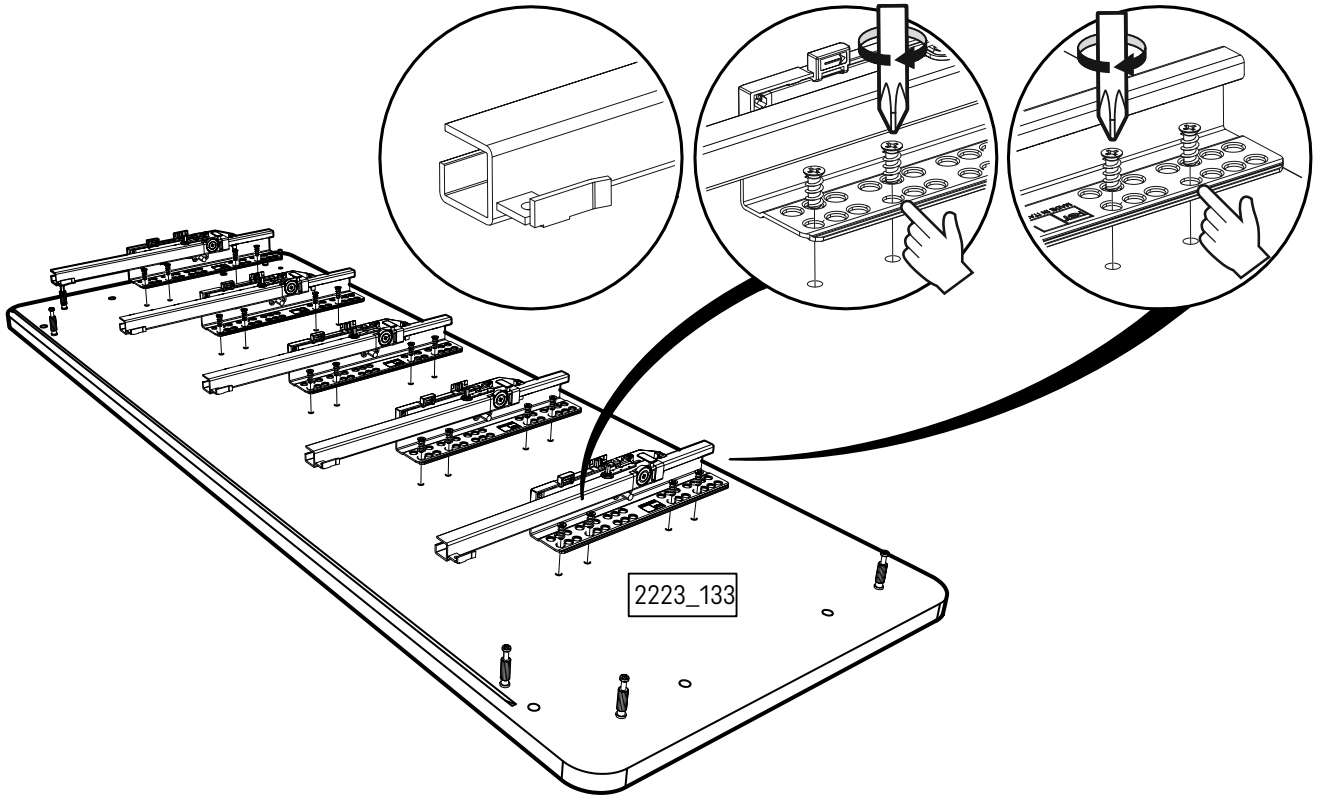
6

1	1005713		x 20	1131115		x 5
---	---------	---	------	---------	---	-----

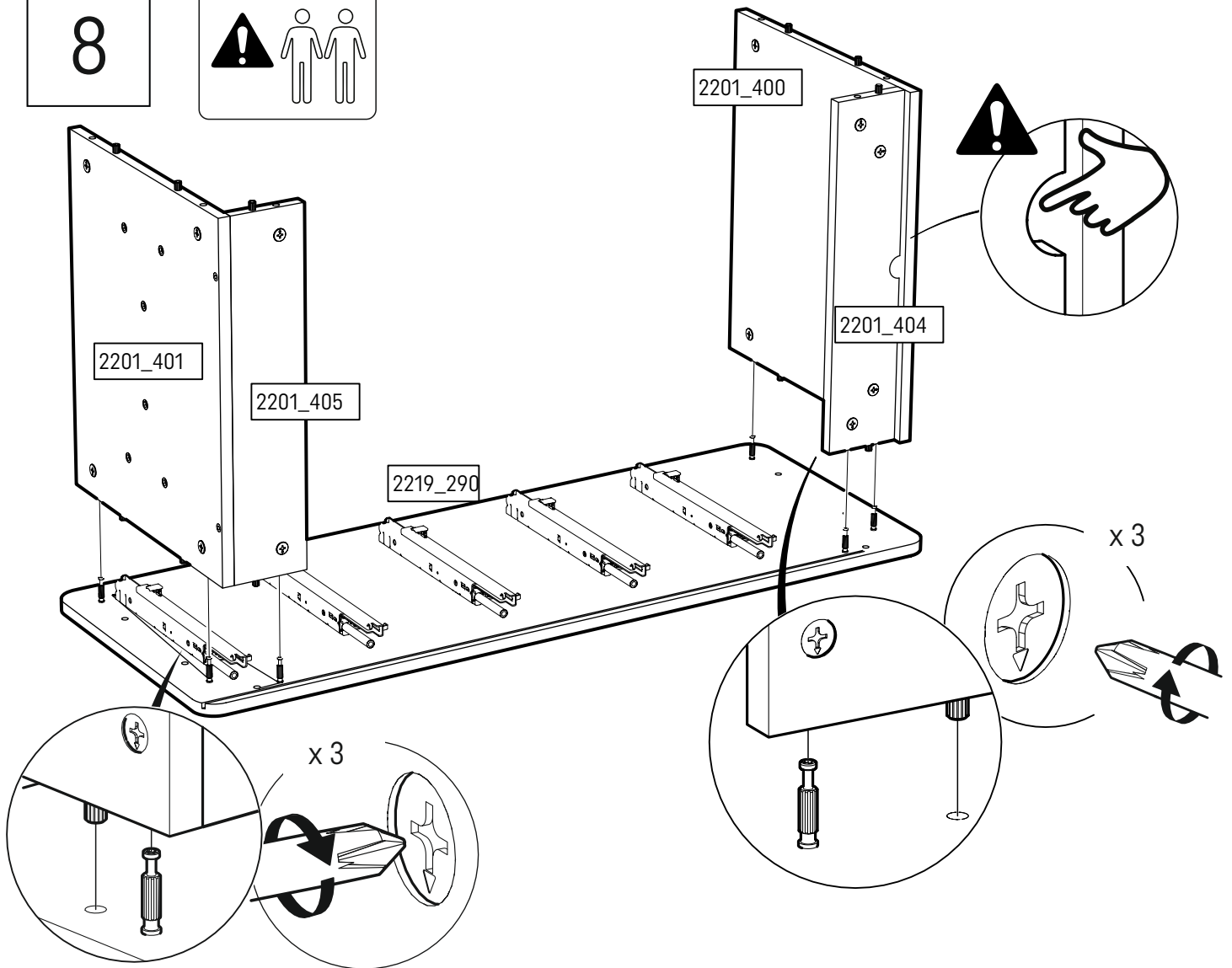
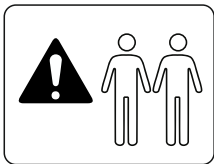


7

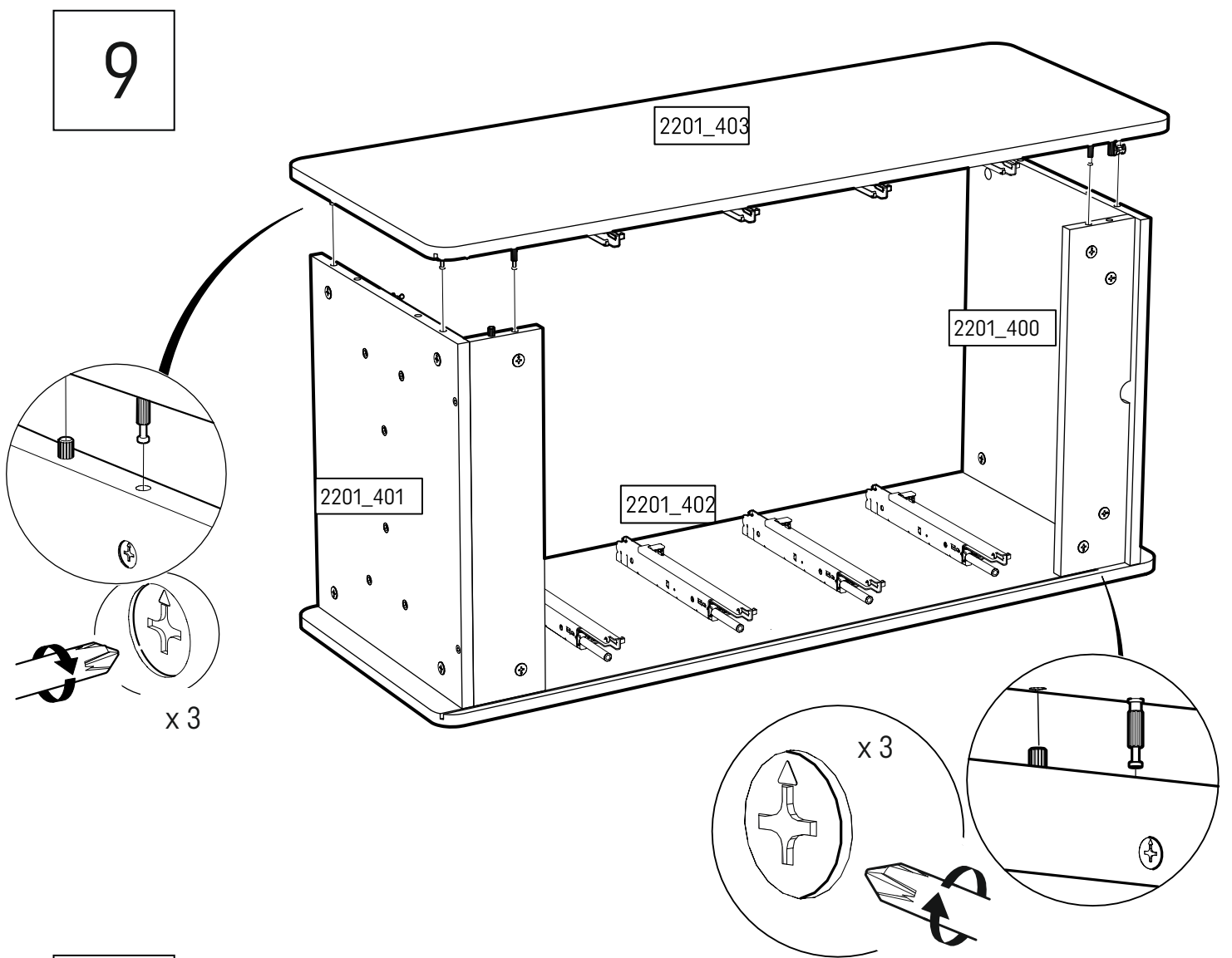
 <p>1</p>	<p>1005713</p>	 <p>x 20</p>	<p>1131115</p>  <p>x 5</p>
---	----------------	---	--



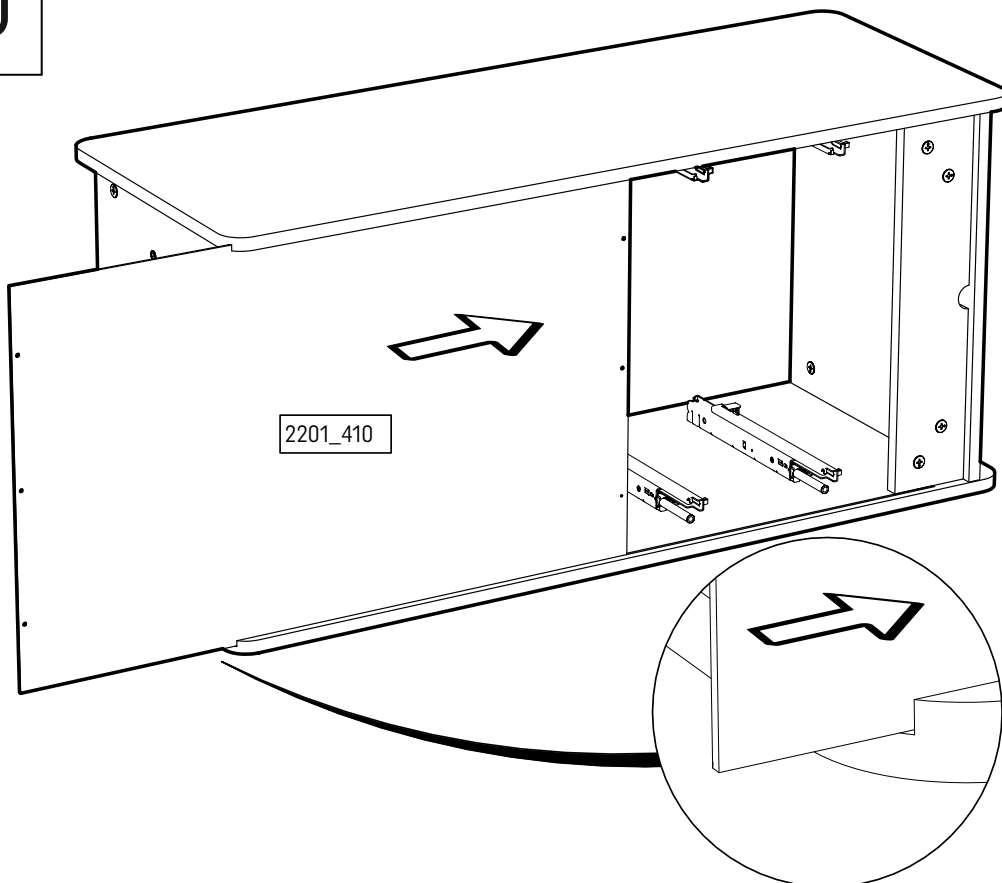
8





9

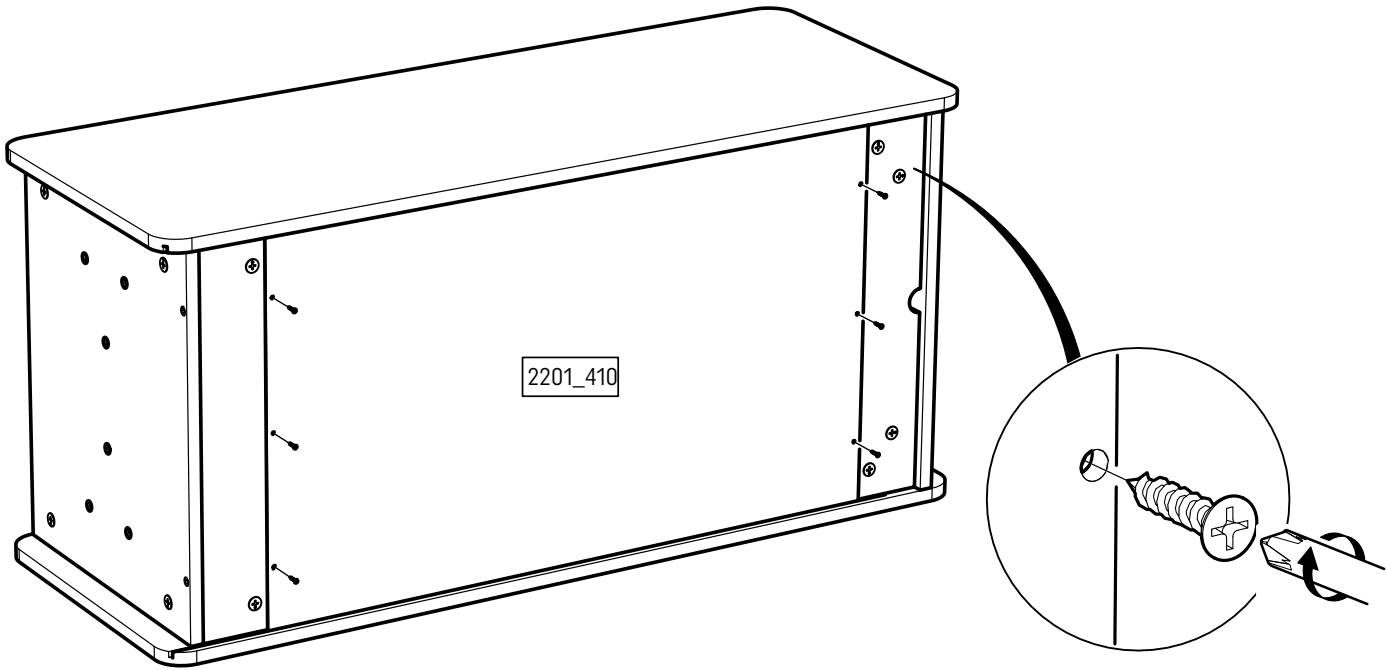


10


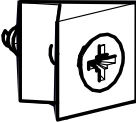


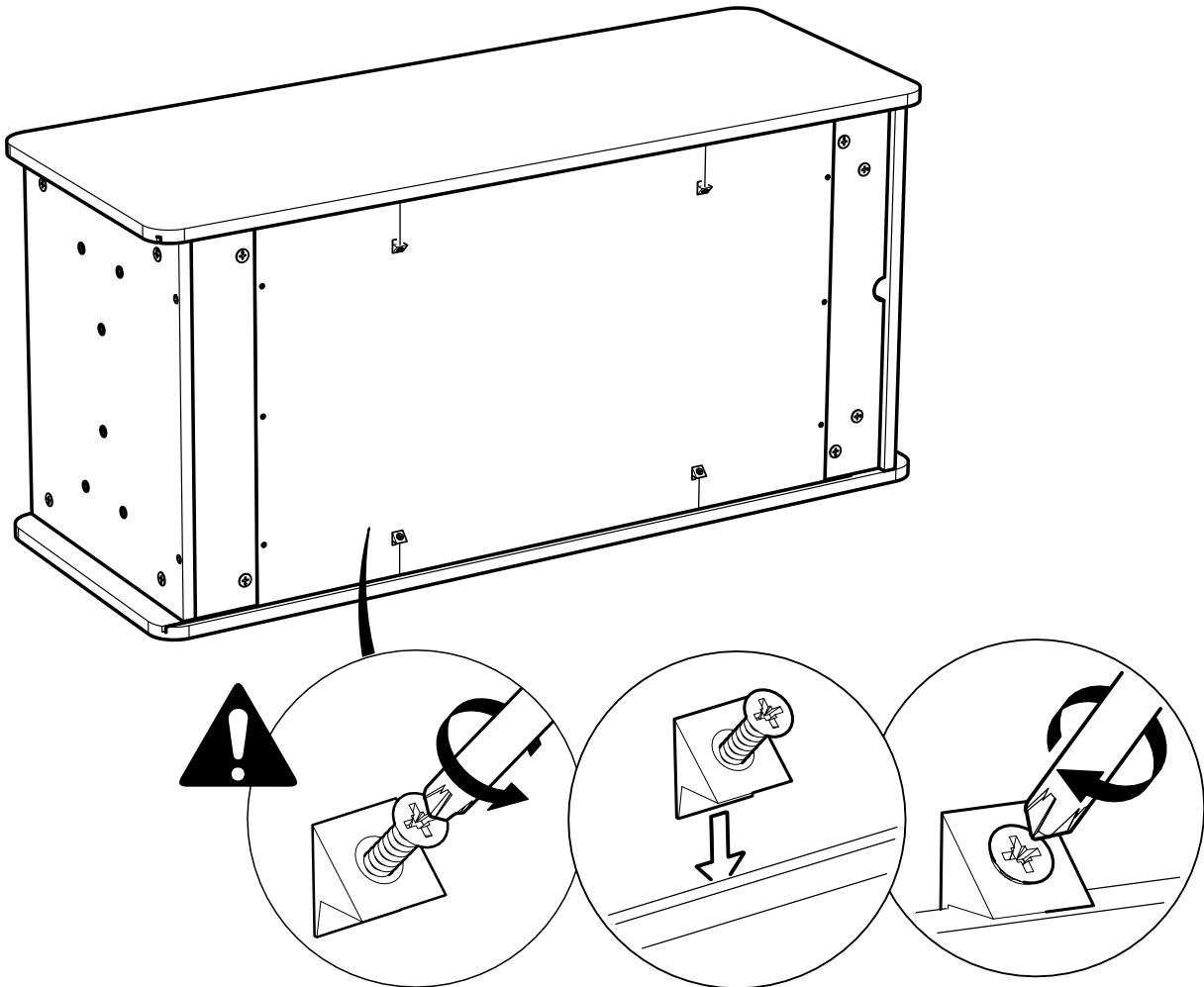
11

	1006012		x 6
--	---------	---	-----

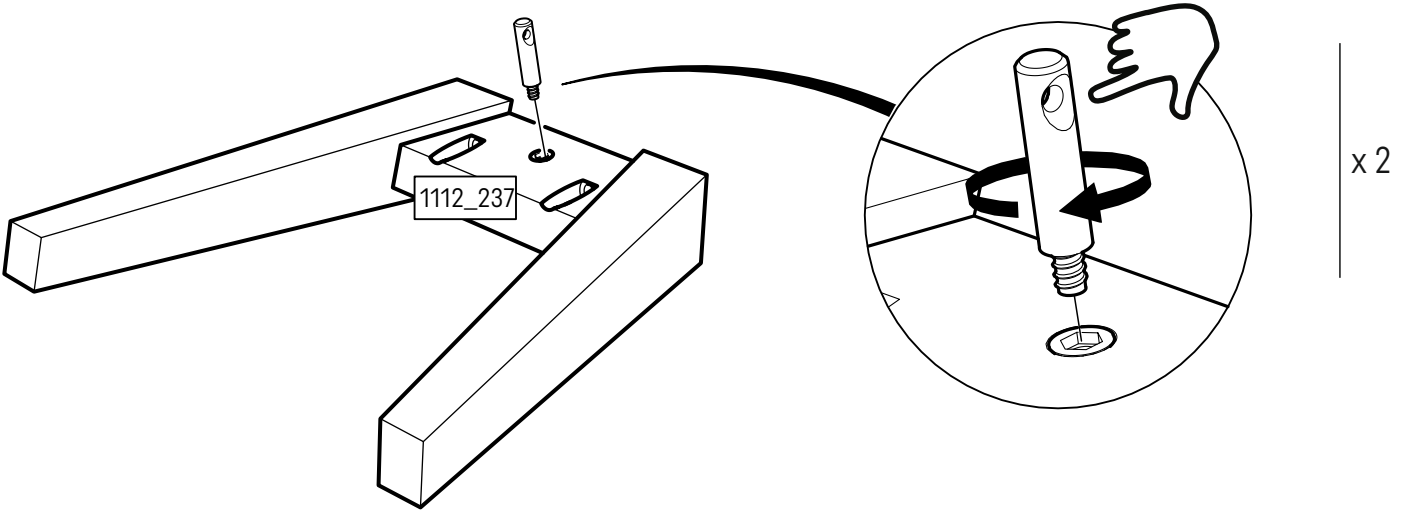
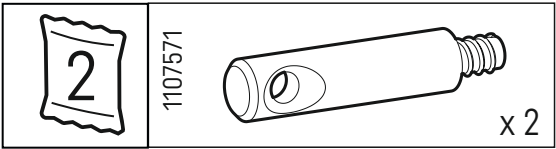


12

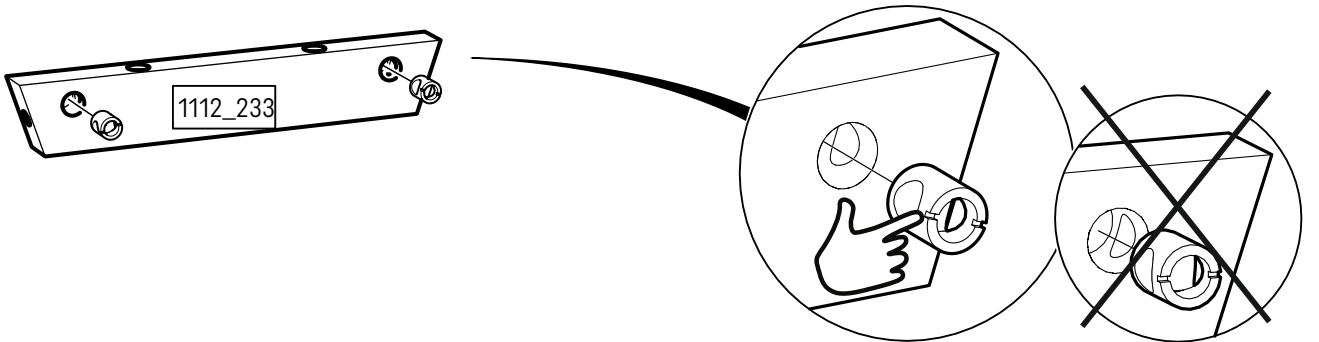
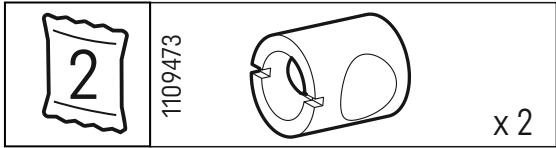
	1006022		x 4
--	---------	--	-----



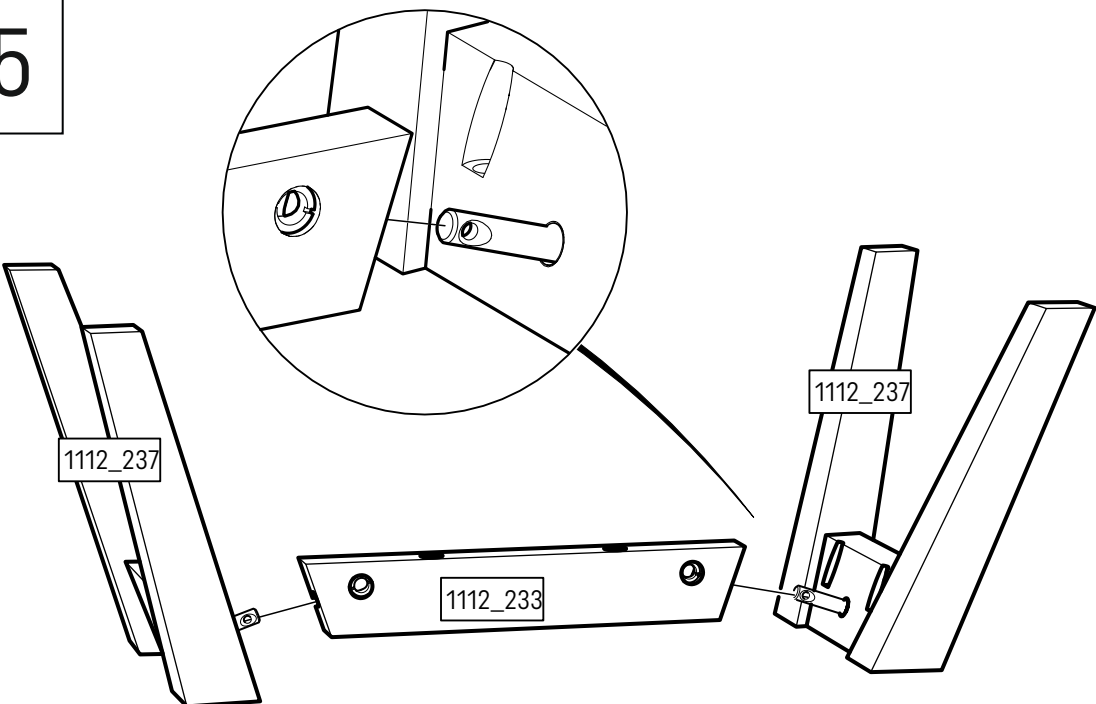
13



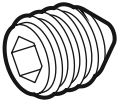
14

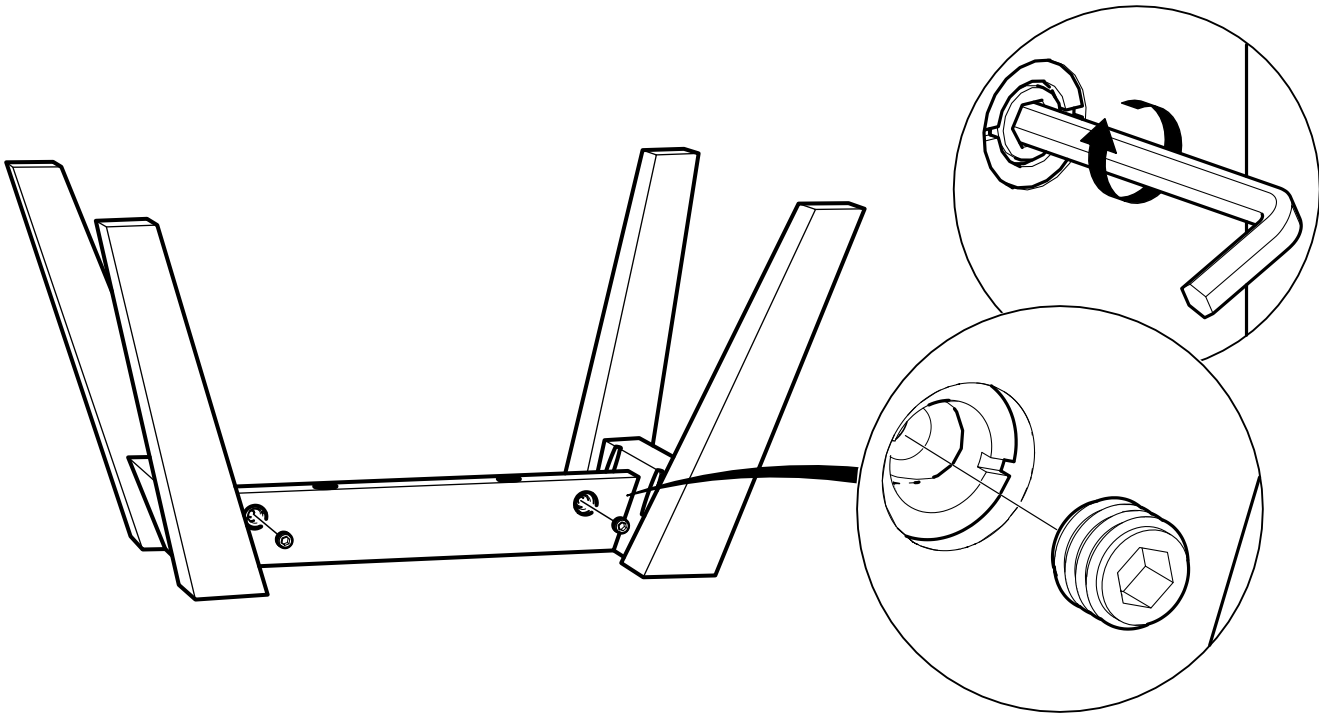


15

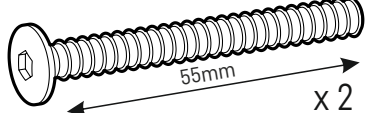


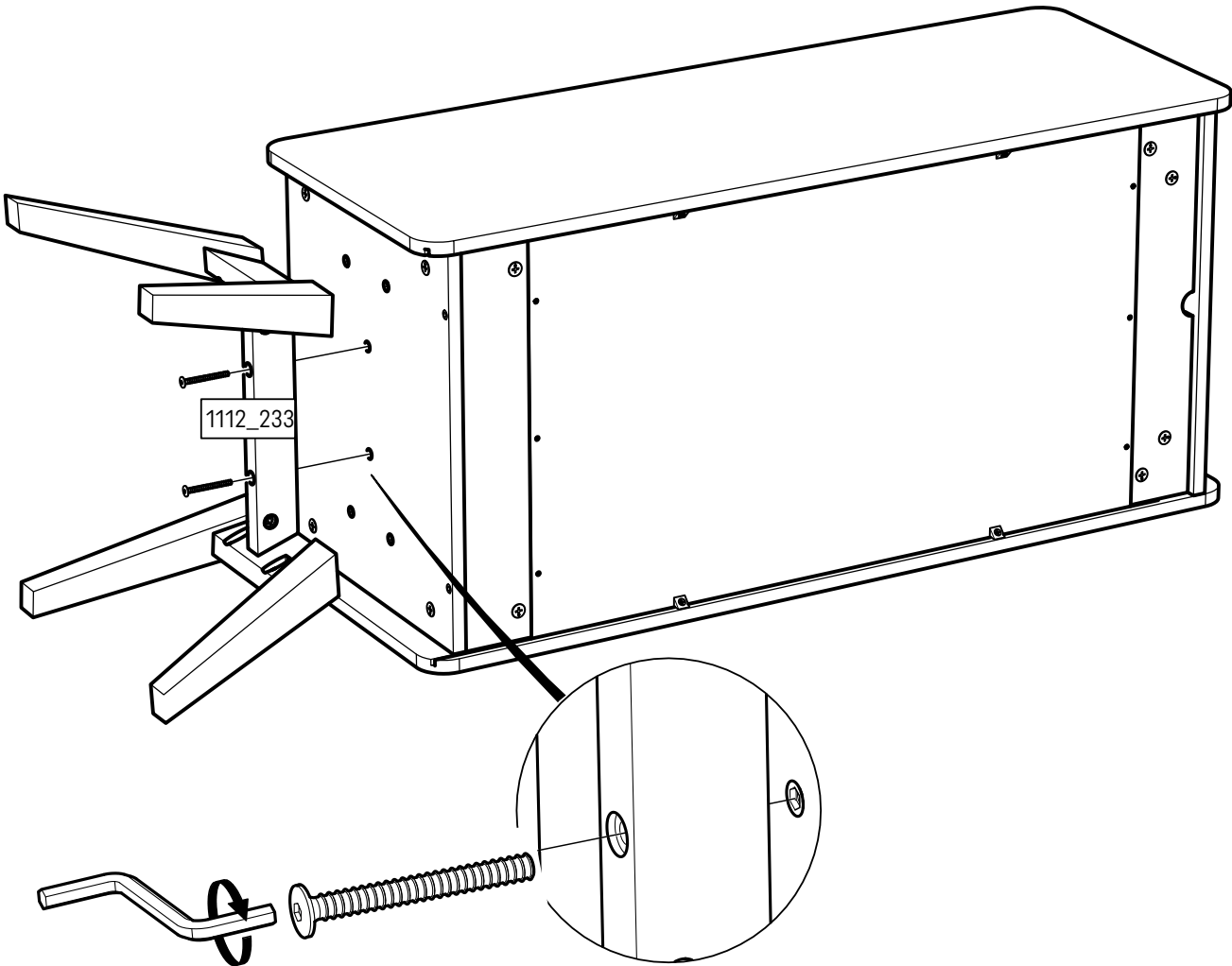
16

<p>2</p>	<p>1109474</p>	 <p>x 2</p>
----------	----------------	---

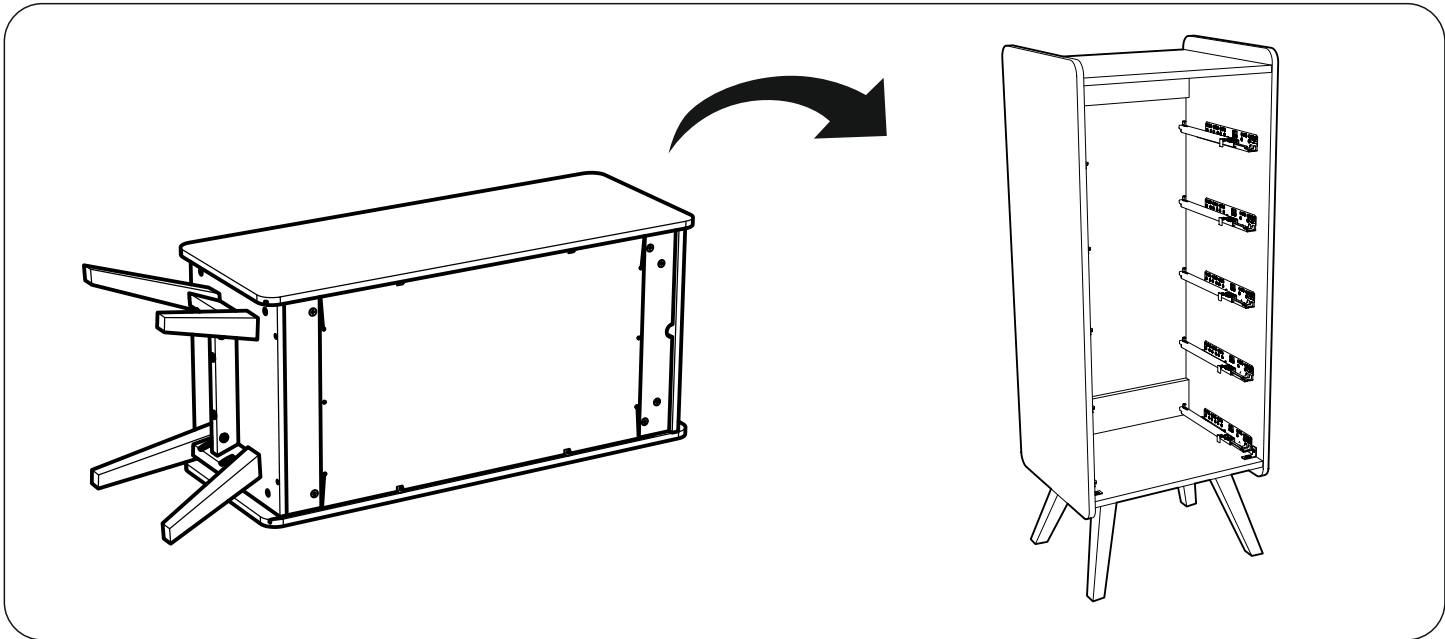
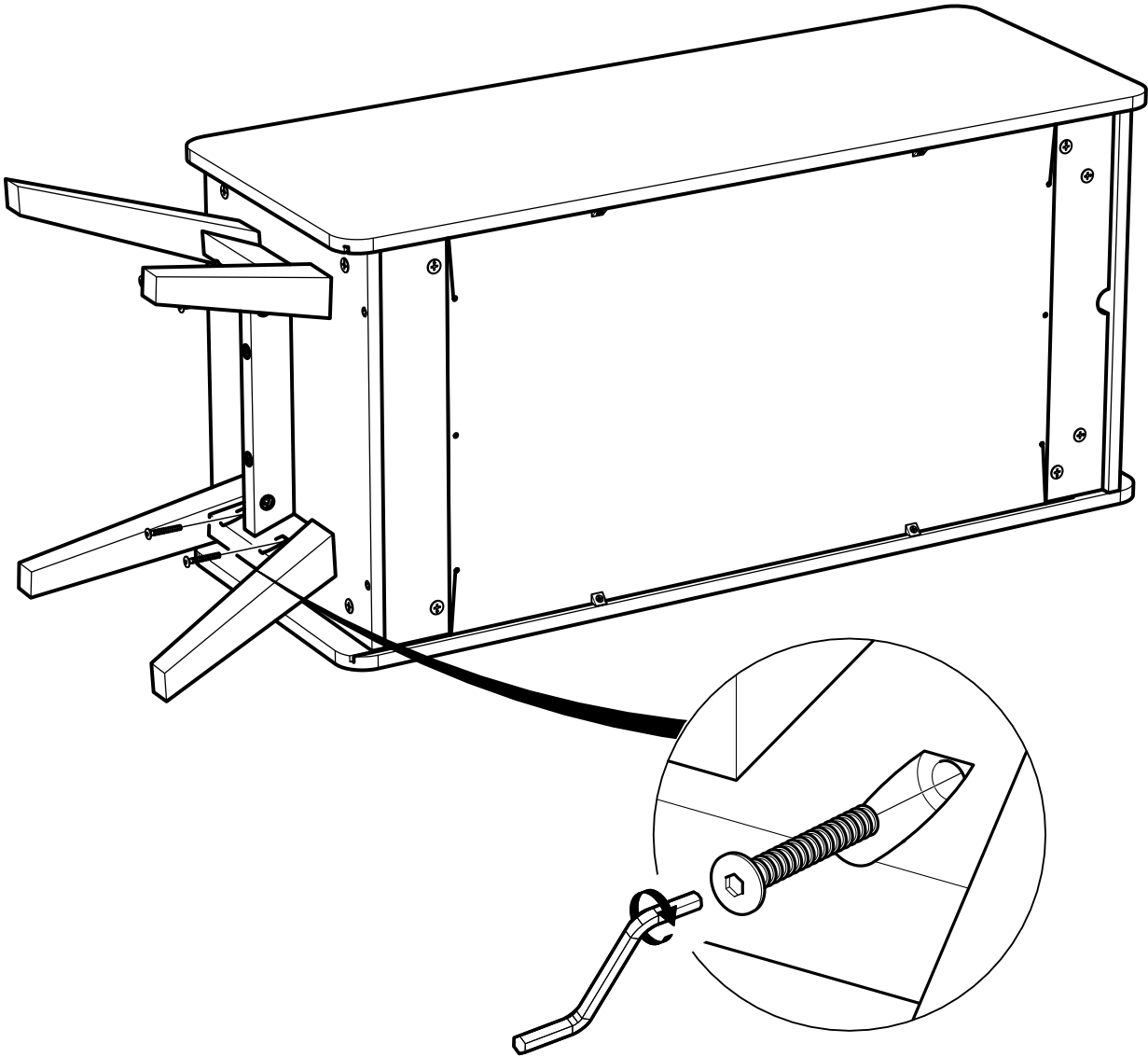
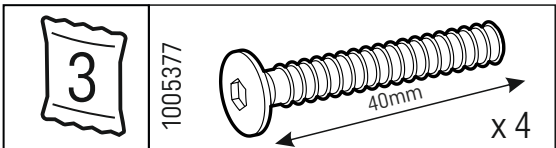


17


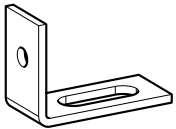
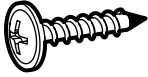
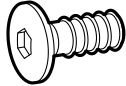
<p>2</p>	<p>1005687</p>	 <p>55mm</p> <p>x 2</p>
----------	----------------	---

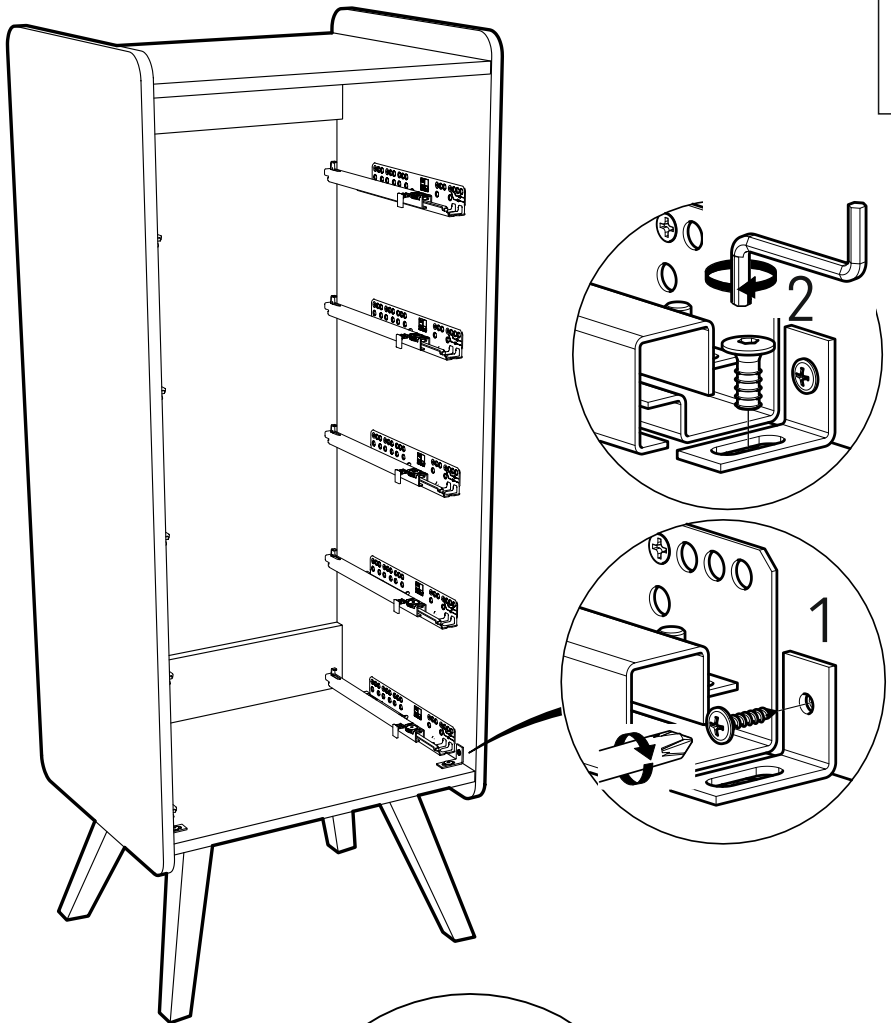


18

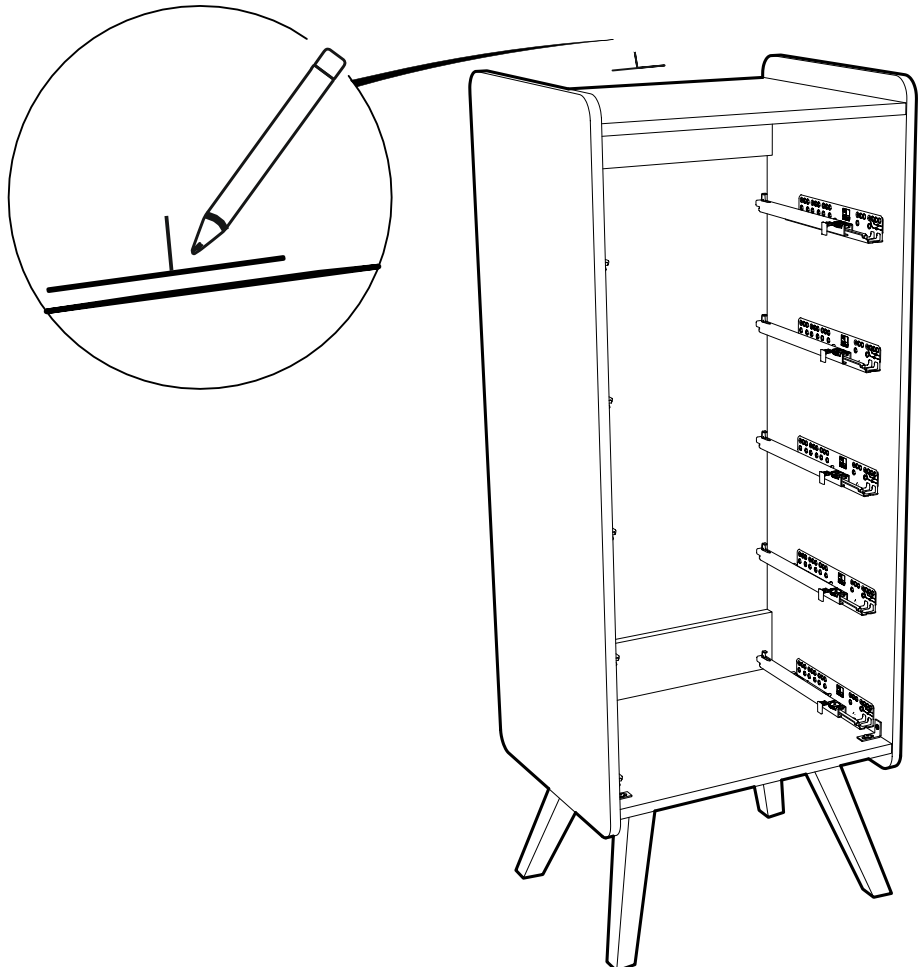


19

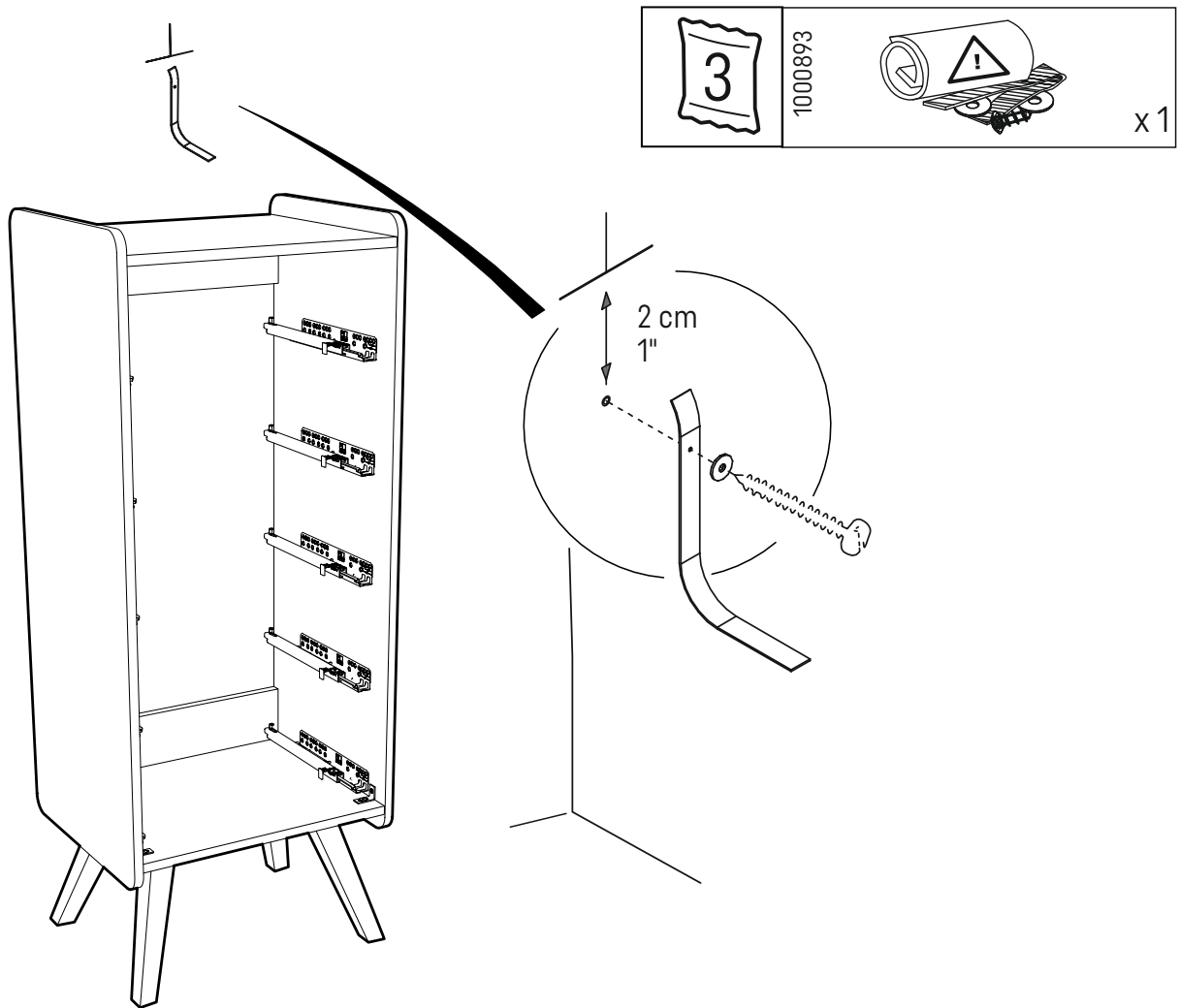
 <p>3</p>	<p>1000987</p>	 <p>x 2</p>	<p>1005464</p>	 <p>x 2</p>
		<p>1006055</p>  <p>x 2</p>		



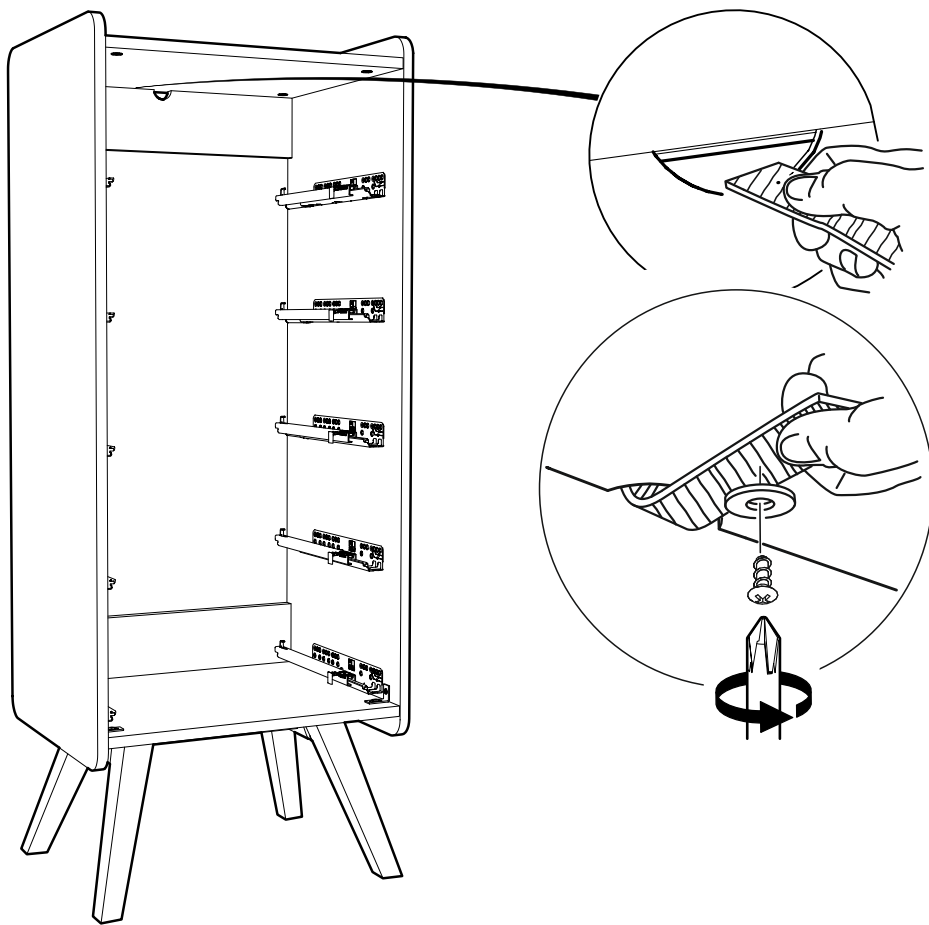
20



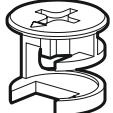

21

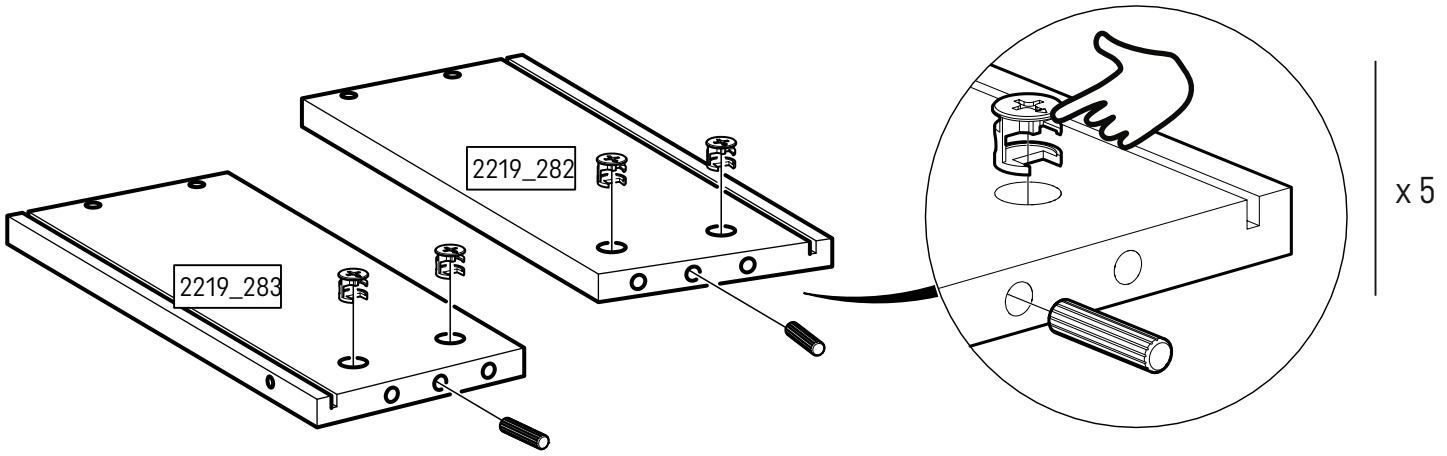


22

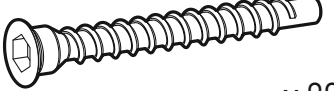


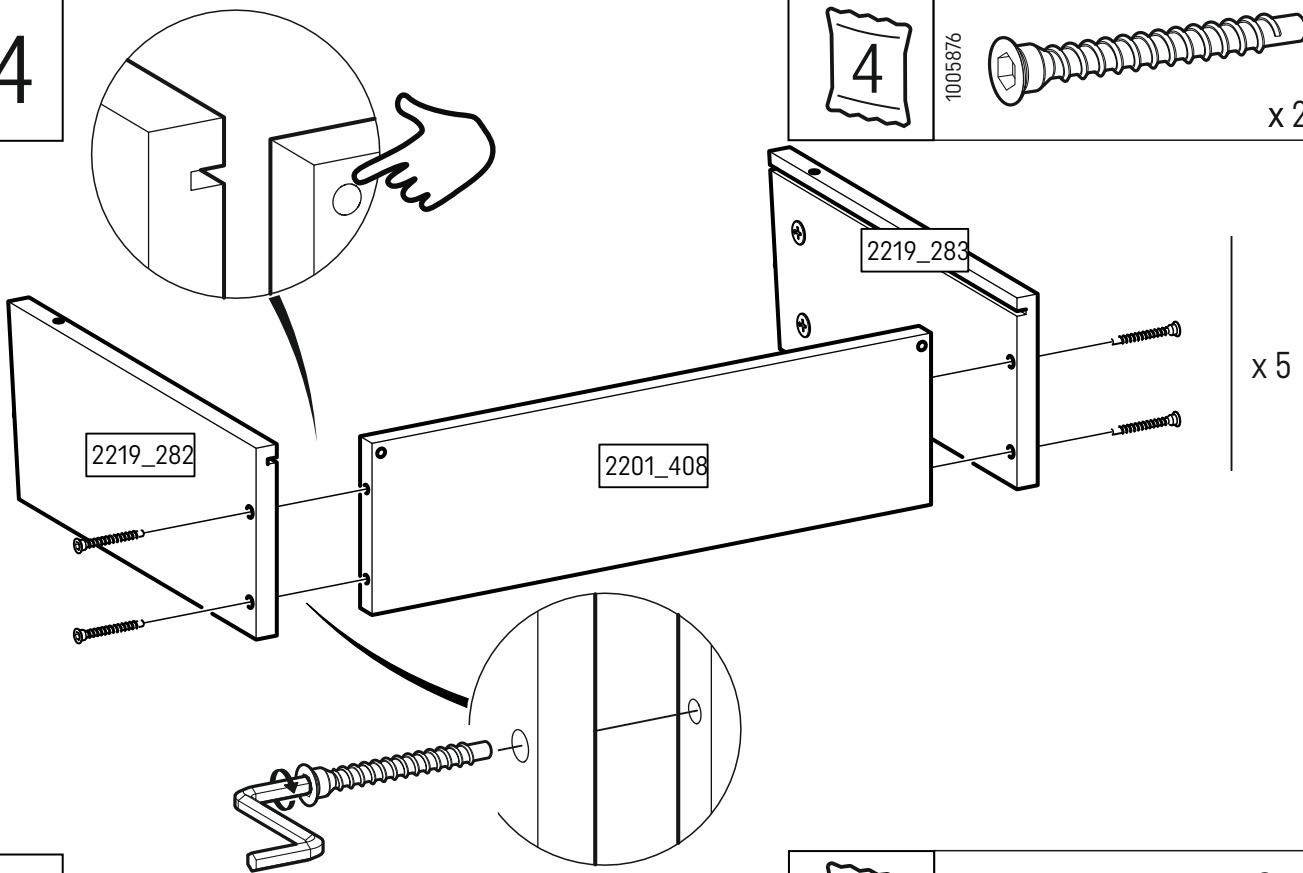
23

4	1005367	 x 20	1005857  x 10
---	---------	---	---

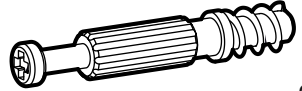


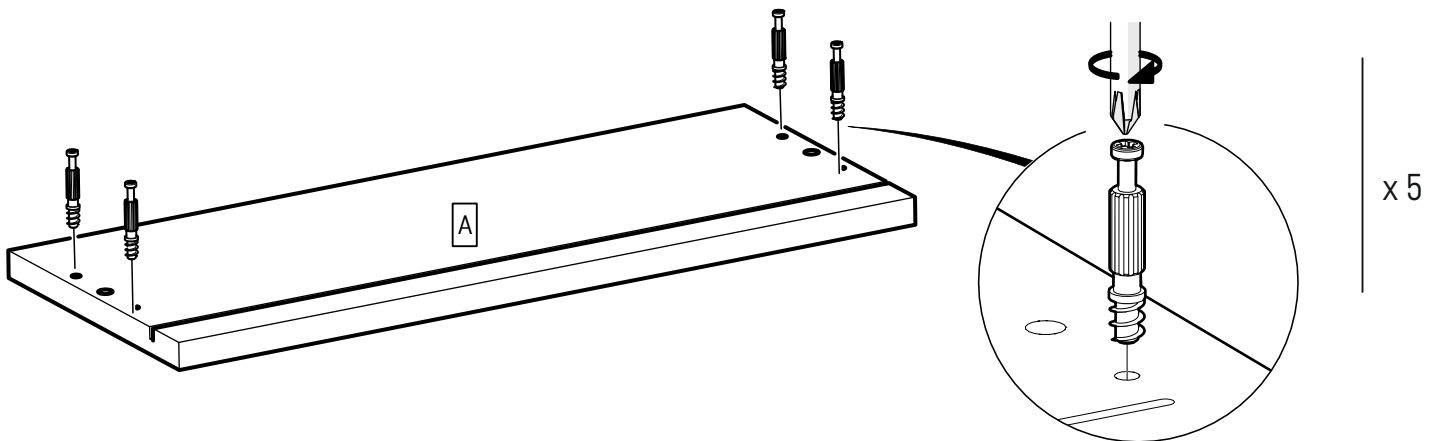
24

4	1005876  x 20
---	--

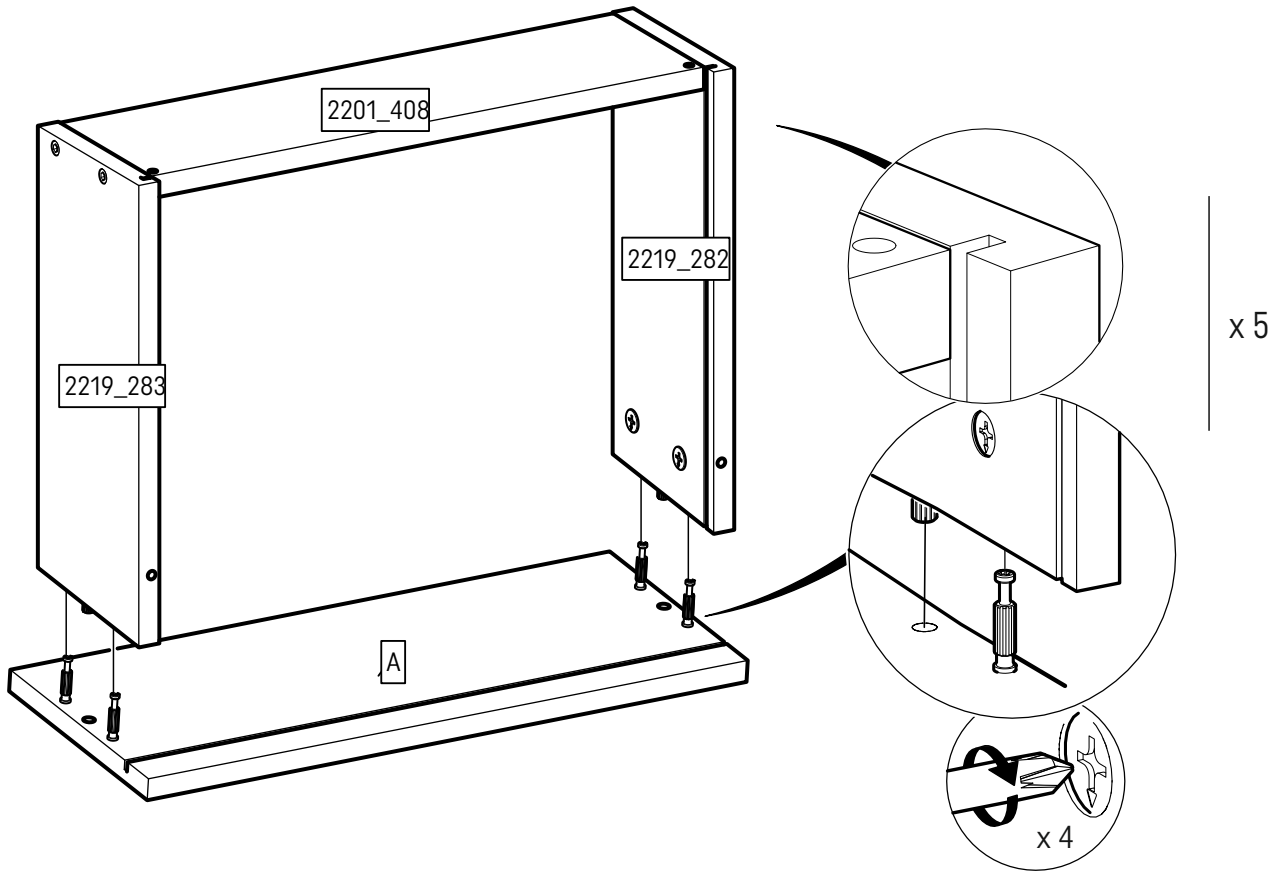


25

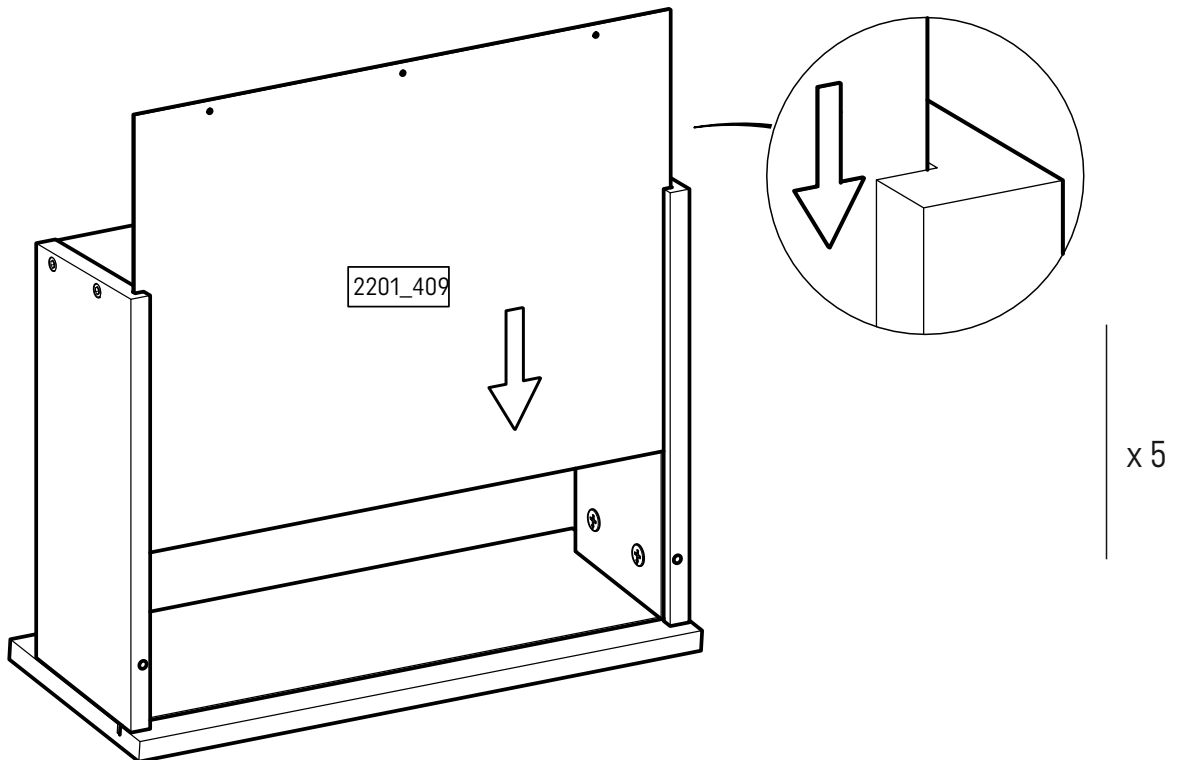
4	1006091  x 20
---	--




26

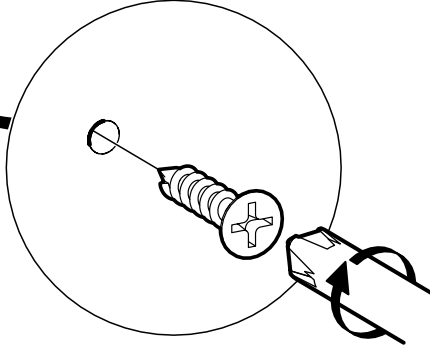
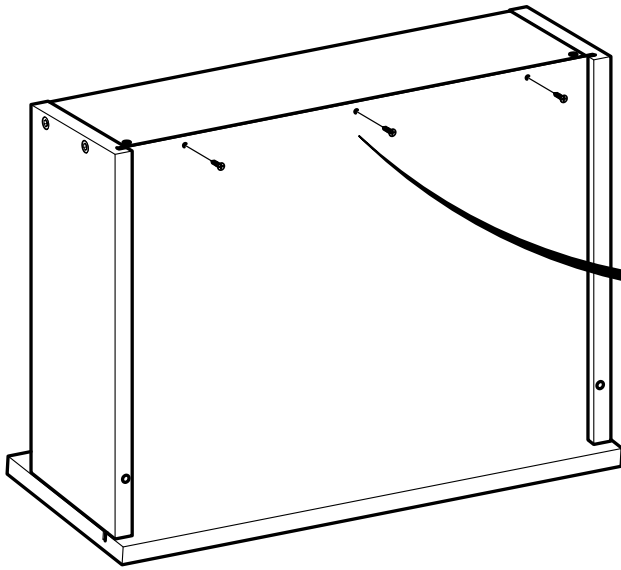


27



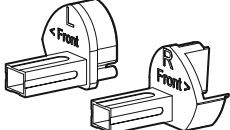
28

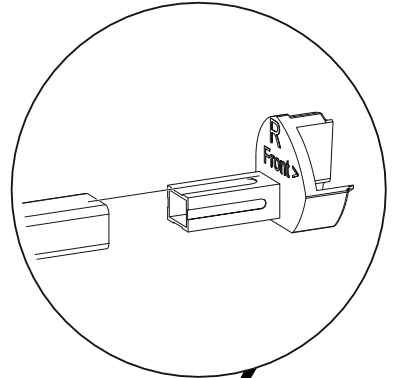
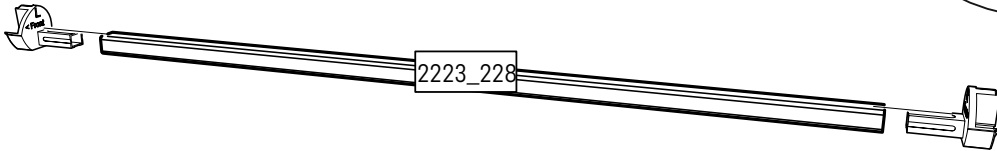
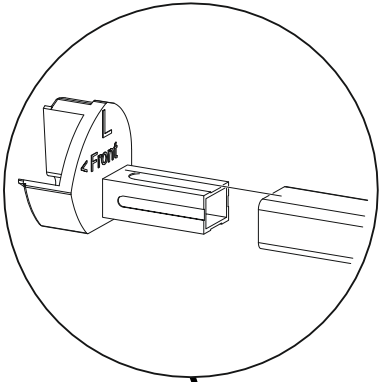
4	1006012	 x 15
---	---------	--



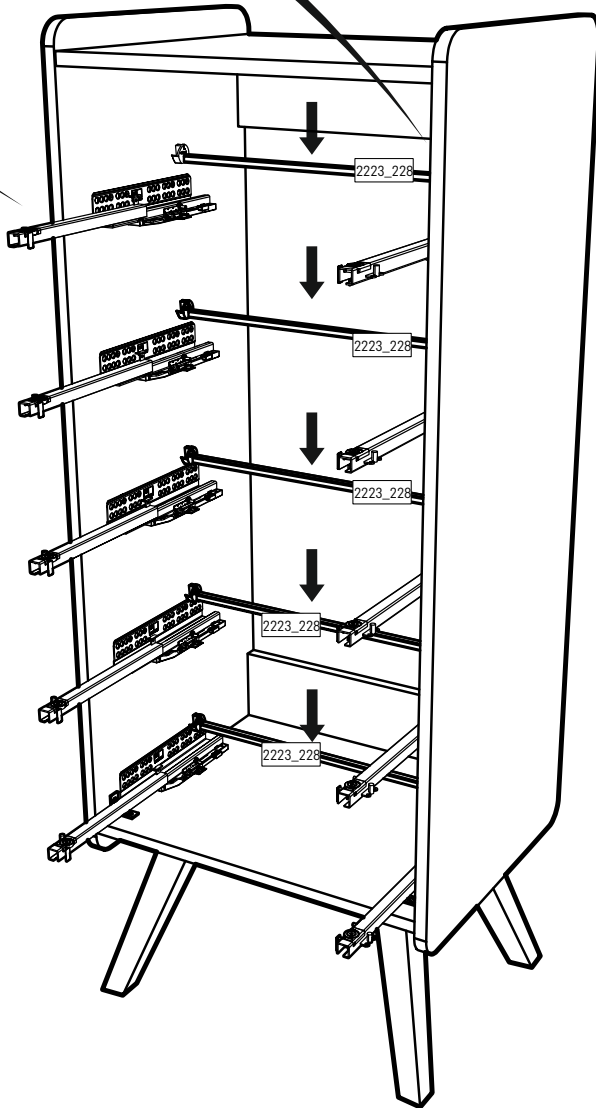
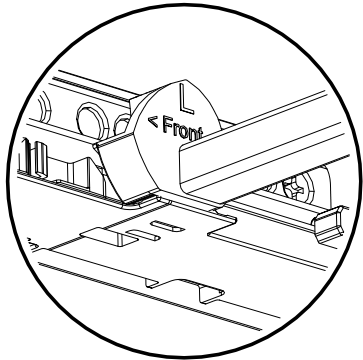
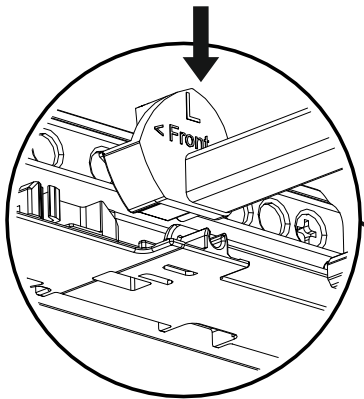
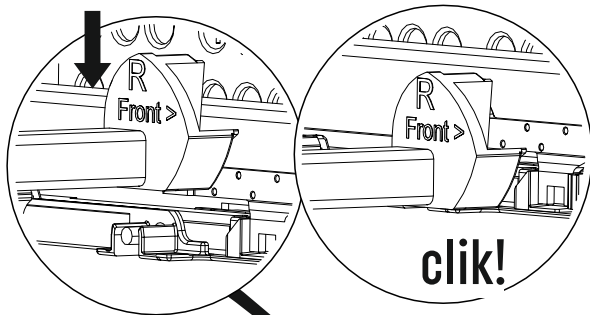
x 5

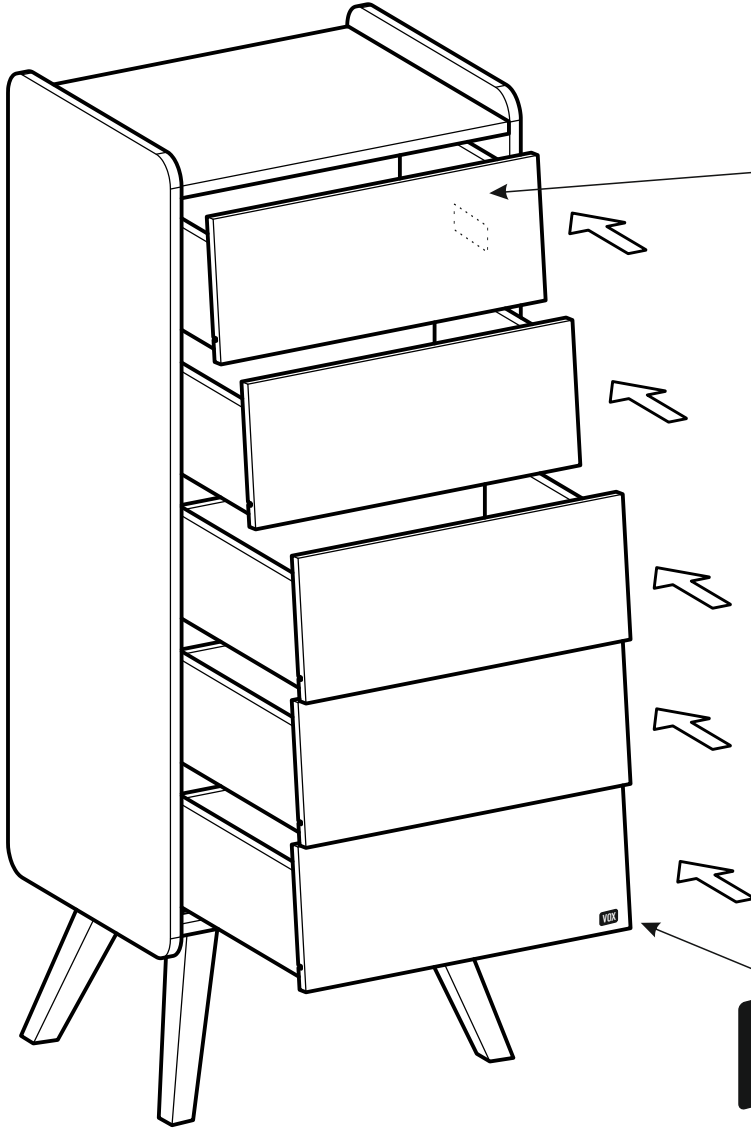
29

4	1131155	 x 5
---	---------	--



x 5

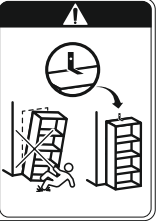




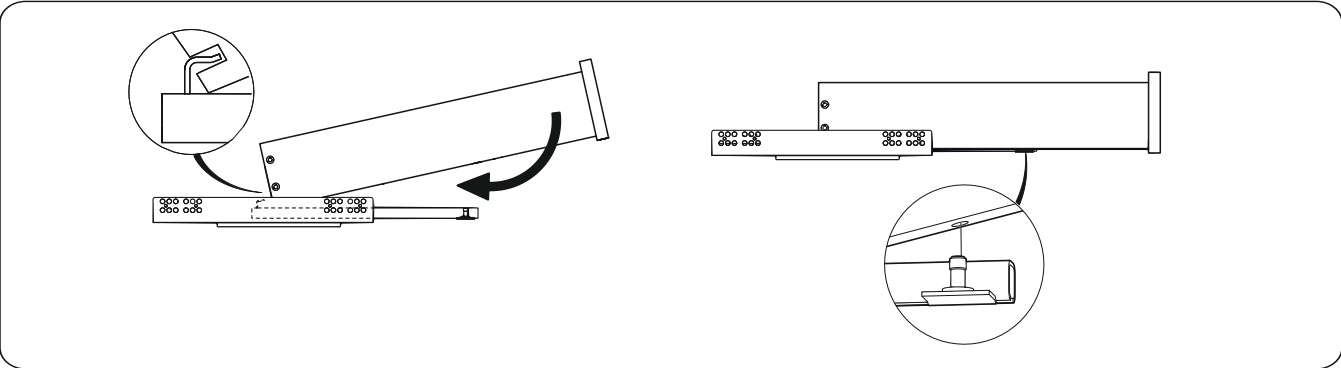
WARNING
Serious or fatal crushing injuries can occur from furniture tip-over. To help prevent tip-over:

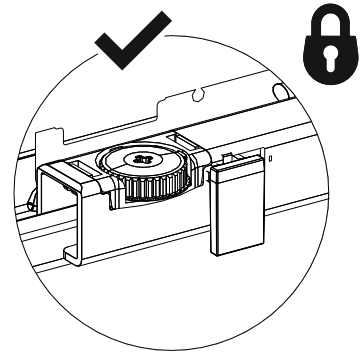
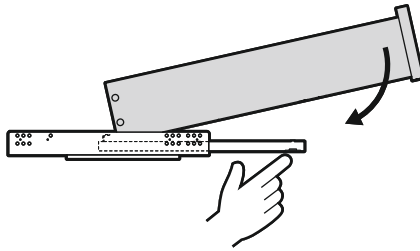
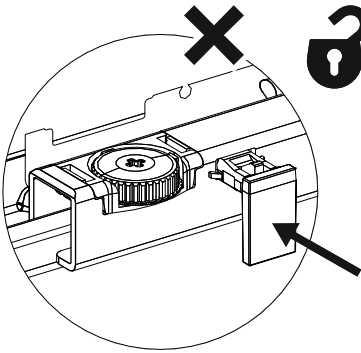
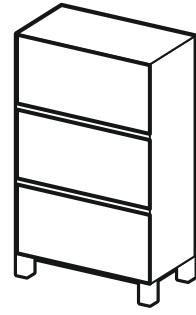
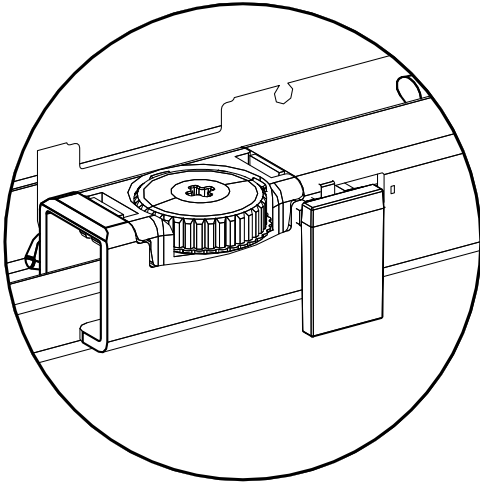
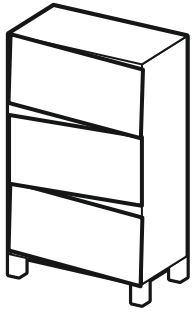
- Install tipover restraint provided.
- Place heaviest items in the lower drawers.
- Unless specifically designed to accommodate, do not set TVs or other heavy objects on top of this product.
- Never allow children to climb or hang on drawers, doors or shelves.
- Never open more than one drawer at a time. (CR)
- Do not defeat or remove the drawer interlock system.

Use of tip-over restraints may only reduce, but not eliminate, the risk of tip-over.
This is a permanent label. Do not attempt to remove.



VOX





max 5 kg / 11 lb

