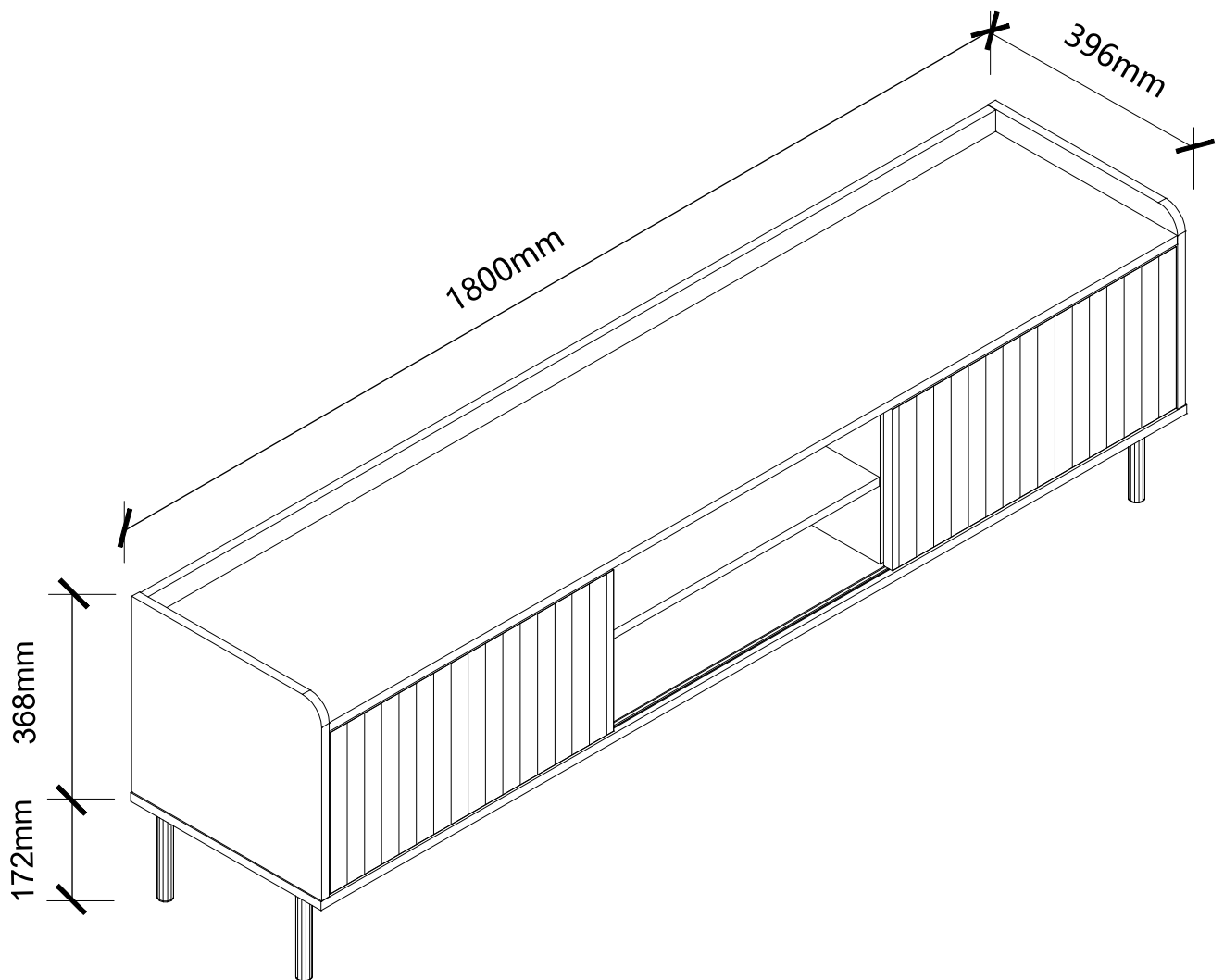
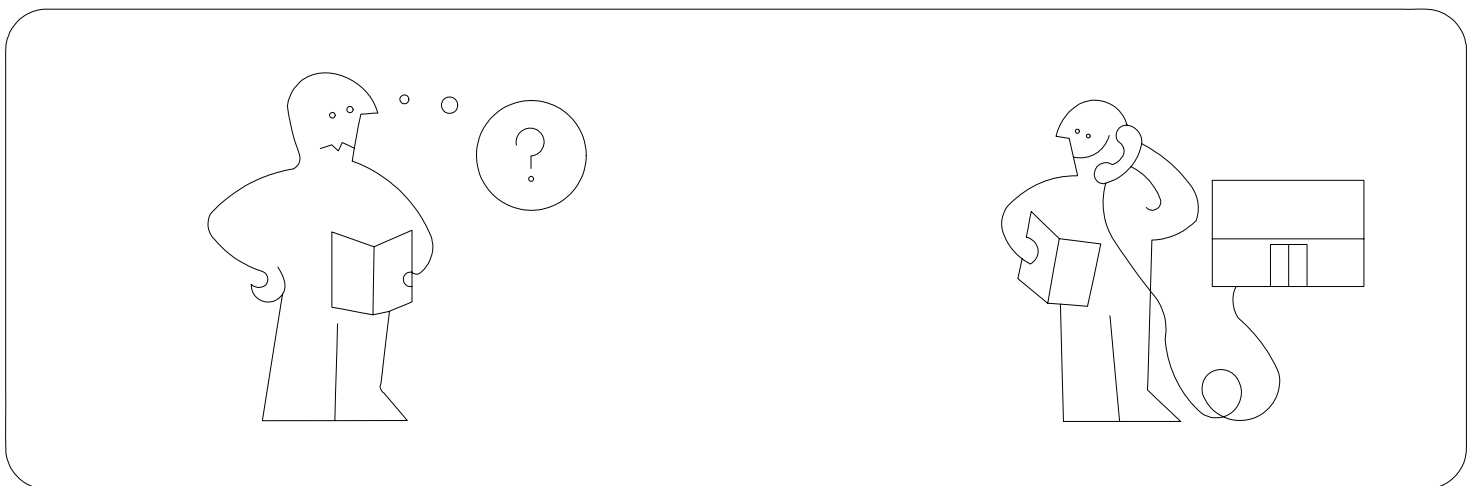
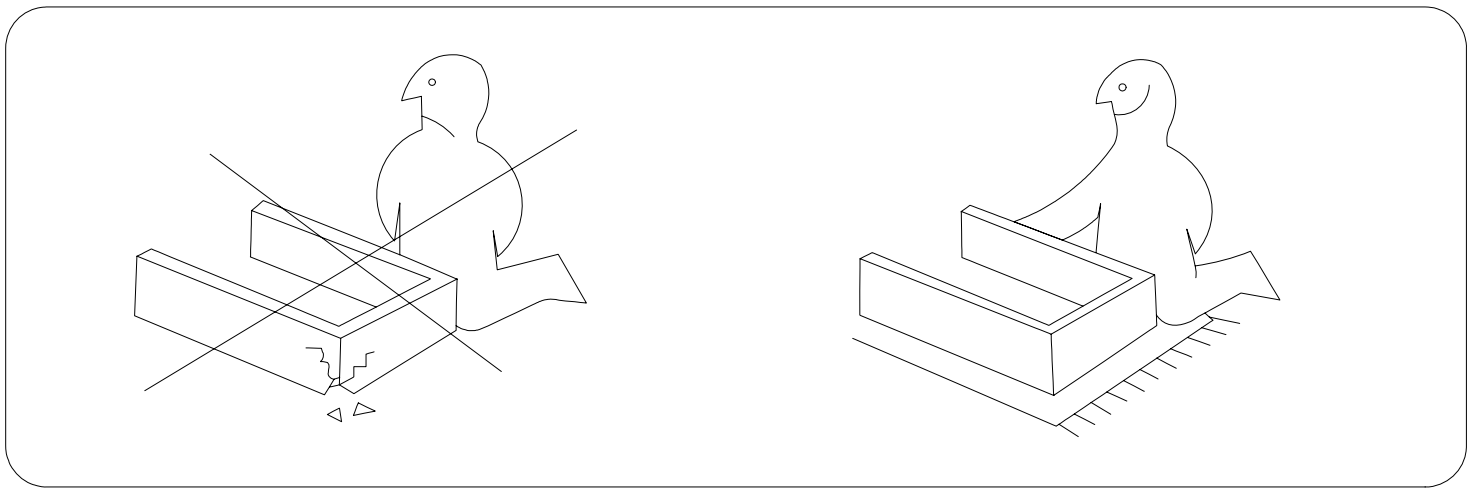
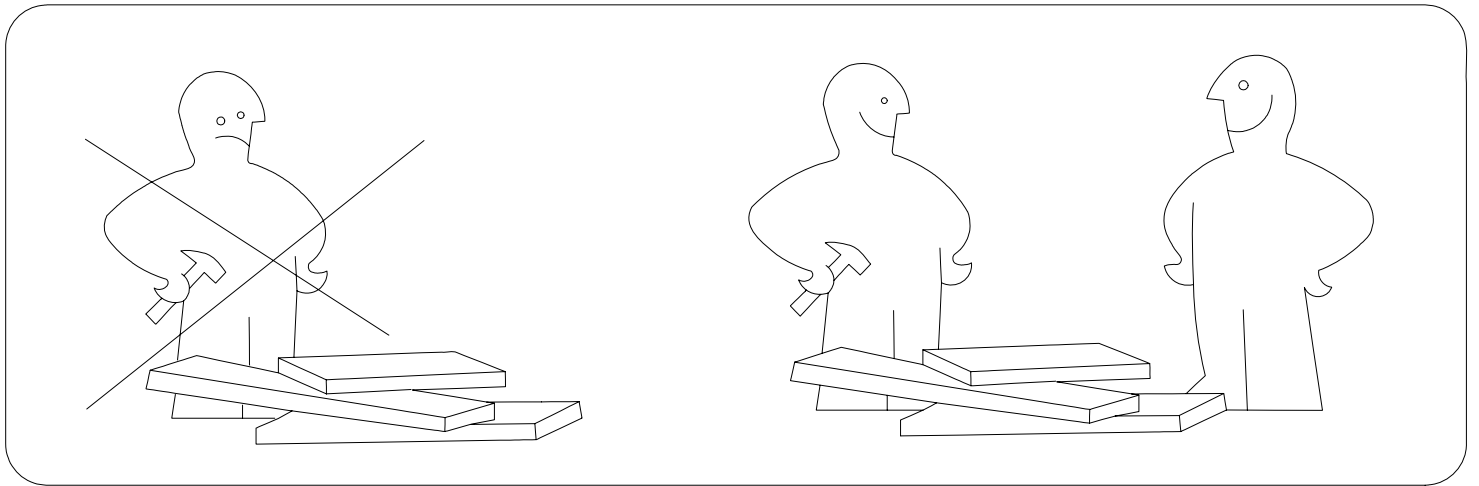
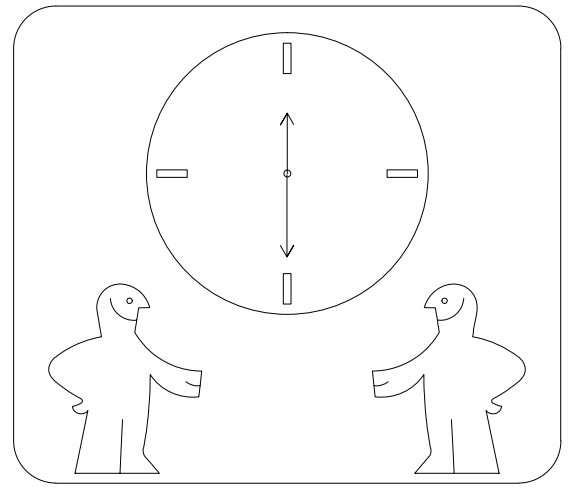
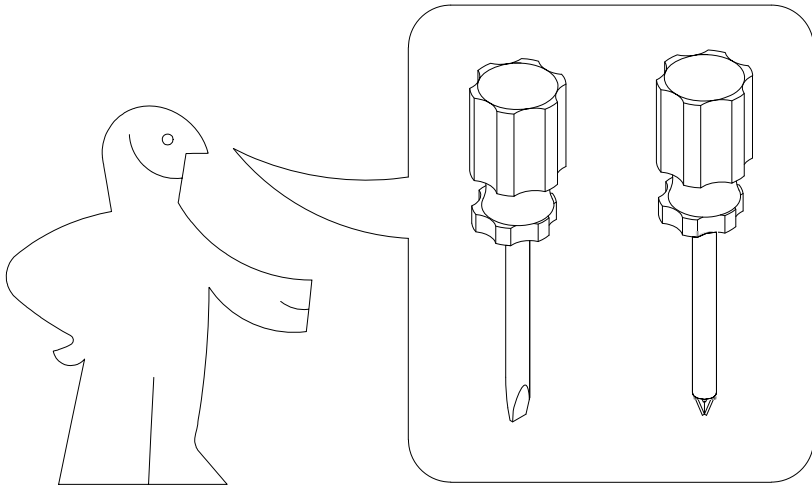
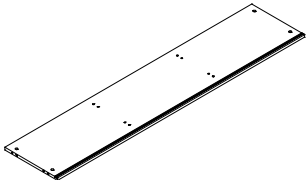
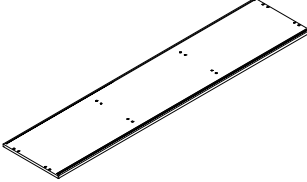
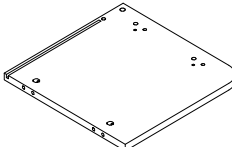
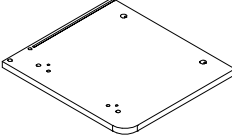
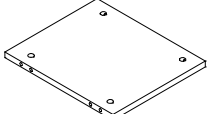
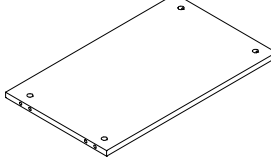
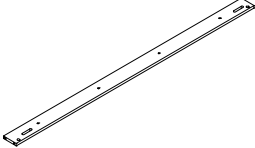
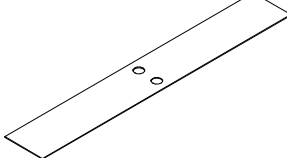
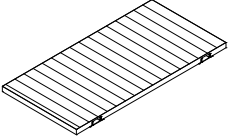


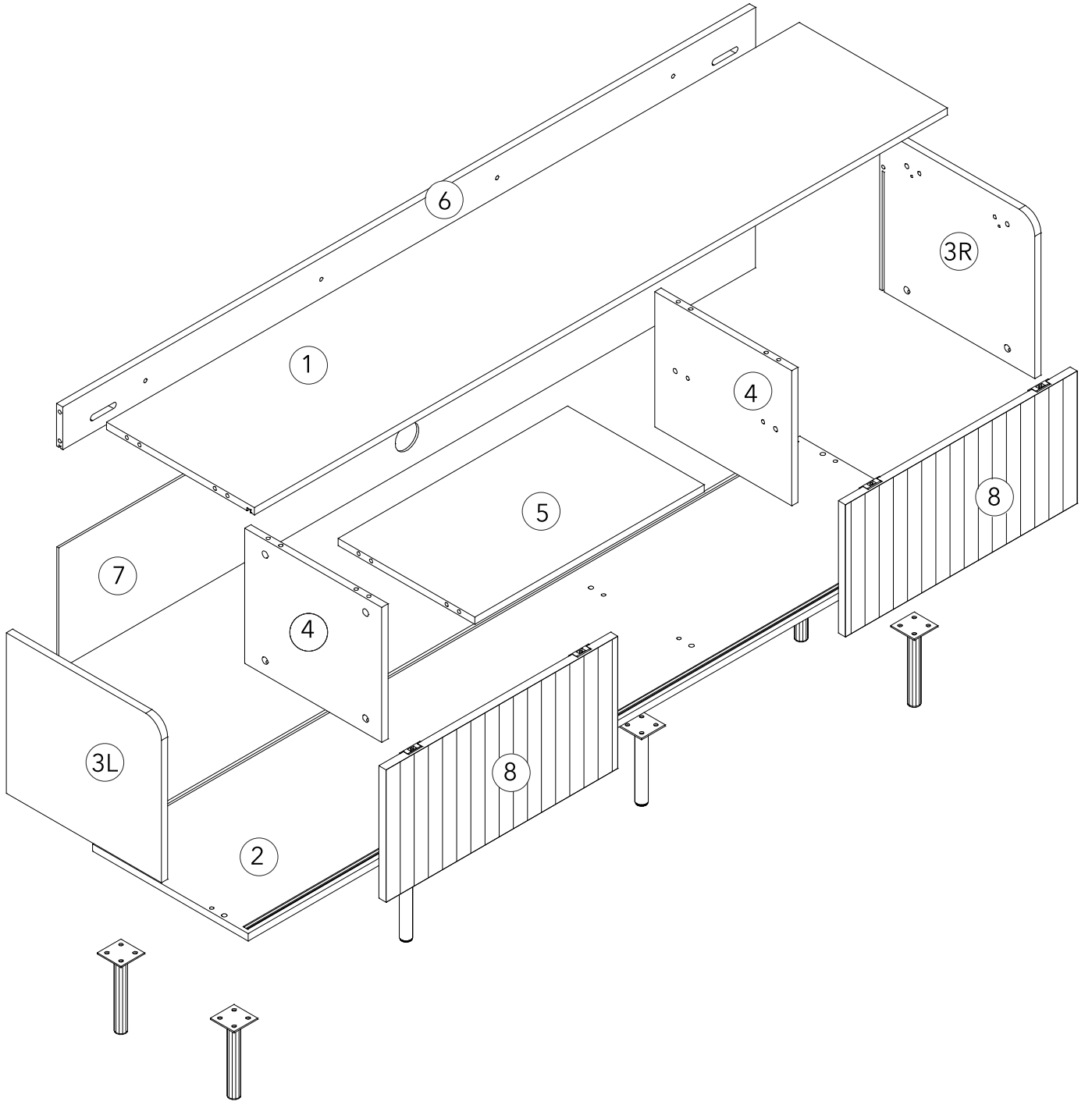
24790002/04  
24790002/14




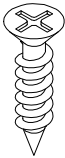
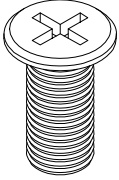
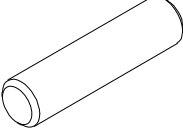
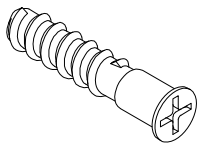
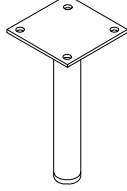
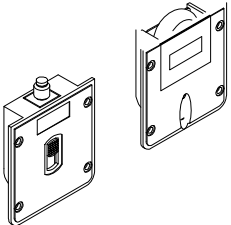
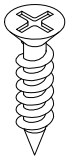
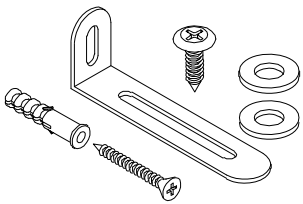

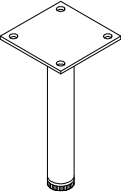
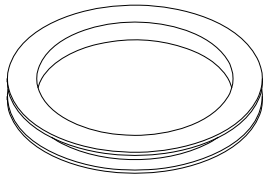

XXXLUTZ KG  
Roemerstrasse 39  
AT-4600 Wels, Austria  
E-Mail: info@xxxlutz.at

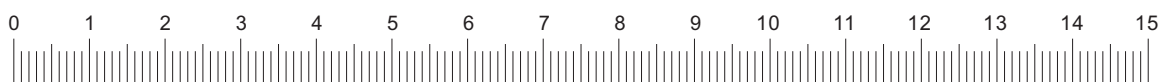




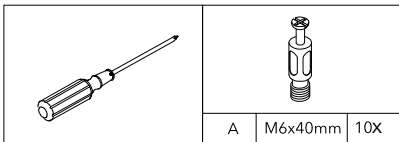
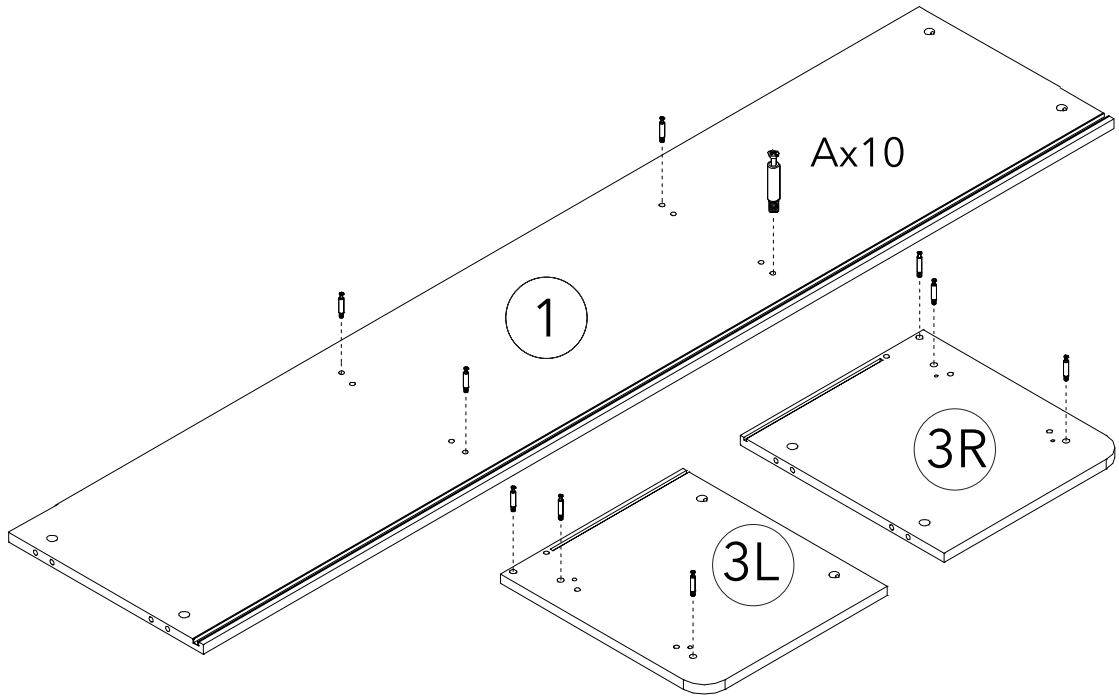
1	1764x377x16		1
2	1800x396x16		1
3L	354x395x16		1
3R	354x395x16		1
4	298x349x16		2
5	584x348x16		1
6	1764x94x16		1
7	1774x269x5		1
8	292x590x18		2



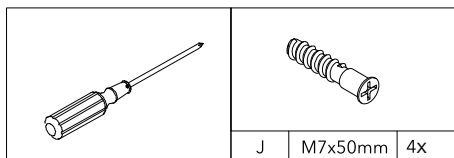
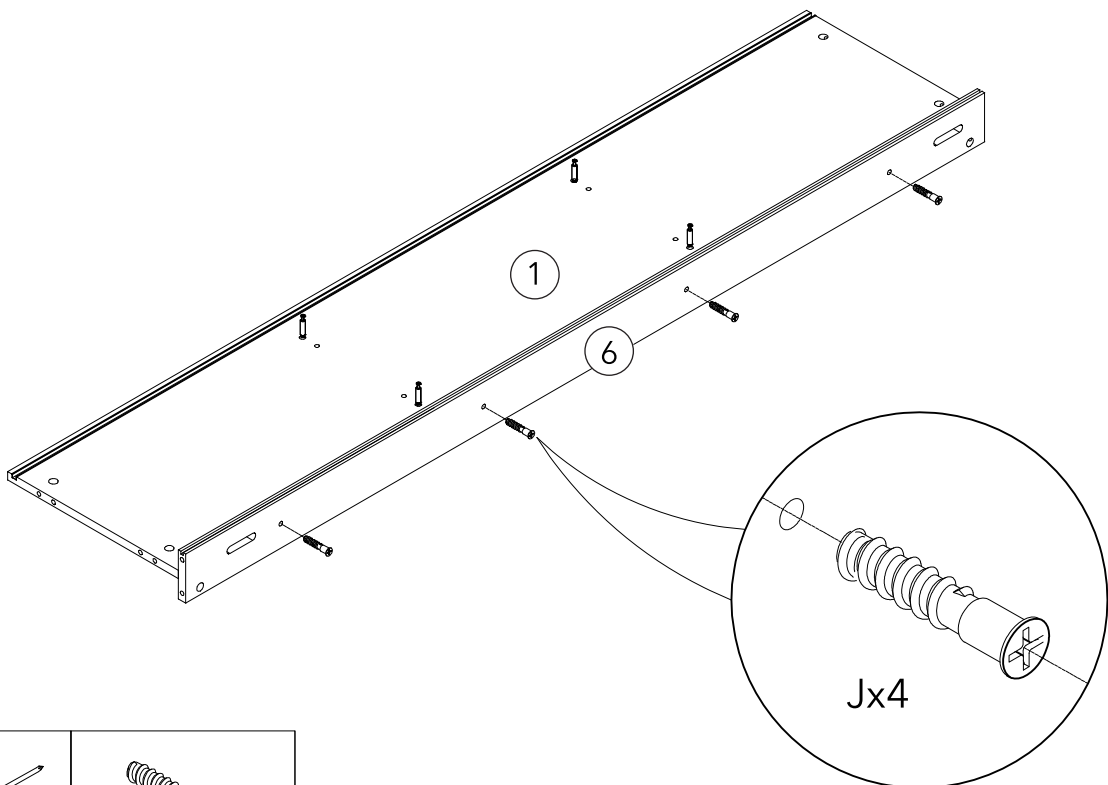
								
A	M6x40mm	22x	B	$\Phi$ 15x13.5	22x	C	$\Phi$ 8x30	22x
								
D	M3x12	32x	E	M6x12mm	24x	G	$\Phi$ 5x20	4x
								
J	M7x50mm	4x	L	H=172	4x	M	/	4x
								
N	M3x12	8x	P	/	2x	S	$\Phi$ 10	8x
								
T	H=169	2x	U	$\Phi$ 50	2x	Z	$\Phi$ 20	22x



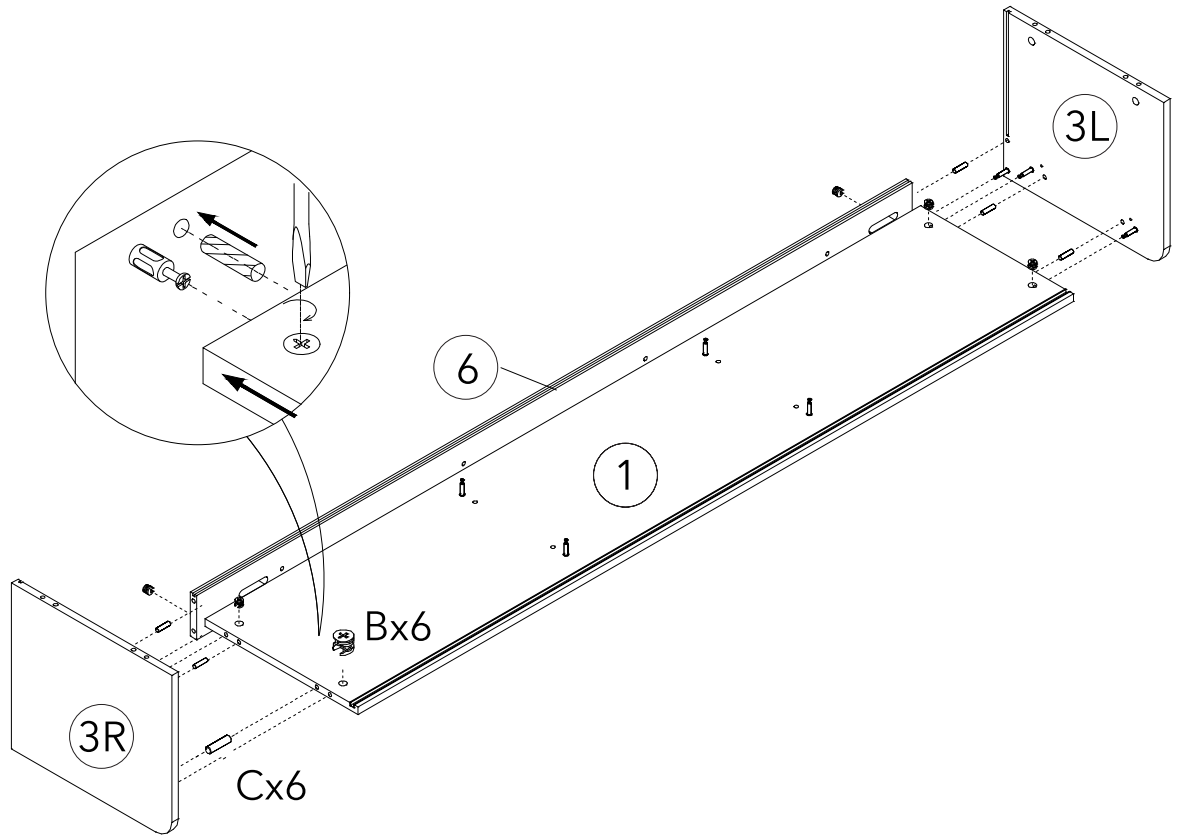
1



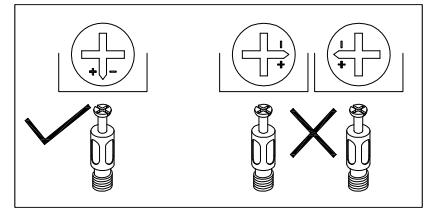
2



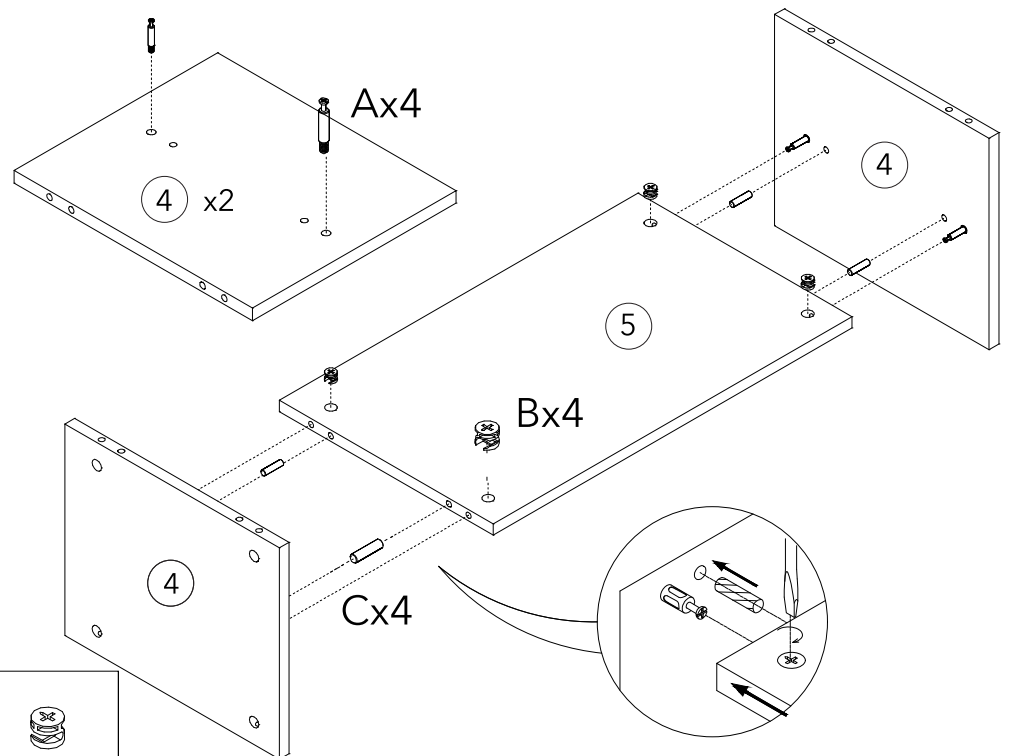
# 3



B	$\Phi 15 \times 13.5$ 6x
C	$\Phi 8 \times 30$ 6x

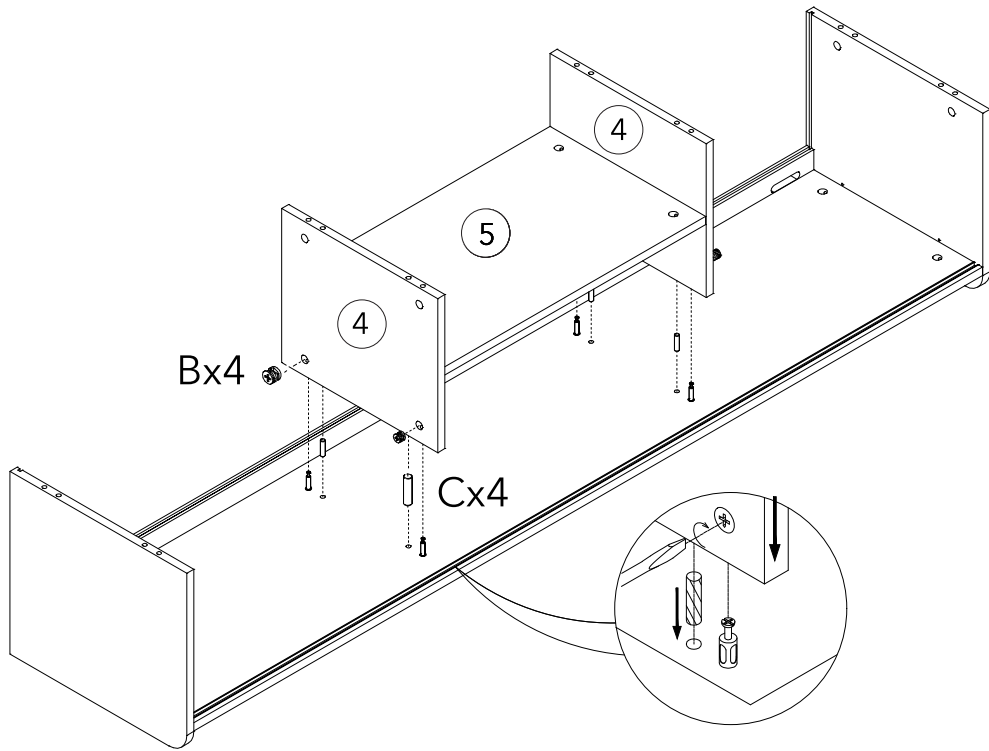


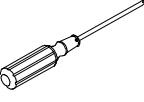



# 4



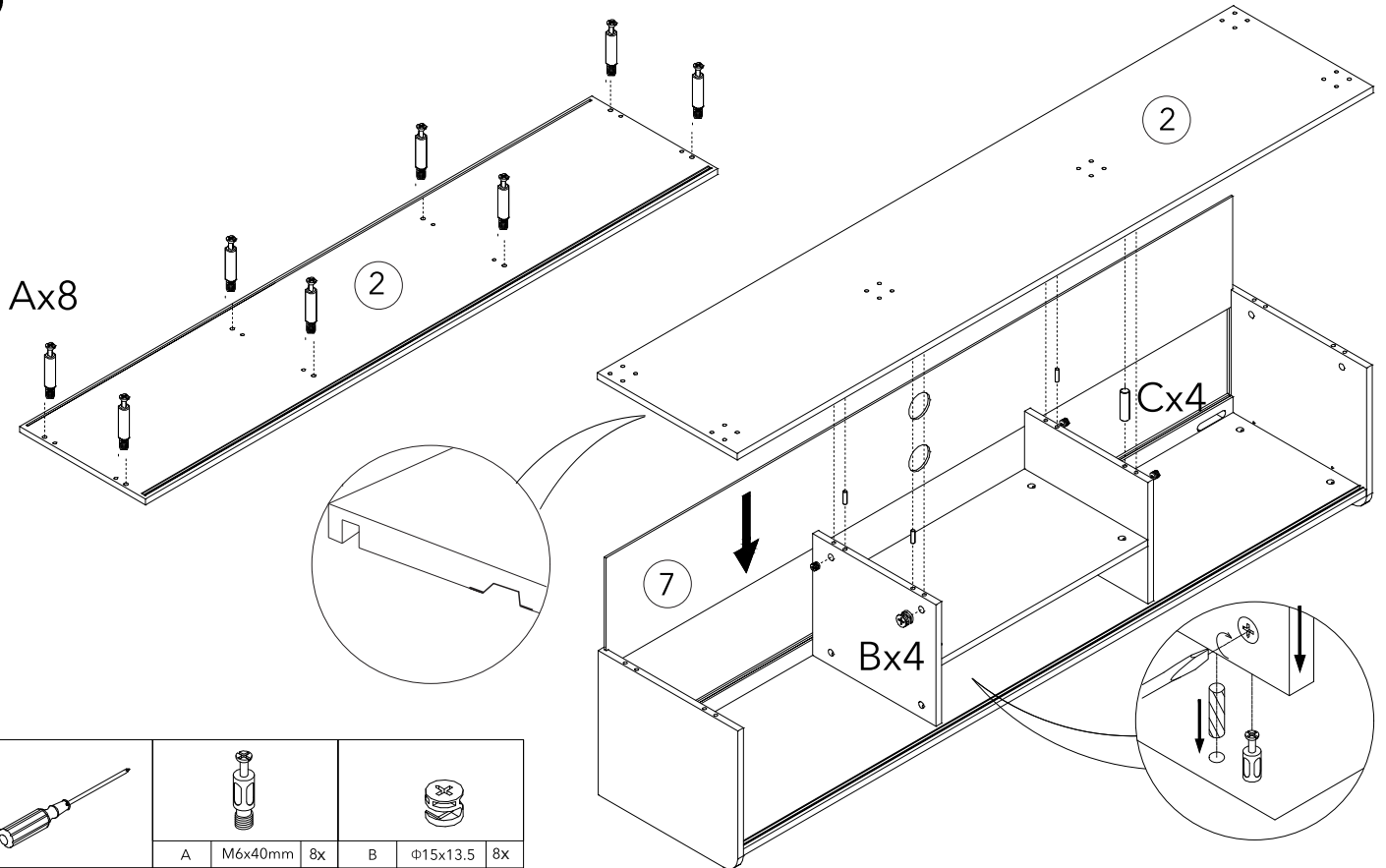
A	M6x40mm 4X	B	$\Phi 15 \times 13.5$ 4X
		C	$\Phi 8 \times 30$ 4X

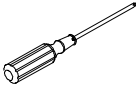




# 5



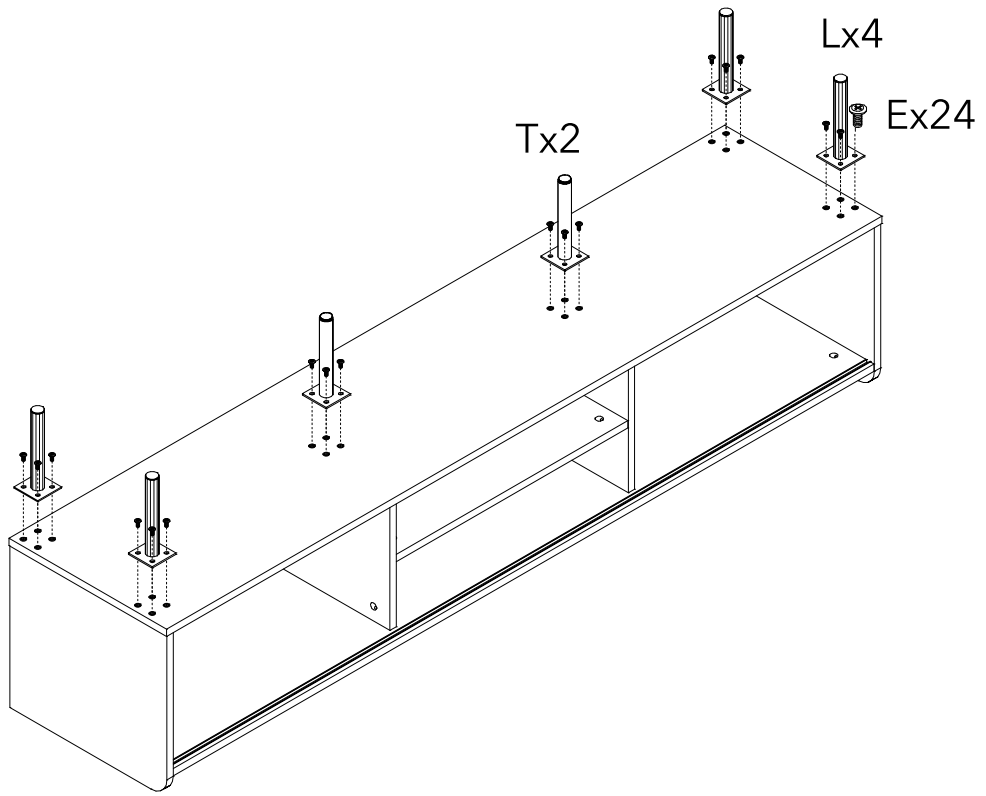
			
	B	Φ15x13.5	4x
			
	C	Φ8x30	4x

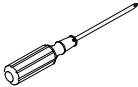



# 6



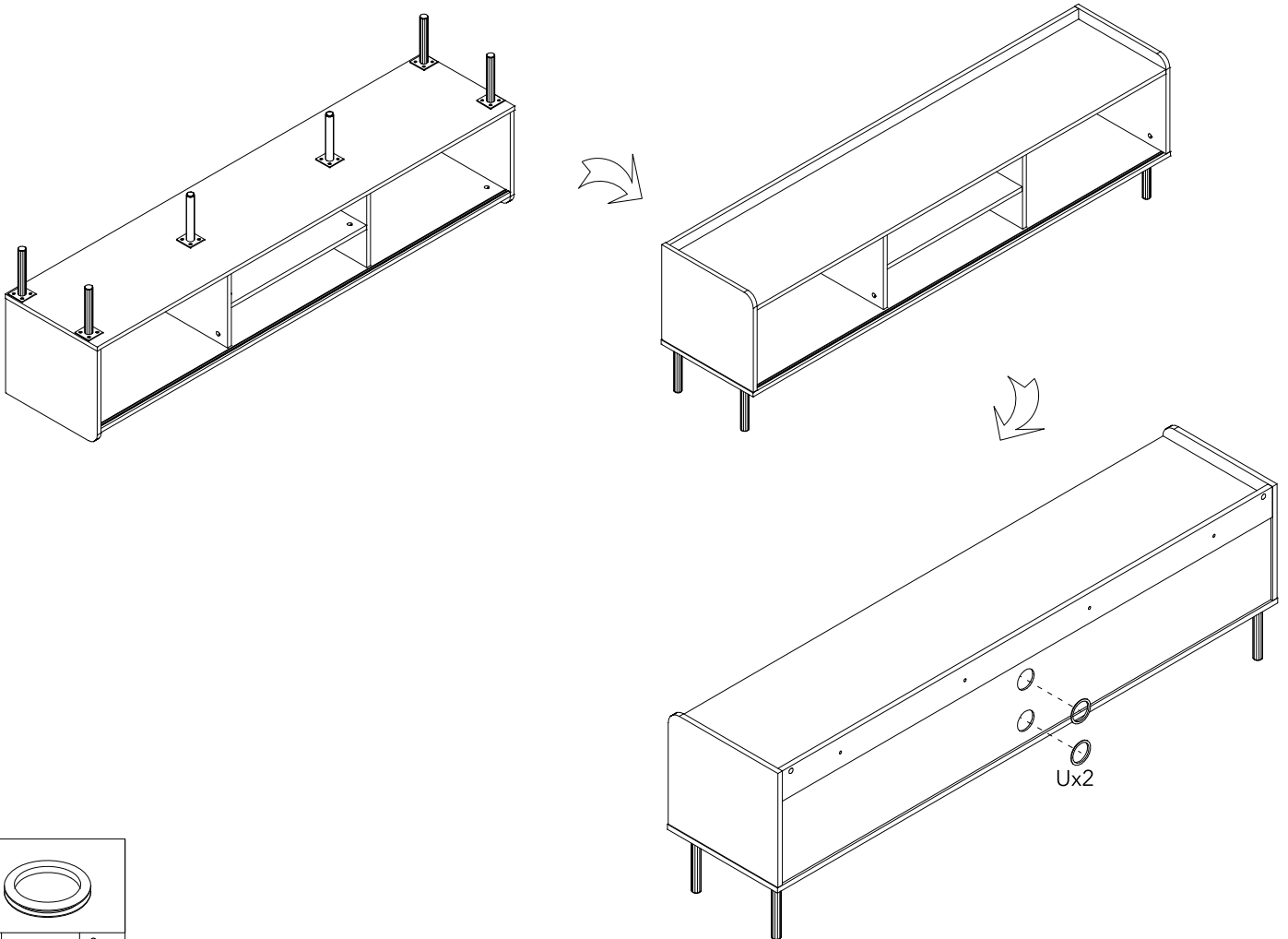
					
	A	M6x40mm	8x	B	Φ15x13.5
					
	C	Φ8x30	8x		


7

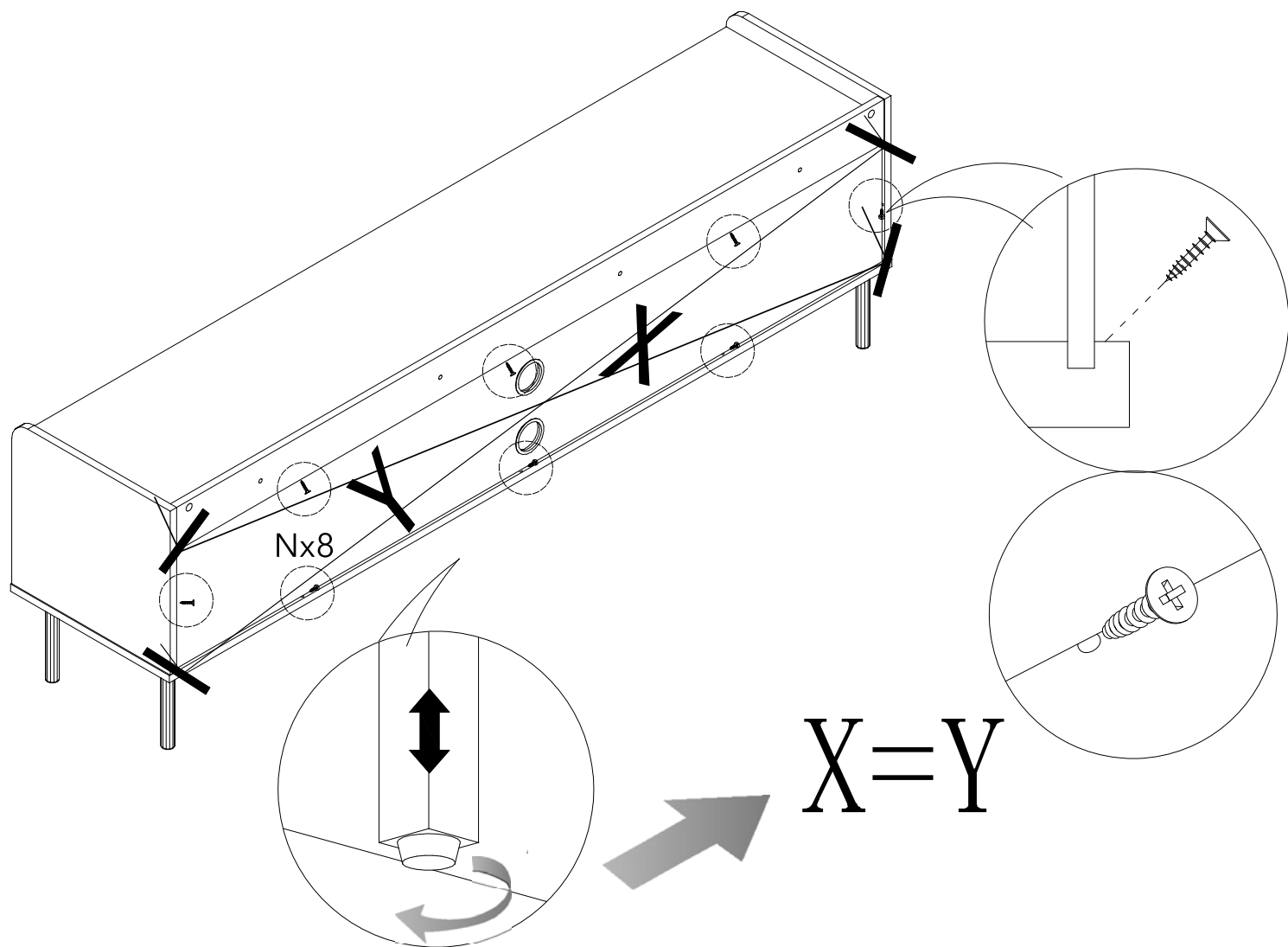


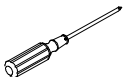

			
E	M6x12mm 24x	L H=172 4x	T H=169 2x

8

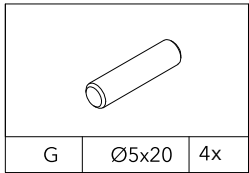
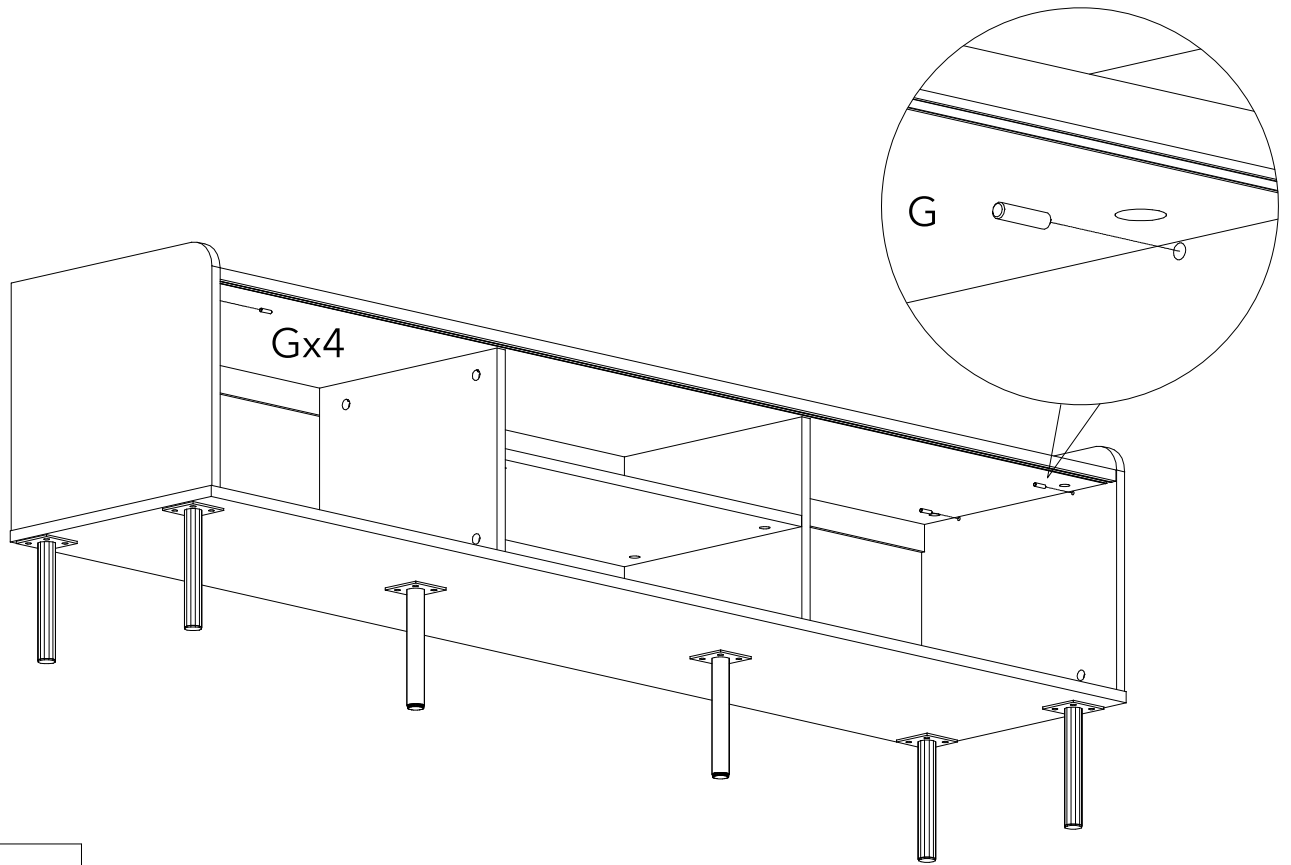



U Ø50 2x

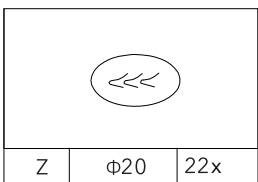
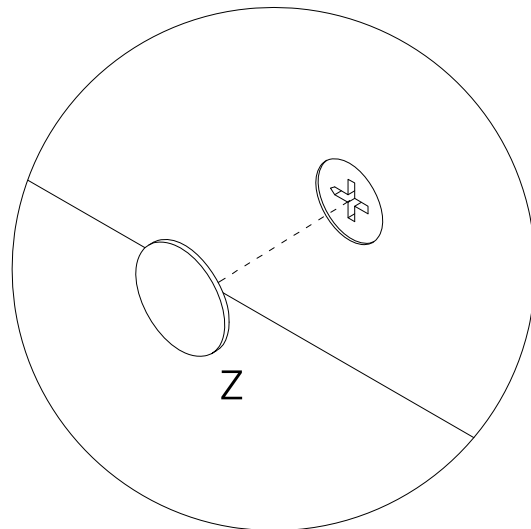


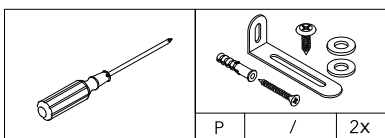
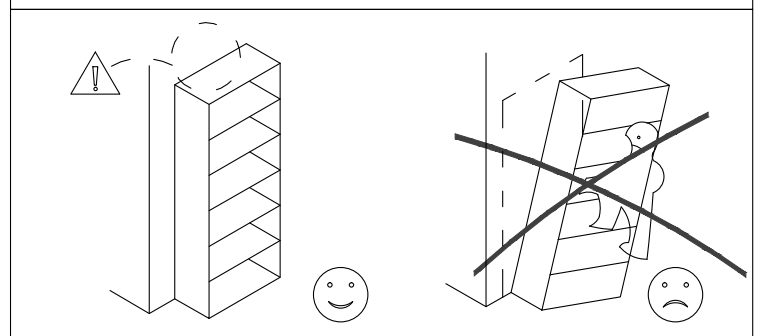
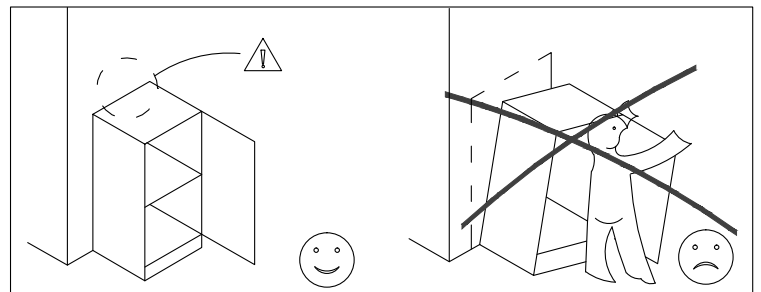
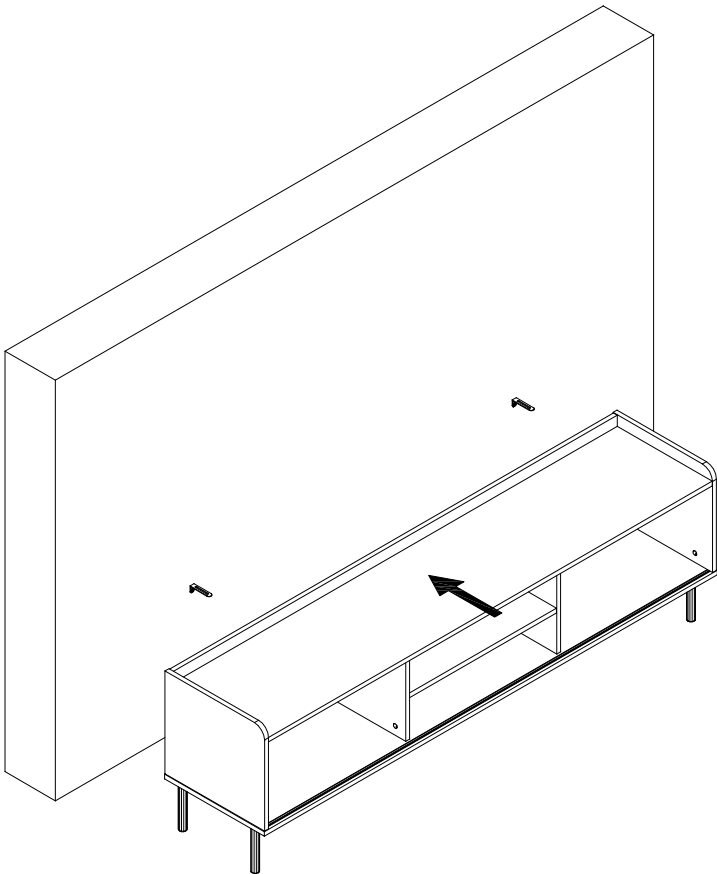
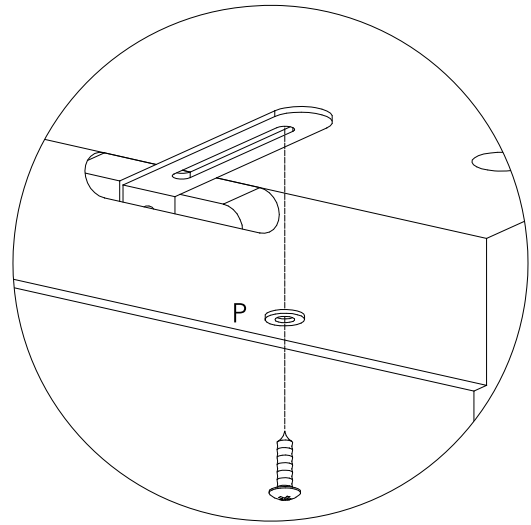
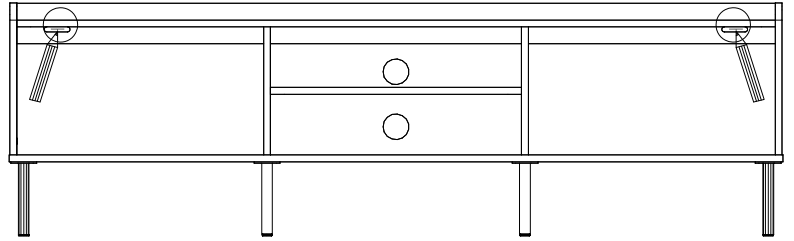
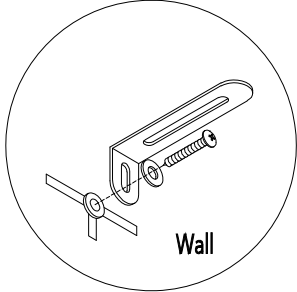
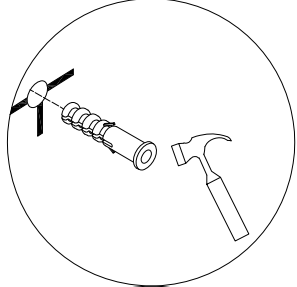
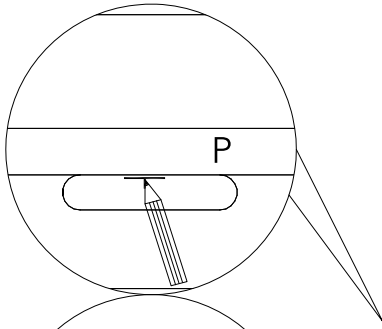
	
N	M3x12 8x

10

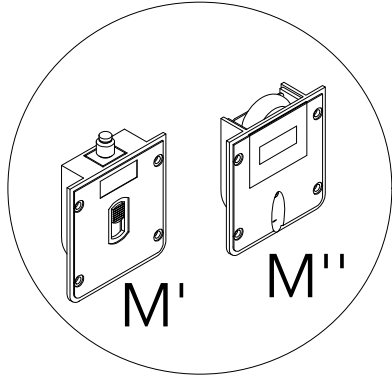
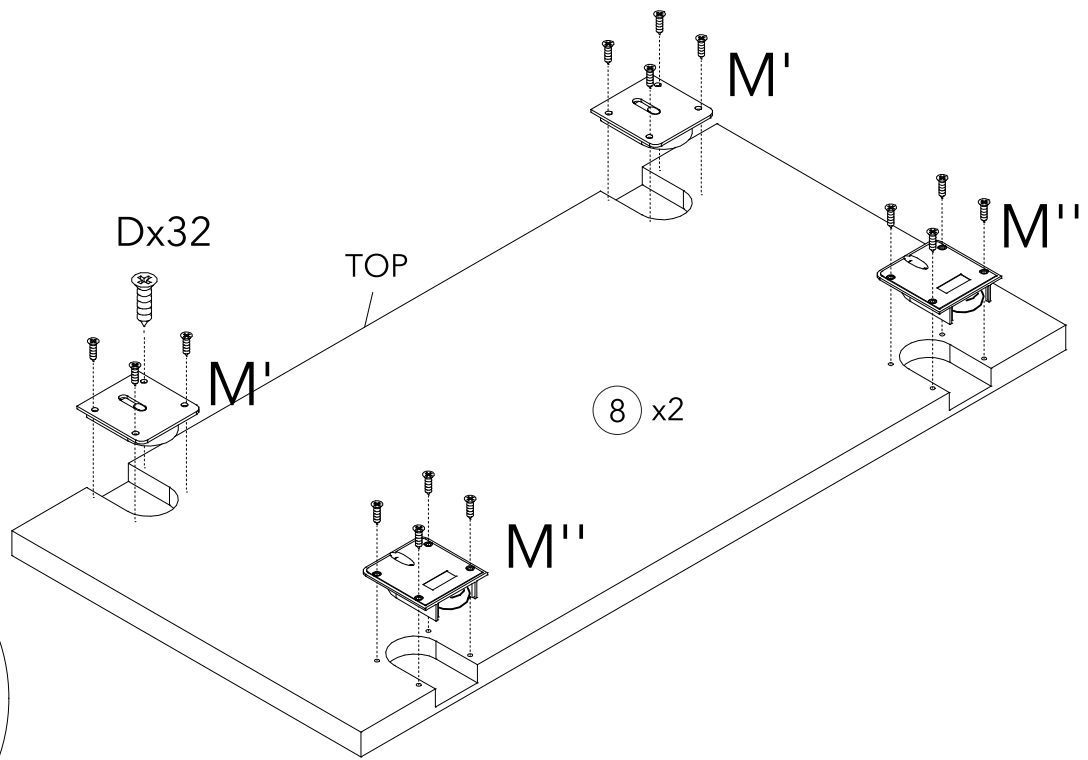


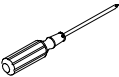
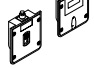


11



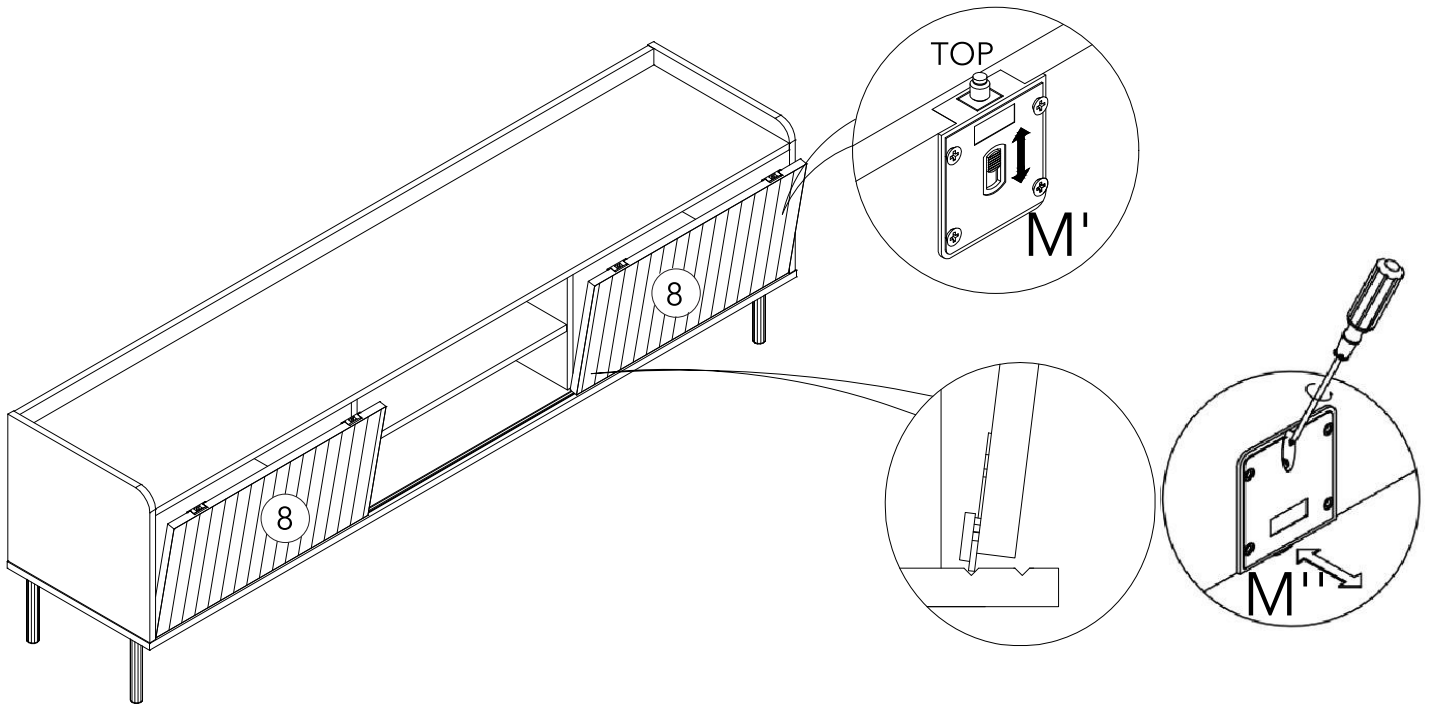


# 13

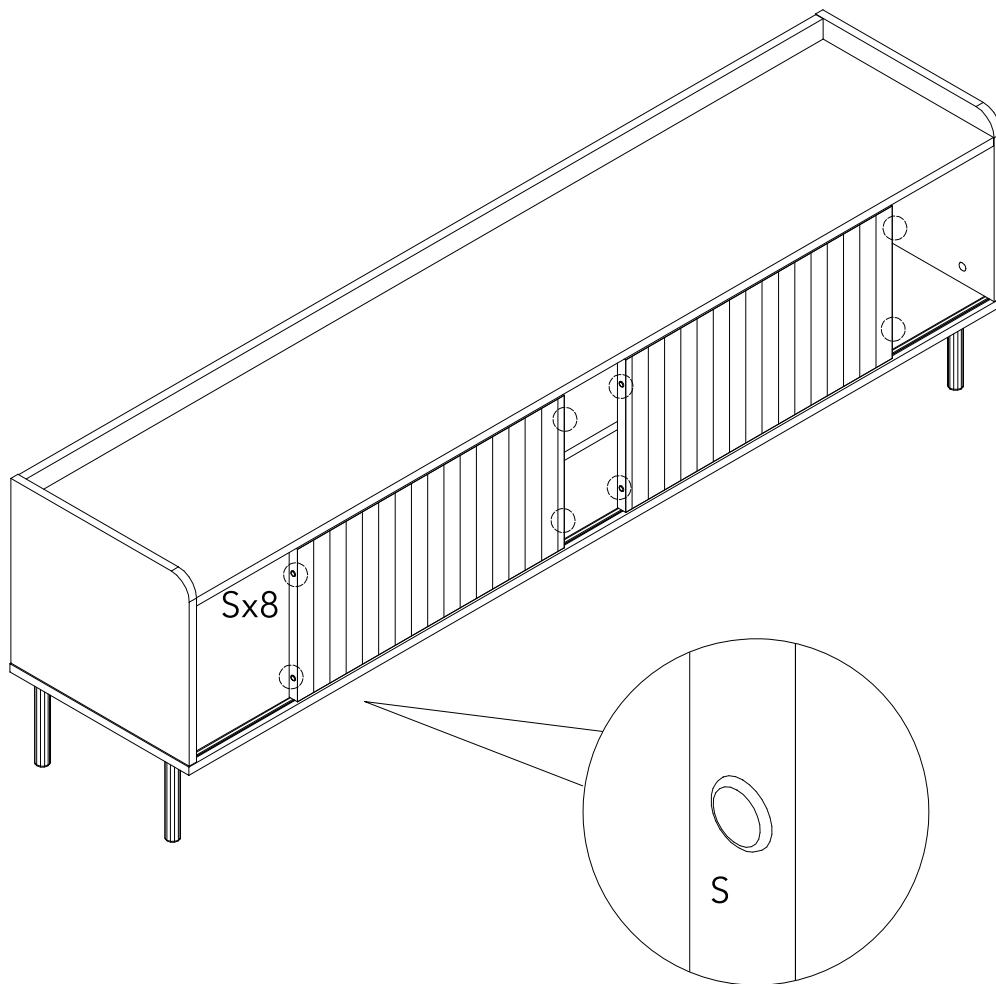



			
	M	/	4x
	D	M3x12	32x

# 14



15



		
S	Ø10	8X

