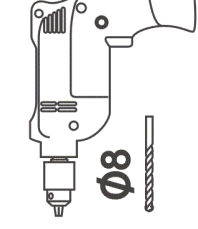
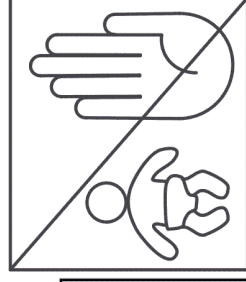
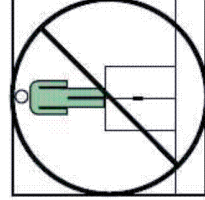
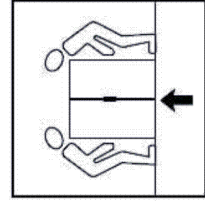
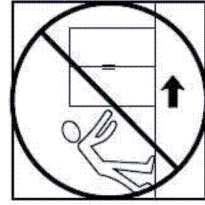
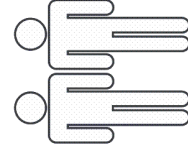
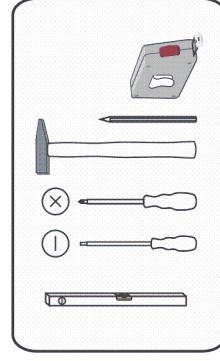
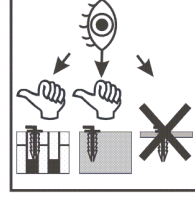
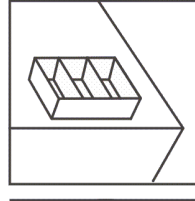
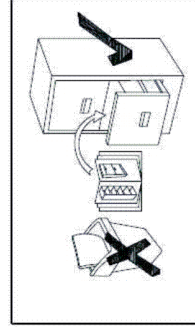
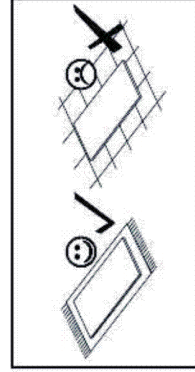
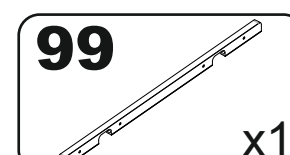
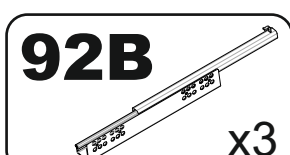
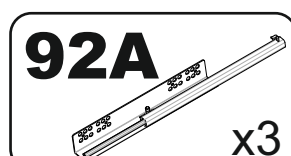
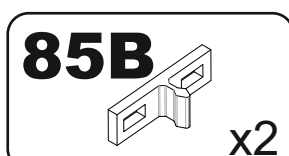
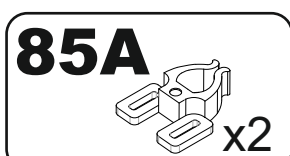
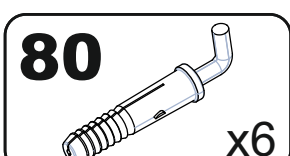
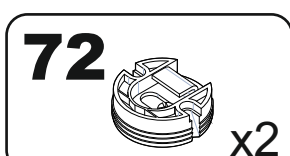
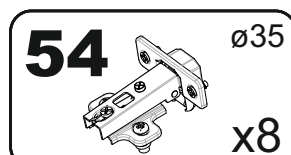
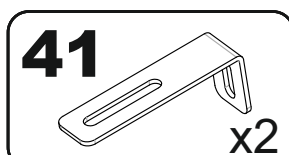
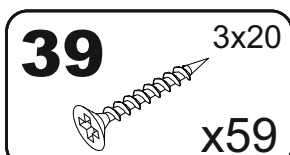
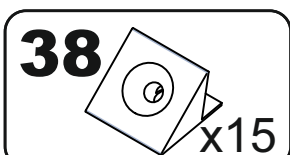
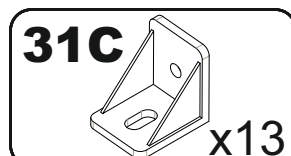
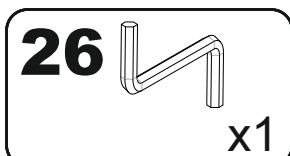
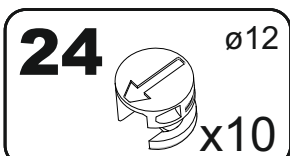
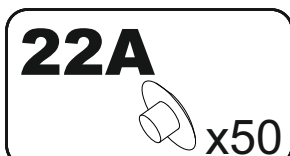
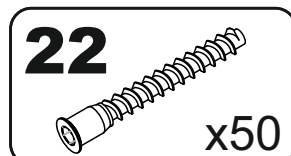
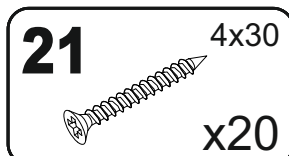
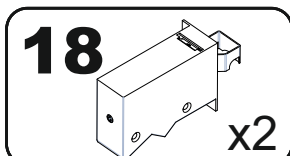
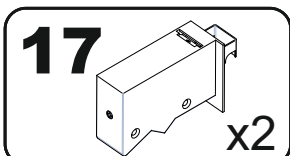
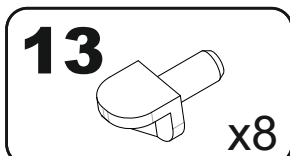
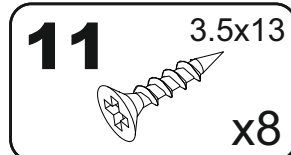
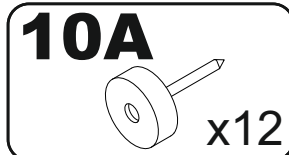
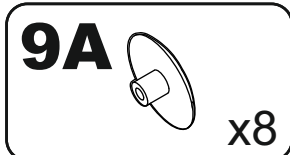
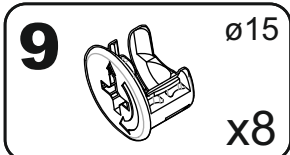
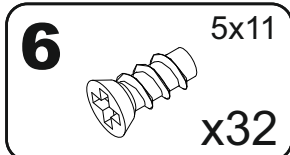
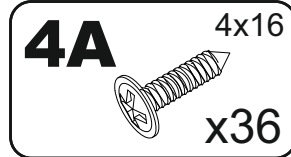
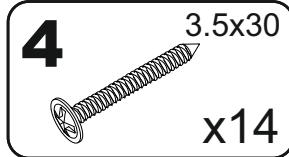
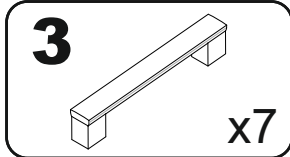
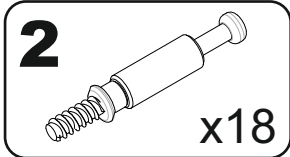
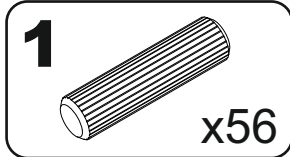
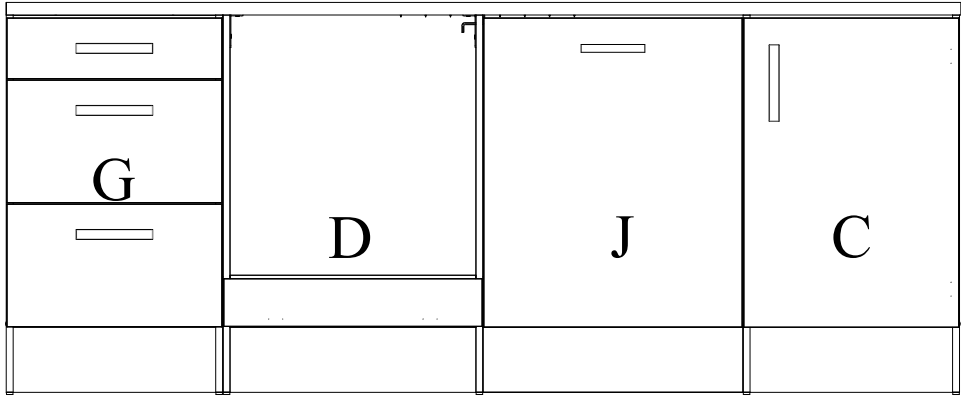
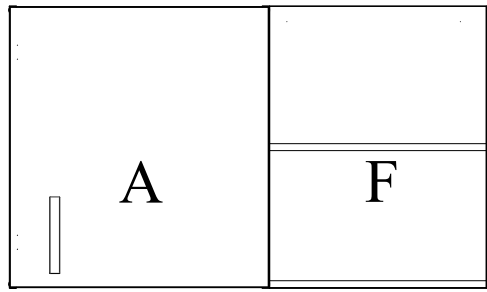
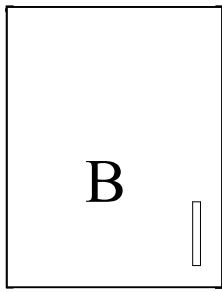
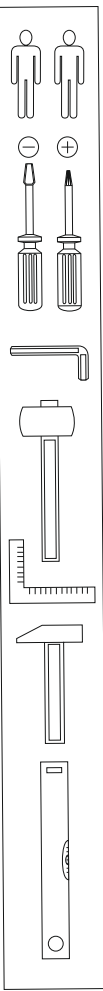
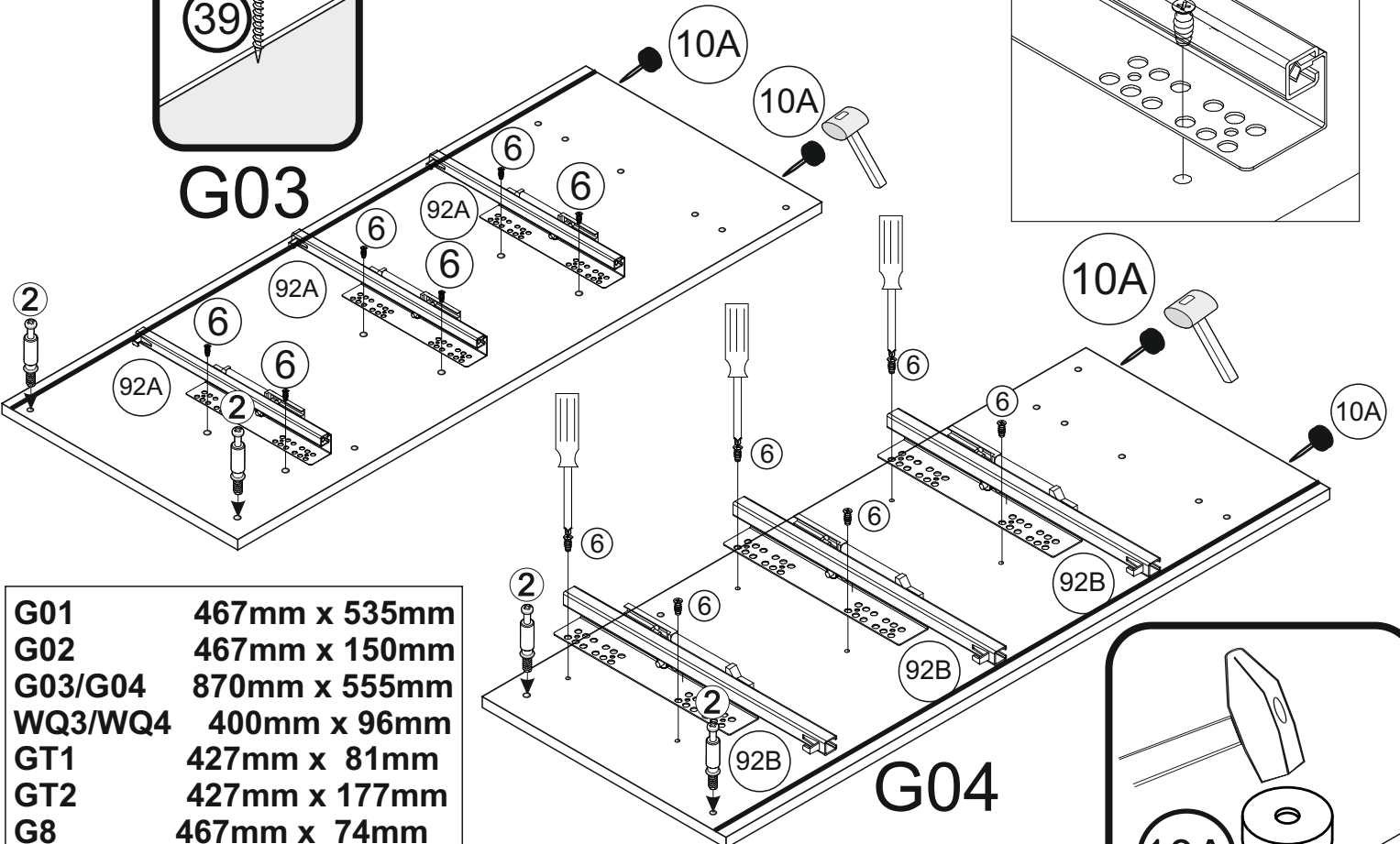
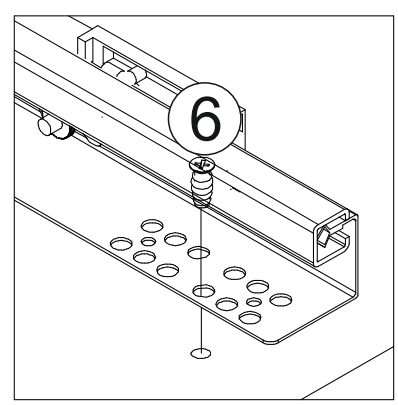
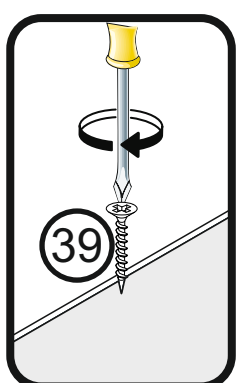
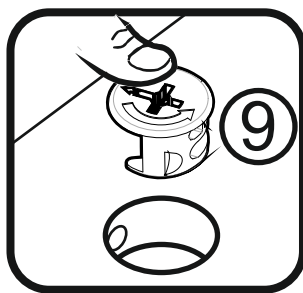
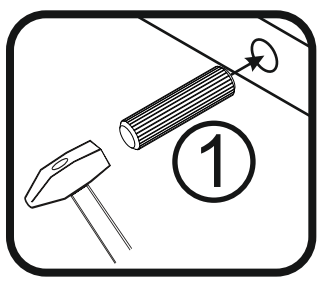
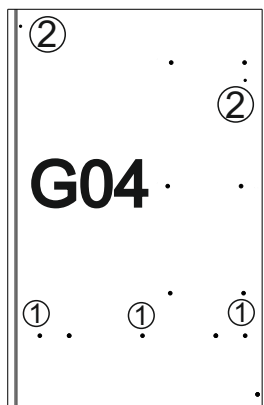
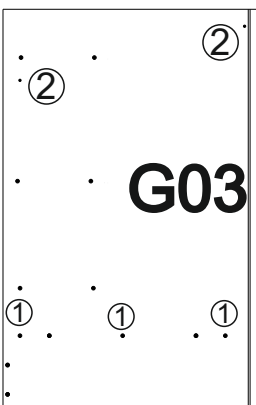
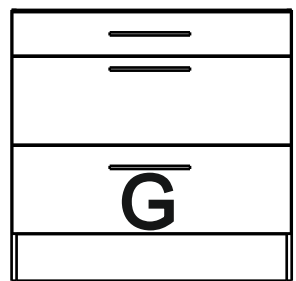


180 min

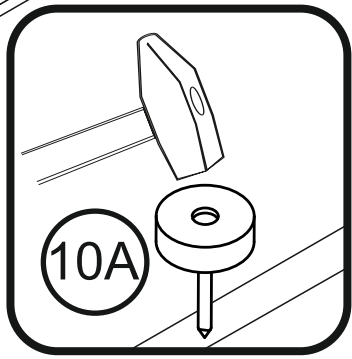




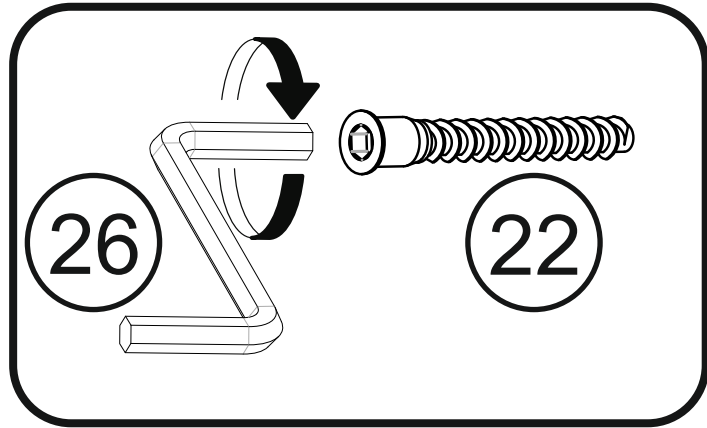
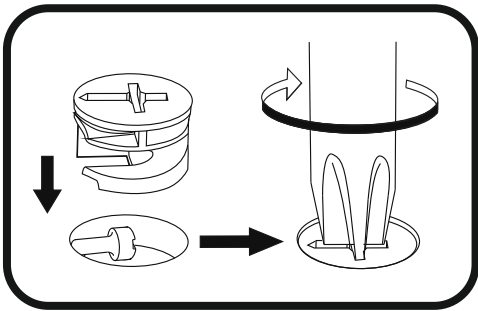
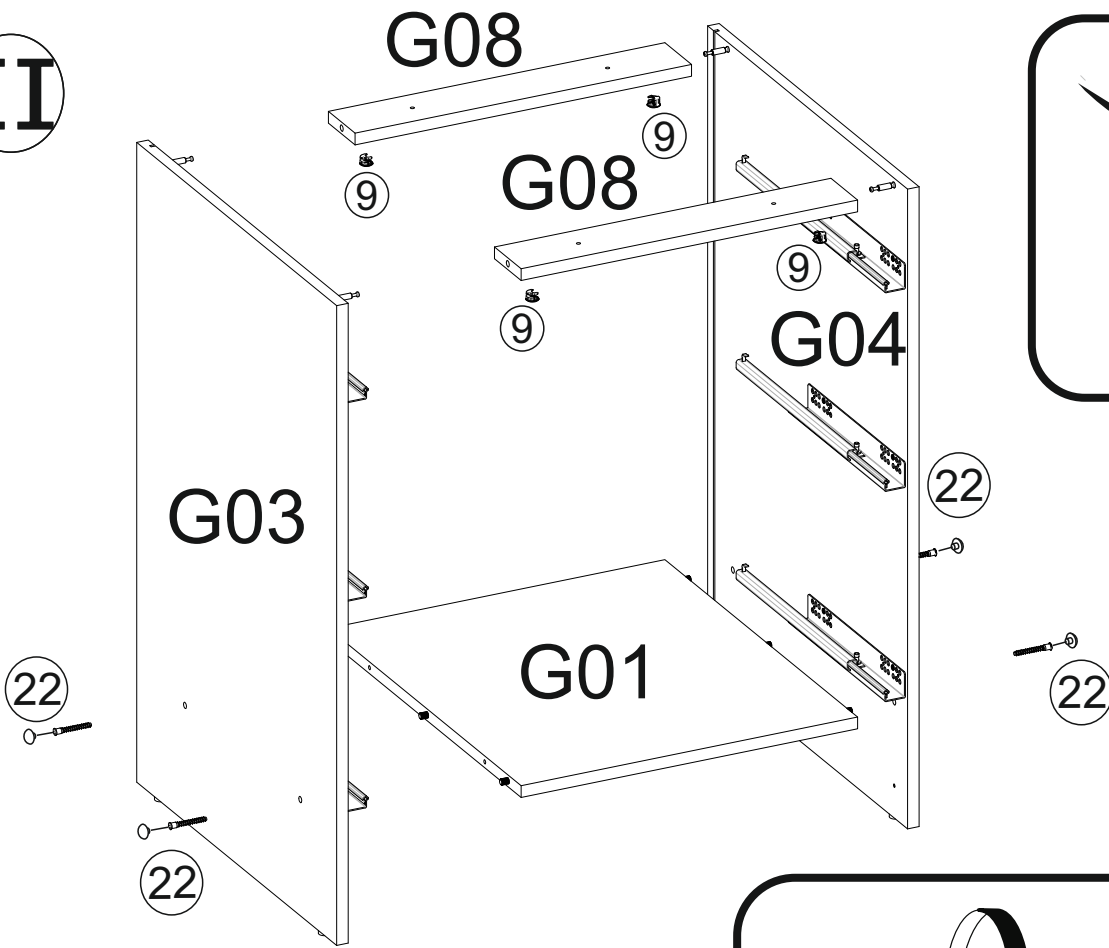
I



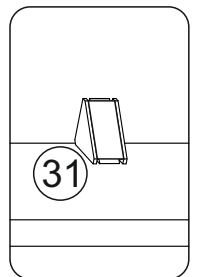
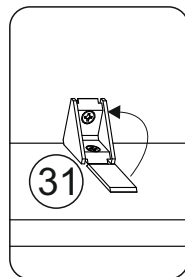
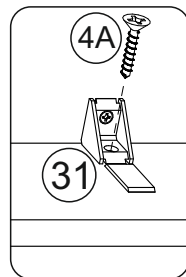
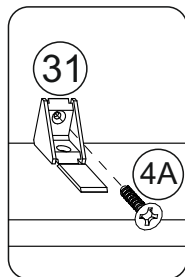
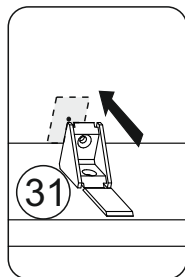
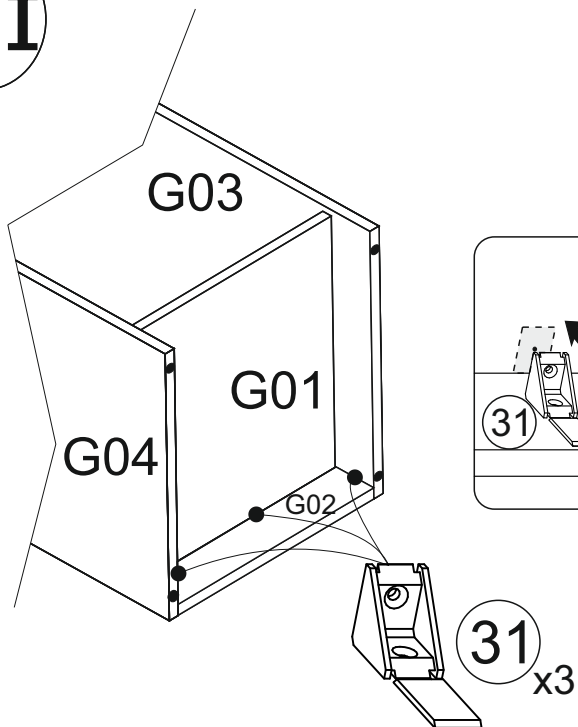
G01	467mm x 535mm
G02	467mm x 150mm
G03/G04	870mm x 555mm
WQ3/WQ4	400mm x 96mm
GT1	427mm x 81mm
GT2	427mm x 177mm
G8	467mm x 74mm



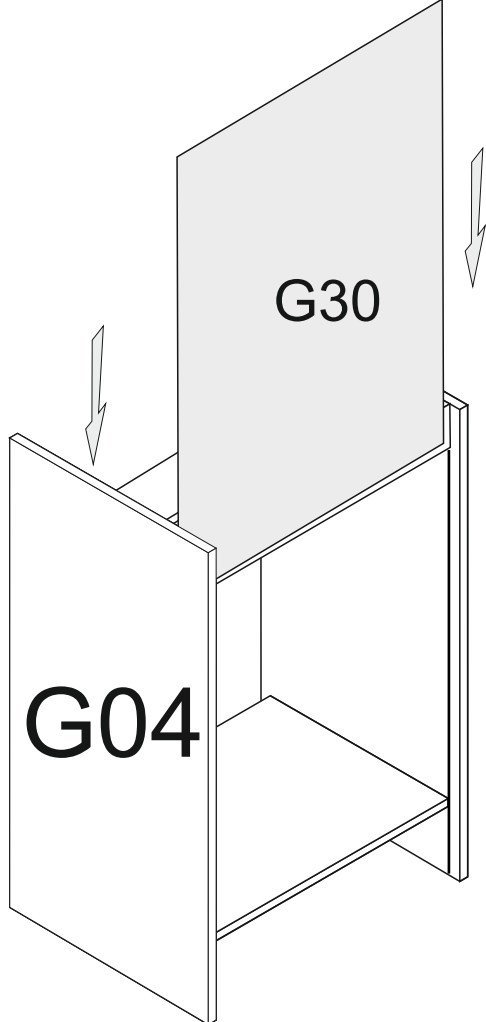
II



III

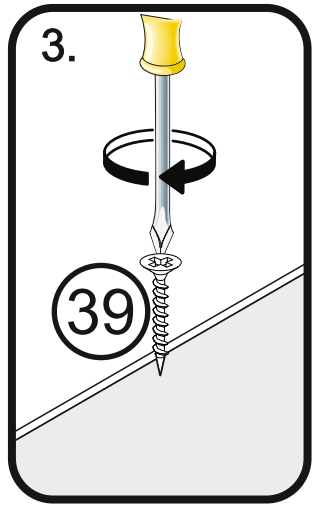
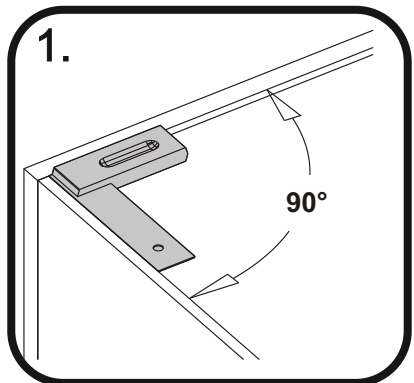
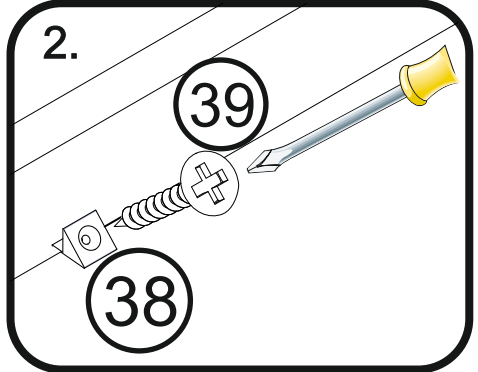
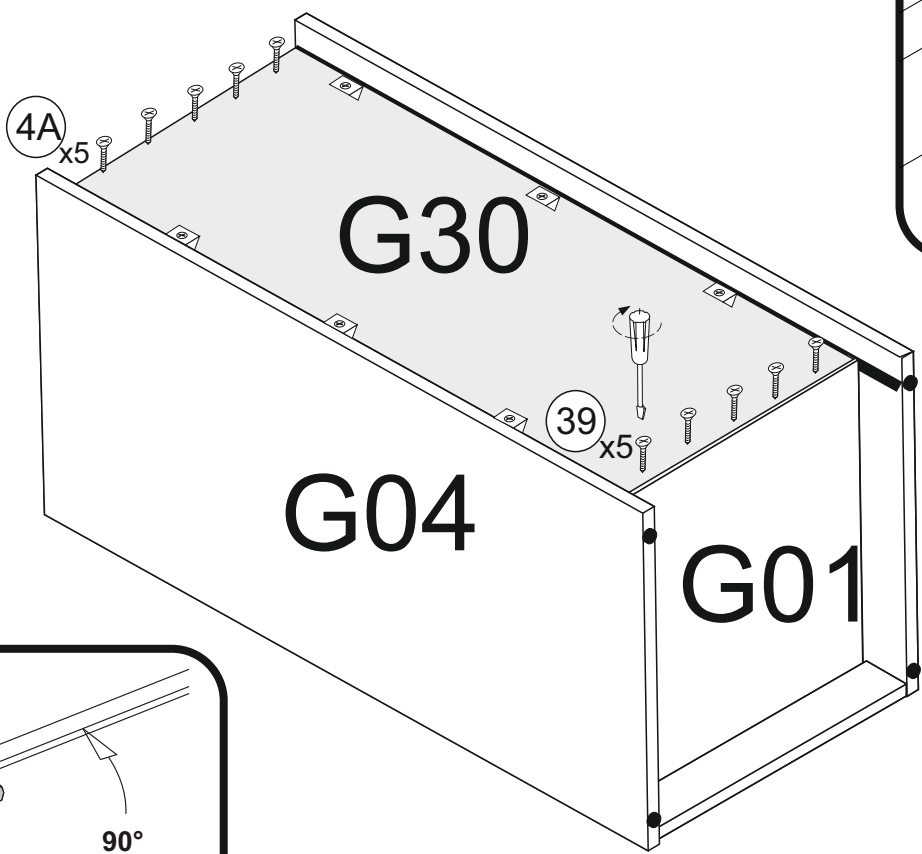


IV



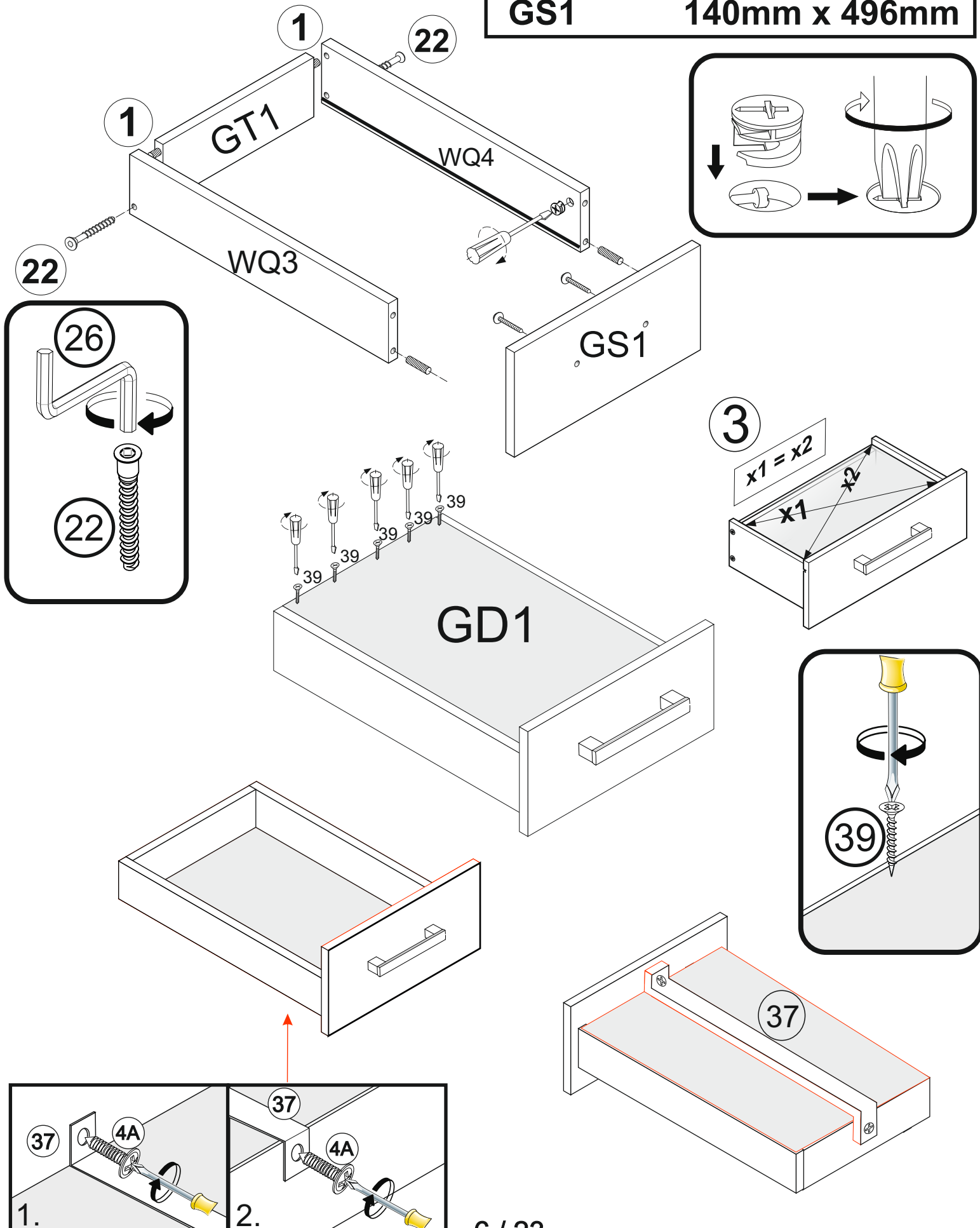
G30 717mm x 477mm

V



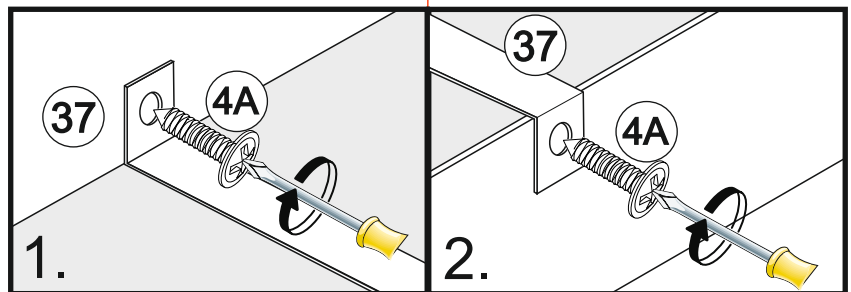
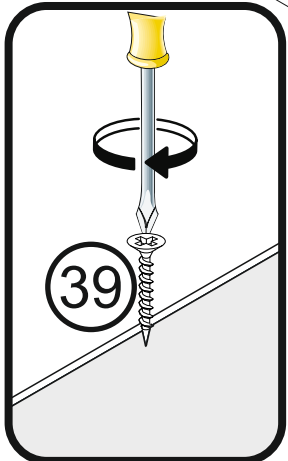
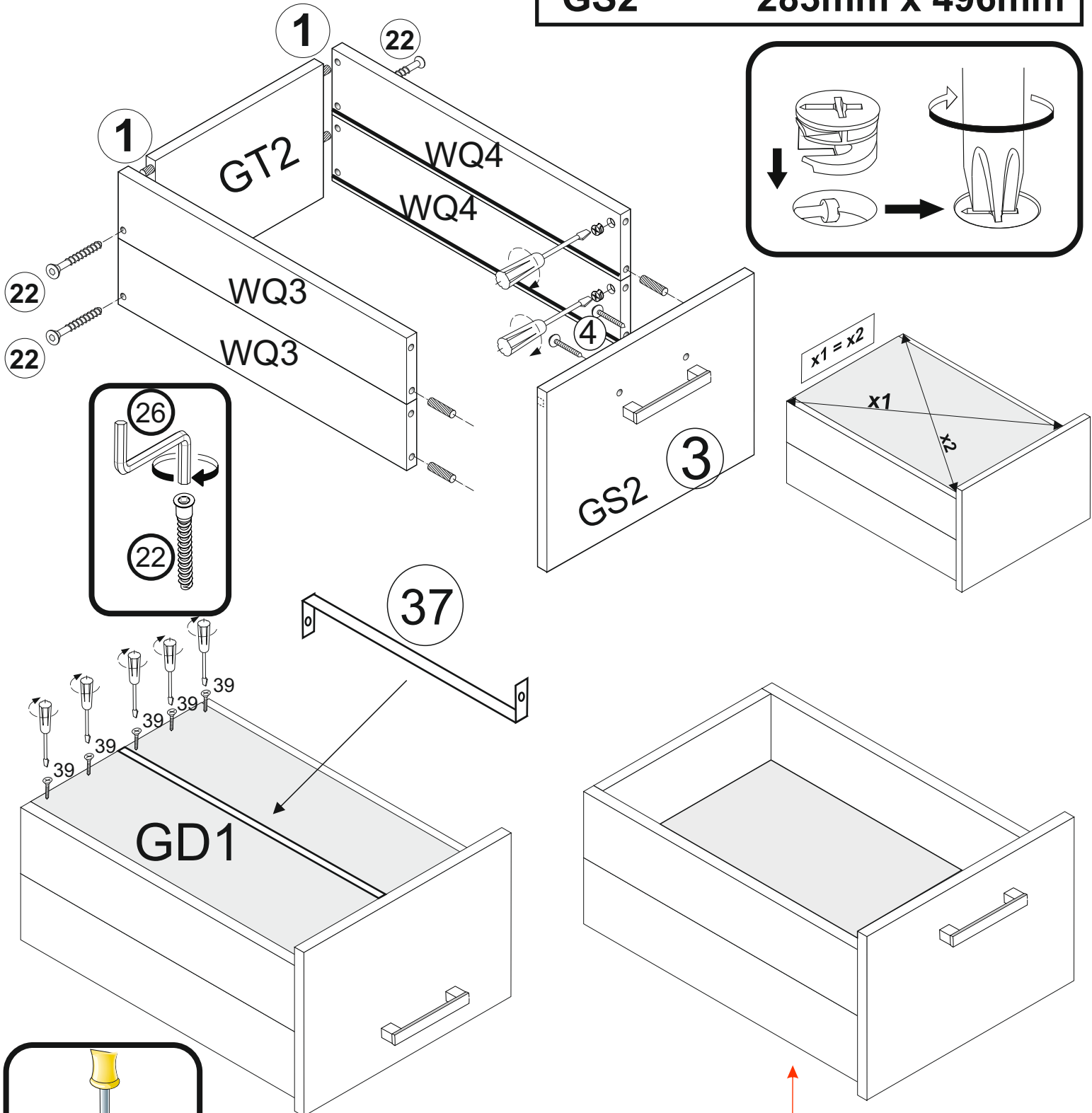
VI

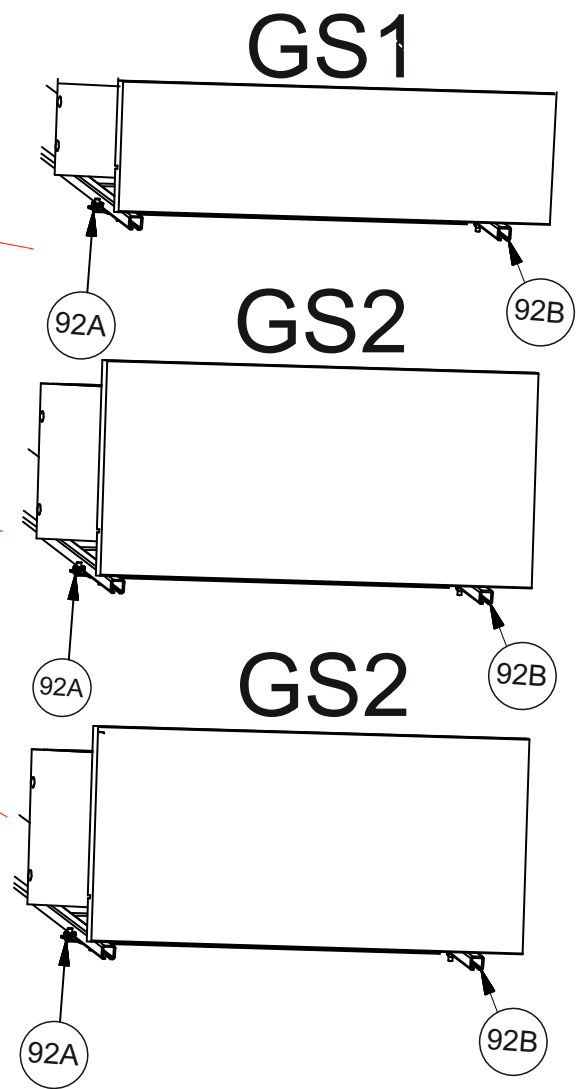
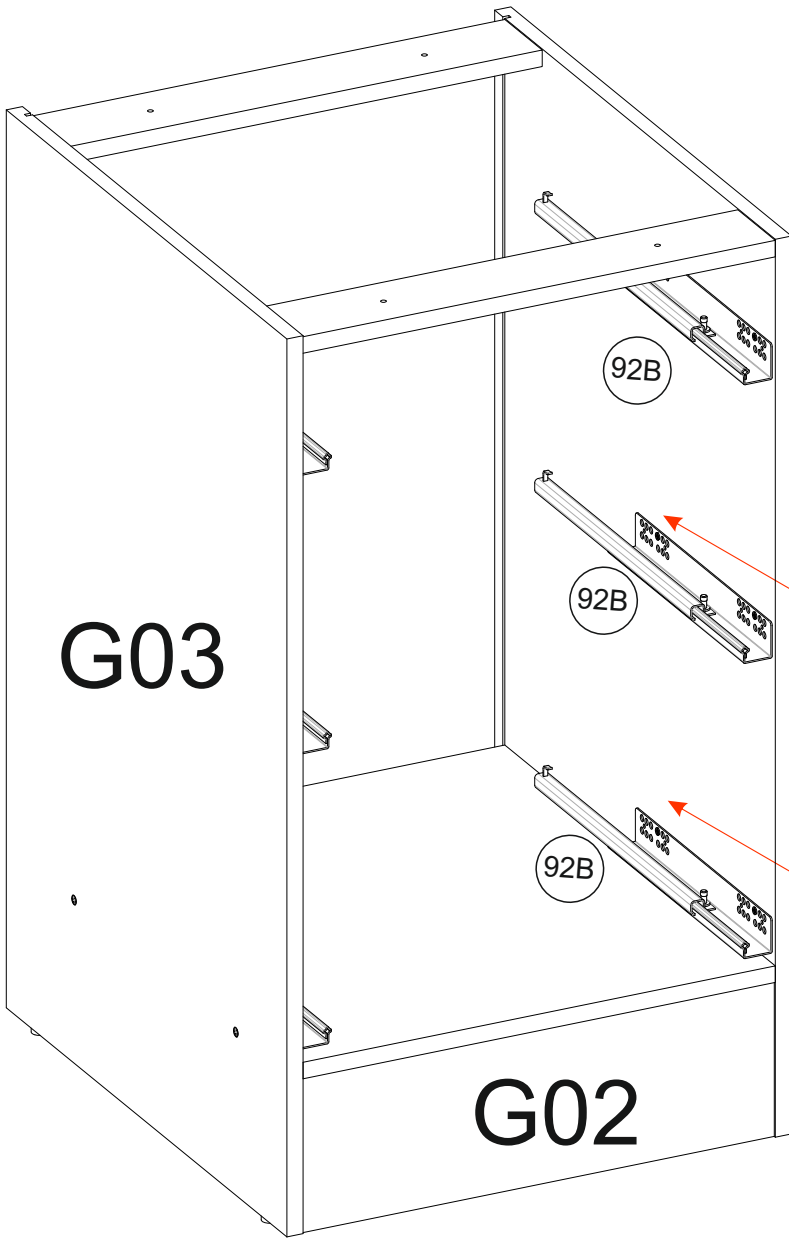
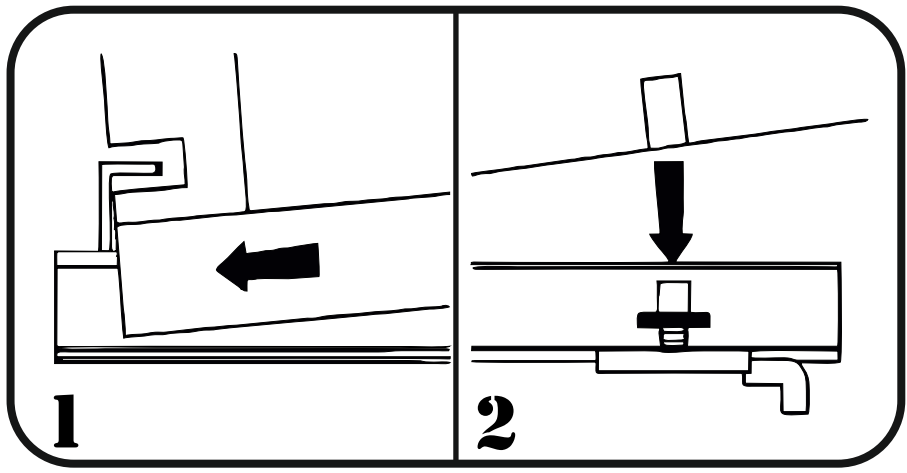
WQ3/WQ4	400mm x 96mm
GT1	427mm x 81mm
GD1	437mm x 403mm
GS1	140mm x 496mm



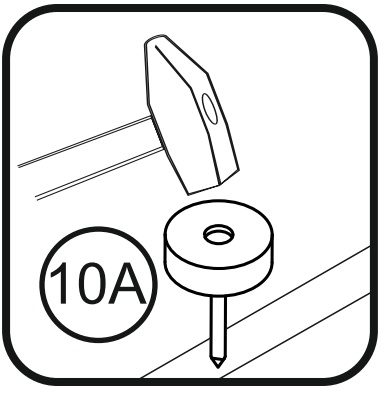
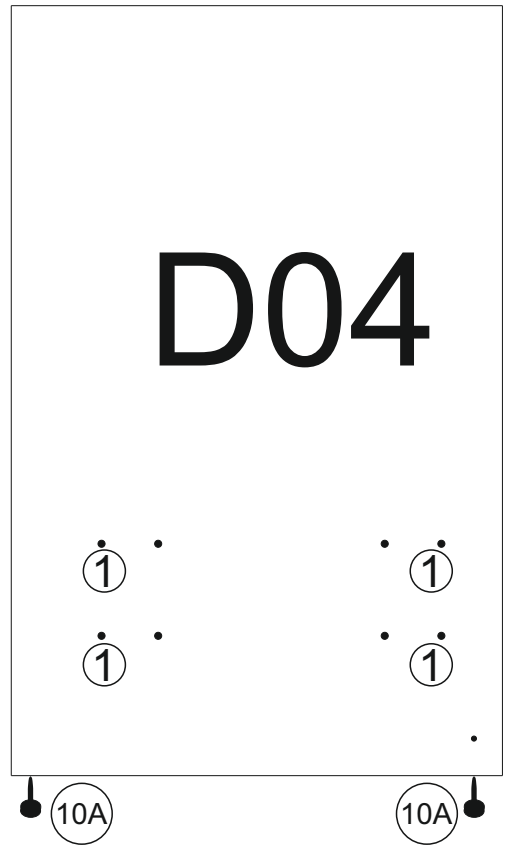
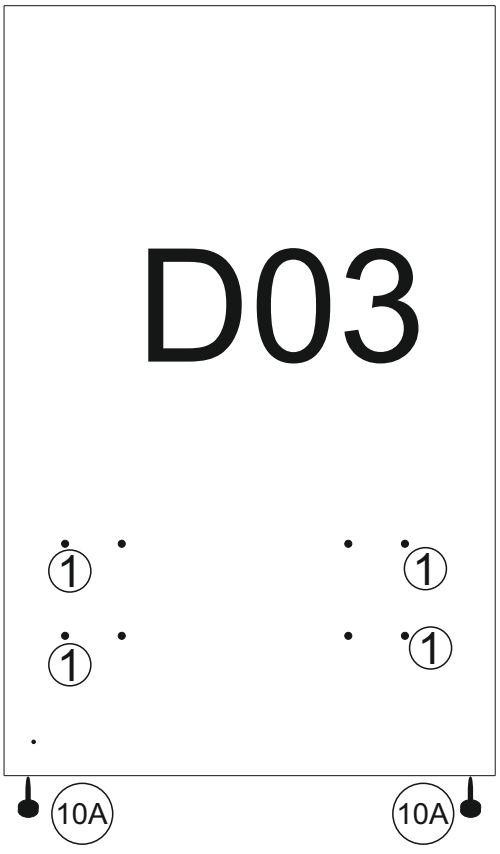
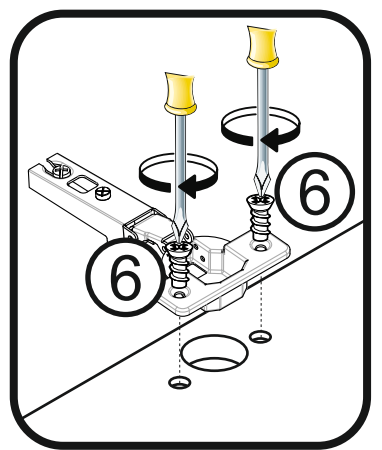
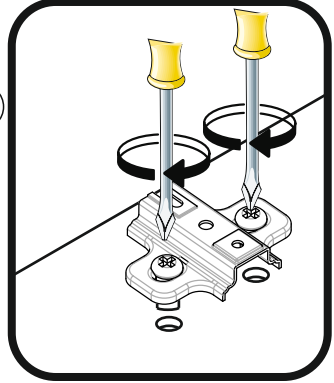
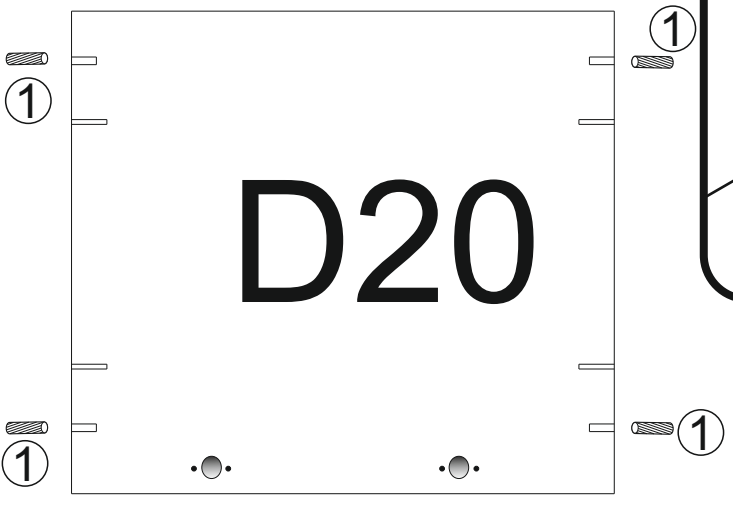
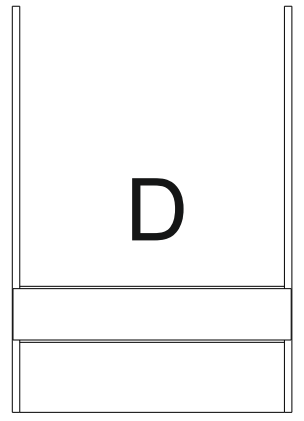
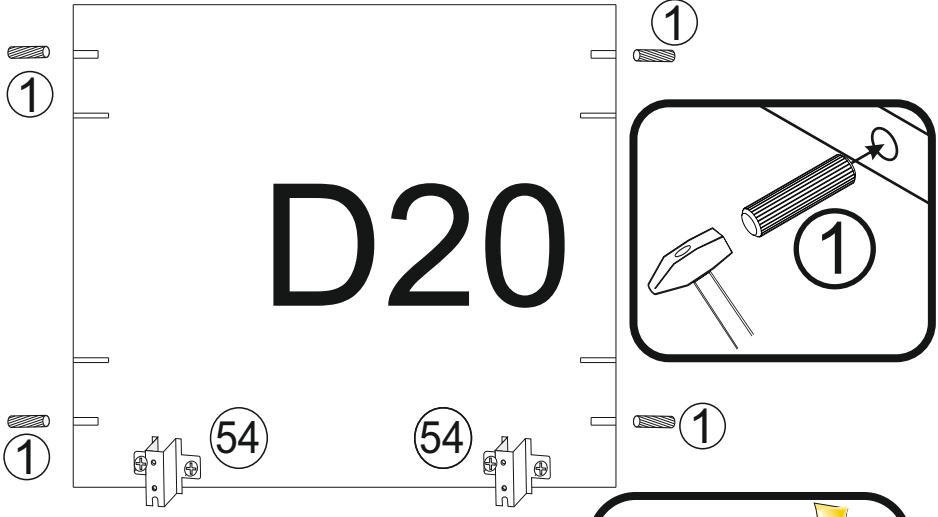
VII

WQ3/WQ4	400mm x 96mm
GT2	427mm x 177mm
GD1	437mm x 403mm
GS2	283mm x 496mm

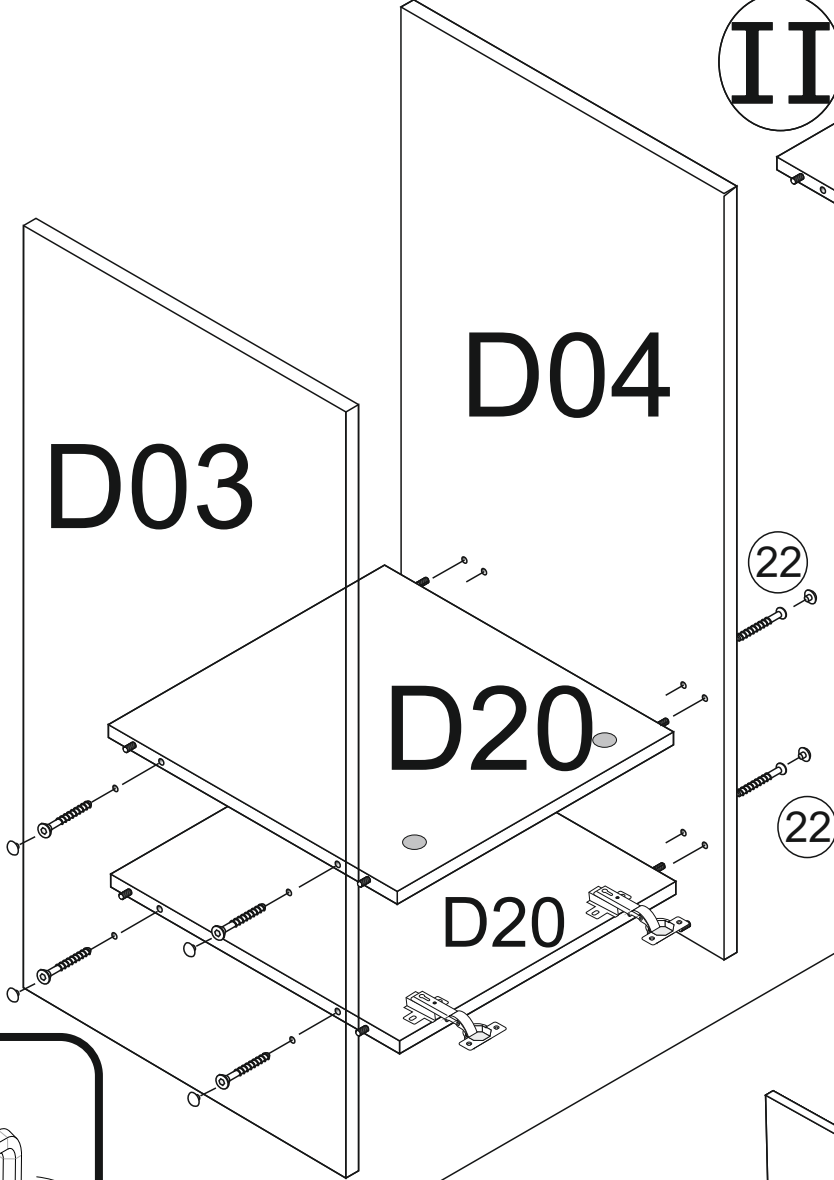




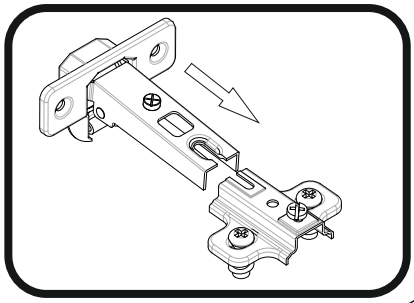
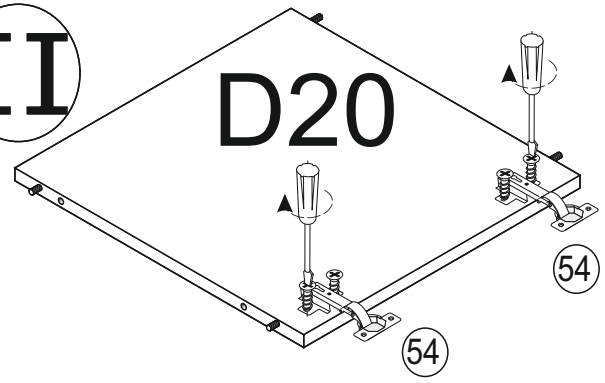
I



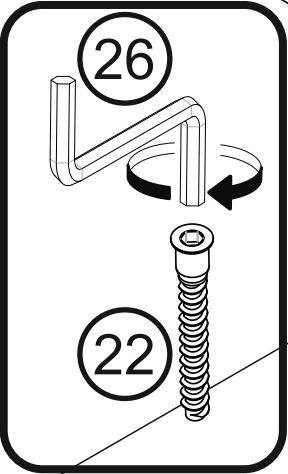
III



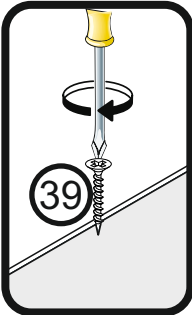
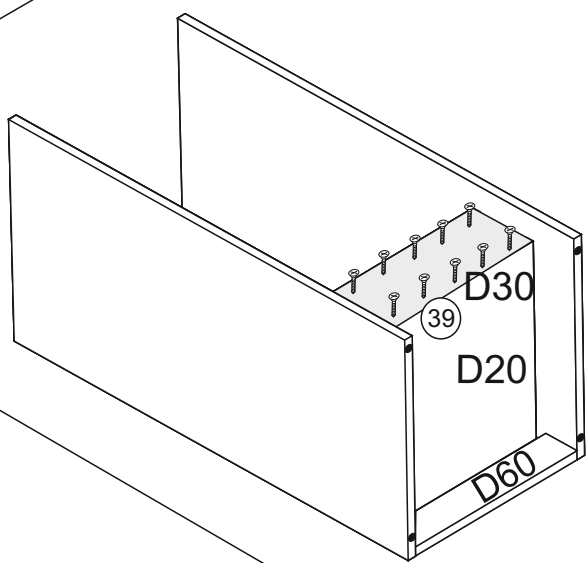
II



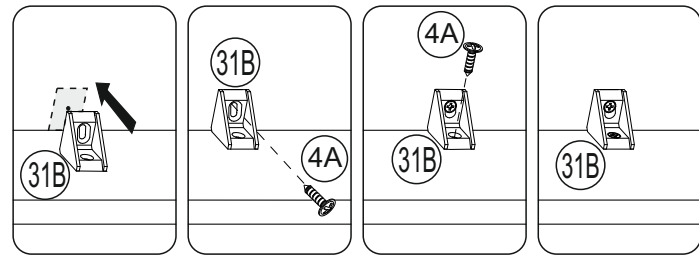
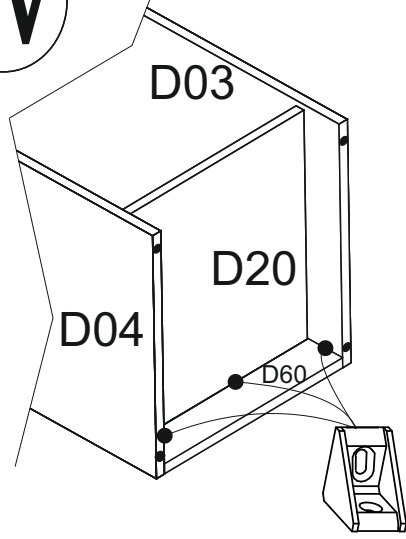
D03/D0	4870mm x 555mm
D20	567mm x 510mm
D30	566mm x 120mm
D60	567mm x 150mm



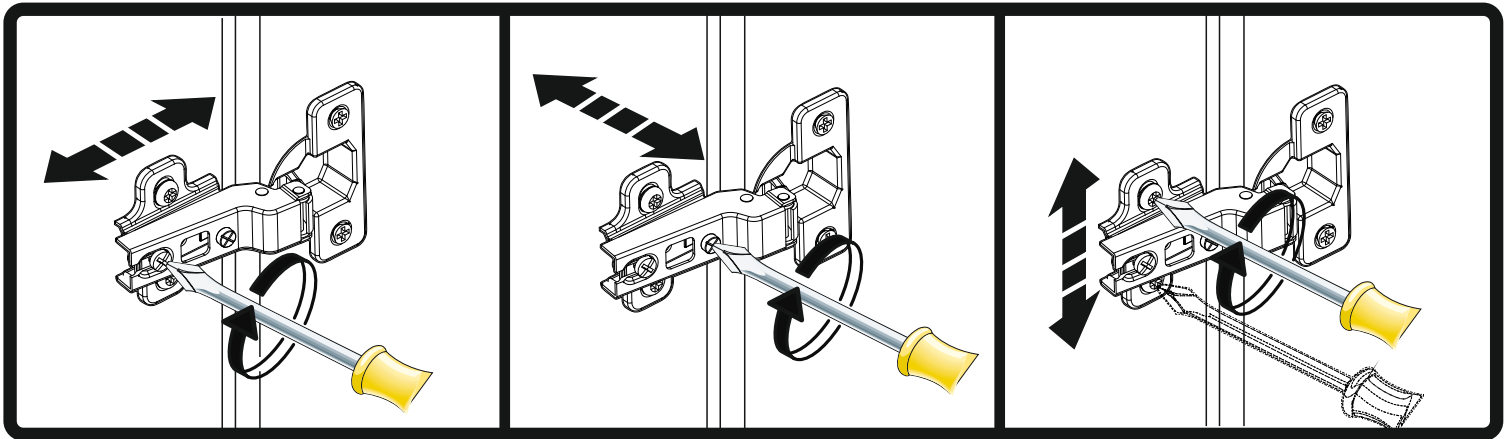
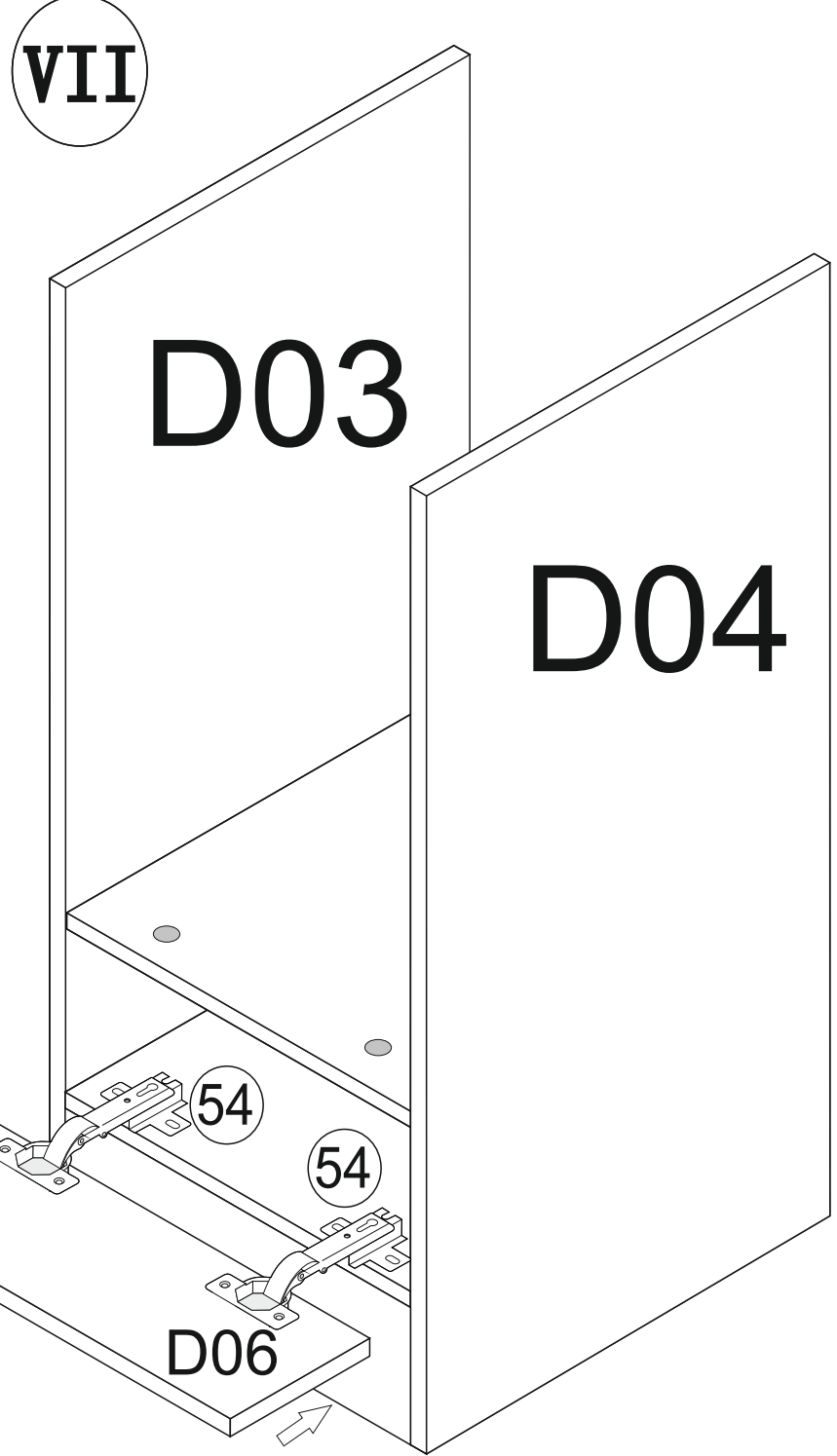
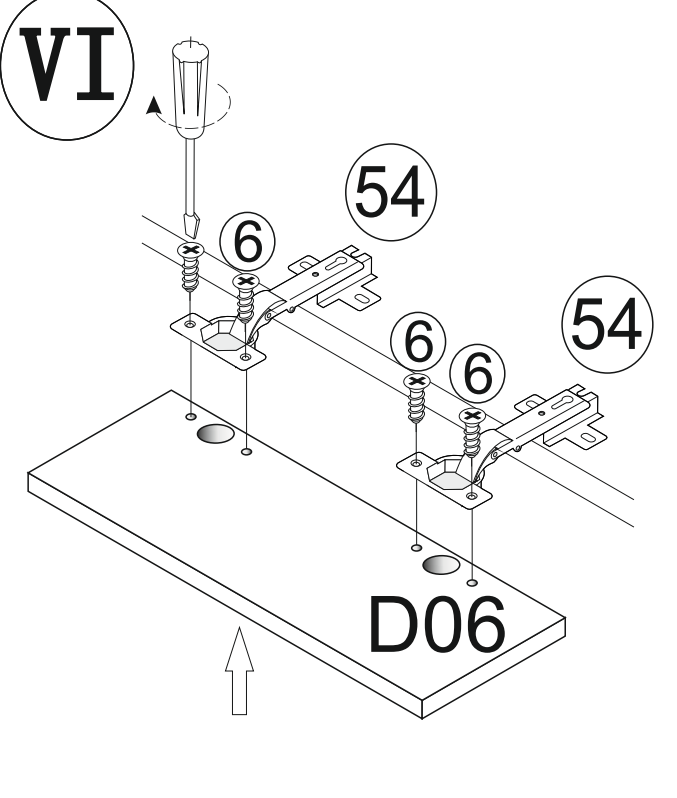
V



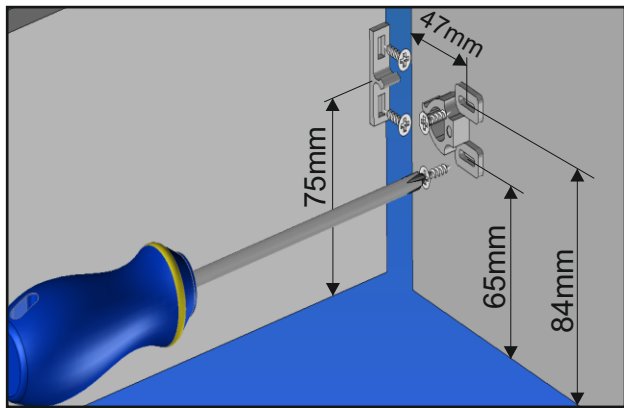
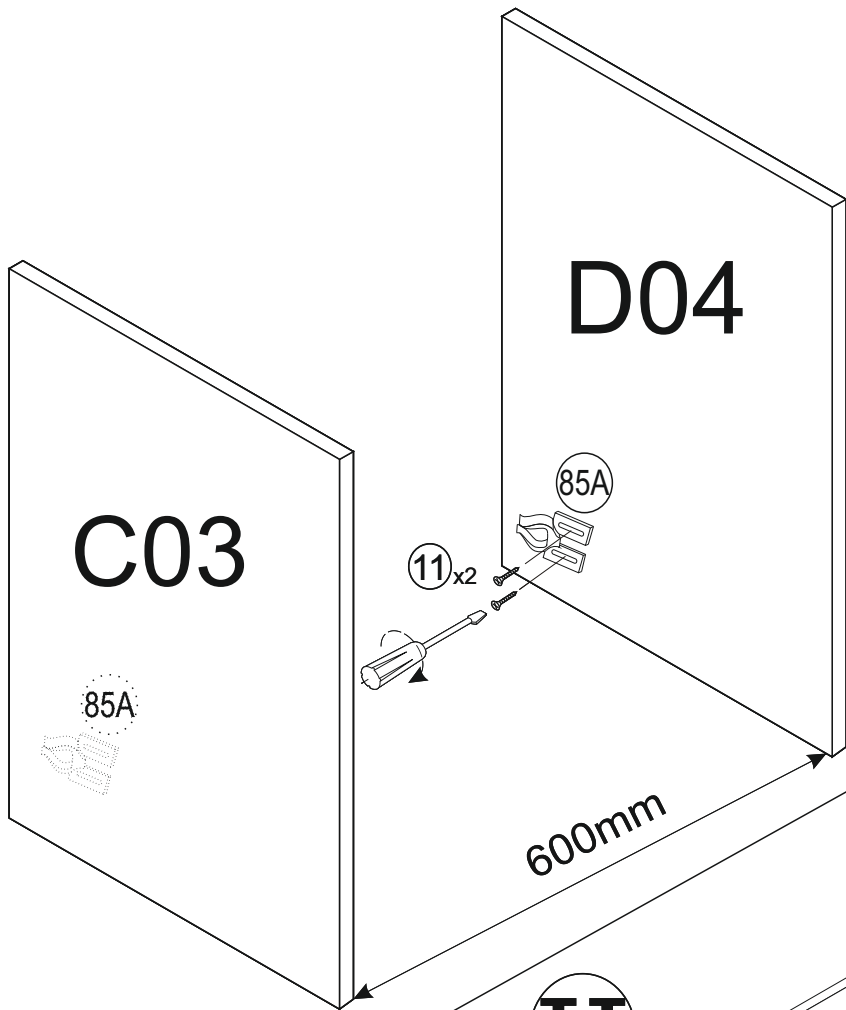
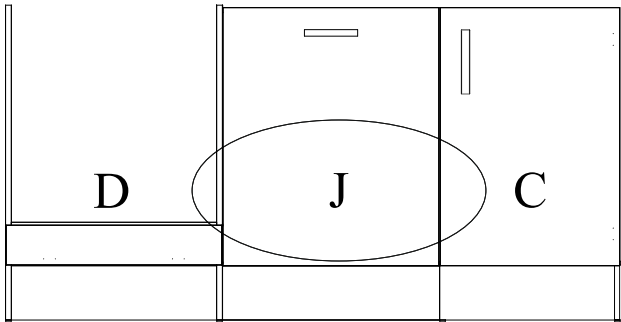
IV



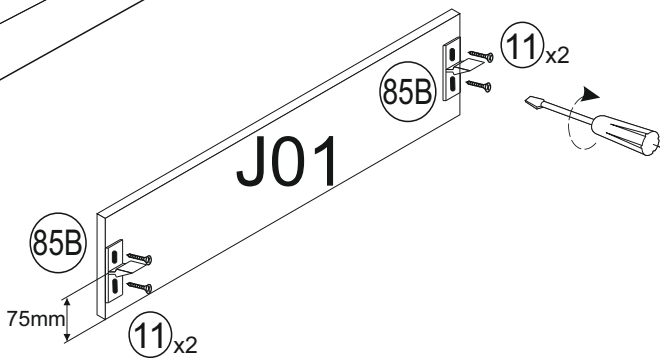
31B x3



I

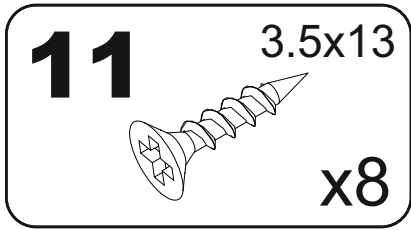
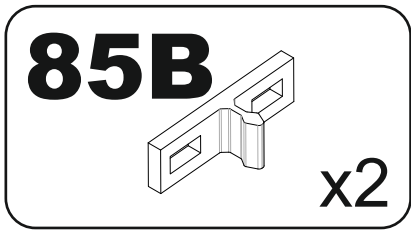
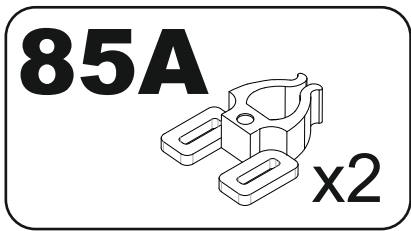
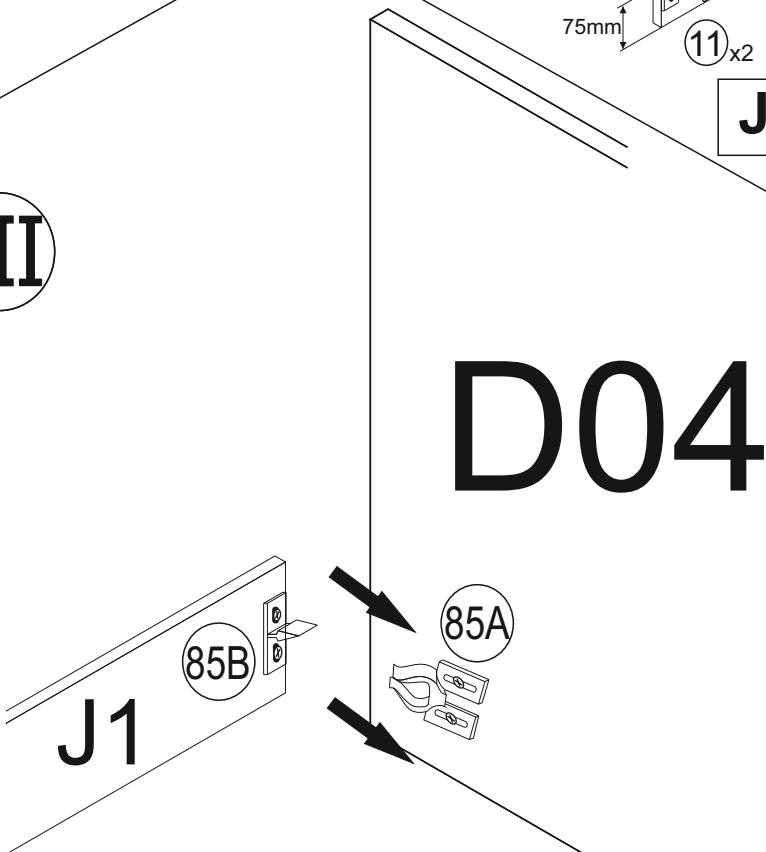


II

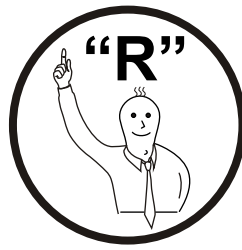
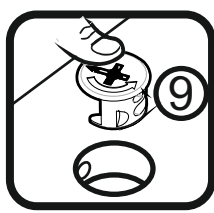


J01 600mm x 150mm

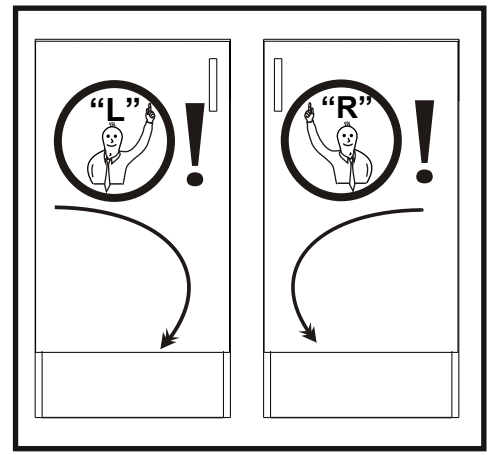
III



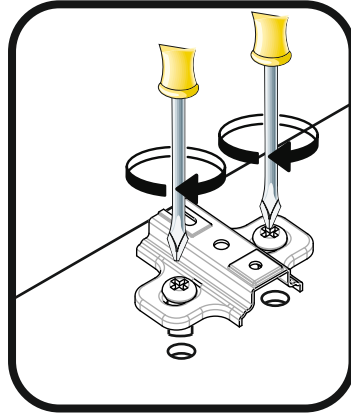
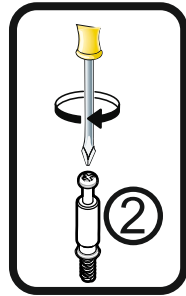
I



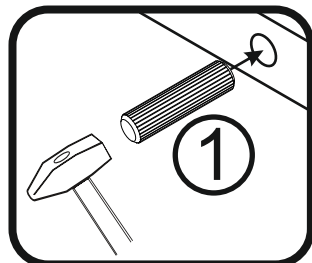
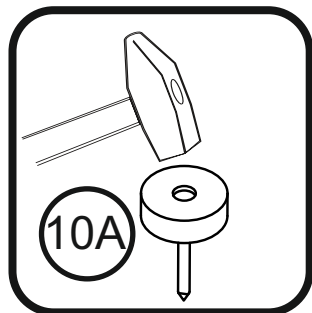
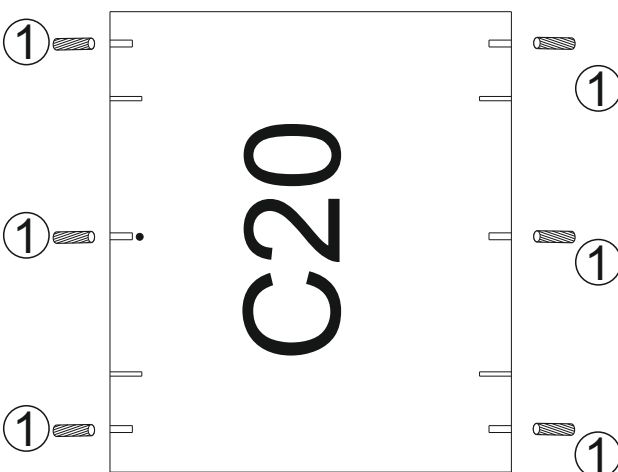
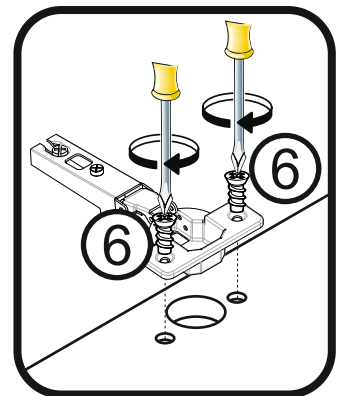
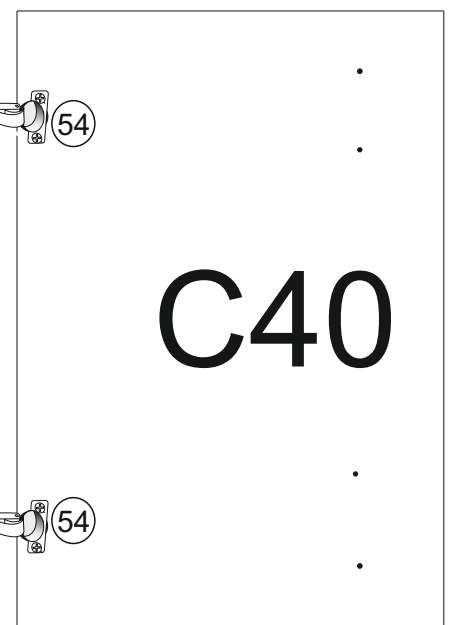
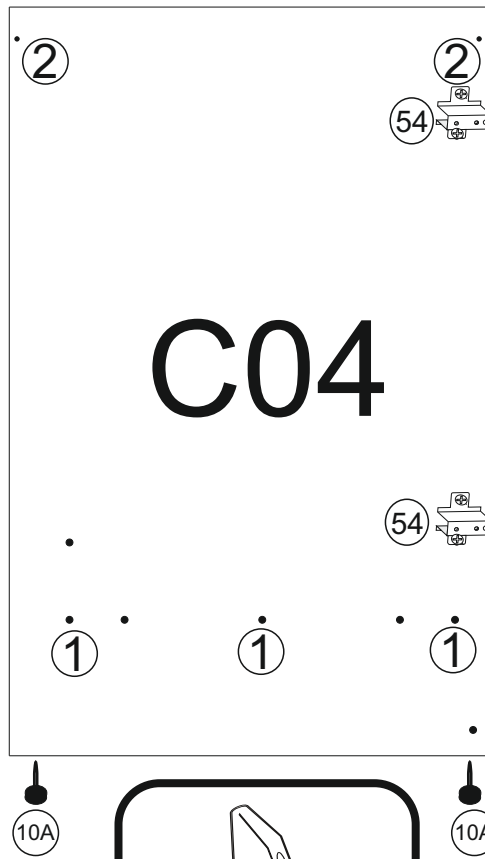
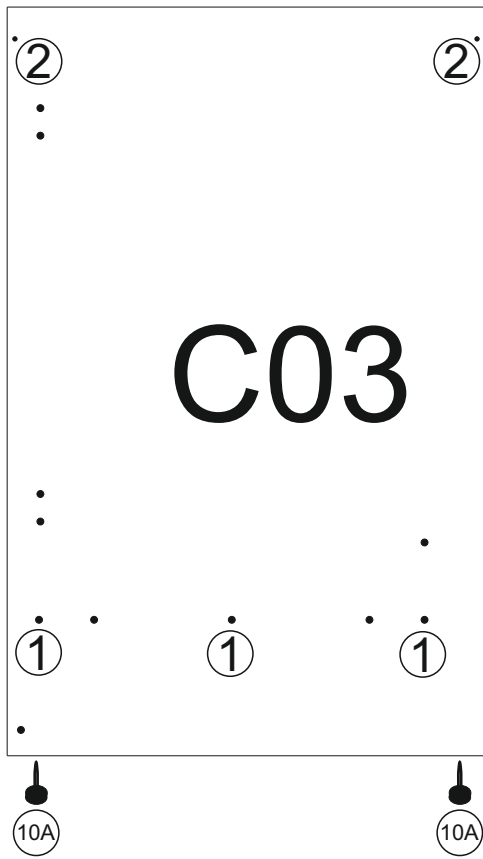
9 C61_{x2} 9



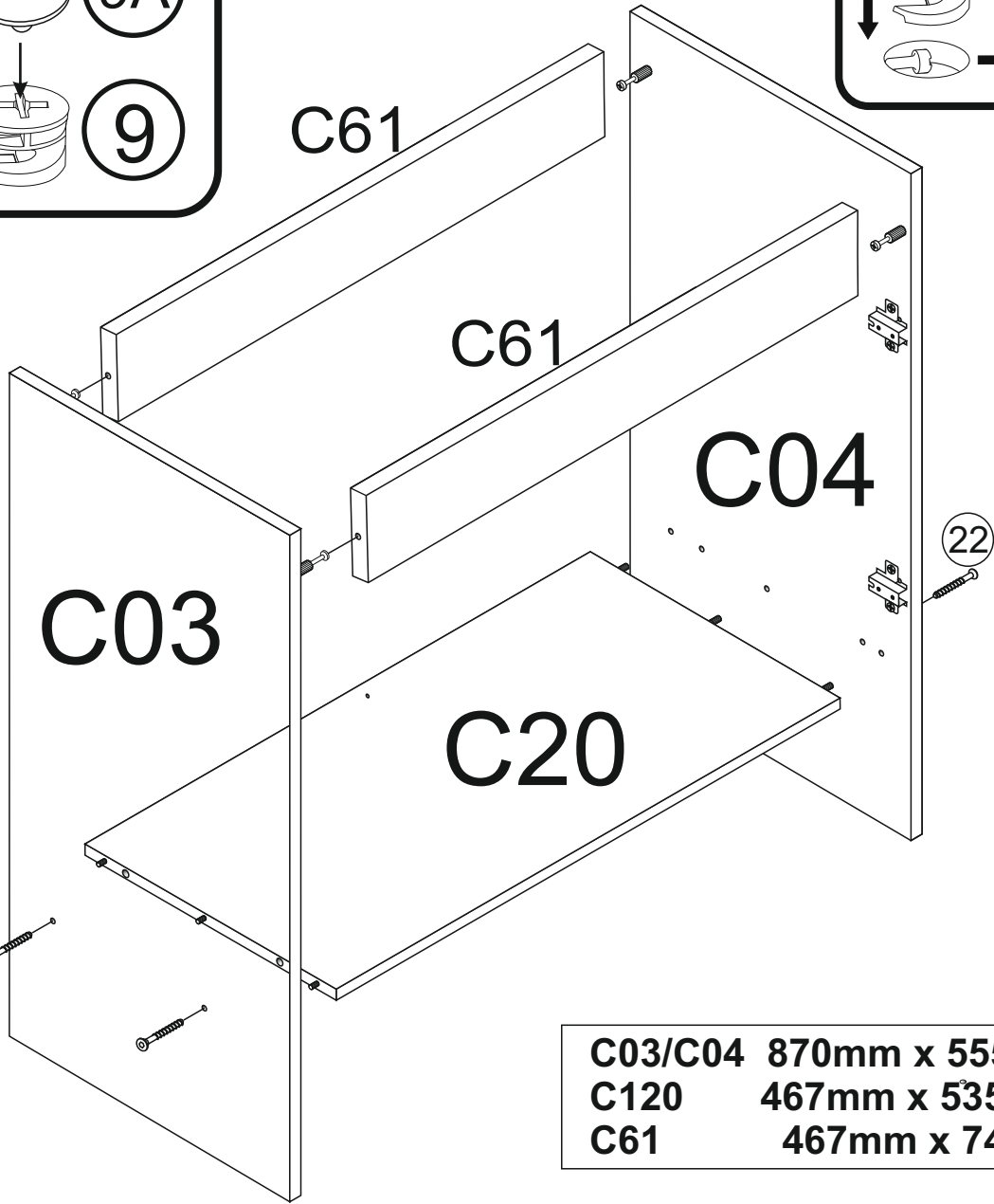
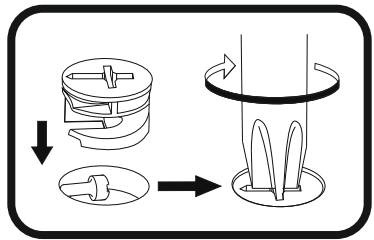
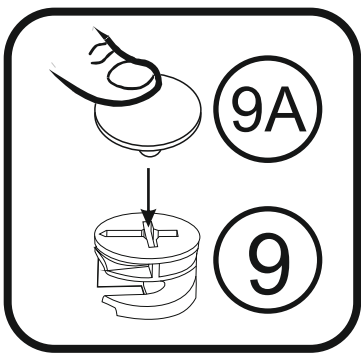
C60_{x2}



C

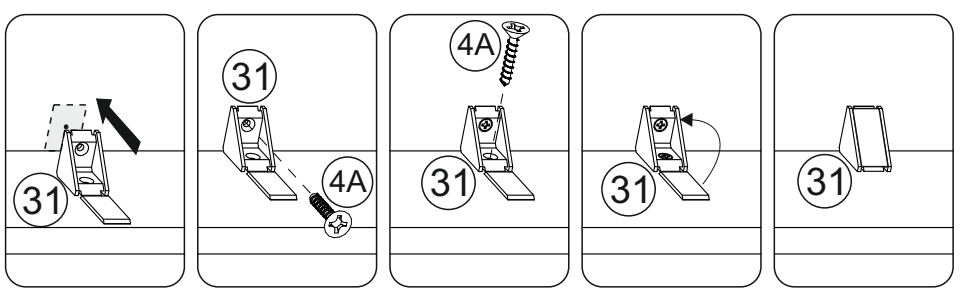
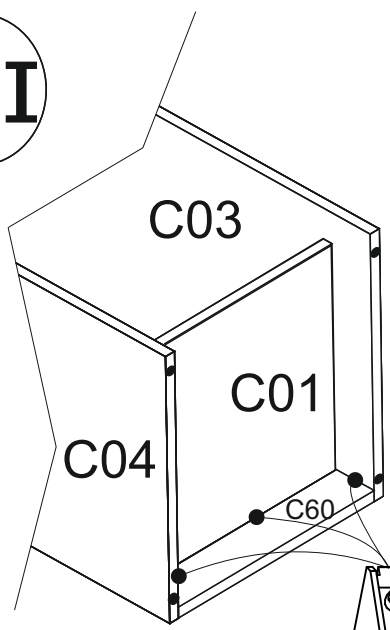


II



C03/C04	870mm x 555mm
C120	467mm x 535mm
C61	467mm x 74mm

III

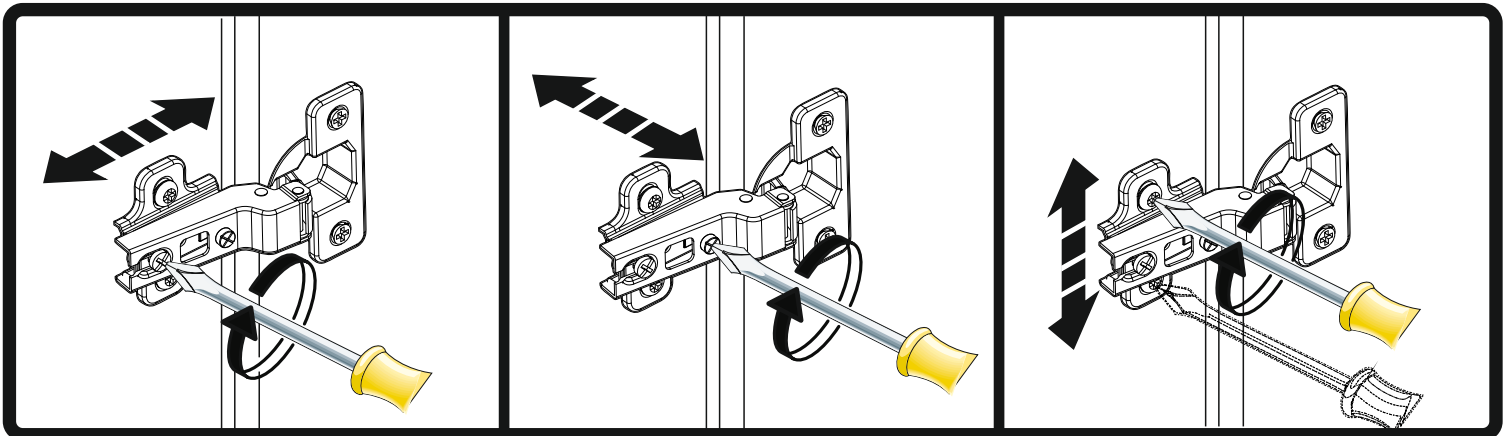
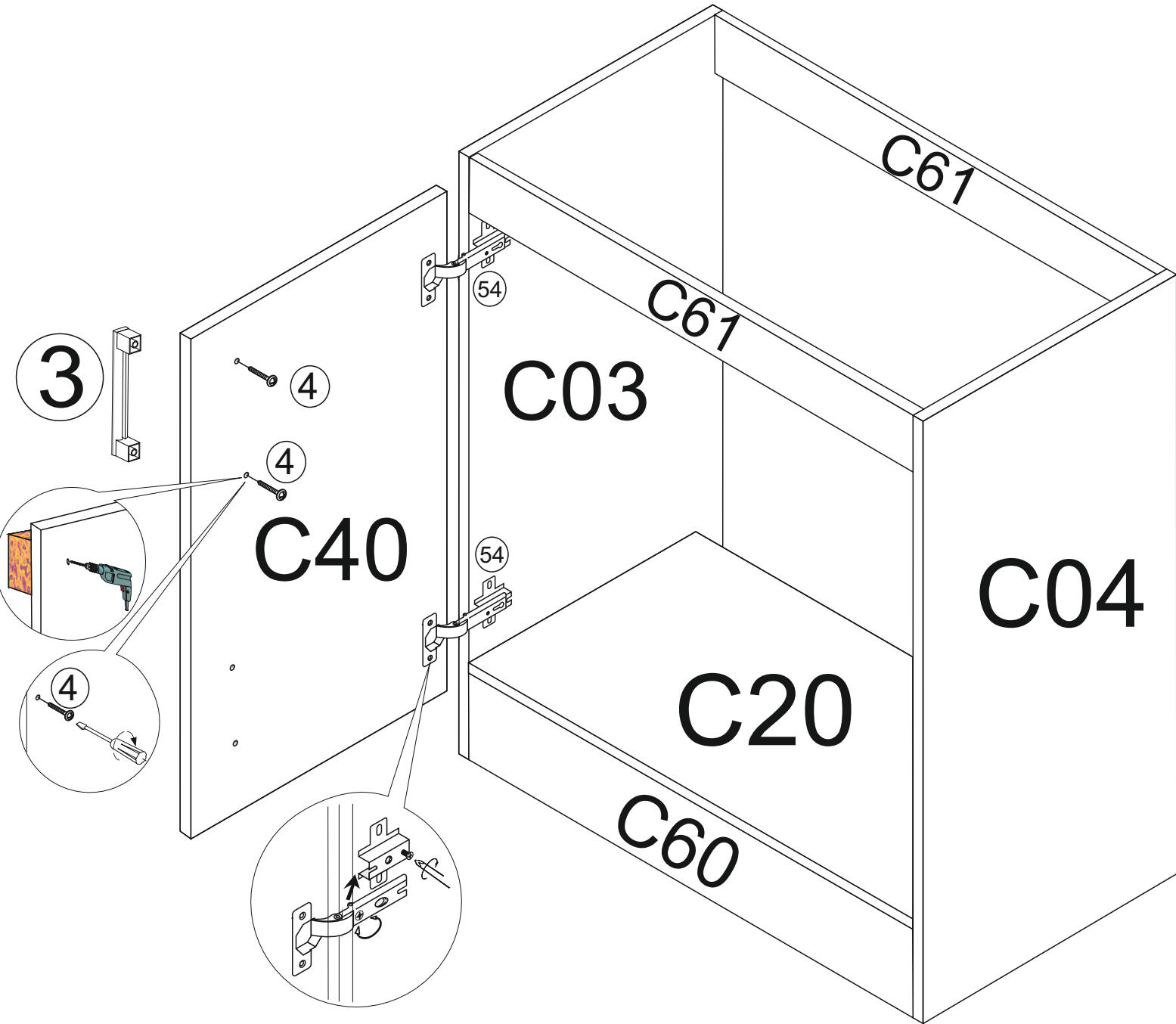


C60	467mm x 150mm
-----	---------------

31 x3

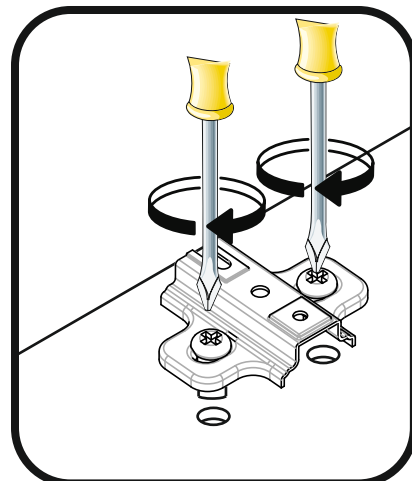
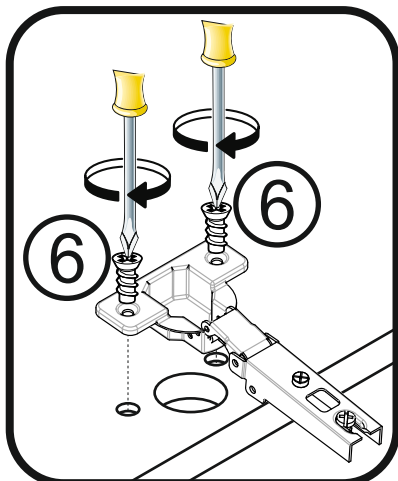
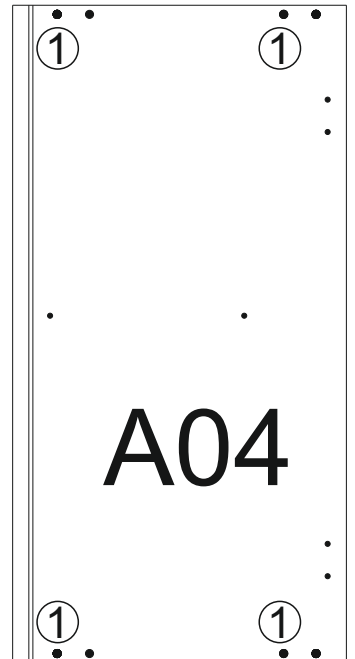
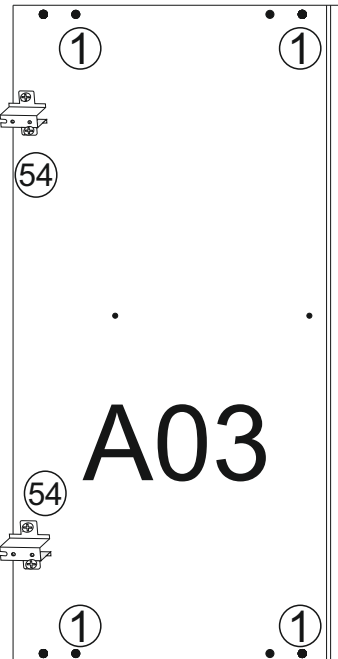
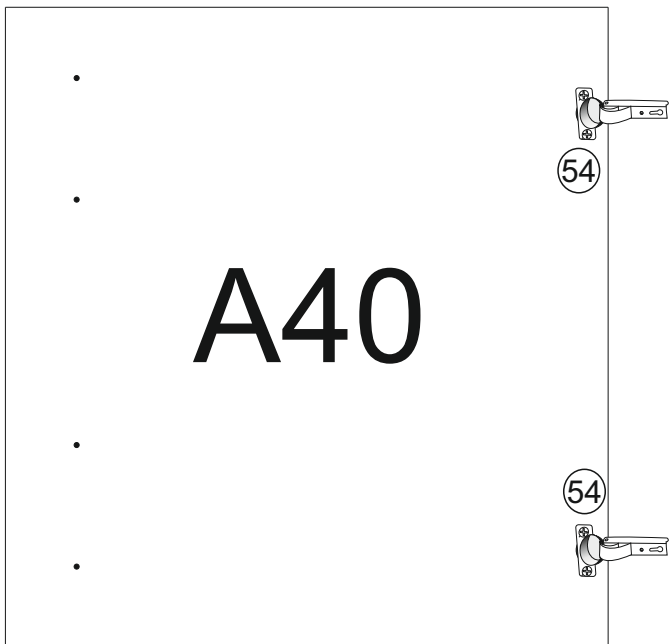
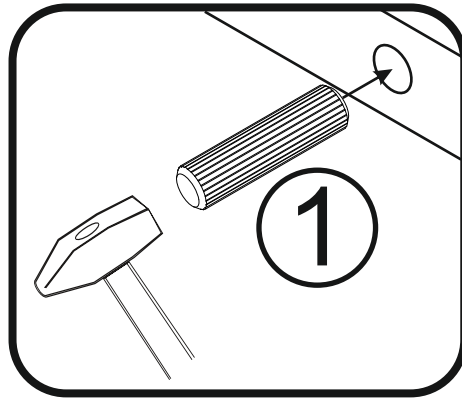
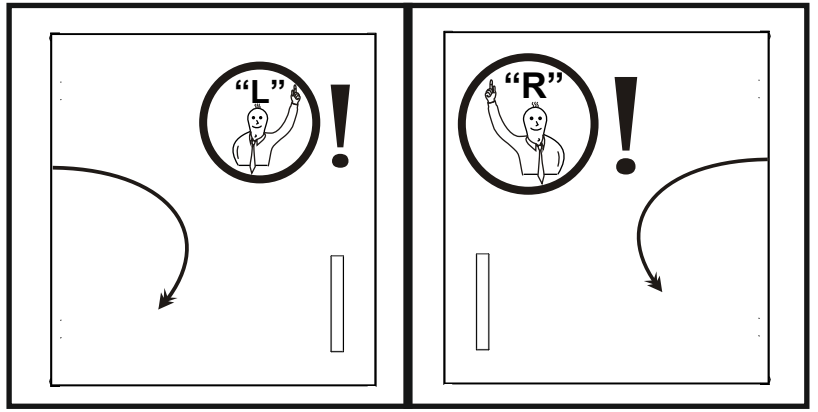
IV

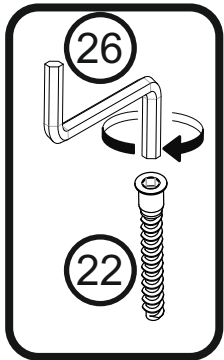
C40 713mm x 496mm



A

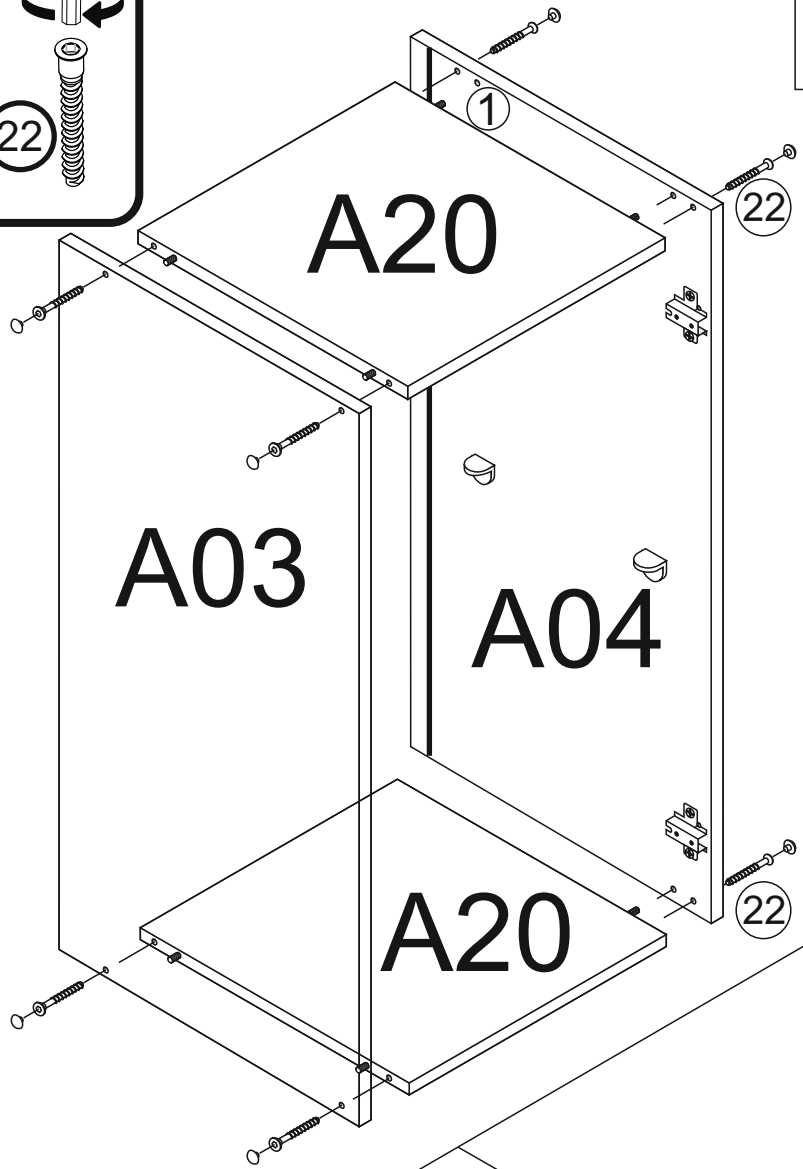
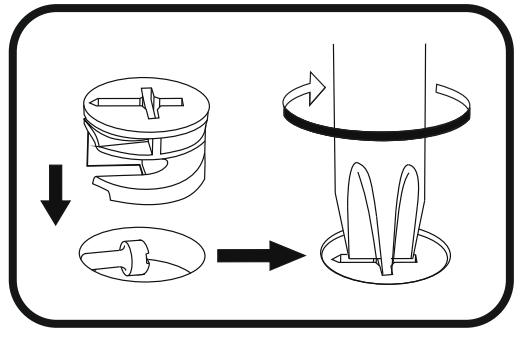
I



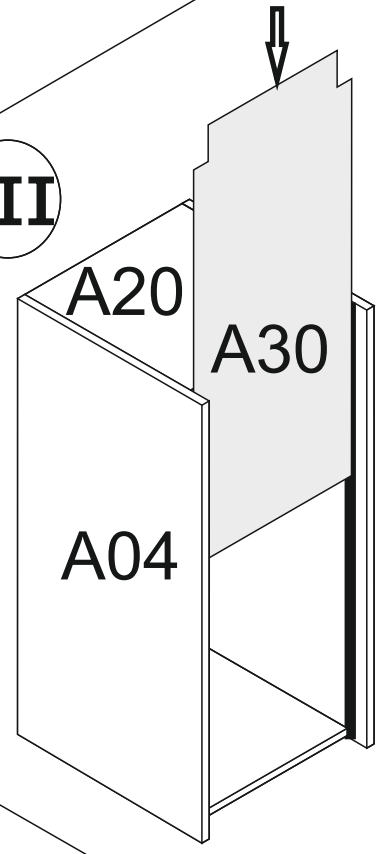


II

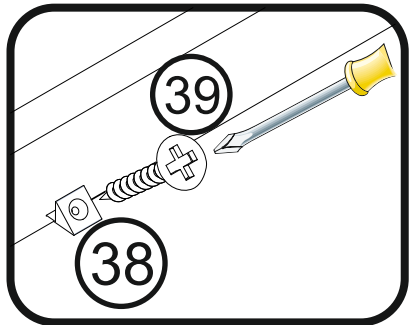
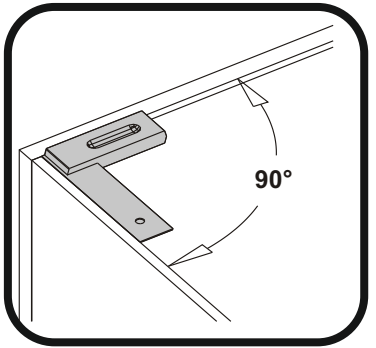
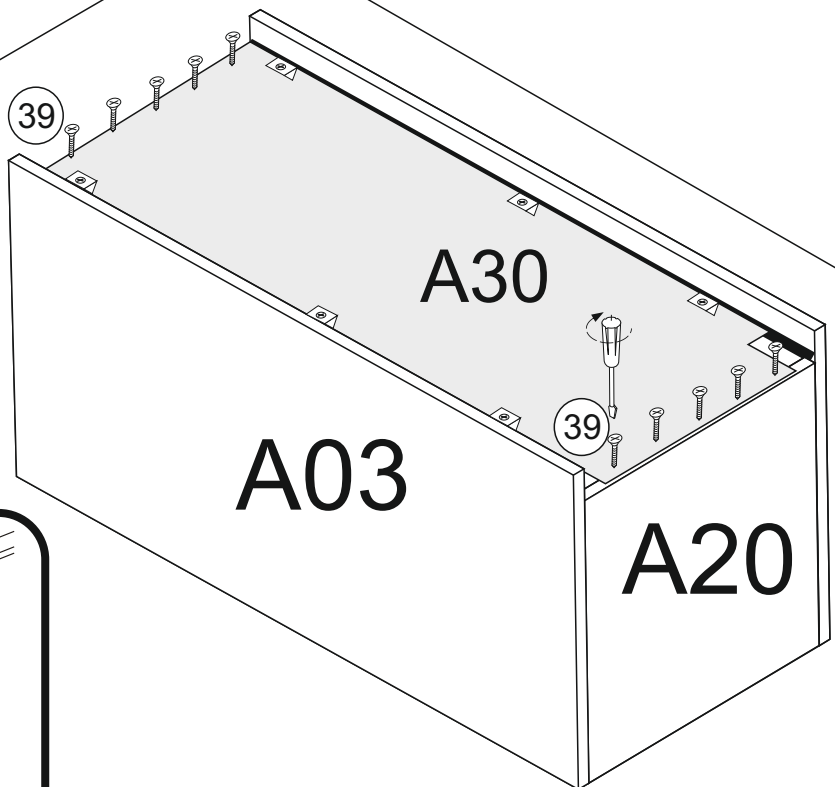
A03/A04	650mm x 330mm
A20	567mm x 310mm
A30	645mm x 577mm

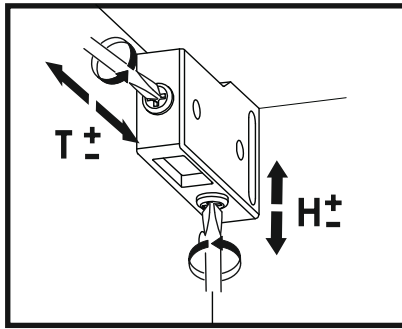
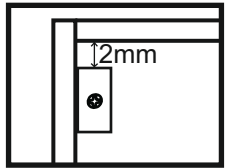
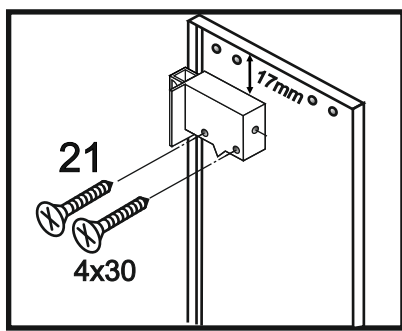


III



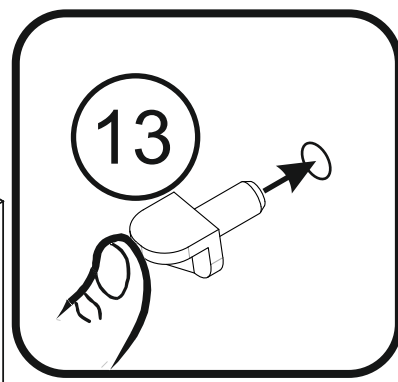
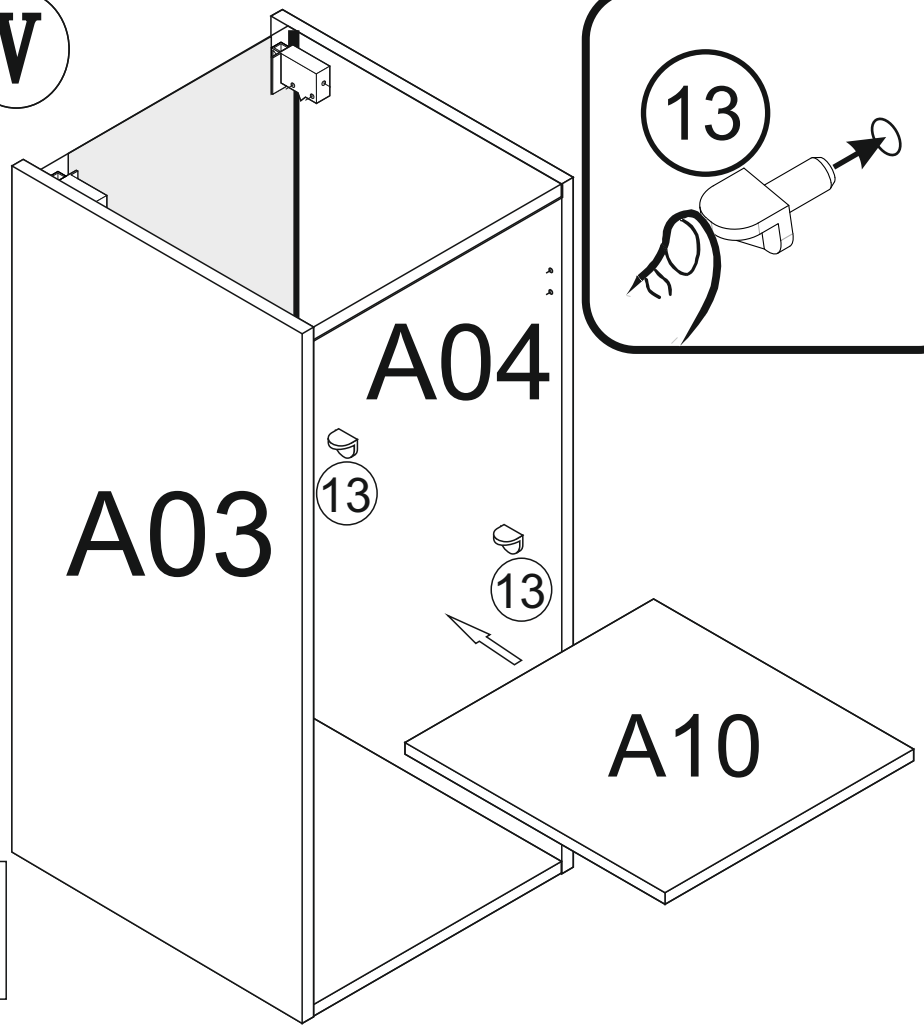
IV



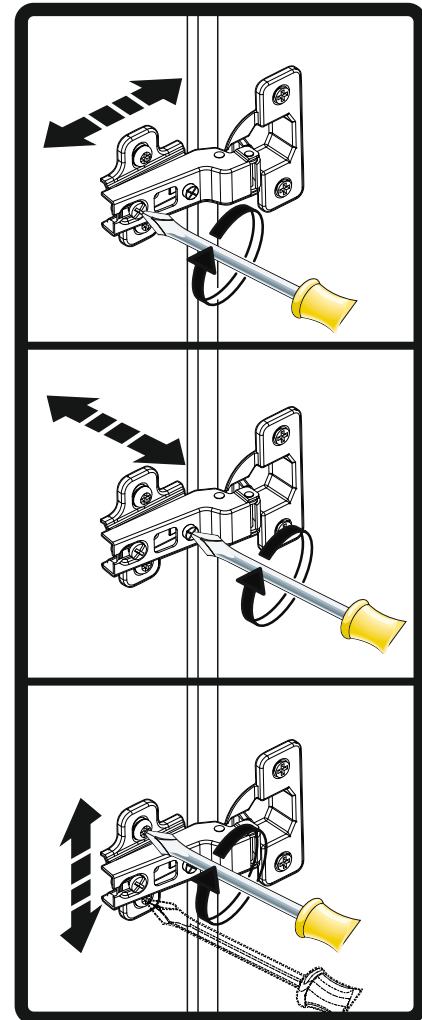
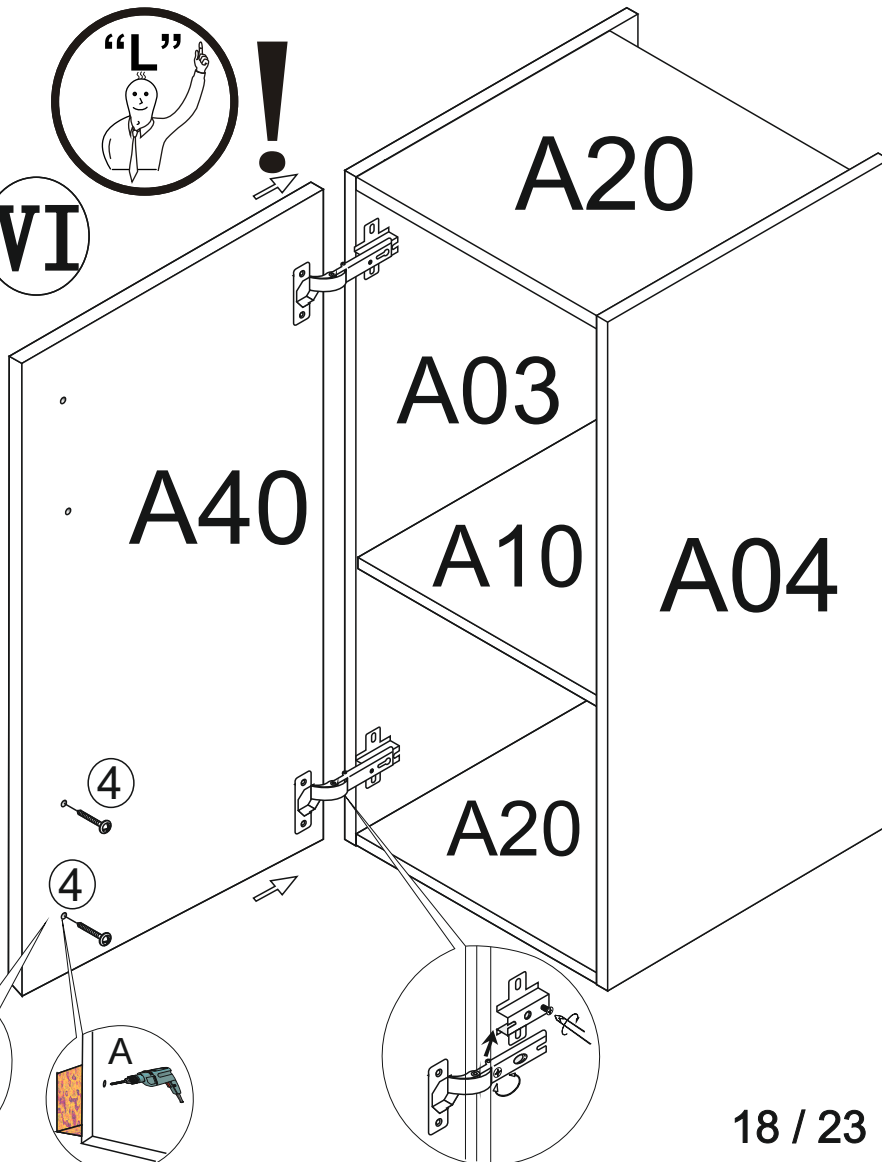


A40 646mm x 596mm
A10 567mm x 246mm

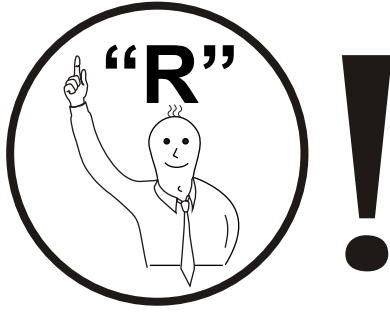
V



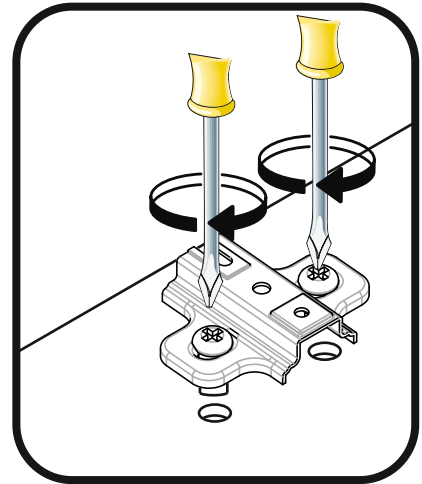
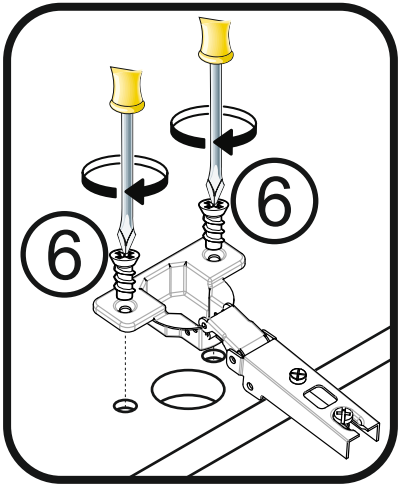
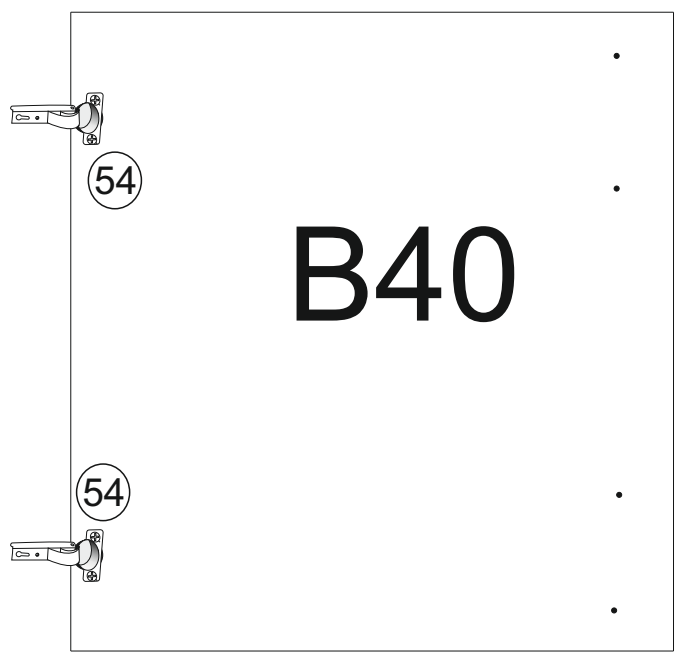
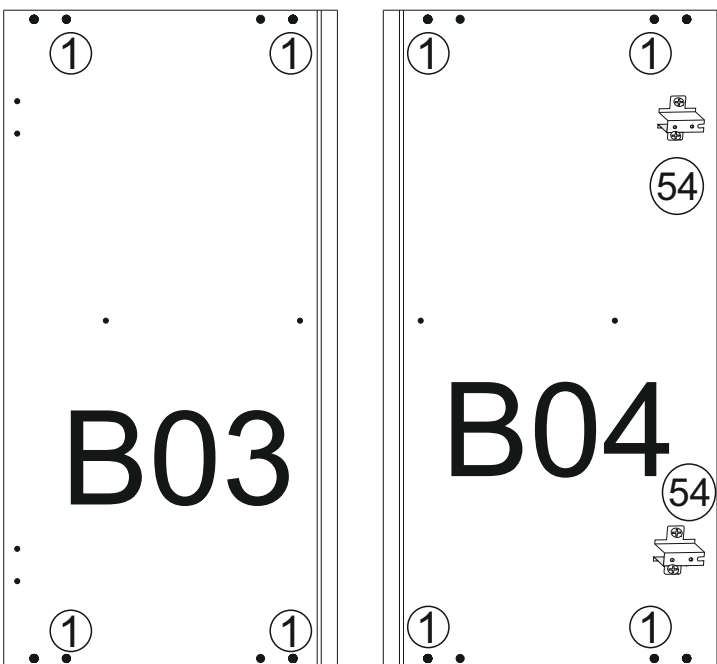
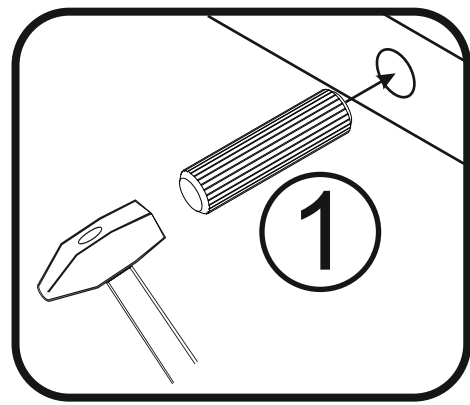
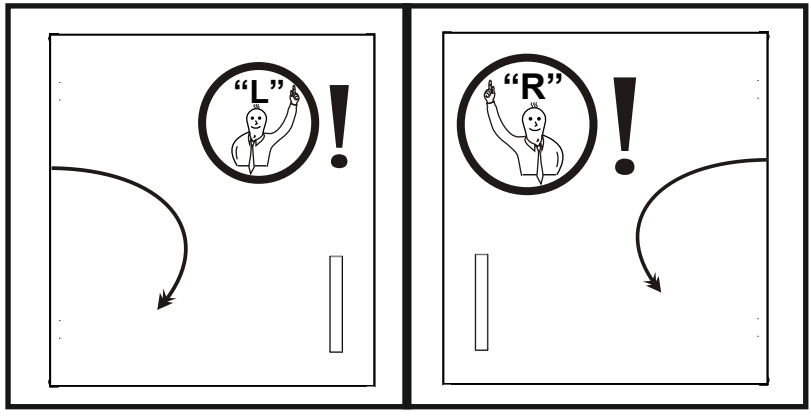
VI

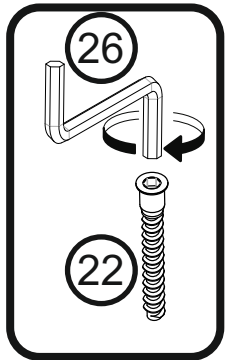


B



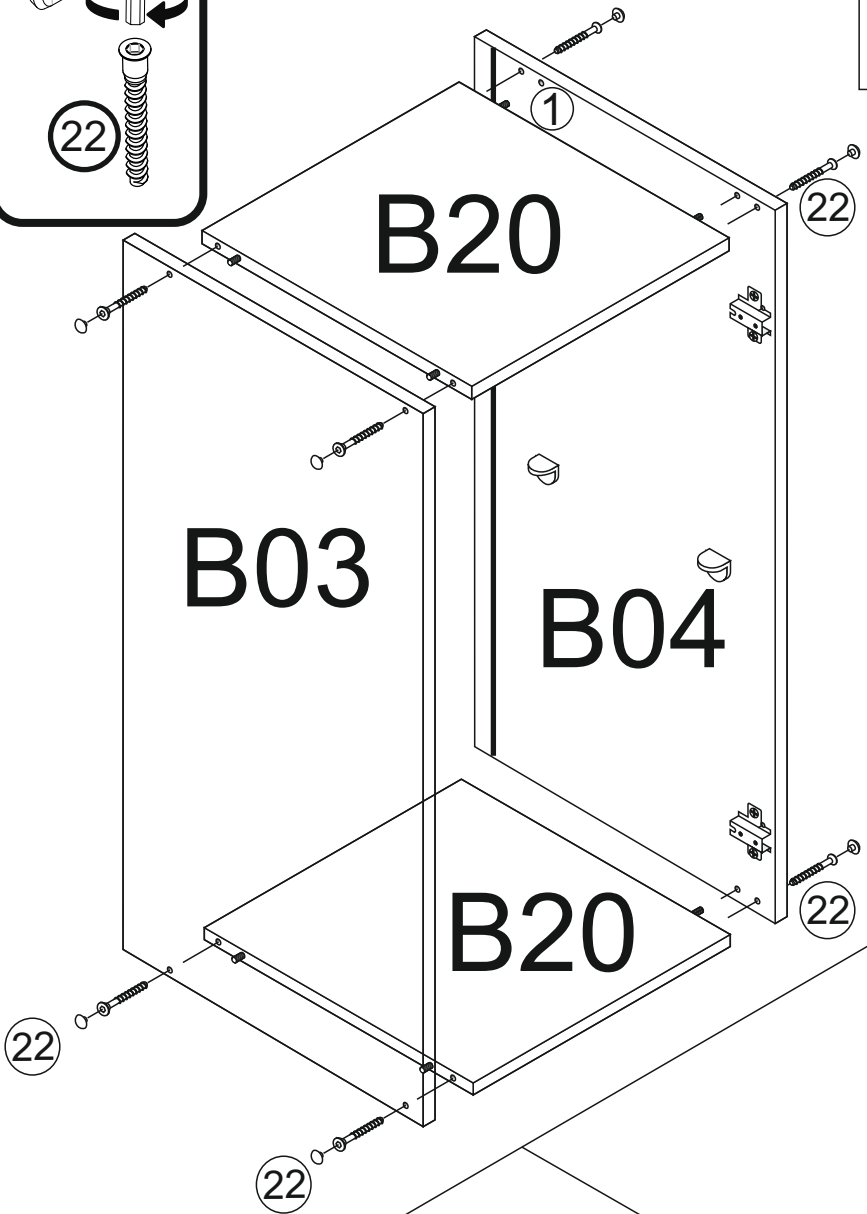
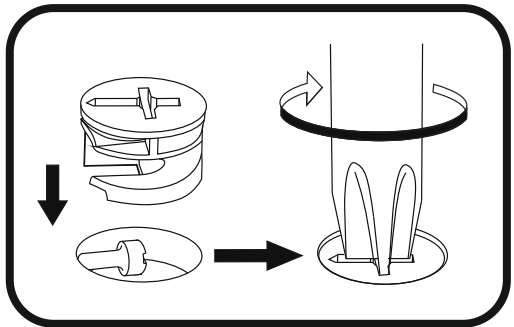
I



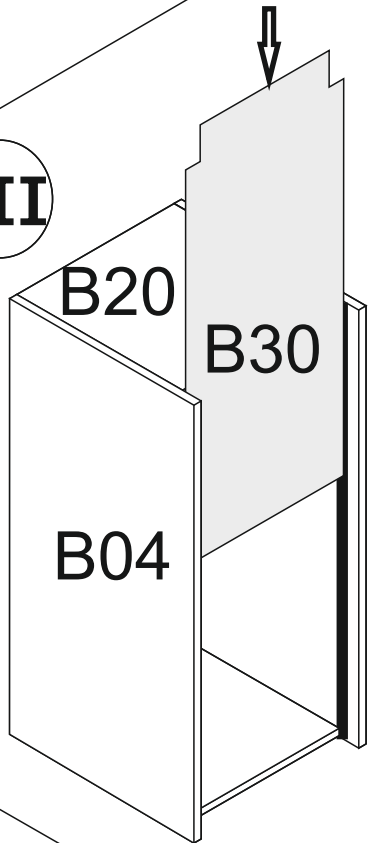


II

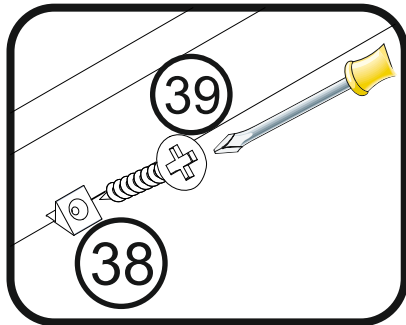
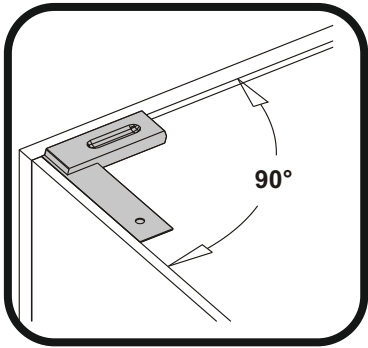
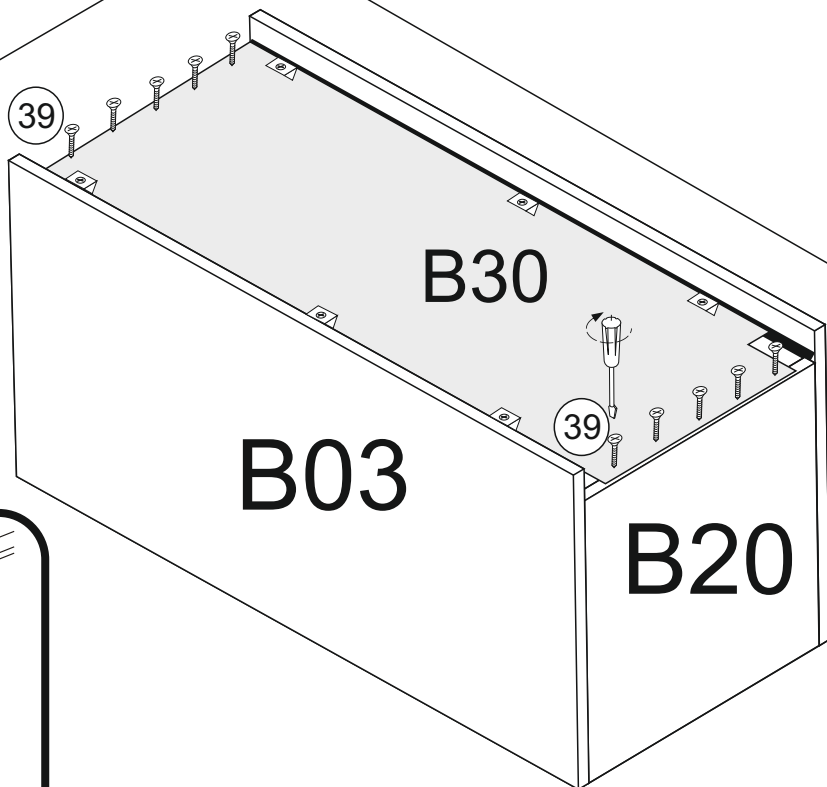
B03/A04	650mm x 330mm
B20	467mm x 310mm
B30	645mm x 477mm

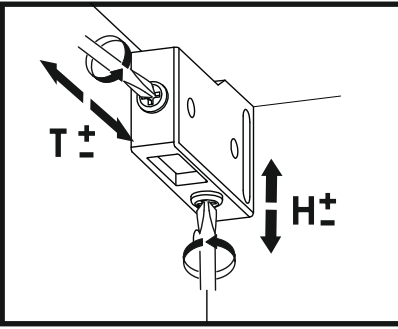
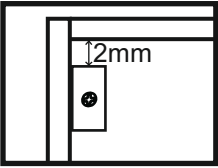
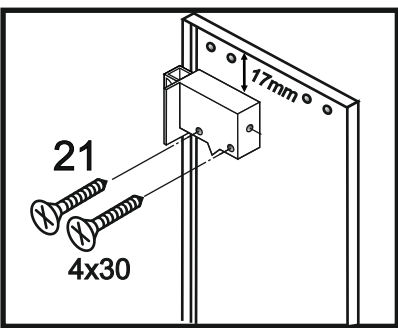


III



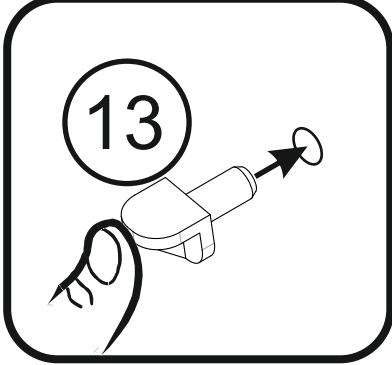
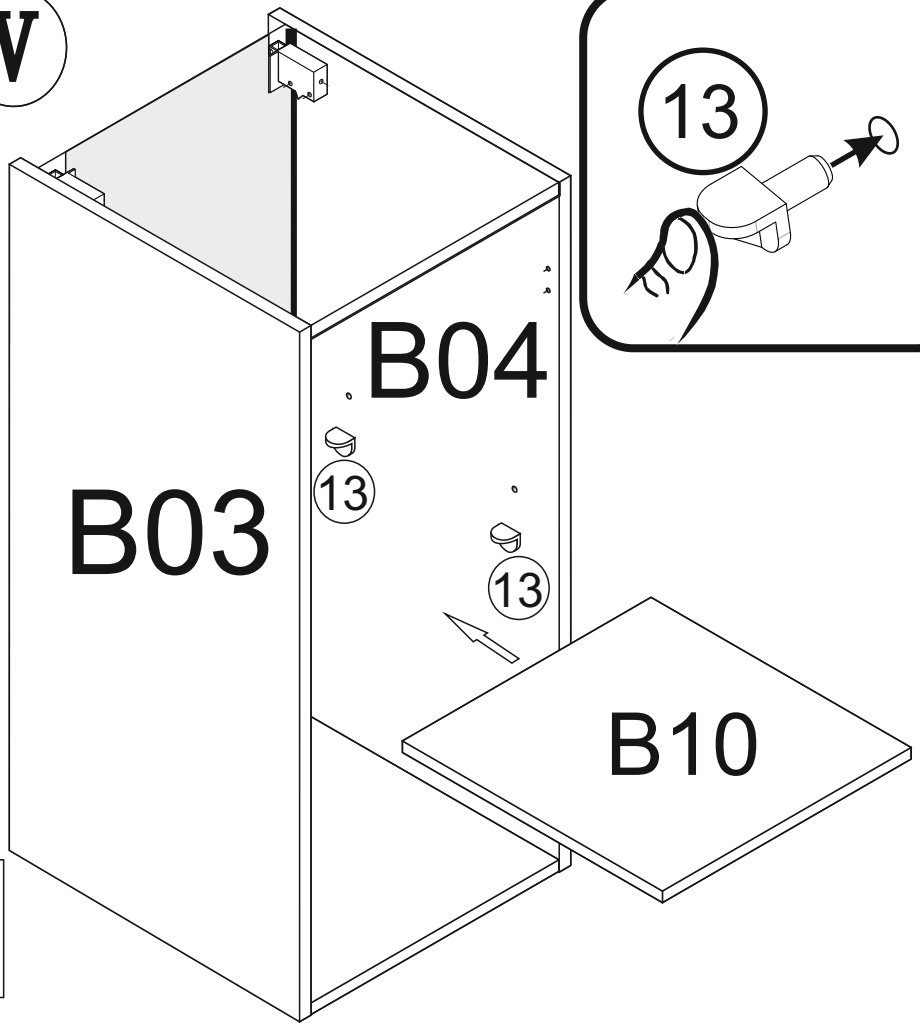
IV



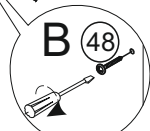
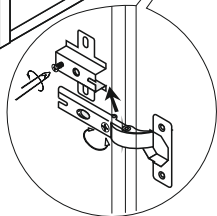
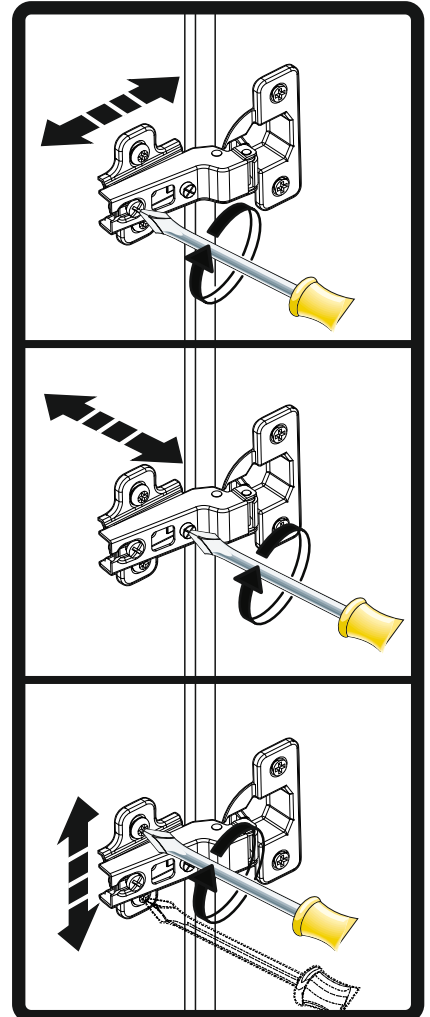
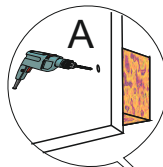
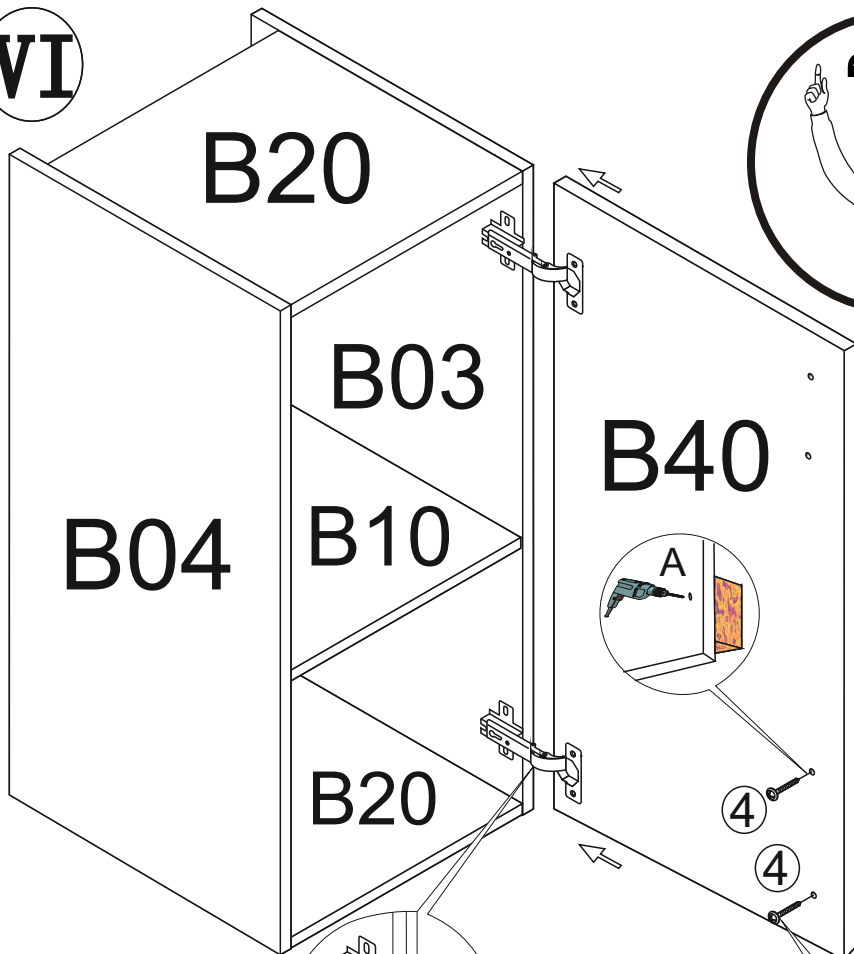


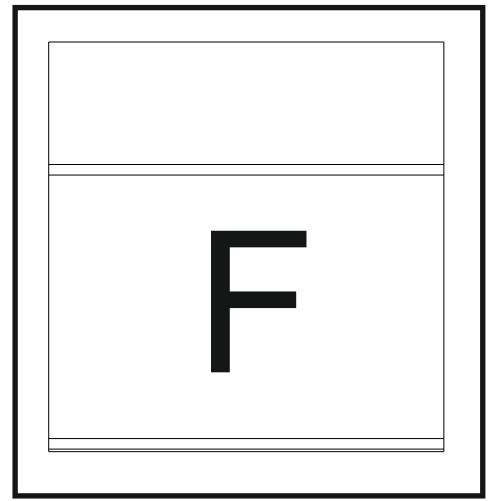
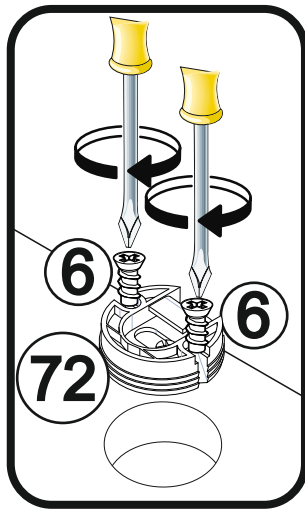
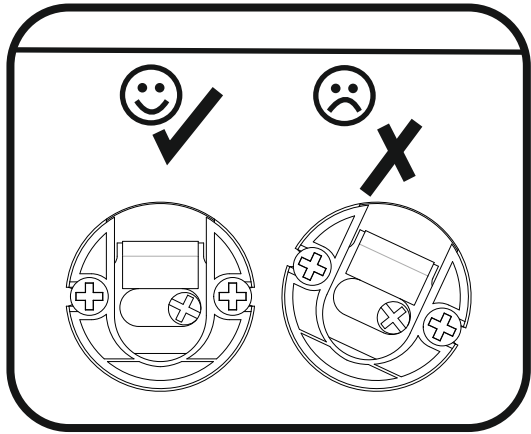
B40 646mm x 496mm
B10 467mm x 246mm

V

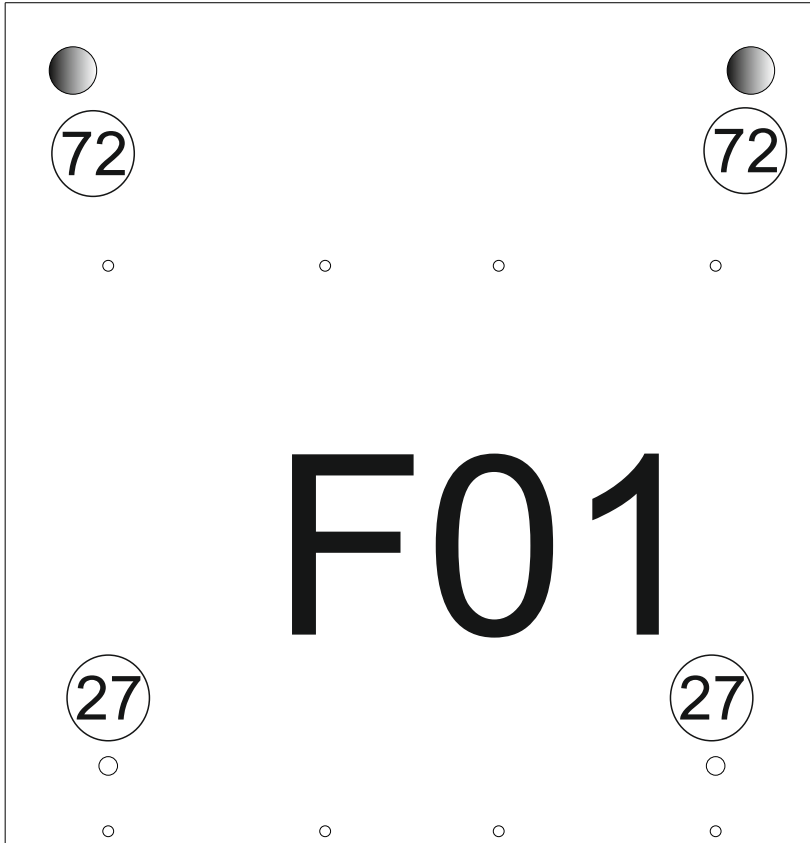


VI

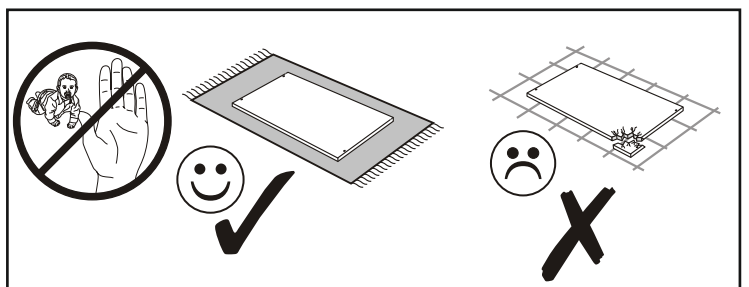
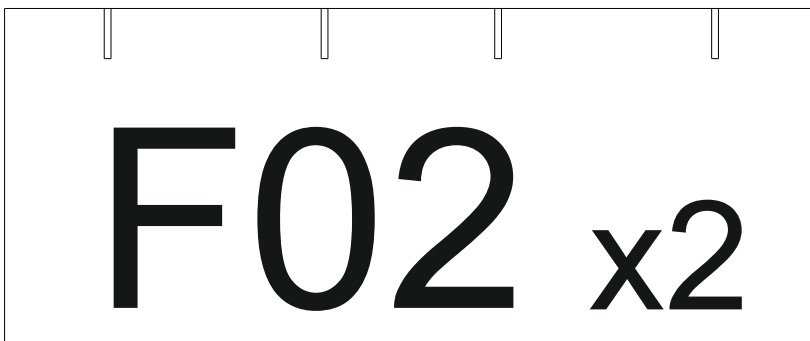




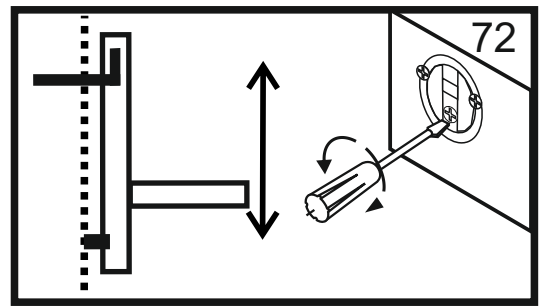
I



F01 500mm x 650mm
F02 500mm x 246mm



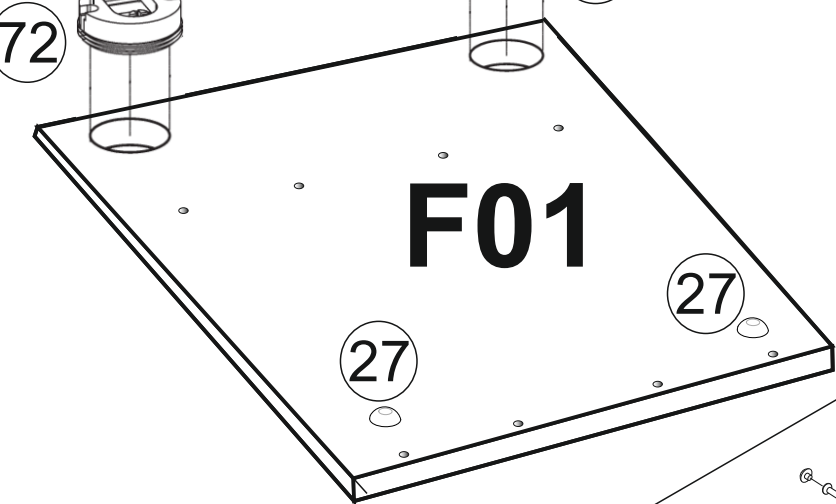
I



6

6

72

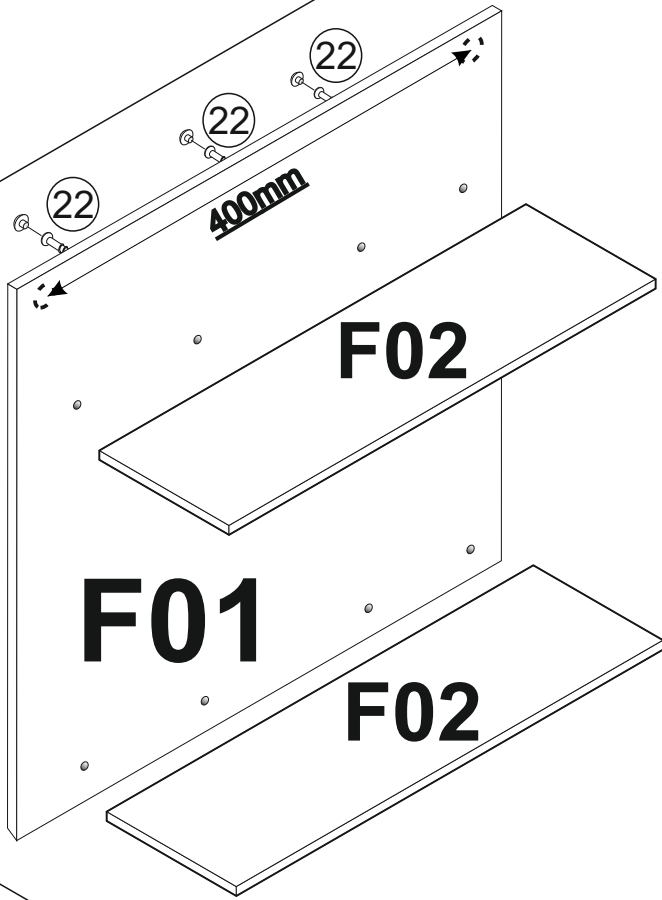


F01

27

27

II



22

22

400mm

F02

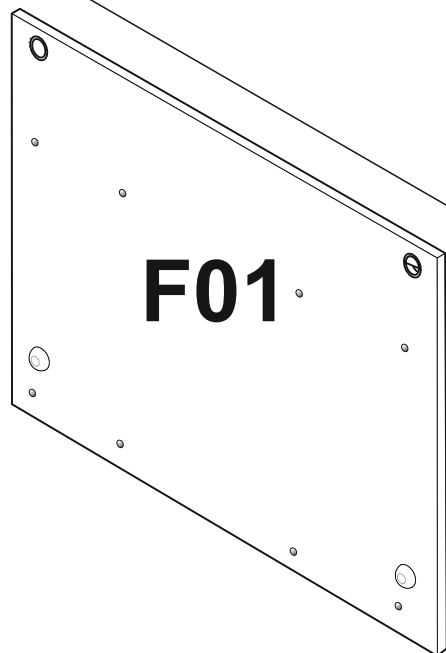
F01

F02

22

22

III



F01

