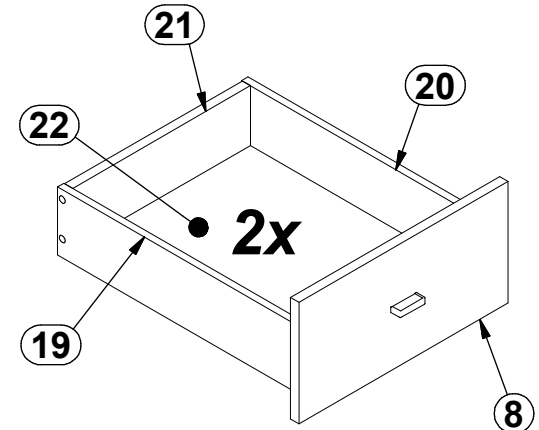


A	B	C1	C2	C3	D
1	S534-2004	1237	550	22	1/4
2	S534-1011	2030	530	16	2/4
3	S534-1012	2030	530	16	2/4
4	S534-1010	1954	510	16	3/4
5	S534-3009	1157	510	16	1/4
6	S534-5012	2030	30	22	3/4
7	S534-5013	488	30	22	3/4
8	S534-0009	392	197	16	4/4
9	S534-3010	373	510	16	3/4
10	S534-3011	768	510	22	3/4
11	S534-3012	373	510	22	1/4
12	S534-0006	1965	392	16	4/4
13	S534-4001	1157	60	16	1/4
15	S534-9001	1970	385	2,5	2/4
16	S534-0007	1965	392	16	4/4
17	S534-0008	1565	392	16	4/4
18	S534-9302	1970	781	2,5	2/4
19	ZQ6-537	450	110	12	3/4
20	ZQ6-538	450	110	12	3/4
21	ZQ6-5260	333	97	15	3/4
22	WSP-9398	343	458	2,5	3/4
23	dr-763x30	763	30	15	1/4

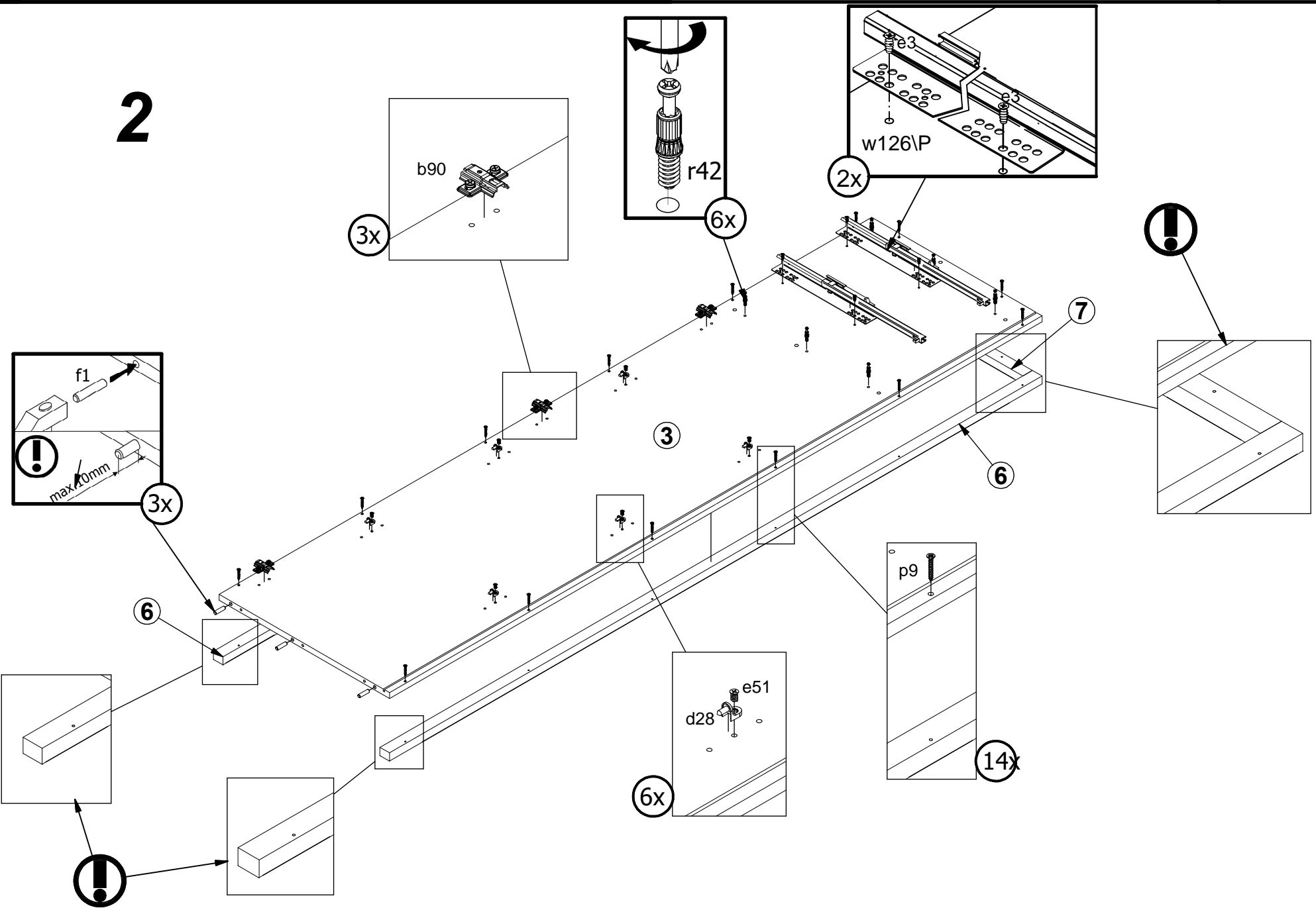
39x Ø2,9x16 mm p55	11x i2	10x n108
12x Ø3,5x16 mm p38	8x Ø6,5x40 mm f25	8x Ø12x10,5 mm #12 r15
8x Ø6x13 mm e3	6x Ø15x15 mm #22 r3	3x d41/2
2x 450mm w126L	2x 450mm w126P	12x Ø7x60 mm e8
7x k1	12x d28	12x Ø6,3x10 mm e51
12x Ø15x12 mm #16 r1	34x Ø8x30 mm f1	28x Ø4x30 mm p9
22x Ø3,5x15 mm p51	10x M4x22 mm j30	5x 32mm c538
1x 4 mm z1	7x a204	26x 20/11 r42
	4x Ø3,5x13 mm p1	4x Ø3,5x16 mm p38
	4x a205	11x b90
		4x n158

2x Ø10x50 mm f35	2x 86x21x15/1,5 n14/2	2x Ø5x60 mm p17	4x Ø3,5x16 mm p38
------------------------	-----------------------------	-----------------------	-------------------------

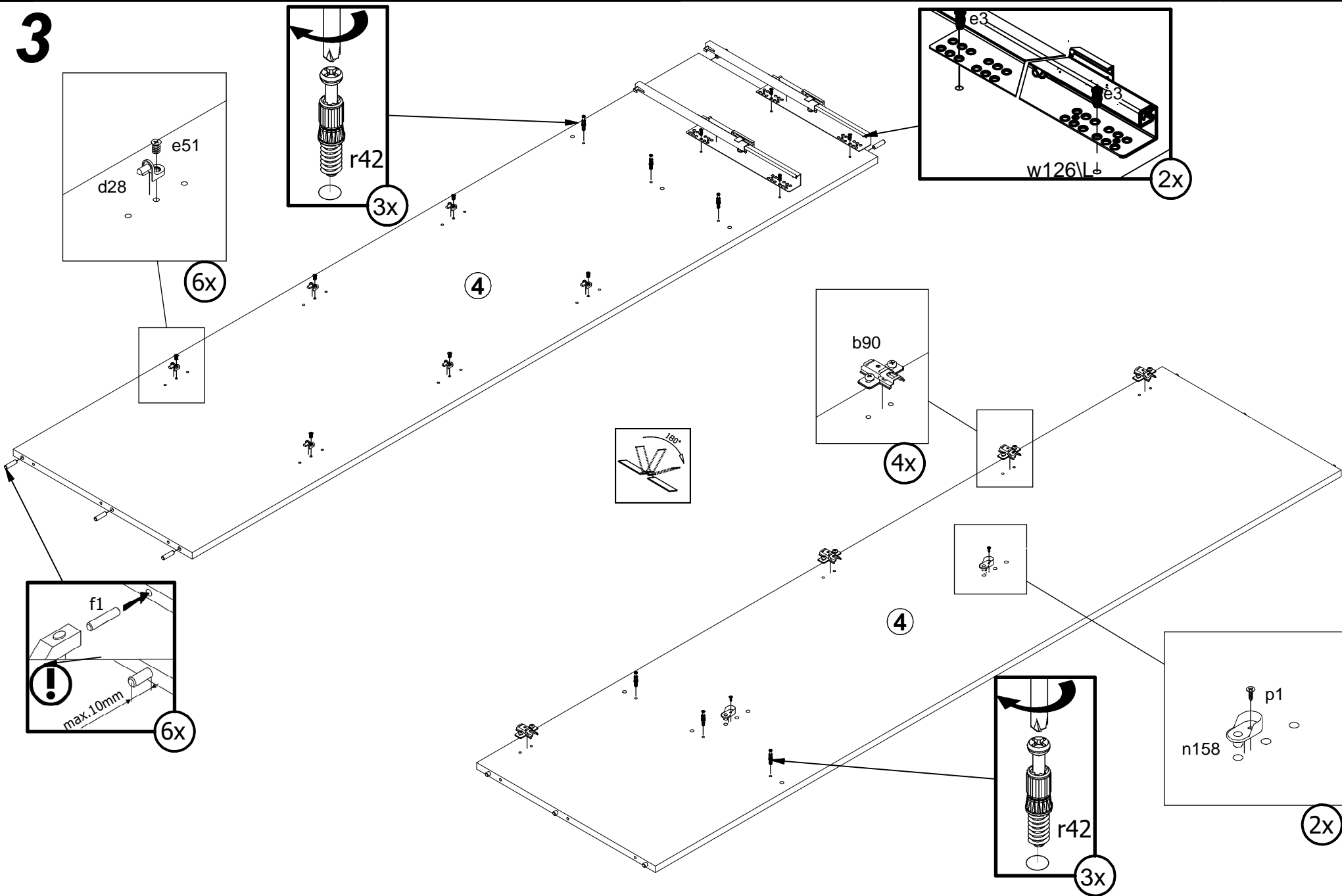


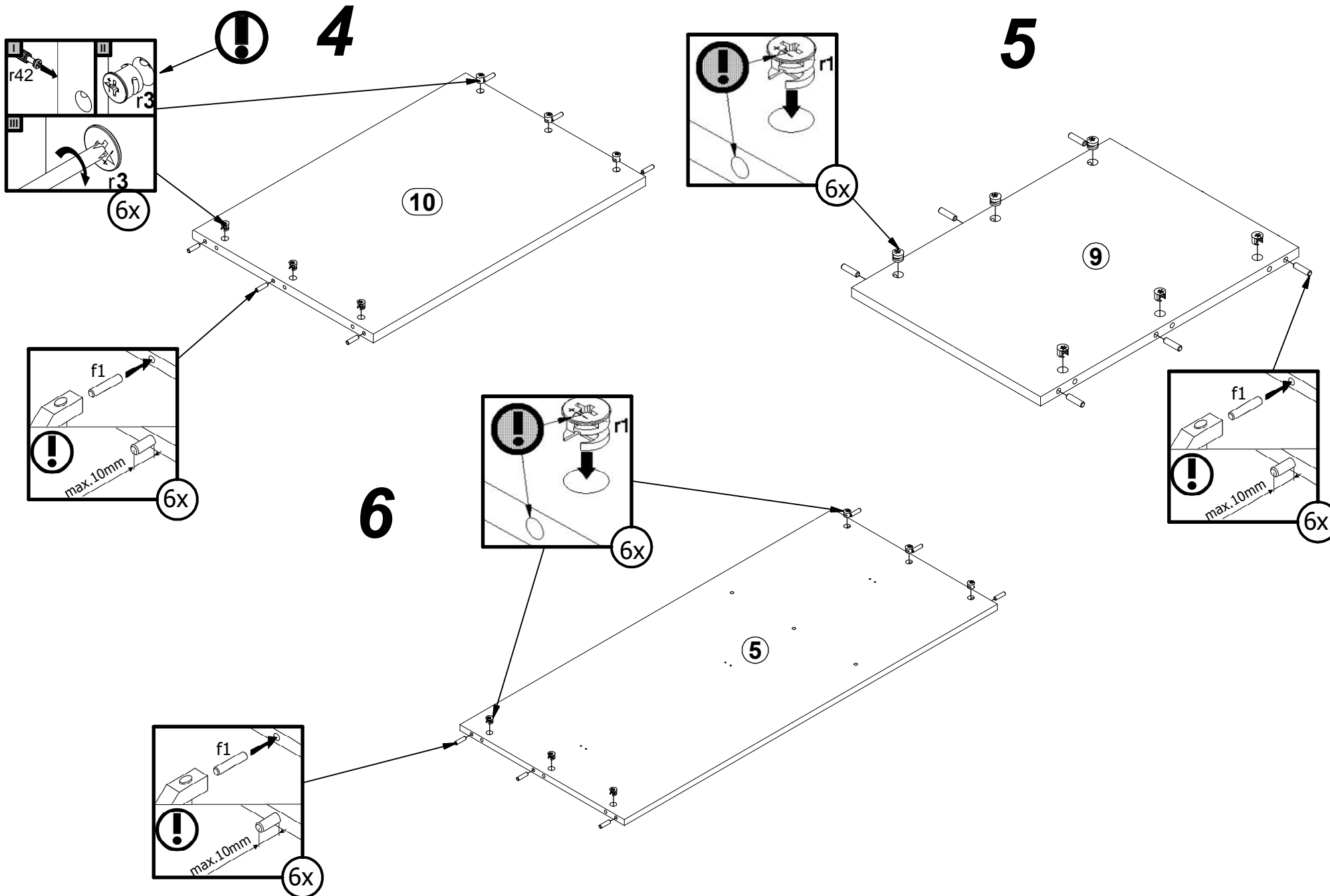


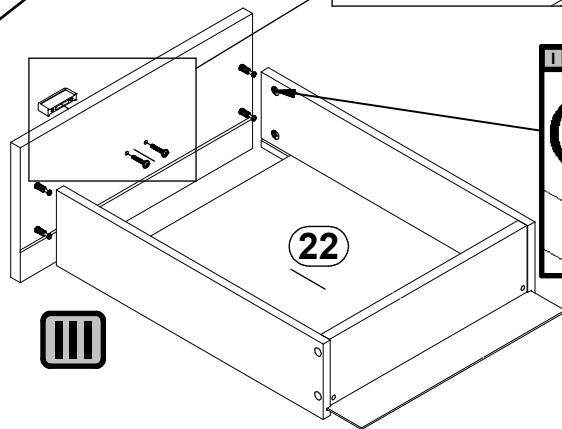
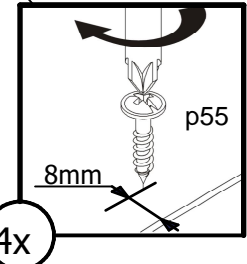
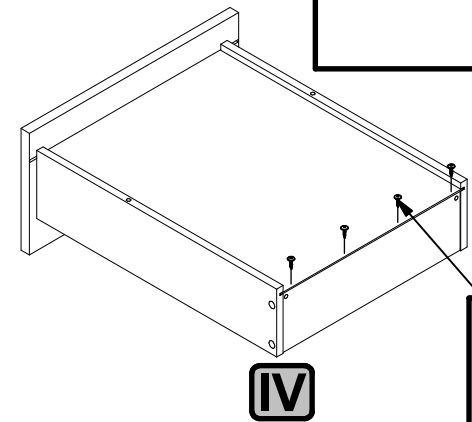
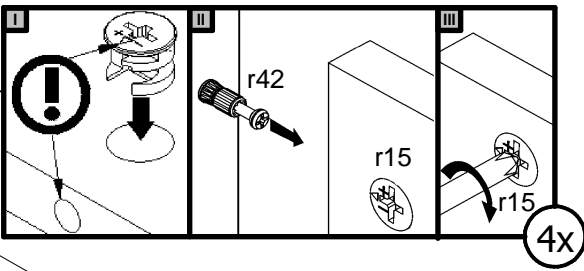
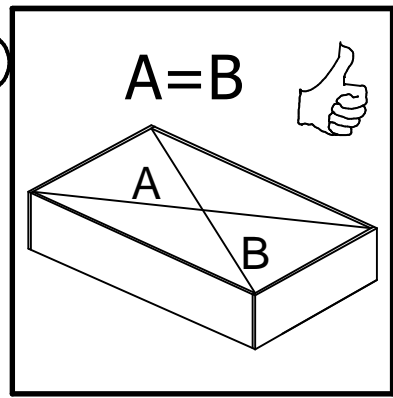
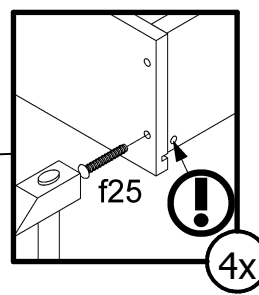
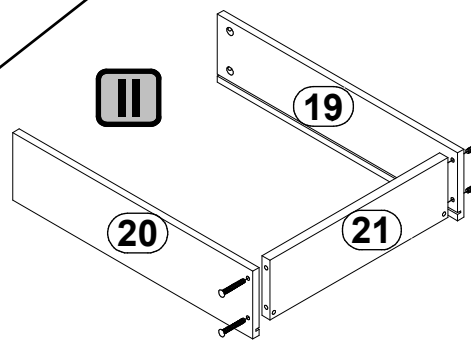
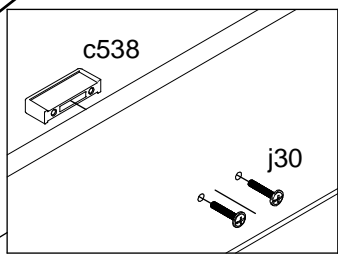
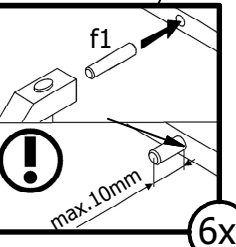
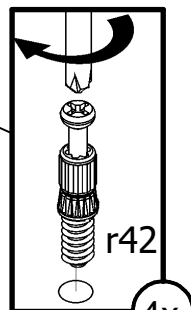
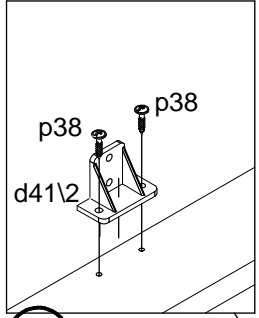
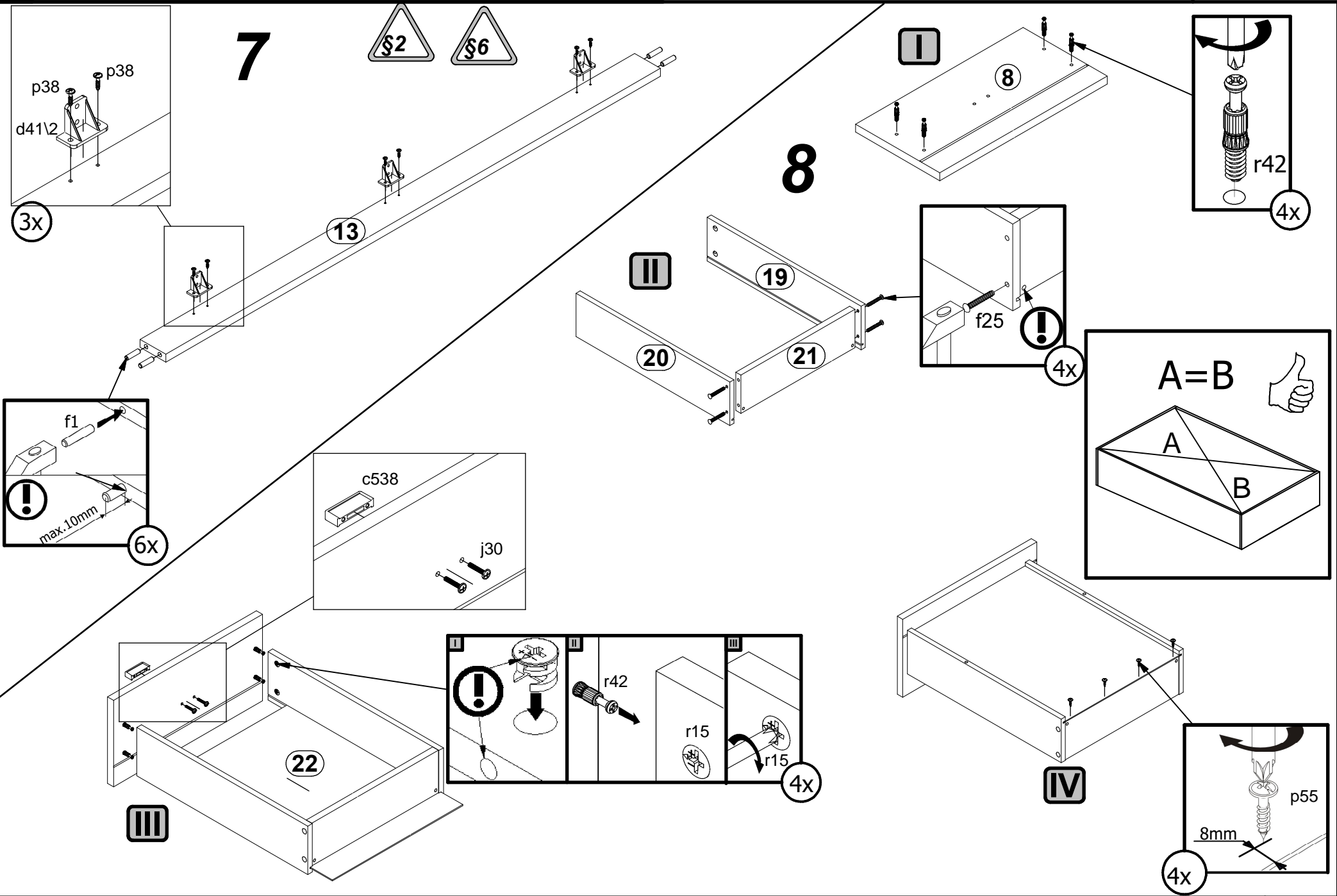
2

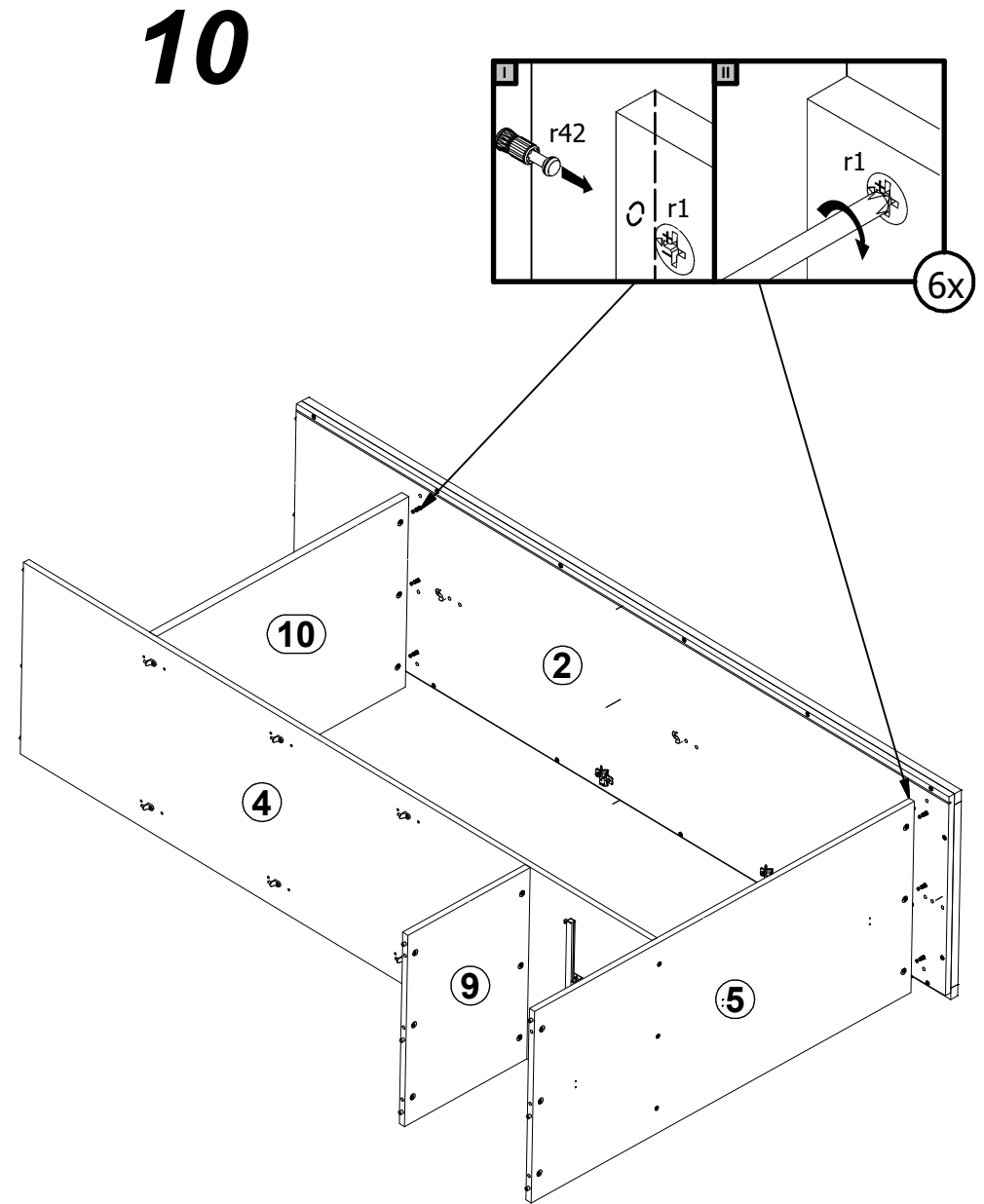
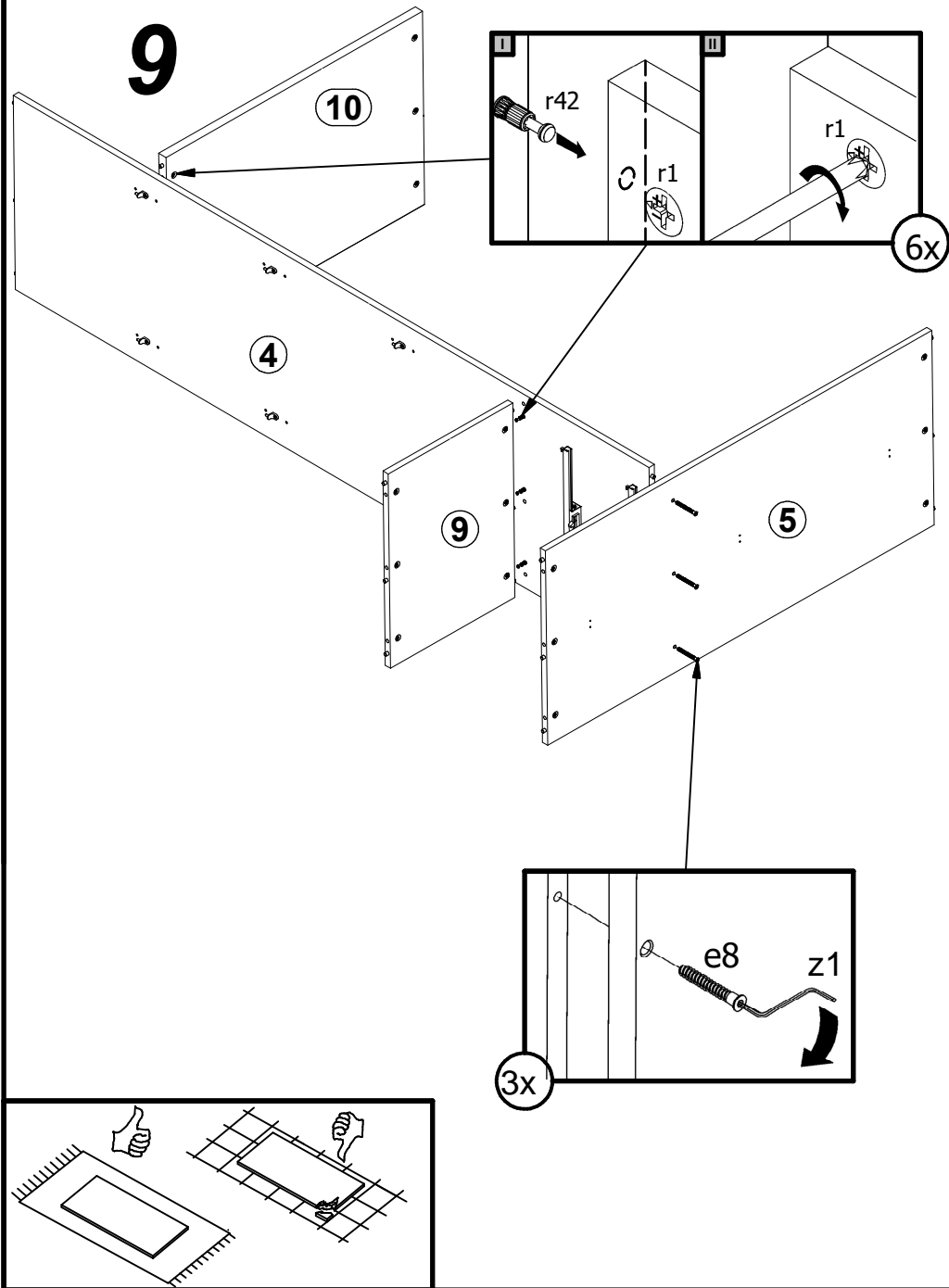


3

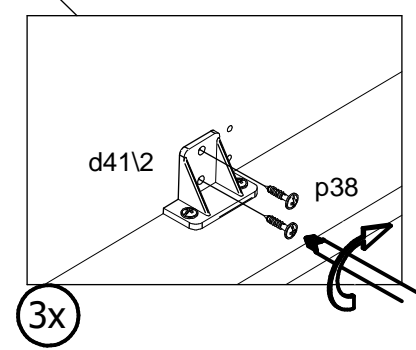
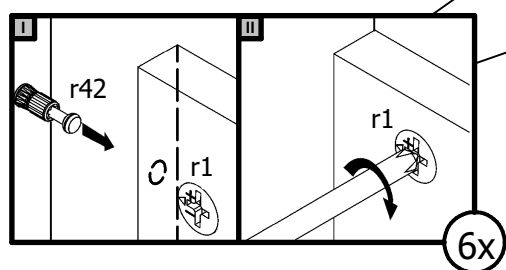
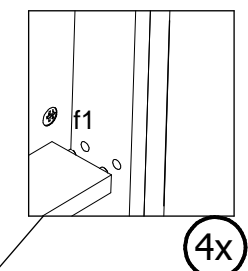
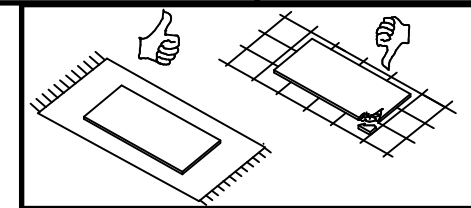
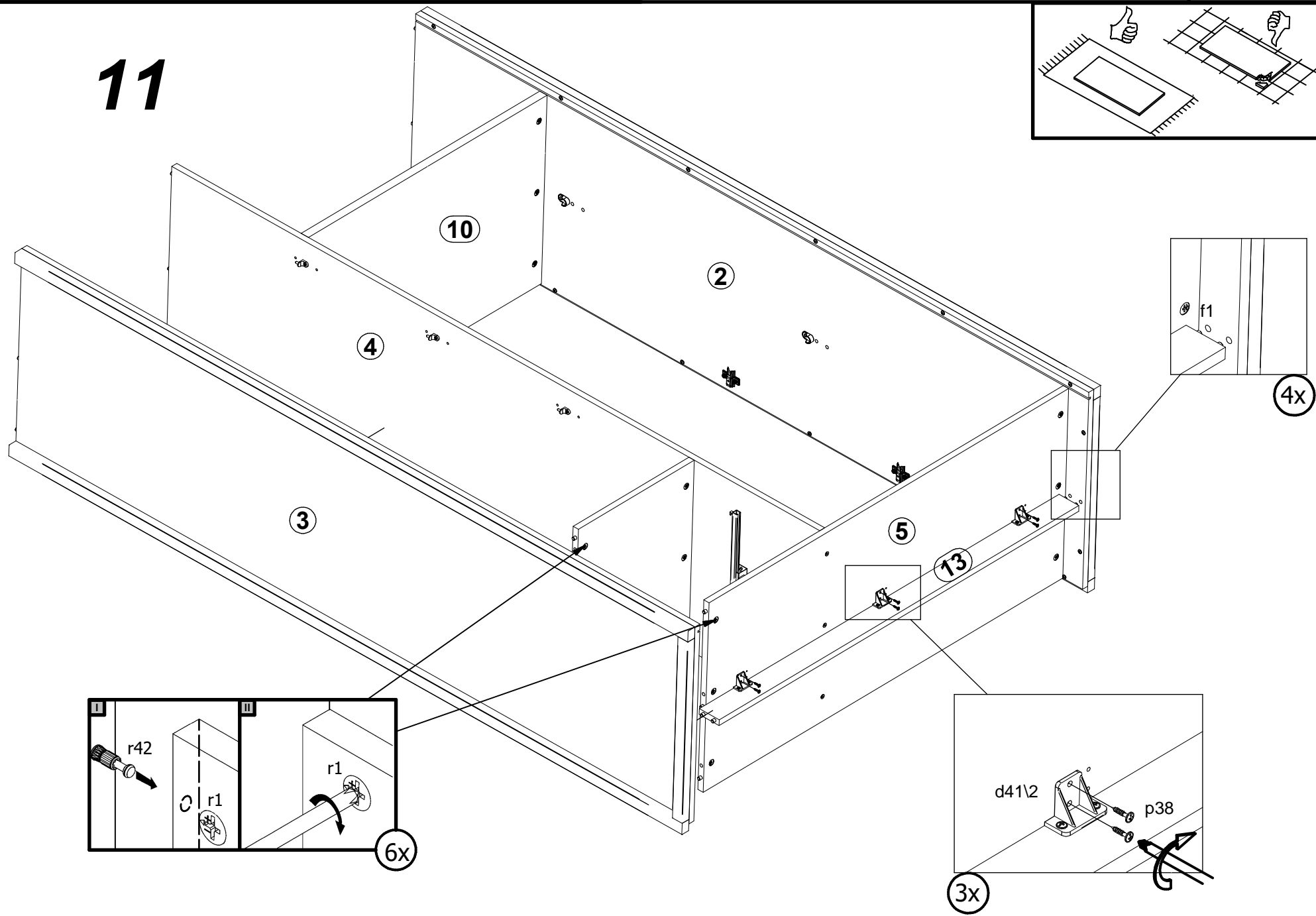


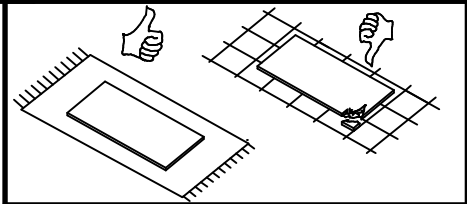




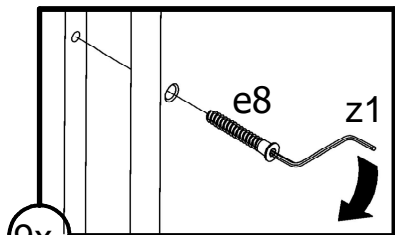
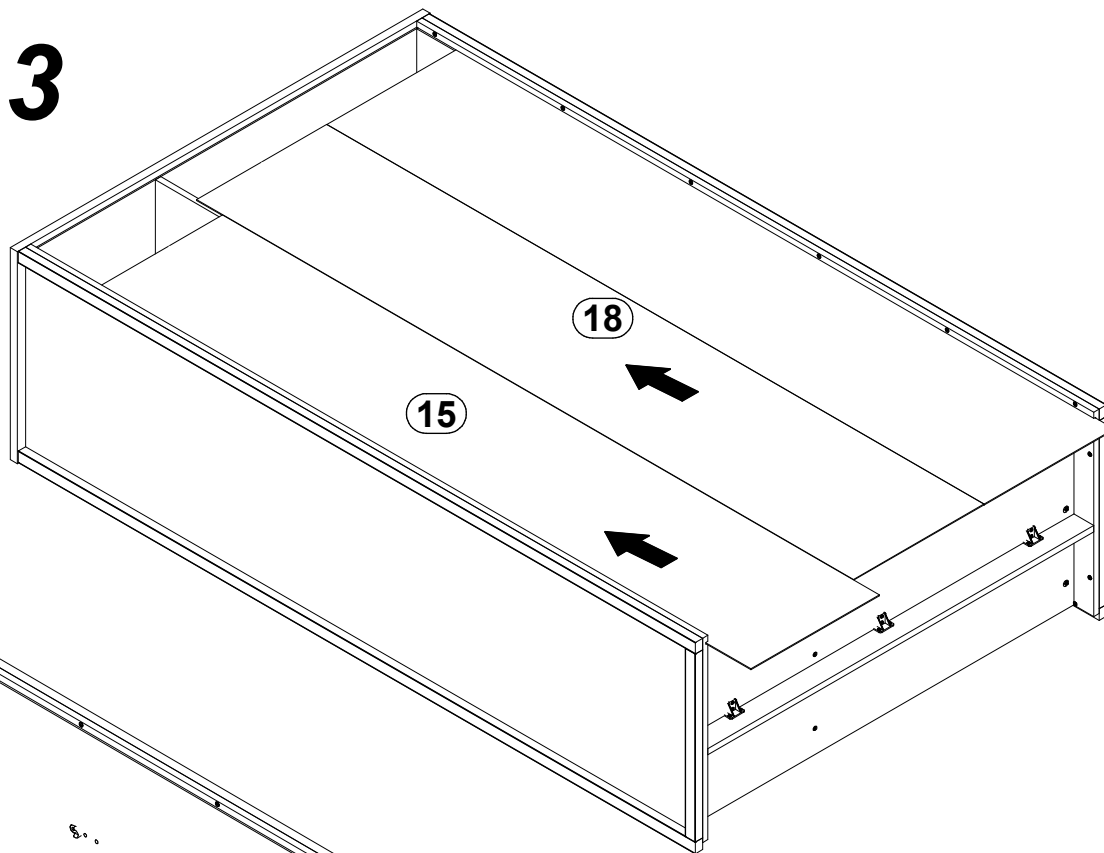


11

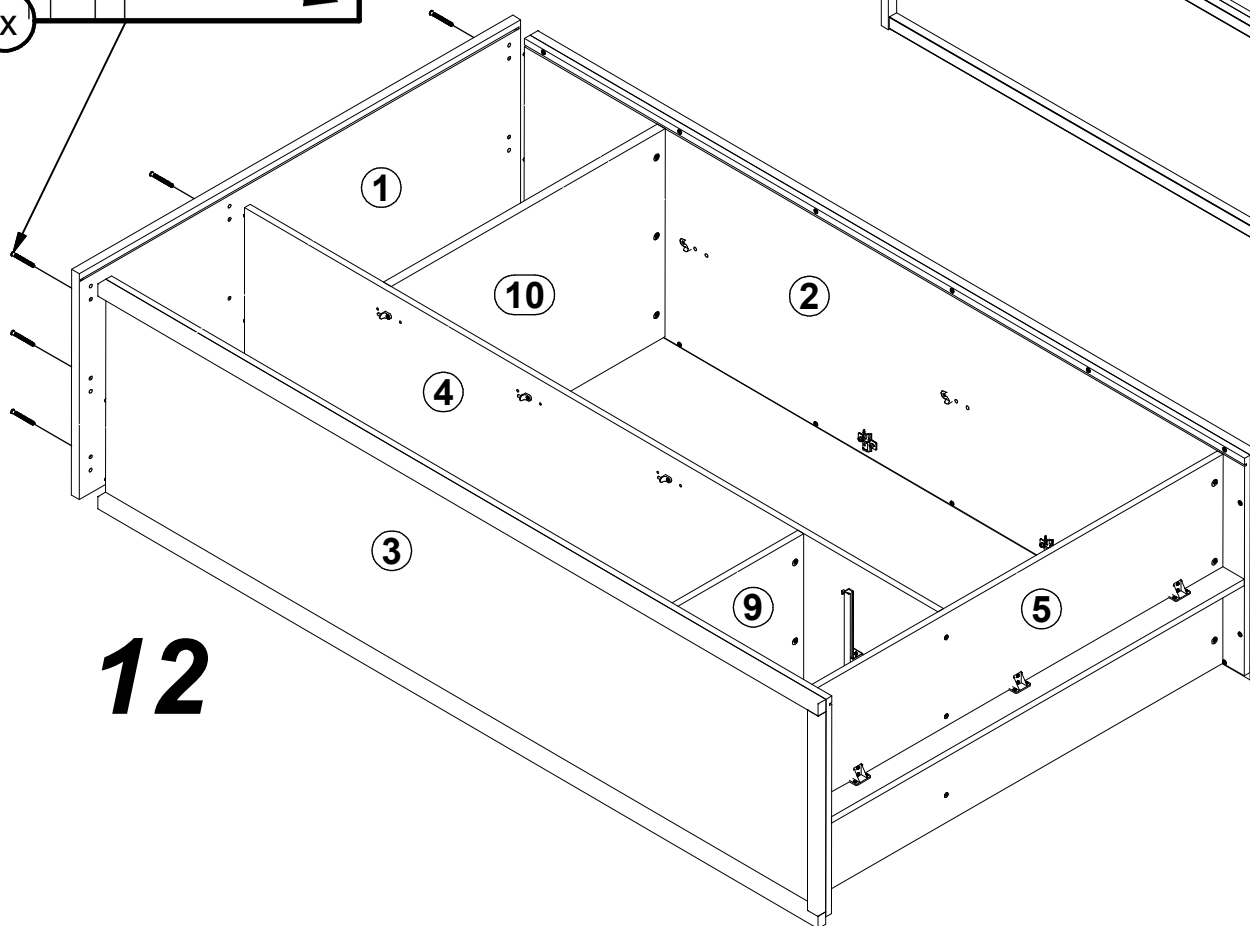




13

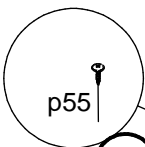


9x

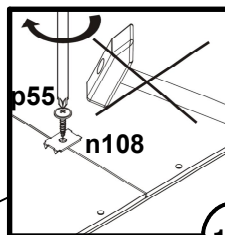


12

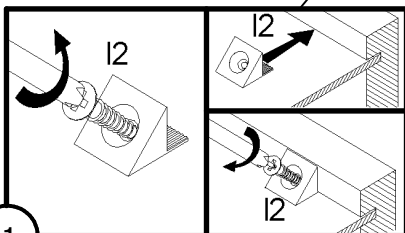
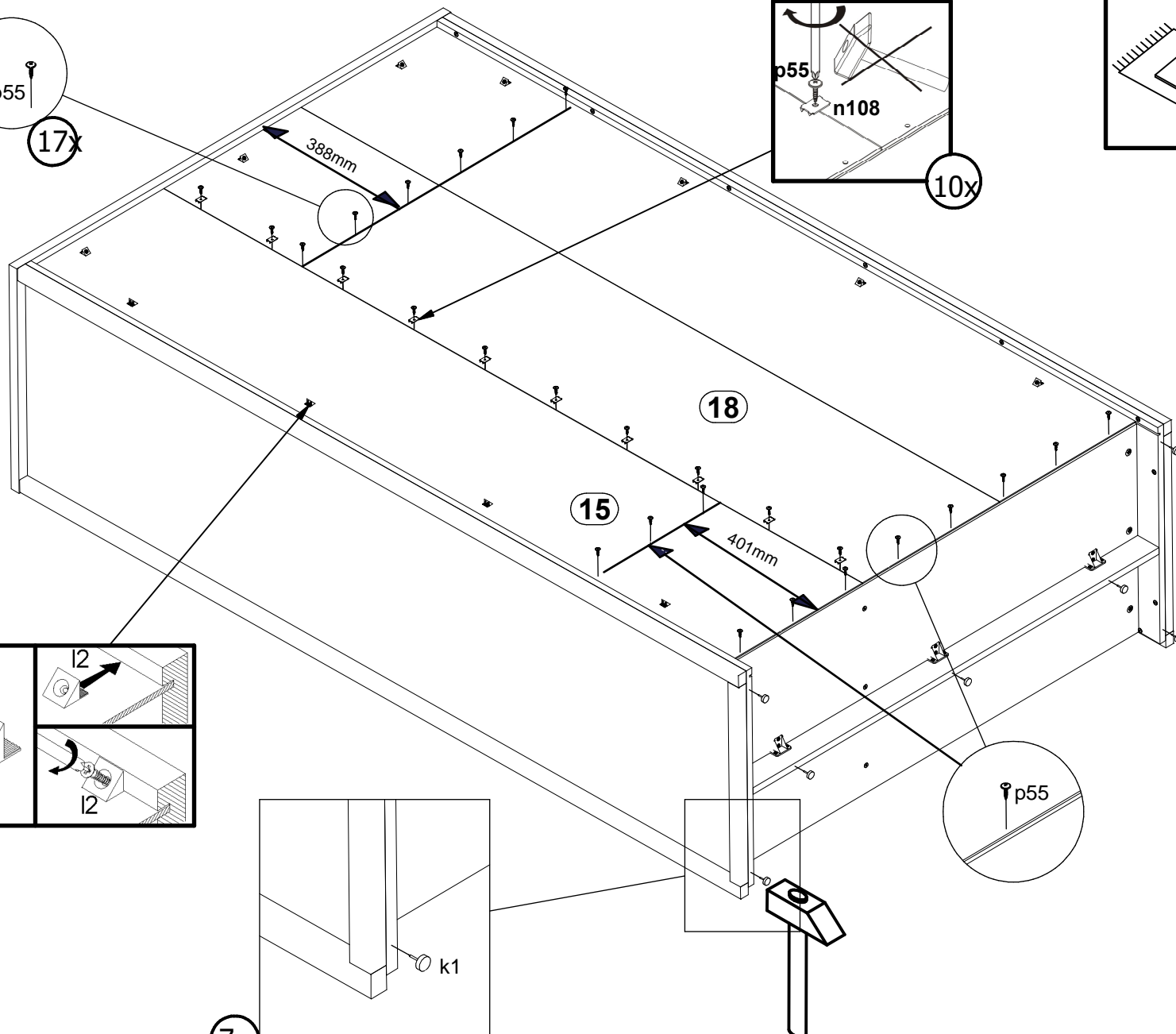
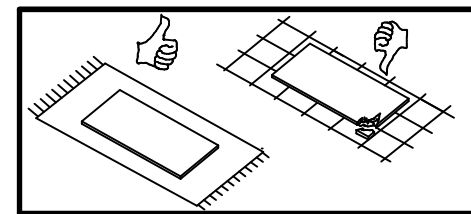
14



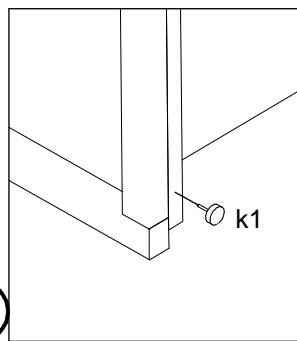
17x



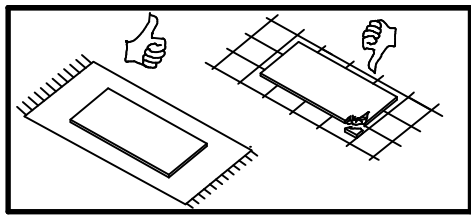
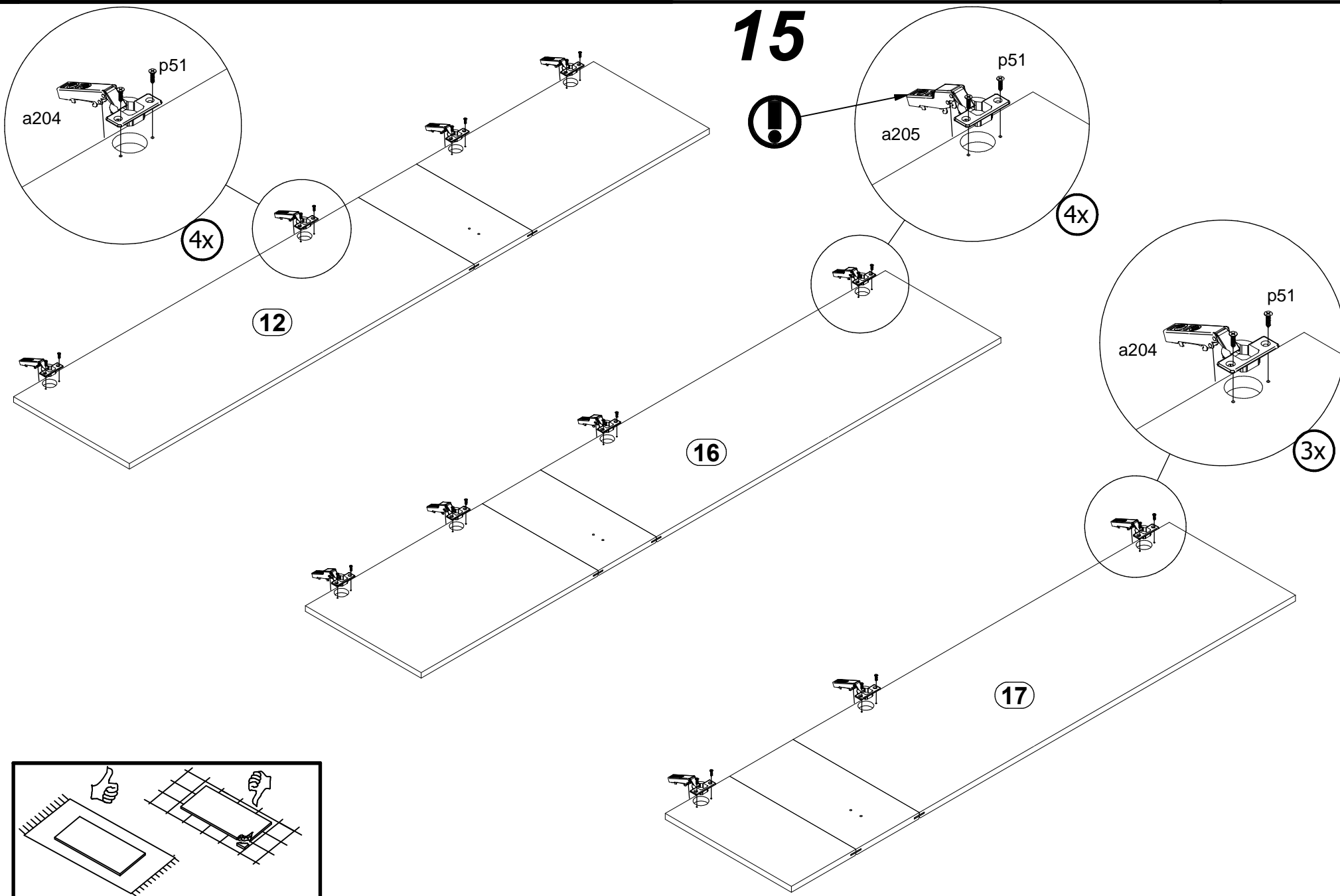
10x

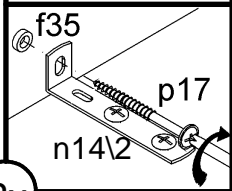
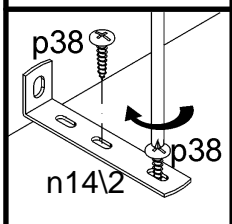
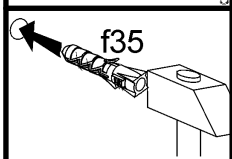
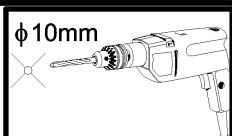
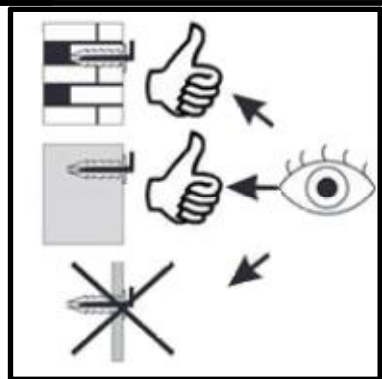


11x

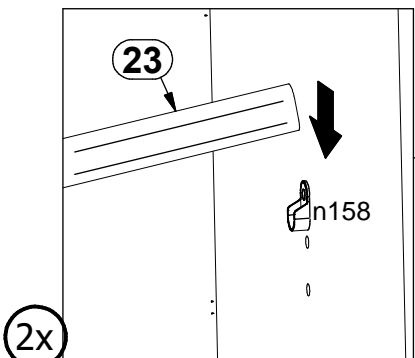
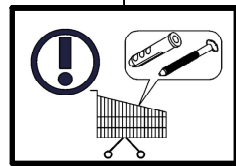


7x

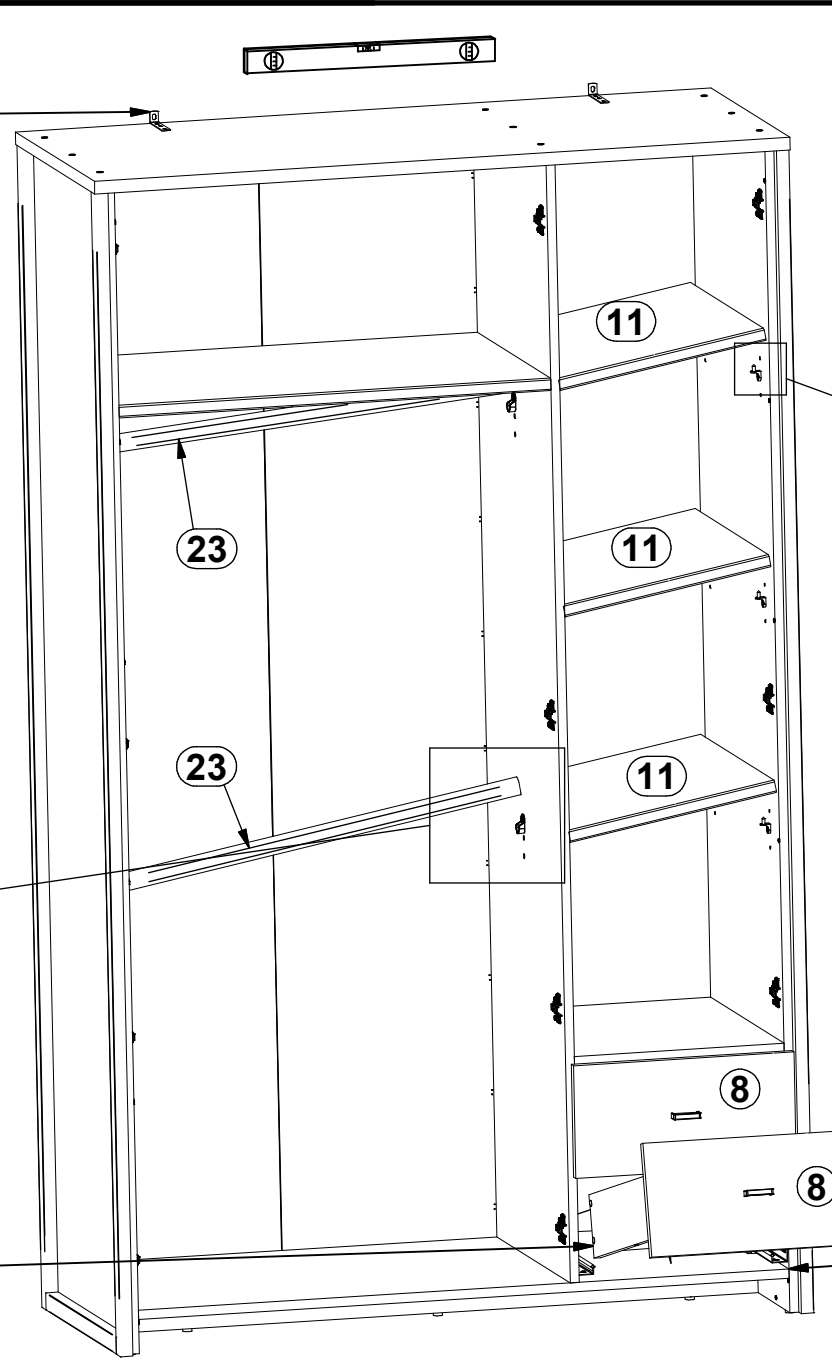
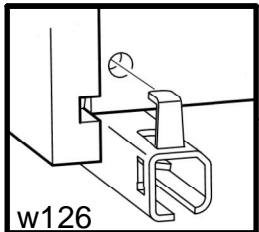




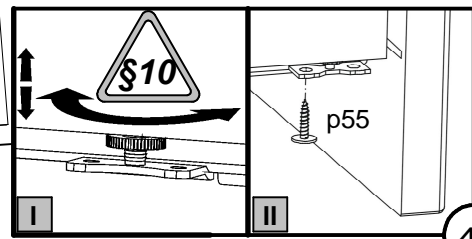
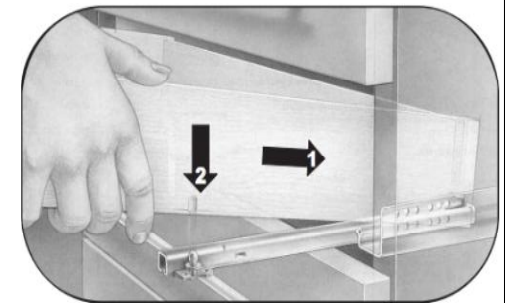
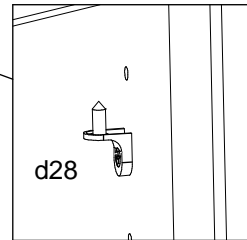
2x



2x

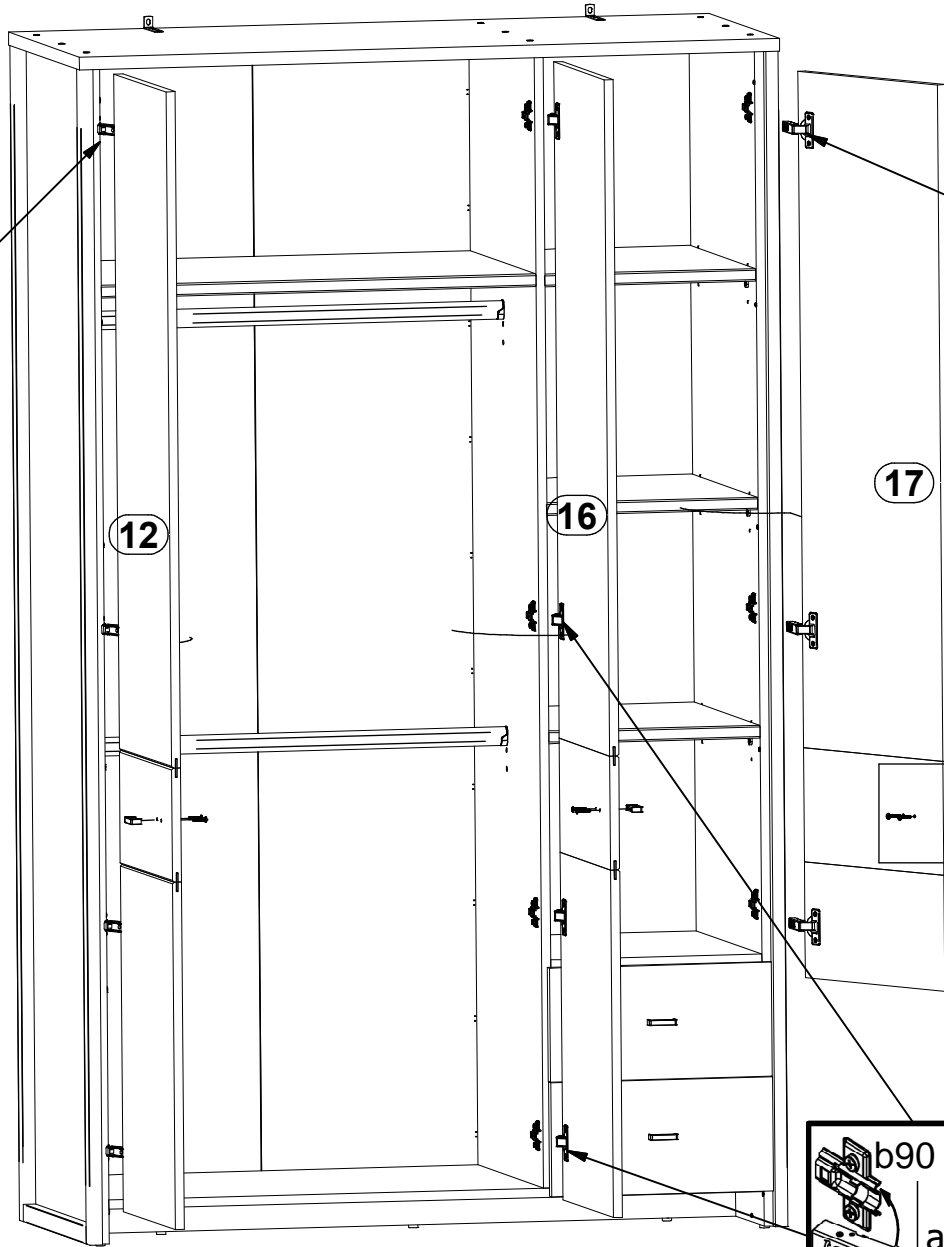
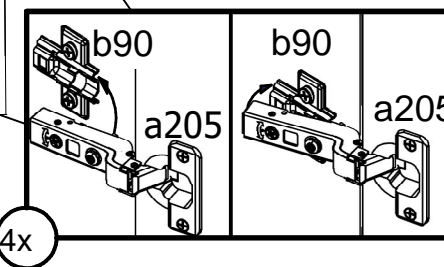
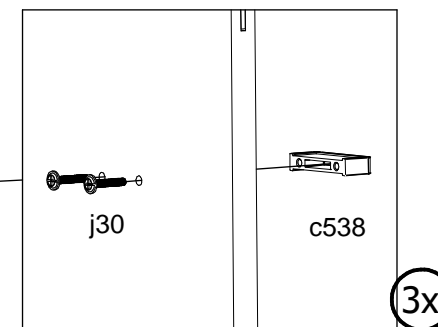
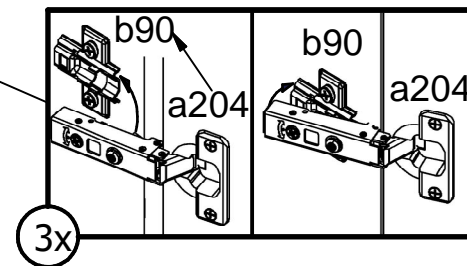
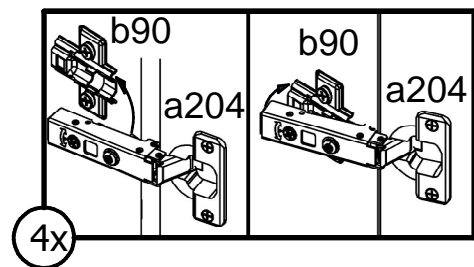


16



4x

17



# 18

