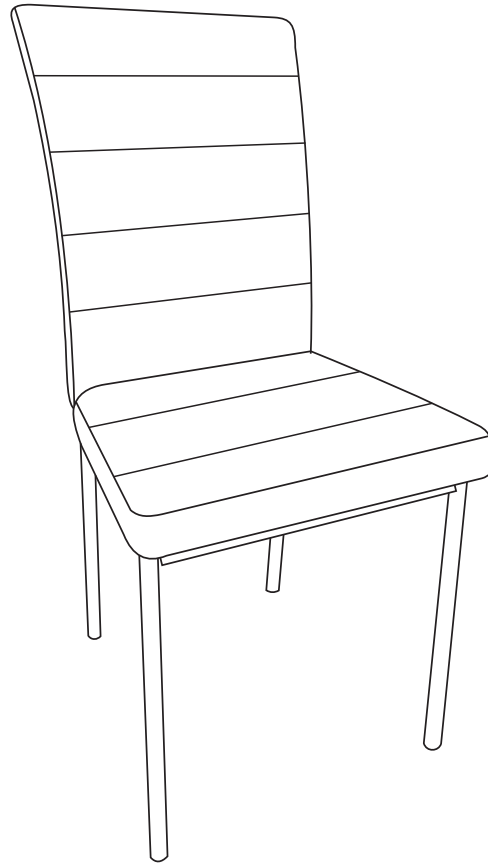


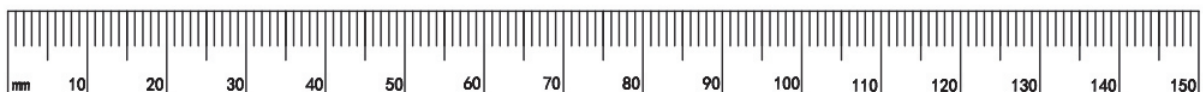
16340138/01/02
JORDAN

LES-MMS D.O.O.
CESTA NA BOKALCE
40, 1000 LJUBLJANA,
SLOVENIA

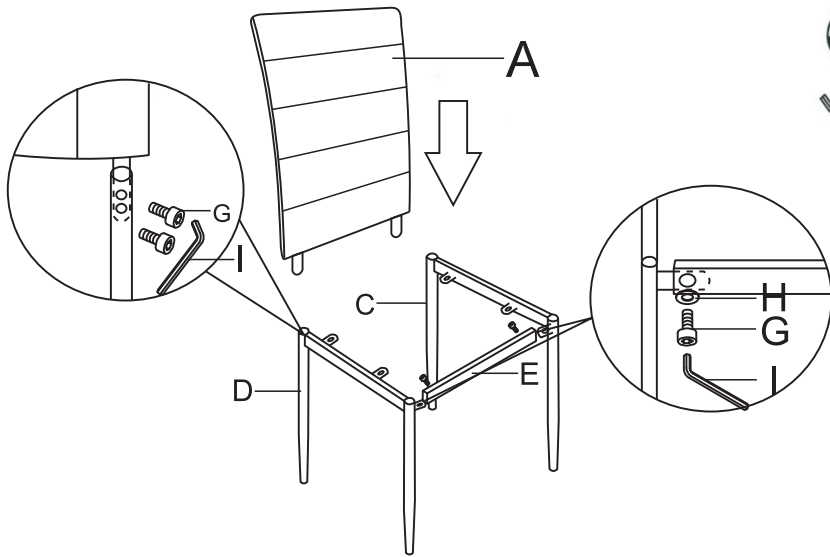
CARRYHOME



A	x1	B	x1	C	x1	D	x1	E	x1
					L		R		
F	x4	G	x6	H	x6	I	x1		
M6X16mm		M6X10mm							



1

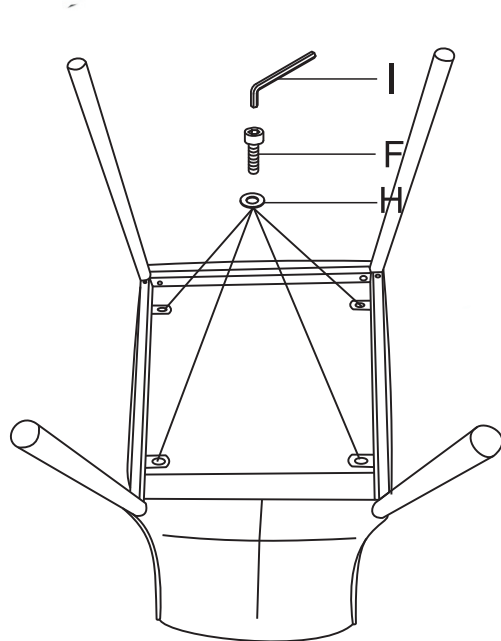


H	x2

G	x6
M6X10mm	

I	x1

2



I	x1

F	x4
M6X16mm	

H	x4

3

