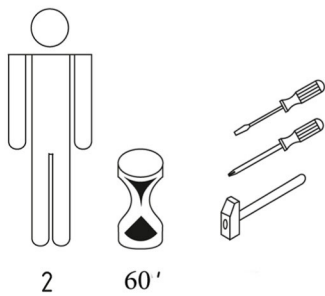
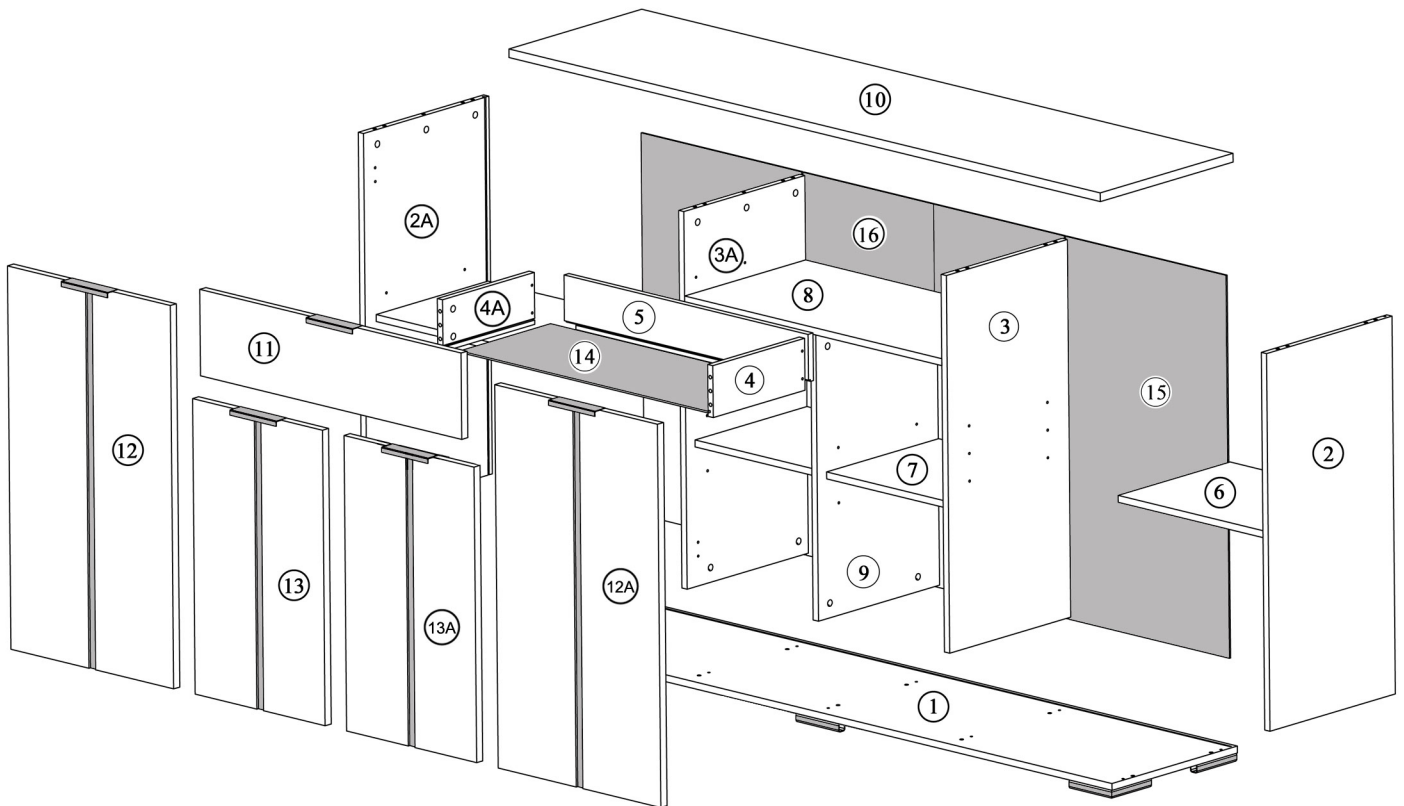
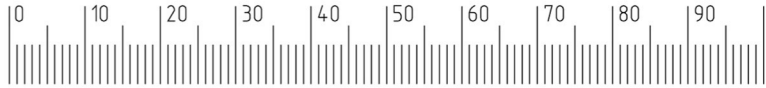
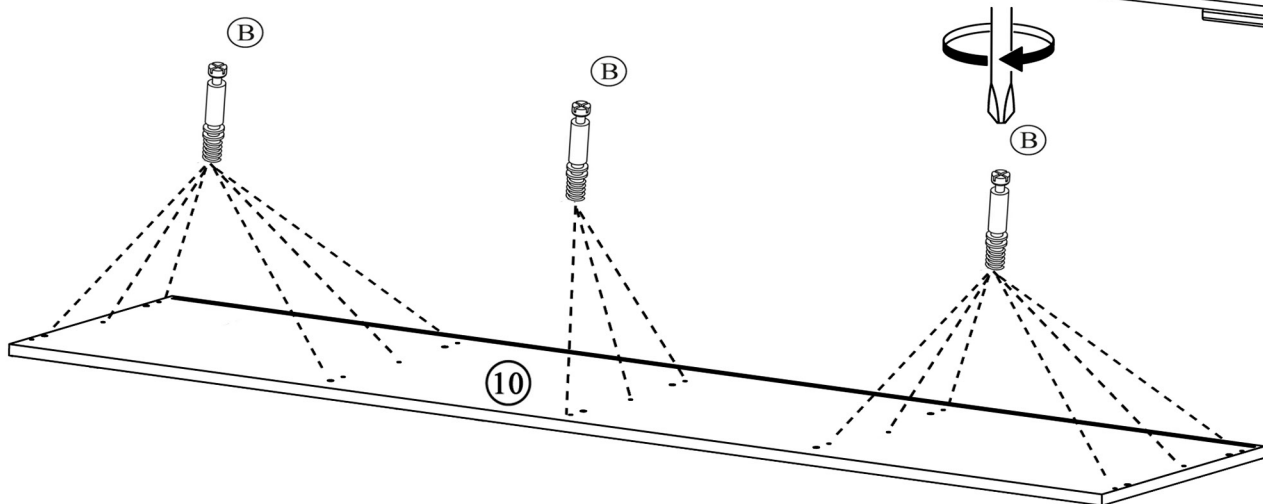
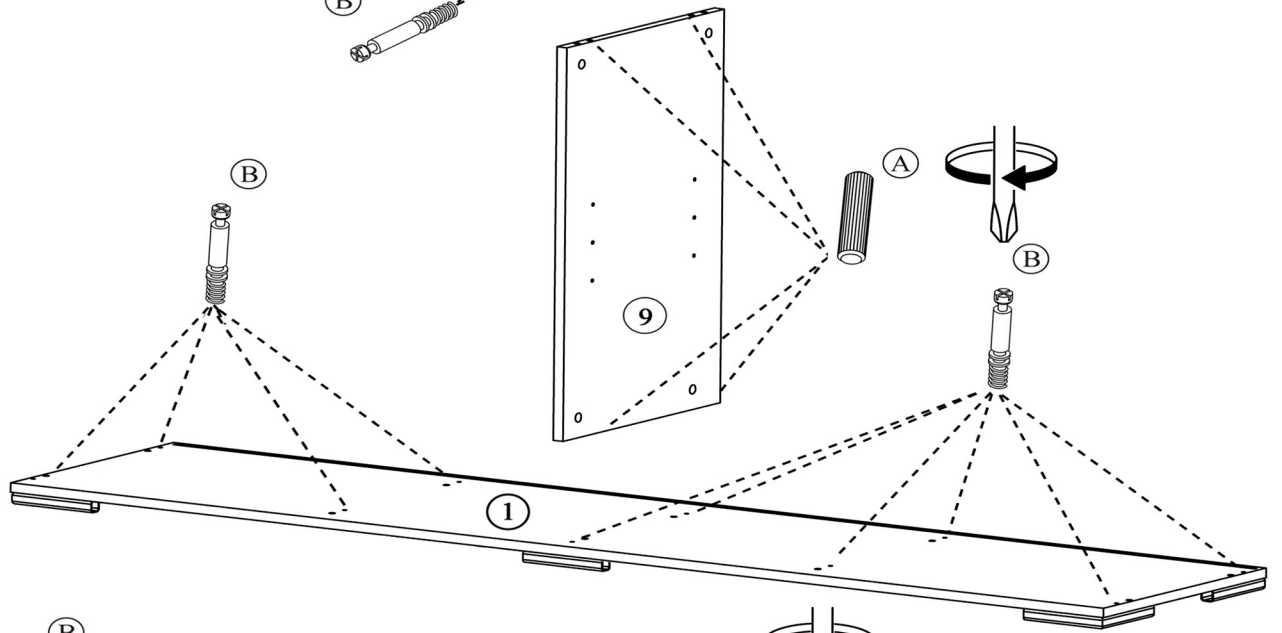
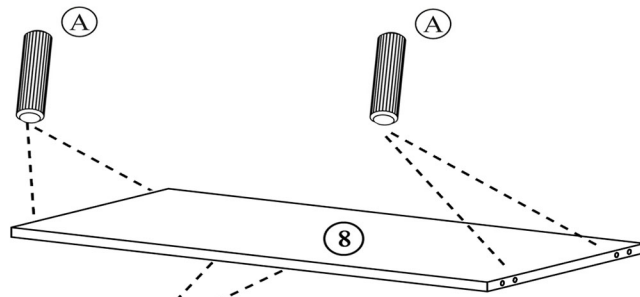
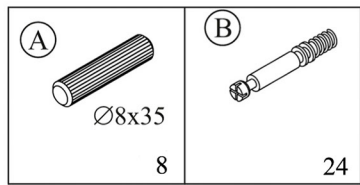
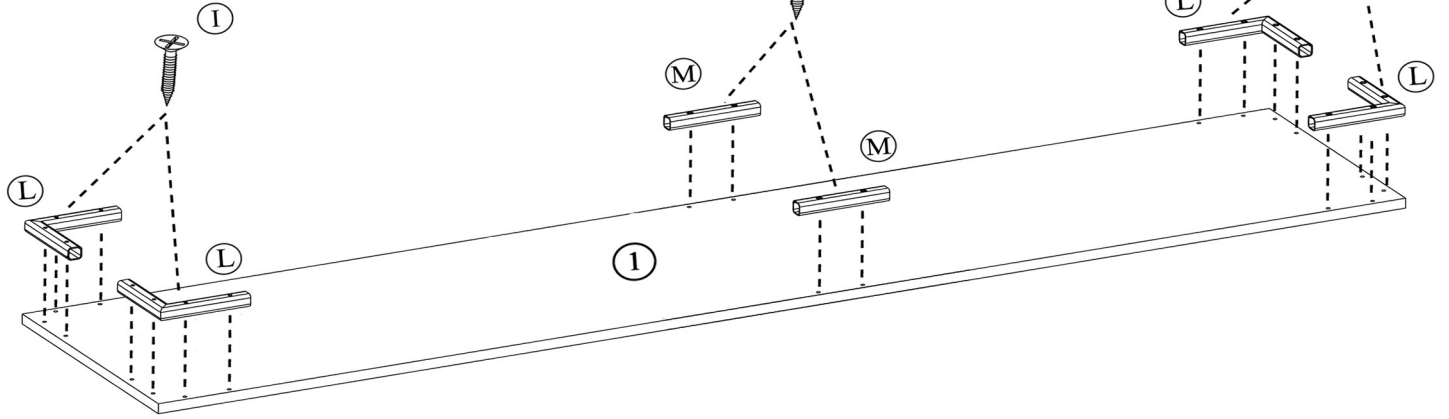
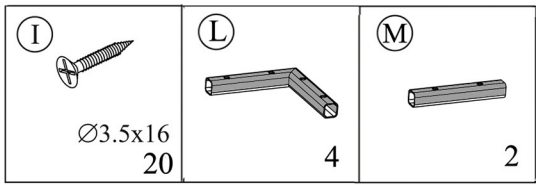


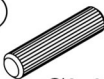
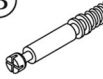

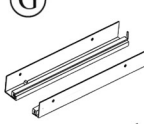


# TROJA 1

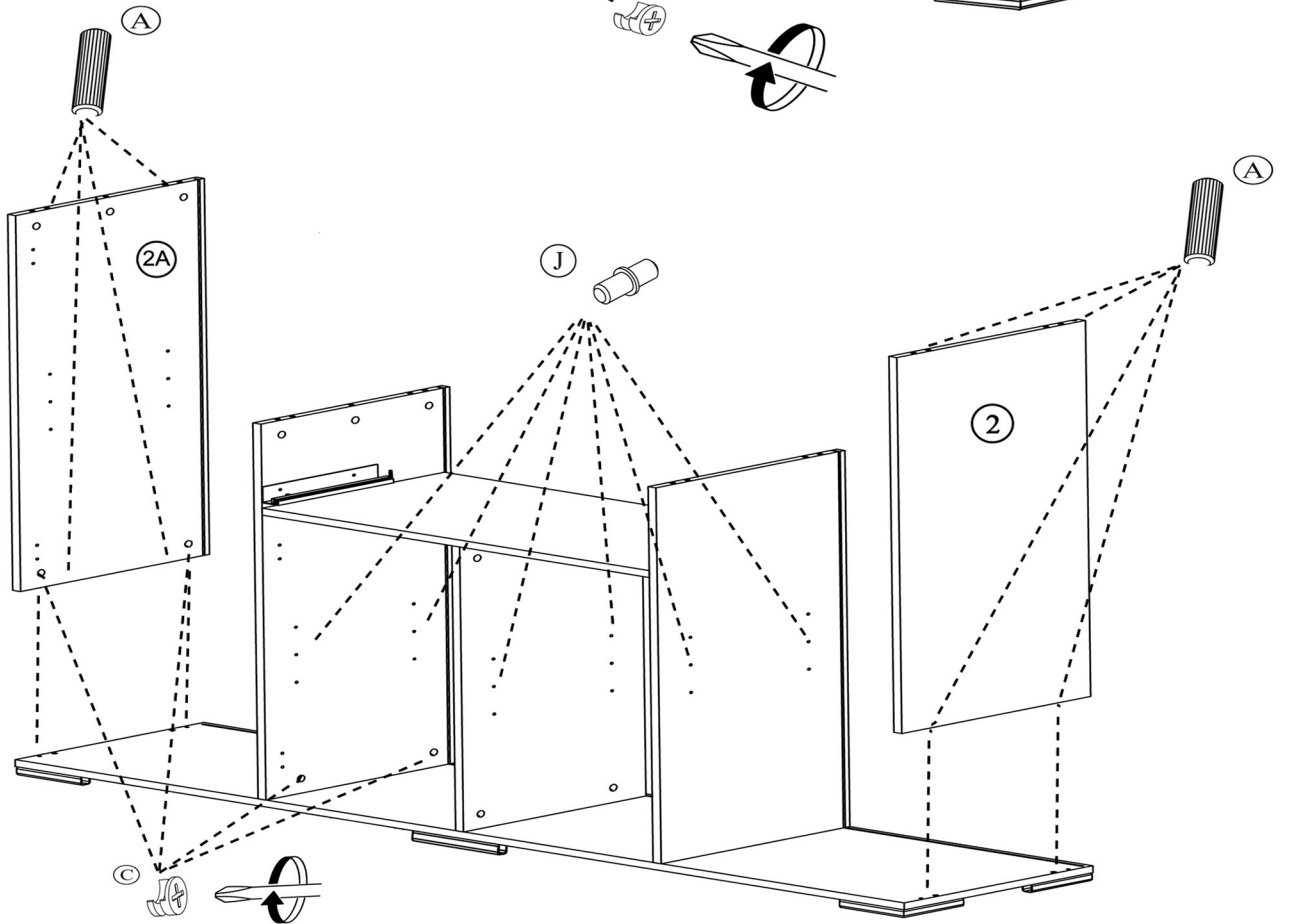
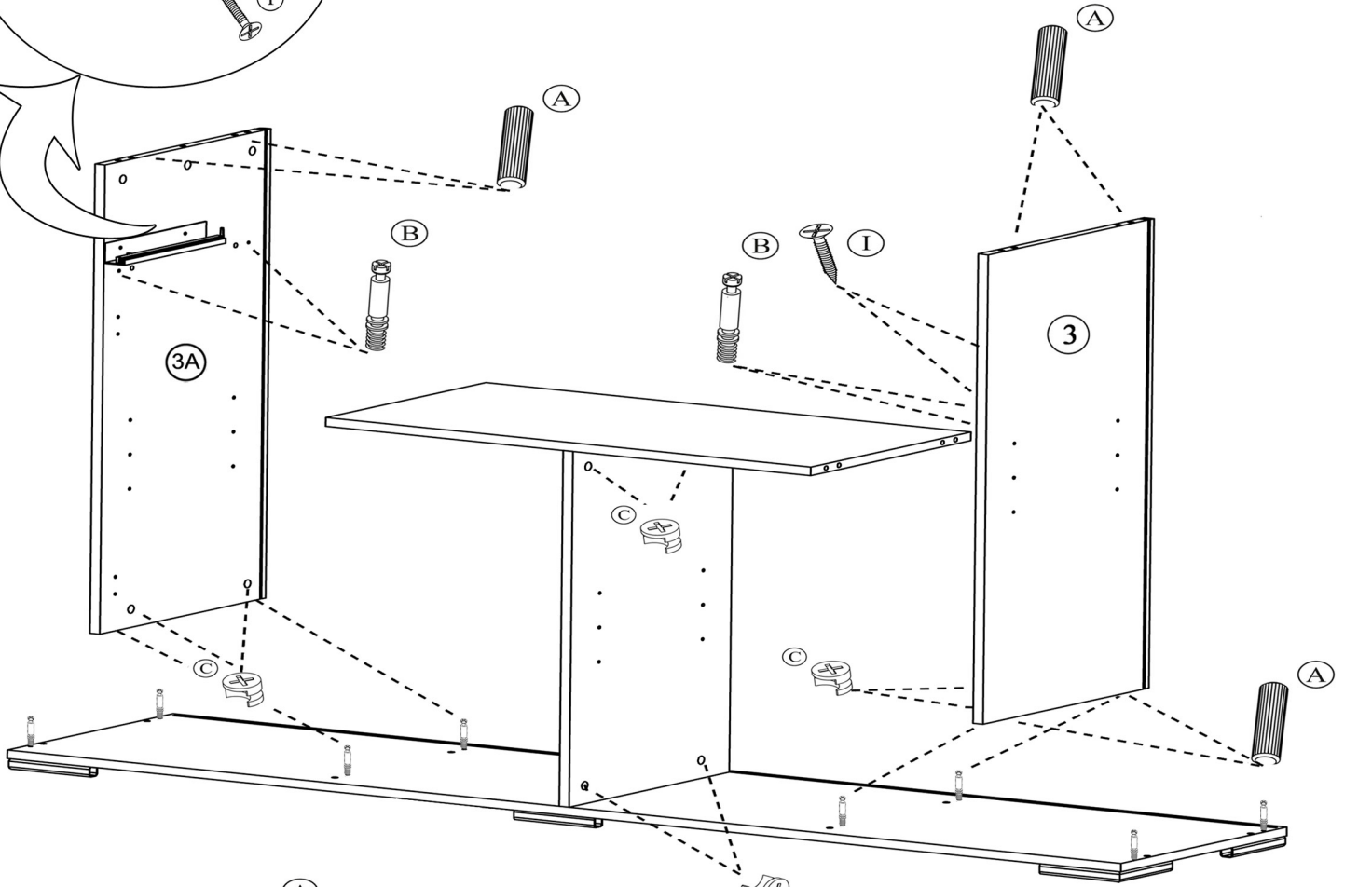
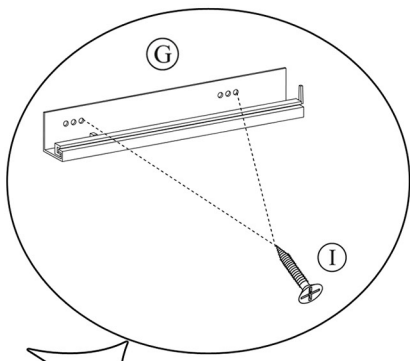


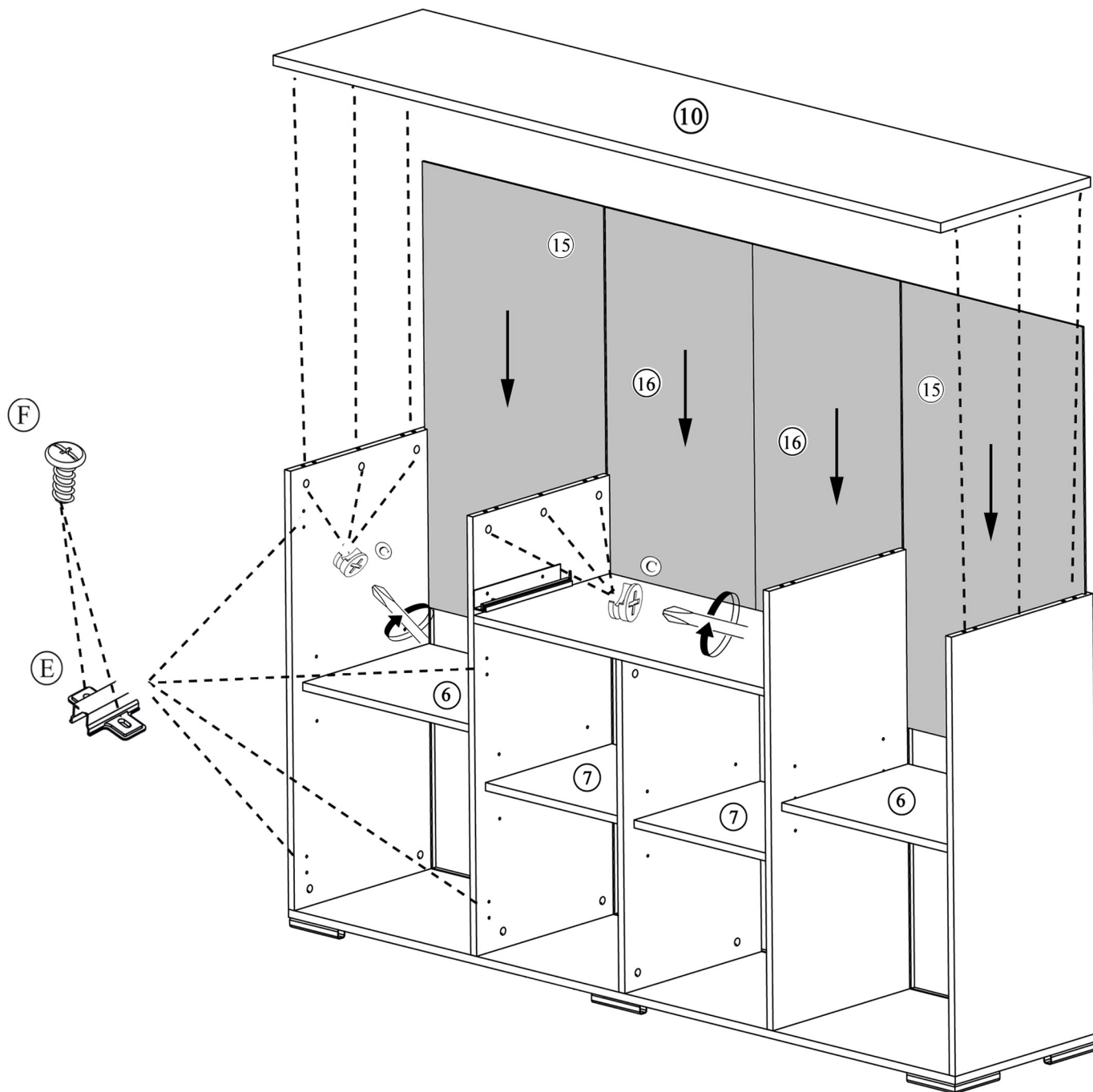
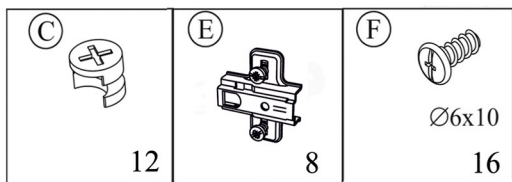
N	dim, mm	Q	P
1	1800x410x16	1	1
2/2A	874x410x16	2	1
3/3A	874x410x16	2	1
4/4A	300x120x16	2	1
5	744x120x16	1	1
6	475x366x16	2	1
7	383x366x16	2	1
8	784x396x16	1	1
9	663x396x16	1	1
10	1802x434x20	1	1
11	796x200x20	1	1
12/12A	887x496x20	2	1
13/13A	684x396x20	2	1
14	756x296x4	1	1
15	886x489x4	2	1
16	886x398x4	2	1

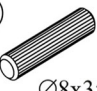
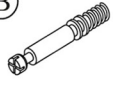

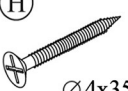

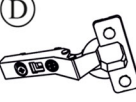

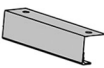
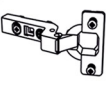
<b>A</b>  Ø8x35 26	<b>B</b>  32	<b>C</b>  32	<b>D</b>  4	<b>E</b>  8	<b>F</b>  Ø6x10 16	<b>G</b>  1	<b>H</b>  Ø4x35 4	<b>V</b>  2
<b>I</b>  Ø3.5x16 90	<b>J</b>  16	<b>K</b>  34	<b>L</b>  4	<b>M</b>  2	<b>N</b>  5	<b>O</b>  4	<b>X</b>  2	<b>W</b>  2



<p>(A)  <math>\varnothing 8 \times 35</math> 16</p>	<p>(B)  4</p>	<p>(C)  16</p>	<p>(G)  1</p>	<p>(I)  <math>\varnothing 3.5 \times 16</math> 4</p>	<p>(J)  16</p>
---	---	--	---	--	--





<p>(A)  <math>\varnothing 8 \times 35</math> 2</p>	<p>(B)  4</p>	<p>(C)  4</p>	<p>(H)  <math>\varnothing 4 \times 35</math> 4</p>	<p>(I)  <math>\varnothing 3.5 \times 16</math> 26</p>	<p>(D)  4</p>	<p>(F)  <math>\varnothing 6 \times 10</math> 16</p>	<p>(N)  5</p>	<p>(O)  4</p>
--	--	--	---	--	---	--	--	--

