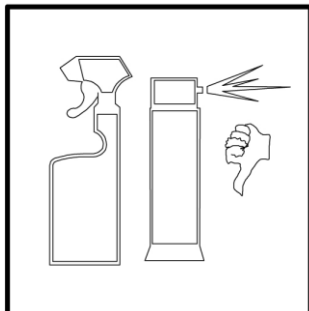
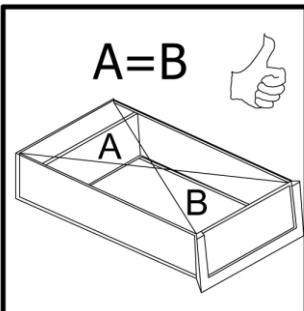
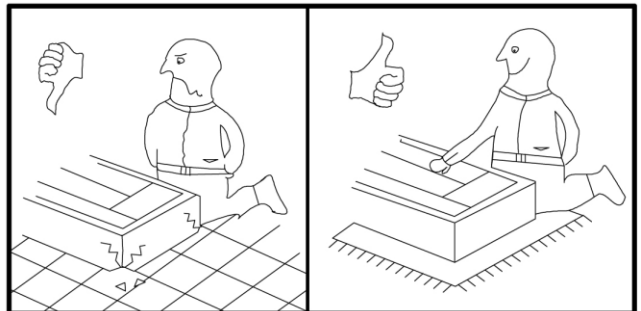
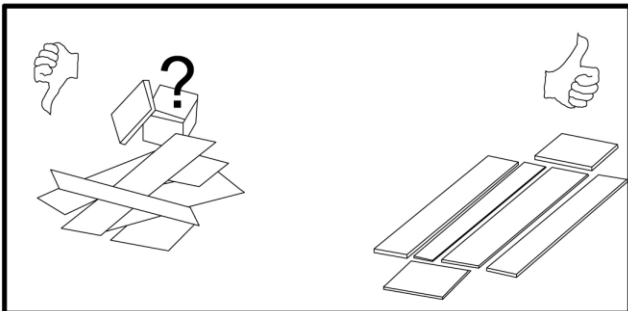
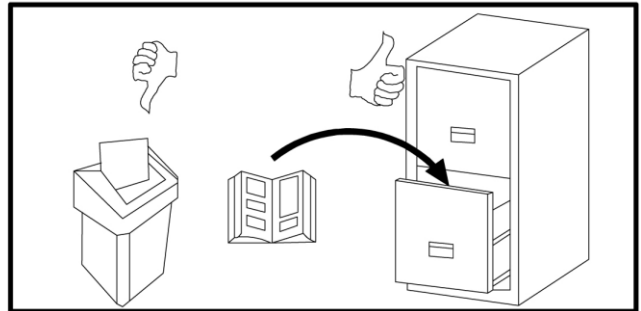
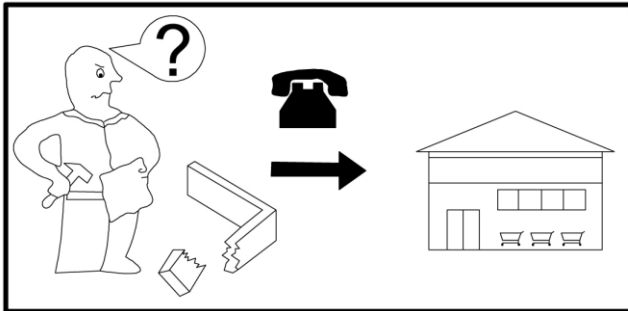
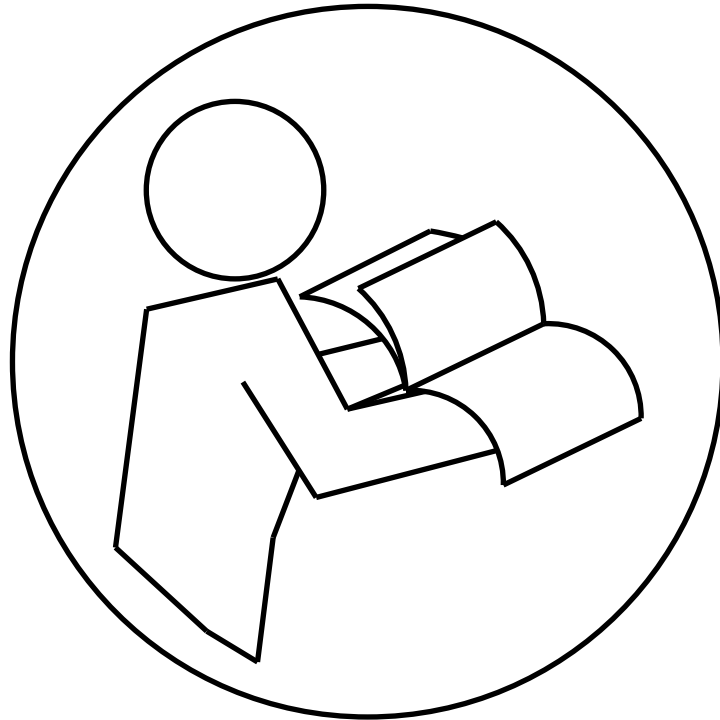
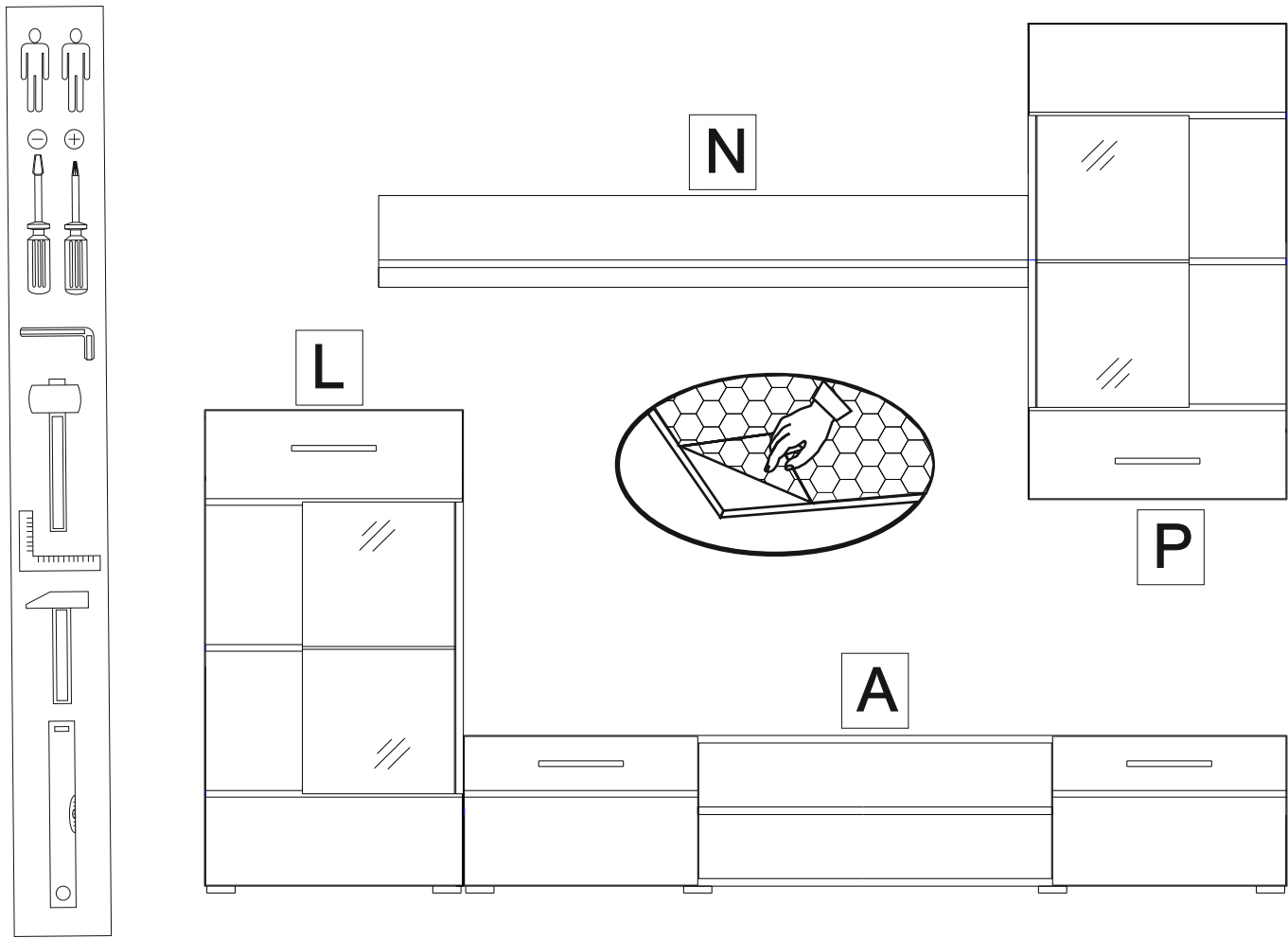
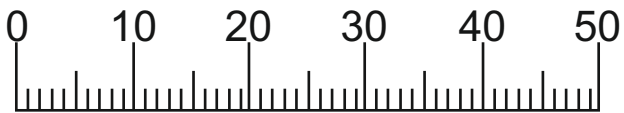


SHOT





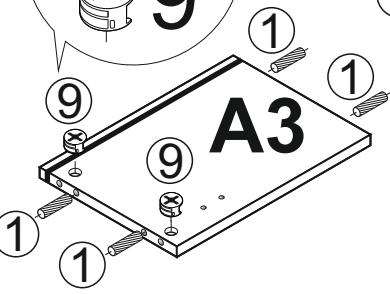
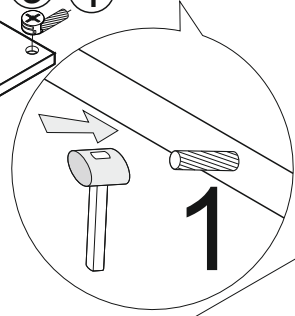
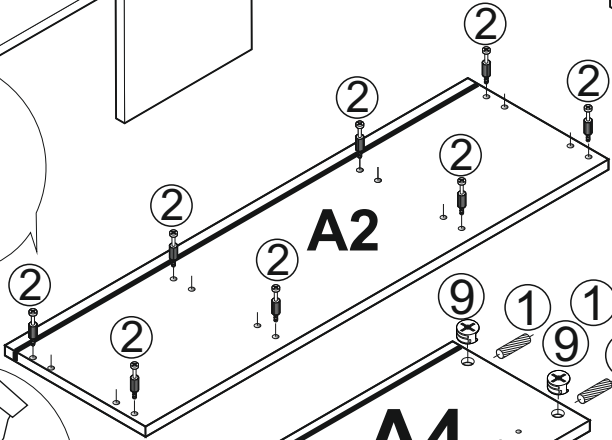
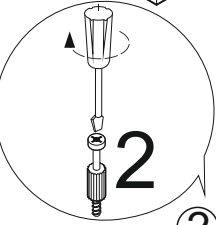
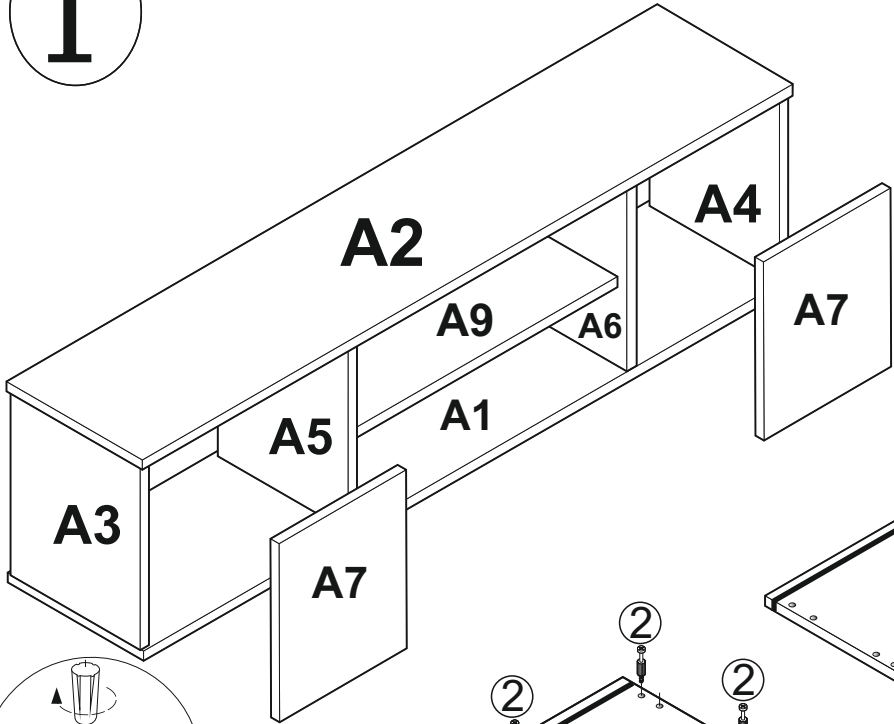
1	x32	2	x24	3	x4	4	x8 3.5x30	4A	x3 4x16
5	x4	6	x30 5x11EU	7	x2	9	x24	9A	x24
10	x10	13	x4	14	x8	17	x1	18	x1
21	x4 4x30	22	x14	22A	x14	26	x1	38	x26
39	x64 3x20	40	x12	41	x2	54	x4 ø35mm	72	x2
80	x6								



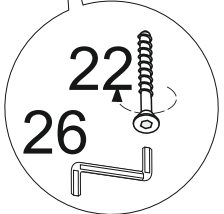
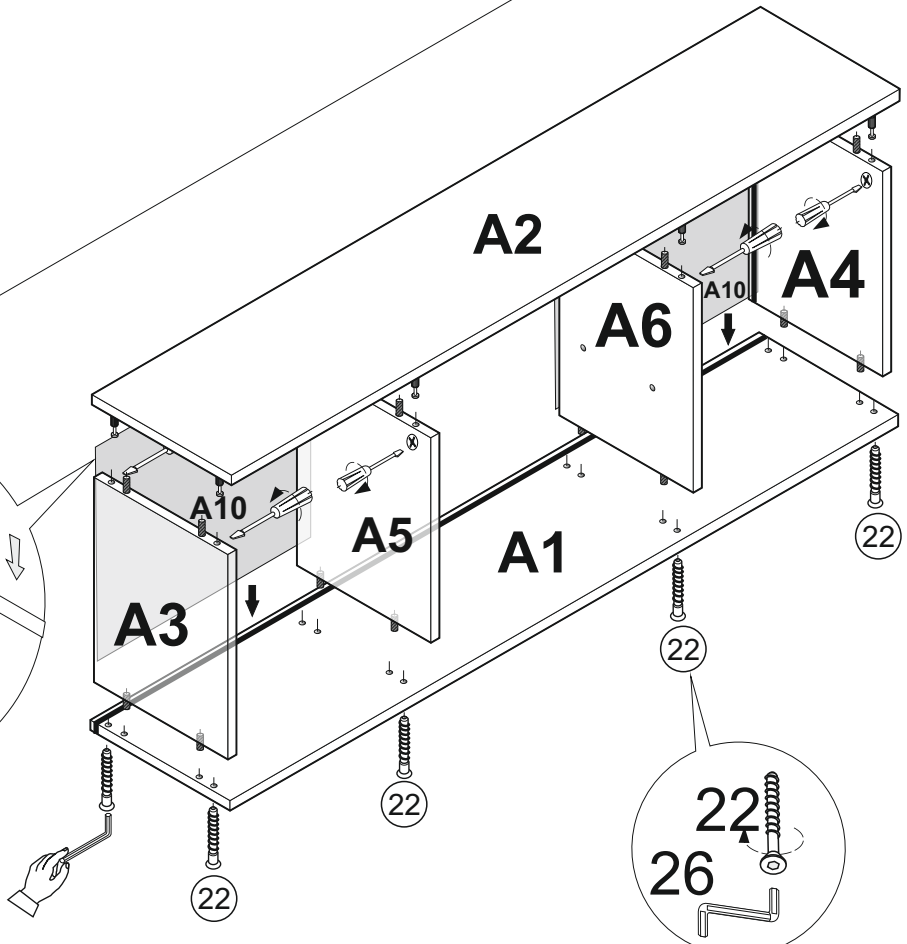
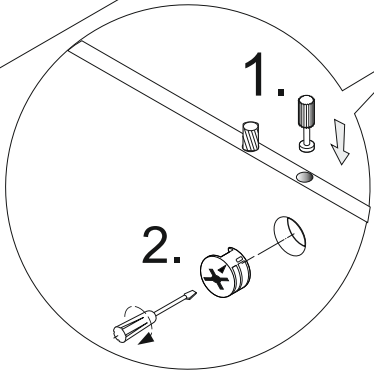
I

A

A1 / A2	1752mm x 380mm
A3 / A4	288mm x 380mm
A5 / A6	288mm x 360mm
A7	316mm x 496mm



II



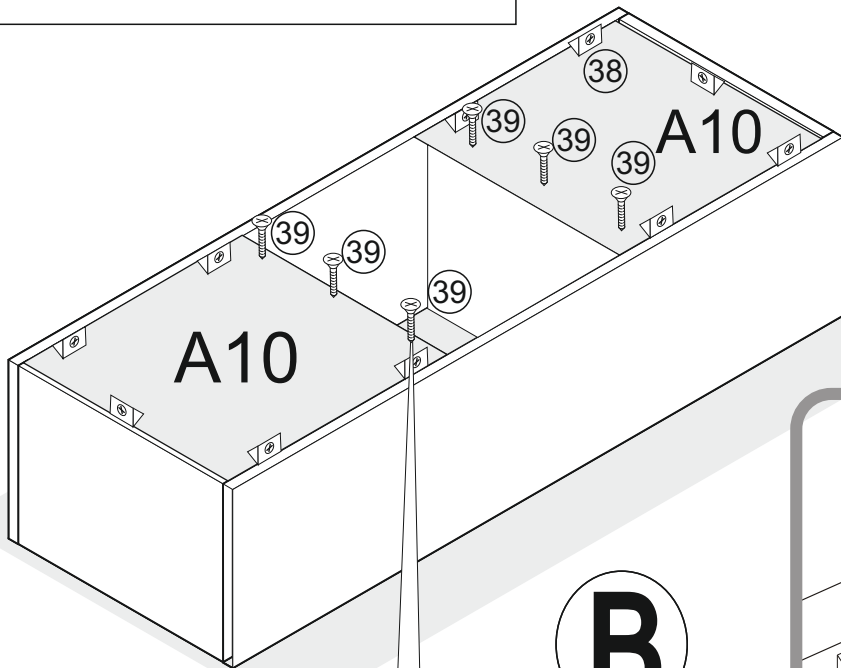
III

A

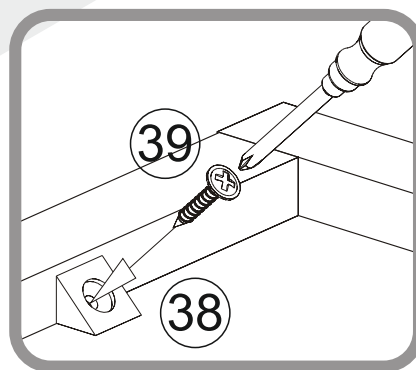
A10 298mm x 493mm

A

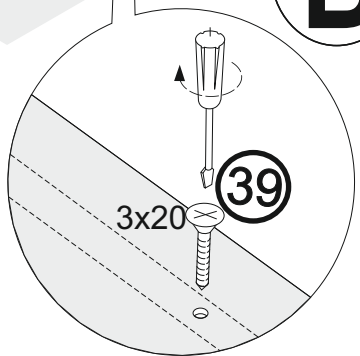
x1 = x2



C

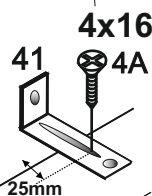
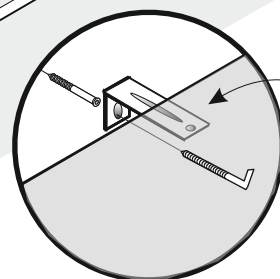
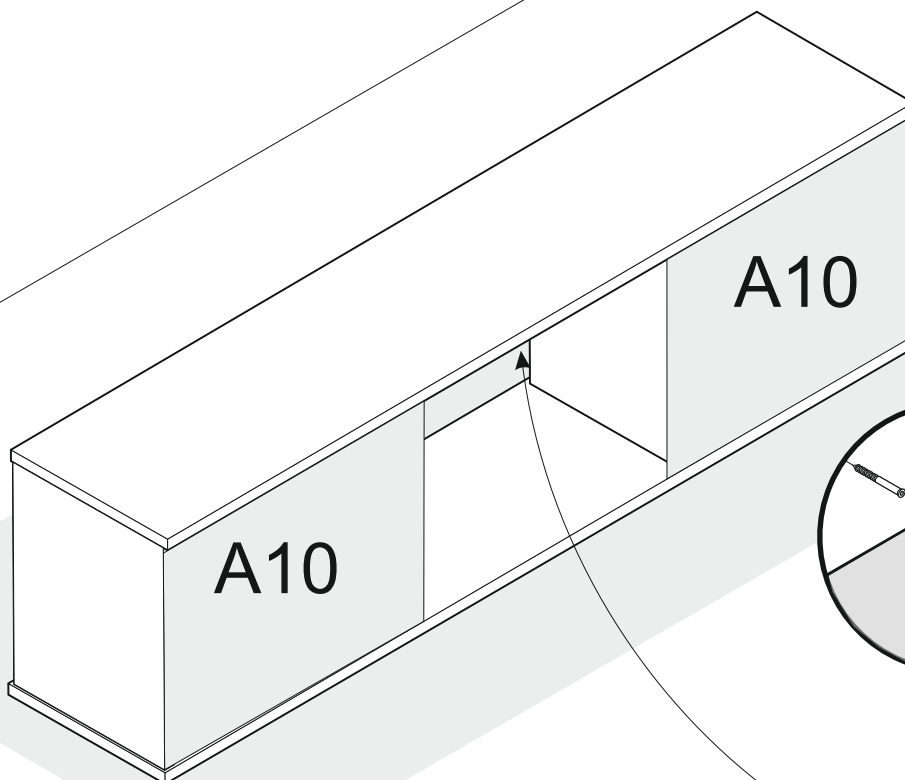


B



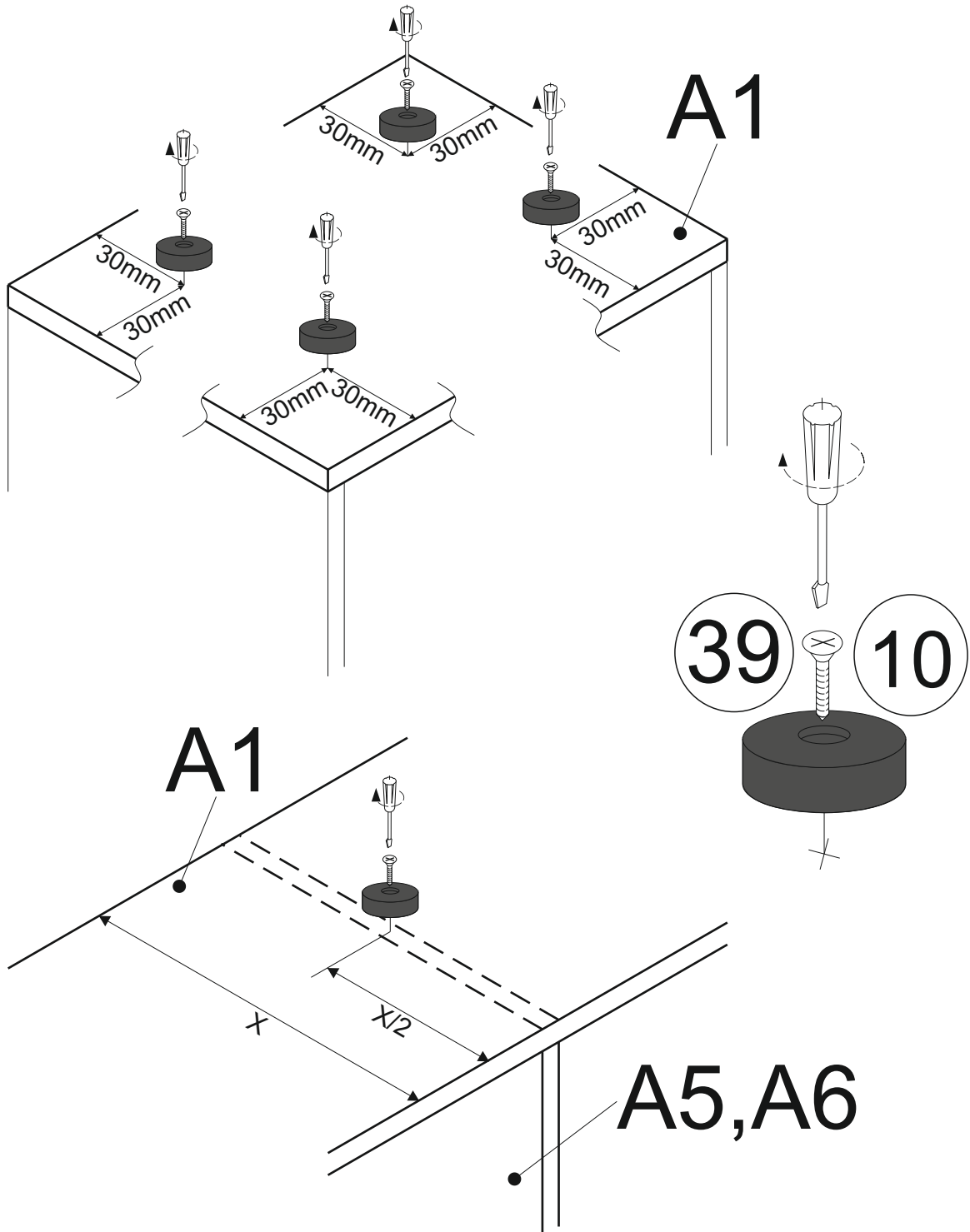
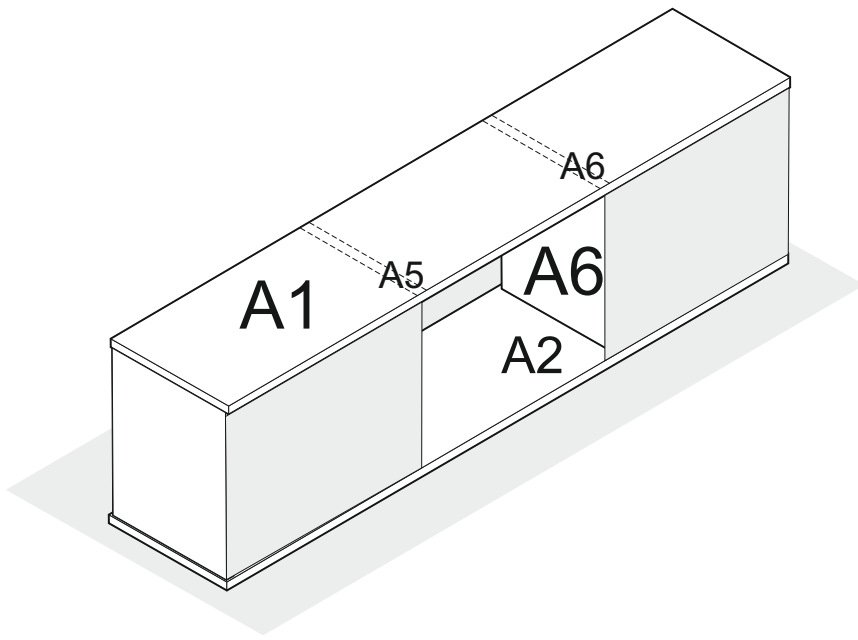
41		X 1
4A		X 1

IV



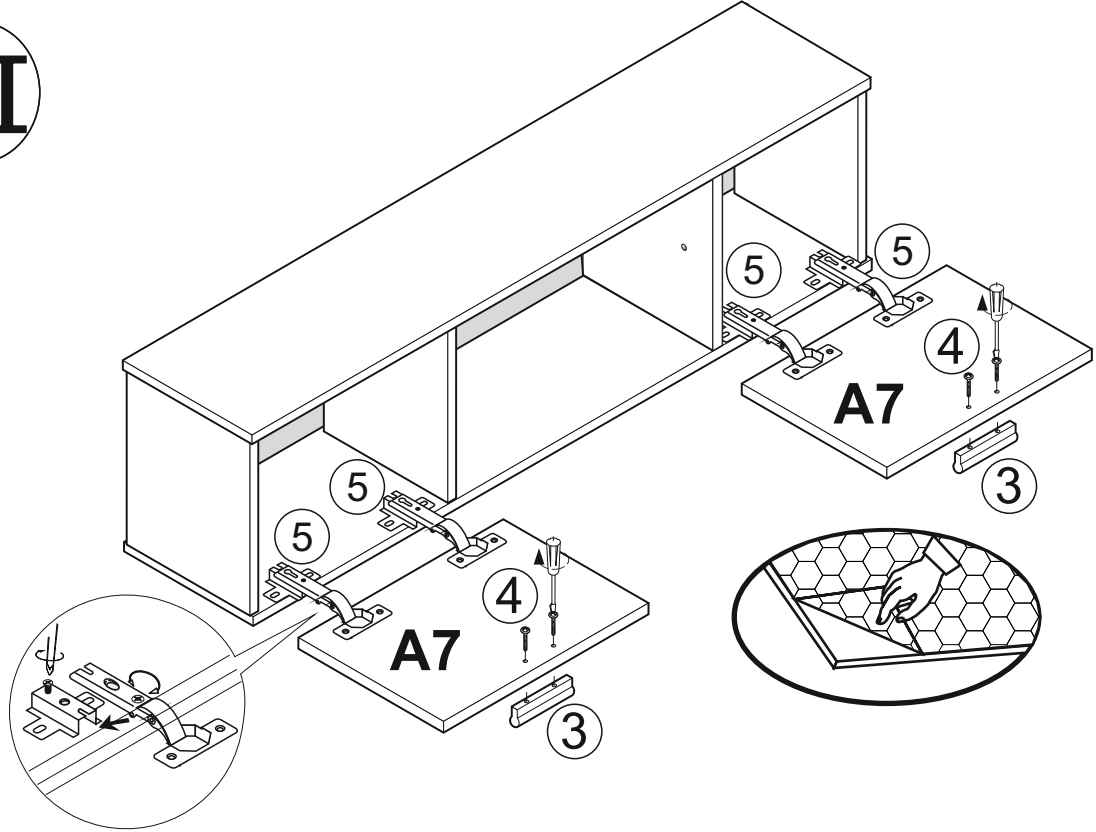
V

A

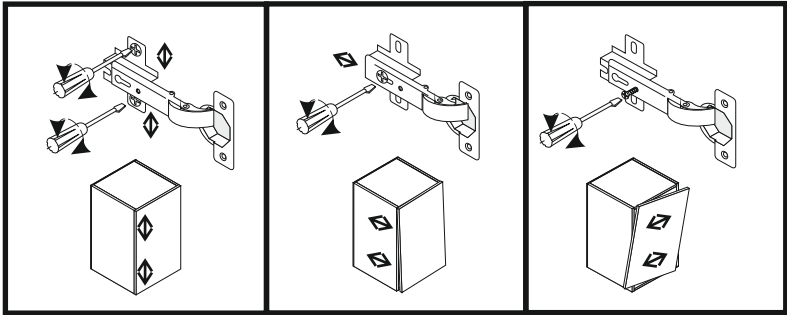
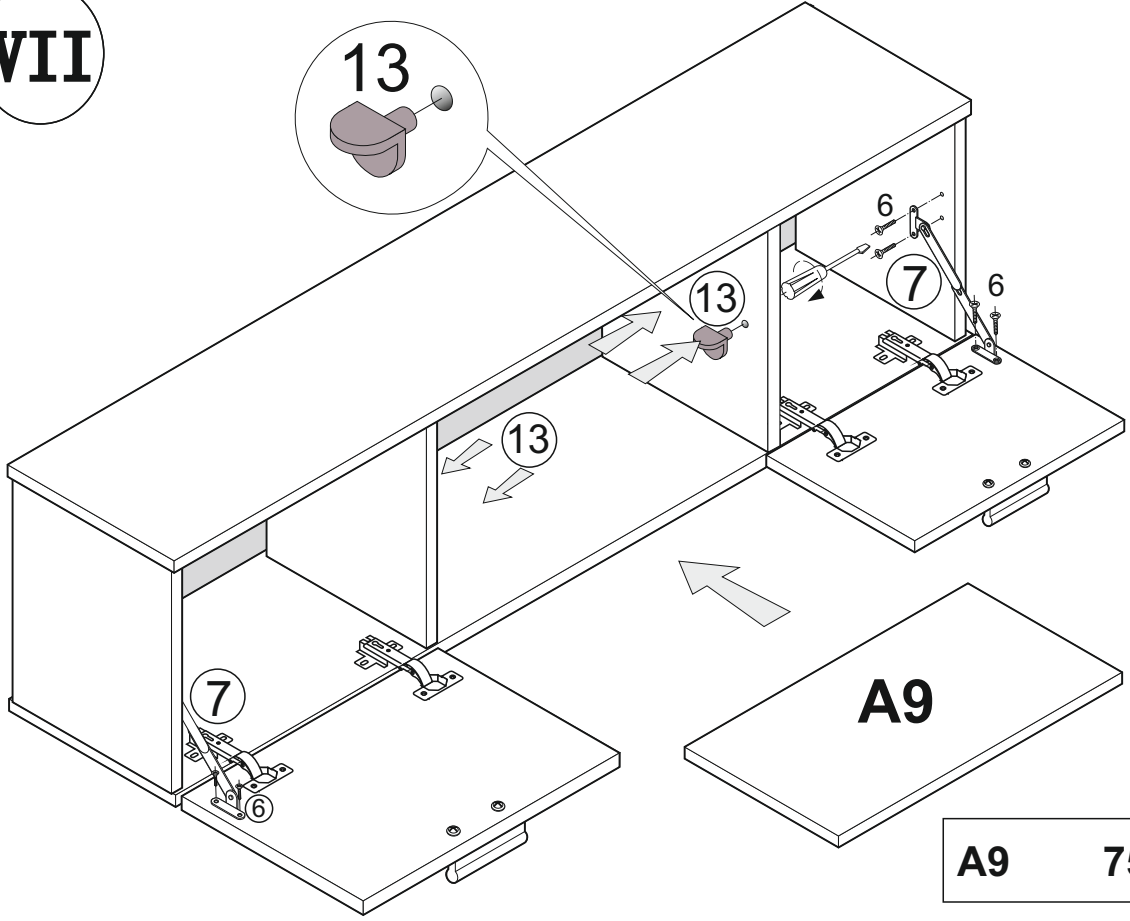


VI

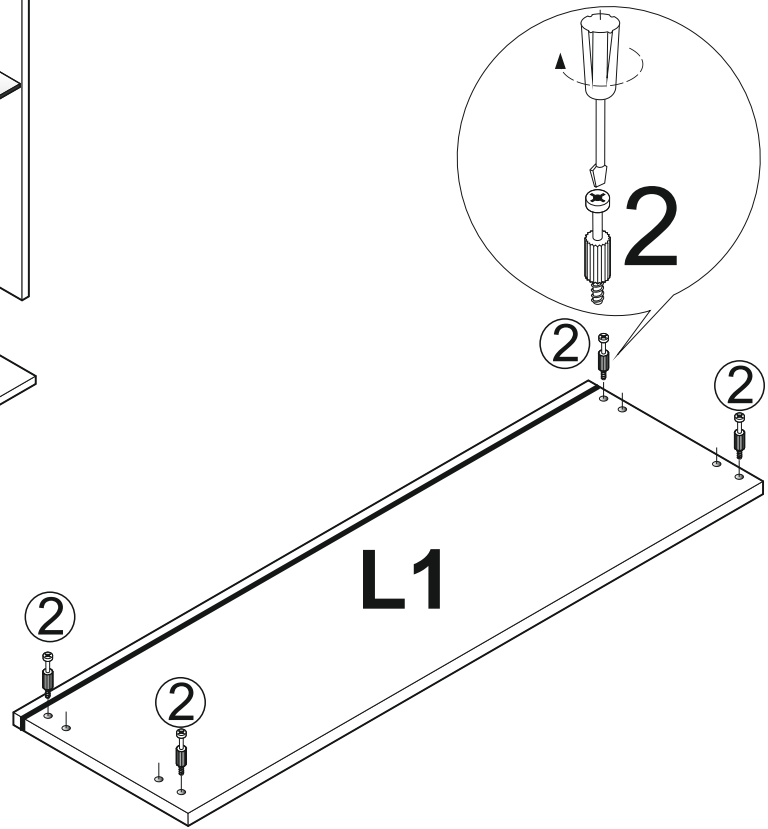
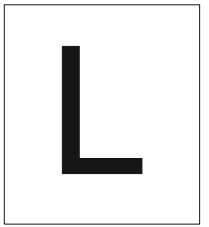
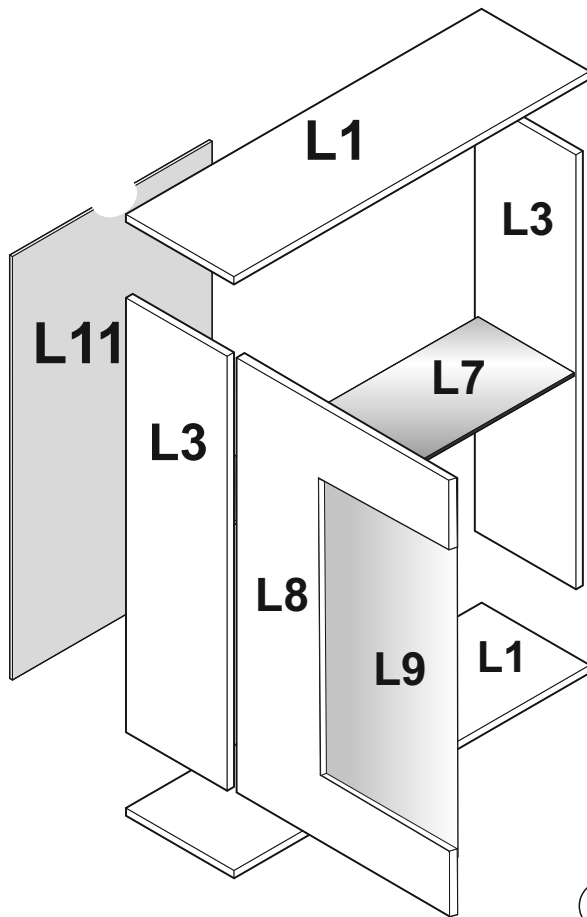
A



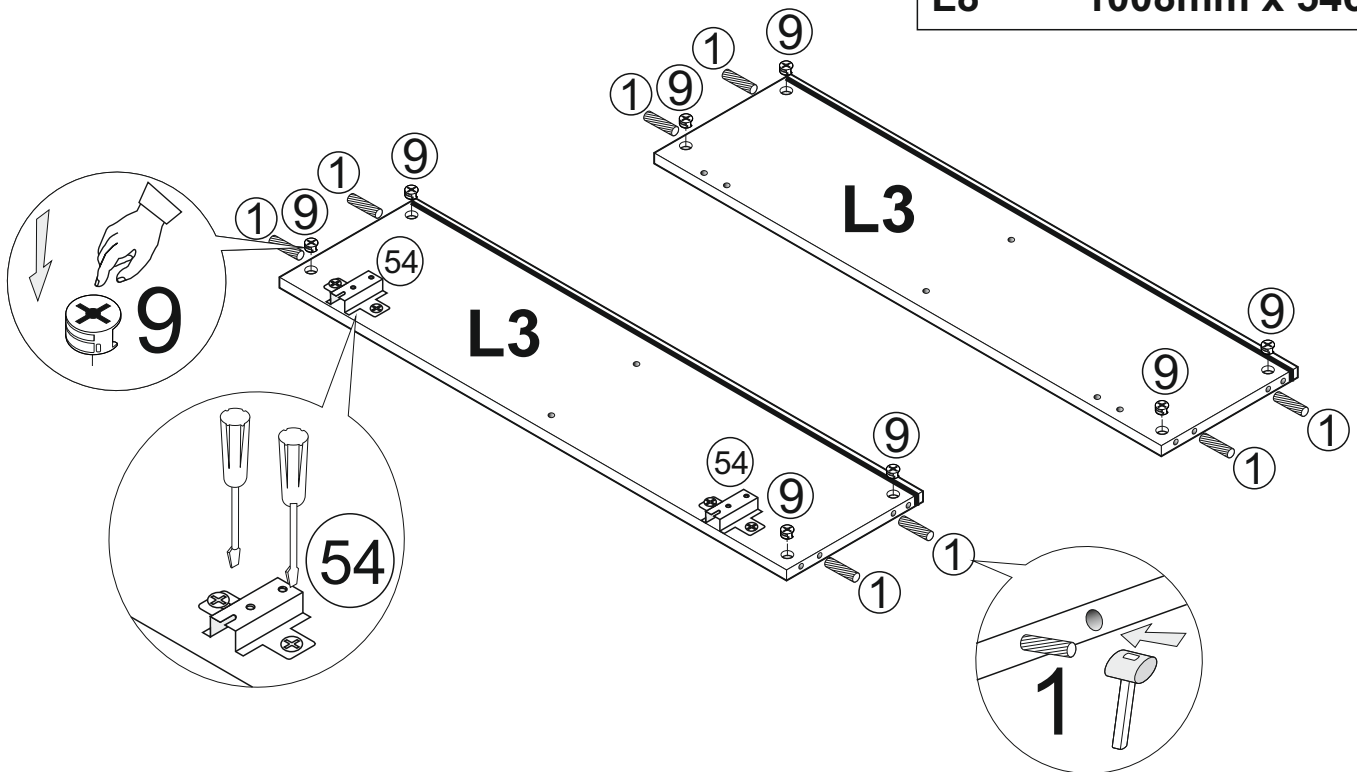
VII



I

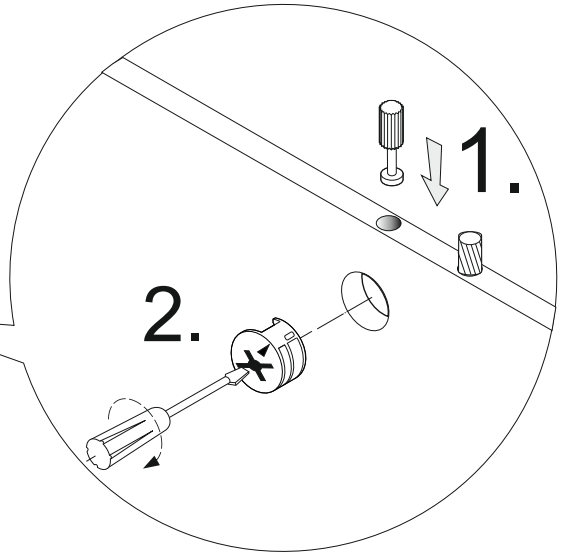
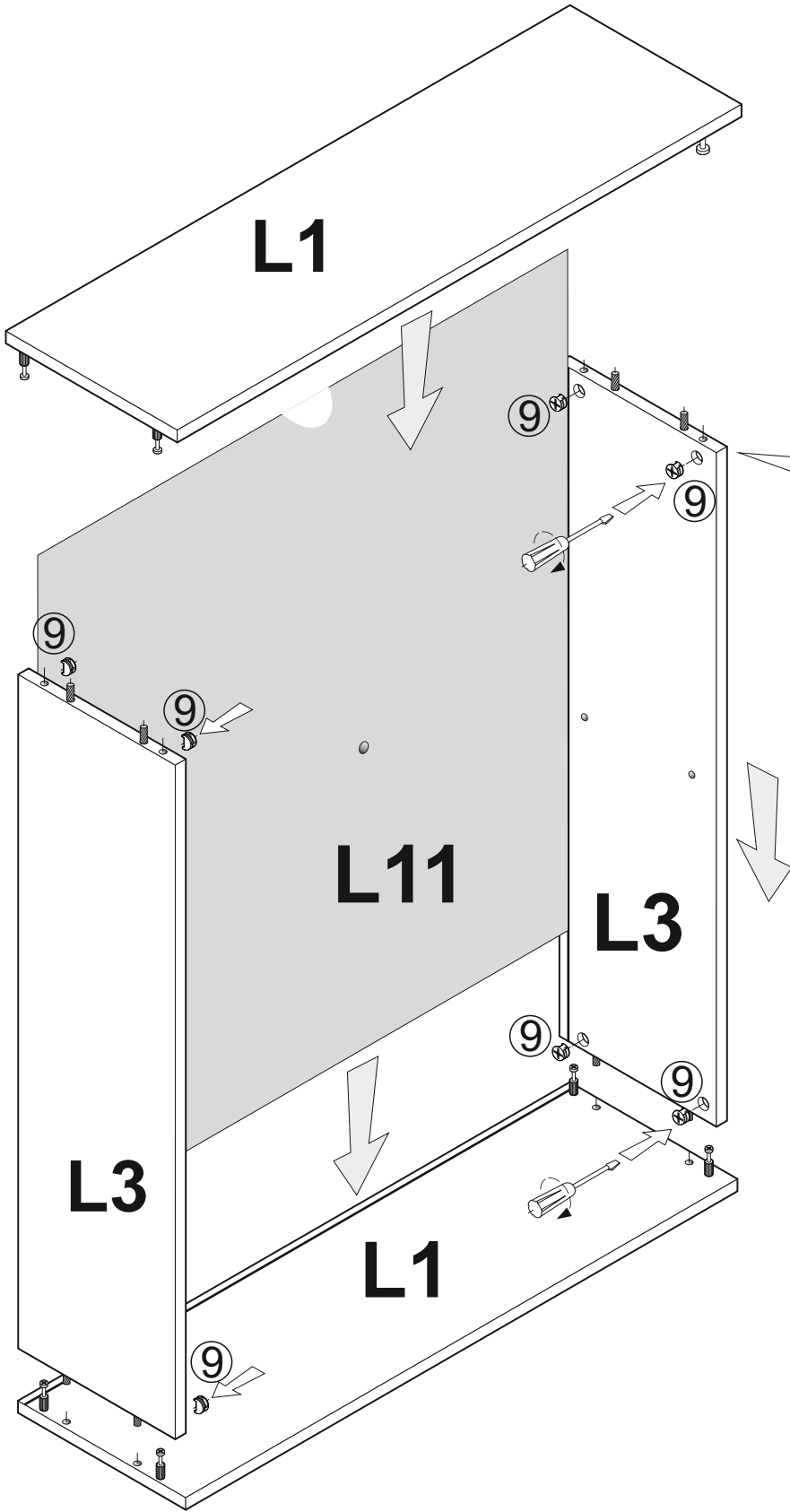


L1	551mm x 314mm
L3	980mm x 314mm
L11	990mm x 528mm
L8	1008mm x 546mm

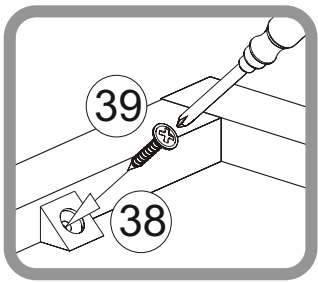
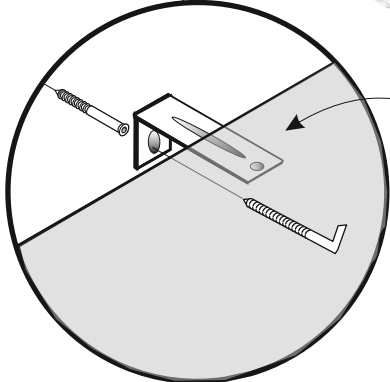
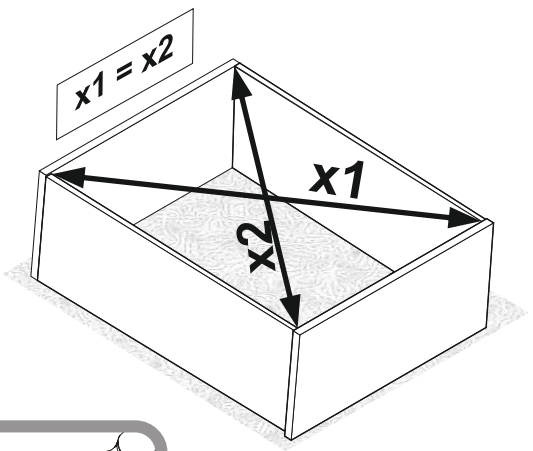
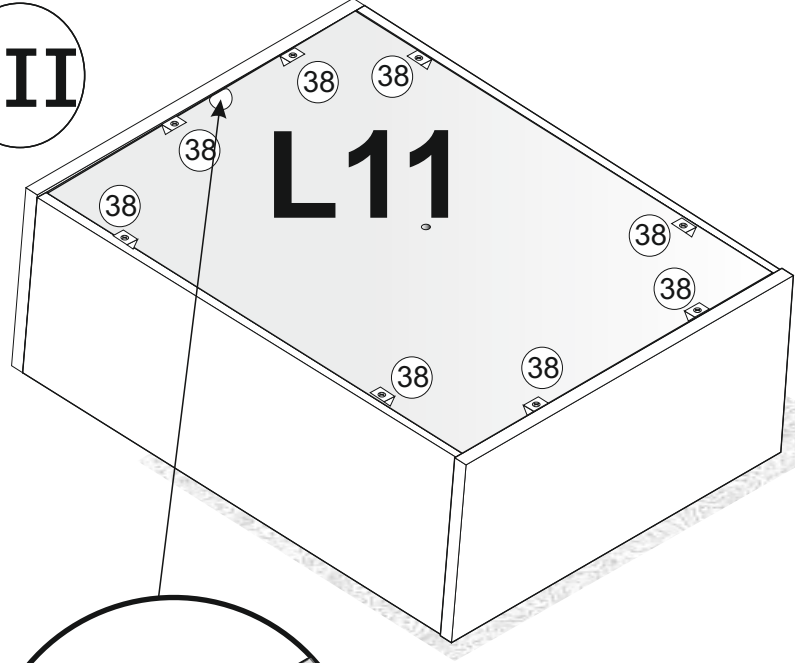
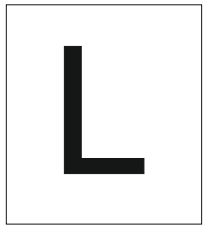


II

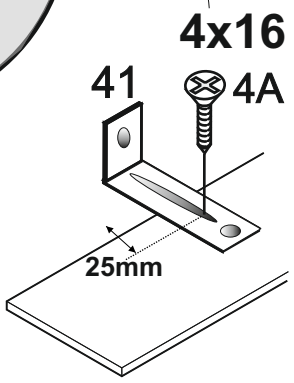
L



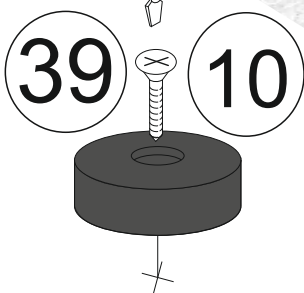
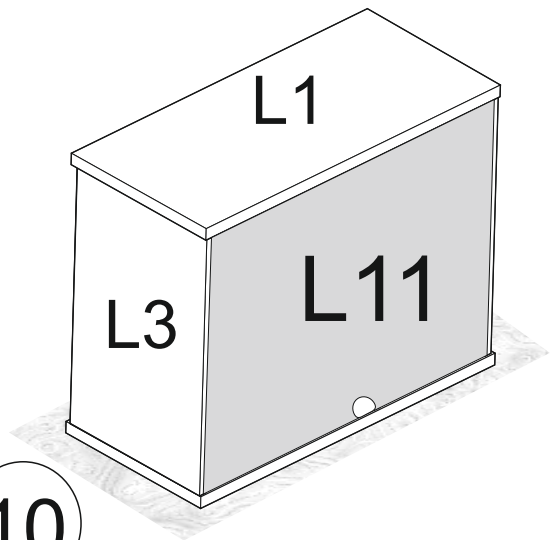
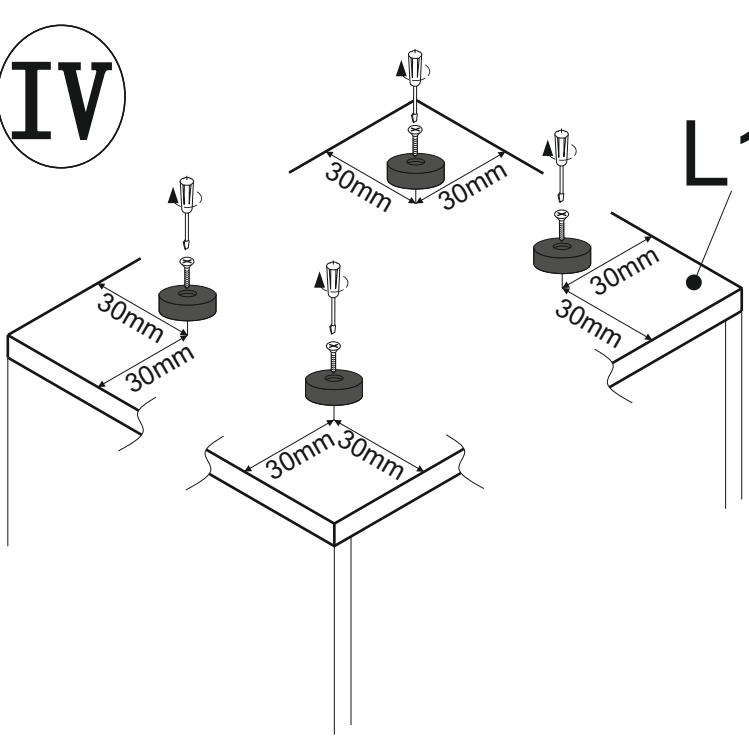
III



41		X 1
4A		X 1

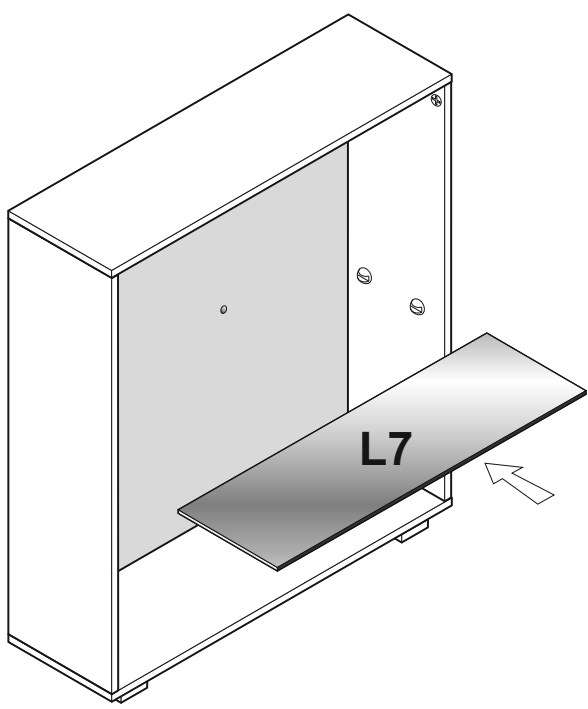
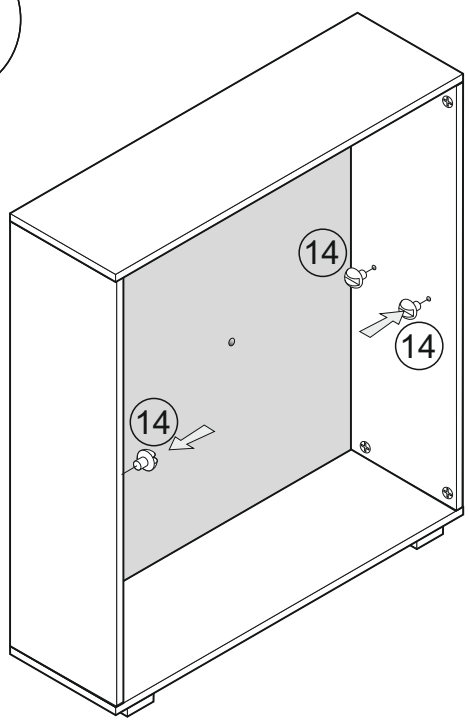


IV



V

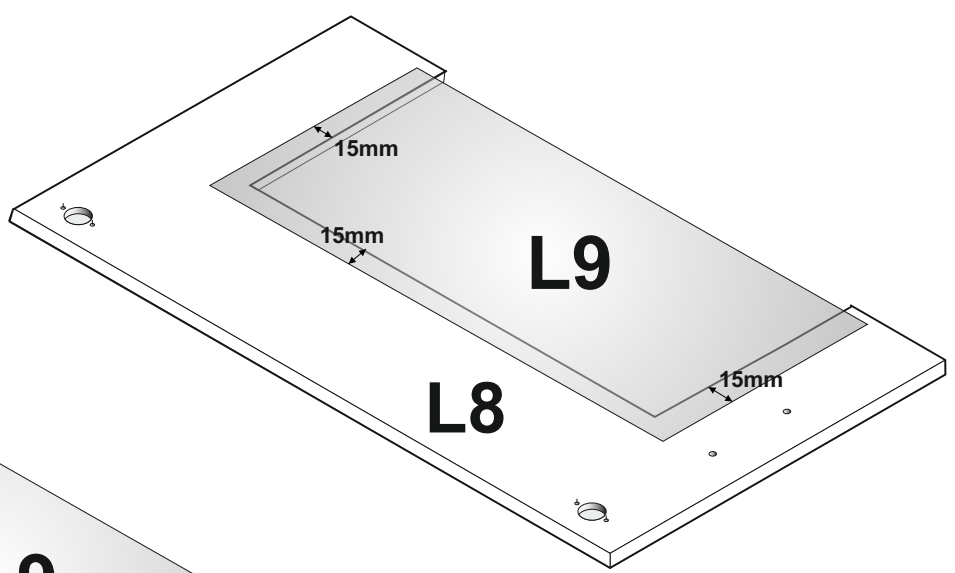
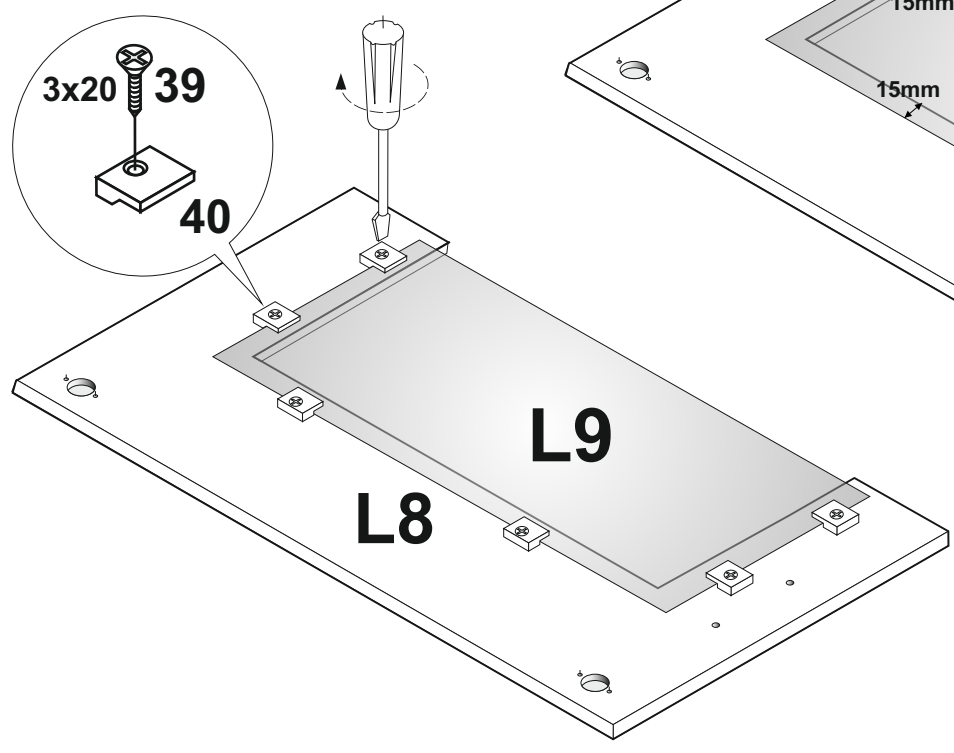
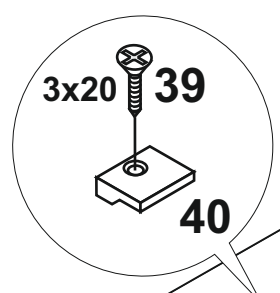
L

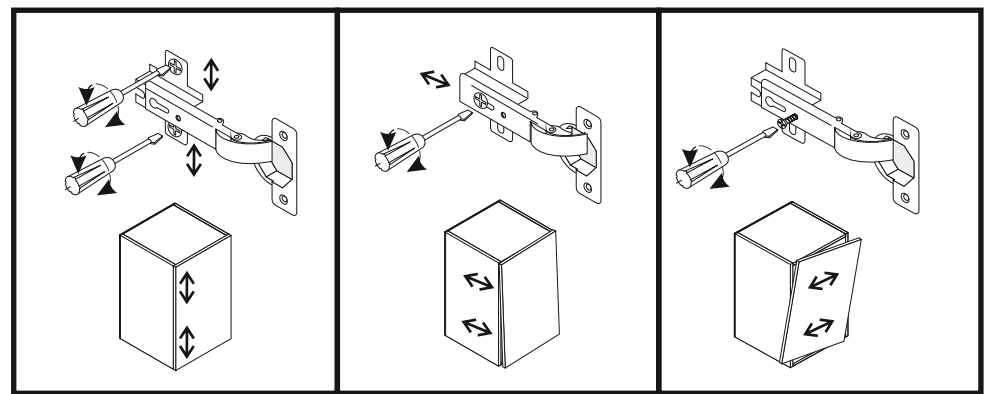
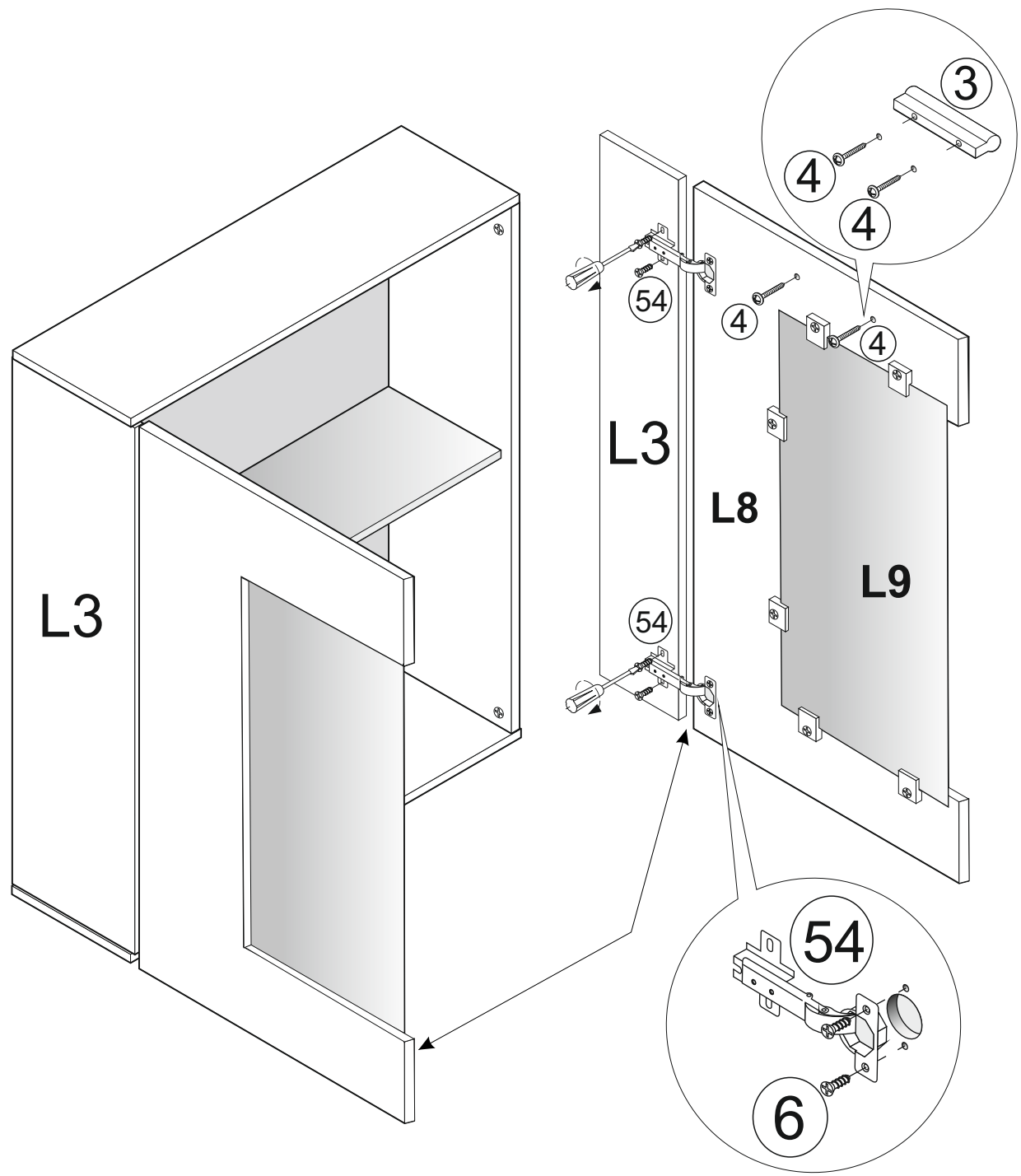


L7 510mm x 280mm

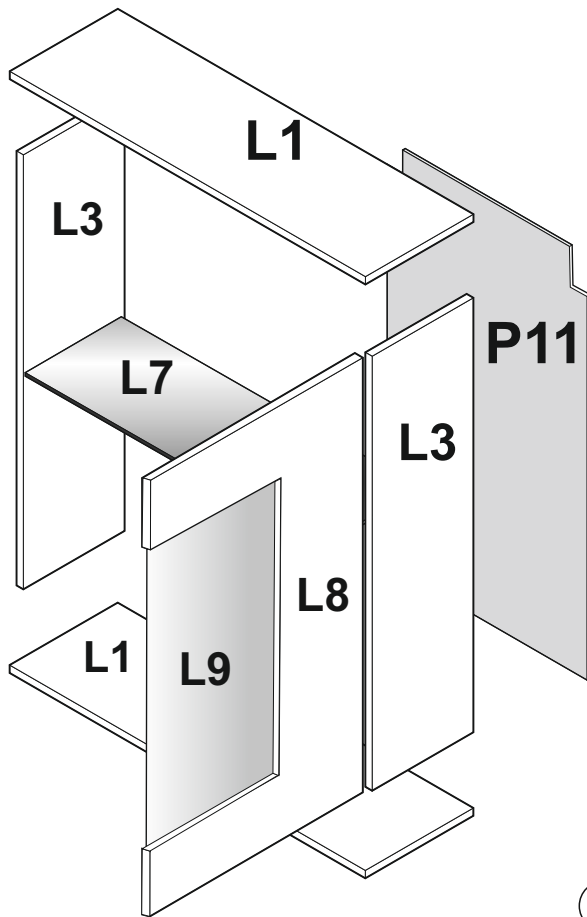
VI

L9 650mm x 338mm

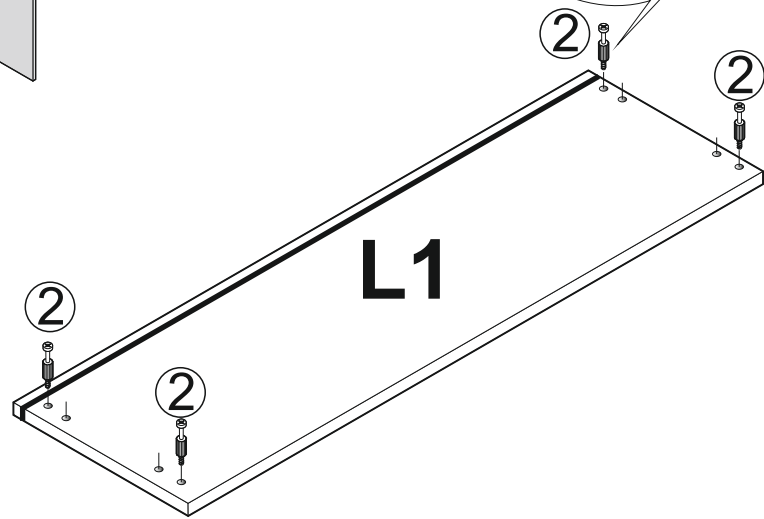
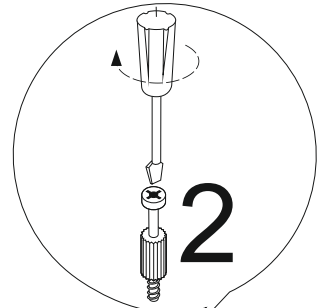




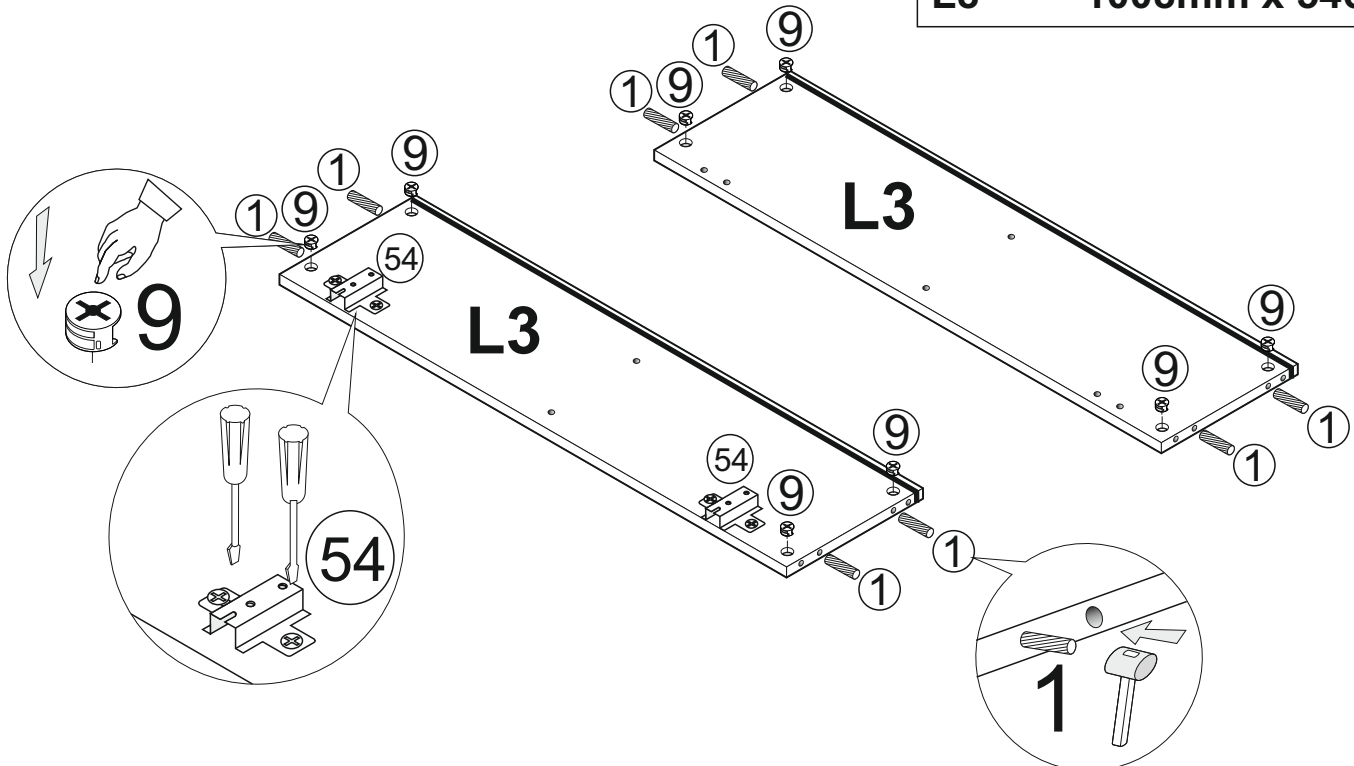
I



P

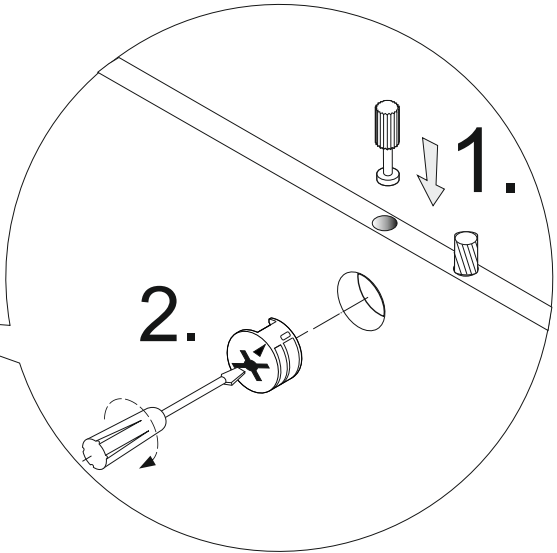
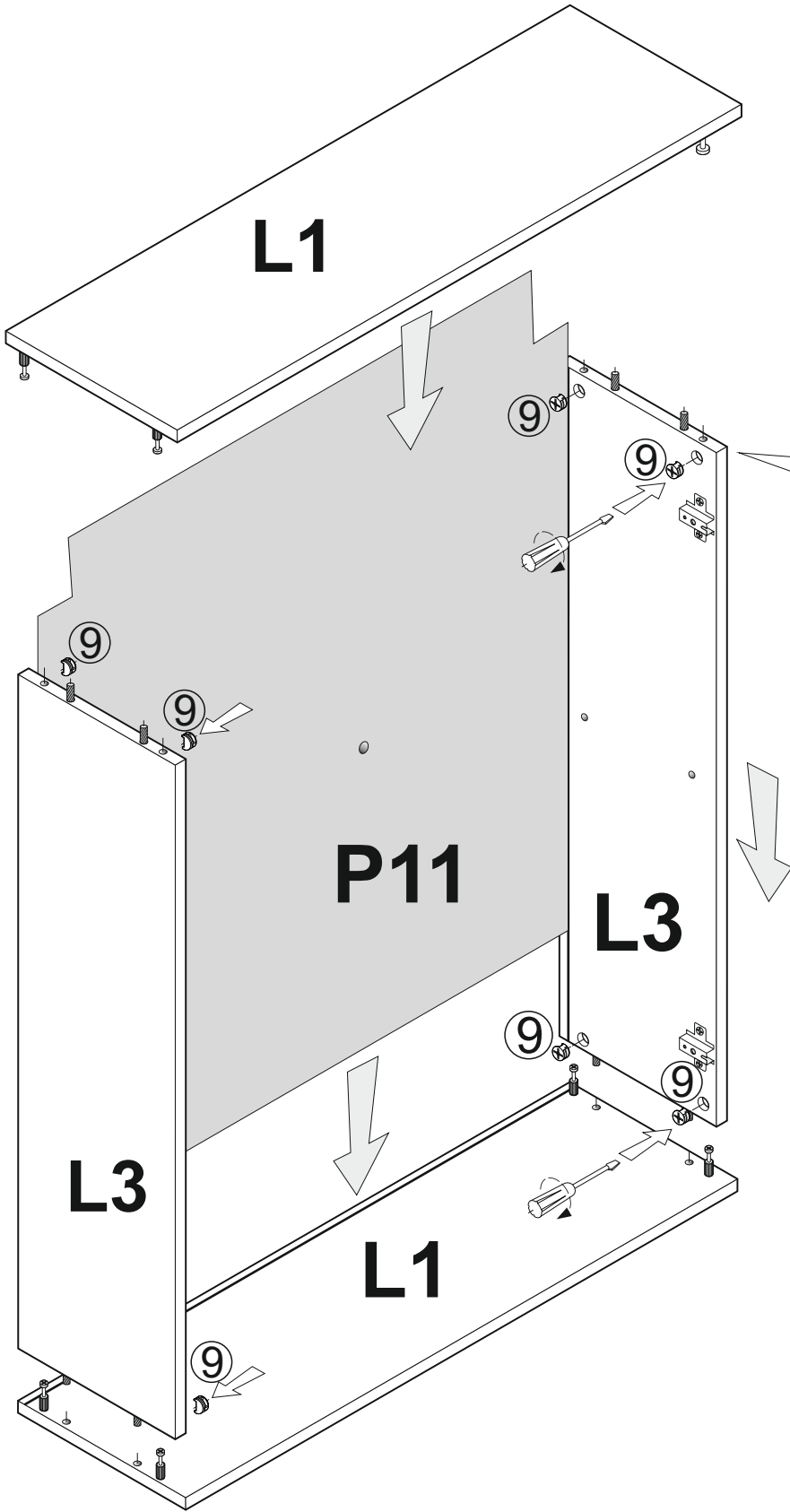


L1	551mm x 314mm
L3	980mm x 314mm
P11	990mm x 528mm
L8	1008mm x 546mm



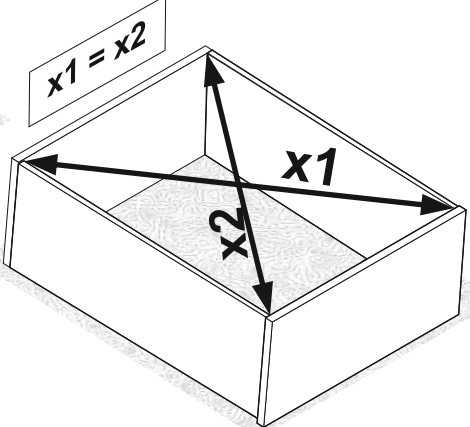
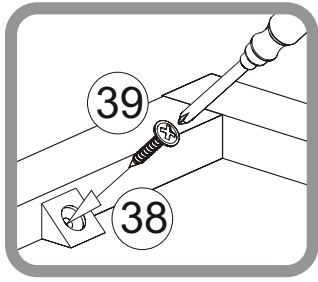
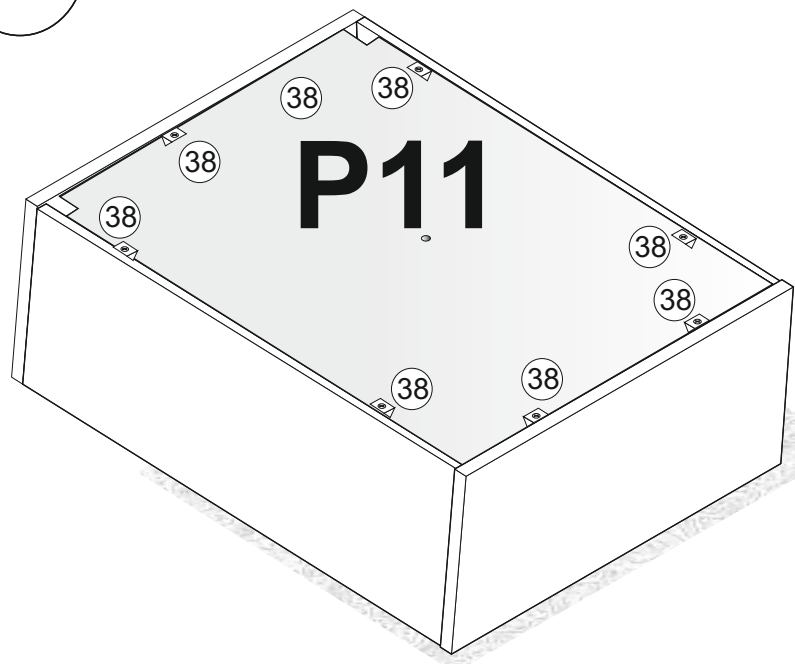
II

P

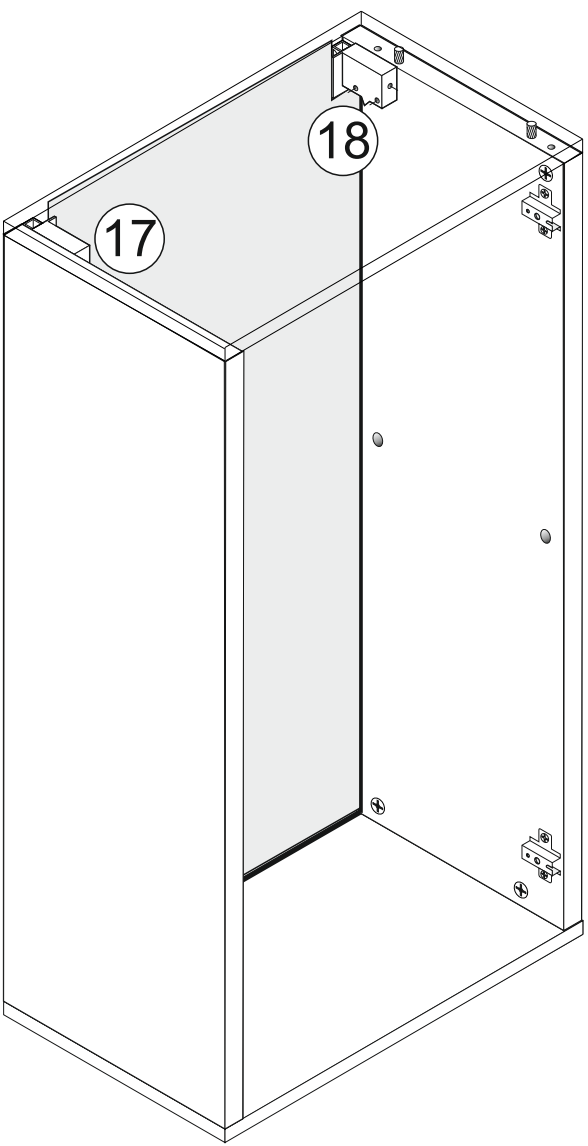
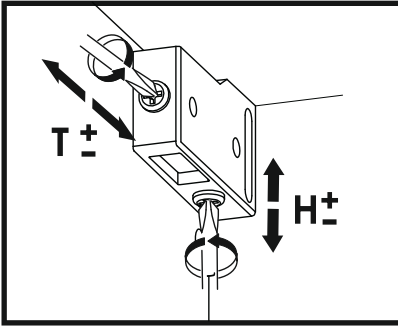
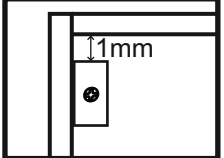
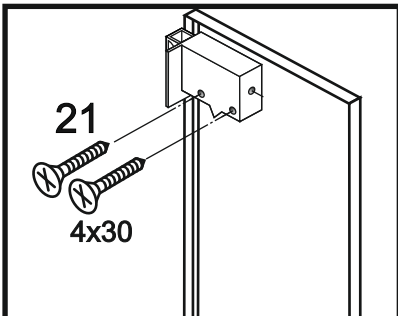


III

P

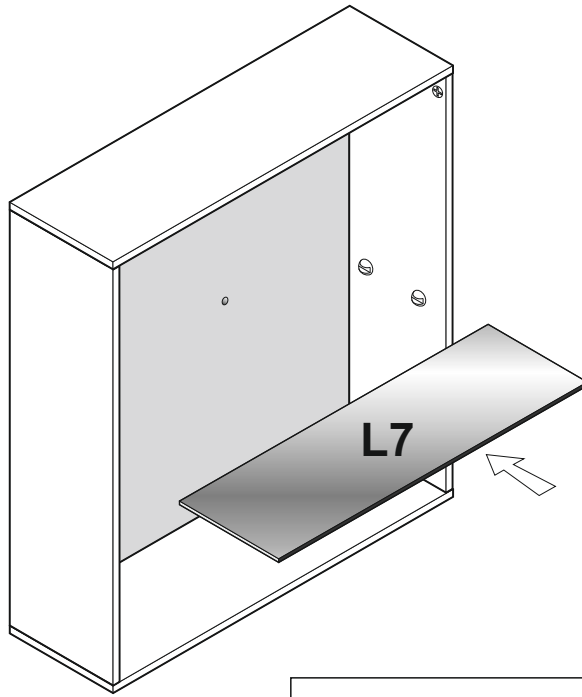
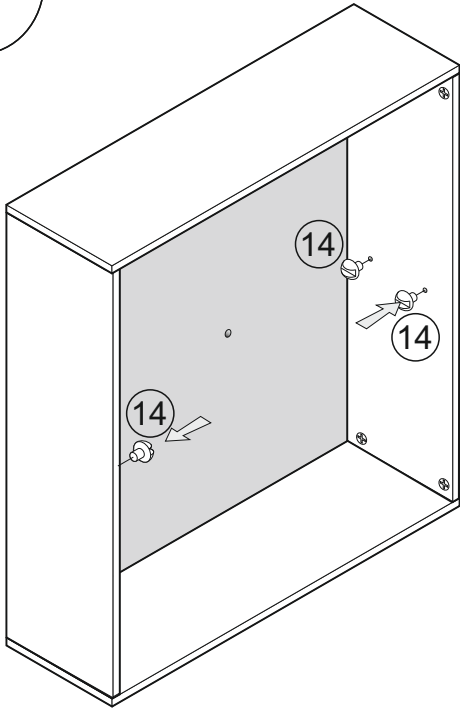


IV



V

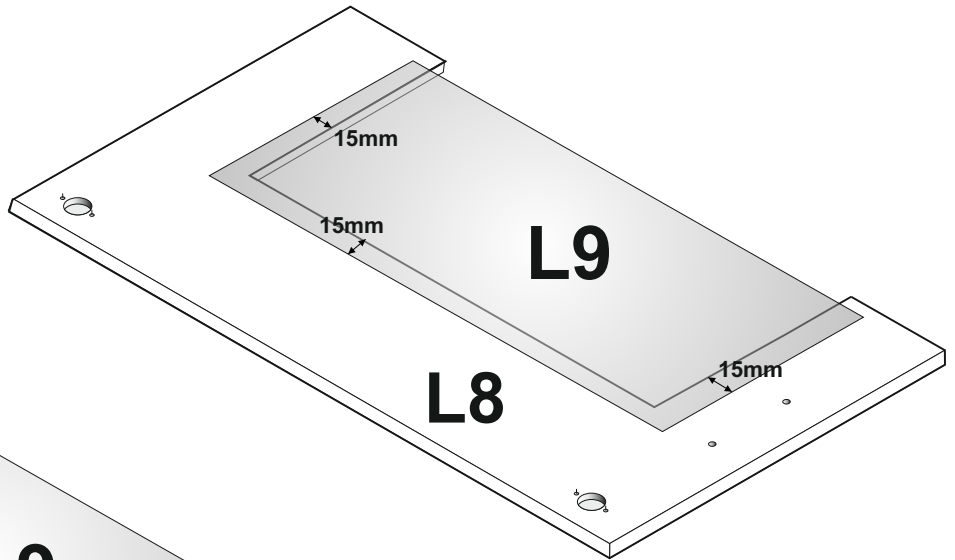
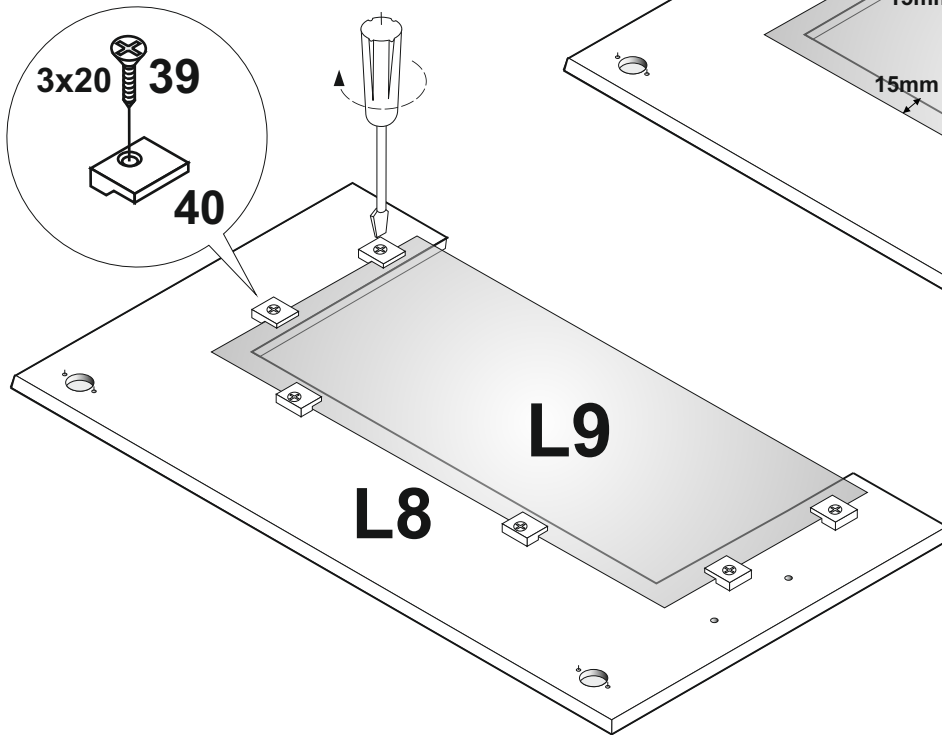
P



L7 510mm x 280mm

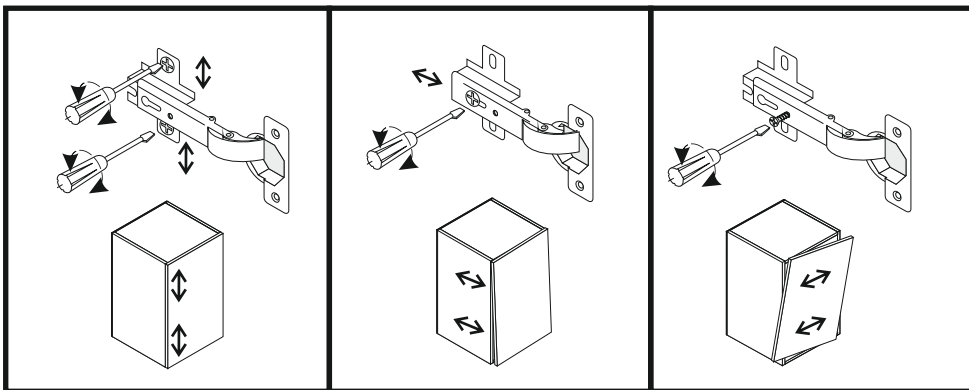
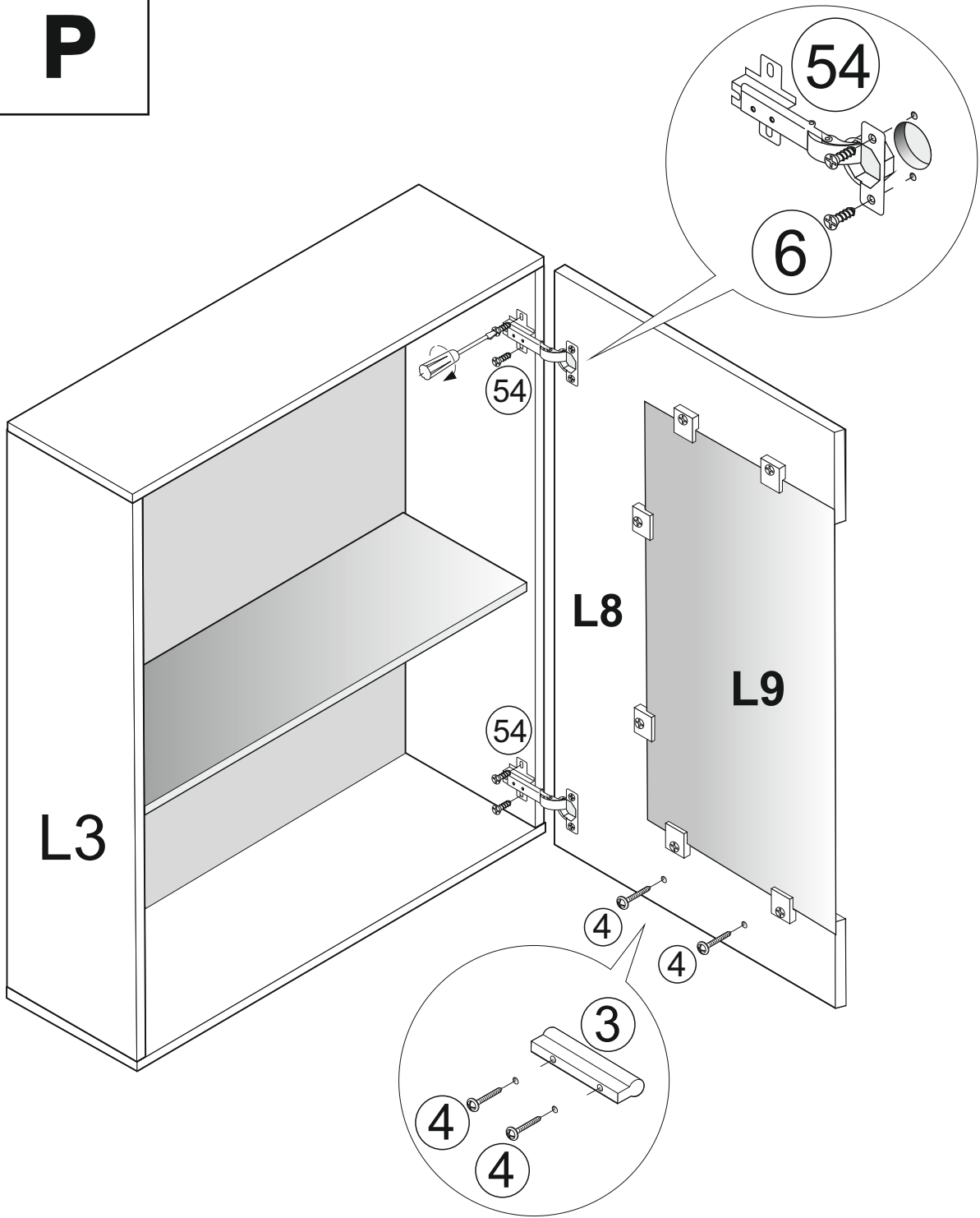
VI

L9 650mm x 338mm



VII

P



(N)
N1 1380mm x 195mm
N2 1378mm x 195mm

