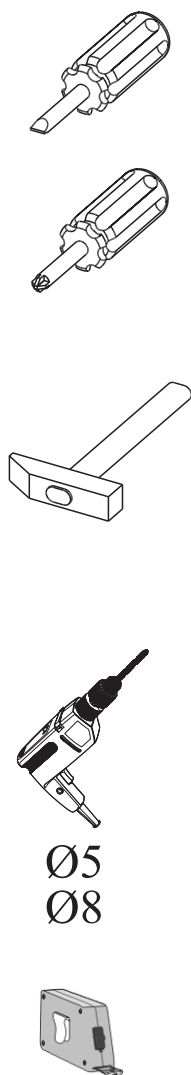
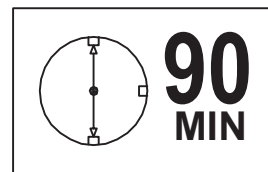
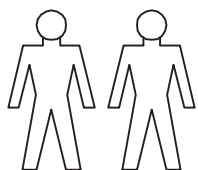


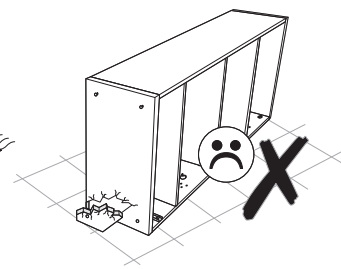
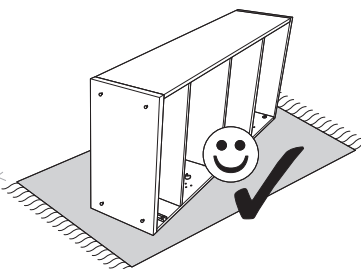
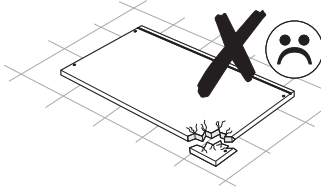
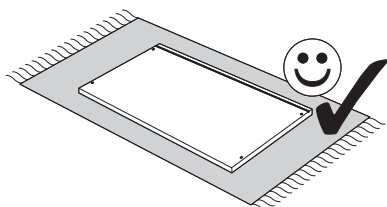
CAMRON - VITRINE 2T3L



2092 mm

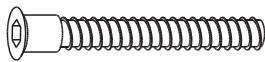






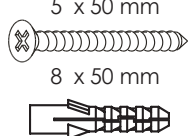

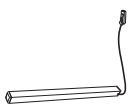

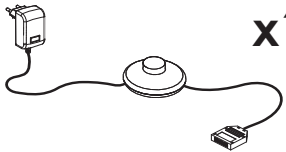

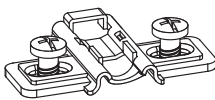
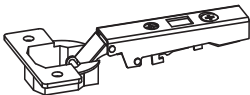
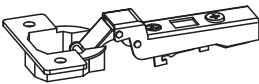
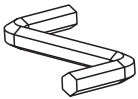


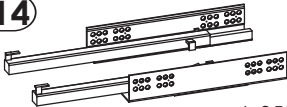
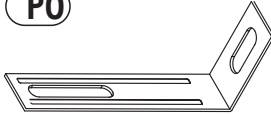


1102 mm

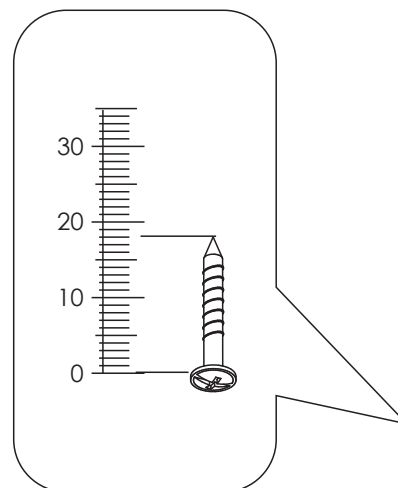
428 mm



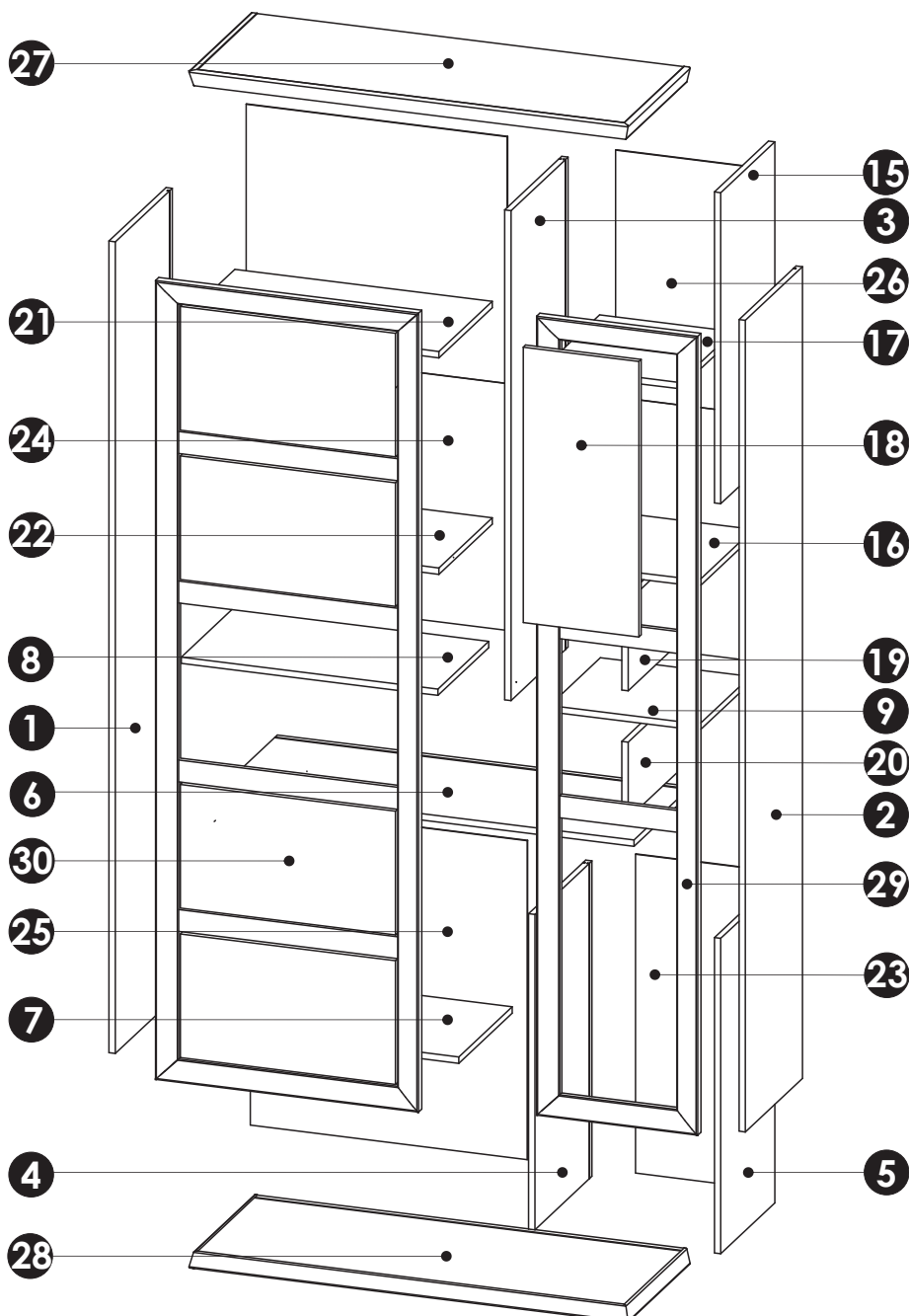
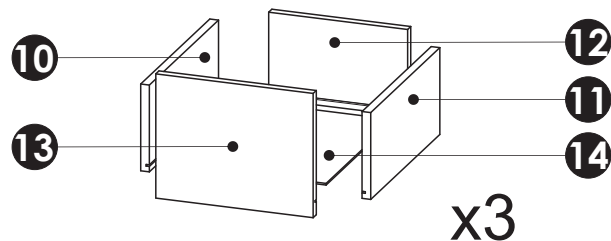
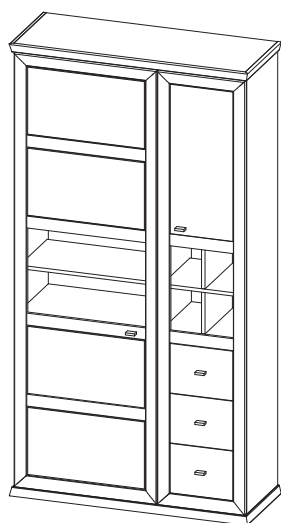
CAMRON - VITRINE 2T3L

MM

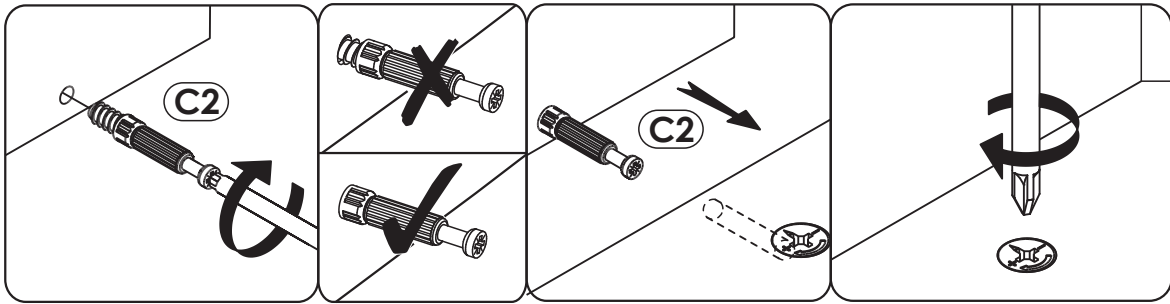
| | | |
|--|--|---|
| <p>B1 f 7 x 50 mm x18</p>  | <p>C0 x36</p>  | <p>C2 x50</p>  |
| <p>D0 3 x 15 mm x61</p>  | <p>D10 4 x 16 mm x12</p>  | <p>D21 5 x 13 mm x2</p>  |
| <p>D31 6,3 x 13 mm x24</p>  | <p>E0 5 x 50 mm x2 8 x 50 mm</p>  | <p>G1 x1</p>  <p>L=638</p> |
| <p>G2 x1</p>  <p>L=374</p> | <p>G3 x5</p>  | <p>G5 x1</p>  |
| <p>H2 4 x 22 mm x10</p>  | <p>J3 x6</p>  | <p>J10 x4</p>  |
| <p>J18 x2</p>  | <p>K x1</p>  <p>4mm</p> | <p>L6 x5</p>  |
| <p>M1 x56</p>  | <p>N14 x3</p>  <p>L-350mm</p> | <p>P0 x2</p>  |
| <p>Q3 x16</p>  | <p>U2 x6</p>  | |



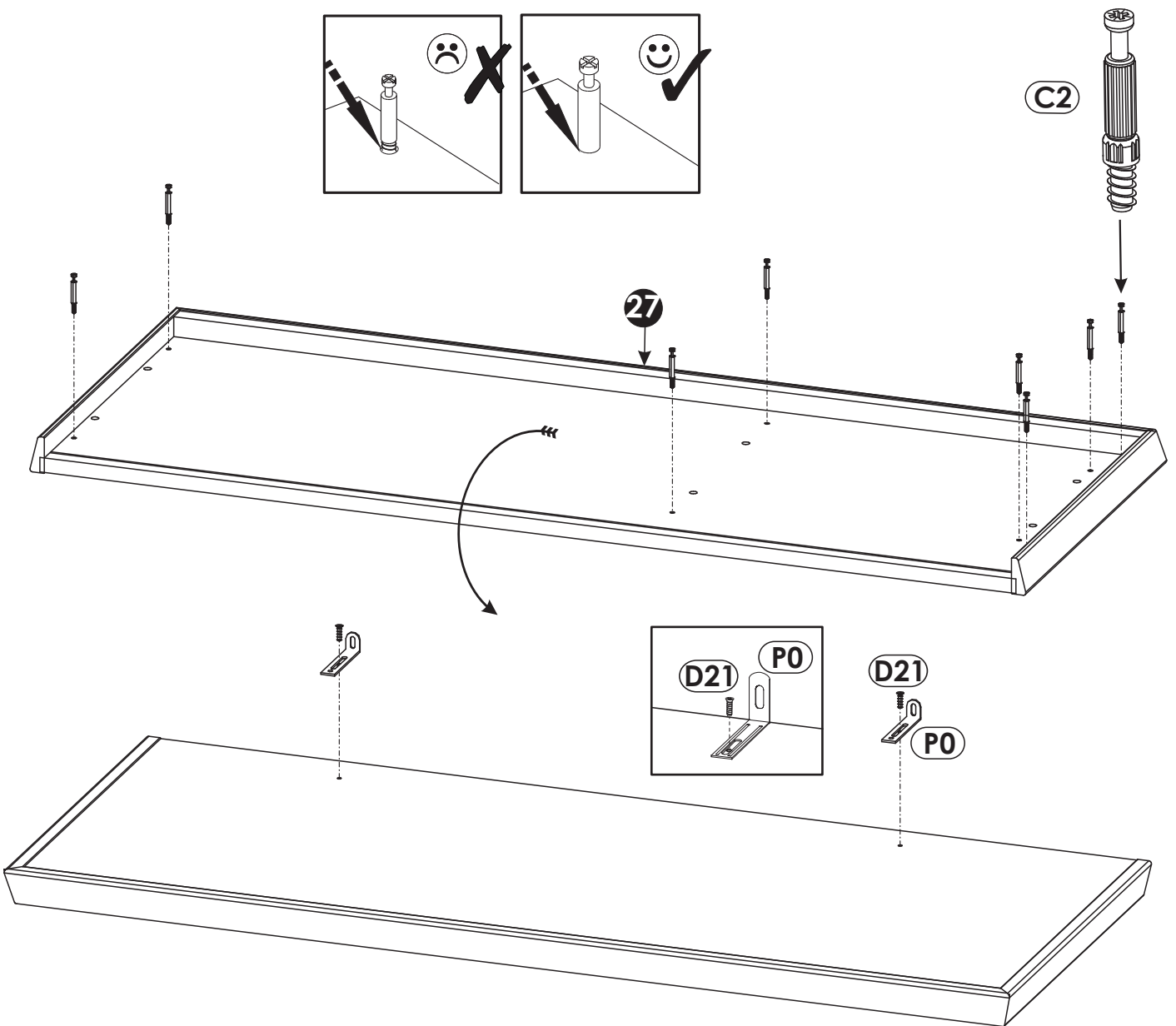
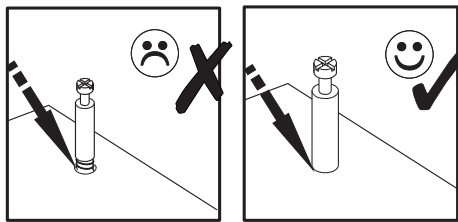
CAMRON - VITRINE 2T3L



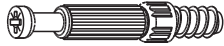

| | | | | |
|----|------|------|--------|-----|
| 1 | 2036 | 393 | 16 x1 | 1/5 |
| 2 | 2036 | 393 | 16 x1 | 1/5 |
| 3 | 1229 | 393 | 16 x1 | 2/5 |
| 4 | 791 | 393 | 16 x1 | 2/5 |
| 5 | 791 | 373 | 16 x1 | 2/5 |
| 6 | 1038 | 393 | 16 x1 | 2/5 |
| 7 | 686 | 373 | 16 x1 | 2/5 |
| 8 | 646 | 350 | 16 x1 | 2/5 |
| 9 | 376 | 350 | 16 x1 | 2/5 |
| 10 | 350 | 160 | 16 x3 | 1/5 |
| 11 | 350 | 160 | 16 x3 | 1/5 |
| 12 | 256 | 157 | 16 x3 | 2/5 |
| 13 | 290 | 229 | 16 x3 | 1/5 |
| 14 | 344 | 266 | 2.8 x3 | 1/5 |
| 15 | 780 | 373 | 16 x1 | 1/5 |
| 16 | 376 | 373 | 16 x1 | 1/5 |
| 17 | 336 | 373 | 16 x1 | 1/5 |
| 18 | 290 | 691 | 16 x1 | 1/5 |
| 19 | 225 | 348 | 16 x1 | 2/5 |
| 20 | 192 | 348 | 16 x1 | 2/5 |
| 21 | 646 | 373 | 16 x1 | 2/5 |
| 22 | 646 | 373 | 16 x1 | 2/5 |
| 23 | 345 | 800 | 2.8 x1 | 1/5 |
| 24 | 655 | 1238 | 2.8 x1 | 4/5 |
| 25 | 695 | 800 | 2.8 x1 | 4/5 |
| 26 | 385 | 1238 | 2.8 x1 | 5/5 |
| 27 | 1102 | 428 | 40 x1 | 3/5 |
| 28 | 1102 | 428 | 40 x1 | 3/5 |
| 29 | 2004 | 404 | 25 x1 | 5/5 |
| 30 | 2004 | 660 | 25 x1 | 4/5 |
| | | | | 2/5 |

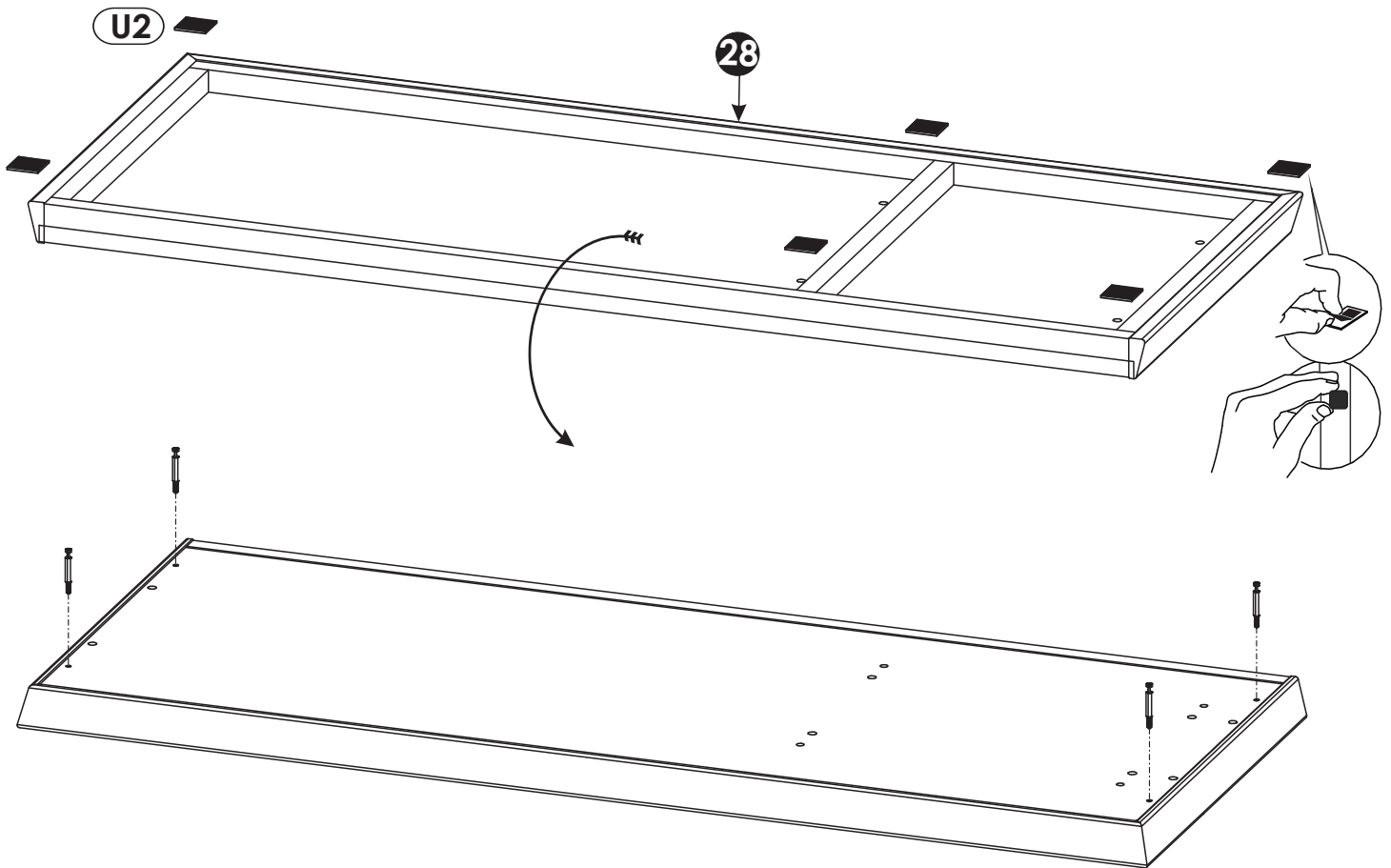


| | | |
|---|---|---|
| C2  x8 | D21 5 x 13 mm  x2 | P0  x2 |
|---|---|---|


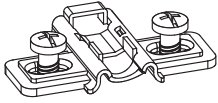



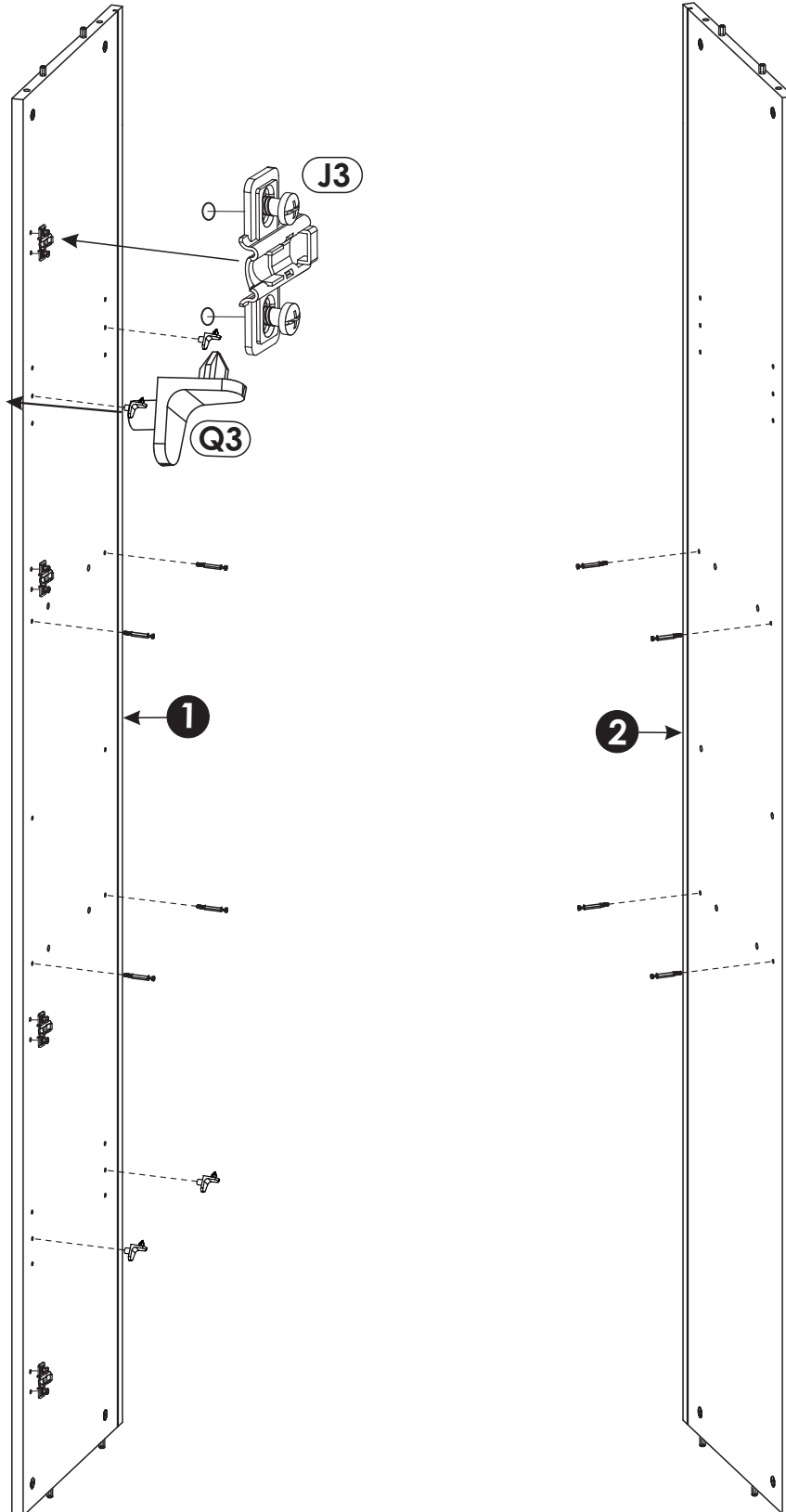
2 ▶

| | | | |
|---|-----------|---|-----------|
| C2 | x4 | U2 | x6 |
|  | |  | |





3▶


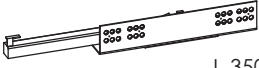
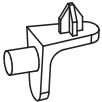
| | | |
|---|---|---|
| <p>C2</p>  <p>x8</p> | <p>J3</p>  <p>x4</p> | <p>Q3</p>  <p>x4</p> |
|---|---|---|

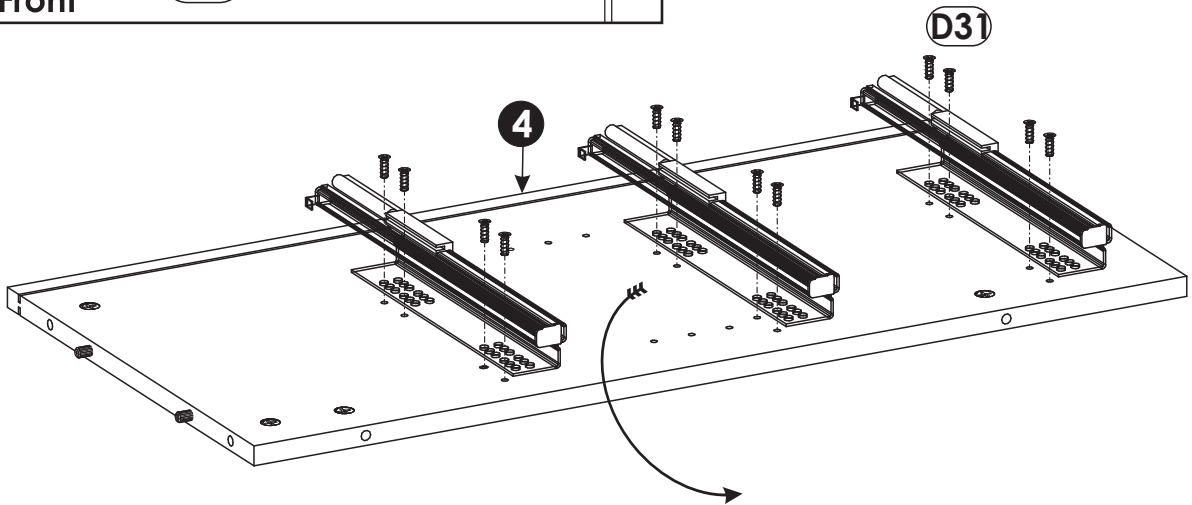
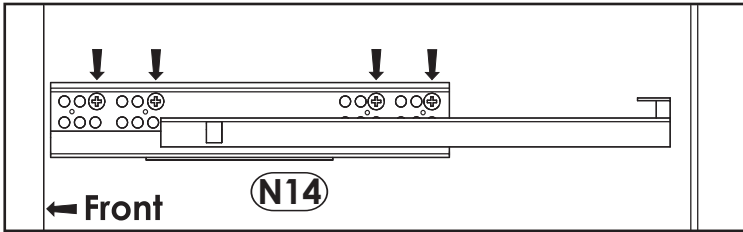
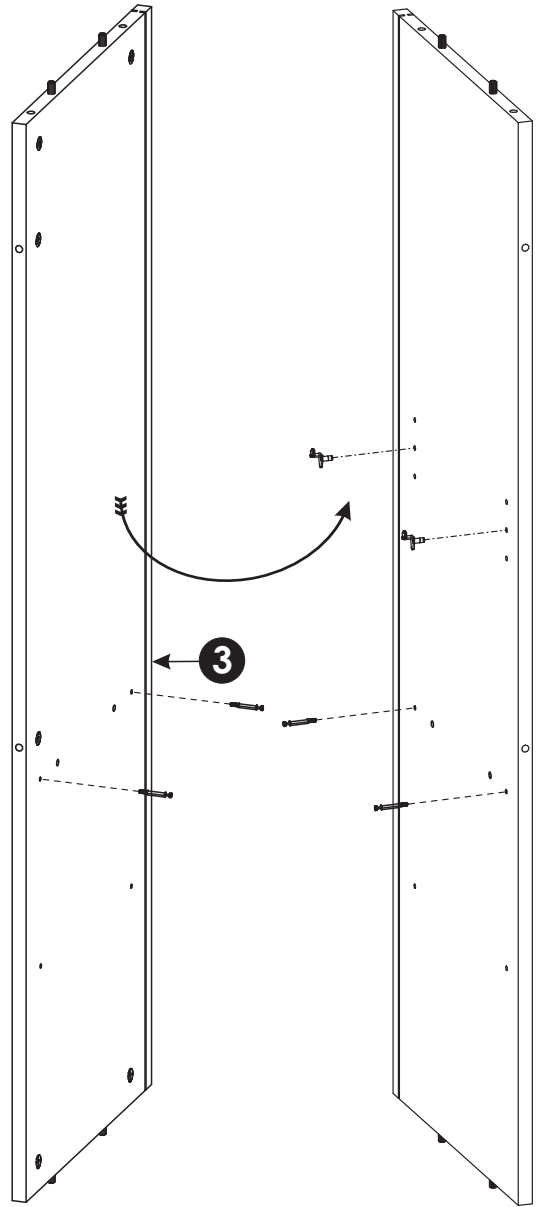


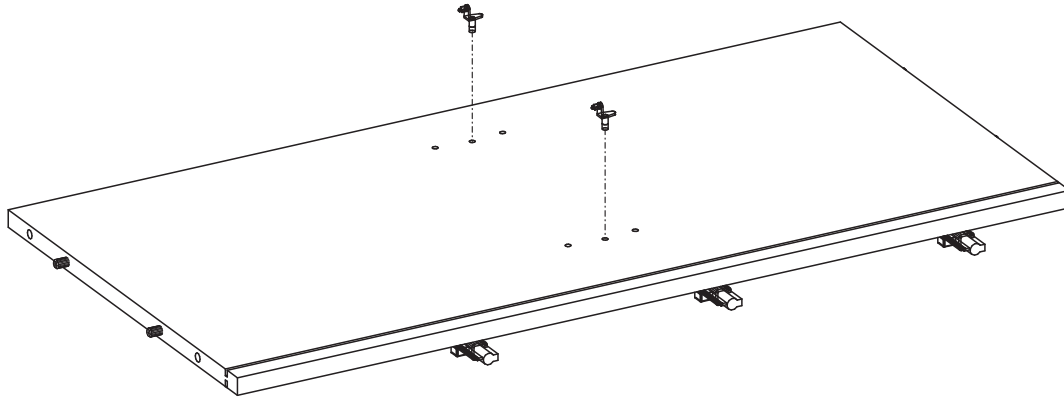
4 ▶

| | | |
|-----------|---|-----------|
| Q3 |  | x2 |
| C2 |  | x4 |


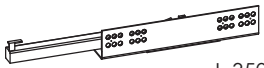
5 ▶

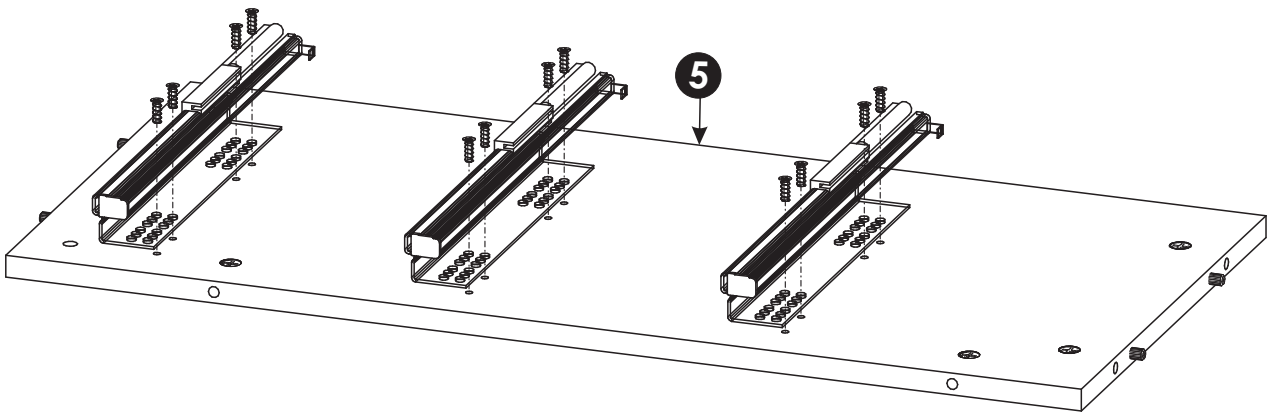
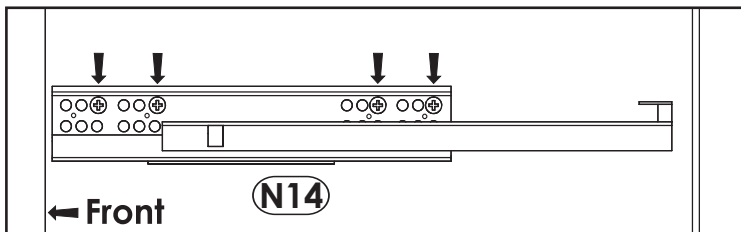
| | | |
|------------|---|------------|
| D31 | 6,3 x 13 mm | x12 |
| |  | |
| N14 |  | x3 |
| | L-350mm | |
| Q3 |  | x2 |



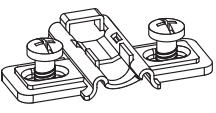
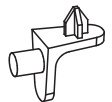


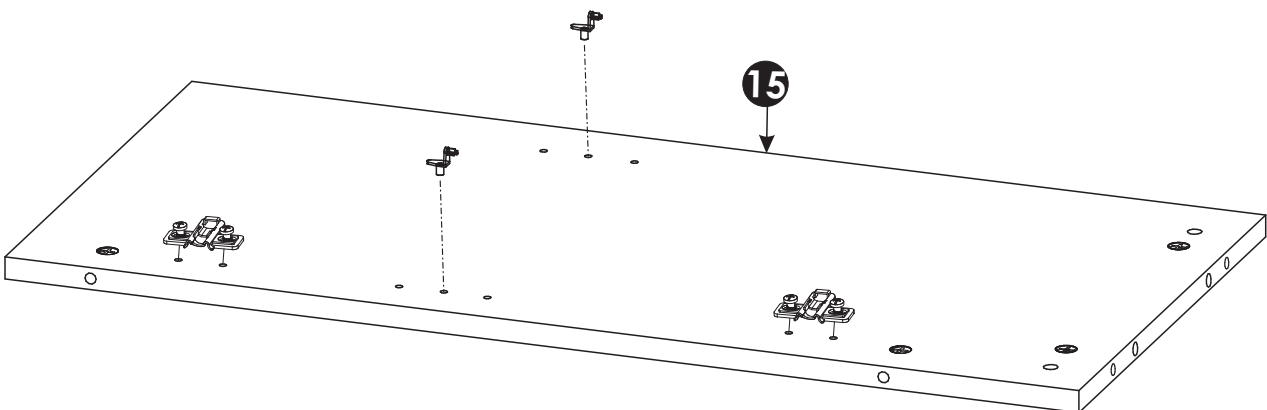
6 ▶

| | | | | |
|---|-------------|--|------------|-----------|
| D31 | 6.3 x 13 mm | x12 | N14 | x3 |
|  | |  | | |
| | | L-350mm | | |

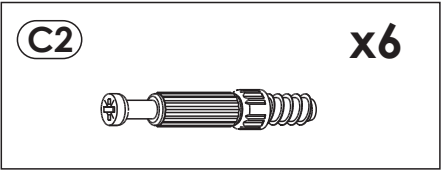
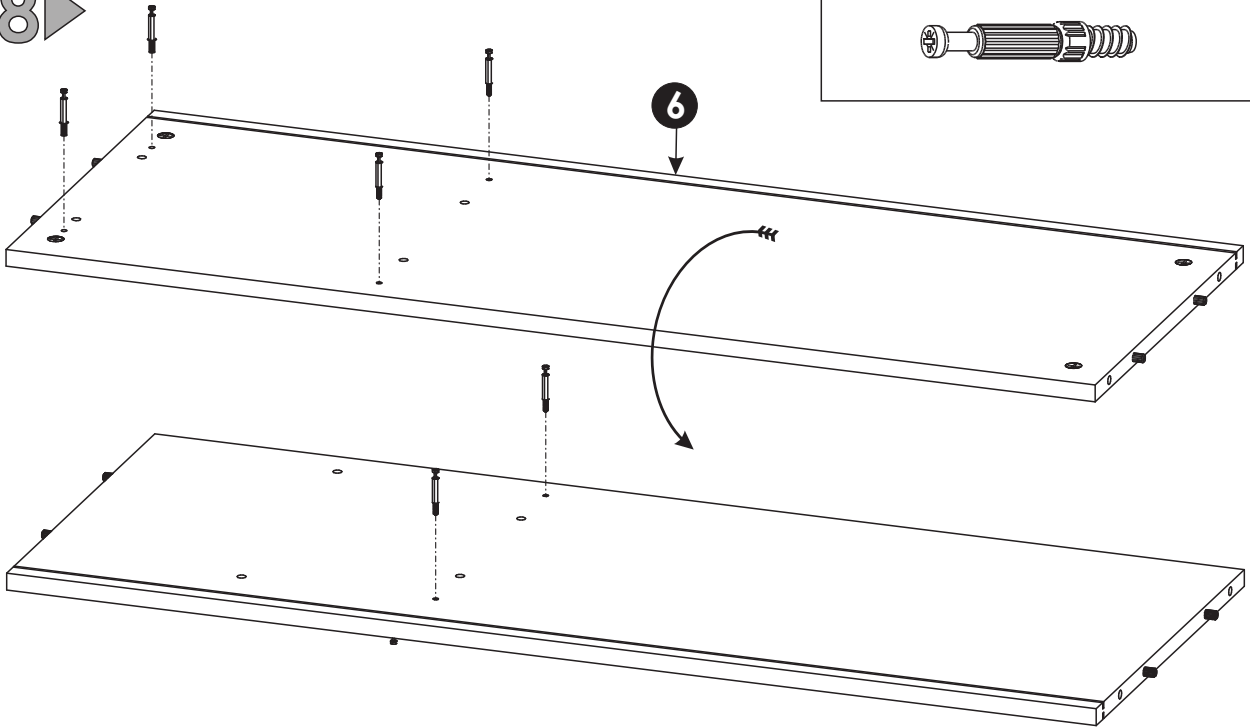


7 ▶

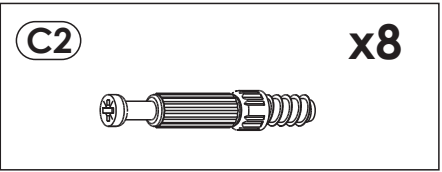
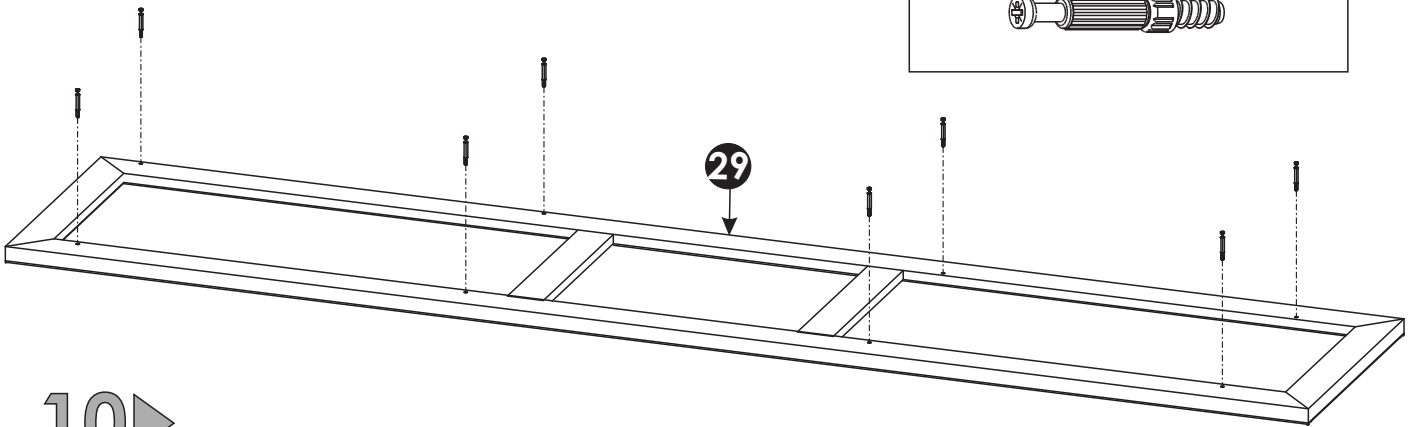
| | | | |
|---|-----------|--|-----------|
| J3 | x2 | Q3 | x2 |
|  | |  | |



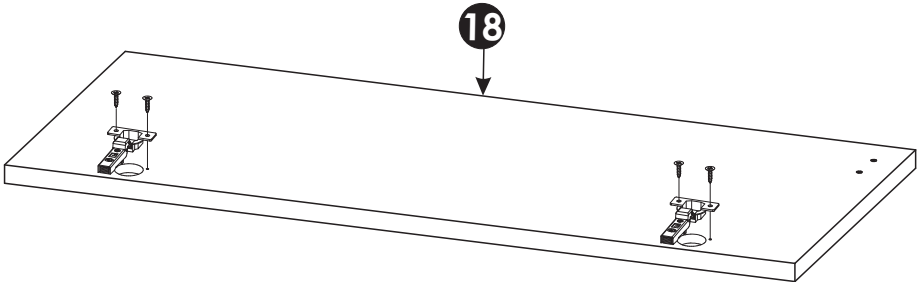
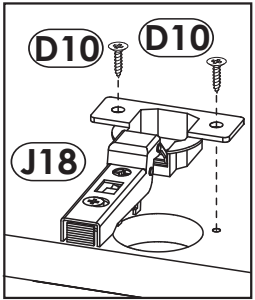
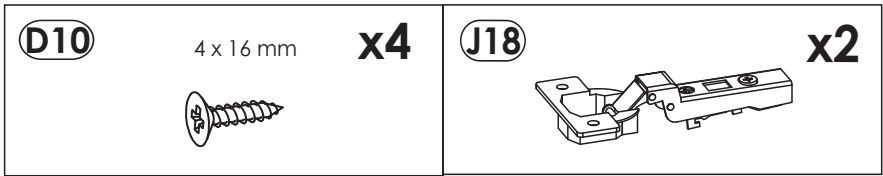
8 ▶



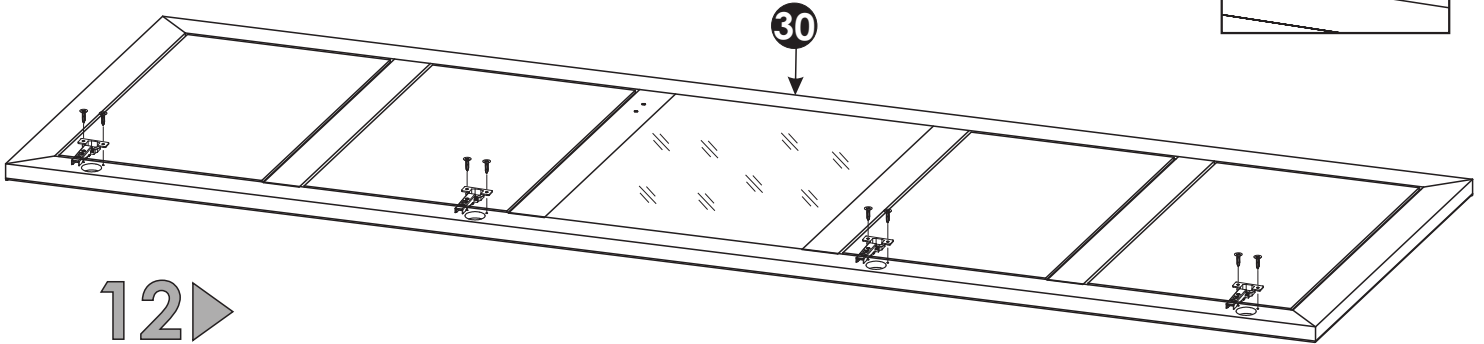
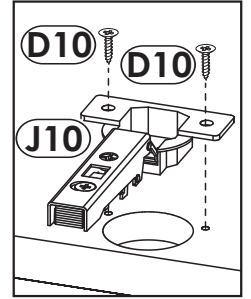
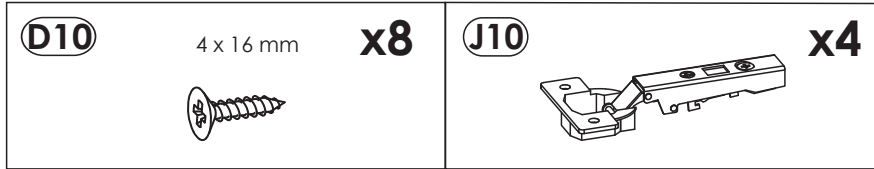
9 ▶



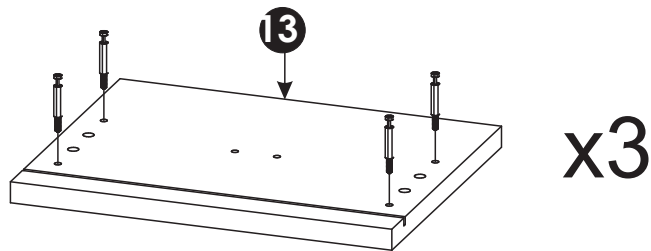
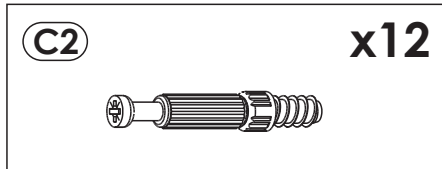
10 ▶



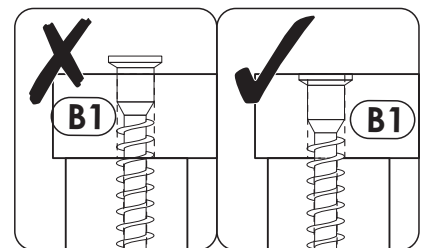
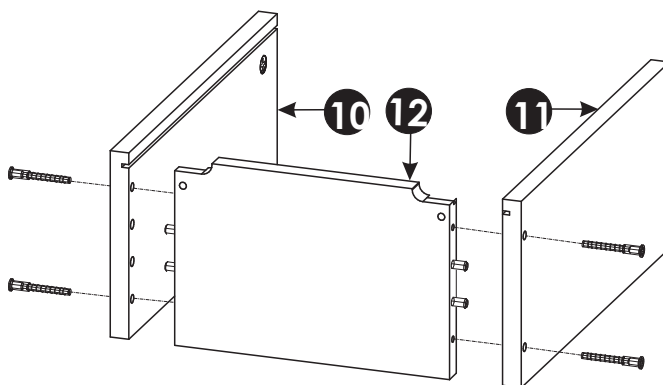
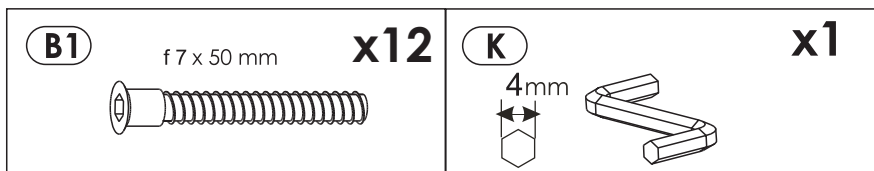
11 ▶



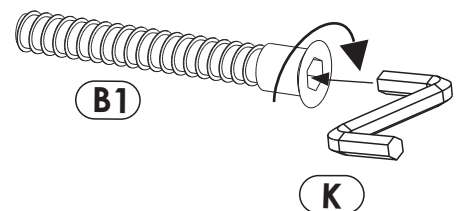
12 ▶



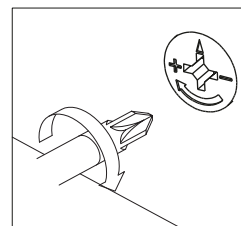
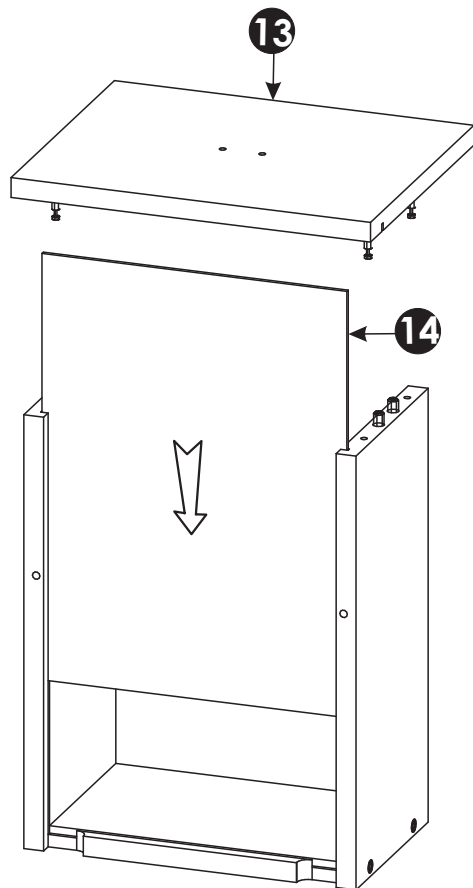
13 ▶



x3





14▶

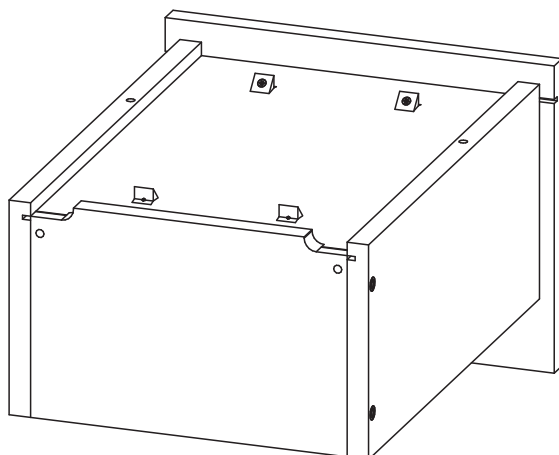
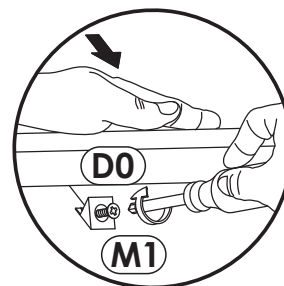
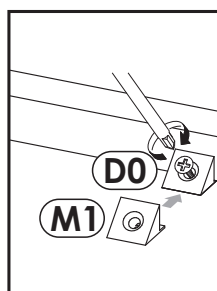
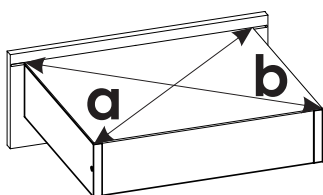


x3

15▶

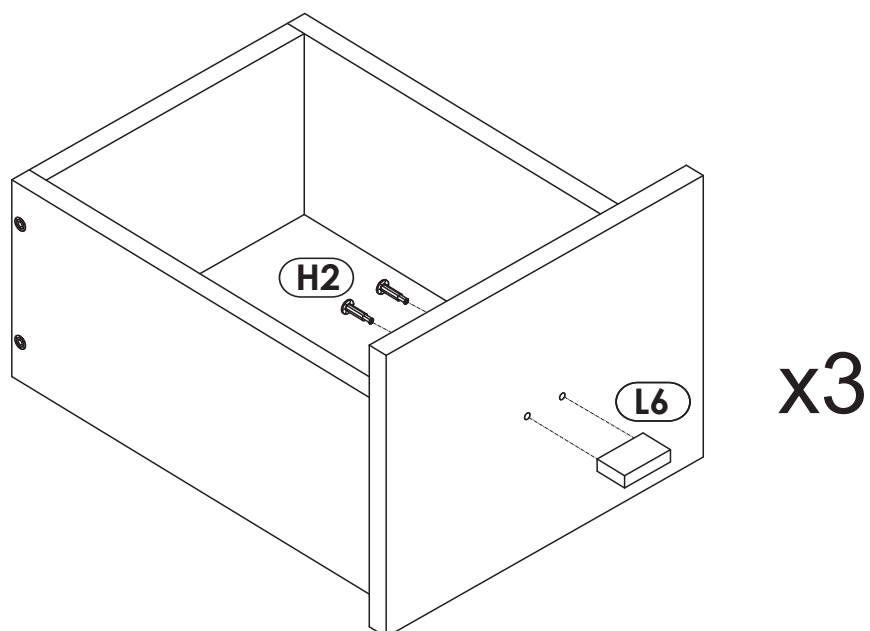
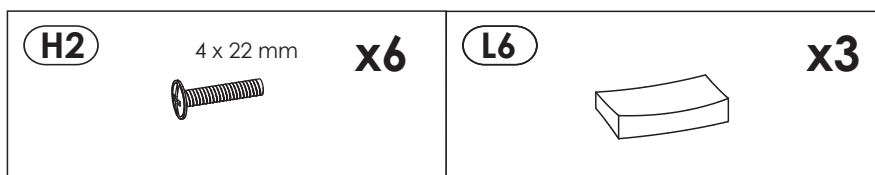
| | | | | | |
|-------------|---|------------|--|--|------------|
| (D0) | 3 x 15 mm | x12 | (M1) | | x12 |
| |  | |  | | |

a=b

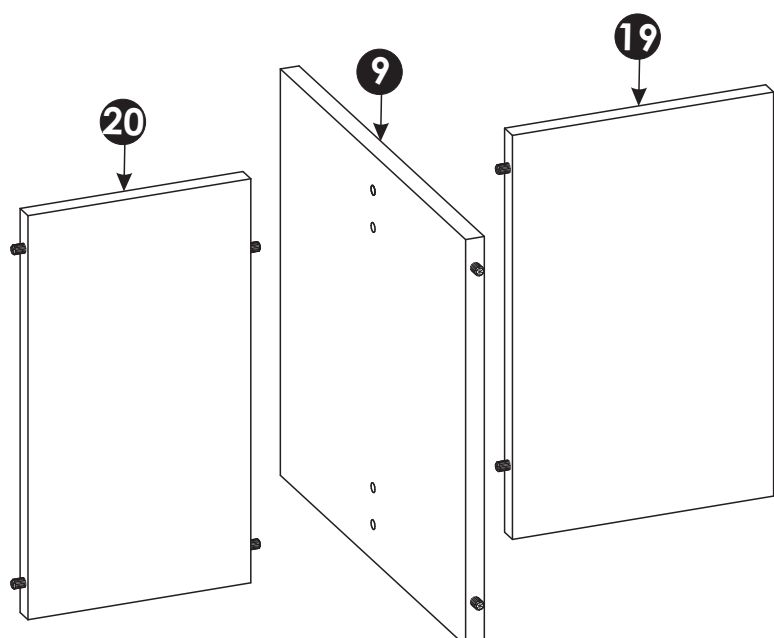


x3


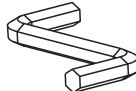
16▶

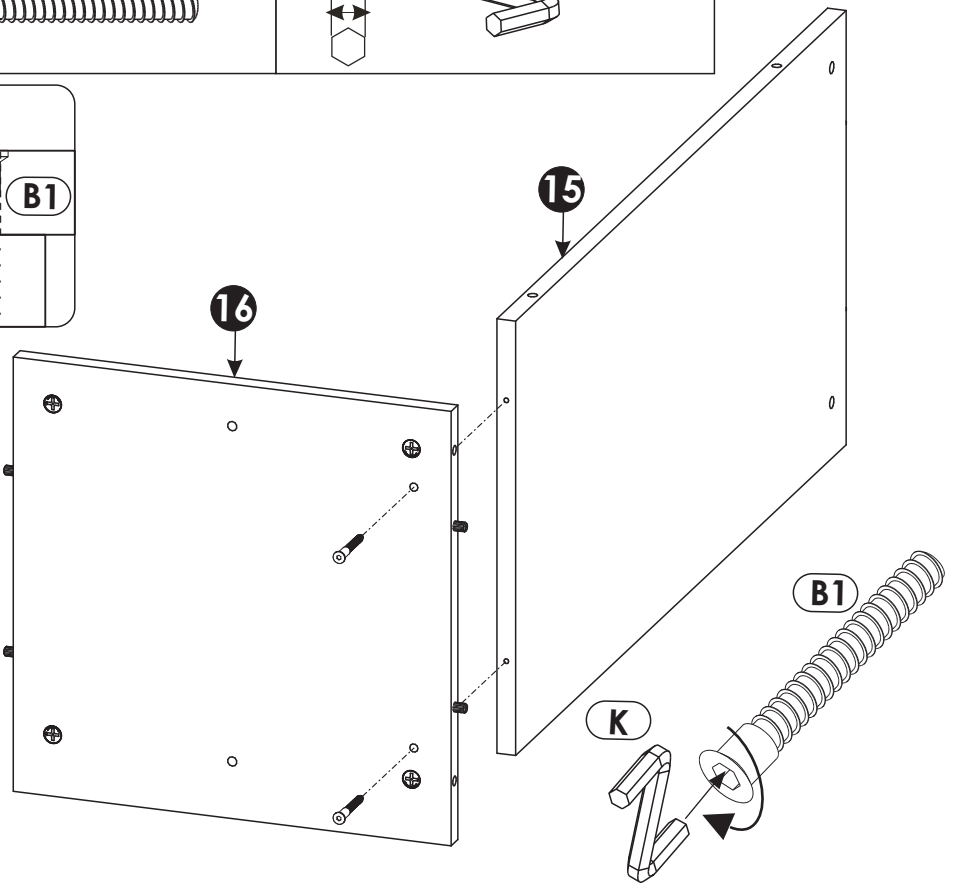
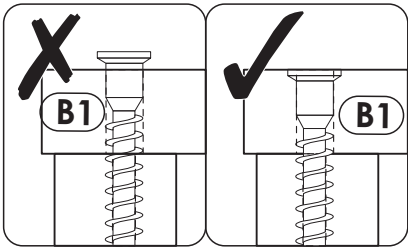


17▶

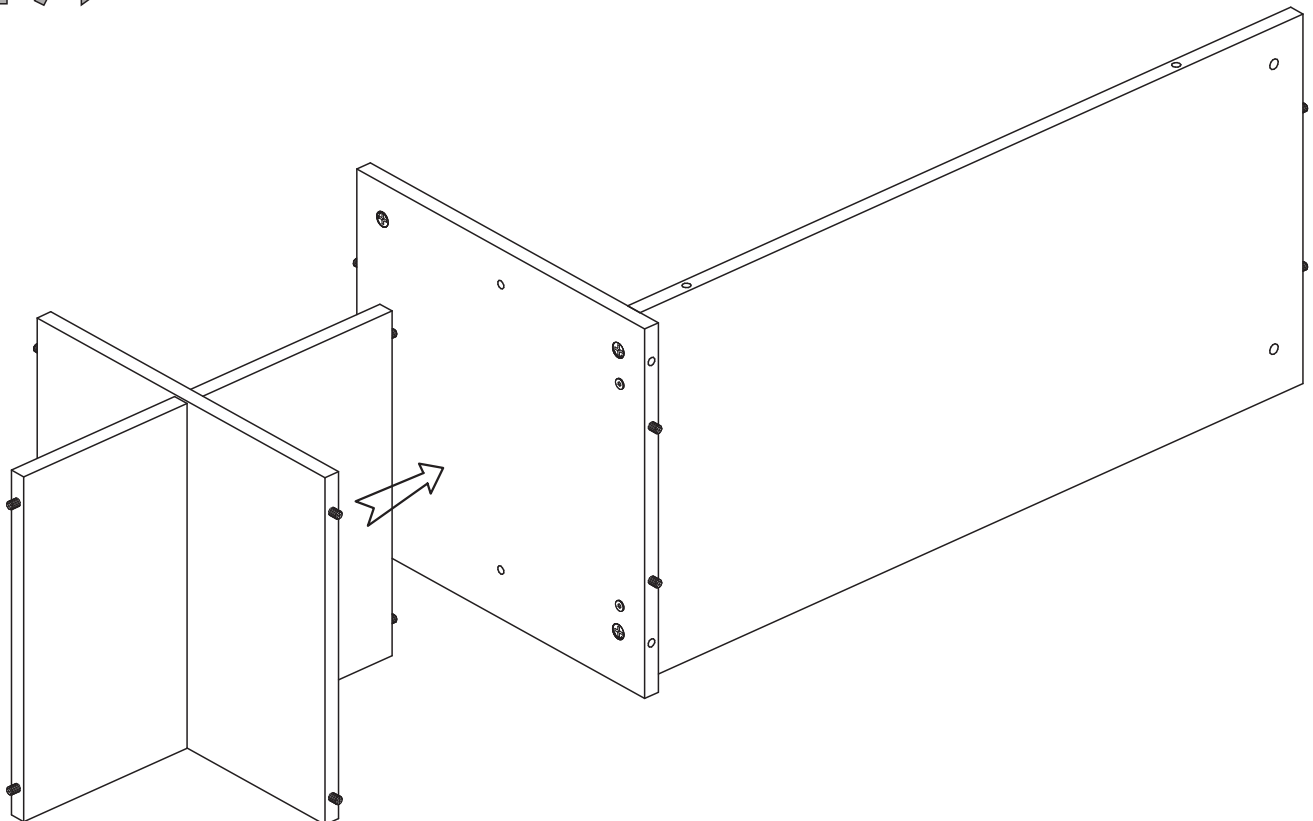


18 ▶

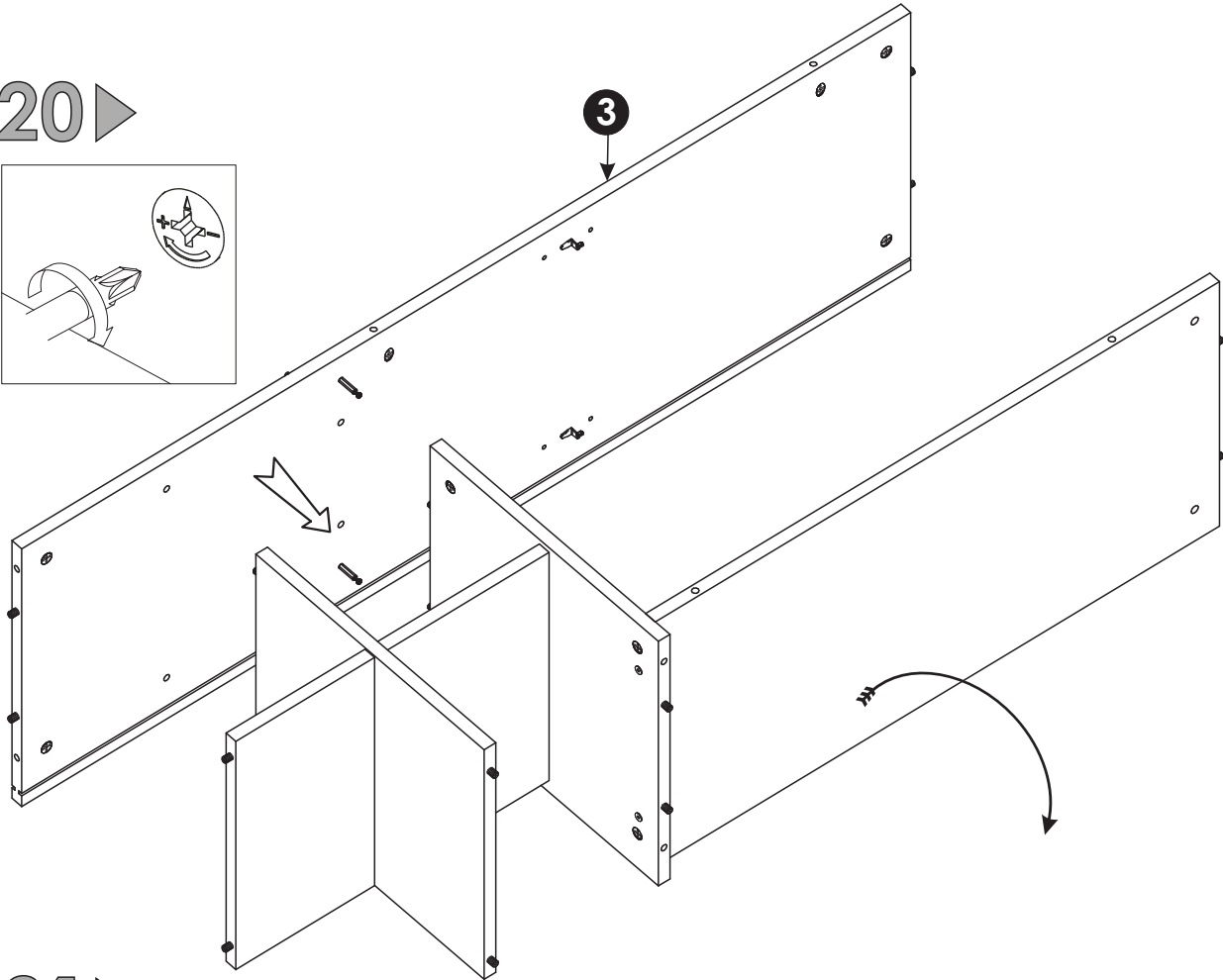
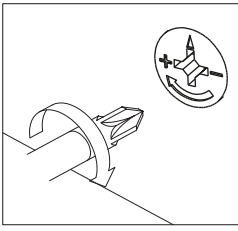
| | | | | |
|---|-------------|-----------|--|-----------|
| B1 | f 7 x 50 mm | x2 | K | x1 |
|  | | |  | |
| | | | 4mm | |



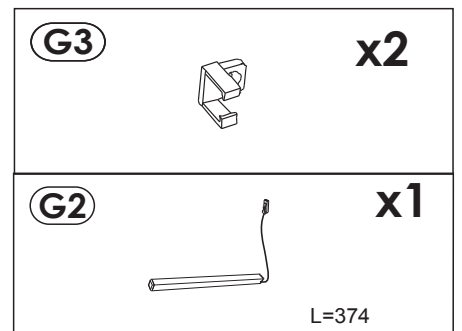
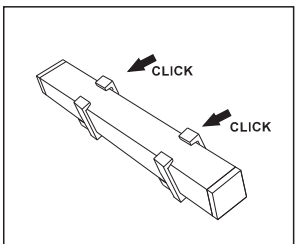
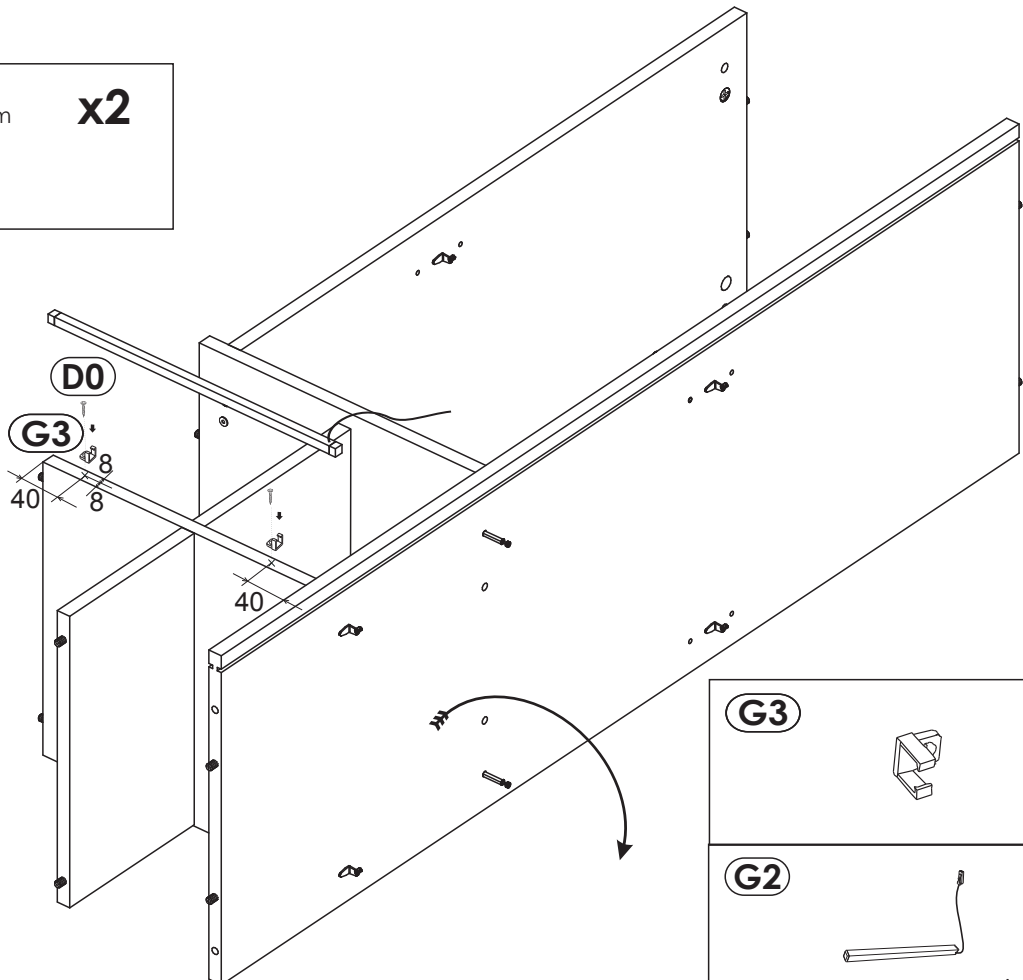
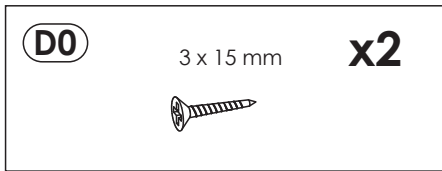
19 ▶



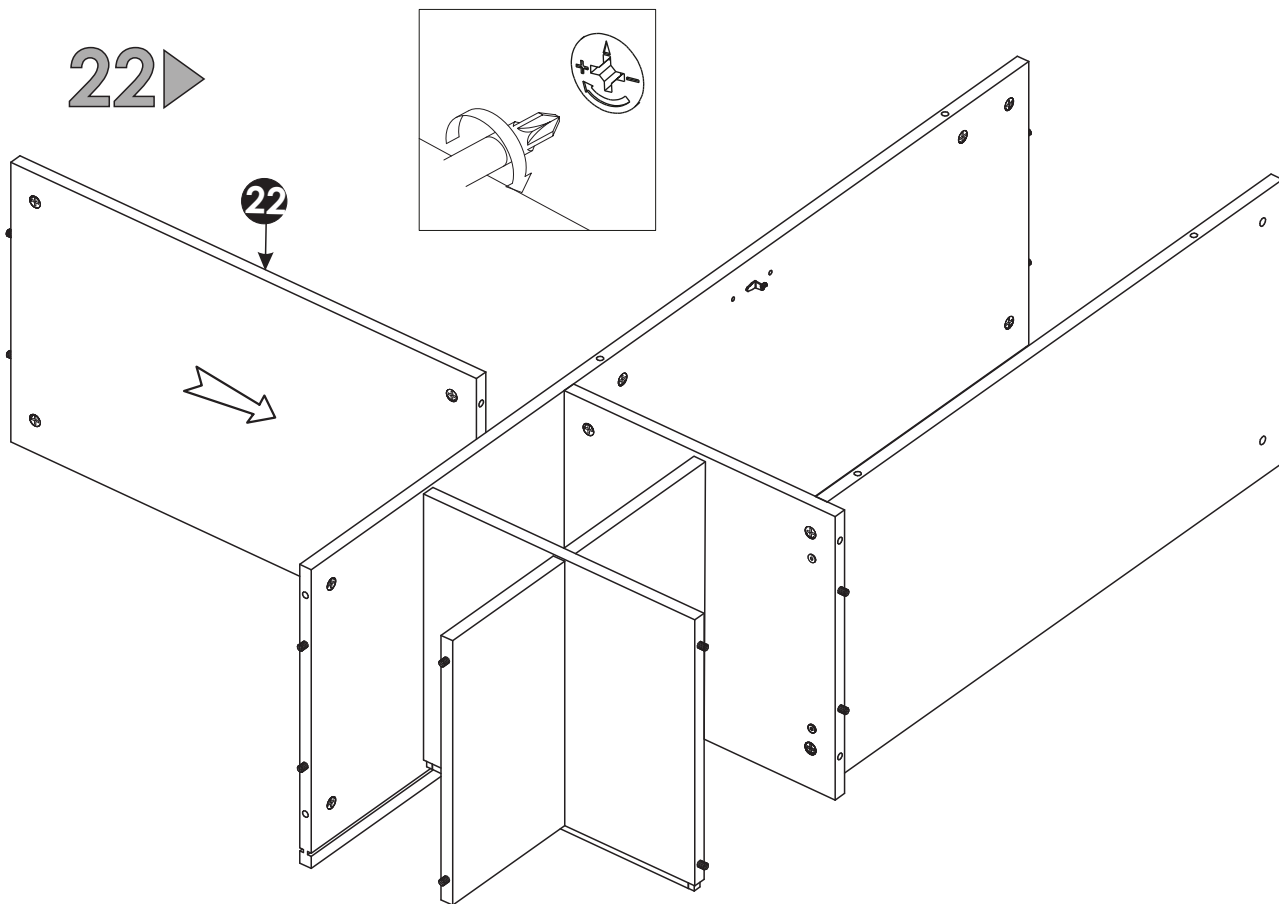
20 ▶



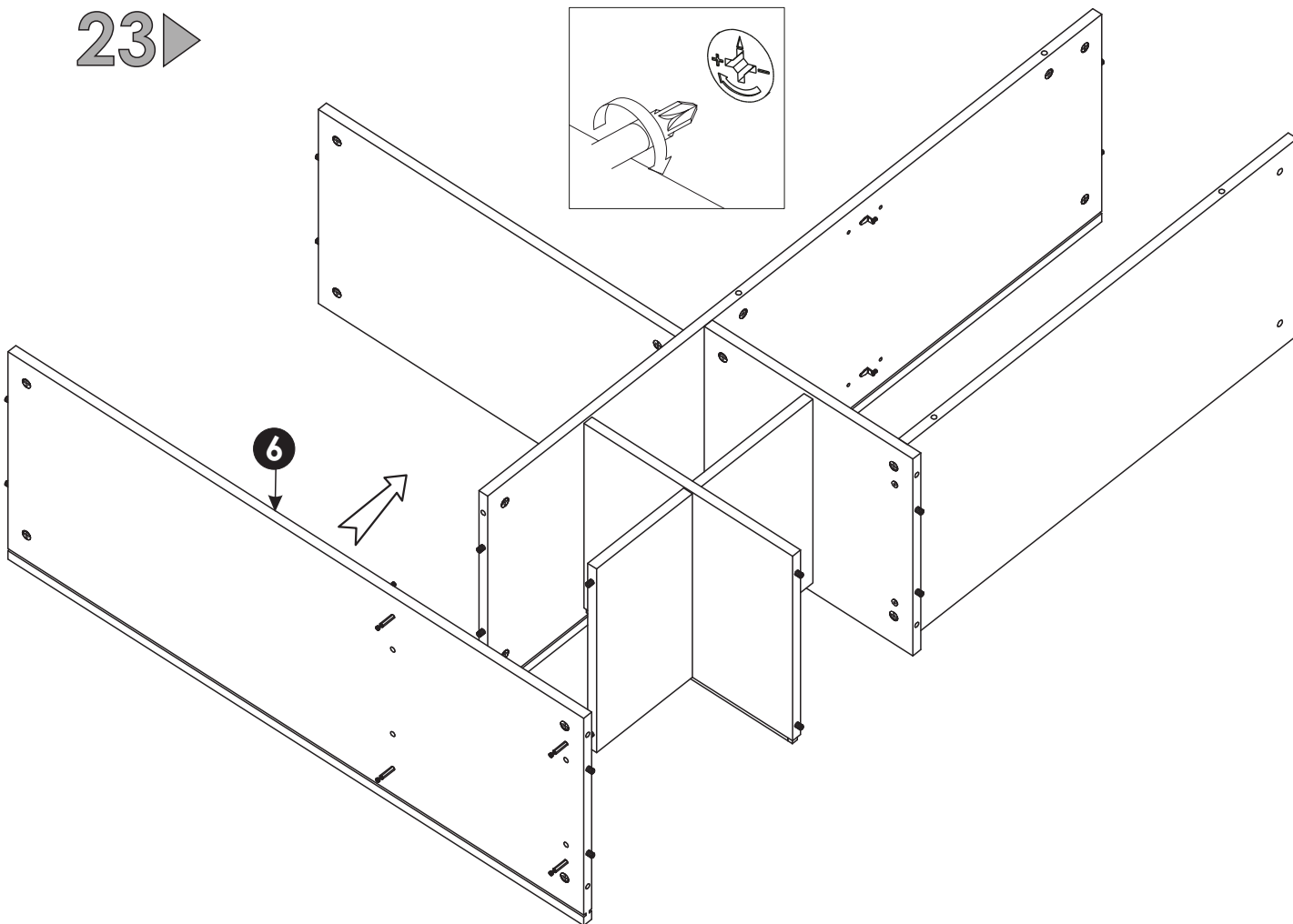
21 ▶



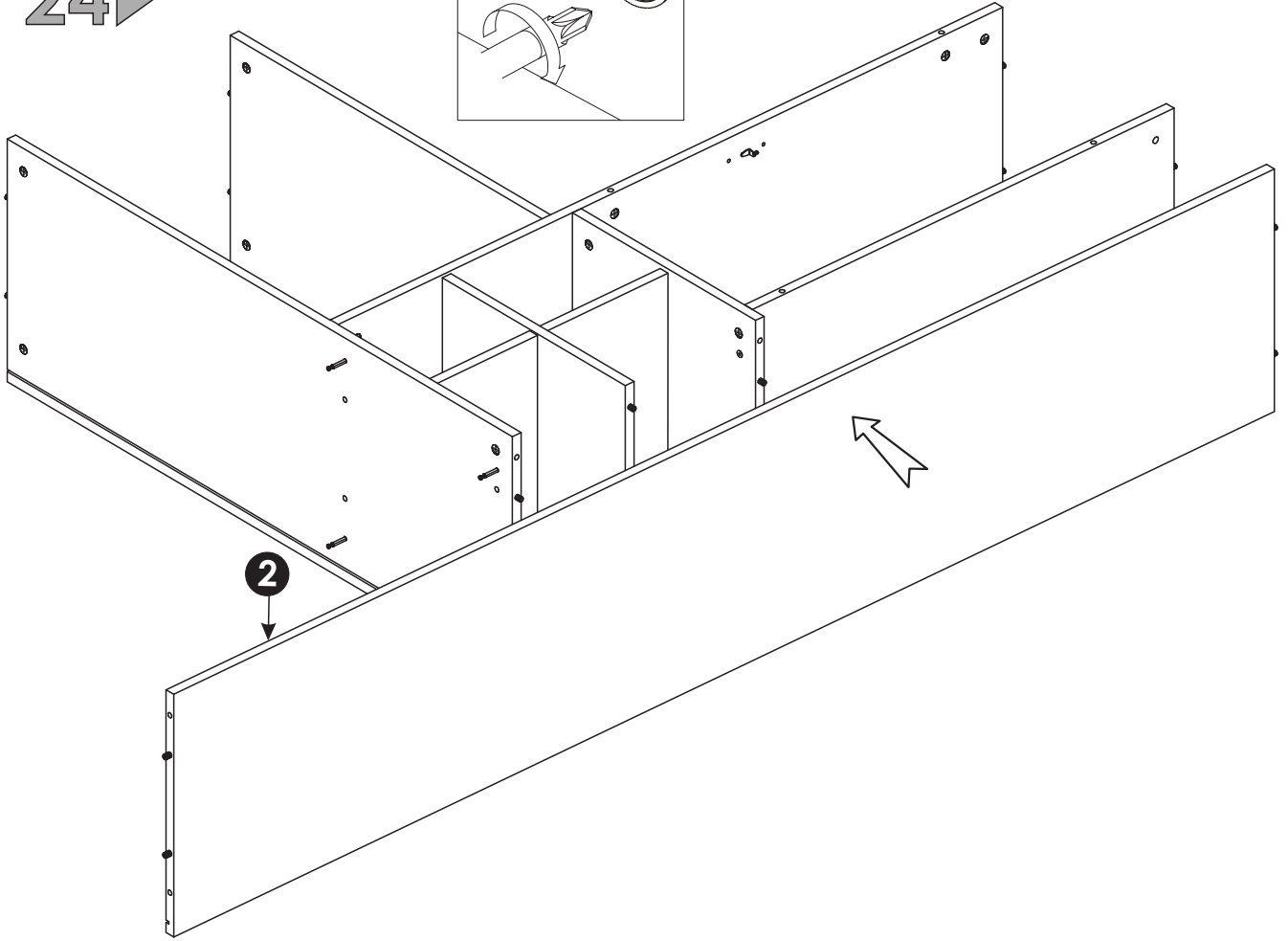
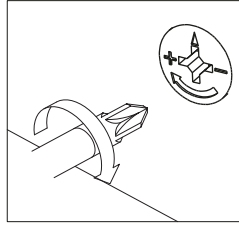
22 ▶



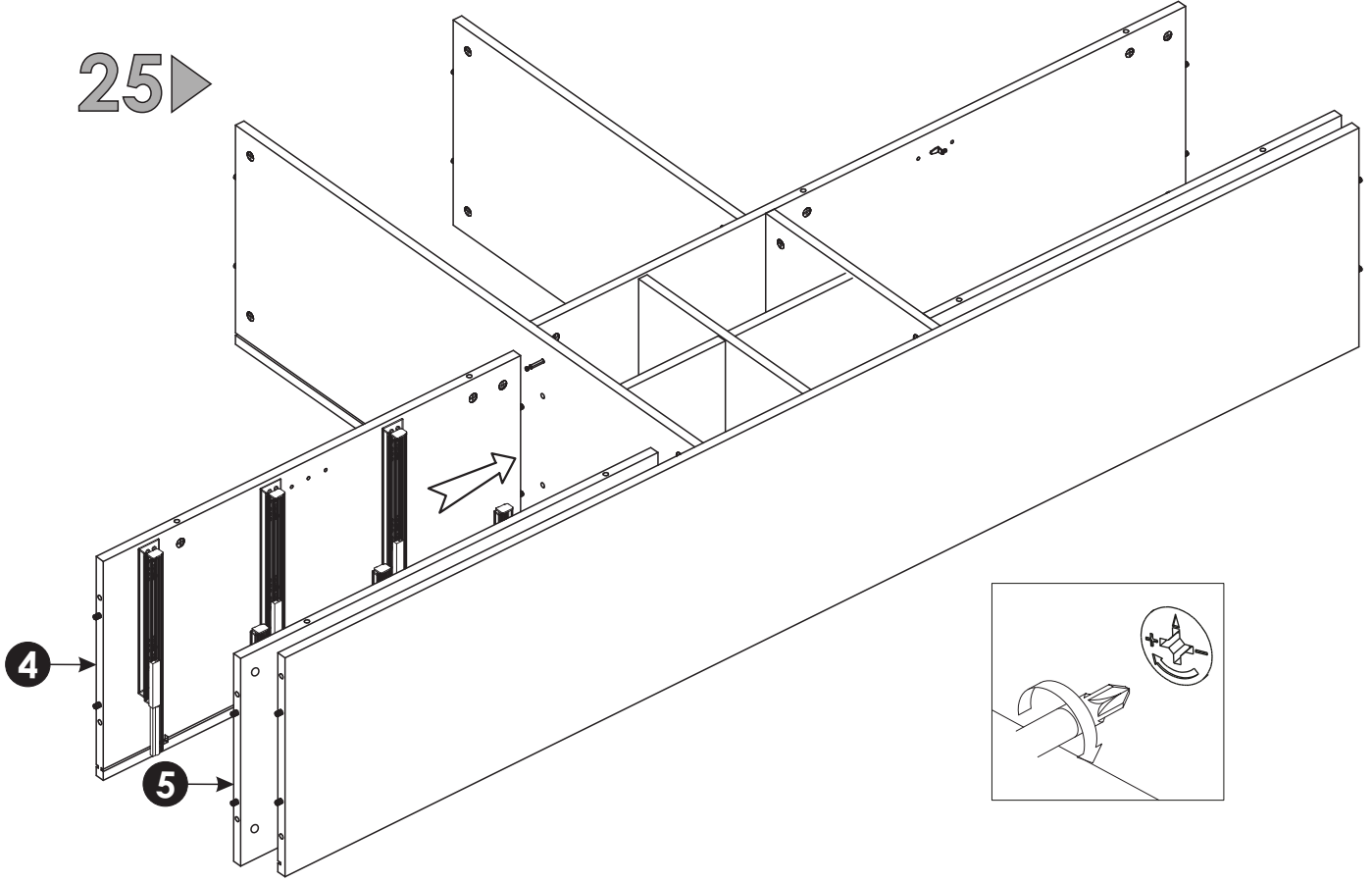
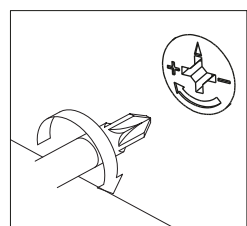
23 ▶



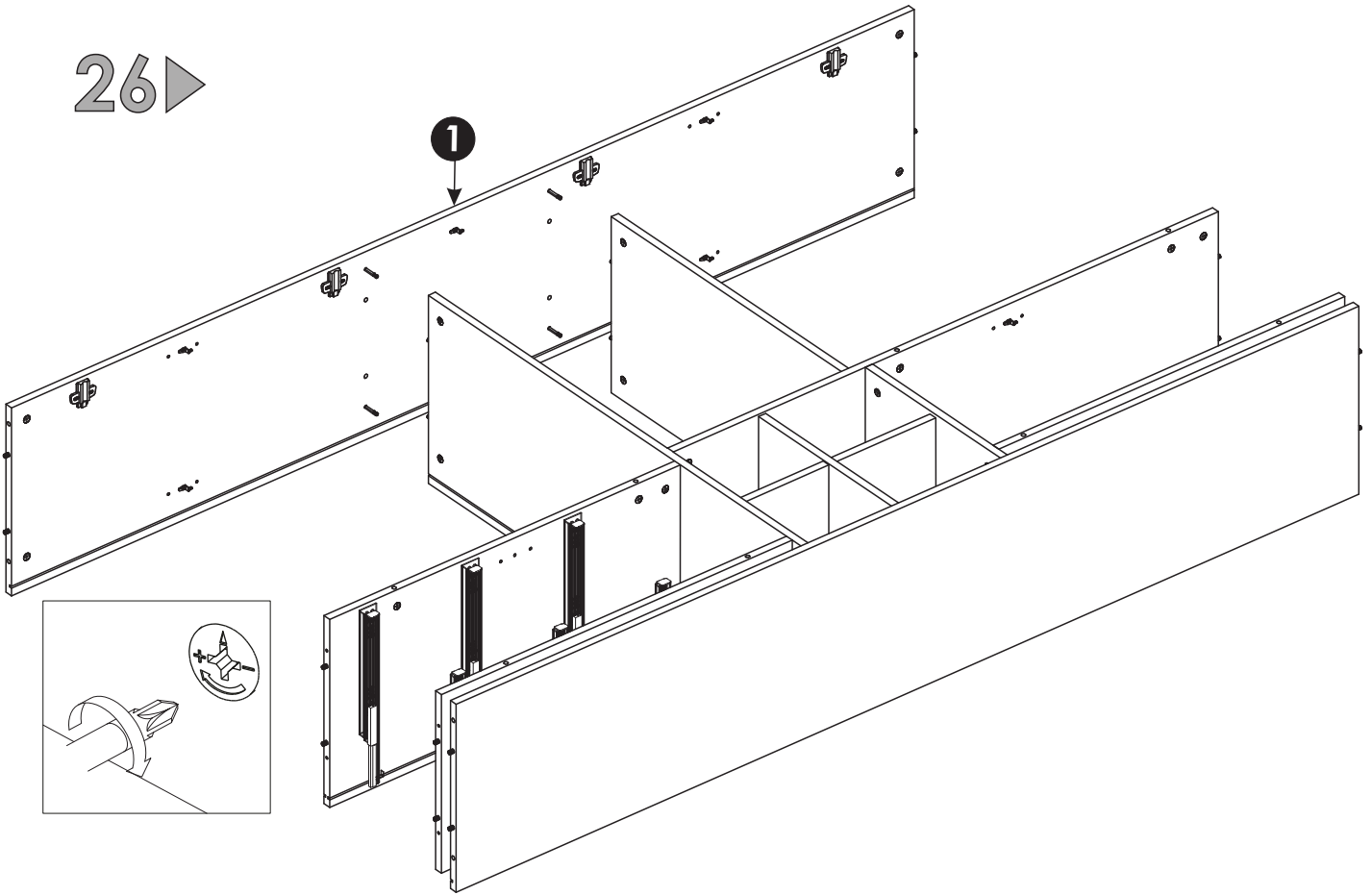
24 ▶




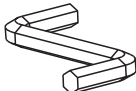
25 ▶

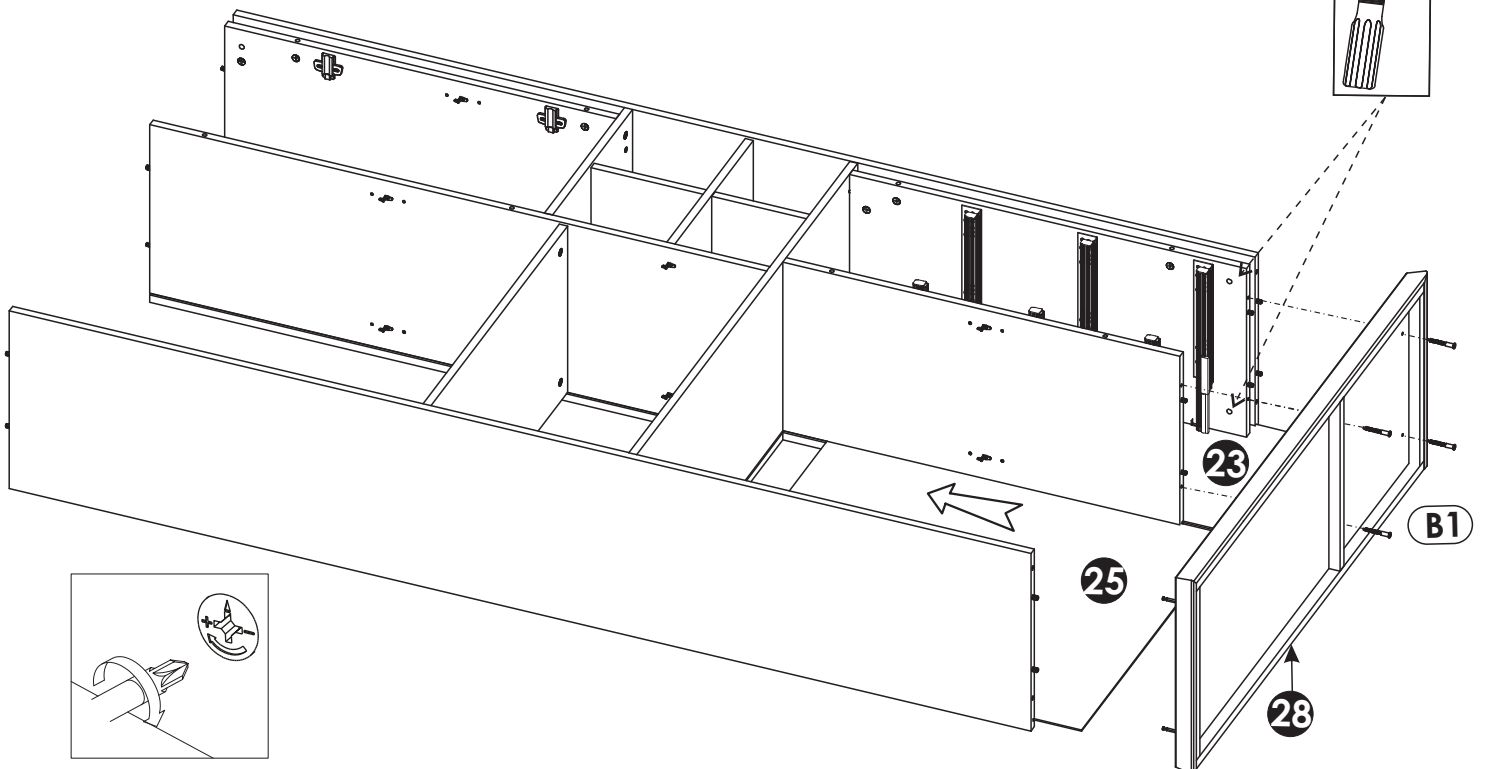
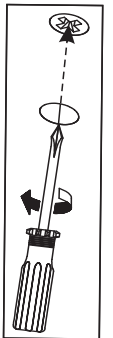


26▶

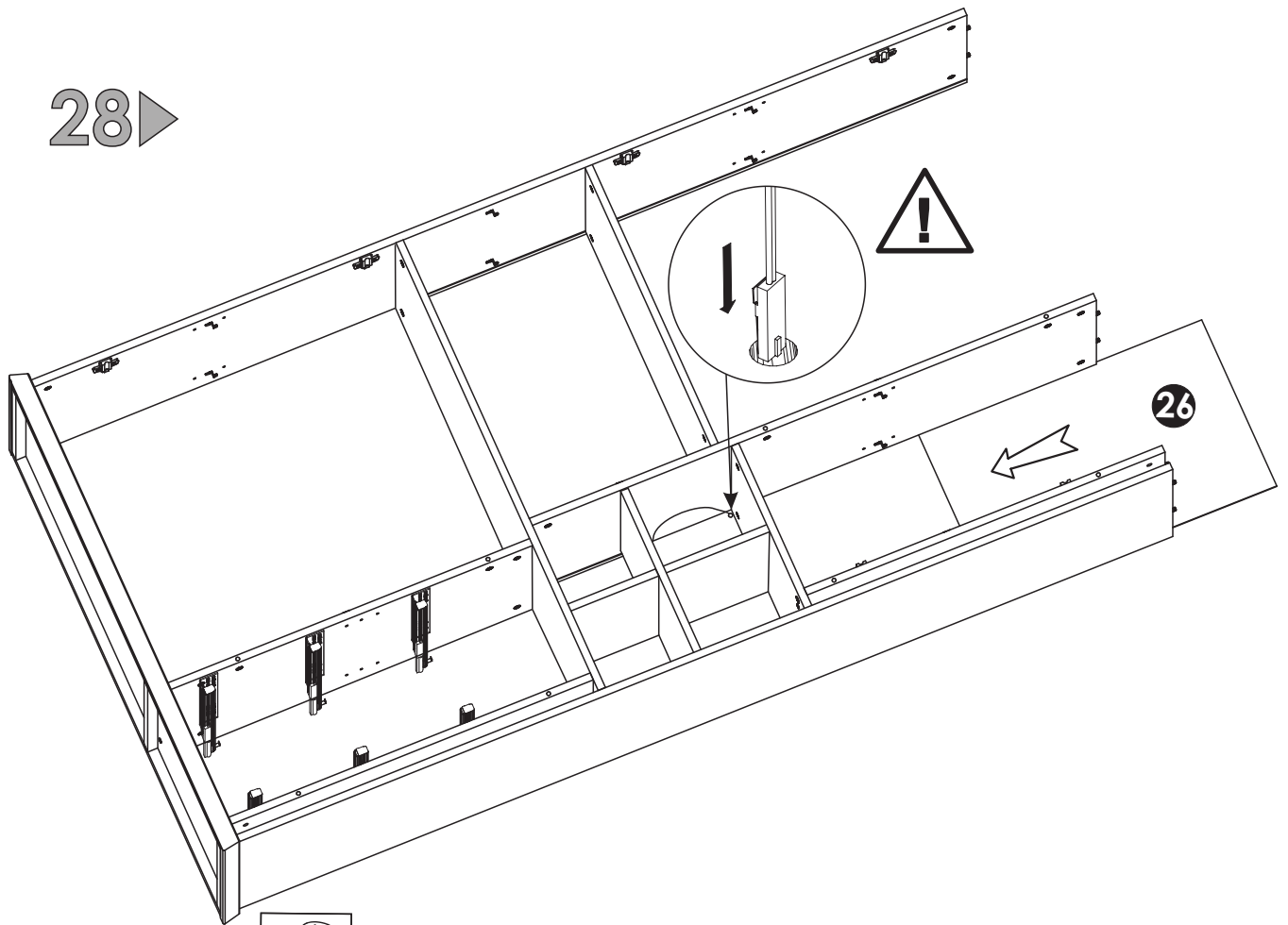


27▶

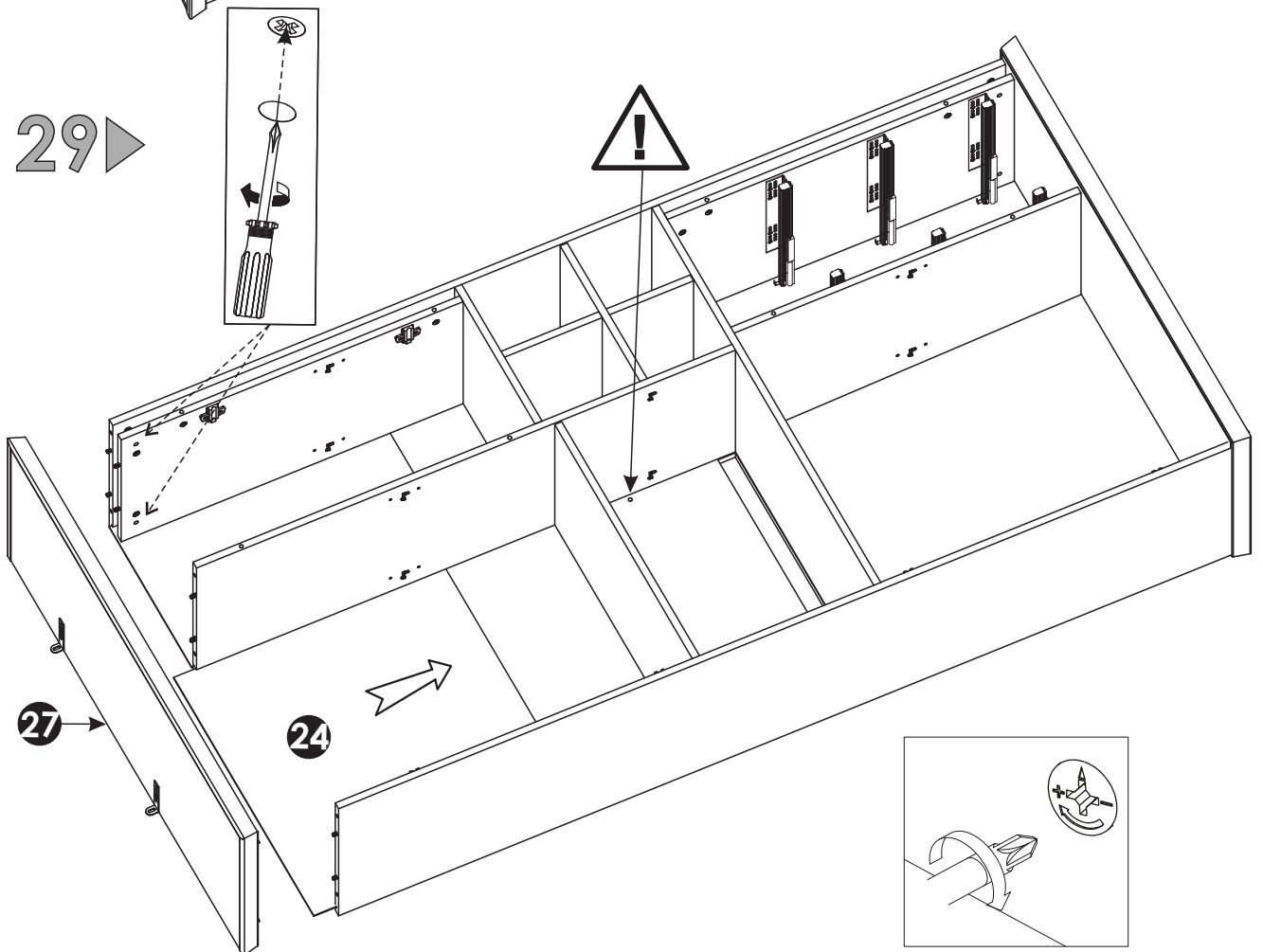
| | | | | | |
|---|-------------|-----------|--|-----|-----------|
| B1 | f 7 x 50 mm | x4 | K | 4mm | x1 |
|  | | |  | | |






28 ▶

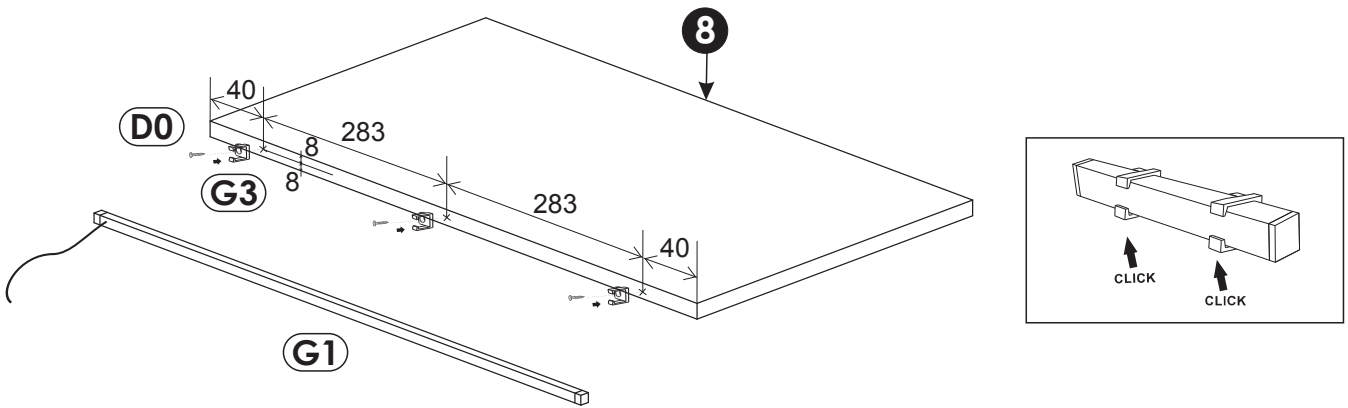


29 ▶

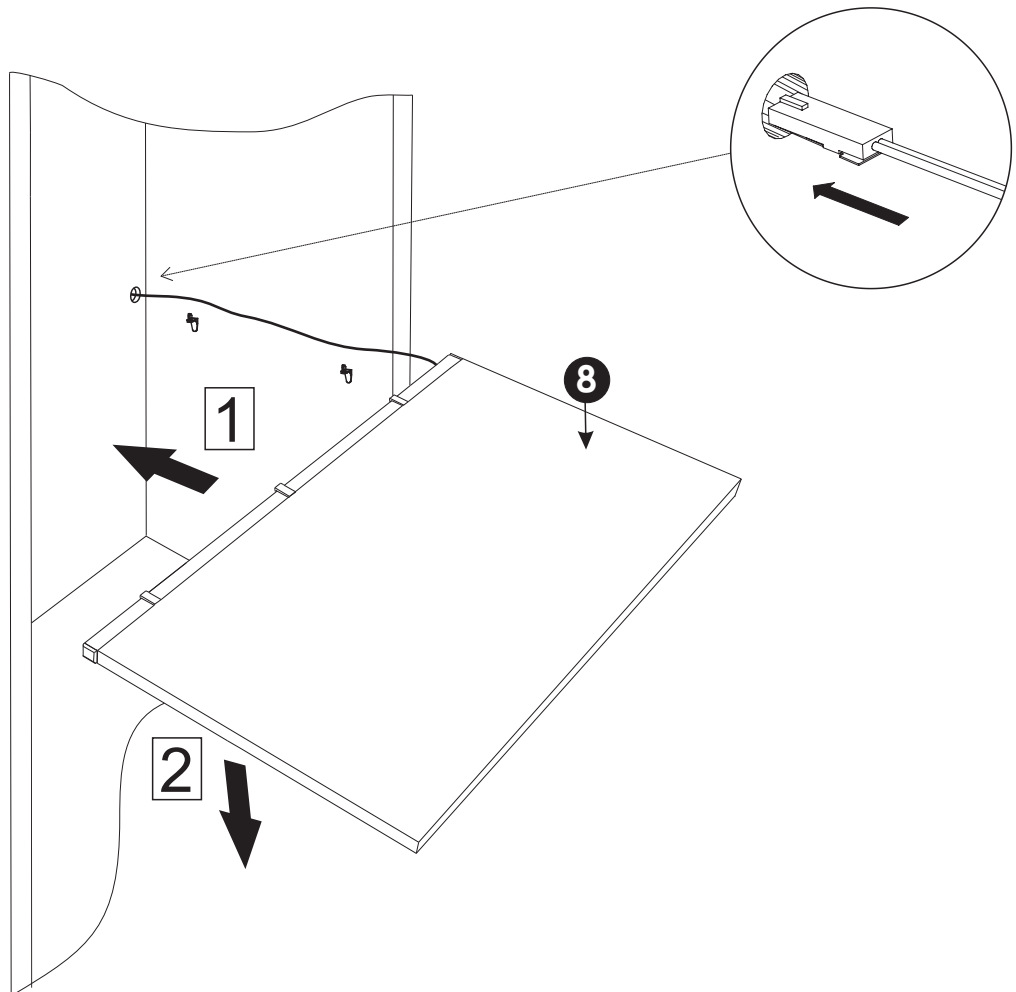


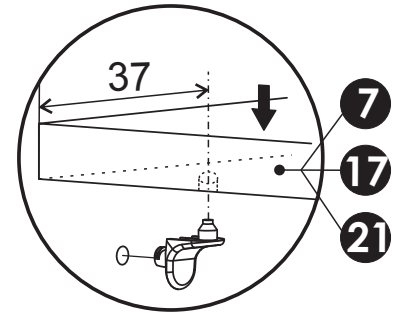
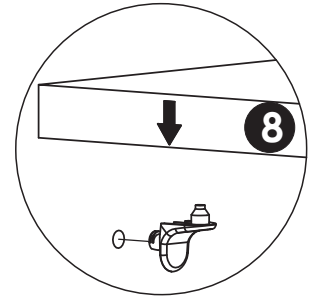
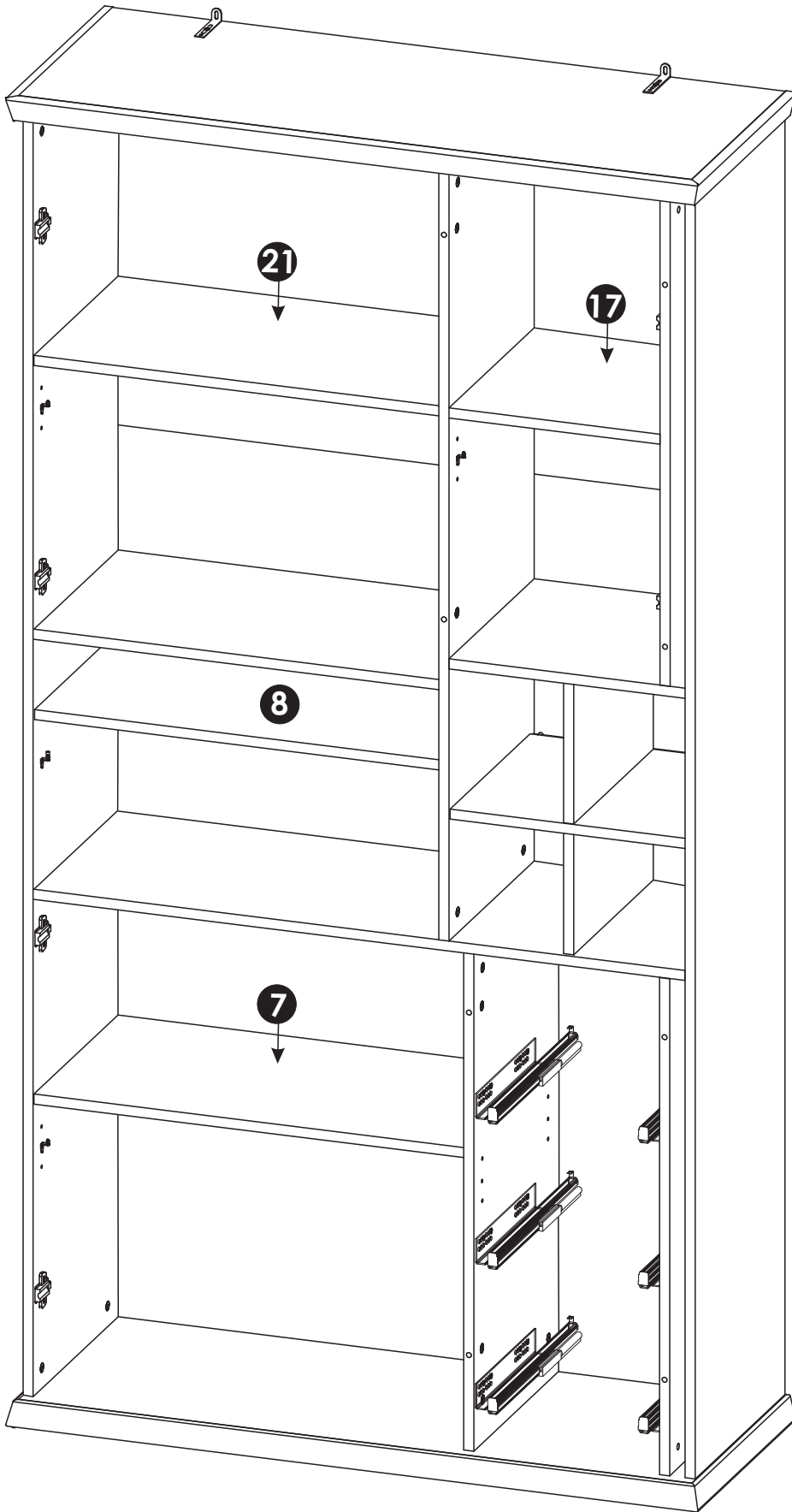
30 ▶

| | | |
|--|---|--|
| <p>(D0) 3 x 15 mm x3</p>  | <p>(G1) x1</p>  <p>L=638</p> | <p>(G3) x3</p>  |
|--|---|--|

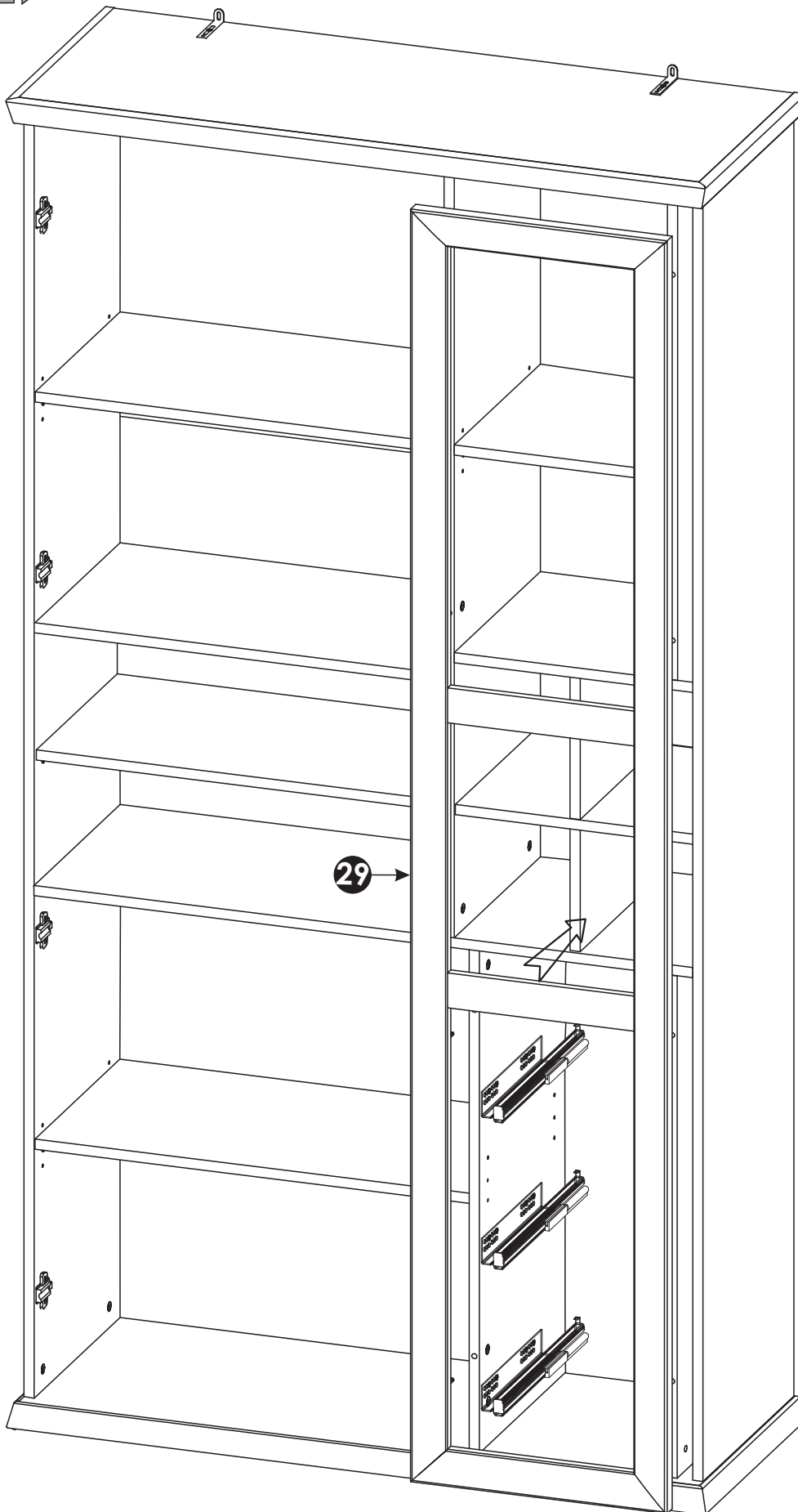
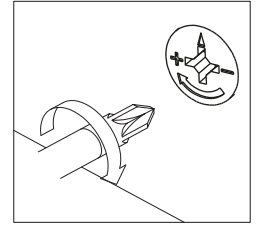


31 ▶



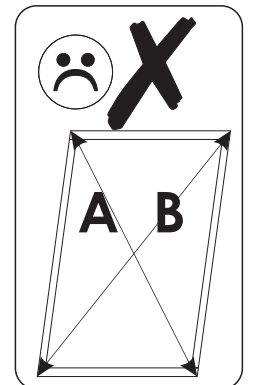
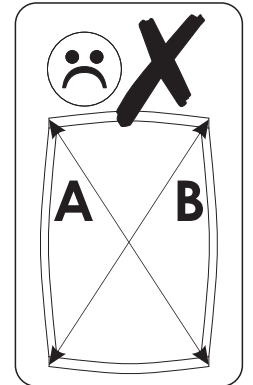
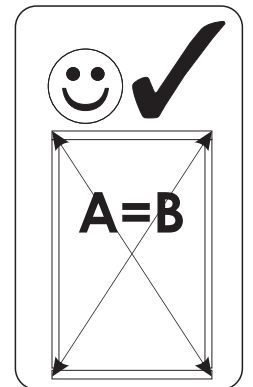
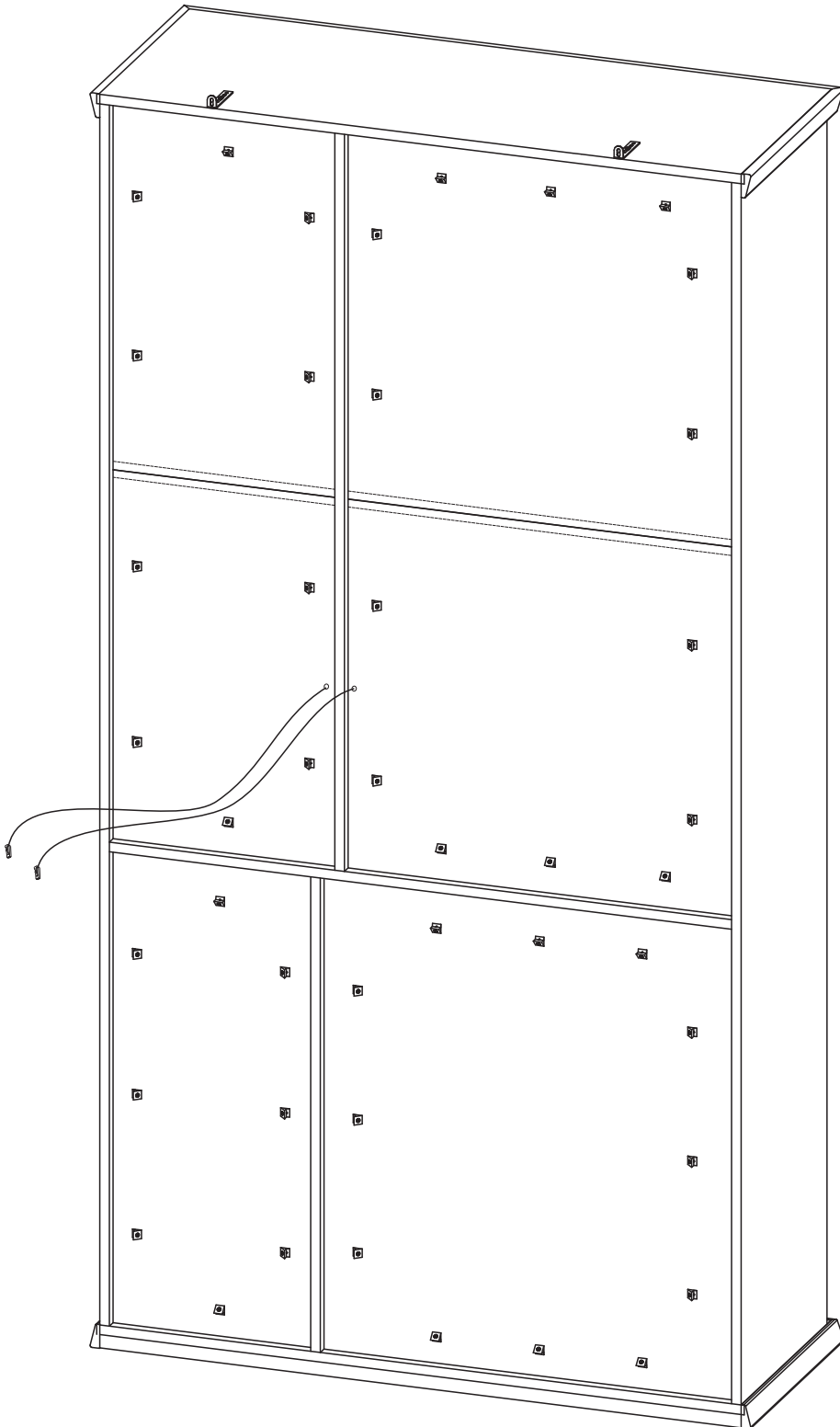
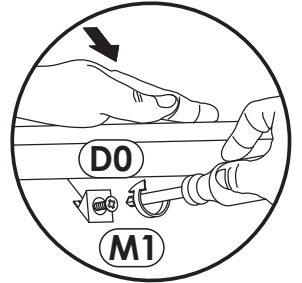
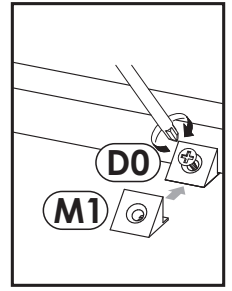


32 ▶



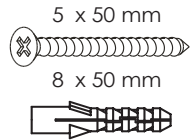
33 ▶

| | | | | |
|-------------|-----------|------------|-------------|------------|
| (D0) | 3 x 15 mm | x44 | (M1) | x44 |
|-------------|-----------|------------|-------------|------------|

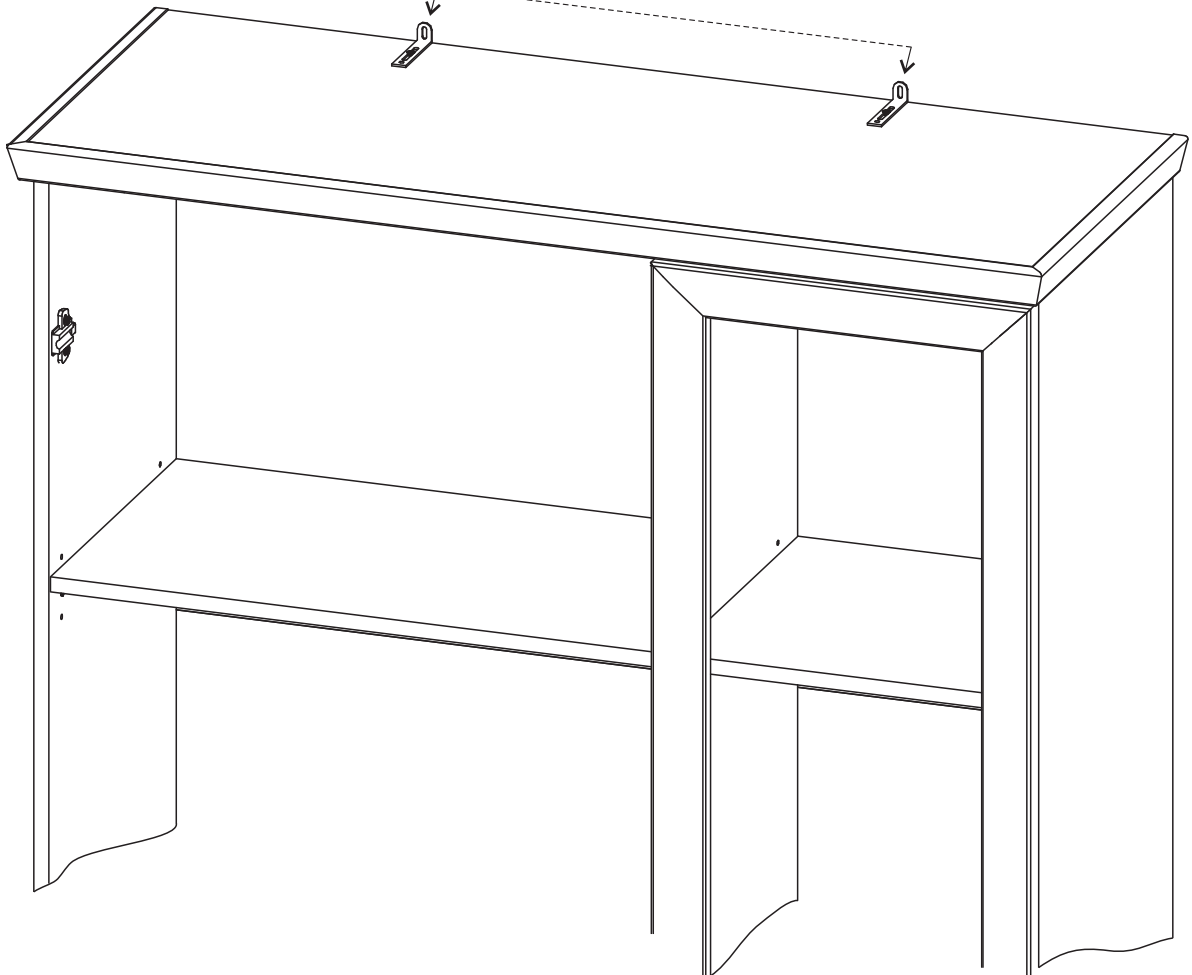
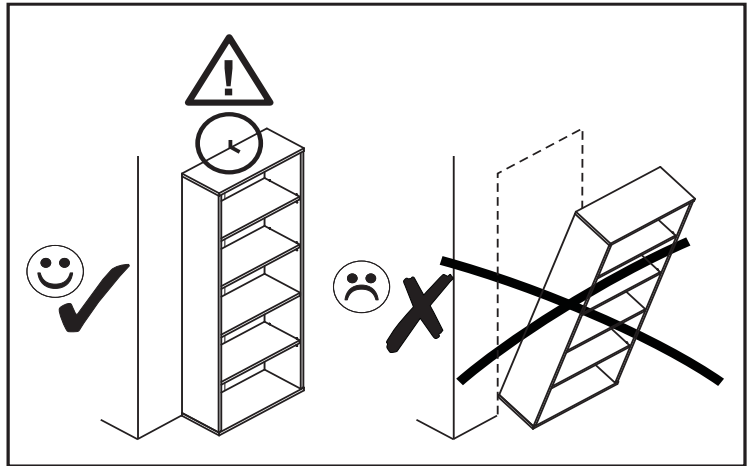
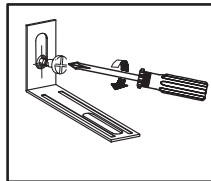
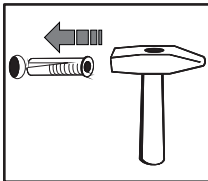
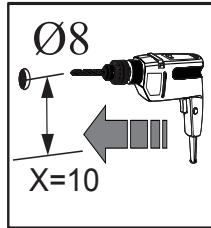
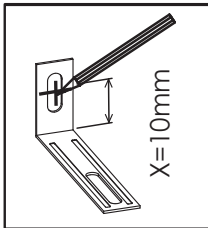
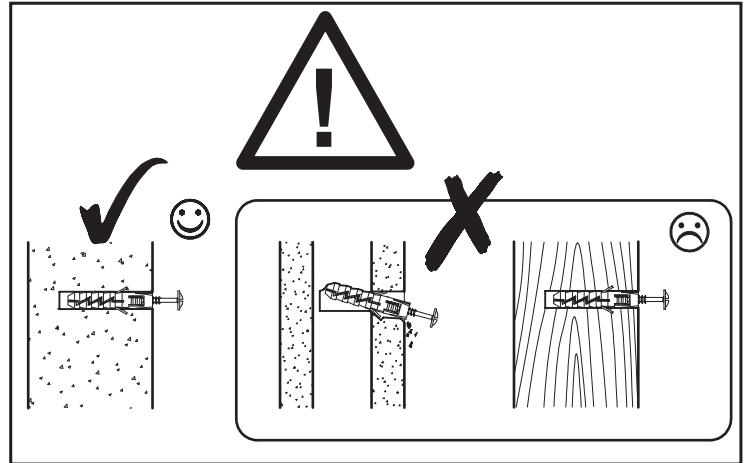


34



EO

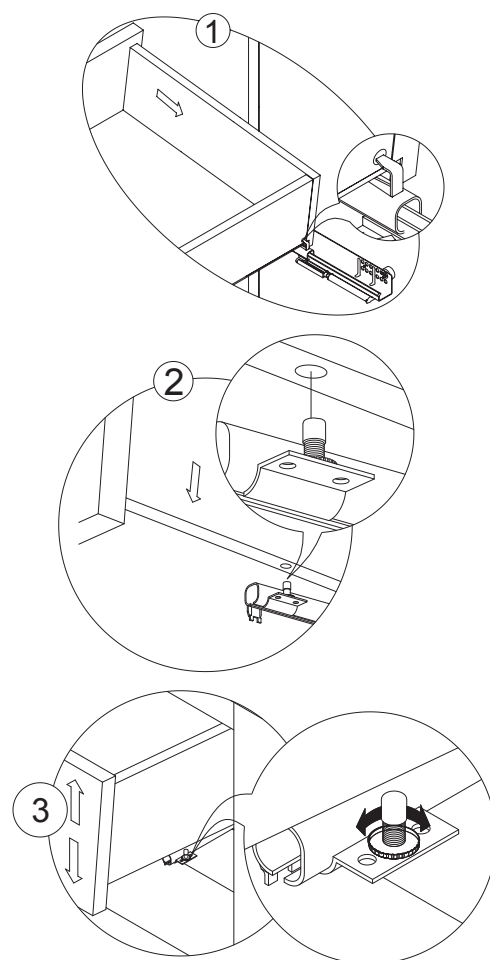
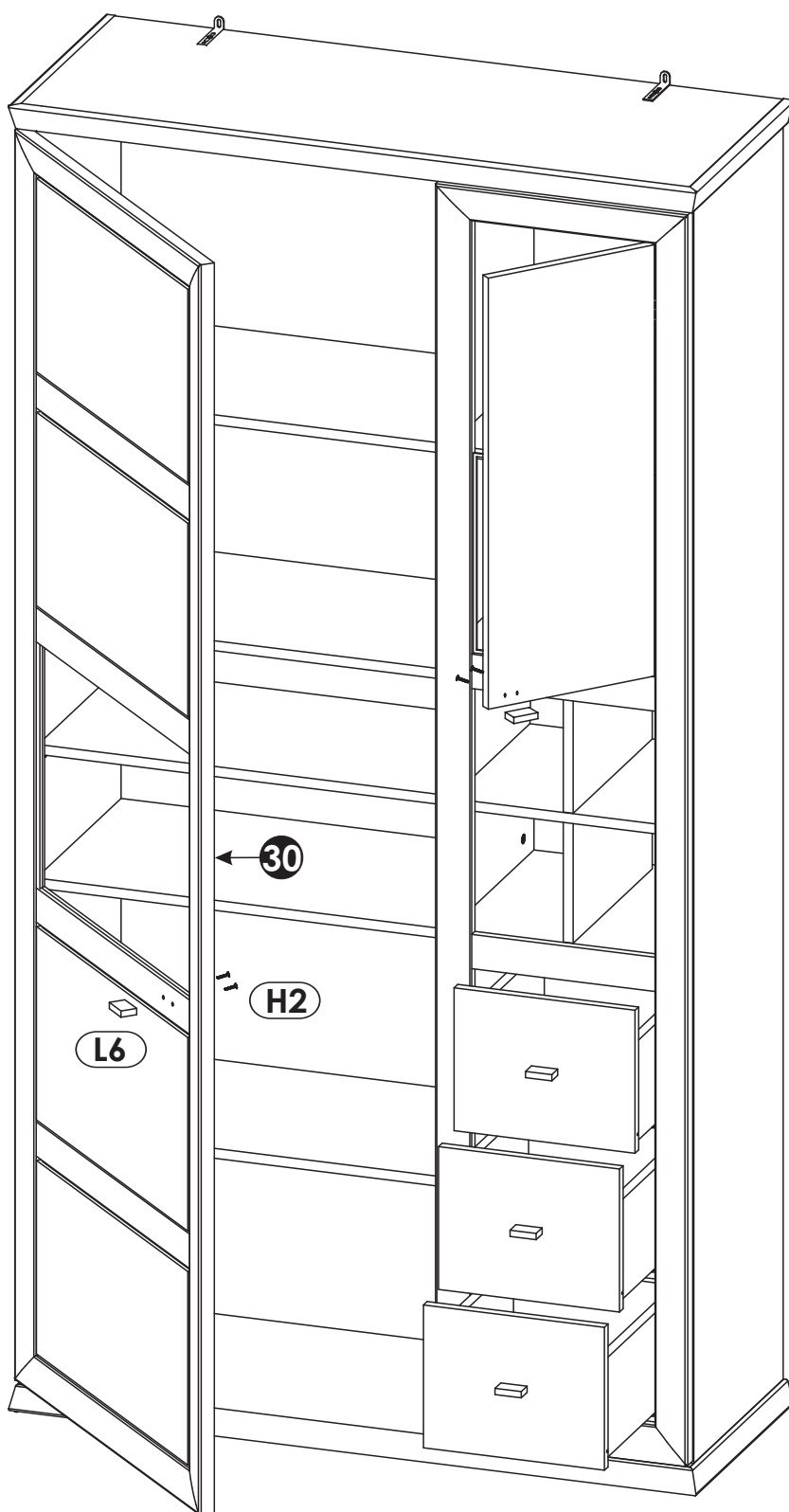
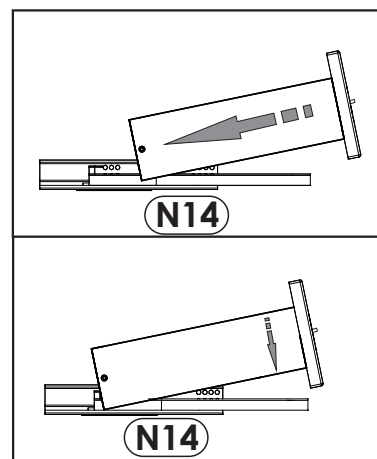
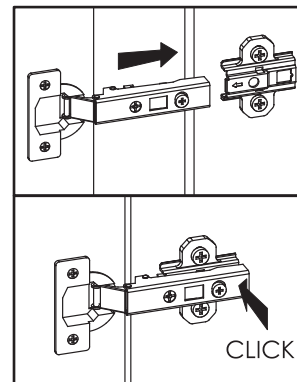


x2



35 ▶

| | | | | | |
|-----------|---|-----------|---|--|-----------|
| H2 | 4 x 22 mm | x4 | L6 | | x2 |
| |  | |  | | |



36▶

