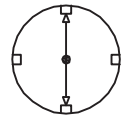
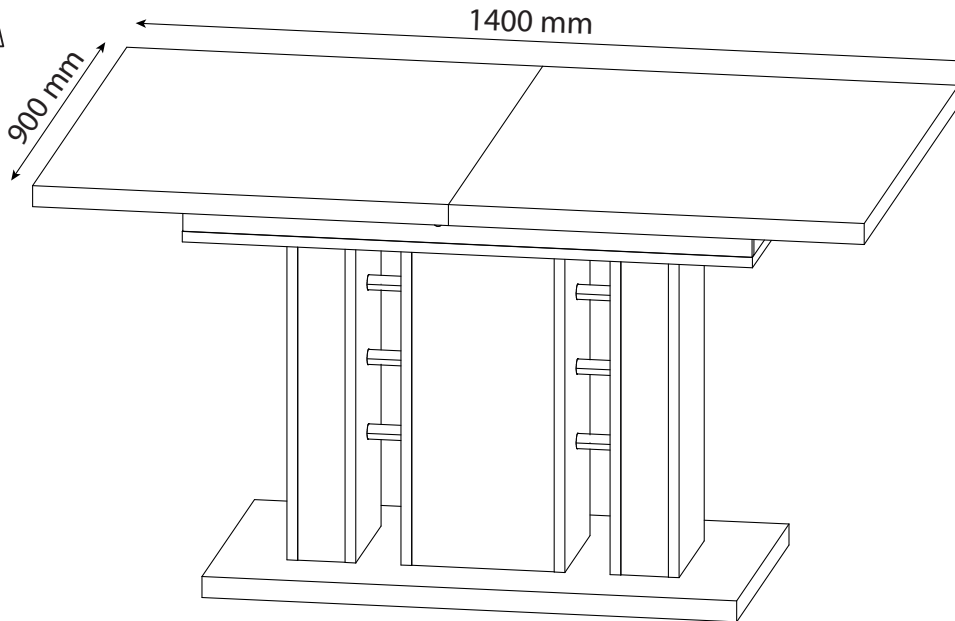
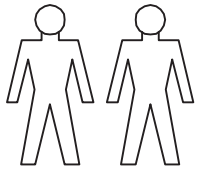


SONA Dinning table

23300112/01

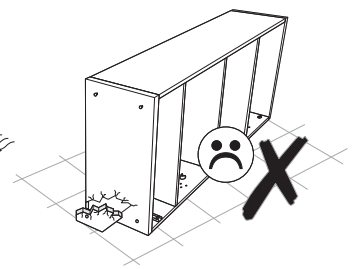
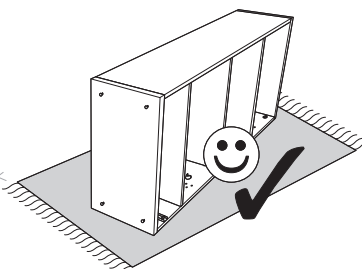
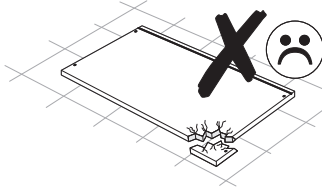
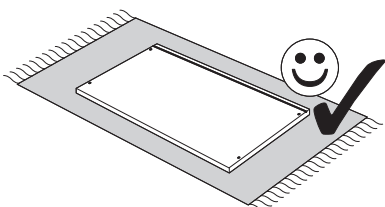
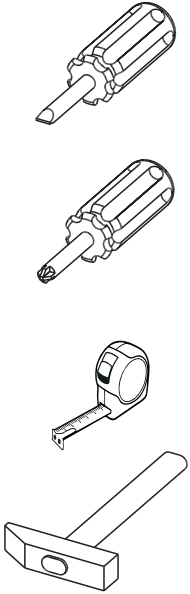
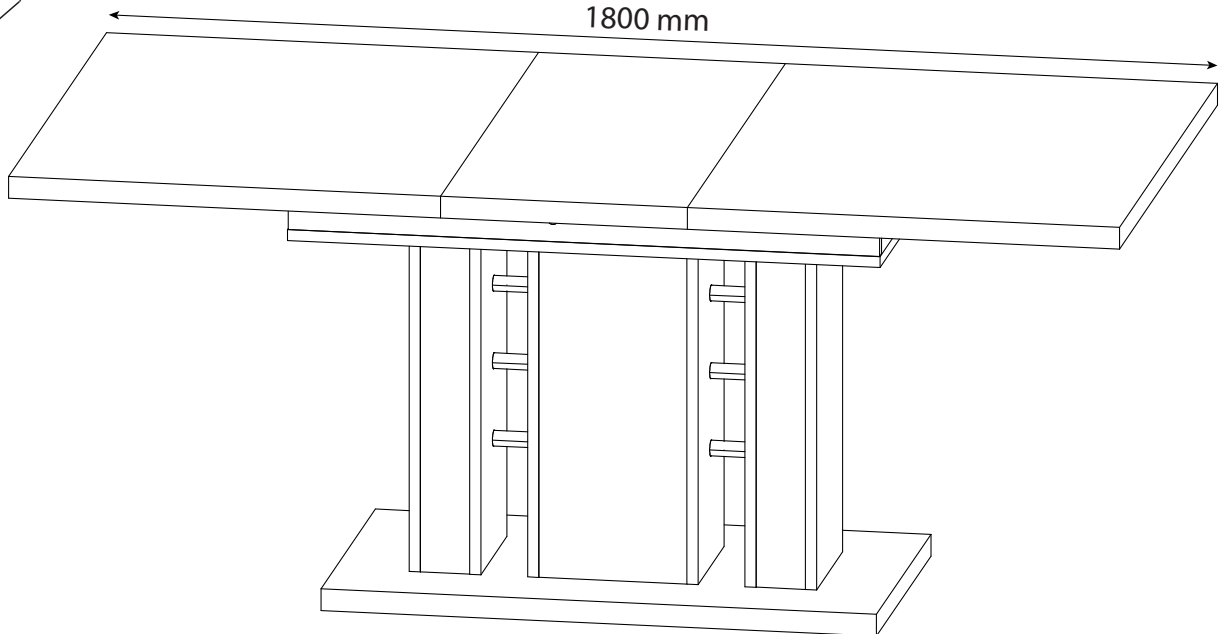




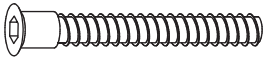

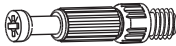
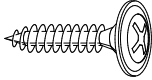


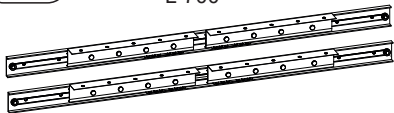
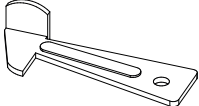
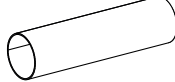
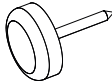

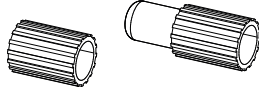

60
MIN

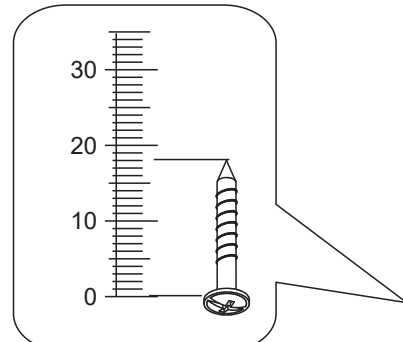
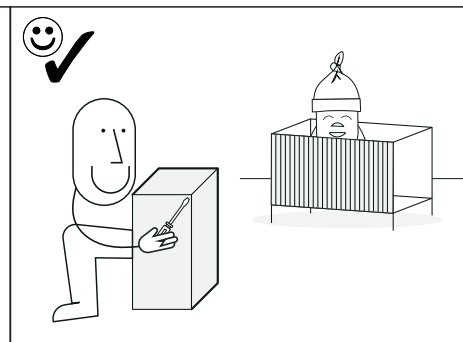
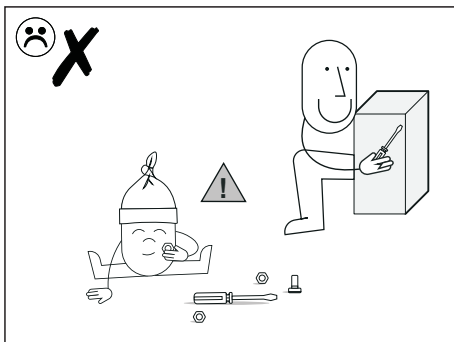
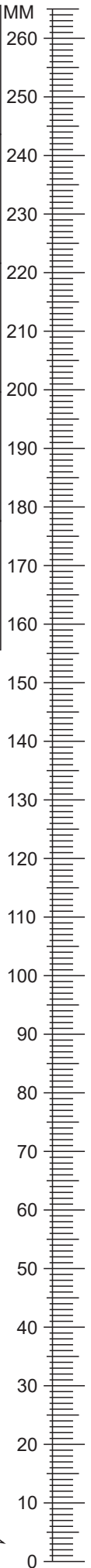


753 mm

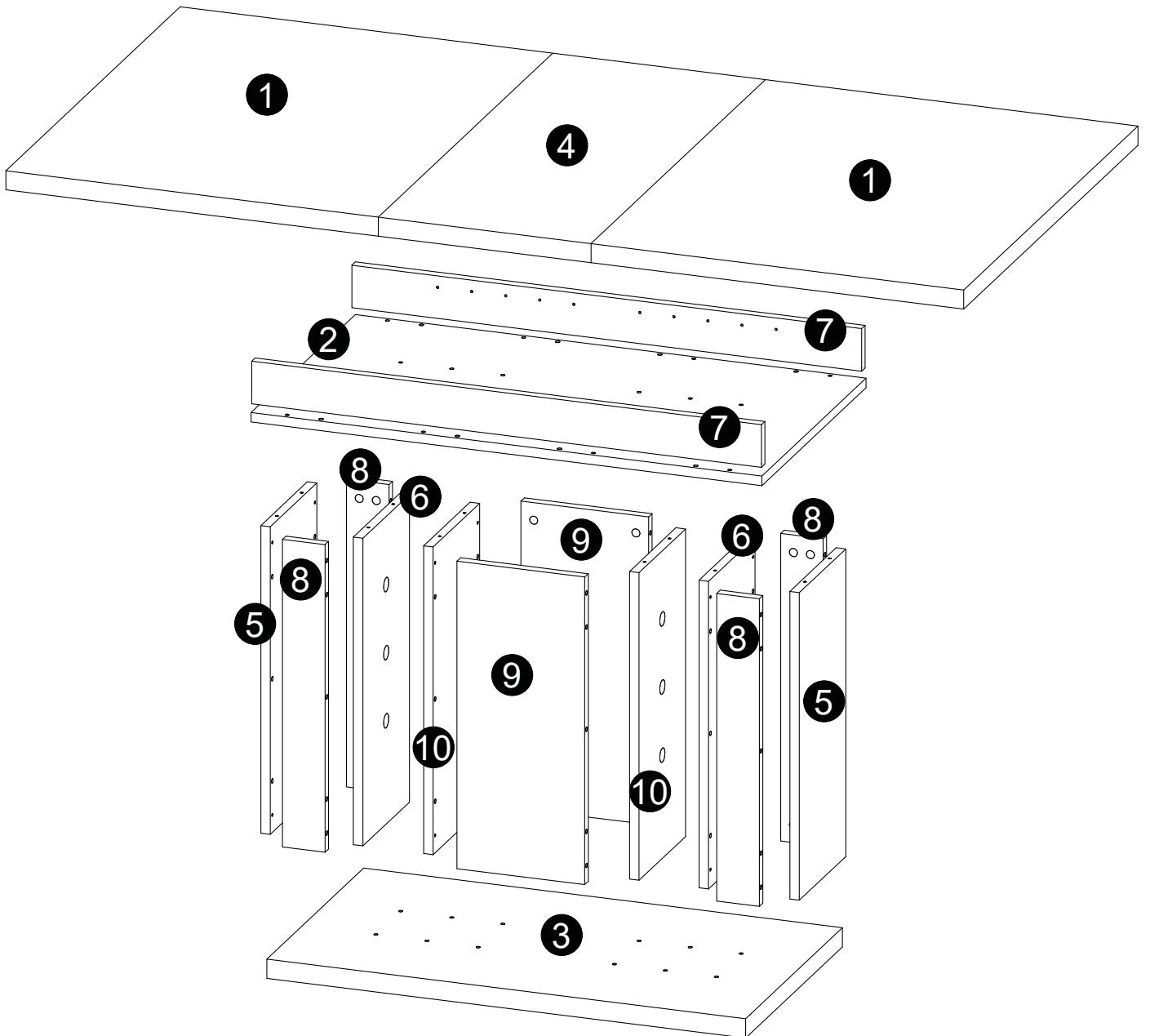
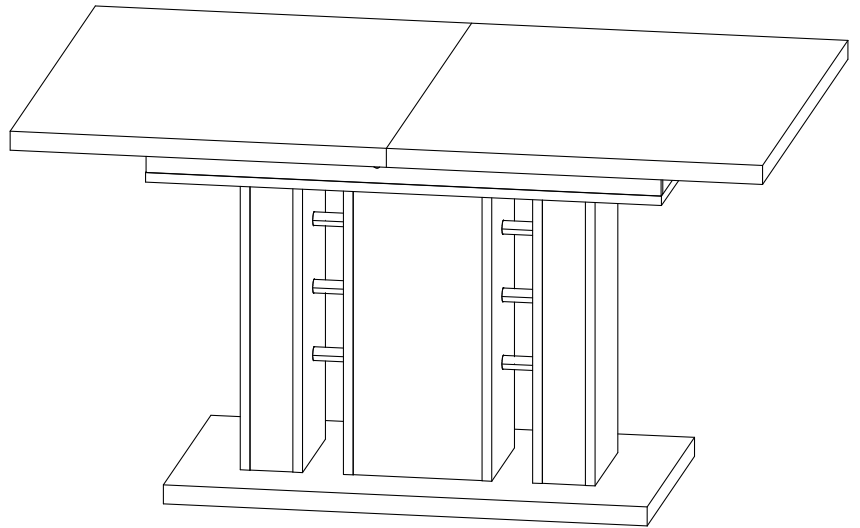
1800 mm

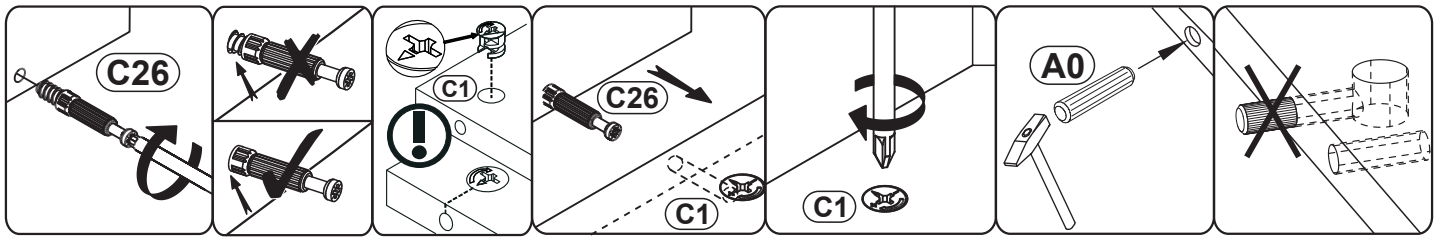


A0 8 x 30mm 	B0 	B1 7x 50 mm 
C1 18mm 	C26 	D4 3,5 x 16 mm 
D21 5 x 13 mm 	K 4mm 	N39 L-700 
N40 	S2 d=25mm L=92mm 	T3 
U2 	U9 	LOGO... 

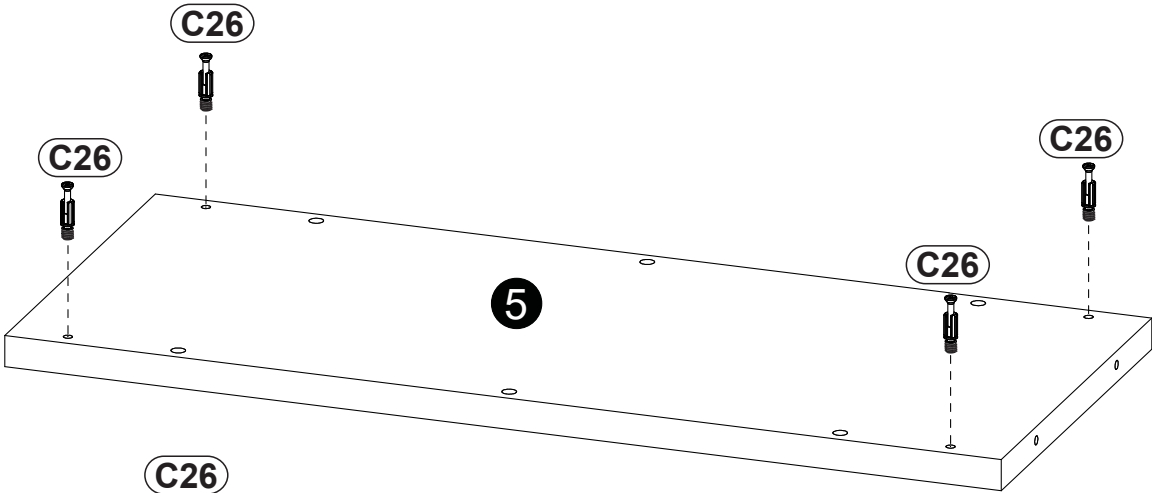
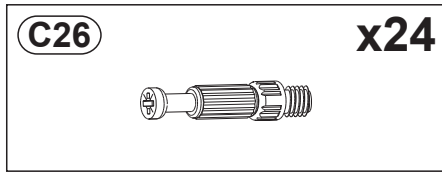


1	700	900	36	2	3/3
2	960	538	18	1	1/3
3	900	550	36	1	1/3
4	400	900	36	1	1/3
5	578	240	18	2	2/3
6	578	240	18	2	2/3
7	958	80	18	2	1/3
8	578	80	18	4	2/3
9	578	240	18	2	2/3
10	578	240	18	2	2/3
					1/3

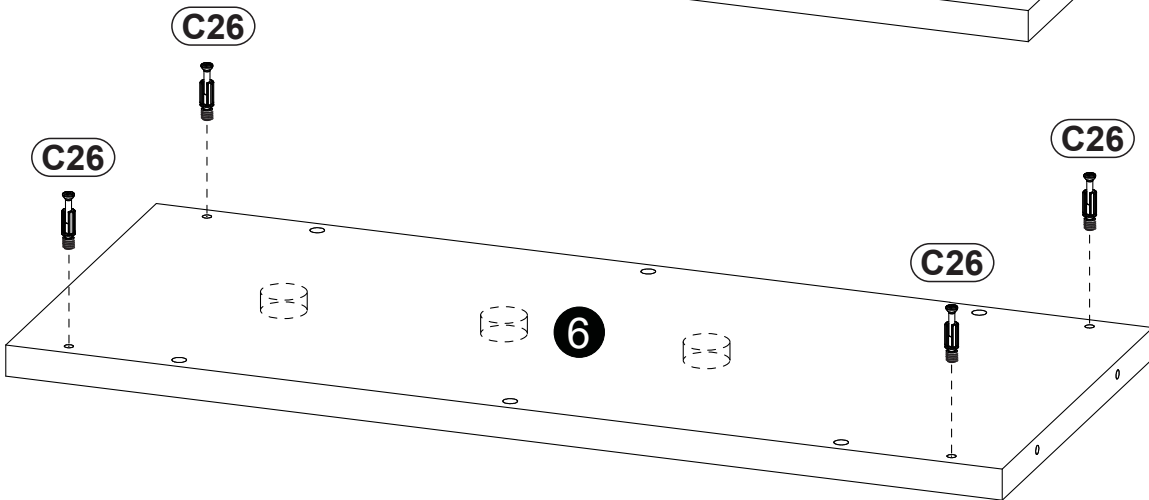




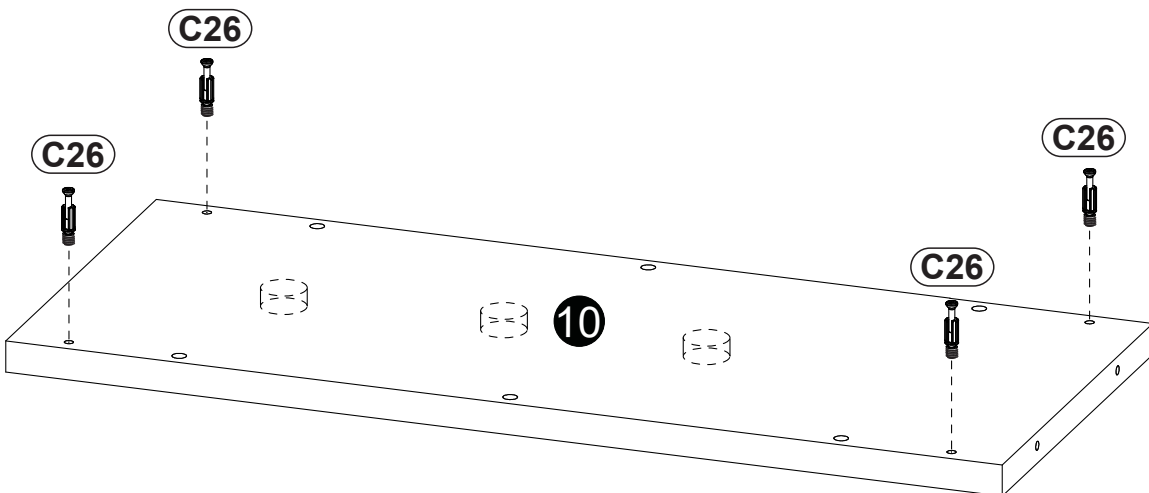
1



x2

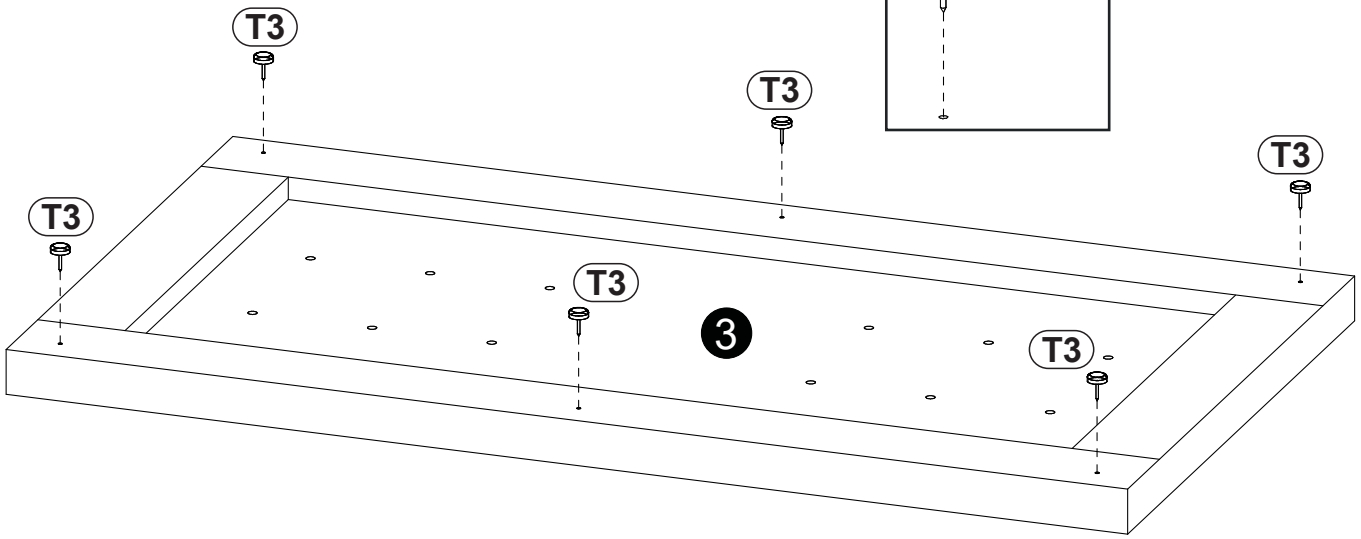
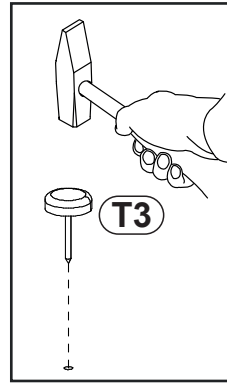
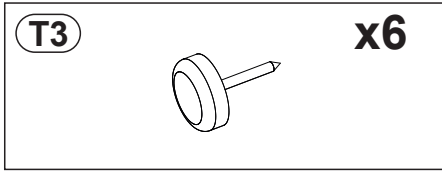


x2

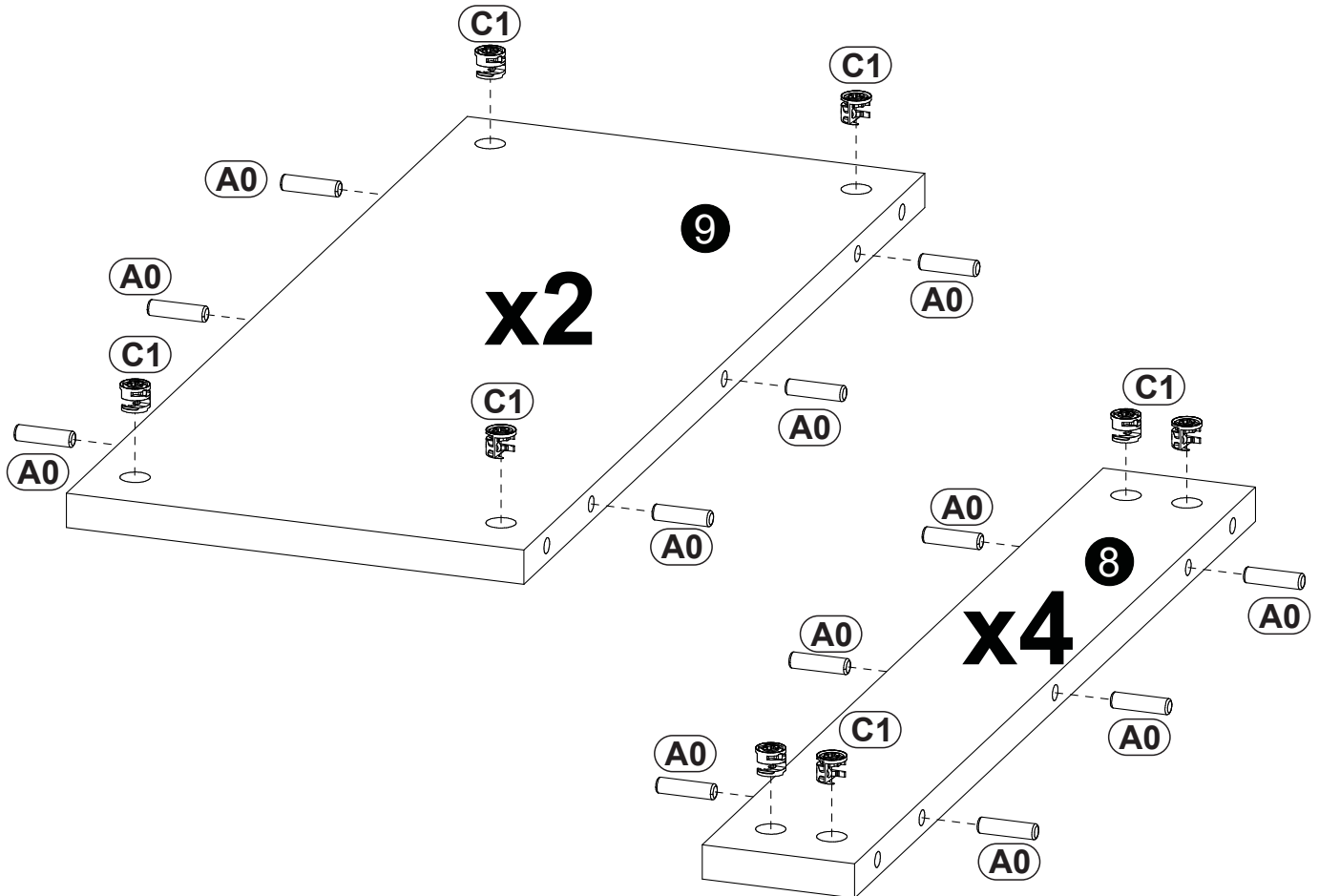
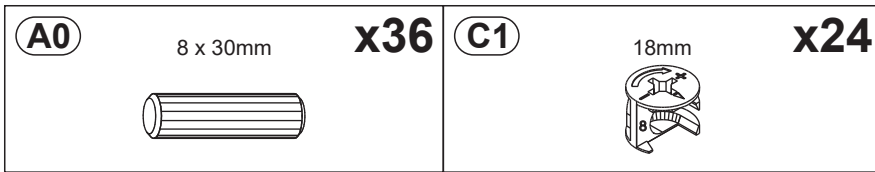


x2

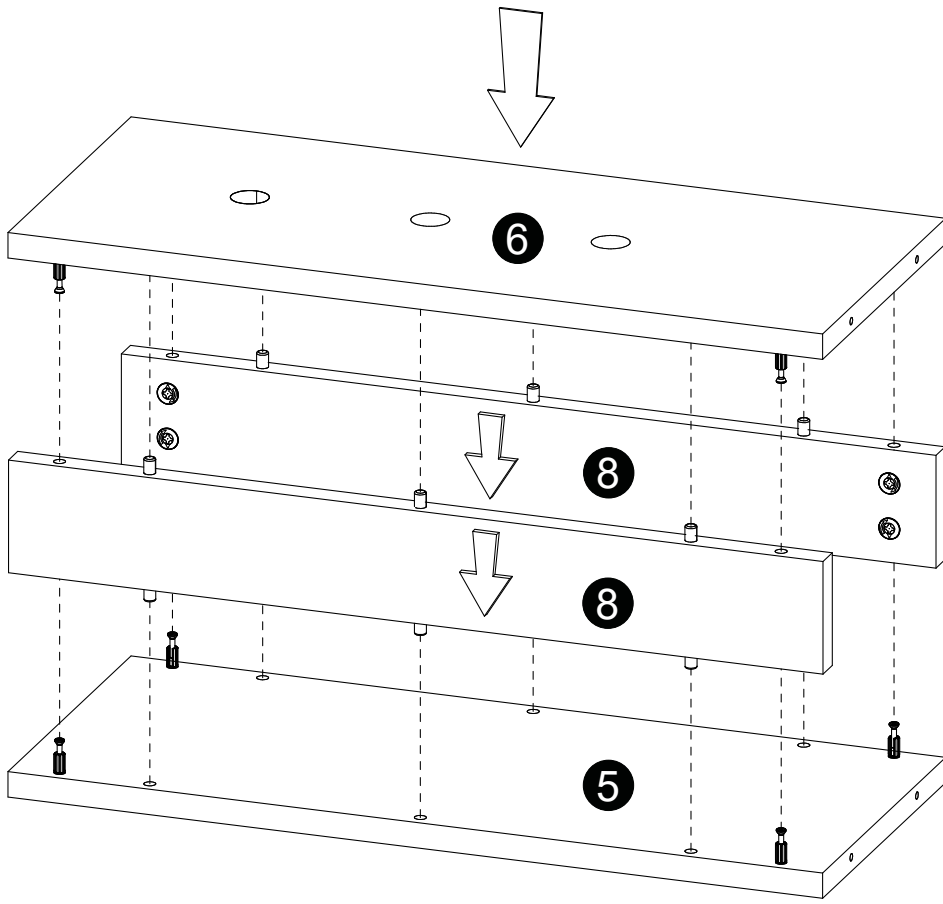
2



3

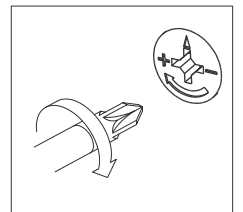
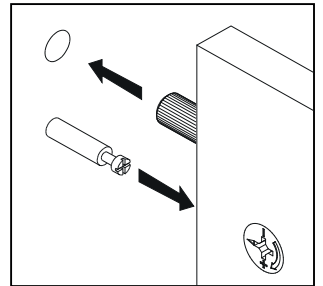
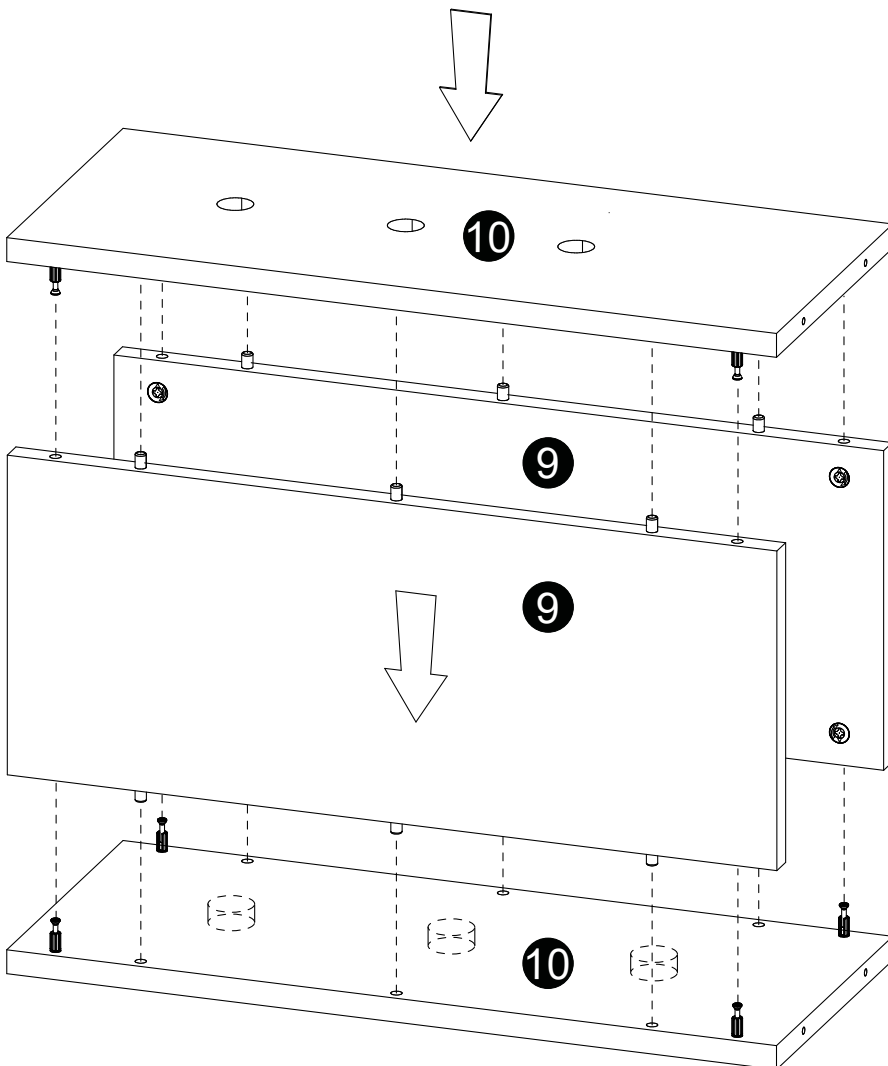


4

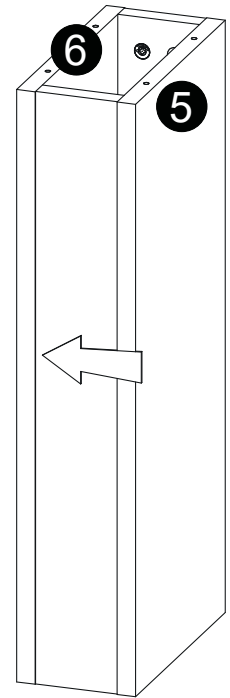
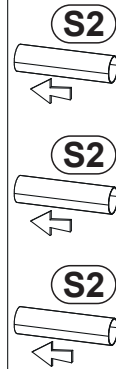
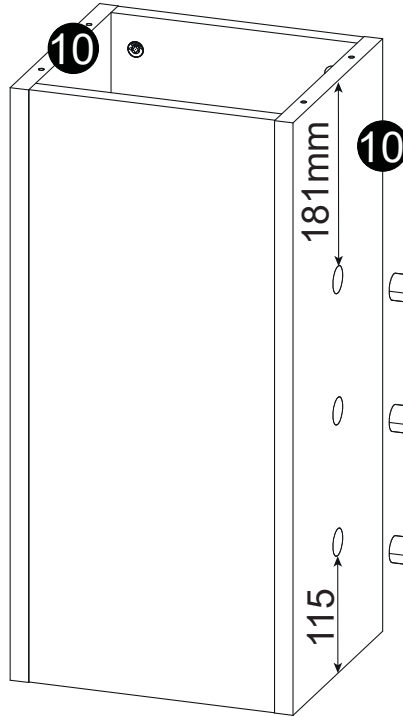
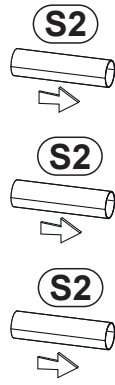
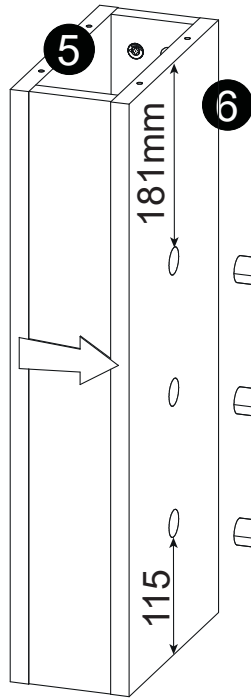
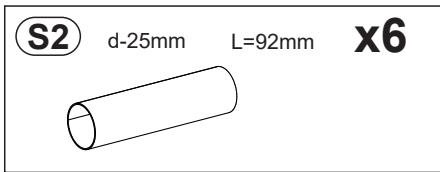


x2

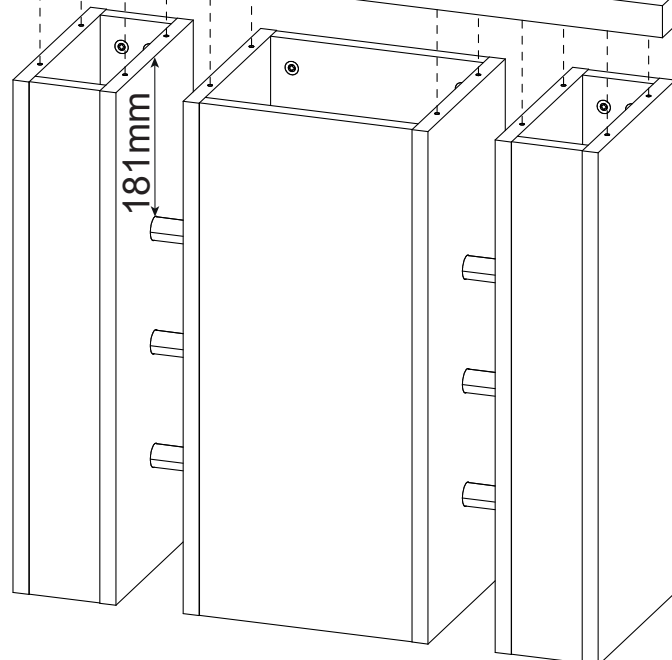
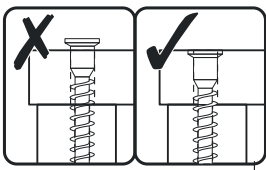
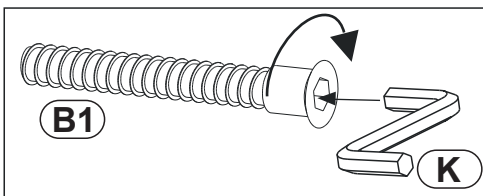
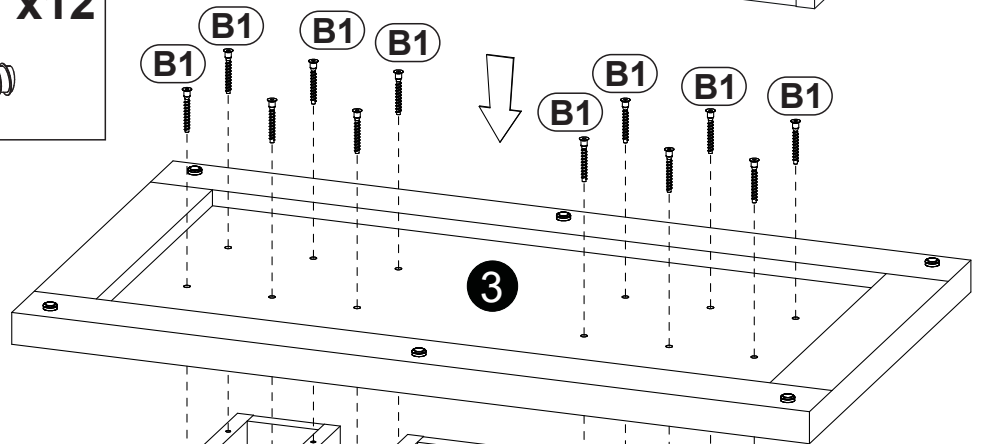
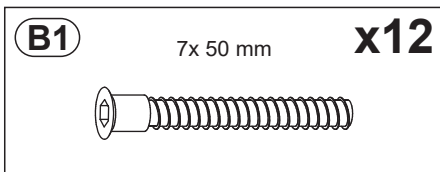
5



6

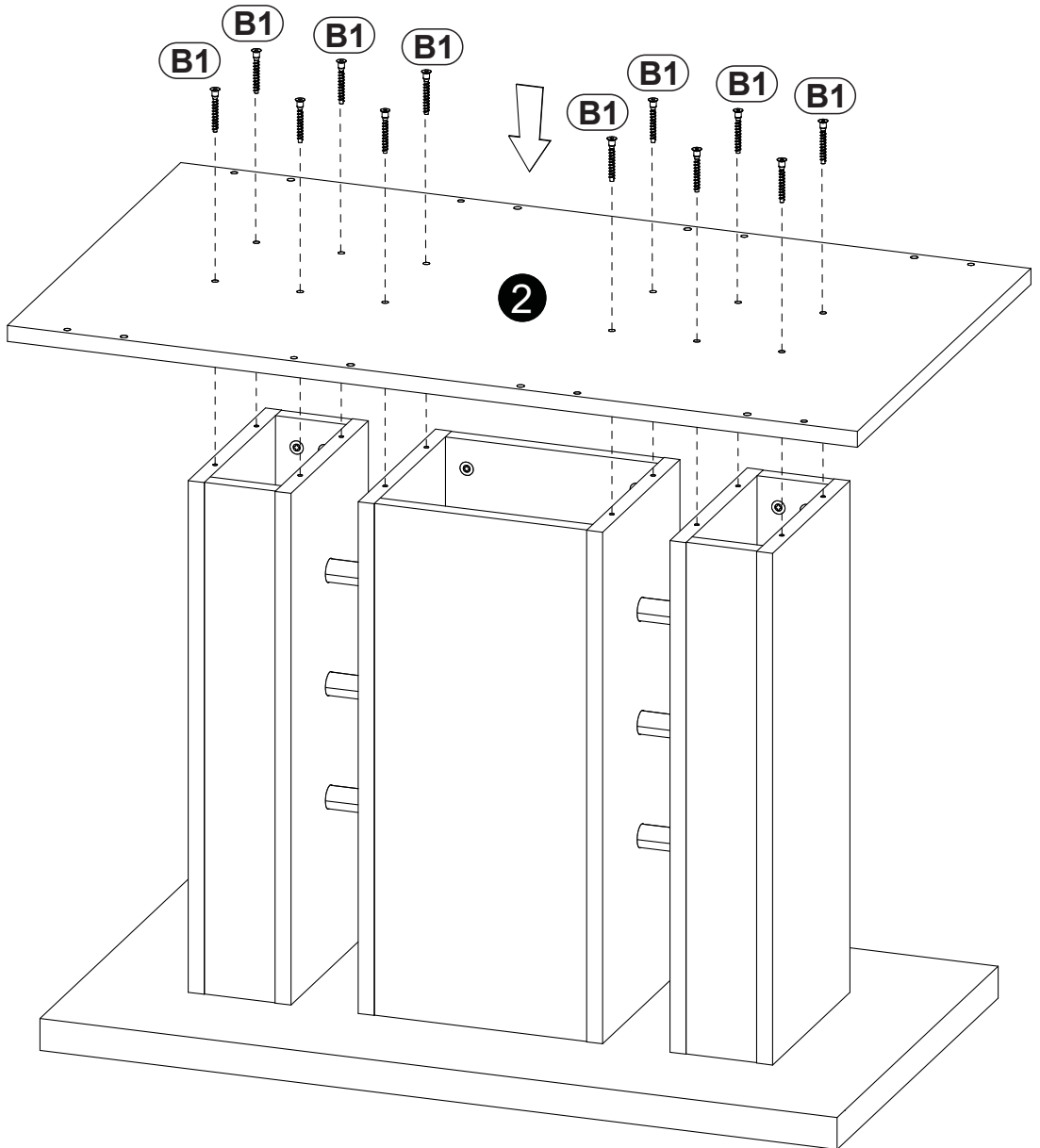
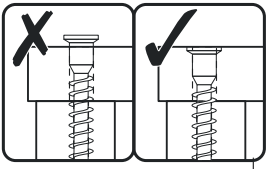
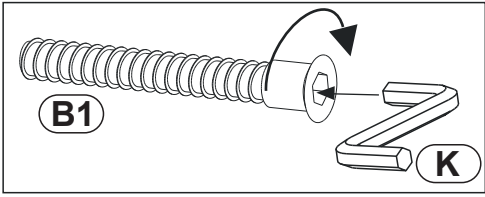
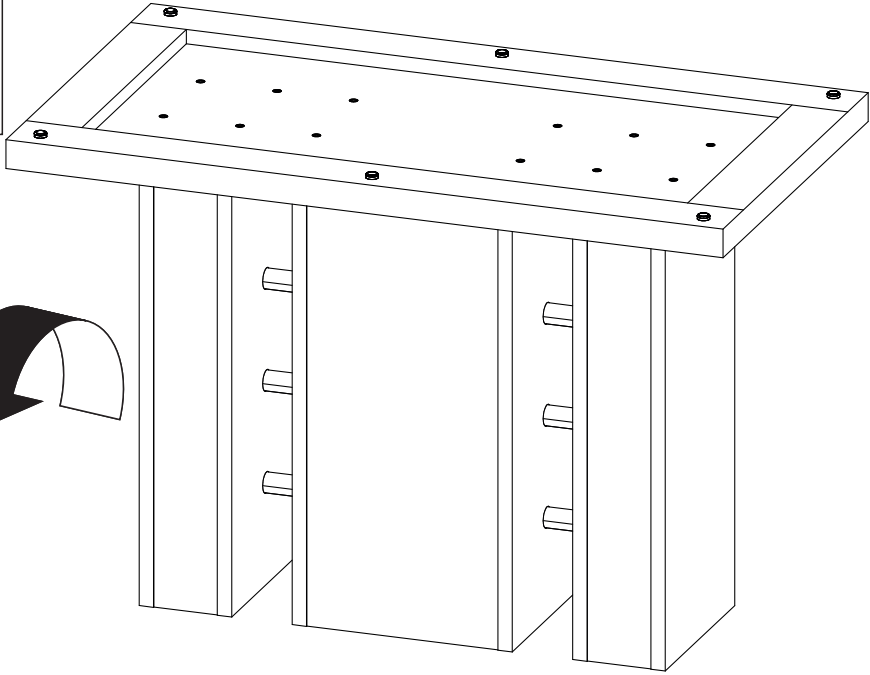
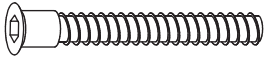


7

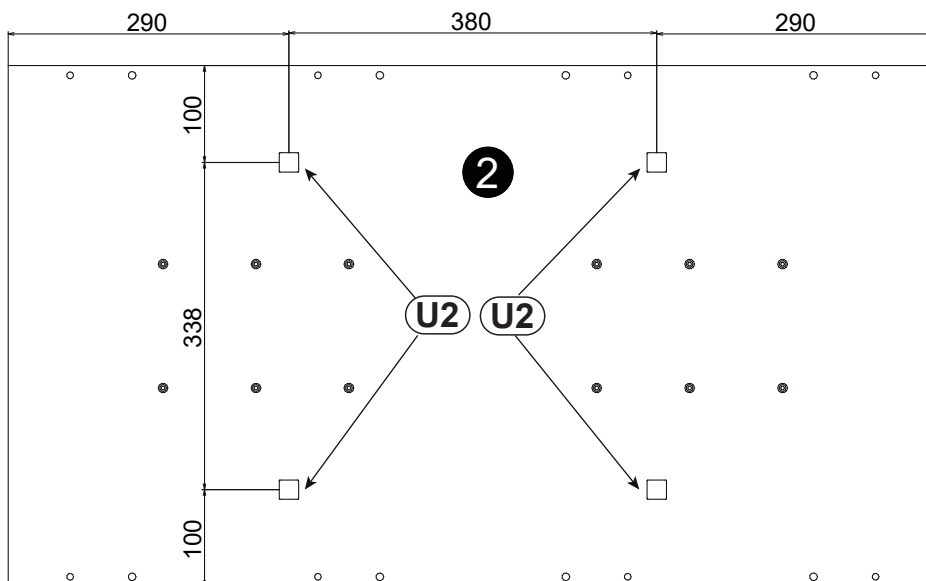
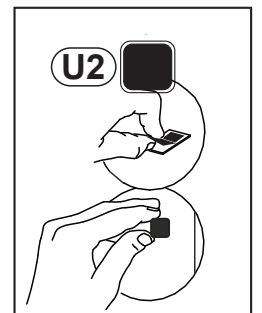
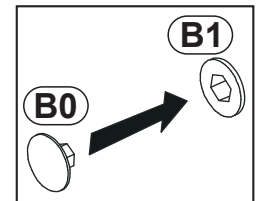
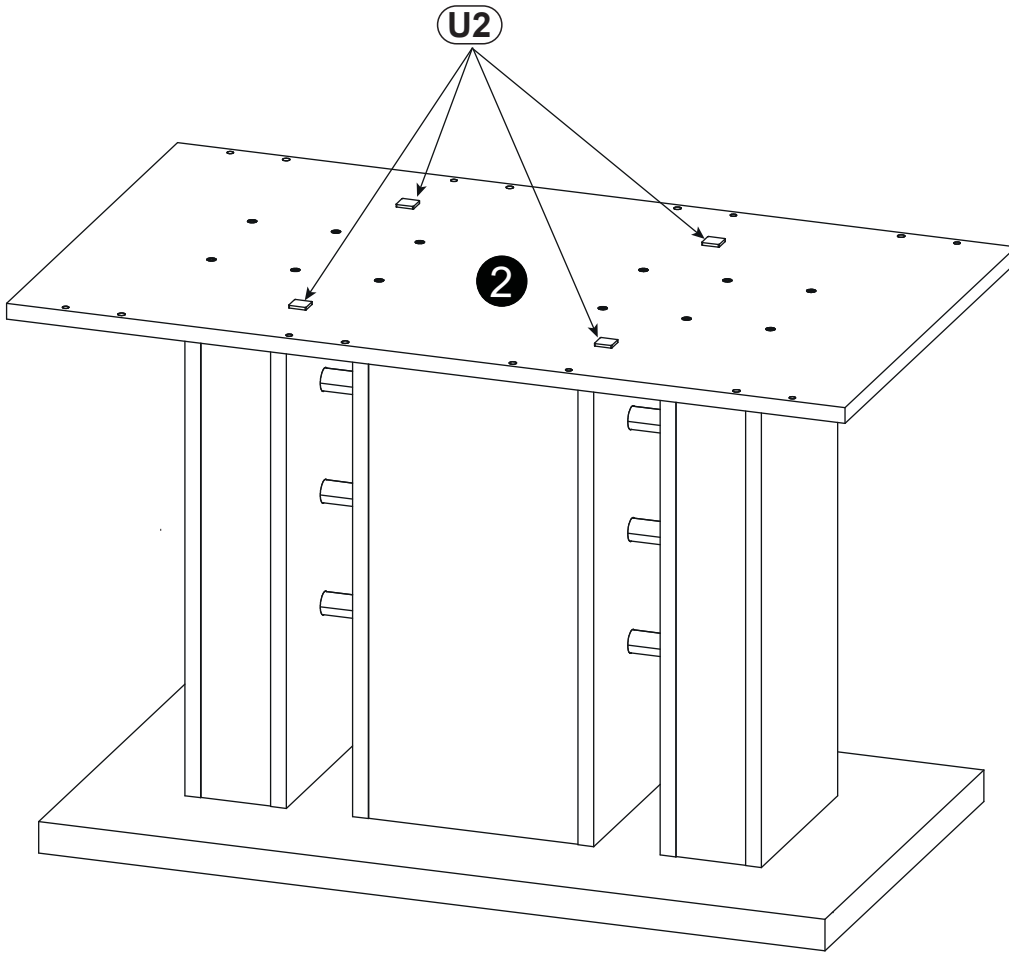
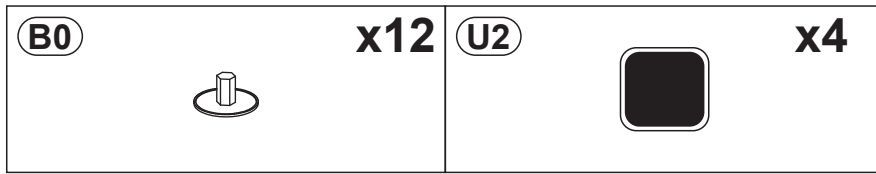


8

B1 7x 50 mm **x12**

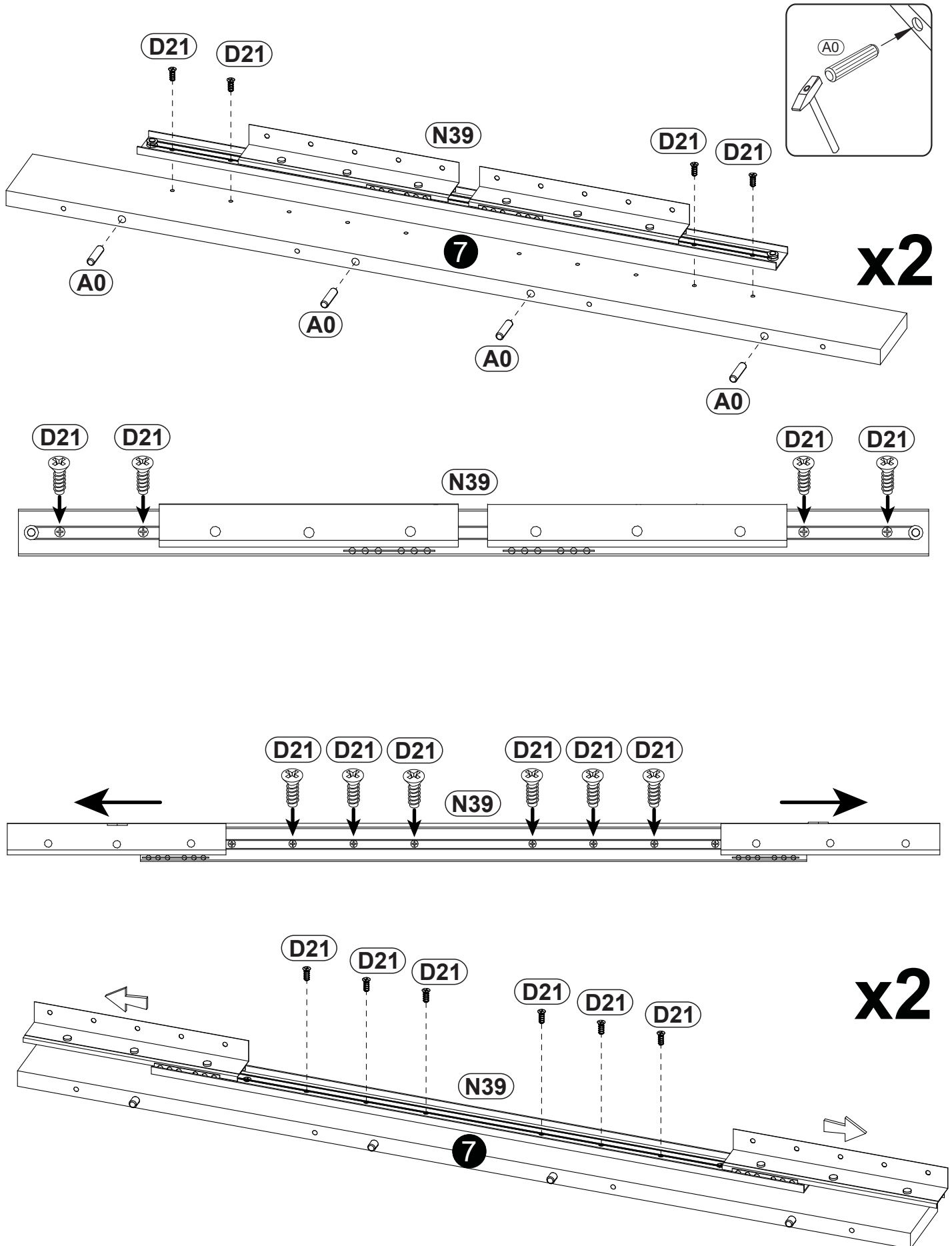


9

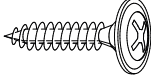
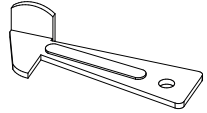
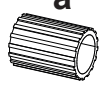
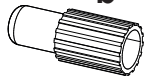


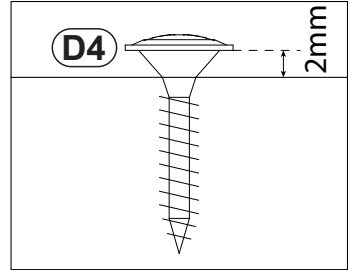
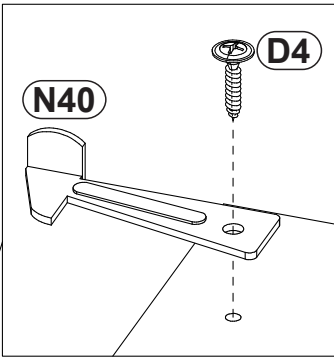
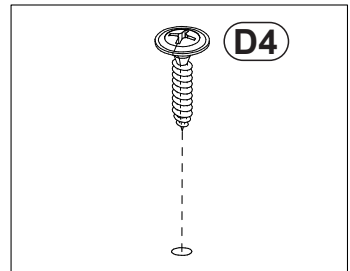
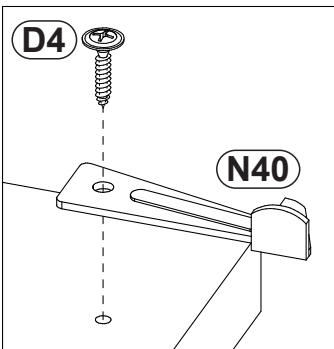
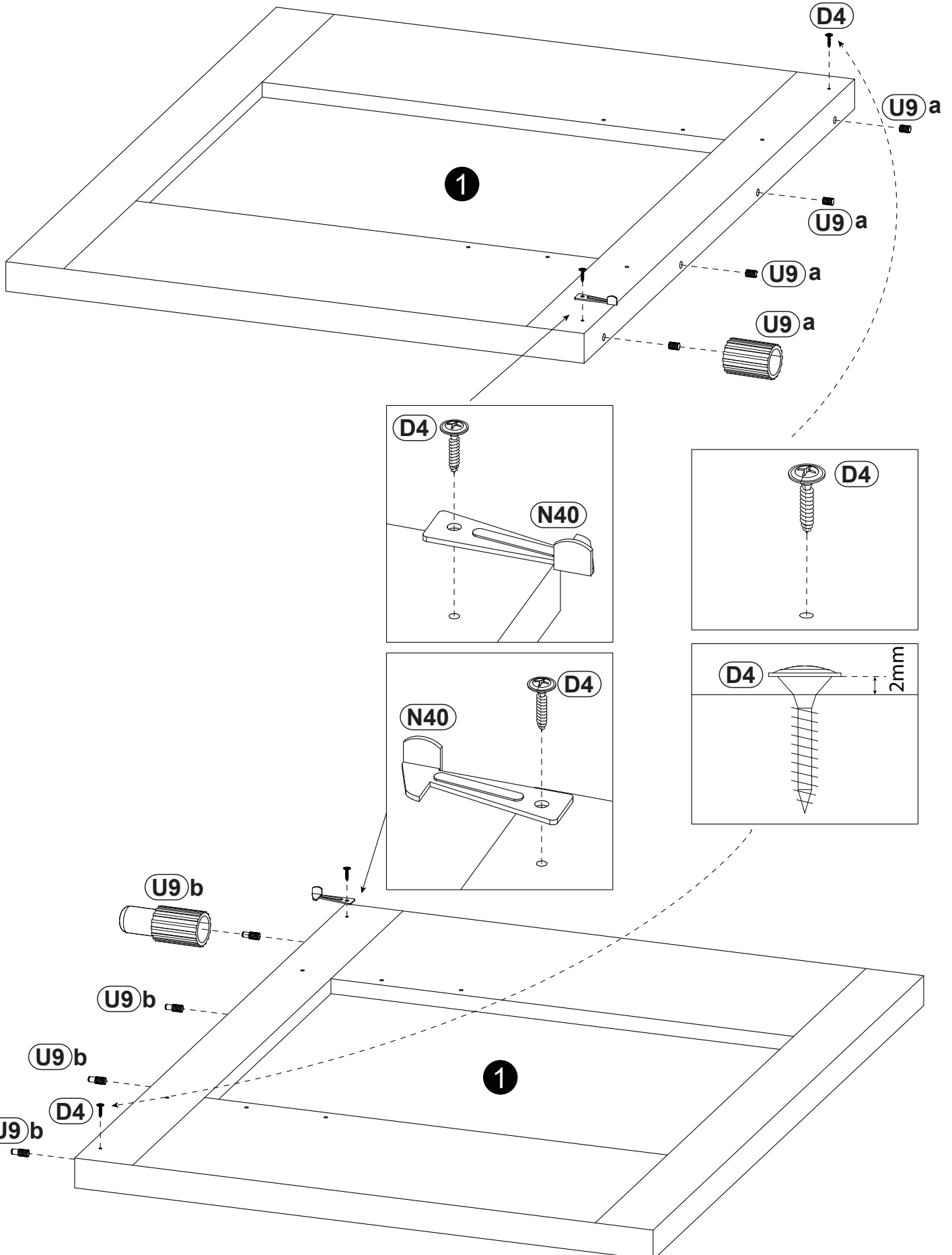
10

A0	8 x 30mm	x8	N39	L-700	x1	D21	5 x 13 mm	x20
-----------	----------	-----------	------------	-------	-----------	------------	-----------	------------

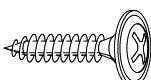
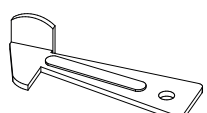
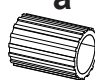
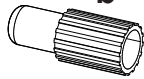


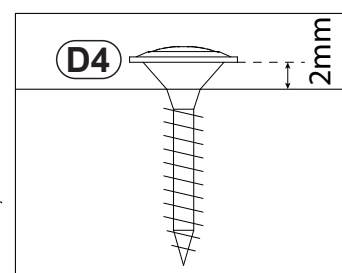
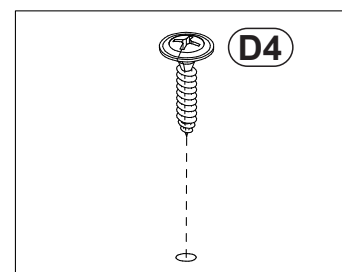
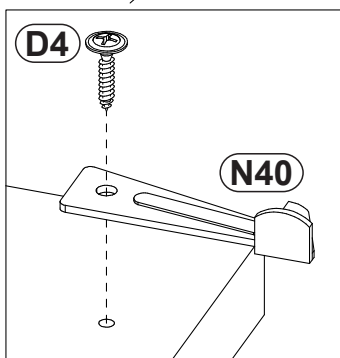
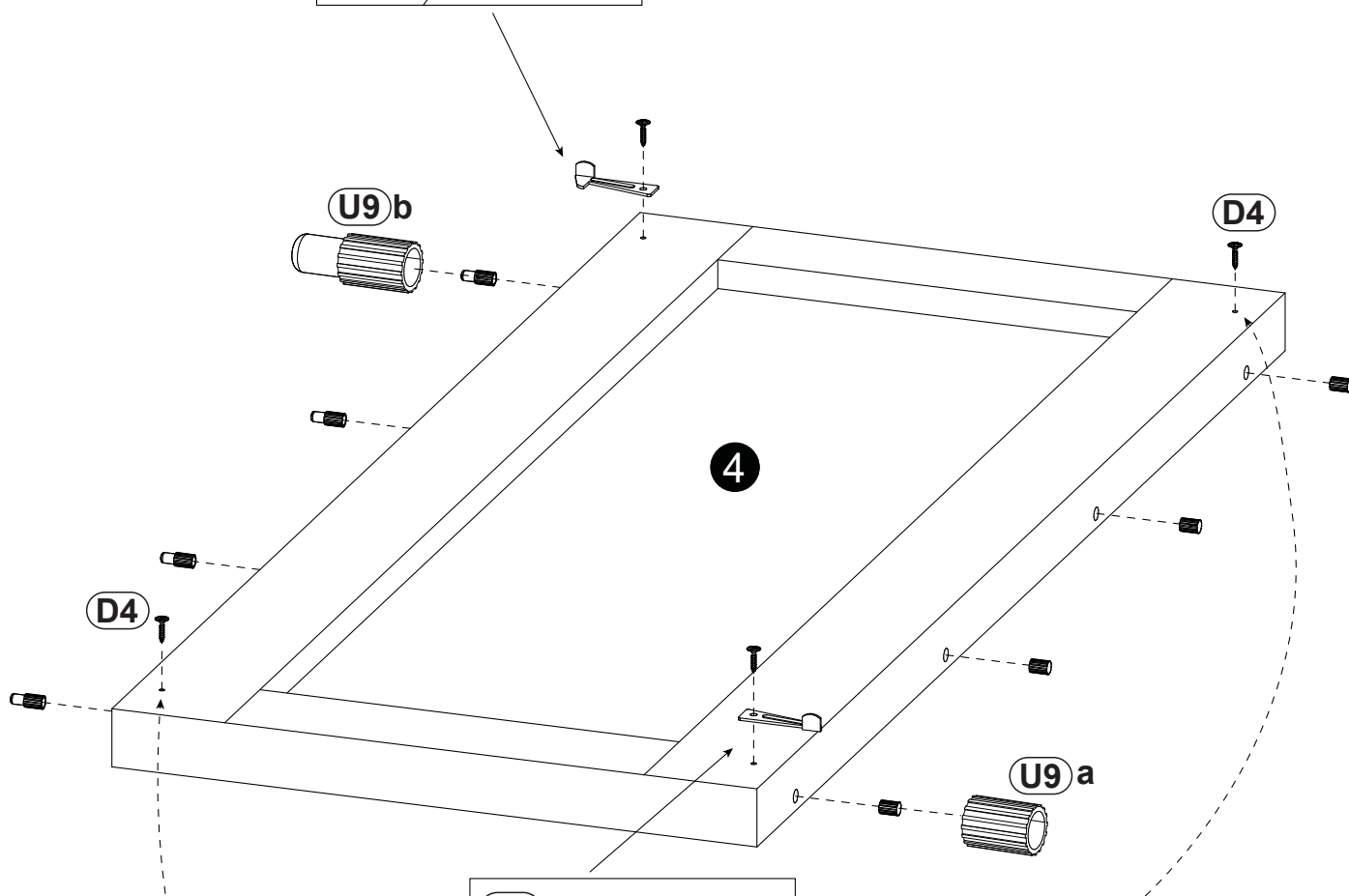
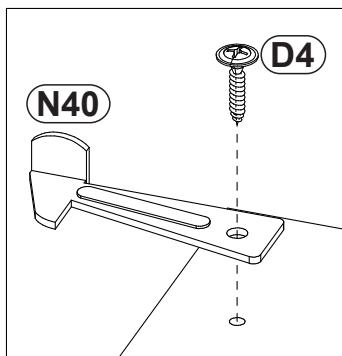
11

D4 3,5 x 16 mm 	x4	N40 	x2	U9 a  b 	x4
---	-----------	---	-----------	--	-----------

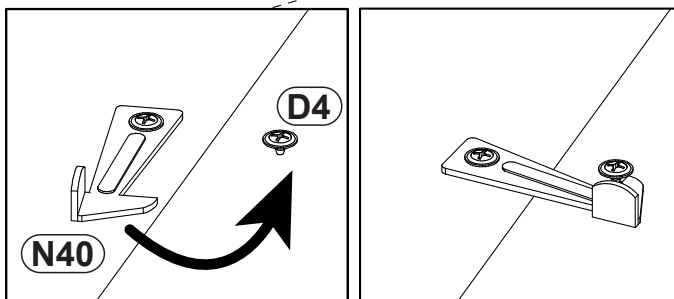
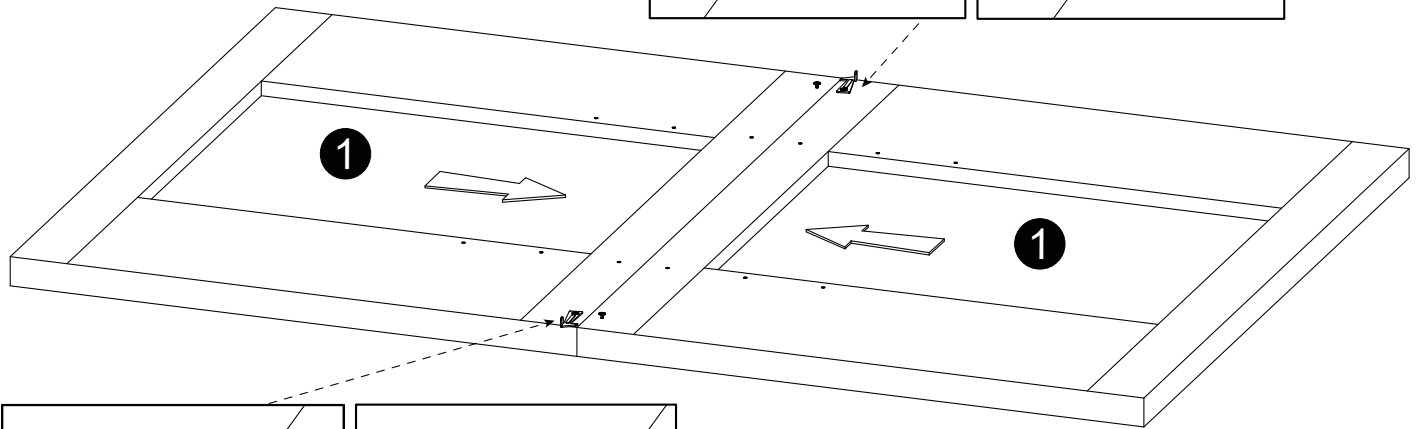
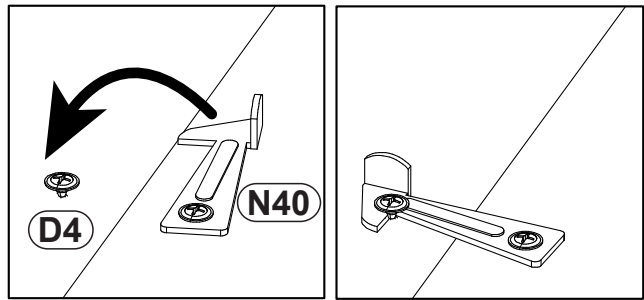
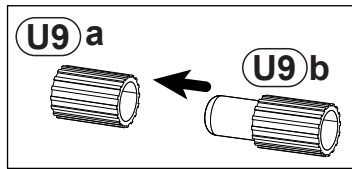


12

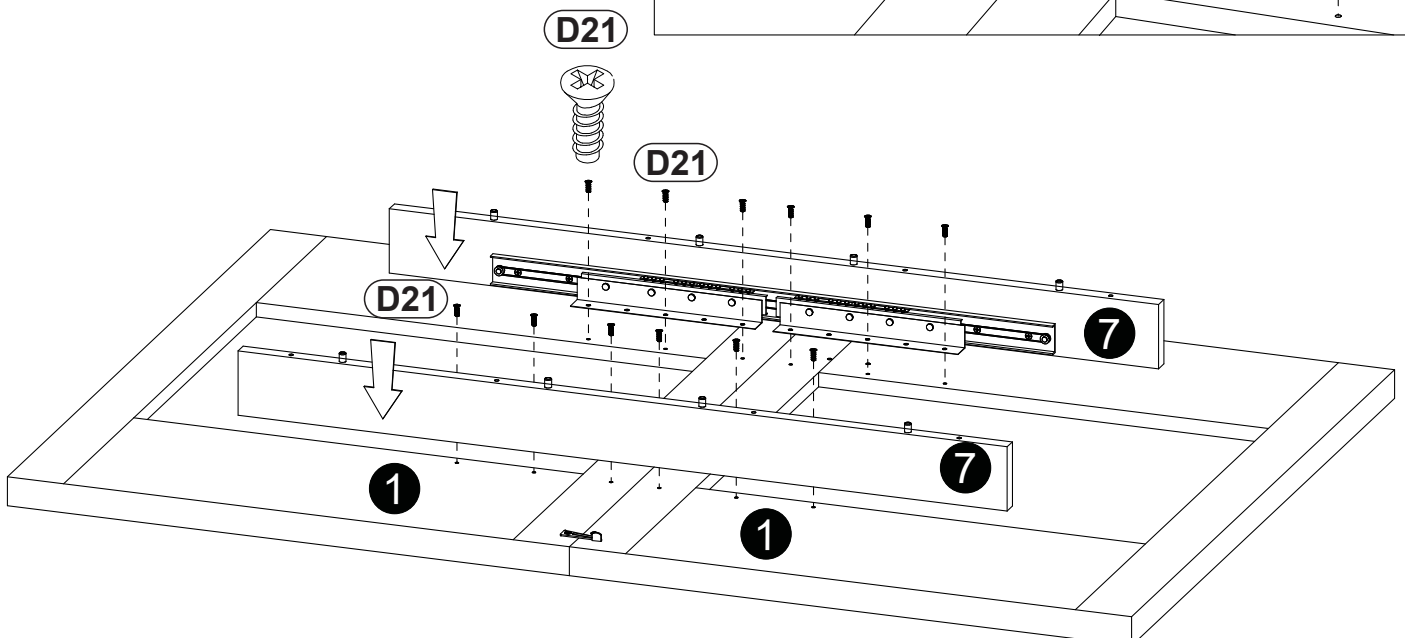
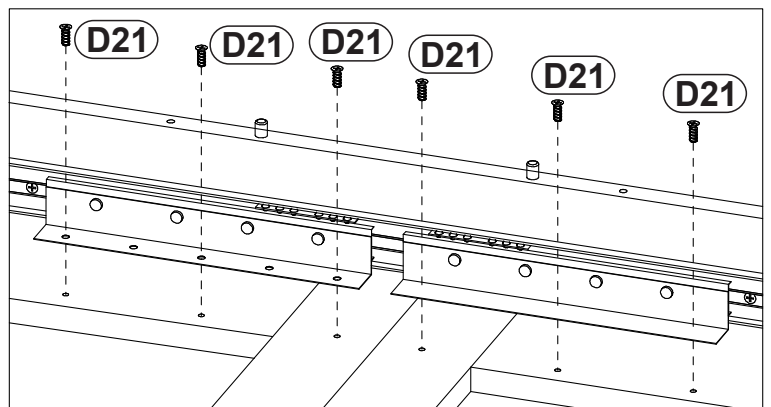
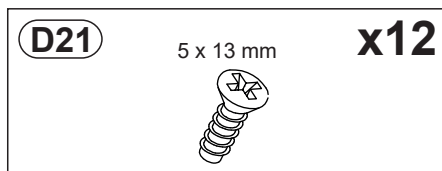
D4 3,5 x 16 mm 	x4	N40 	x2	U9 a  b 	x4
---	-----------	---	-----------	--	-----------



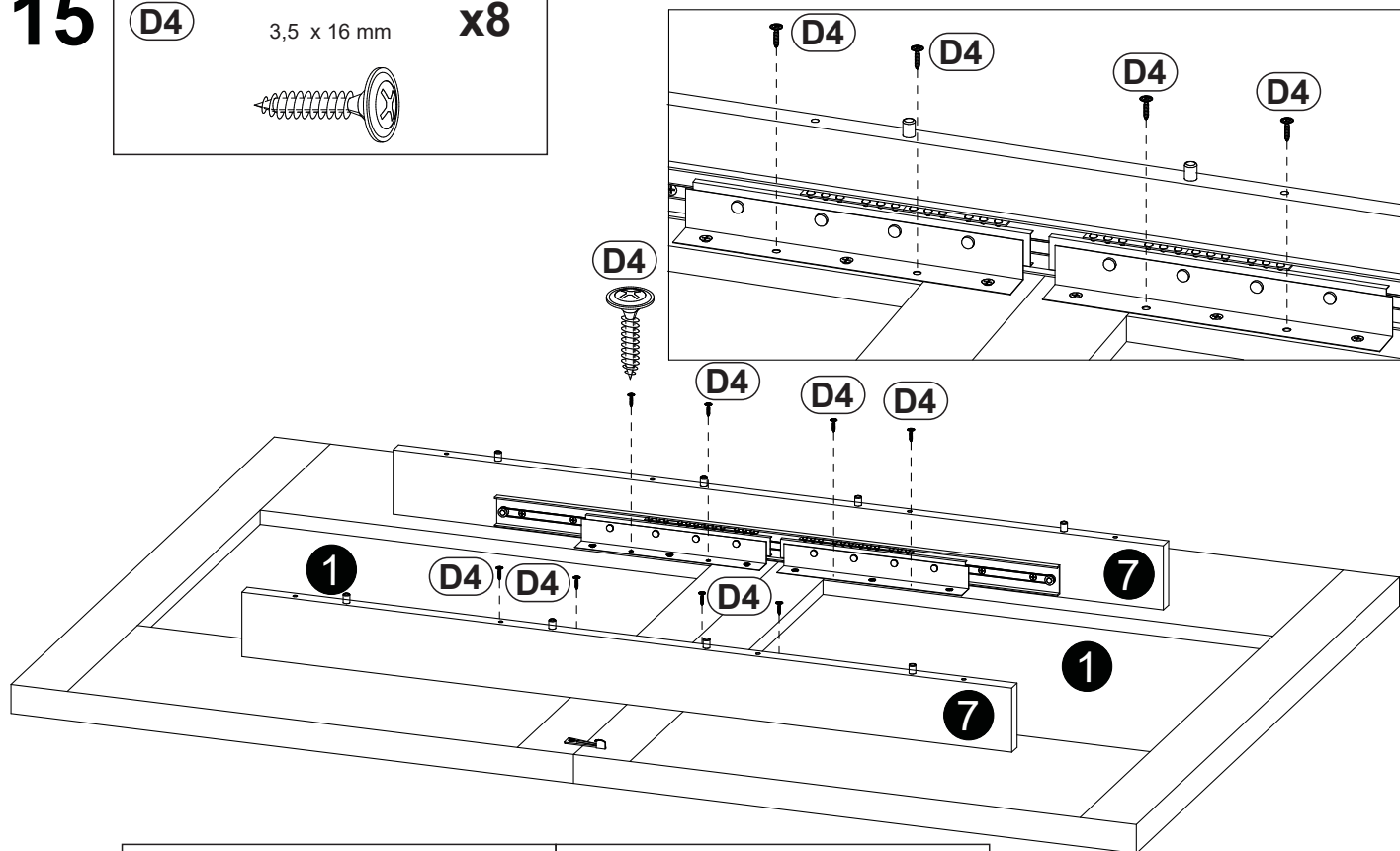
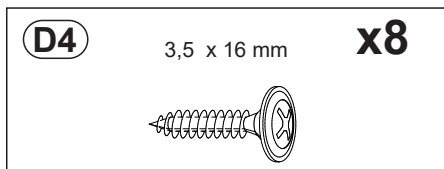
13



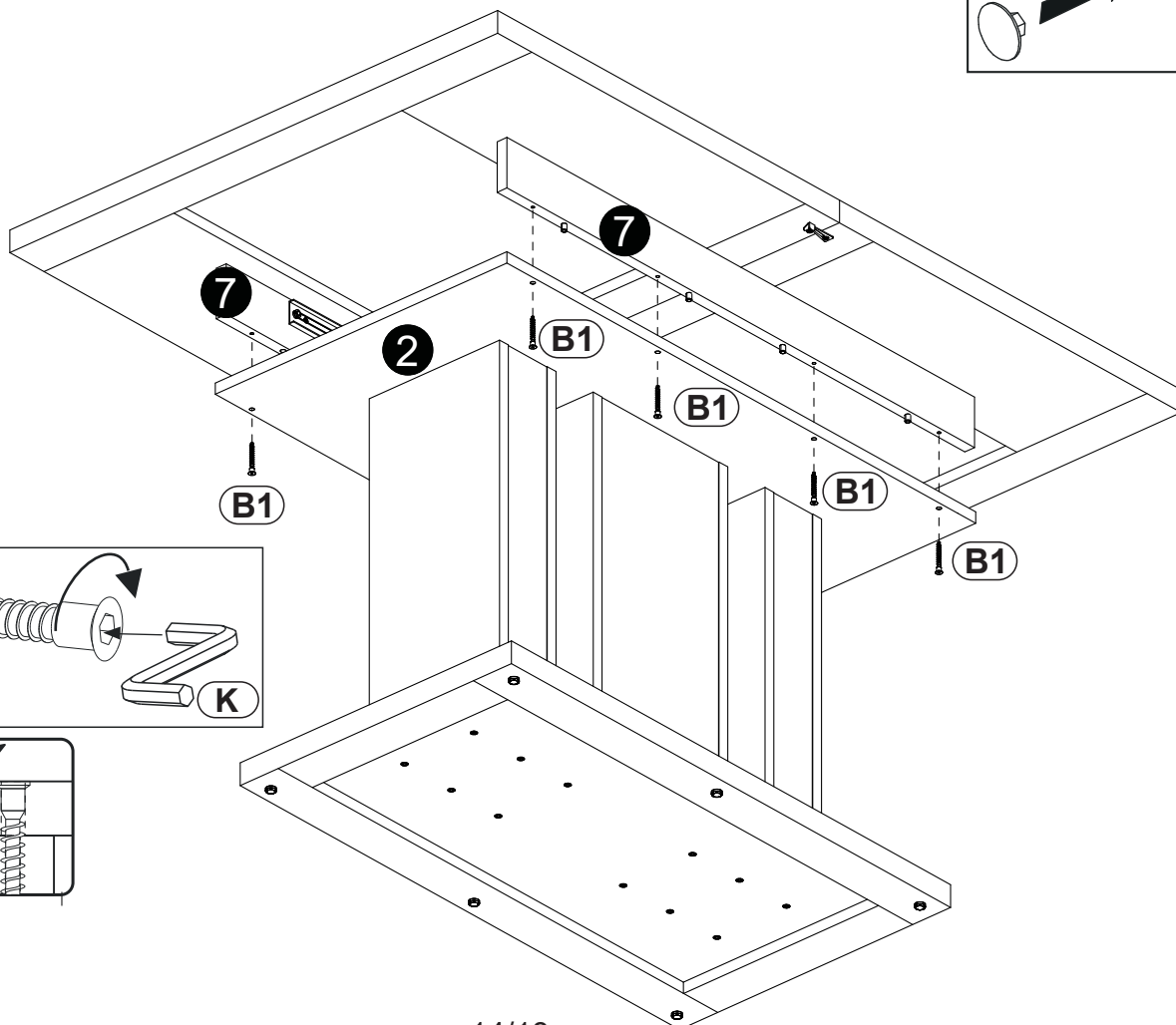
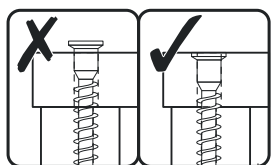
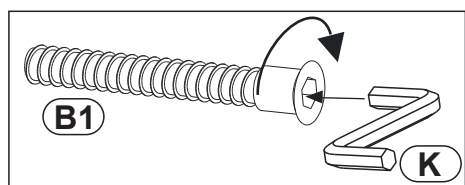
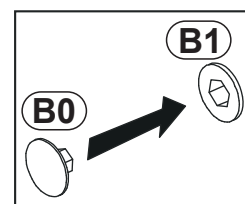
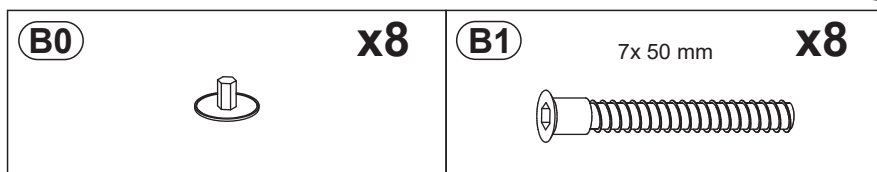
14



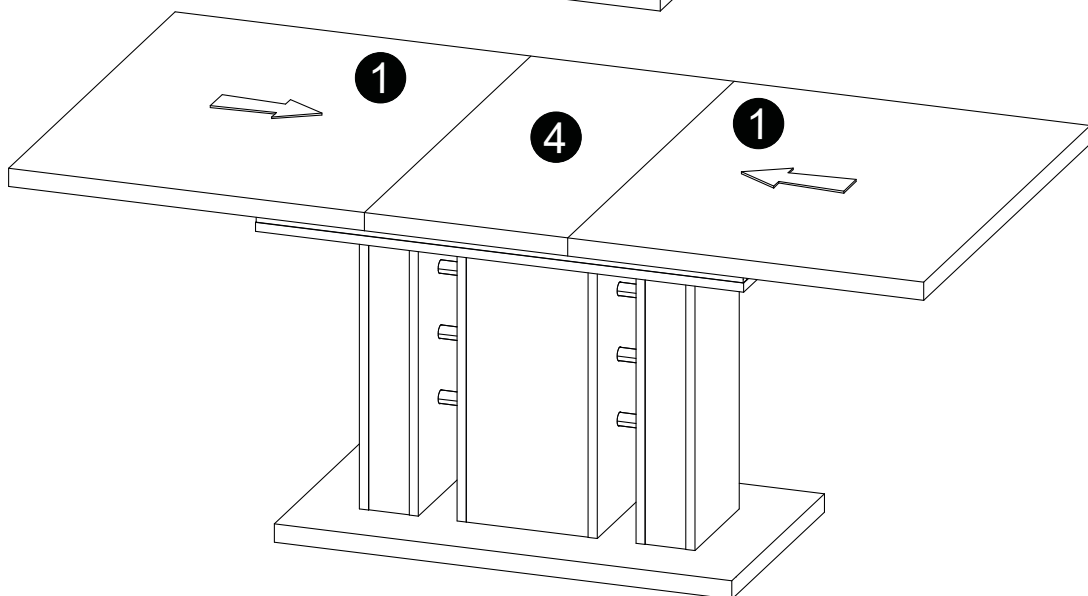
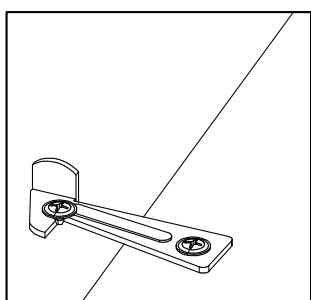
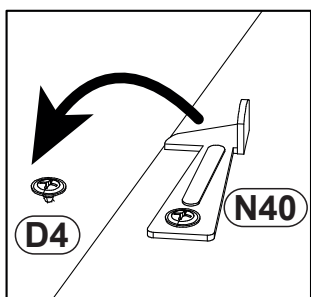
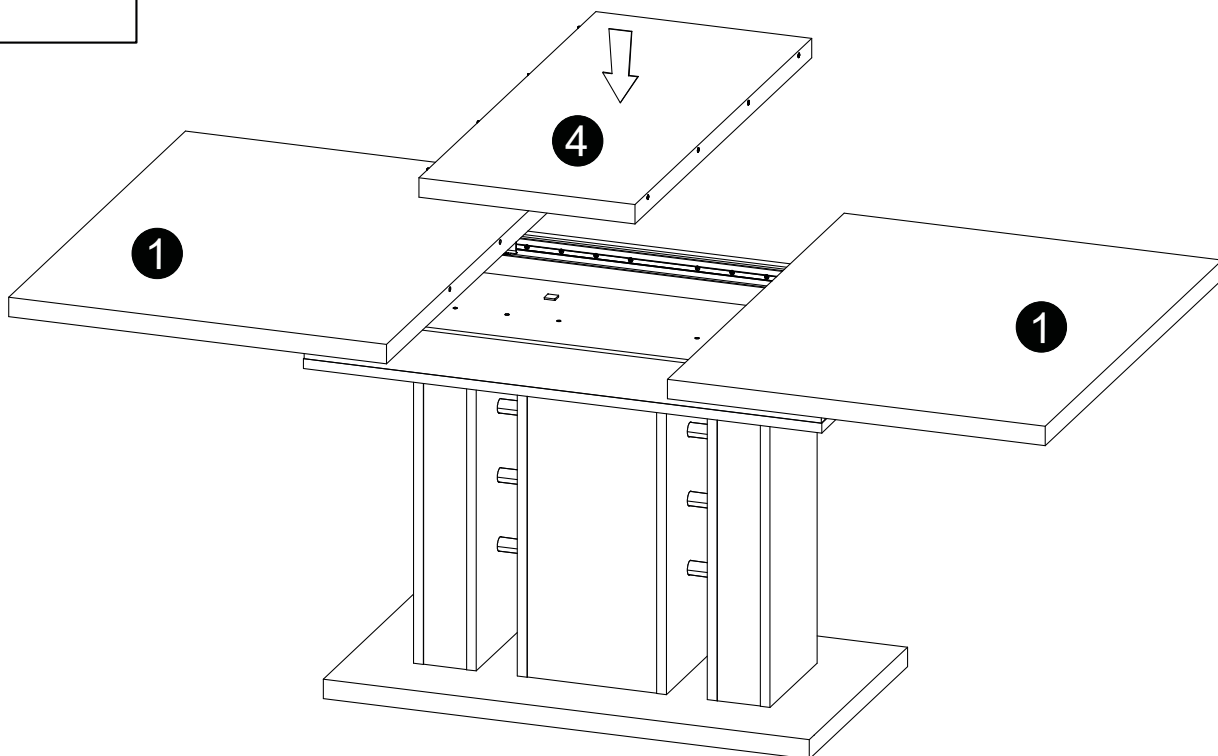
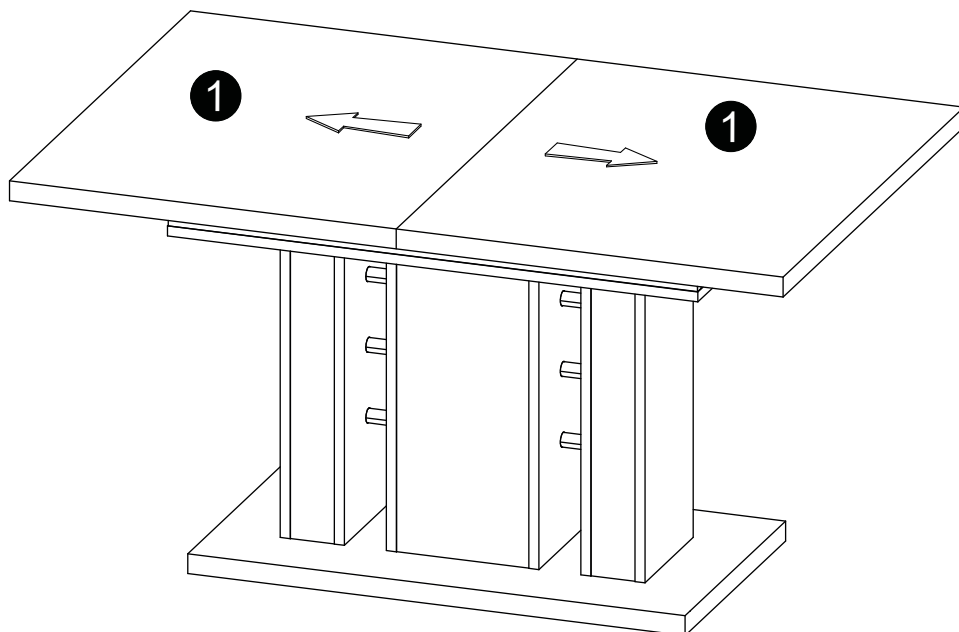
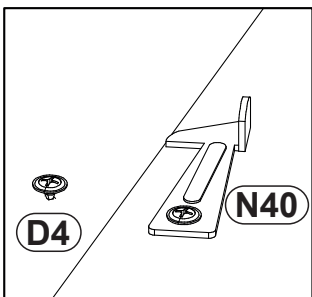
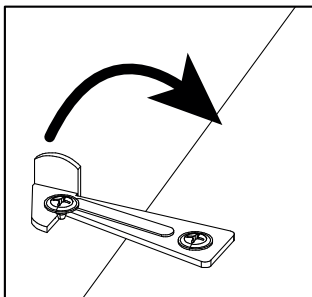
15



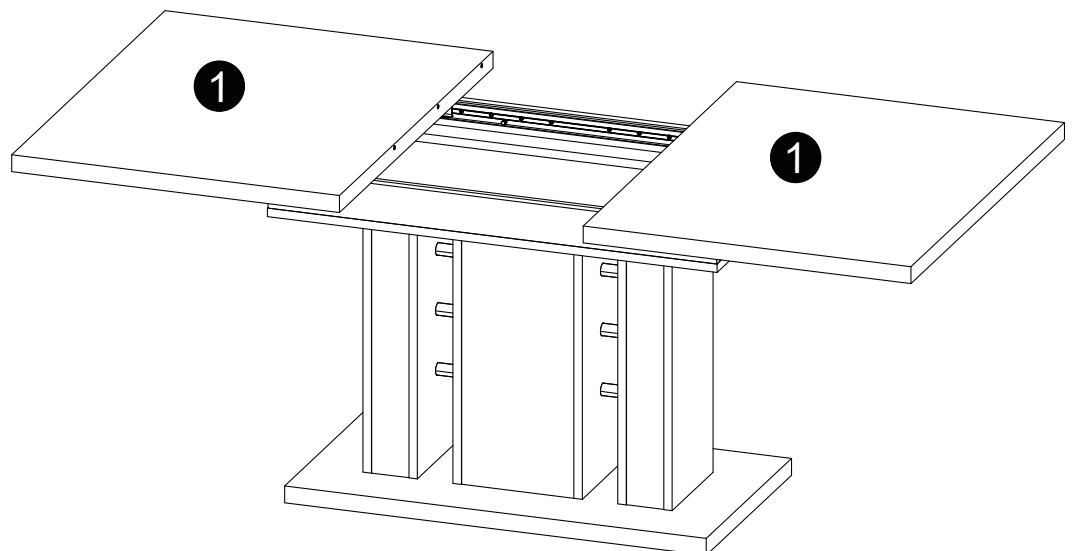
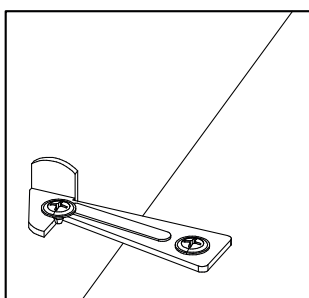
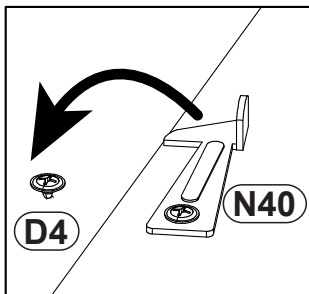
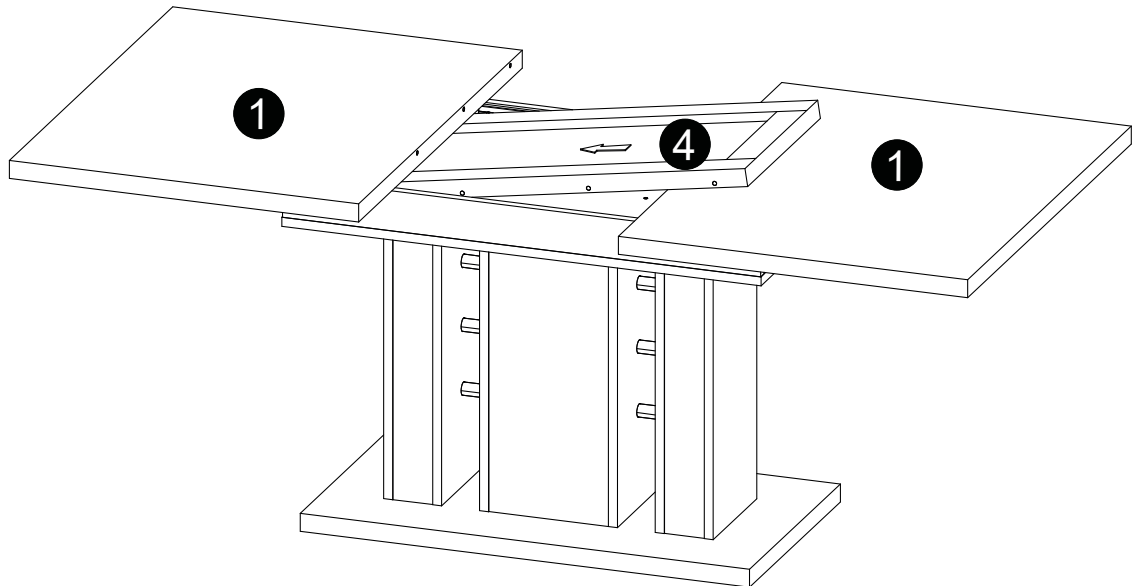
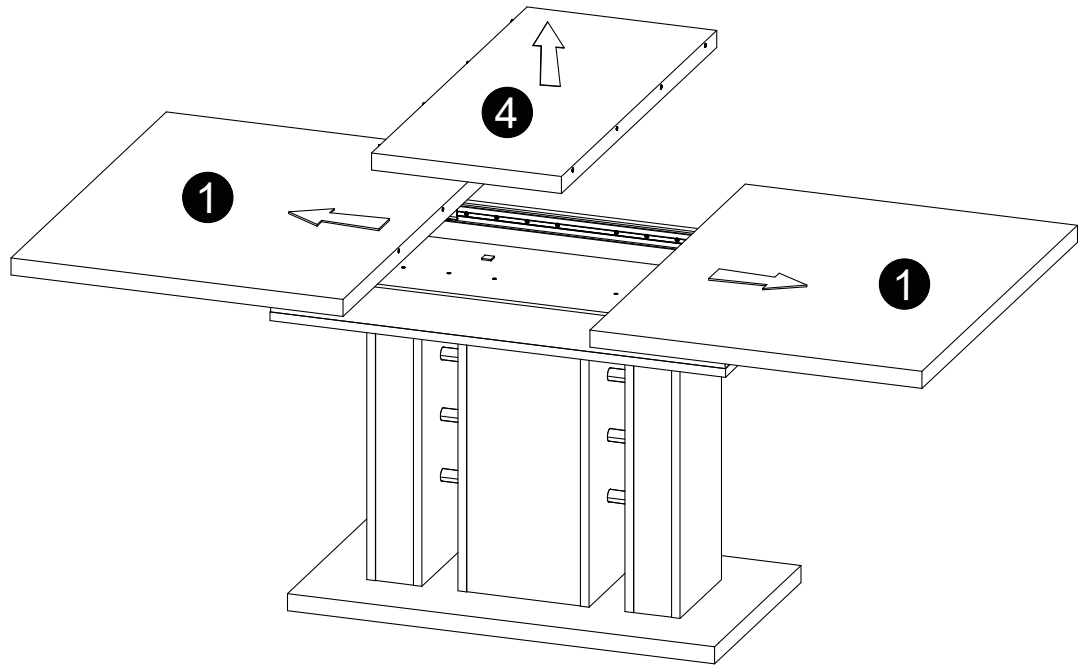
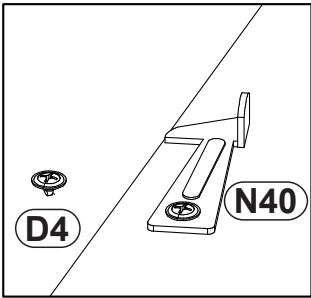
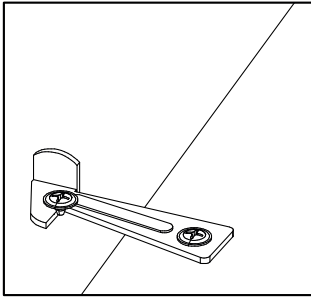
16



17



18



19

LOGO... x1

