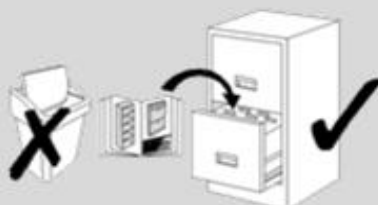
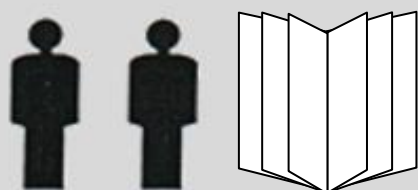
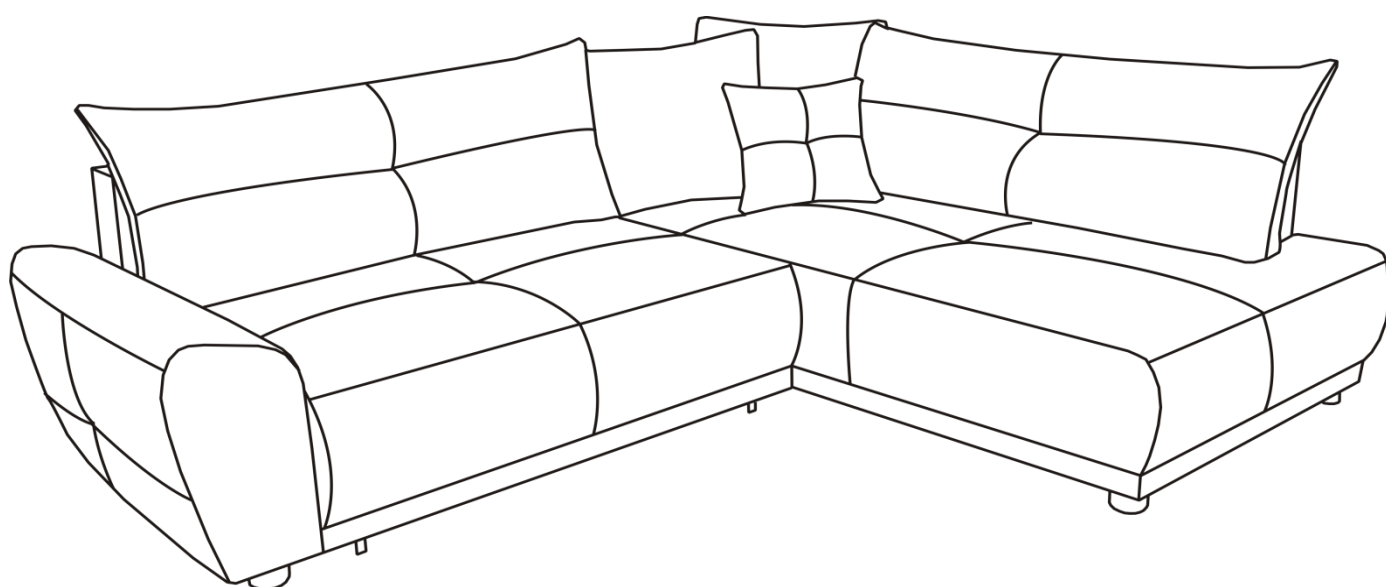
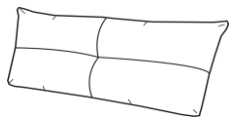


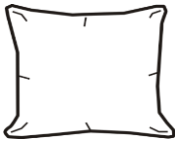
CEYLON 2FBAL-RECR

Art.Nr. 02150005-01

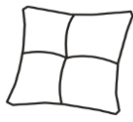




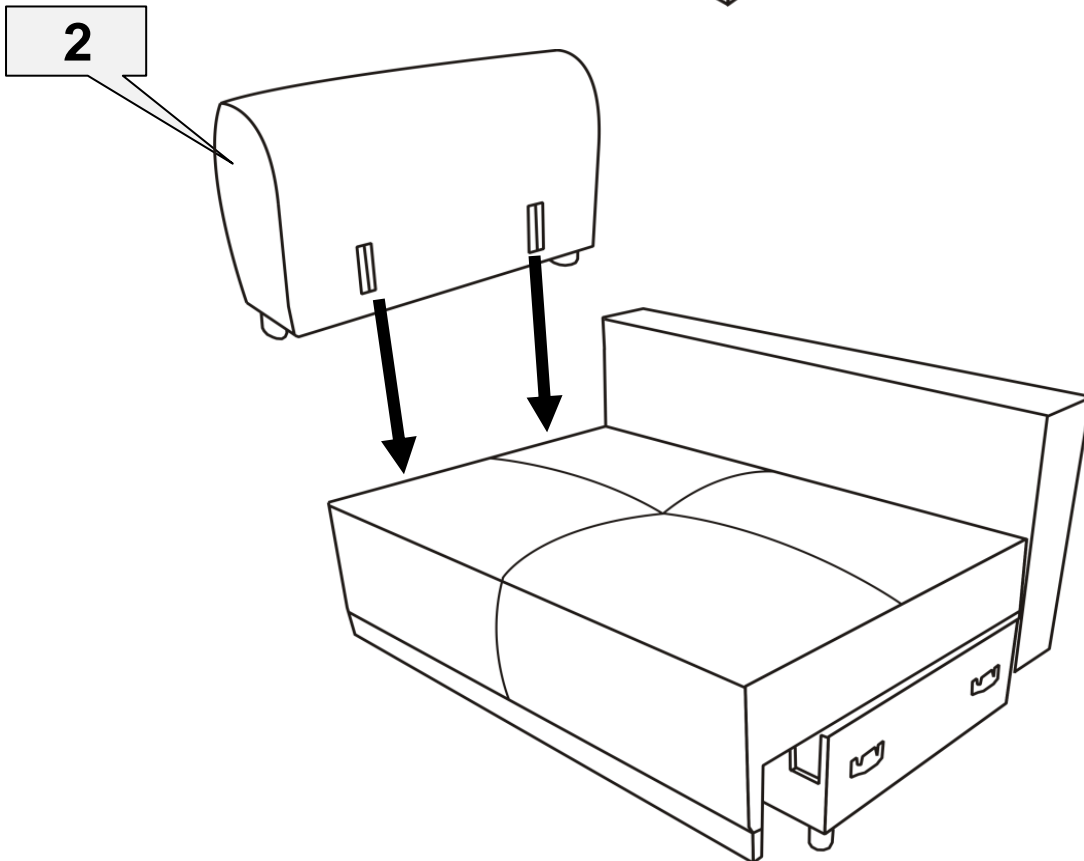
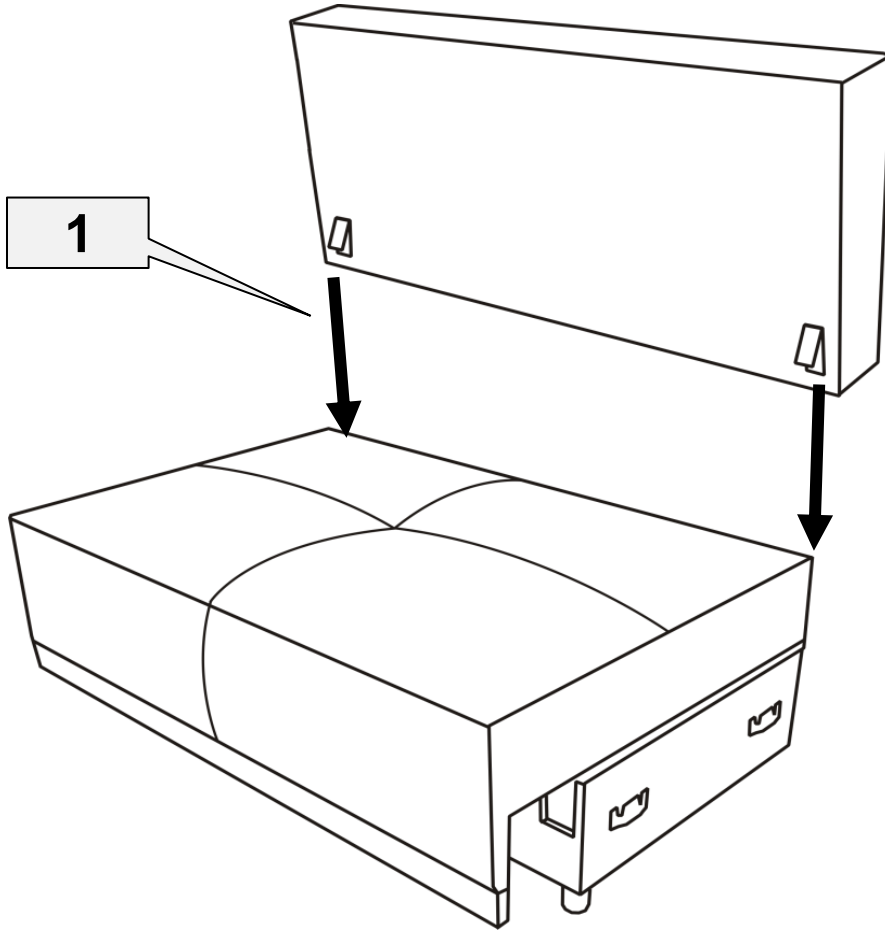
x2

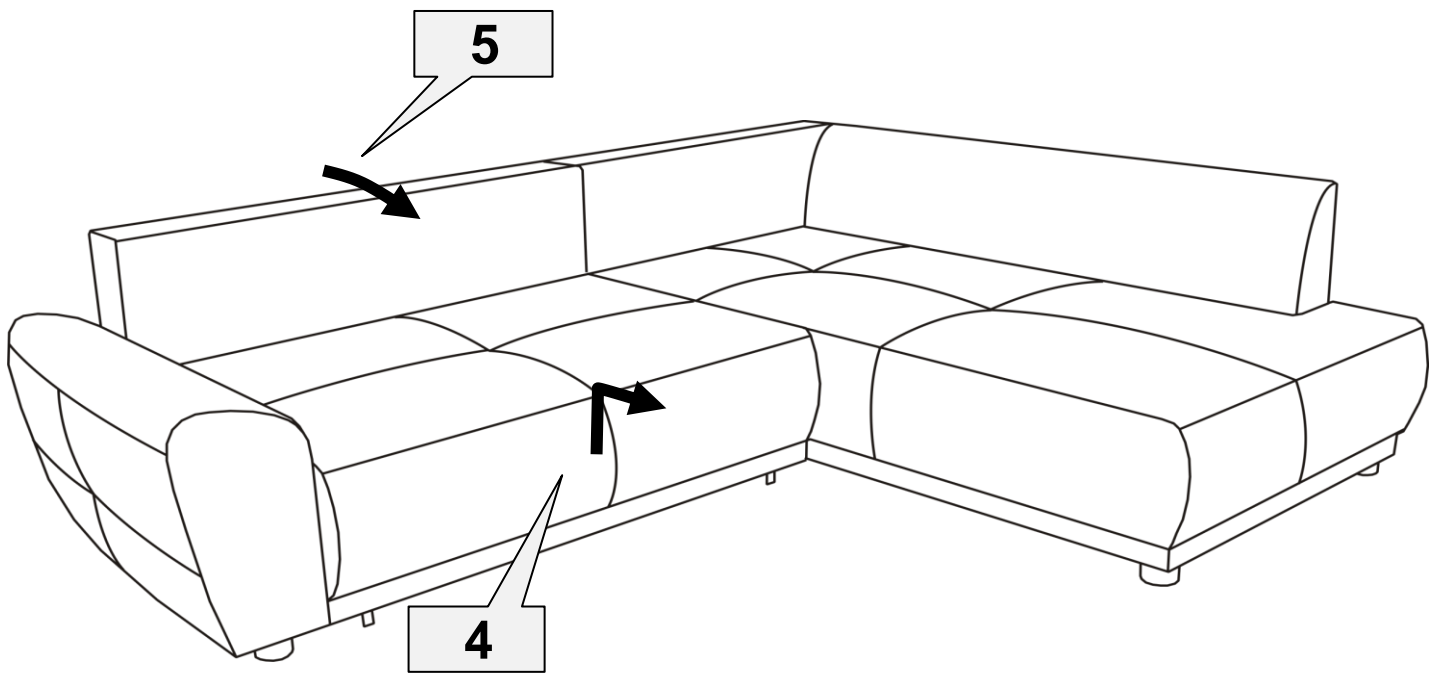
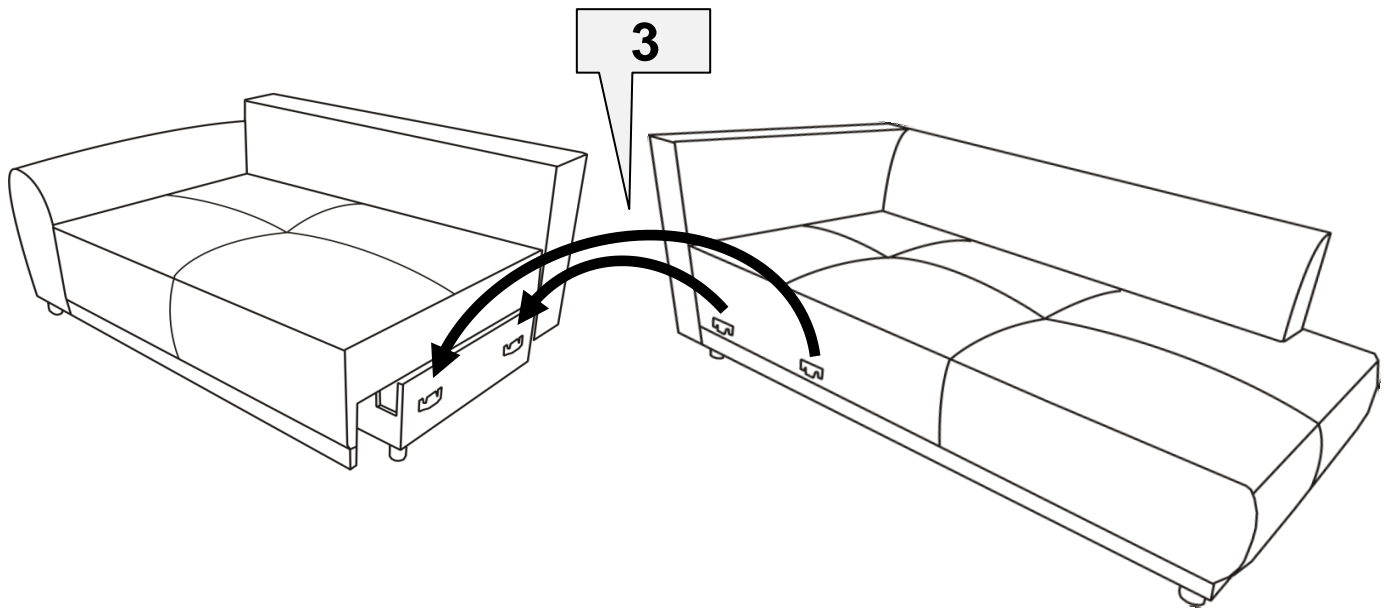


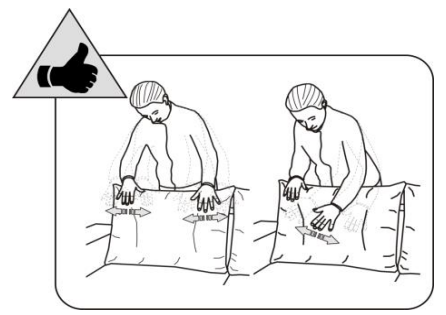
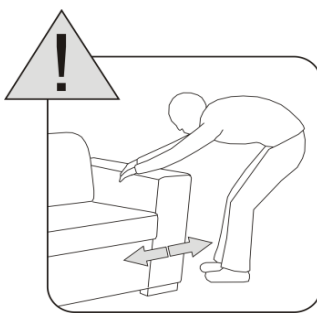
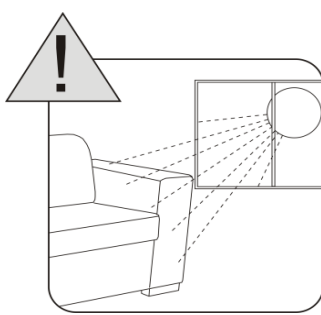
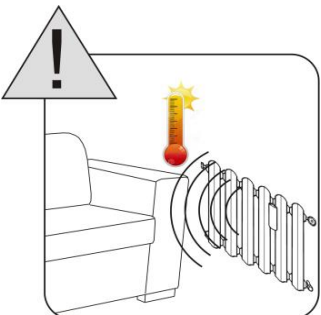
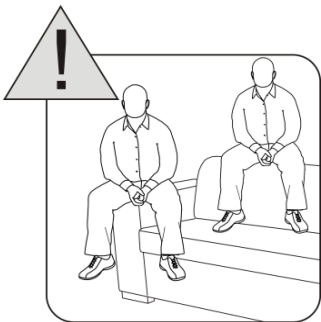
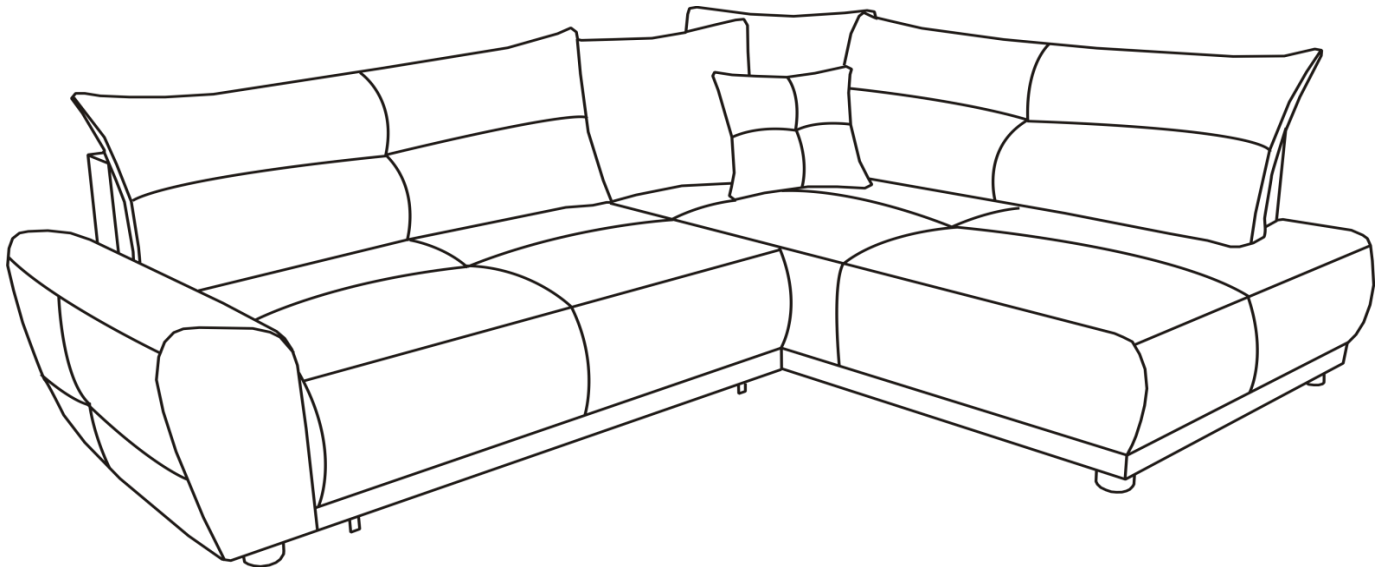
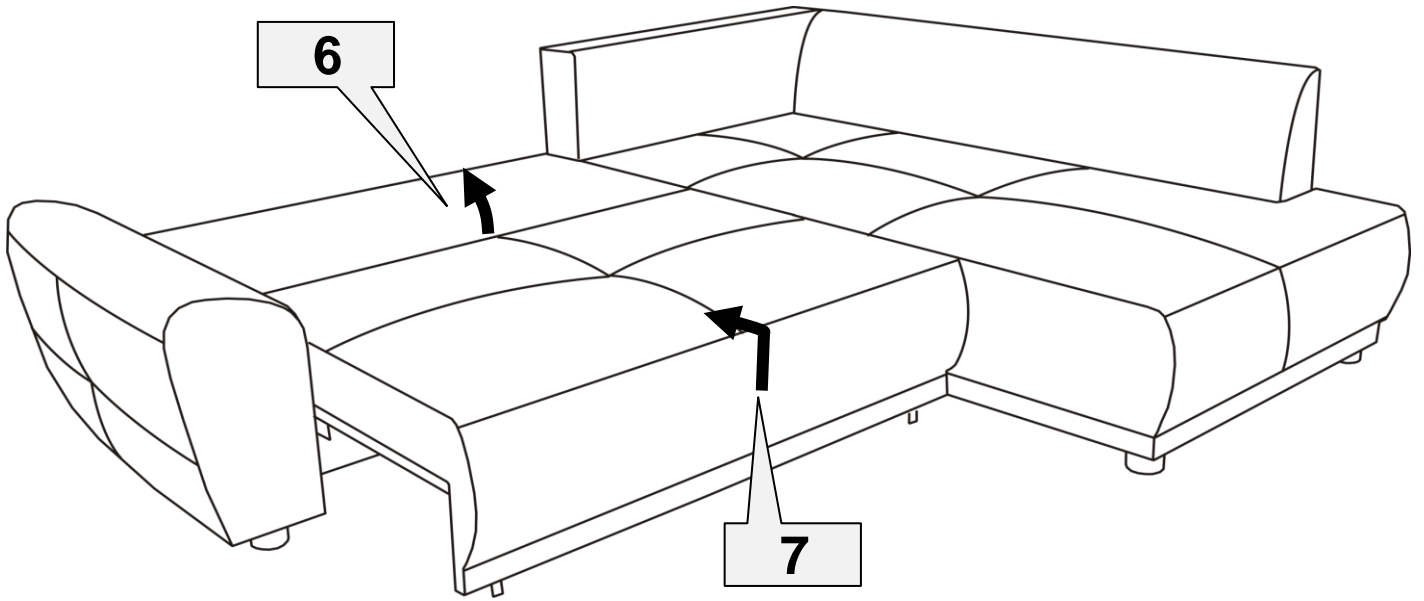
x2



x1

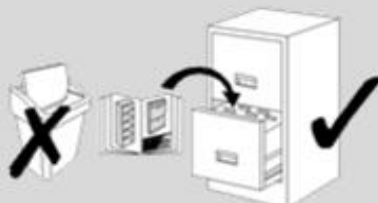
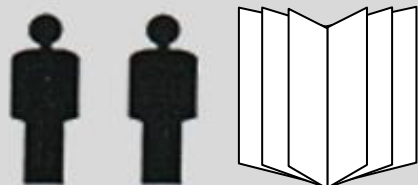
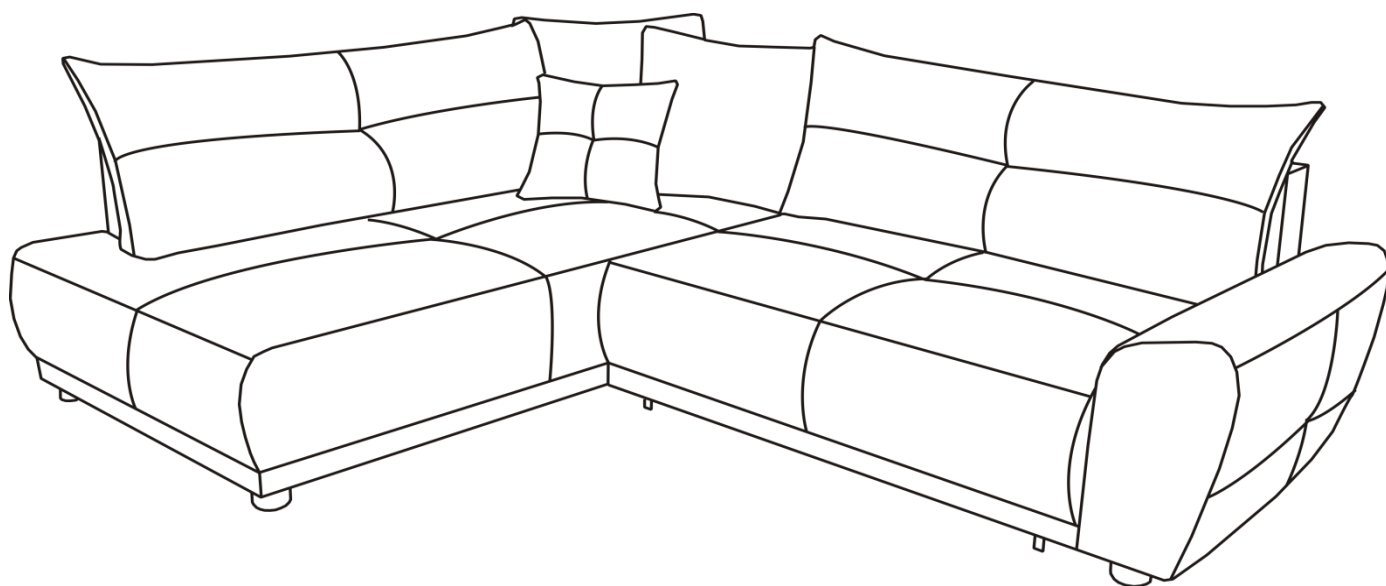


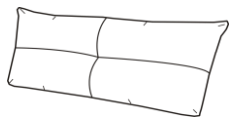




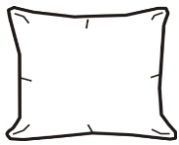
CEYLON RECL-2FBAR

Art.Nr. 02150005-02

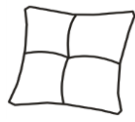




x2



x2



x1

