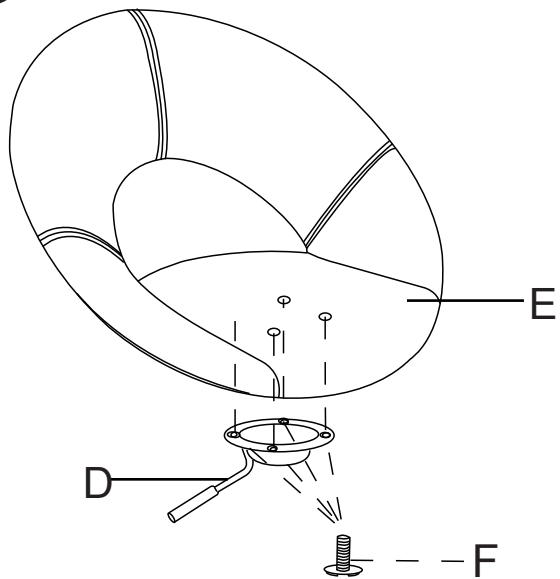
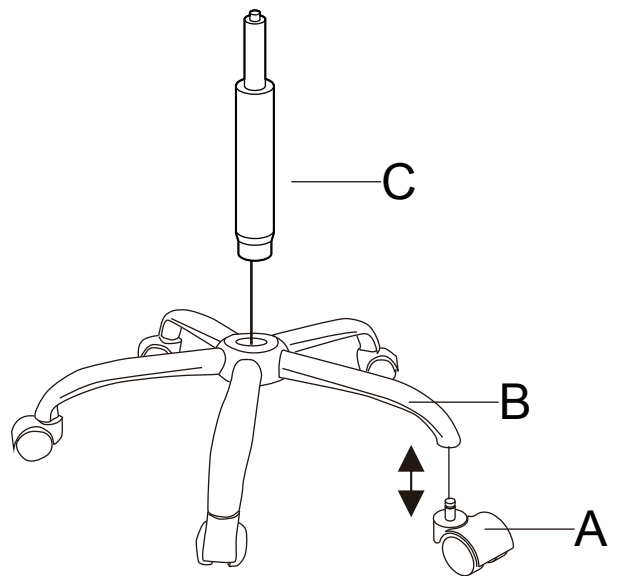


28820098/01/02

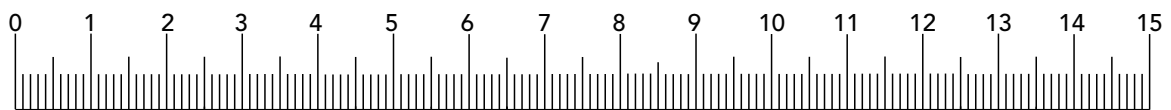
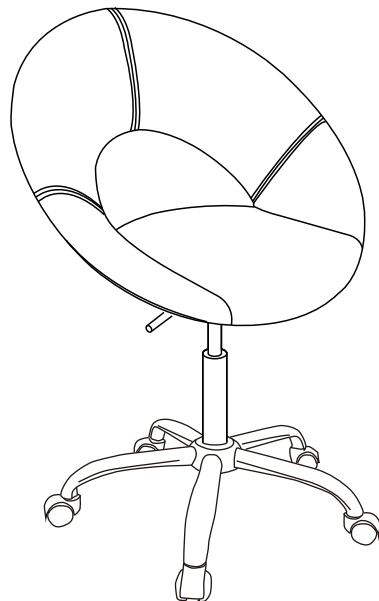
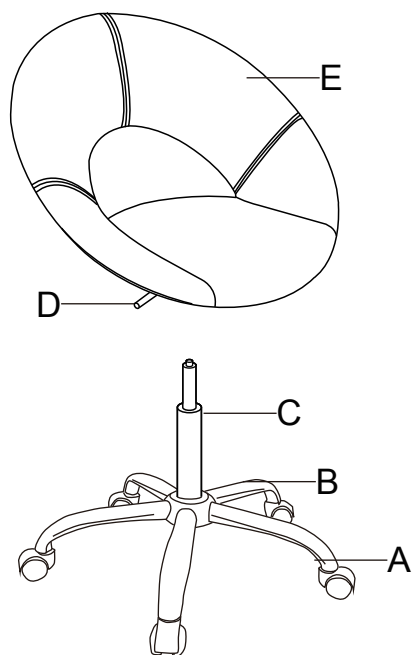
1



2

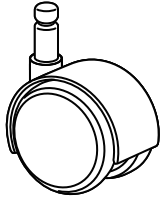


3

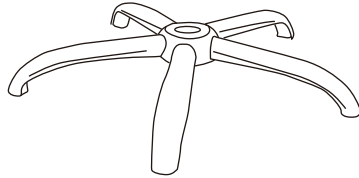


28820098/01/02

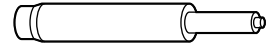
A



B

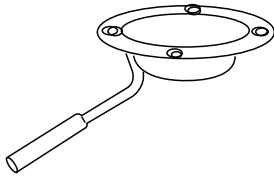


C

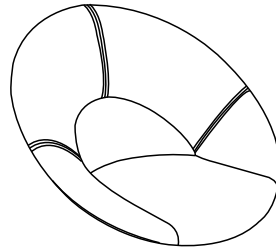


TÜV Rheinland®
CERTIFIED

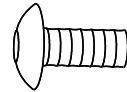
D



E



F



M6*10MM/5x

G



M5/1x

