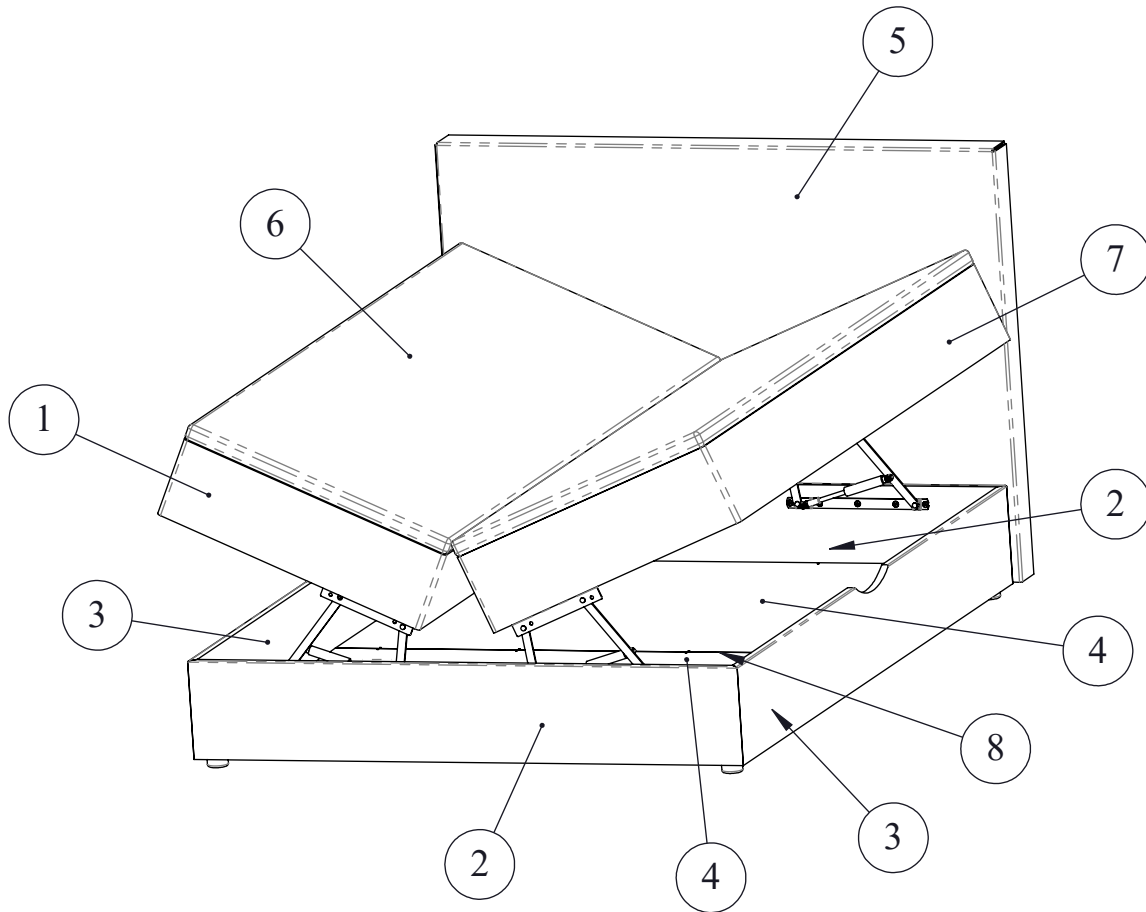
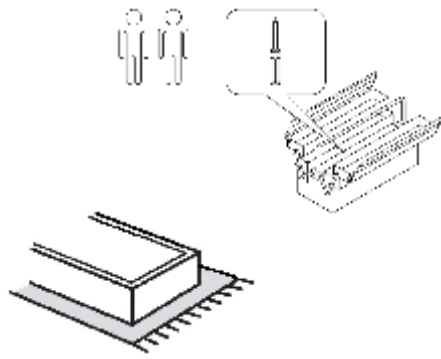
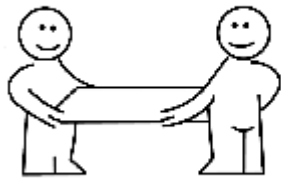


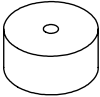
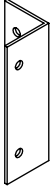
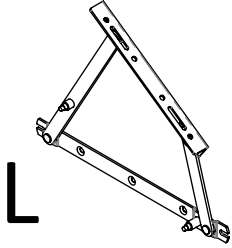
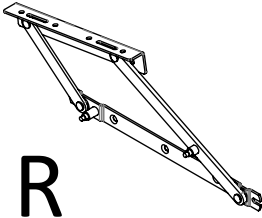




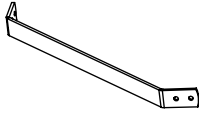
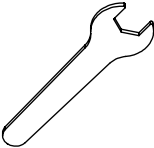

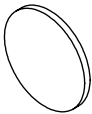
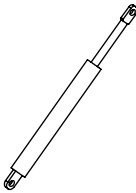
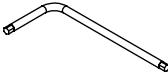
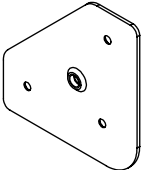




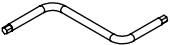

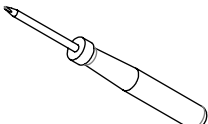
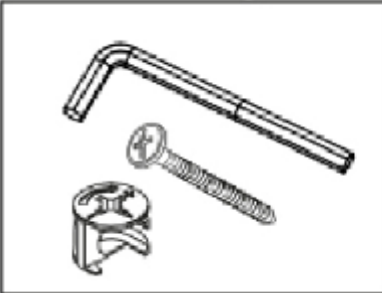

# ***LUCYJANA***

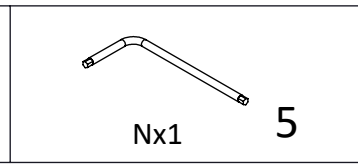


Article number	PSC	Package
1	x1	3/6
2	x2	2/6
3	x2	1/6
4	x2	6/6
5	x1	6/6
6	x1	5/6
7	x1	4/6
8	x1	2/6

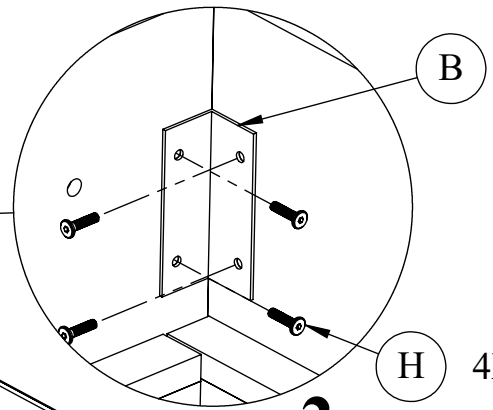
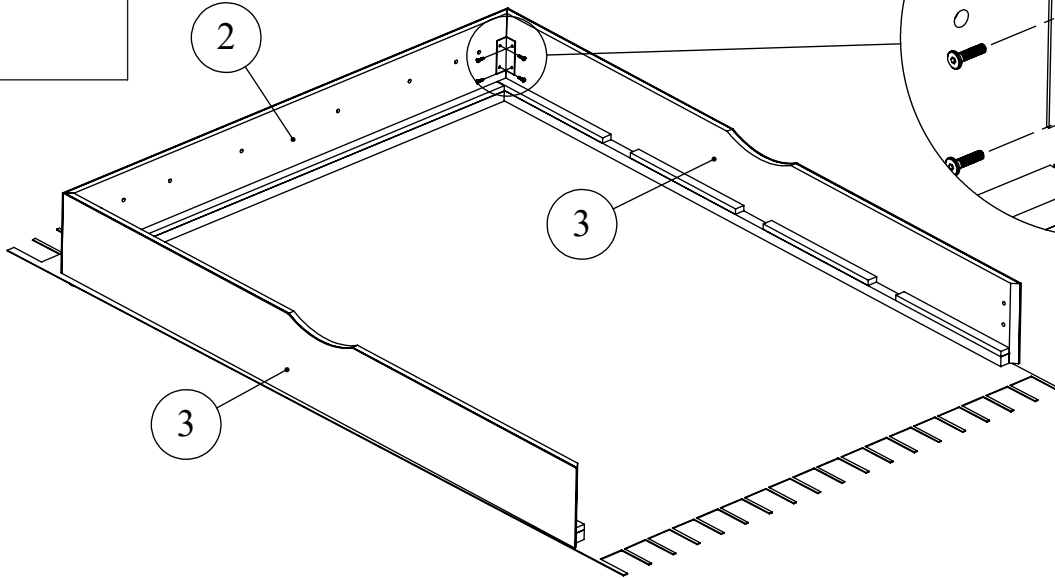


60min

				
Ax6	Bx4	Cx2	Dx2	Ex16
				
Fx16	Gx20	Hx16	Ix4	Jx1
				
Kx8	Lx6	Mx4	Nx1	Ox4
				
Px8	Rx8	Sx8	Tx4	Ux1
				 <p>2/6 6/6</p>
Vx20	Wx1			



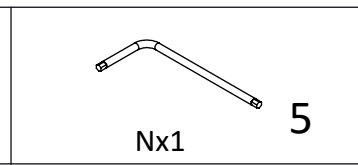
1



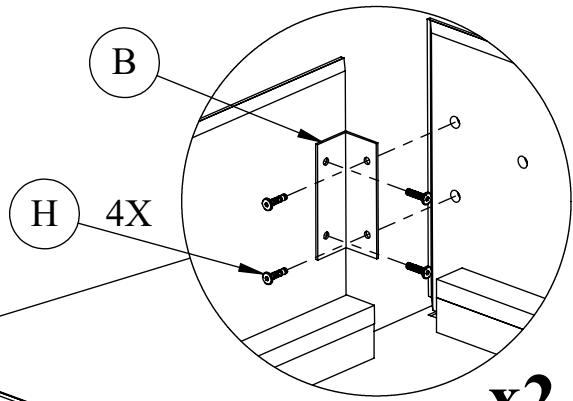
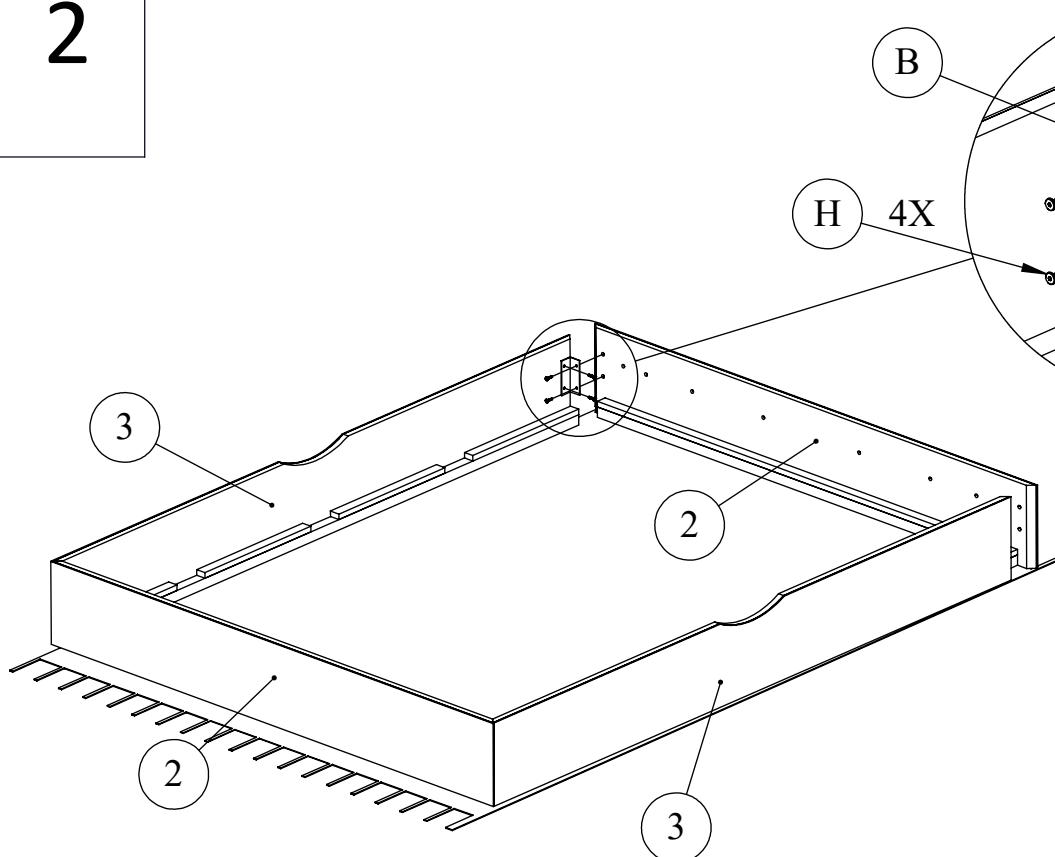
x2

H 4X

H 50%



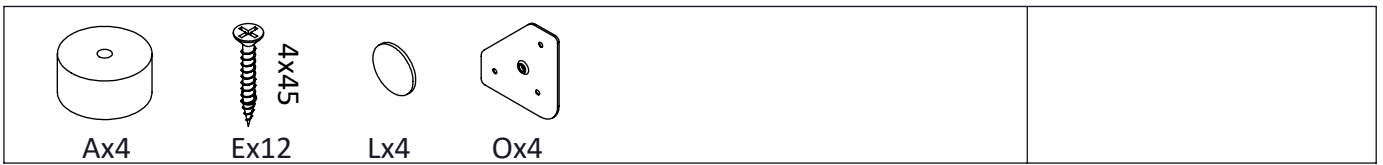
2



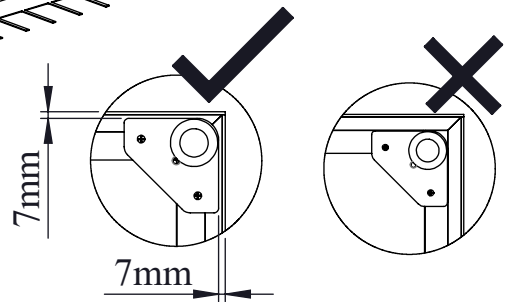
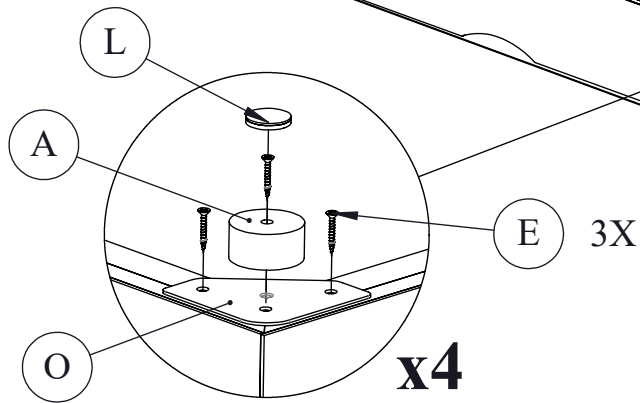
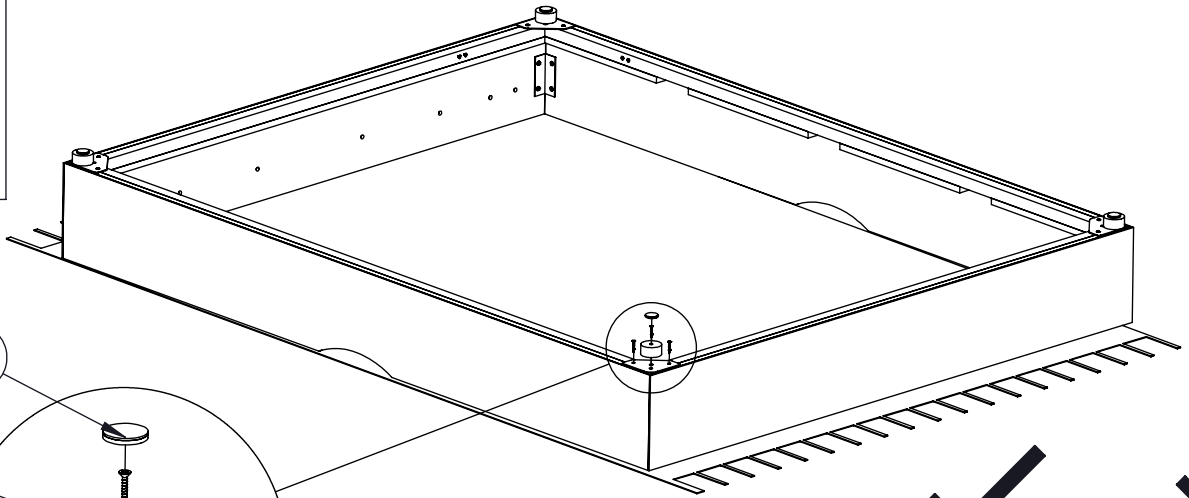
x2

H 4X

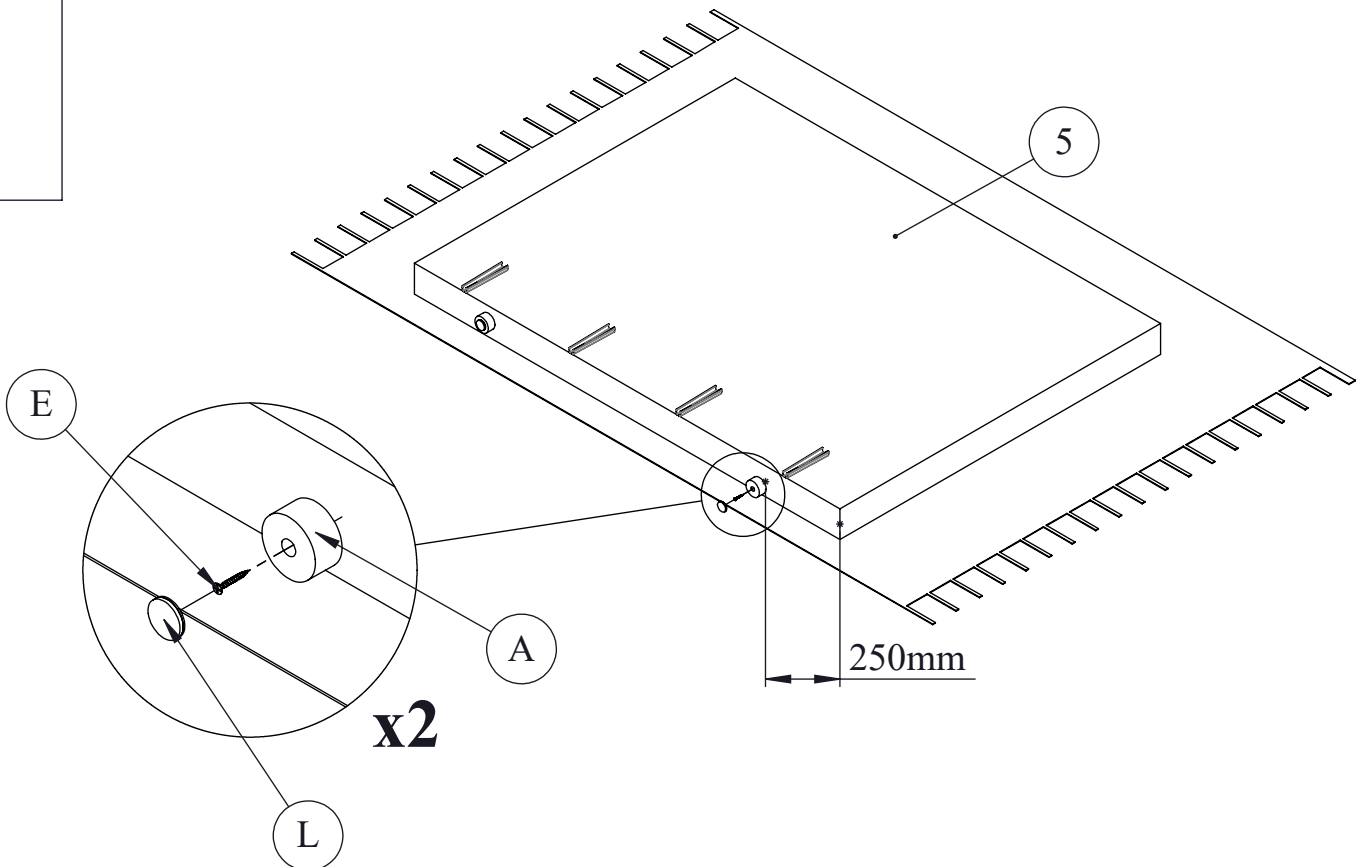
H 100%



3



4



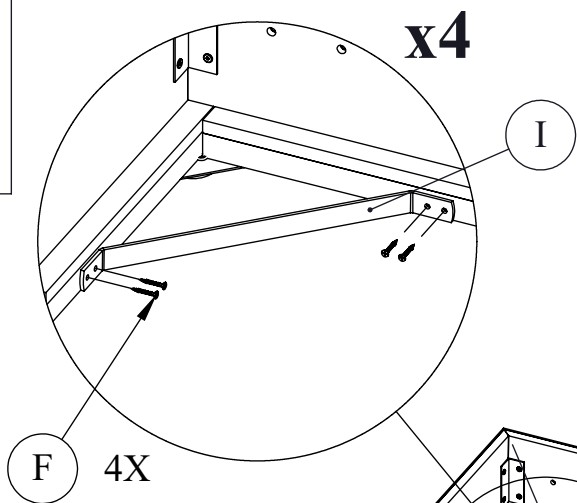


Fx16

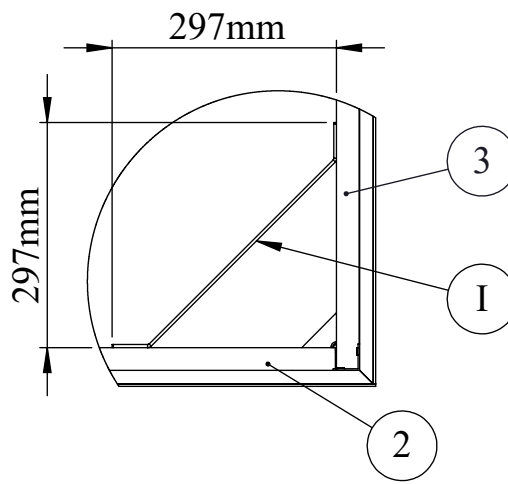
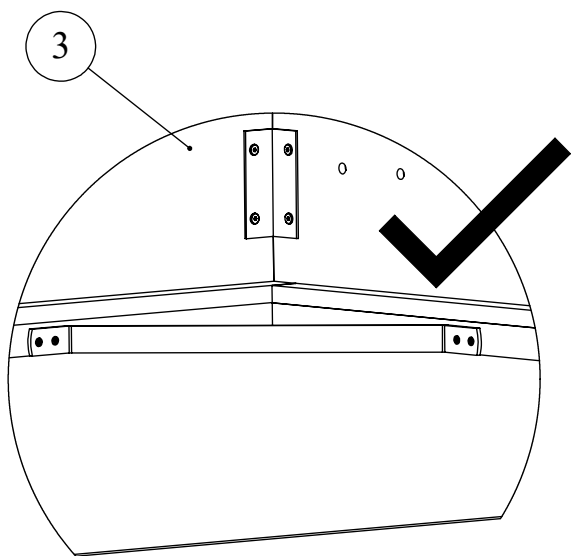
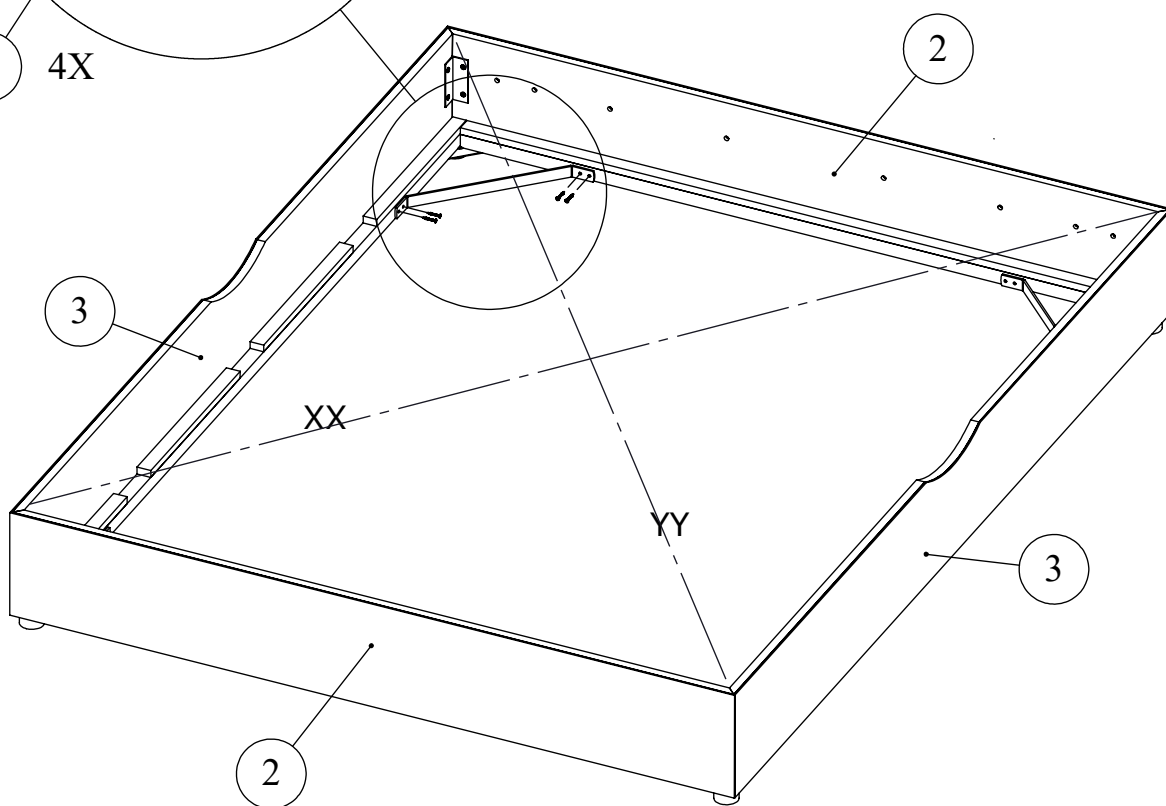


lx4

5

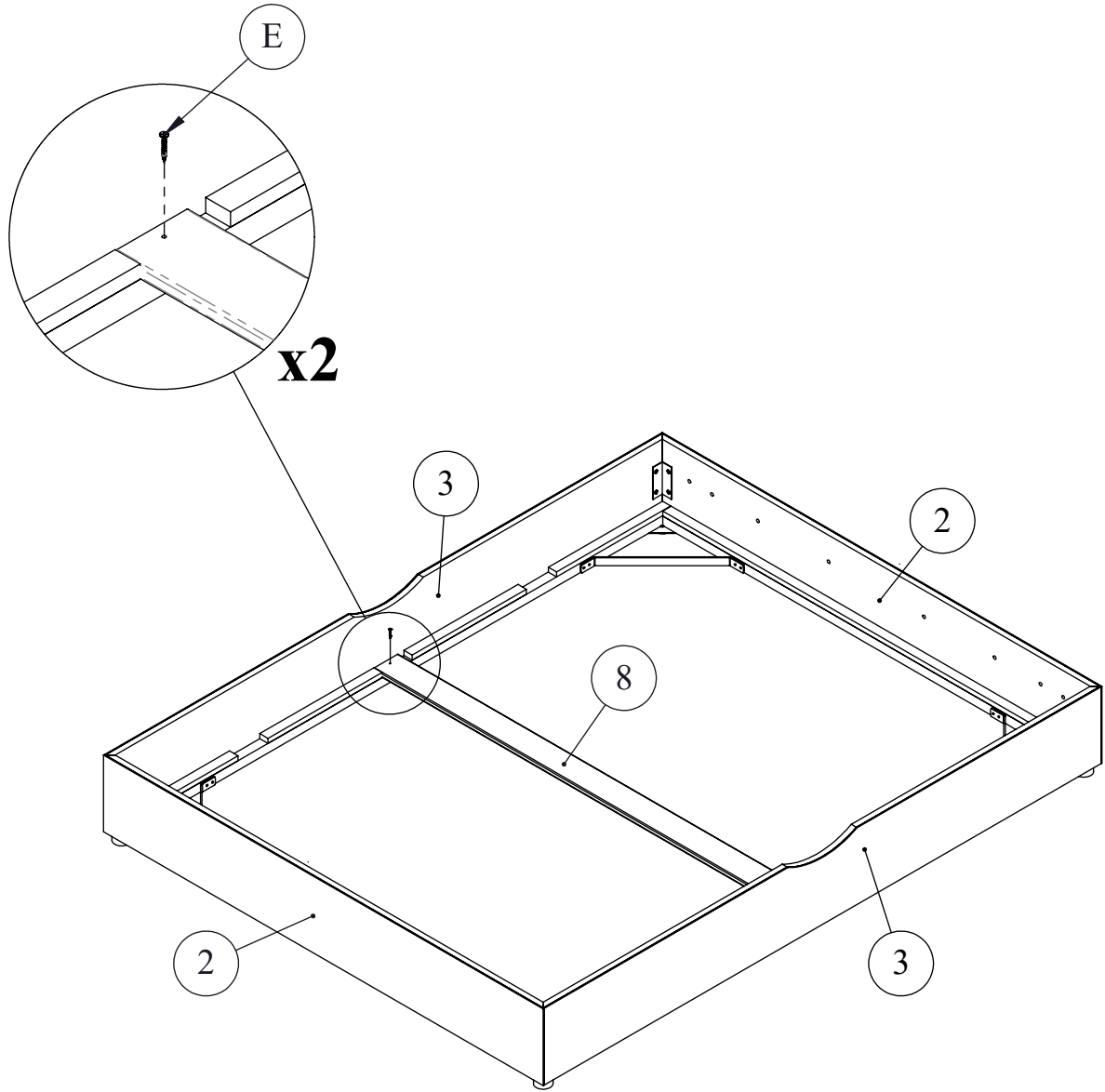


$XX = YY \equiv 90^\circ$



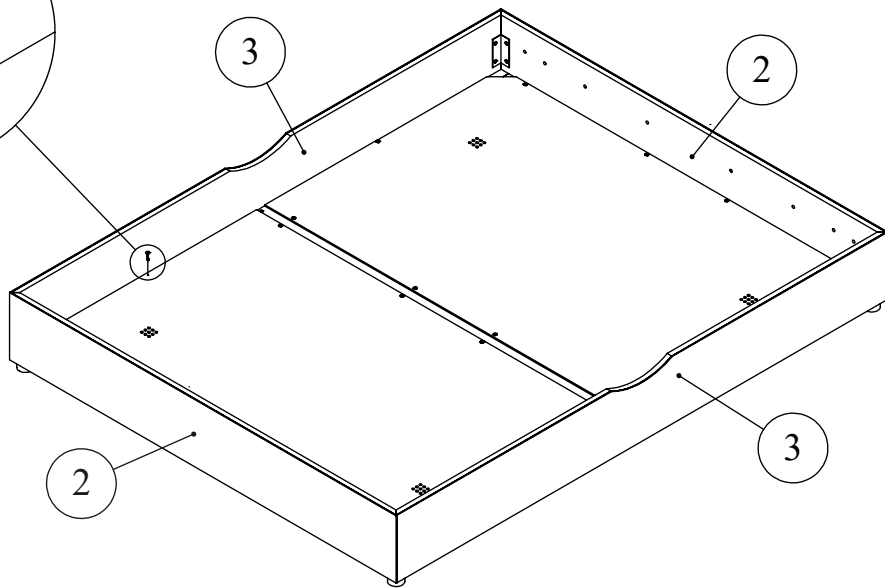
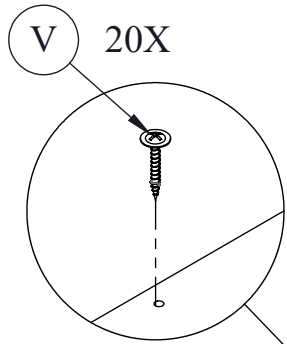
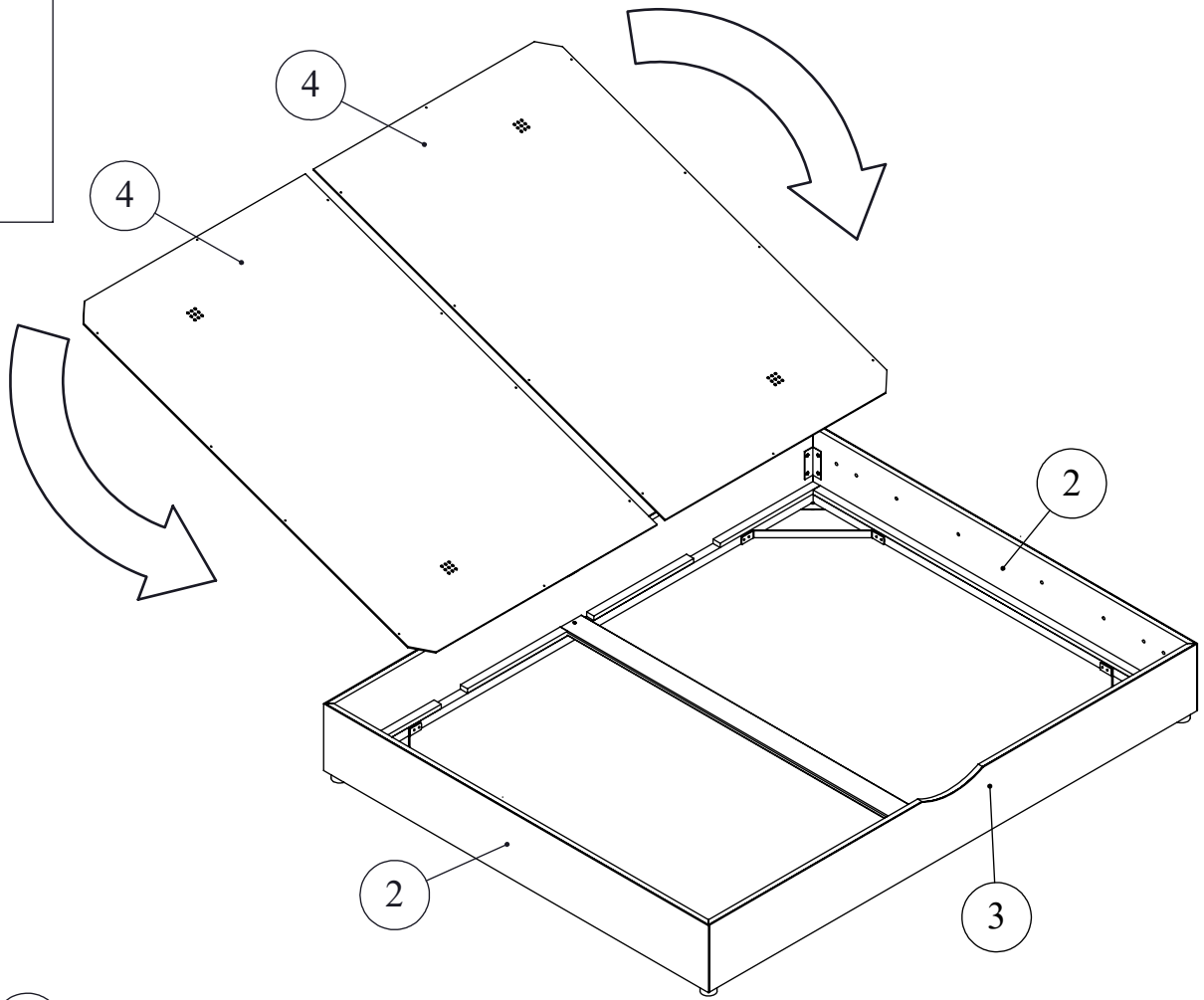
4x45  
Ex2

6

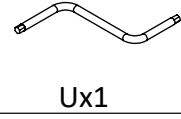
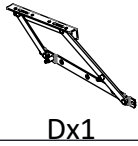


4x16  
Vx20

7



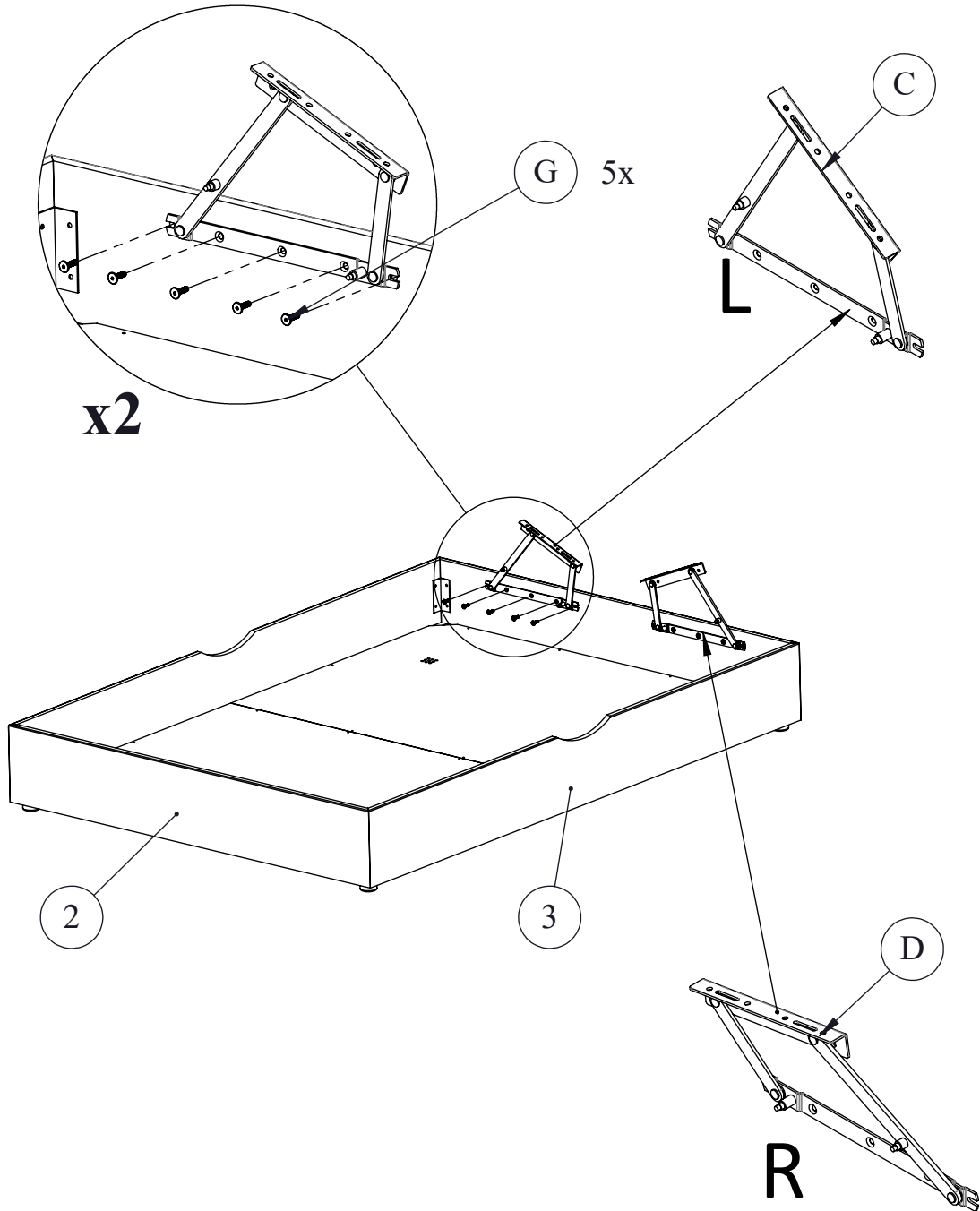




4

8

1. (G) 100%





Cx1



Dx1



M6x20  
Gx10

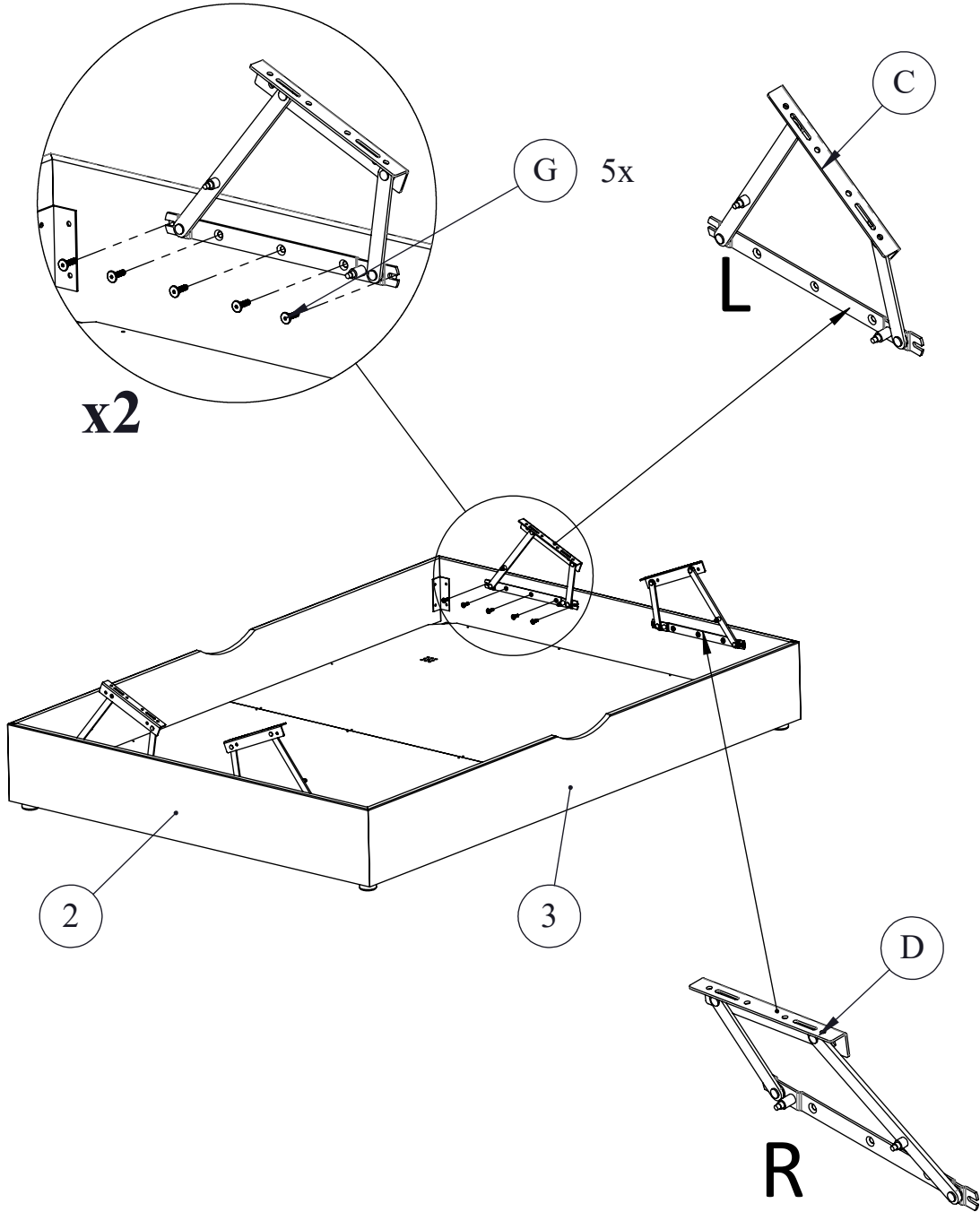


Ux1

4

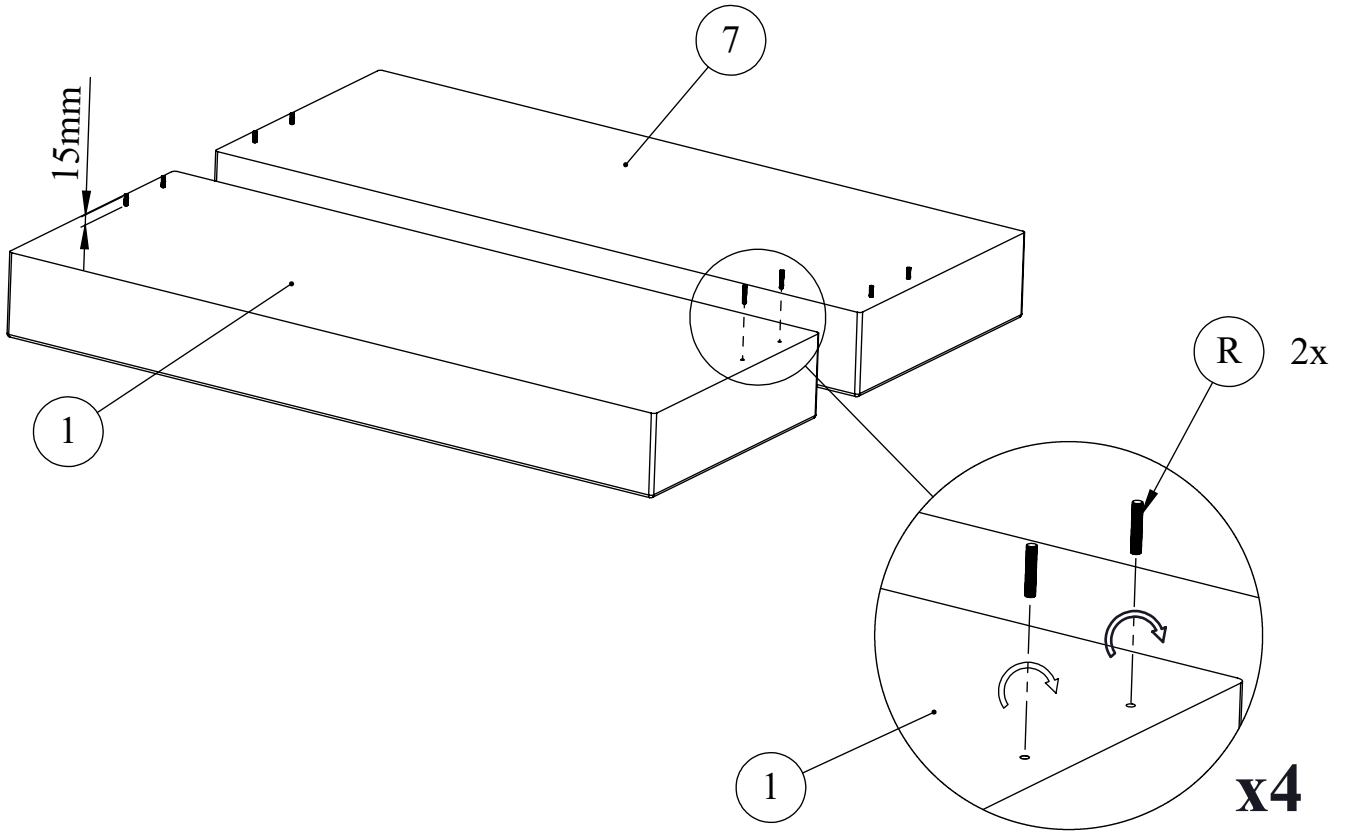
9

1. (G) 100%



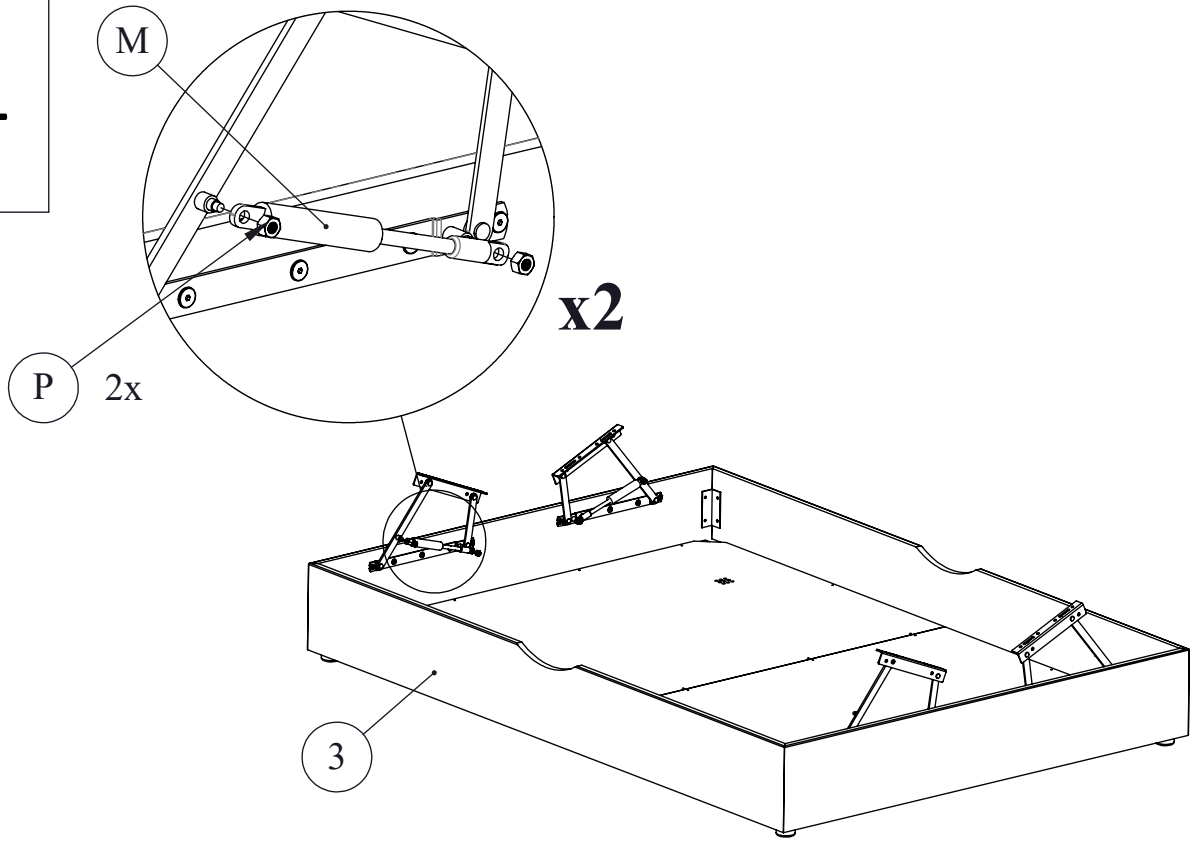
 <p>M6x70 Rx8</p>	
---	--

10



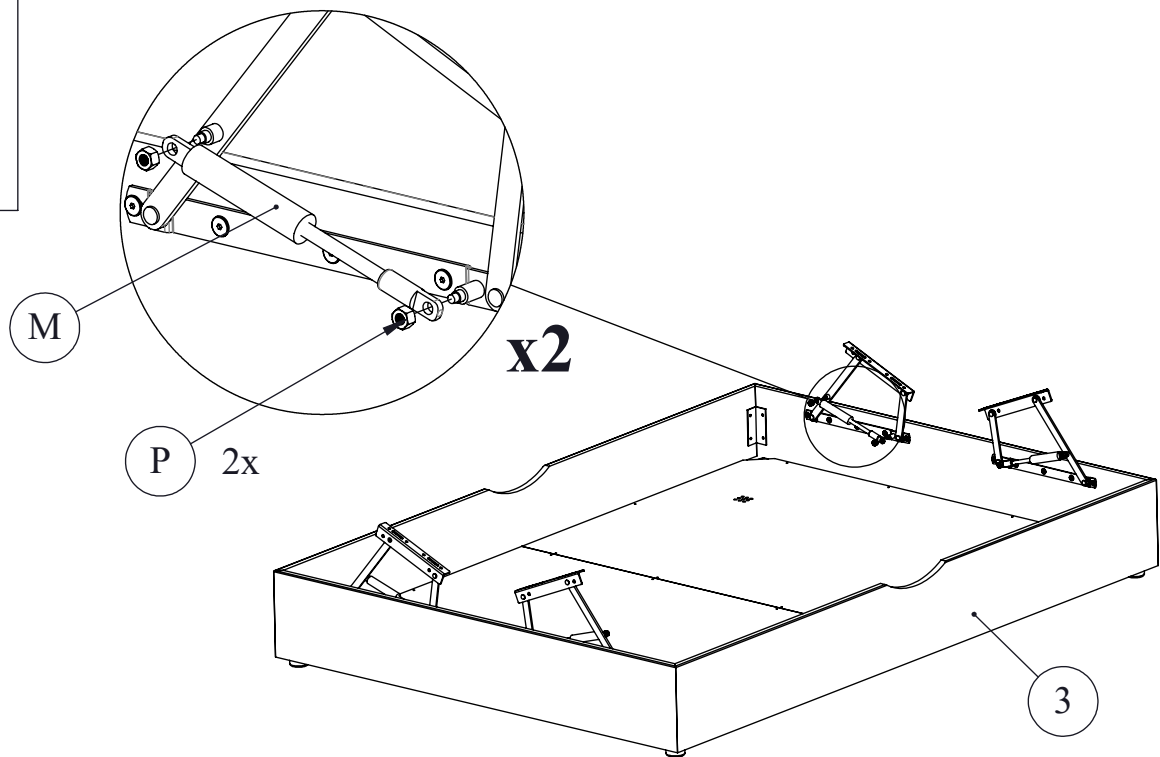
 Mx2	 M6 Px4	 Jx1 10
--	--	---

11



 Mx2	 M6 Px4	 Jx1 10
--	--	---

12





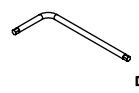
M6

Kx8



Jx1

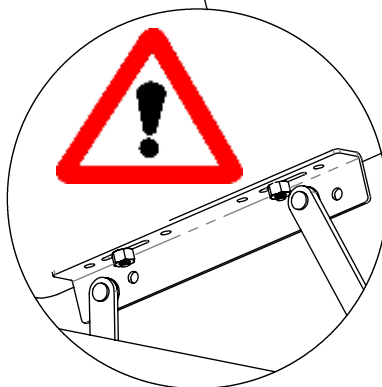
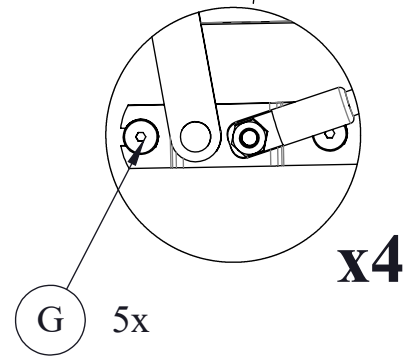
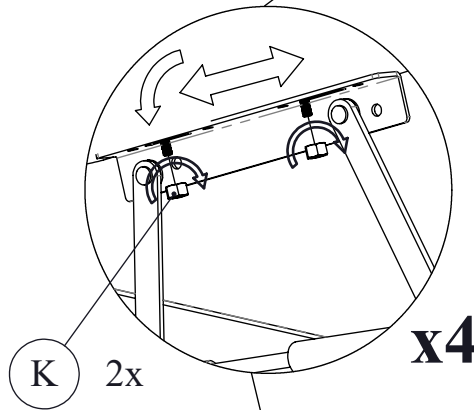
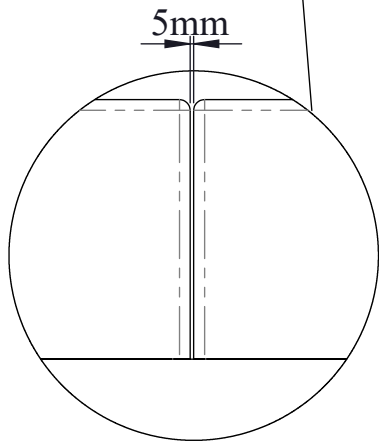
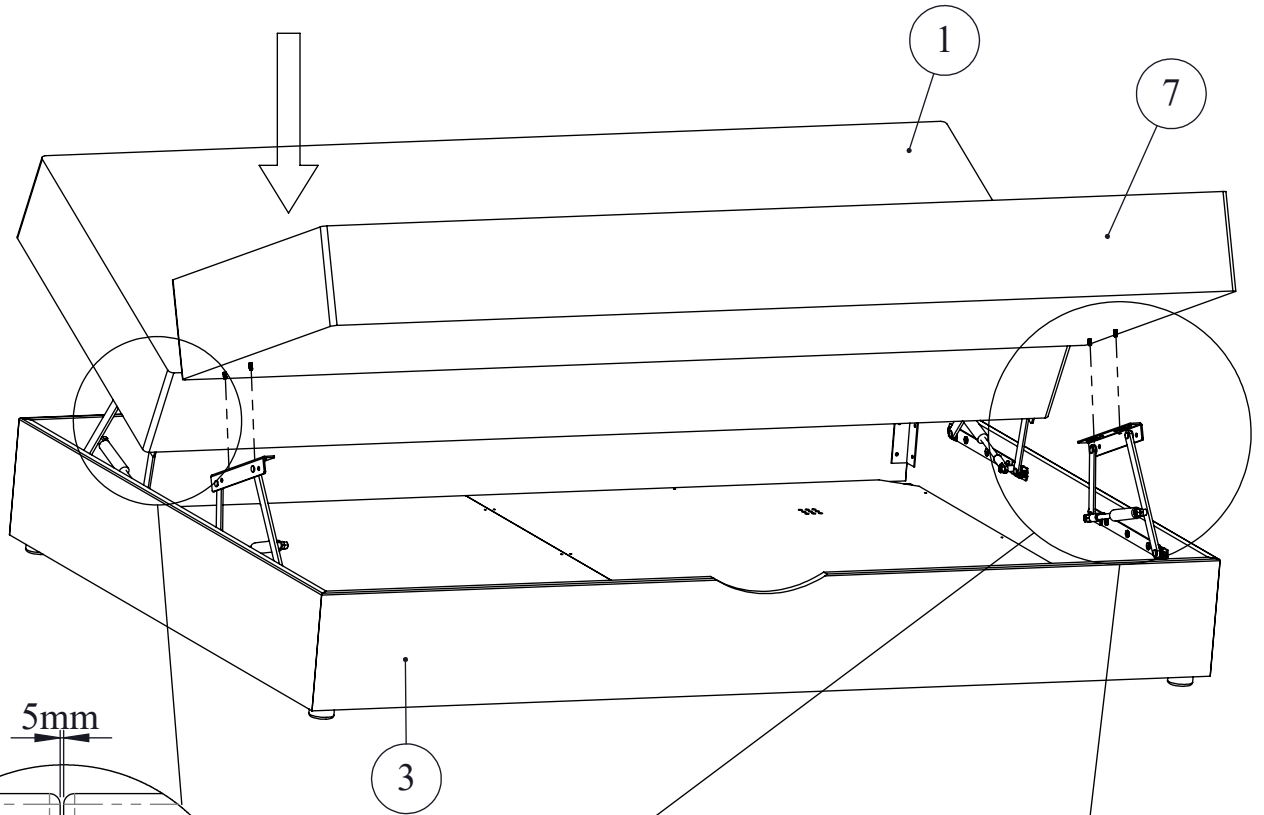
10



Nx1

5

13

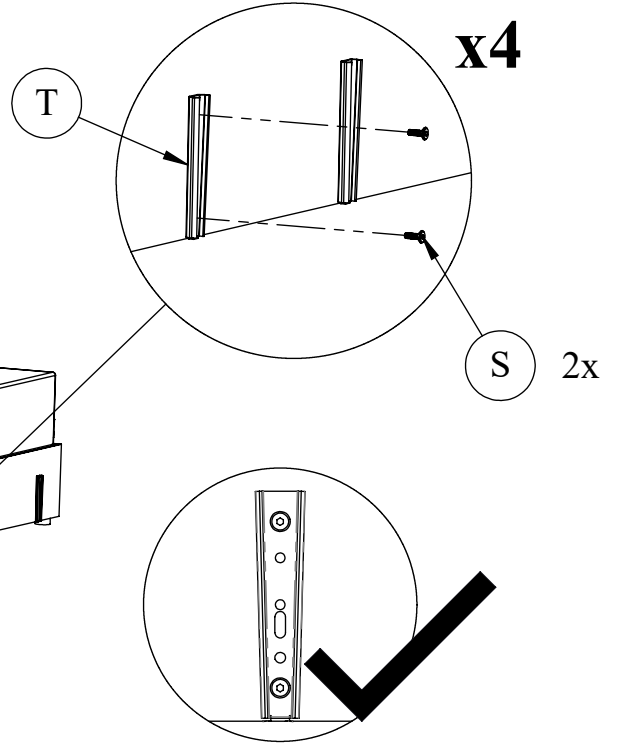
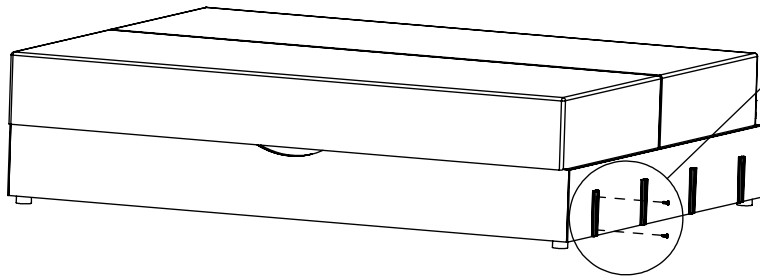




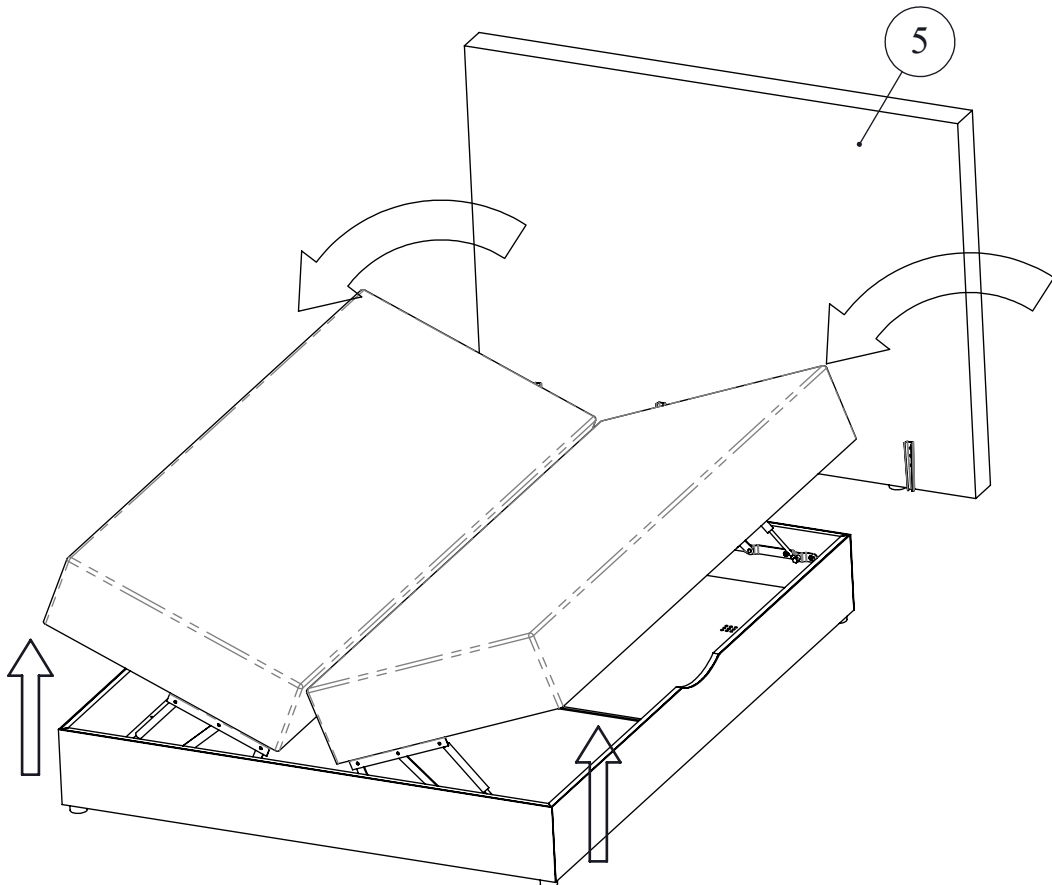
Ux1

4

14



15



16

