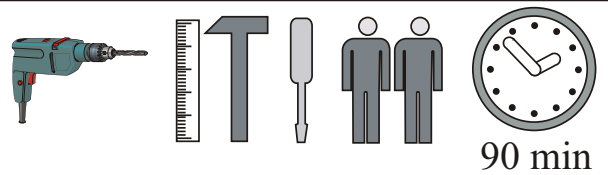
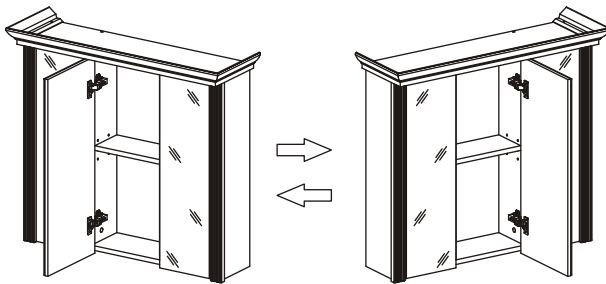
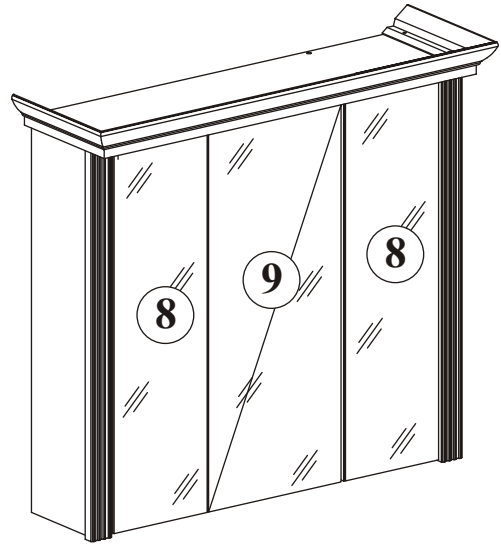
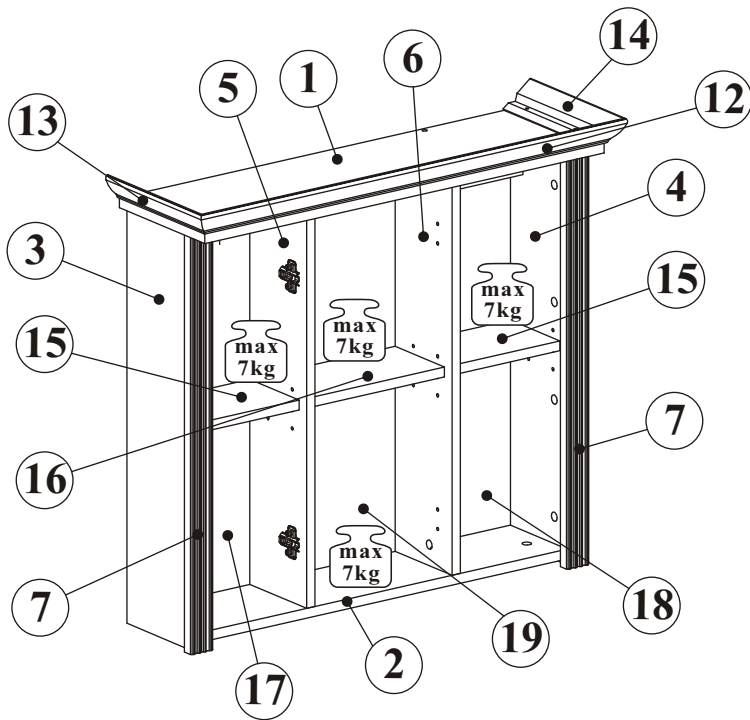
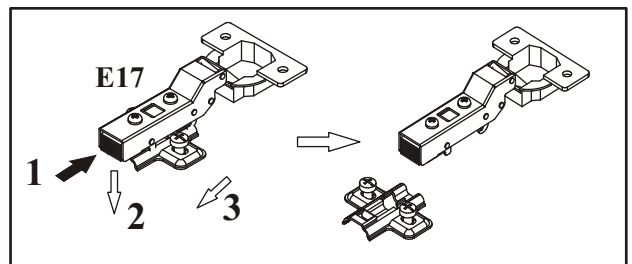
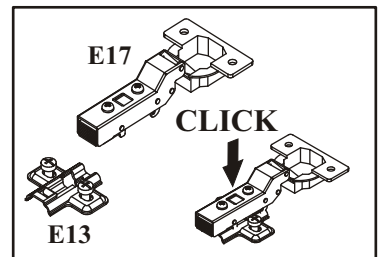
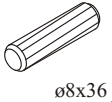
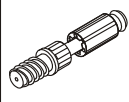
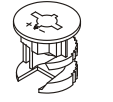

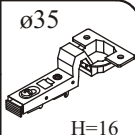
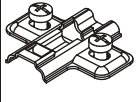


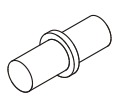
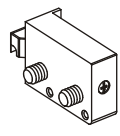
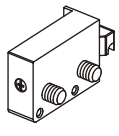
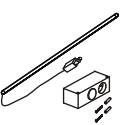

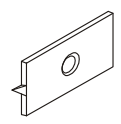
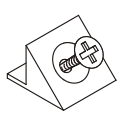
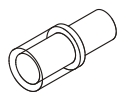

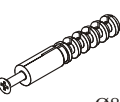

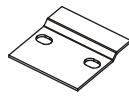


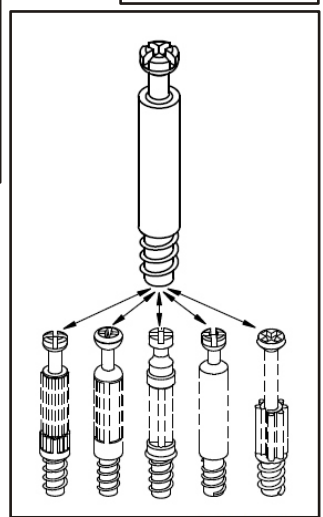
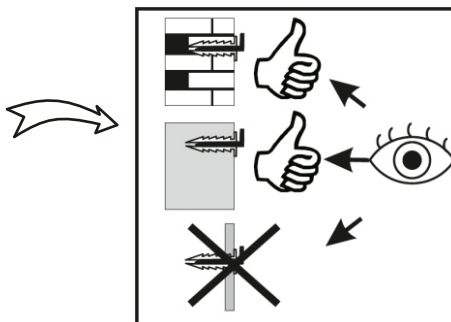
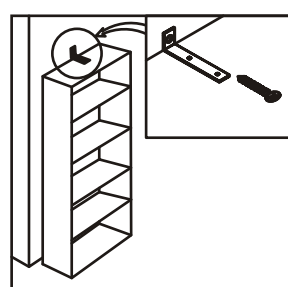
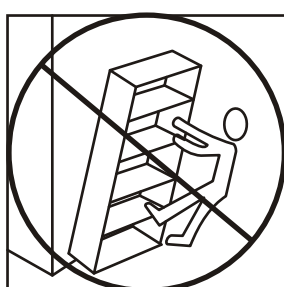
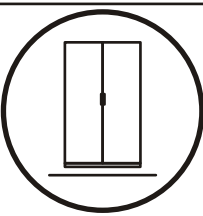
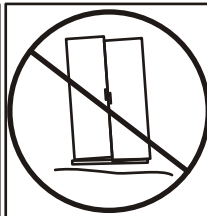
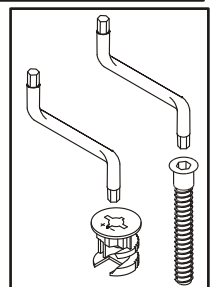
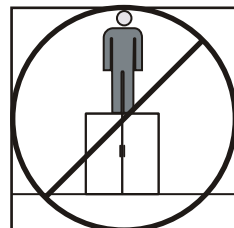
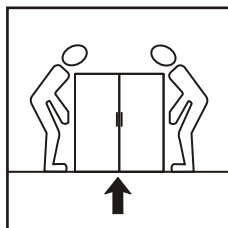
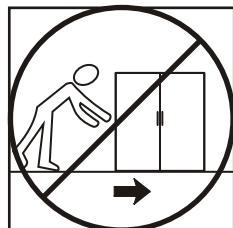
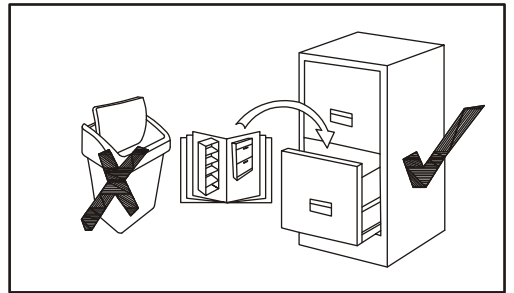
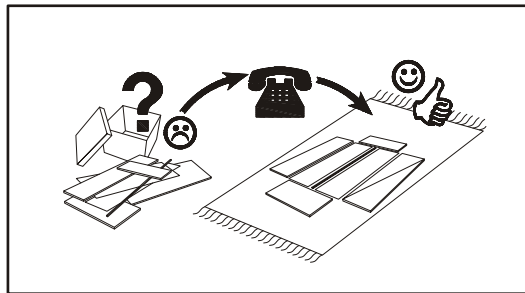
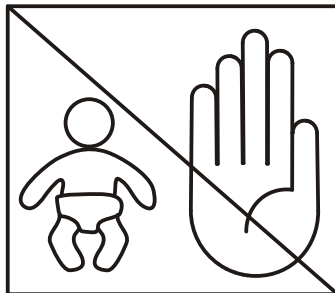
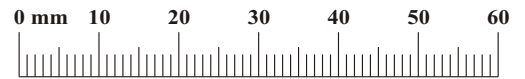
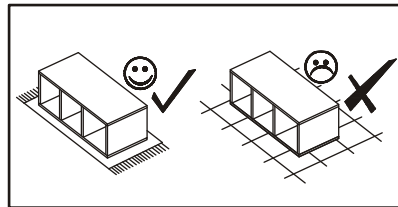
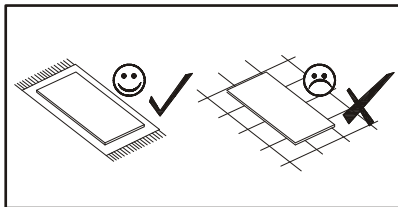
JASMIN 54-877-__-6




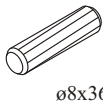
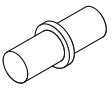
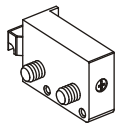
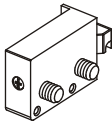
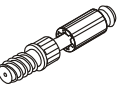
NO	Dim.			Col-No	Qty
1	772	225	16	1	1
2	711	170	16	1	1
3	684	170	16	1	1
4	684	170	16	1	1
5	658	150	16	1	1
6	658	150	16	1	1
7	684	43	19	1	2
8	676	195	12	1	2
9	676	277	12	1	1
12	825	67	22	1	1
13	251	67	22	1	1
14	251	67	22	1	1
15	207	130	16	1	2
16	265	130	16	1	1
17	670	221	3	1	1
18	670	221	3	1	1
19	670	281	3	1	1

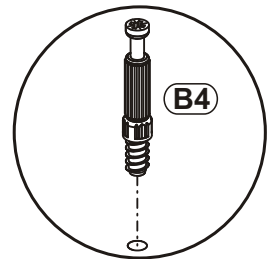
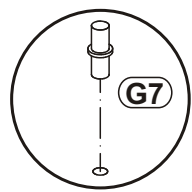
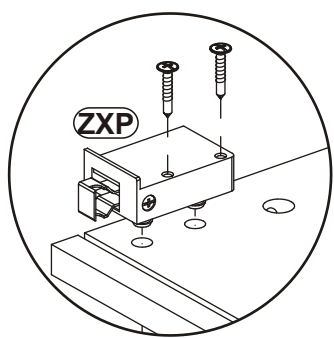
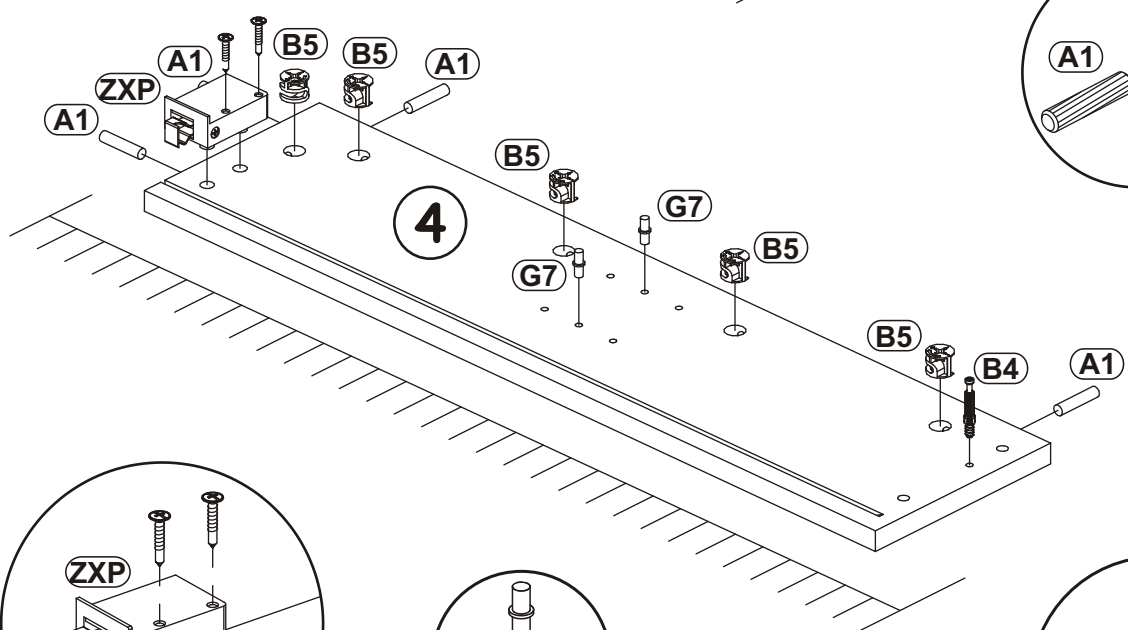
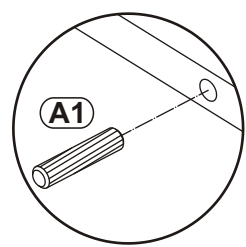
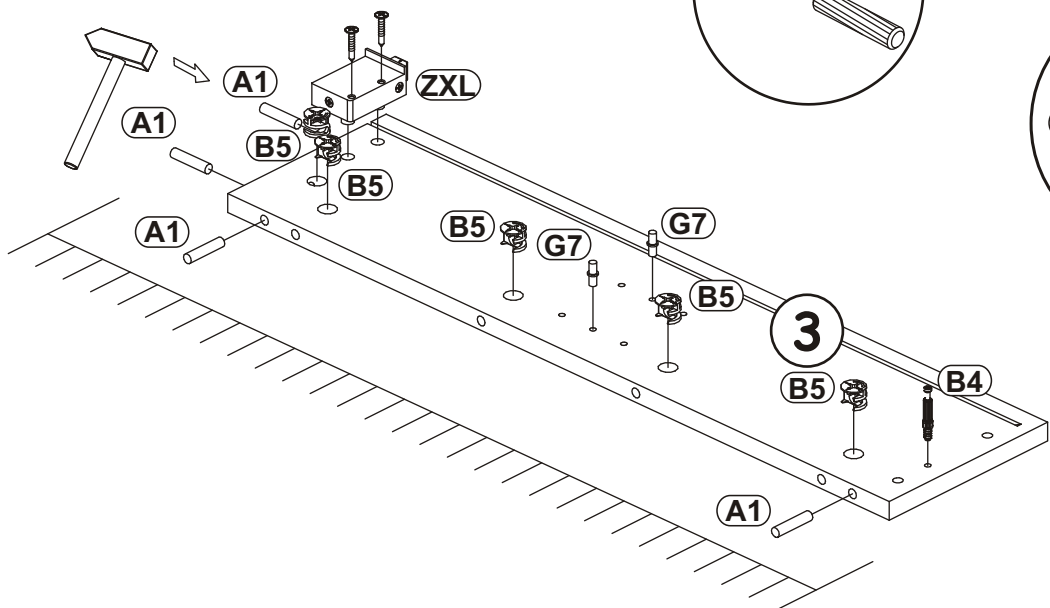
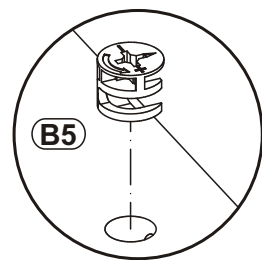
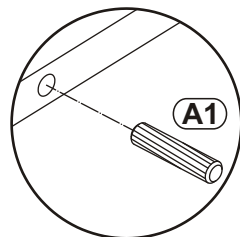
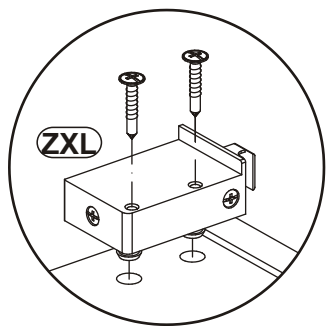


A1 x20  ø8x36	B4 x16 	B5 x16  ø15x12	G5 x16 	E17 x6  ø35 H=16	E13 x6  H=0
Z2 x4  ø5	D10 x12  USØ3,5x13	G7 x12 	ZXL x1 	ZXP x1 	LT3 x1 
UP13 x6  UPØ3x16	G16 x6 	S1 x10 	G20 x2 	D9 x8  USØ3x20	KR1 x4  ø8
G2 x1 	SZ7 x2 				



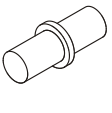


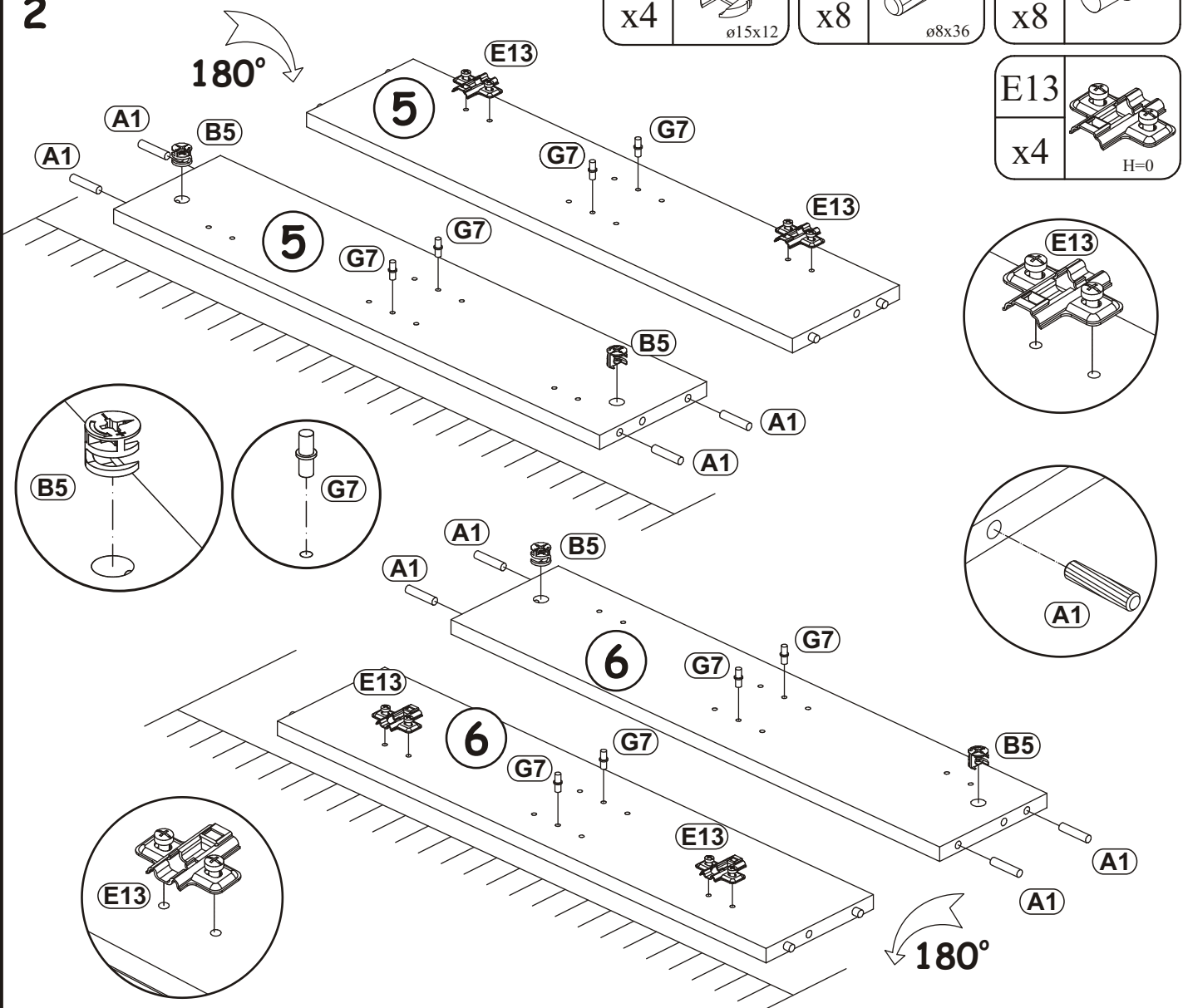
1

B5 x10	 ø15x12	A1 x8	 ø8x36	G7 x4	
ZXL x1		ZXP x1		B4 x2	

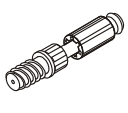


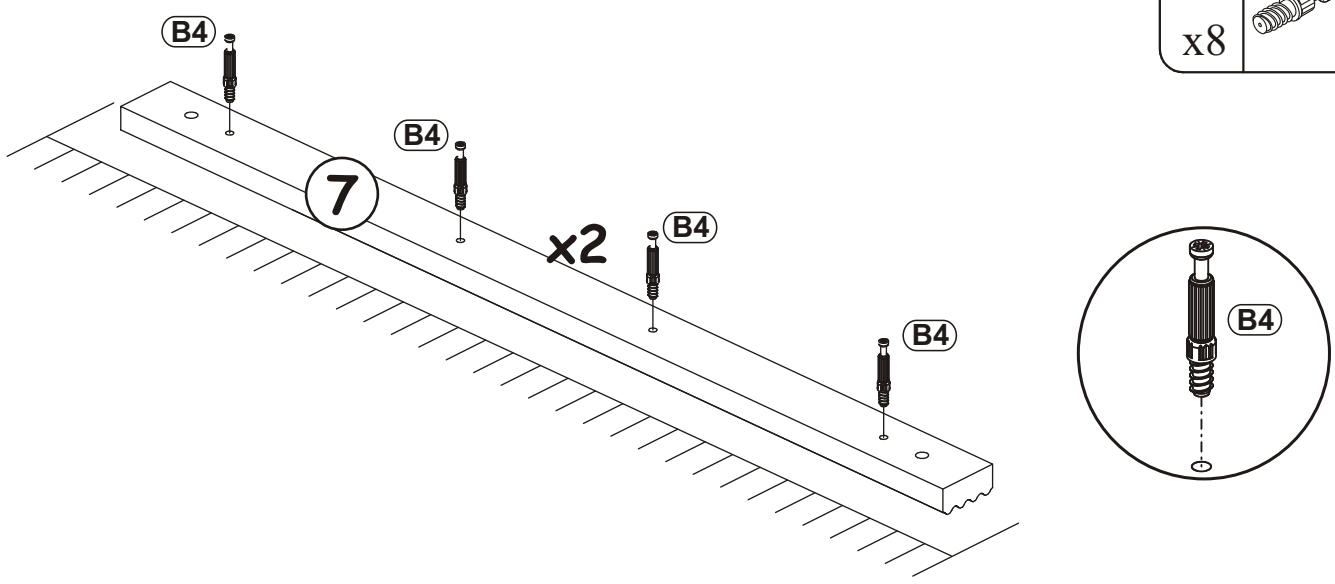
2

B5		A1		G7	
x4		x8		x8	

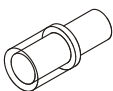

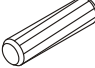
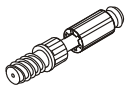


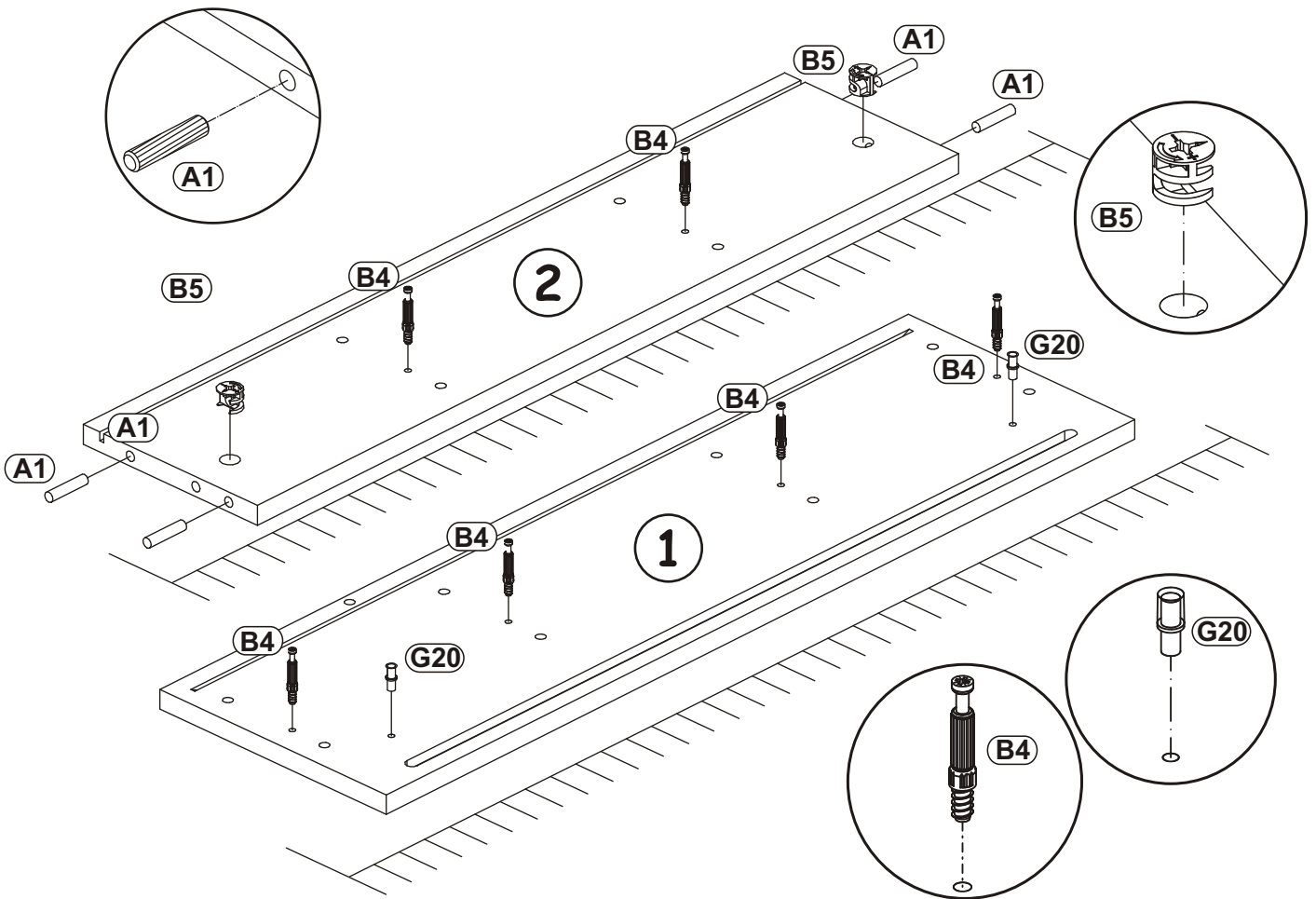
3

B4	
x8	

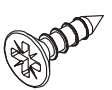


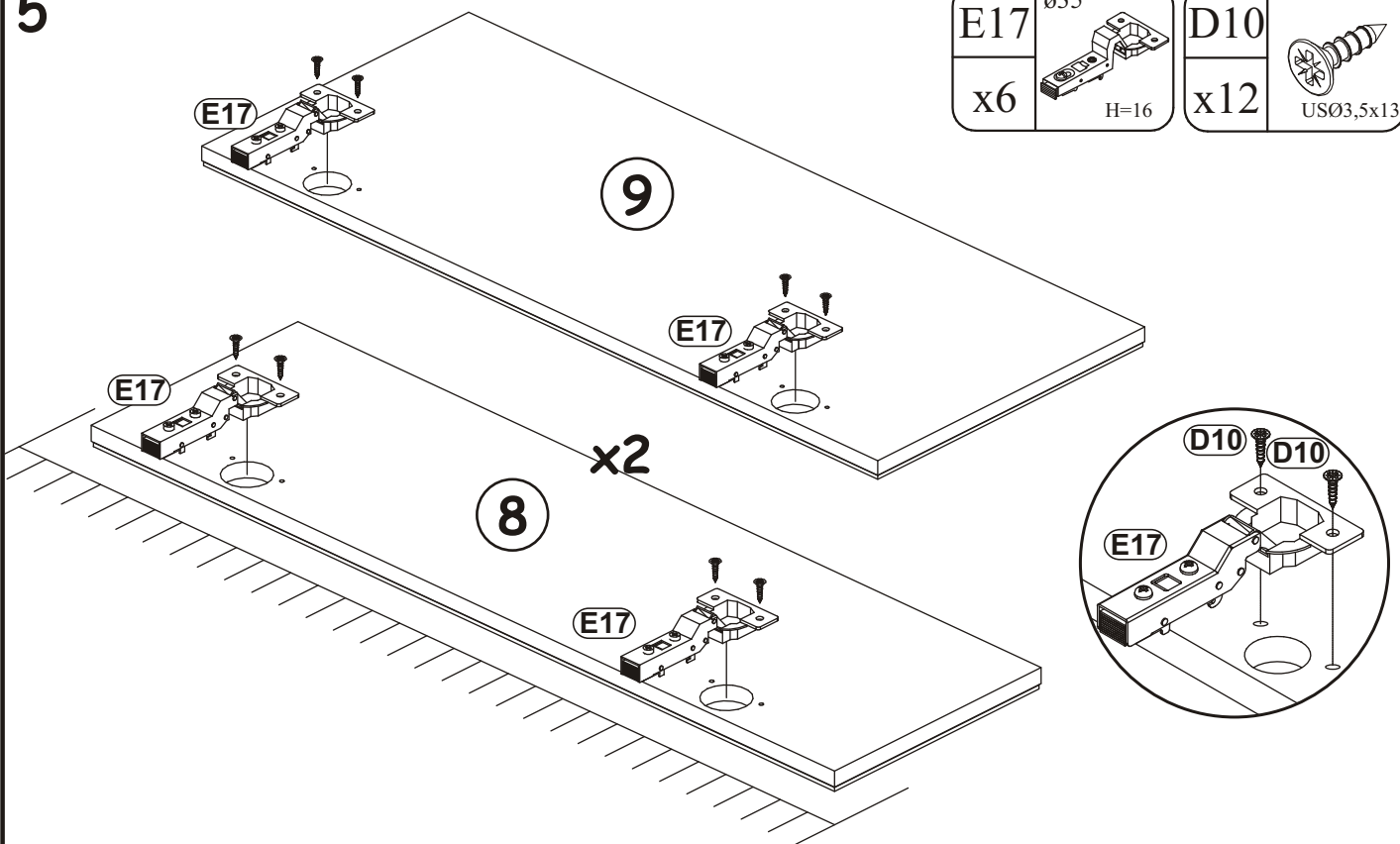
4


G20		B5		A1		B4	
x2		x4	ø15x12	x4	ø8x36	x6	



5

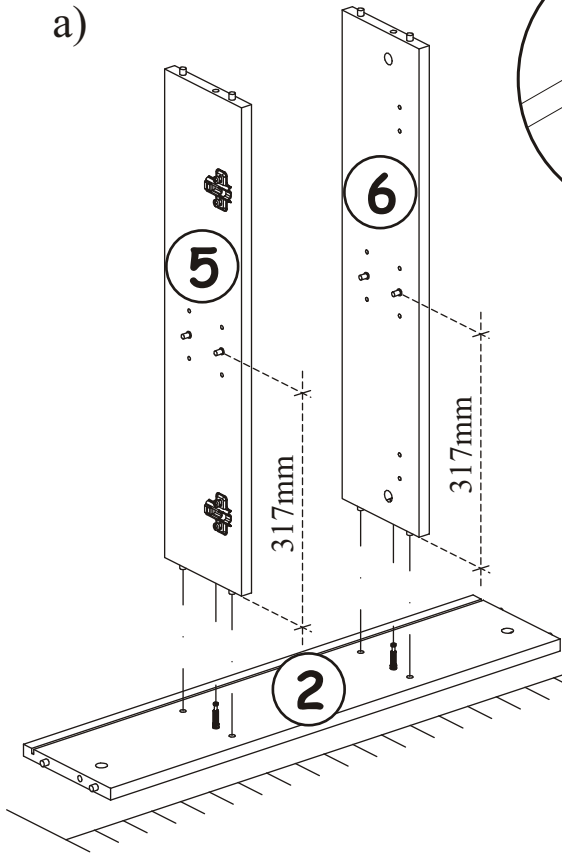
E17	ø35	D10	
x6	H=16	x12	USØ3,5x13



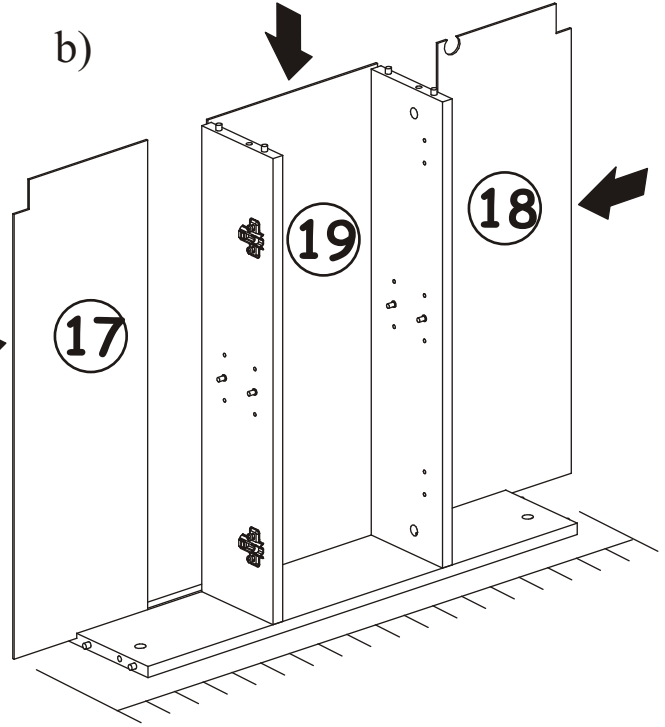
G5	
x8	

6

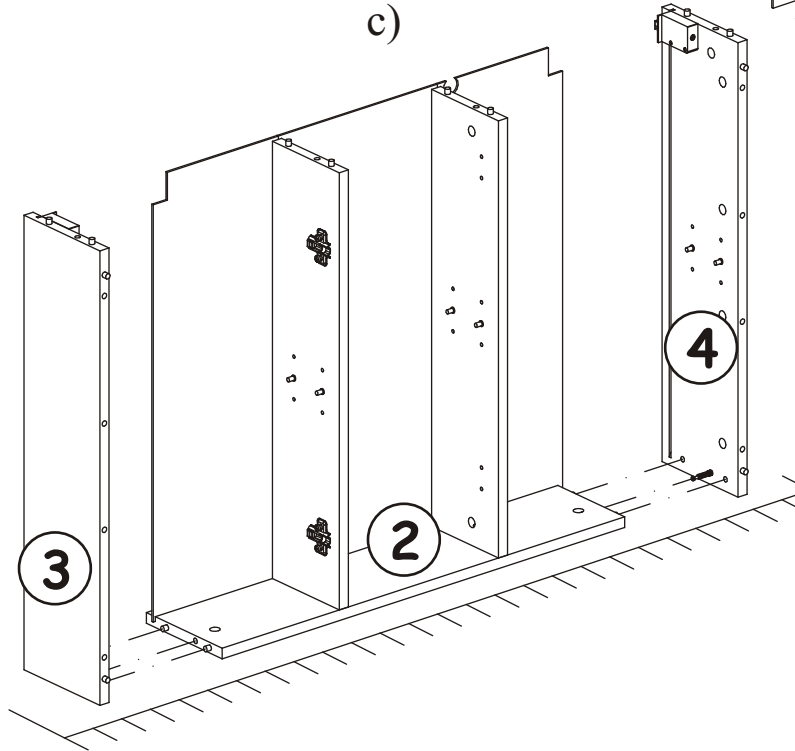
a)



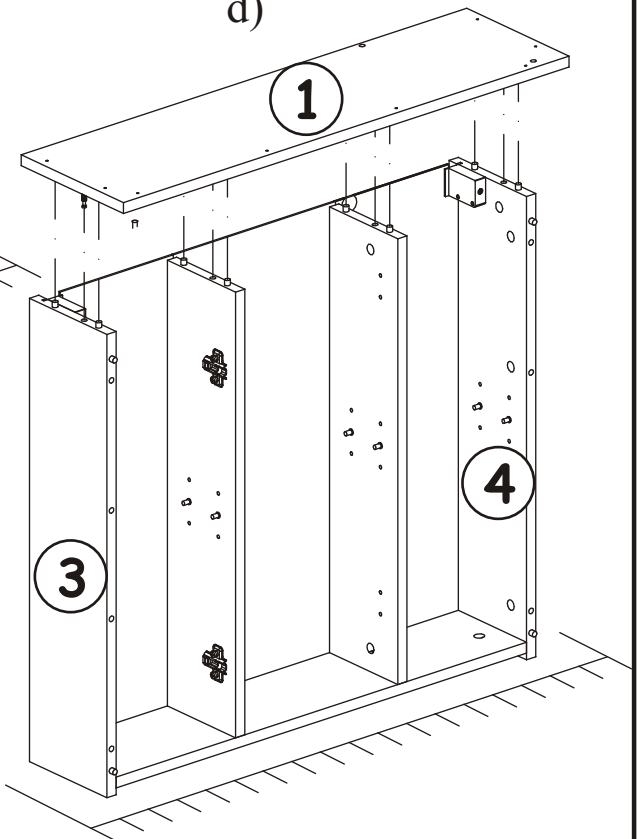
b)



c)

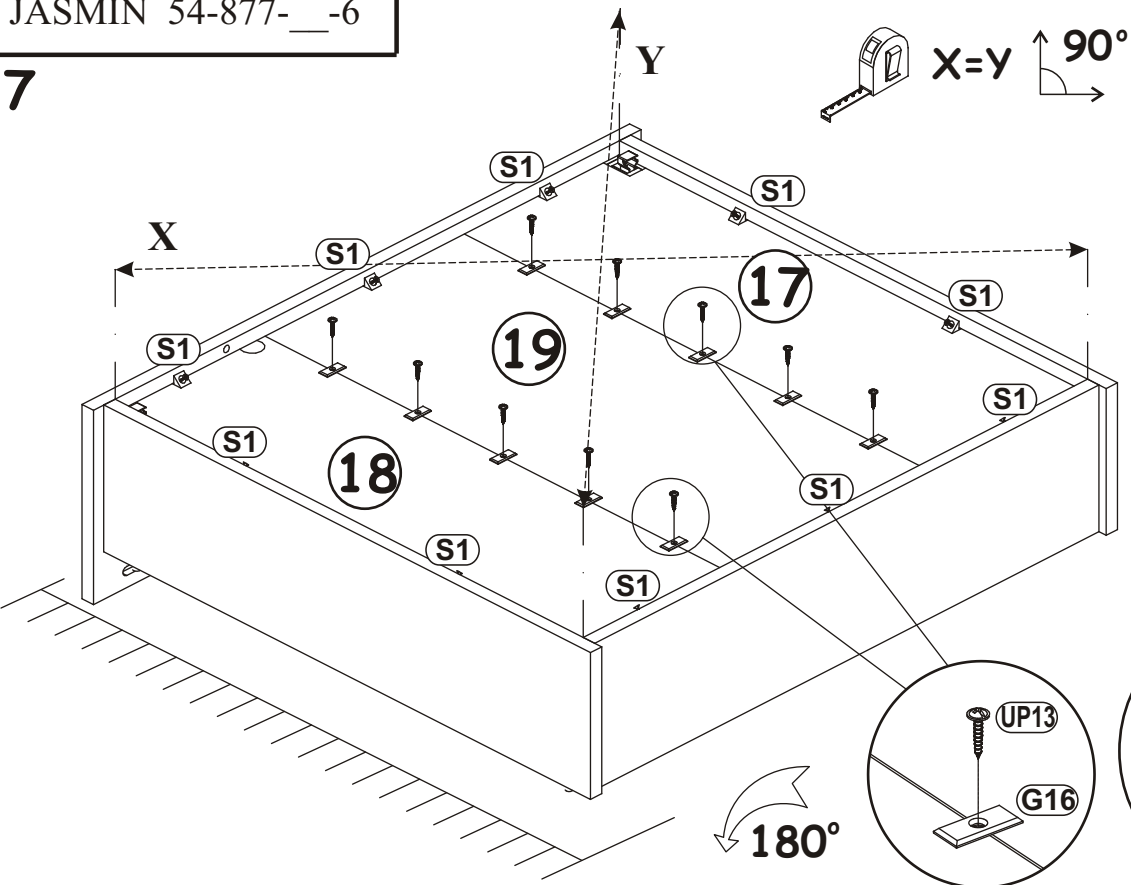


d)



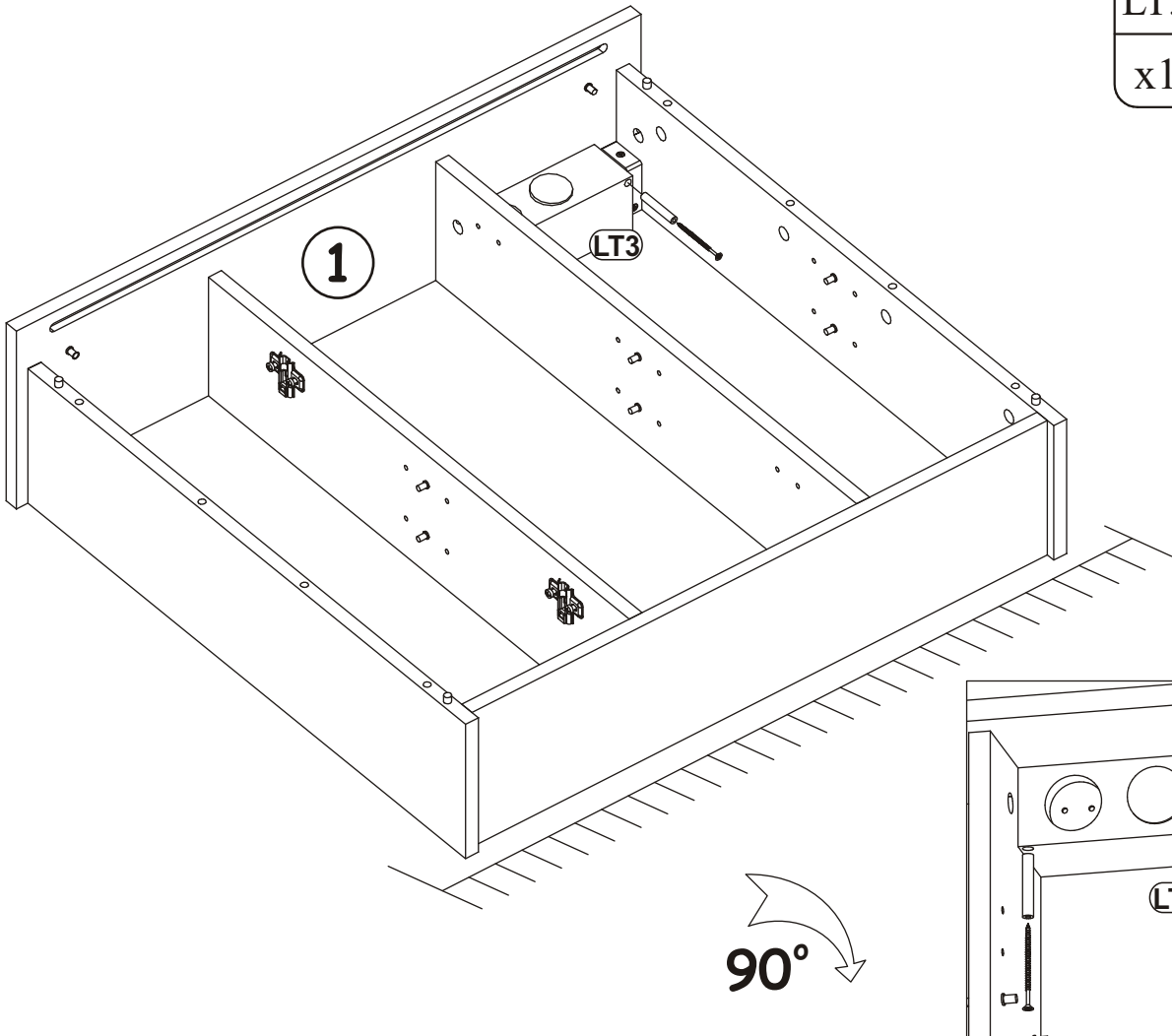
90°

7



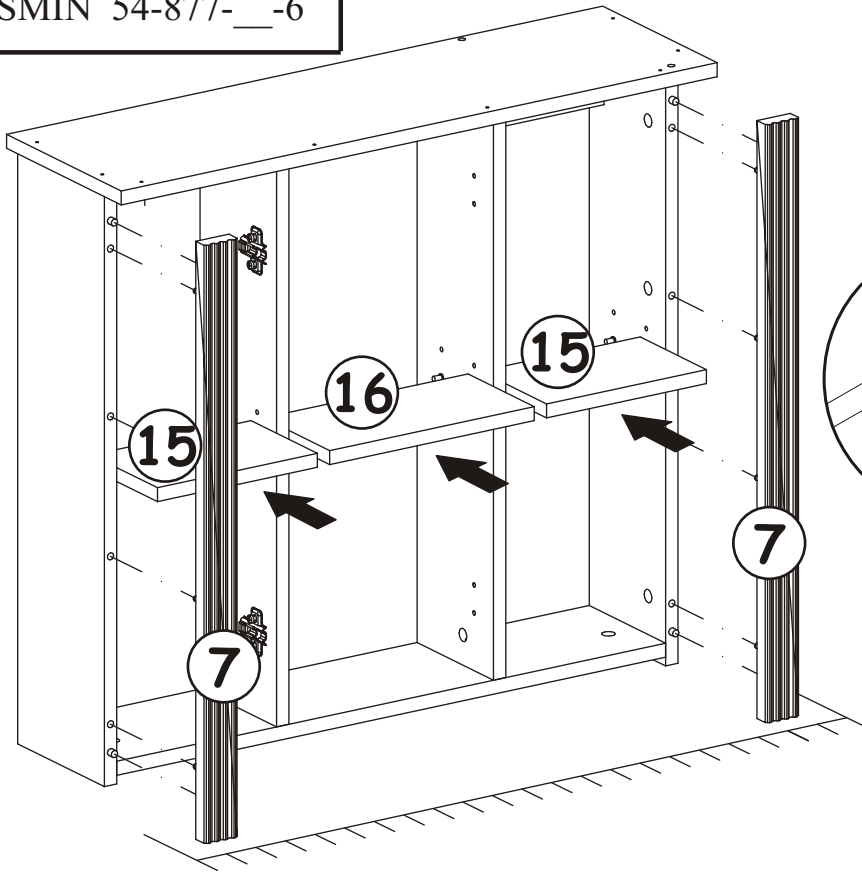
S1	
x10	
UP13	
x6	UP03x16
G16	
x6	

8

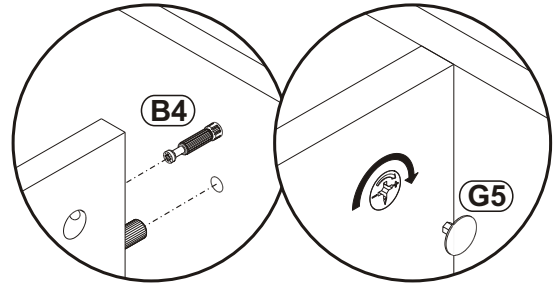


LT3	
x1	

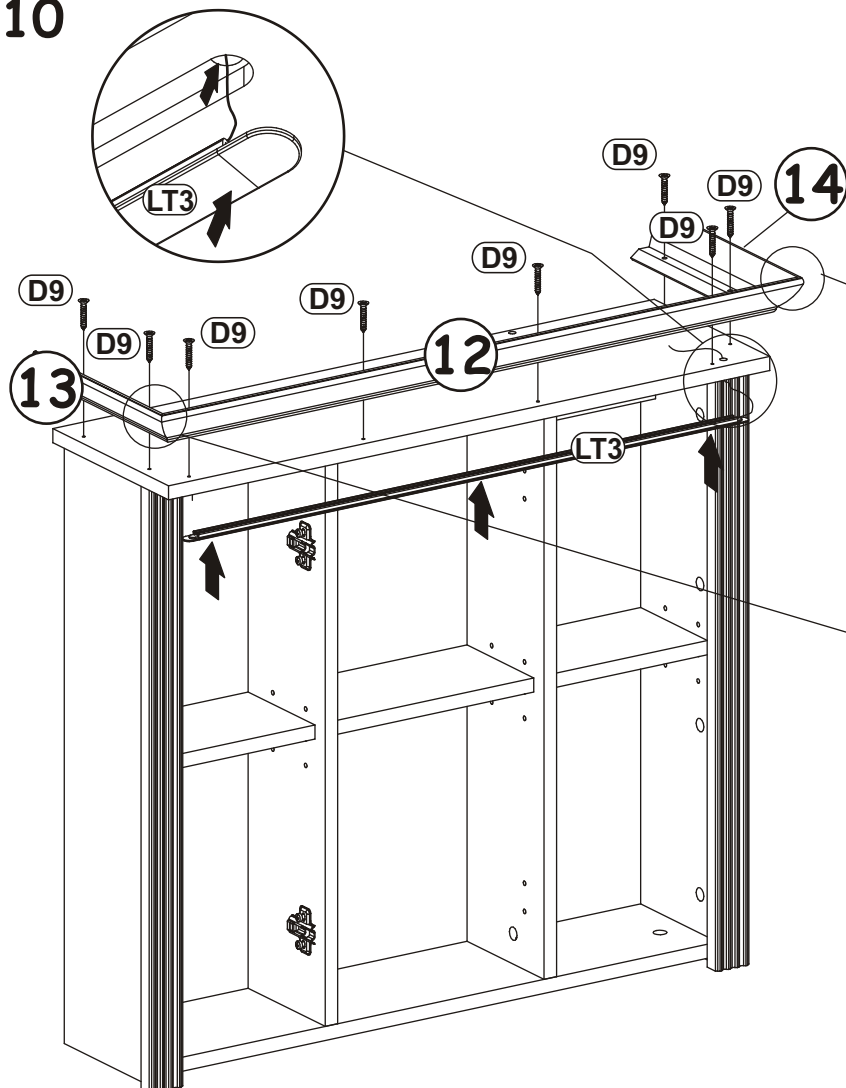
9



G5	
x8	

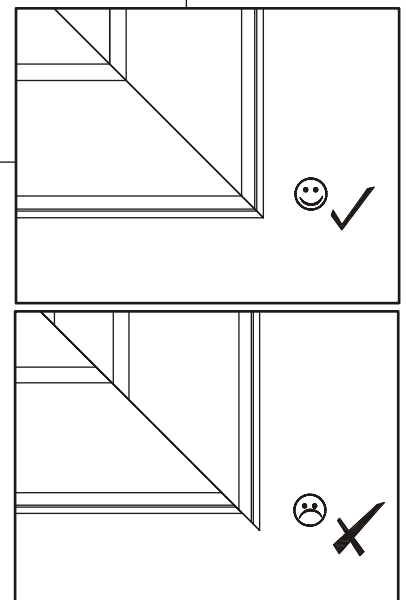


10

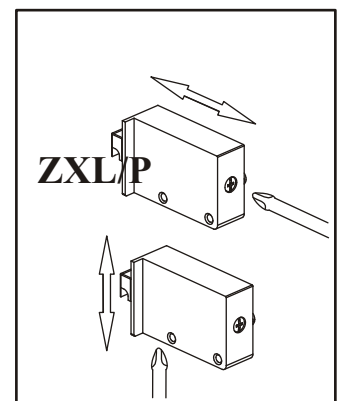
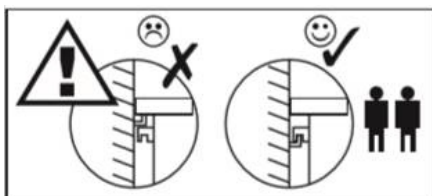
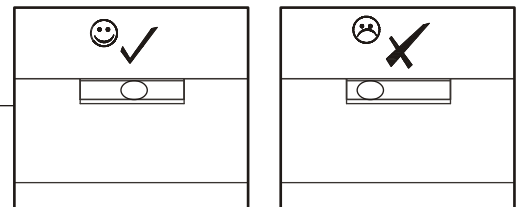
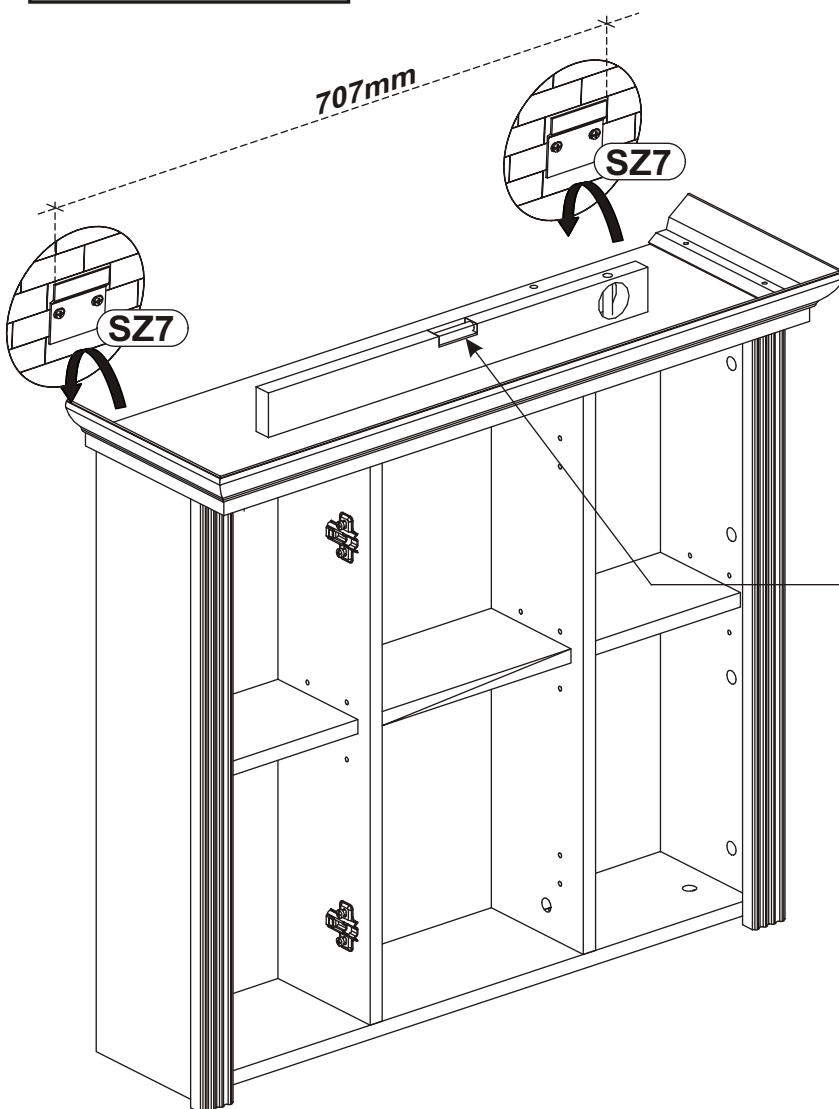
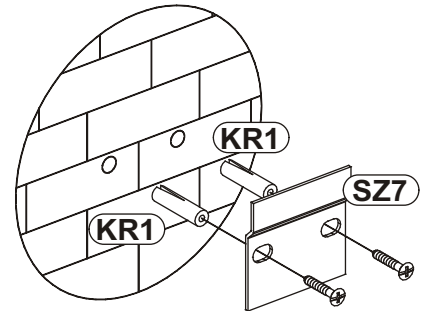
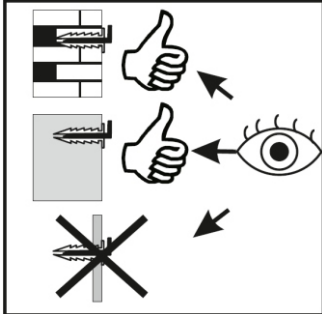
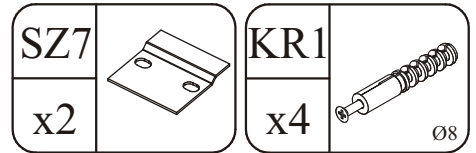


D9	
x8	USØ3x20

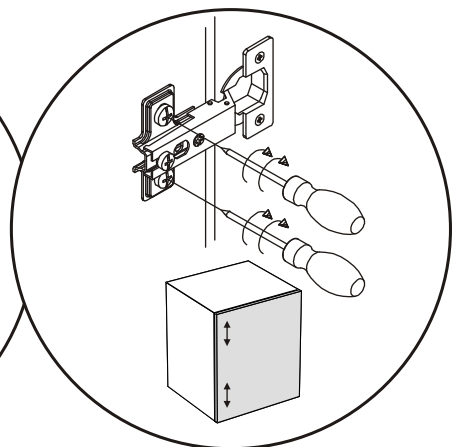
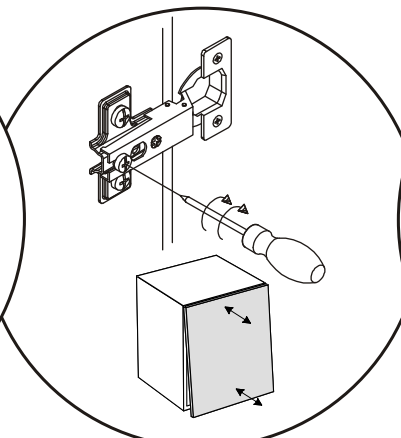
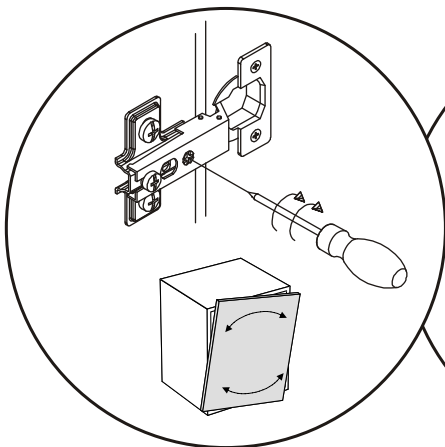
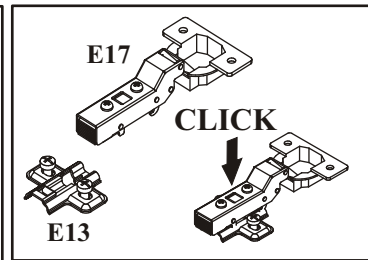
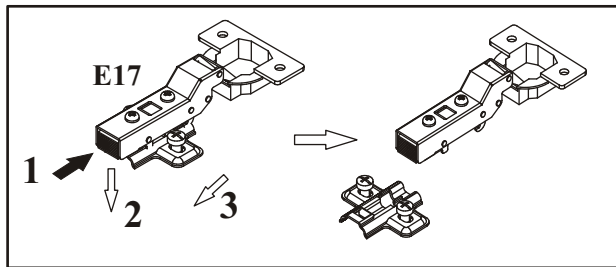
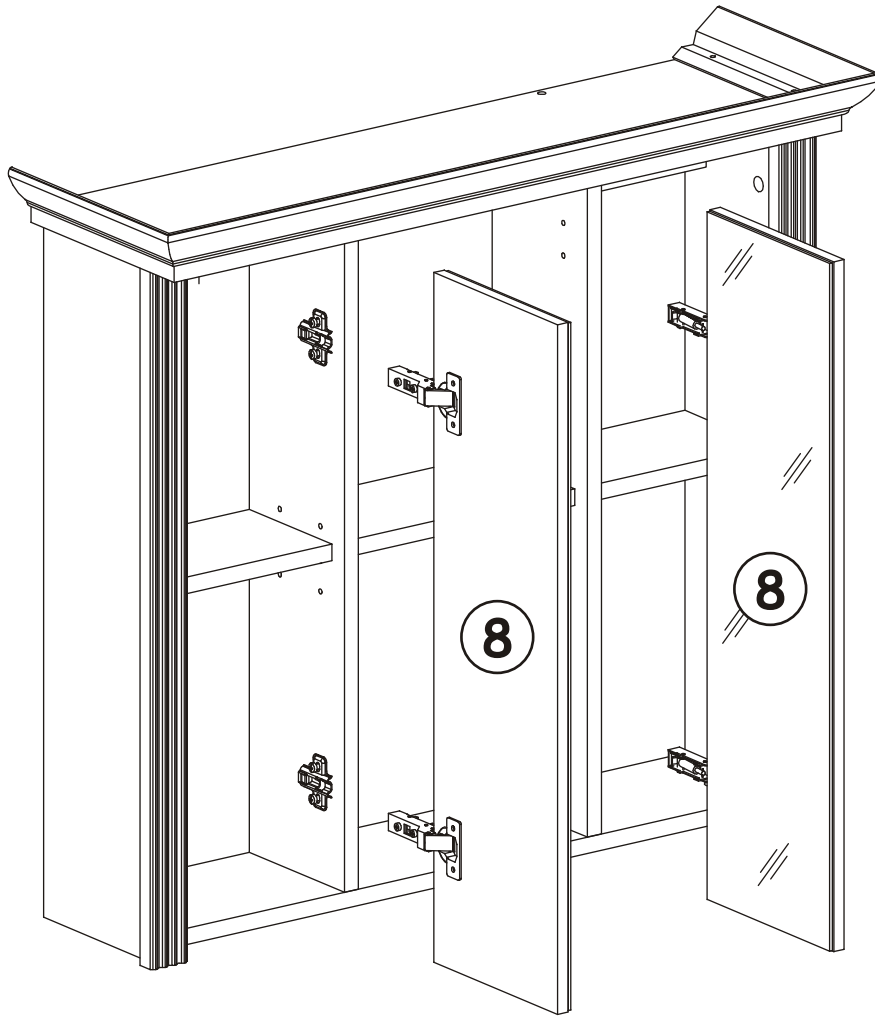
LT3	
x1	



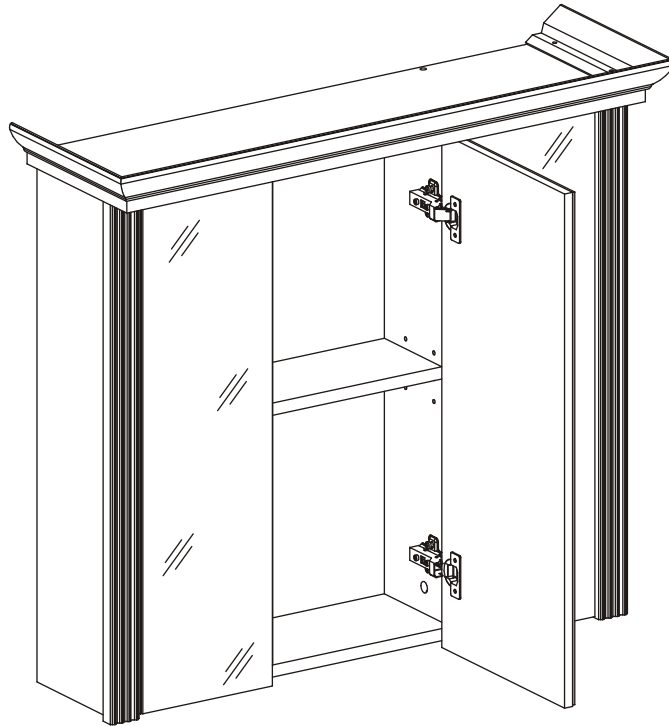
11



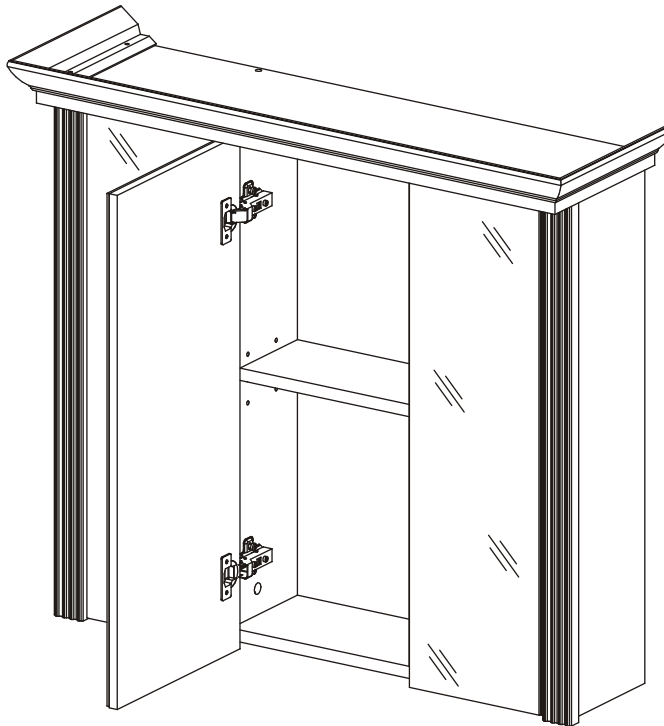
12



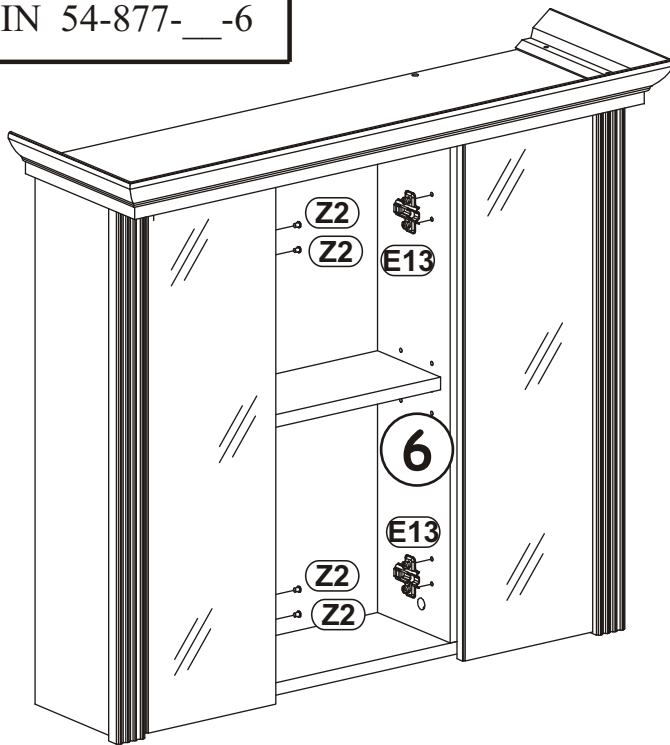
13 - 14



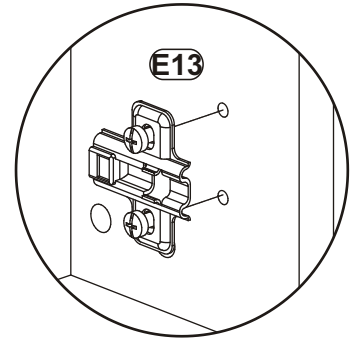
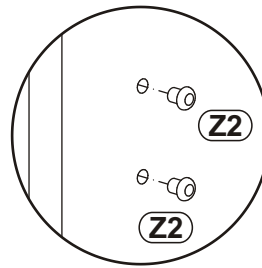
15 - 16



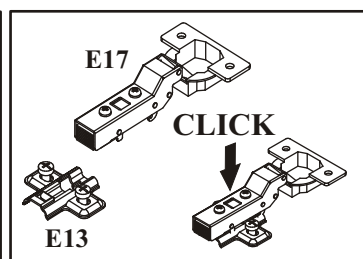
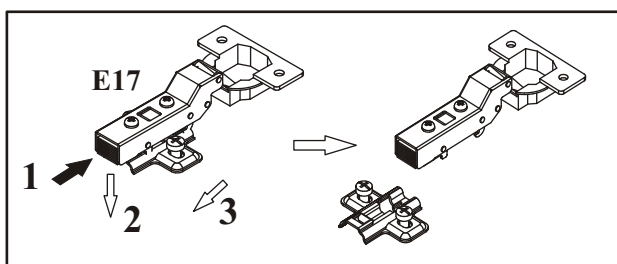
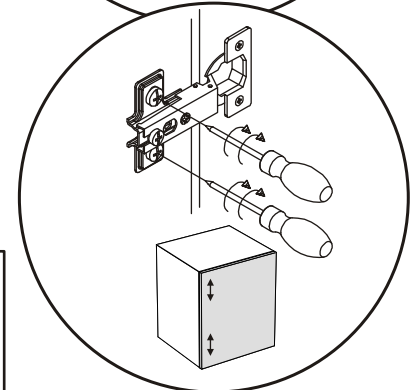
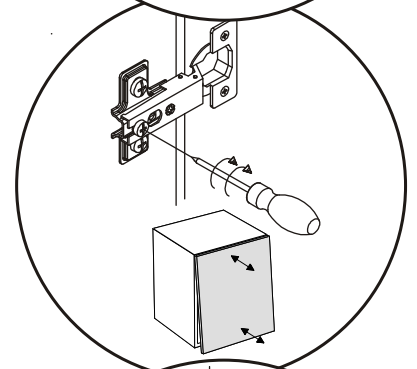
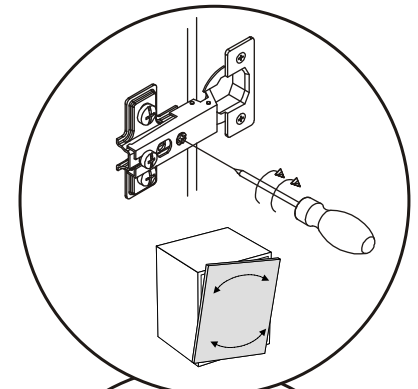
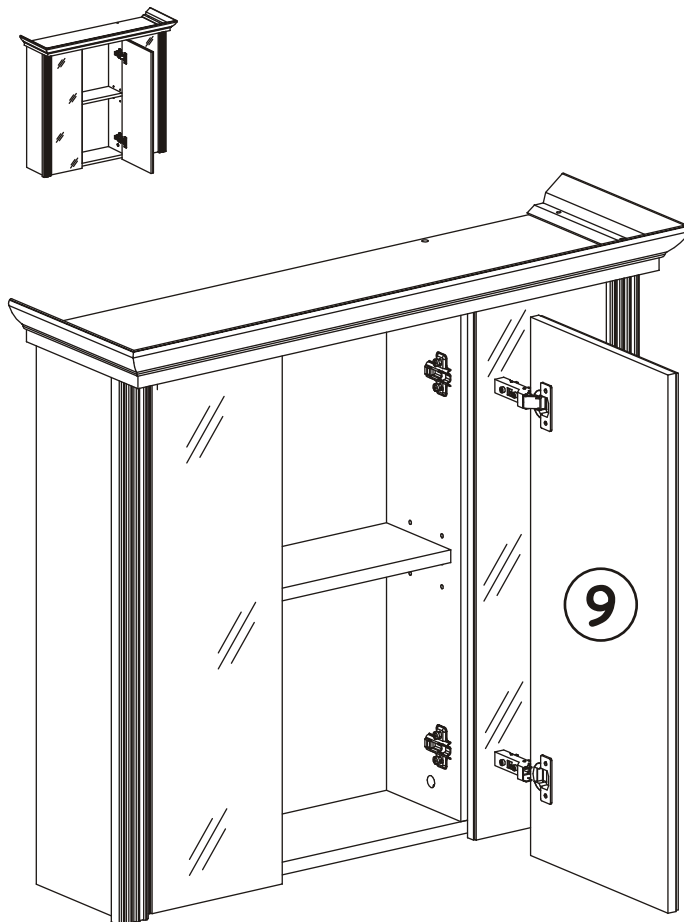
13



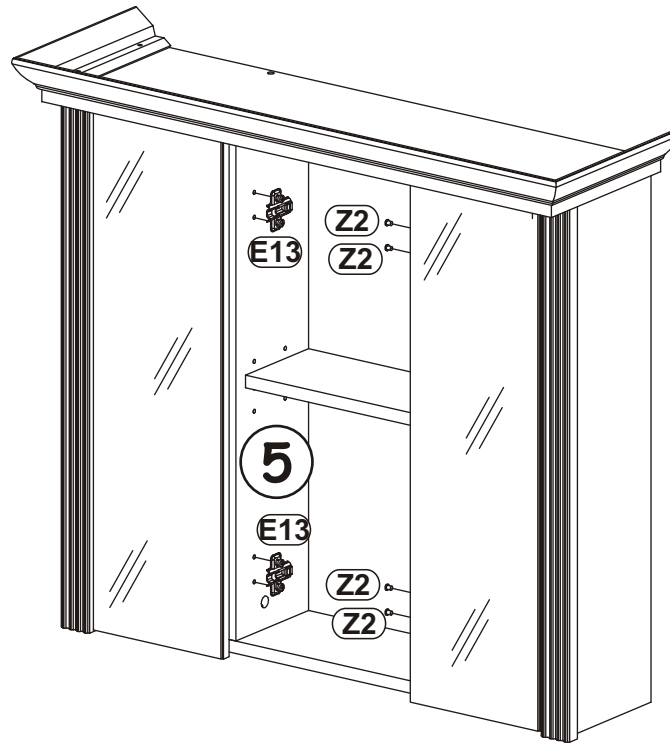
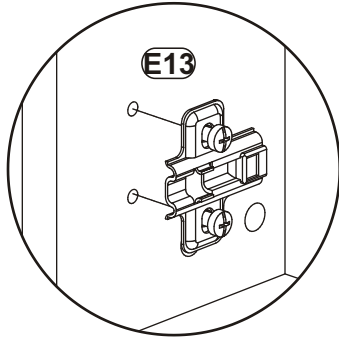
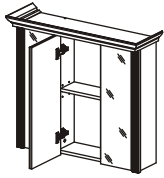
E13	
x2	H=0
Z2	
x4	Ø5



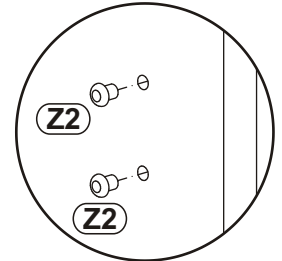
14



15



E13	
x2	H=0
Z2	
x4	Ø5



16

