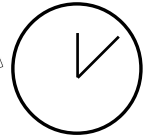
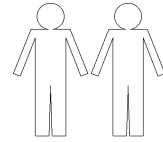
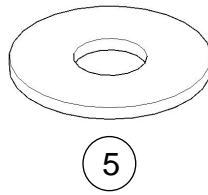
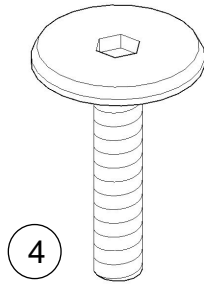
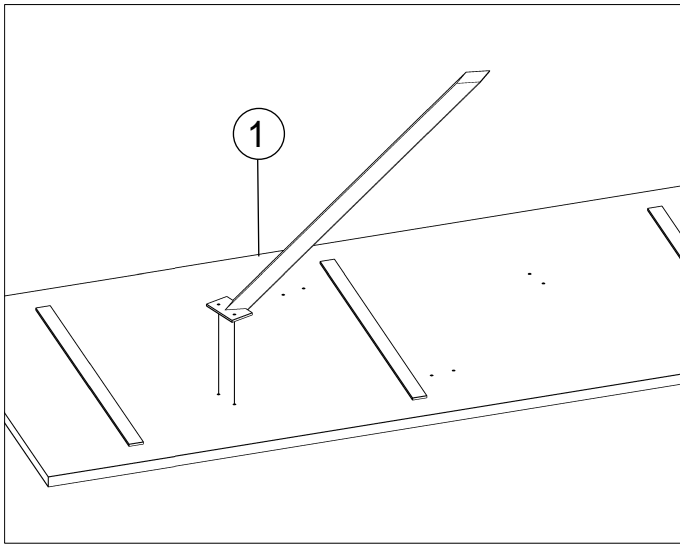


COMPONENTS

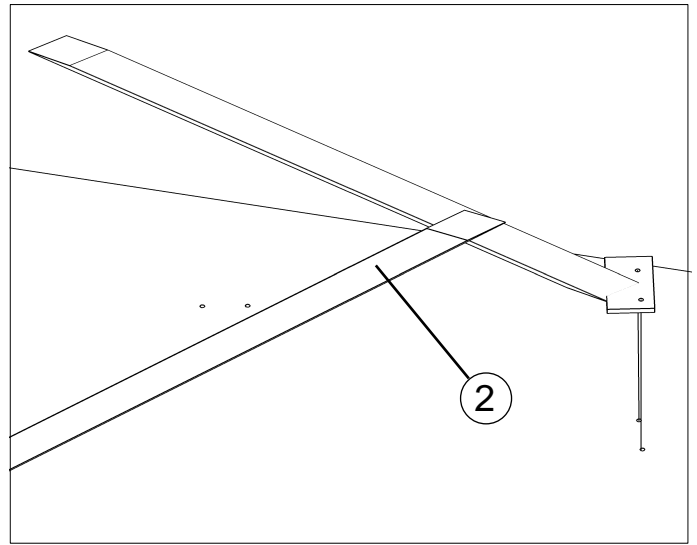
1.	live edge epoxy top	1
2.	Leg	4
3.	Bolts	14
4.	Washer	14
5.	Allen key	1



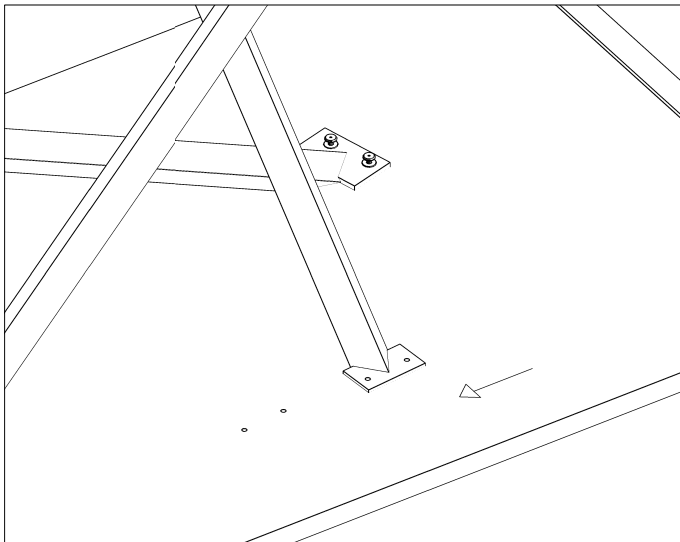
10 min



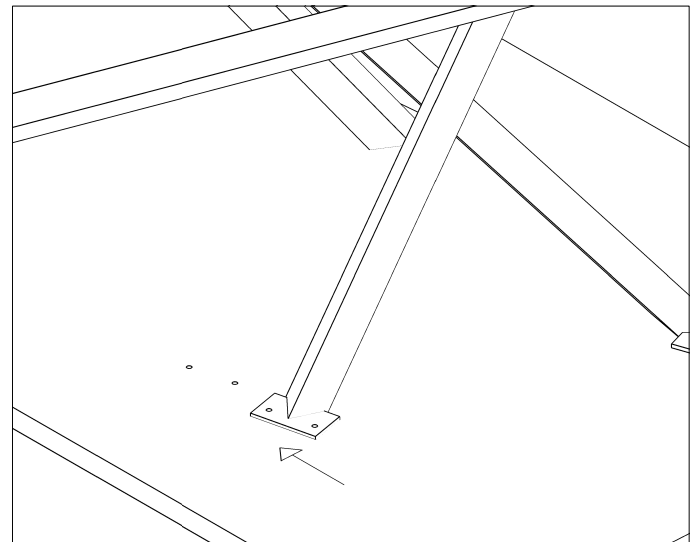
Step 1



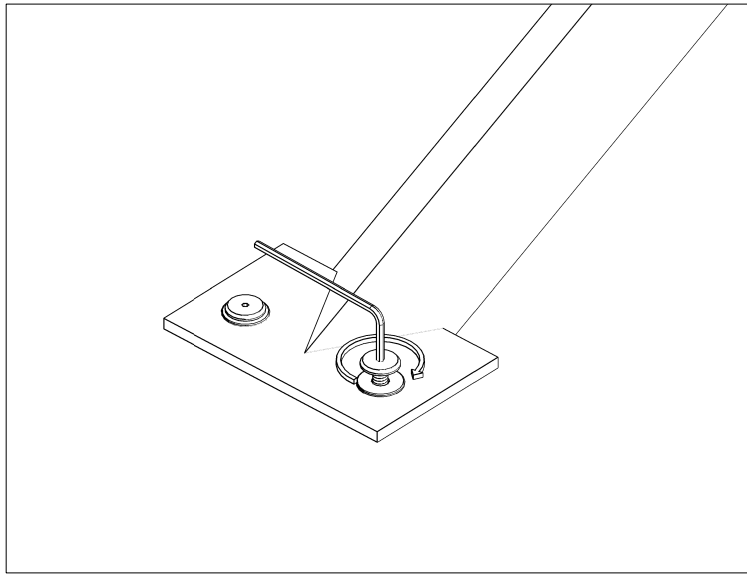
Step 2



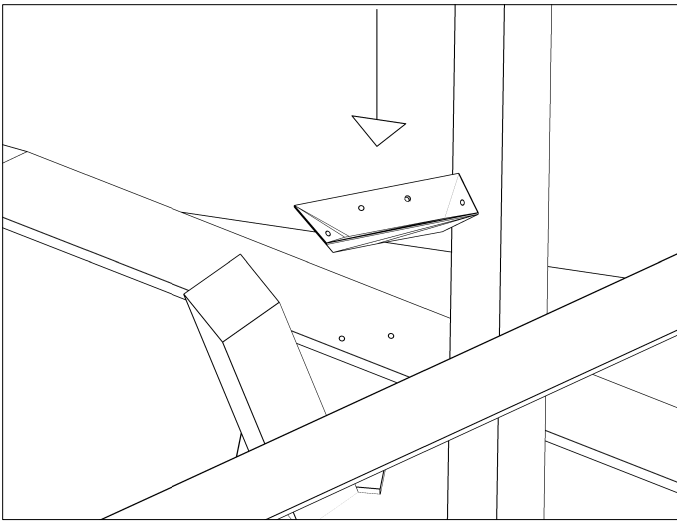
Step 3



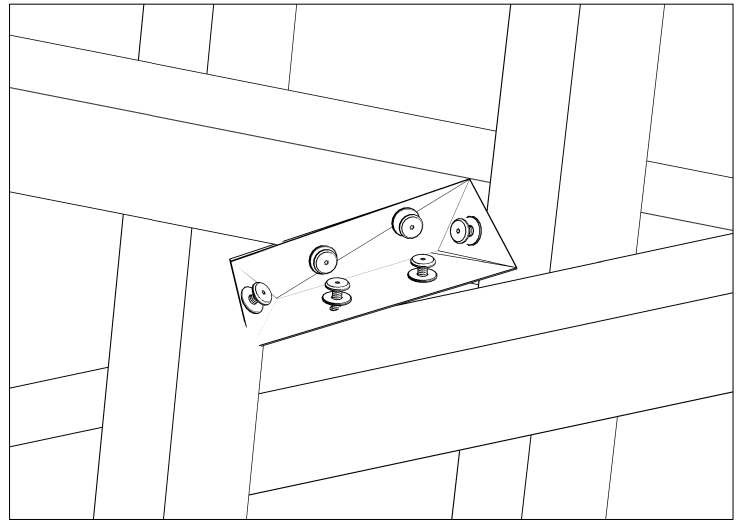
Step 4



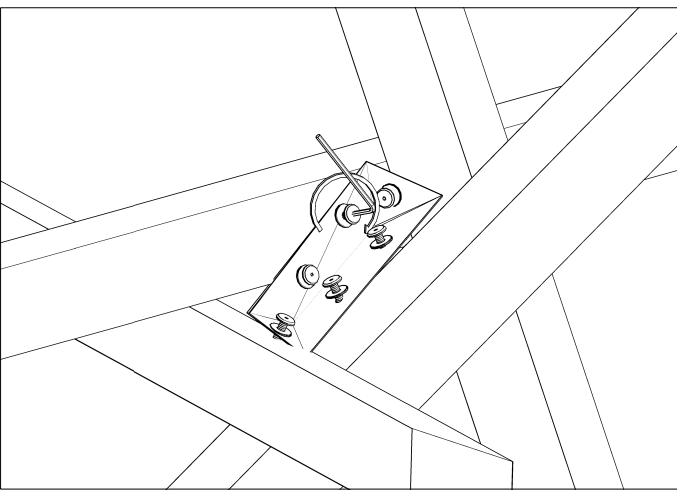
Step 5:- Attache All leg with bolts one by one to The Table Top and Tight them using Allen key



Step 6



Step 7



Step 8

