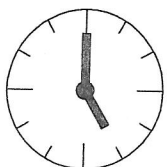
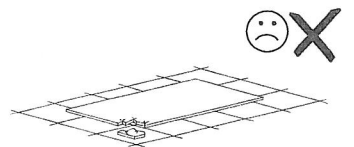
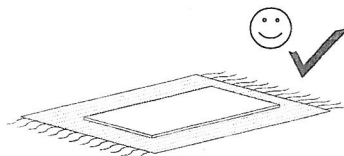
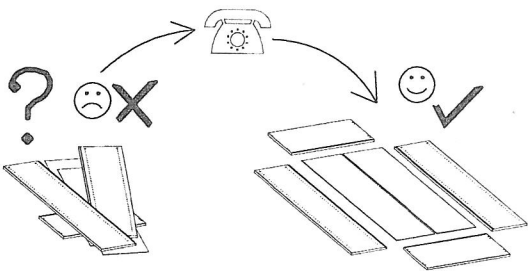
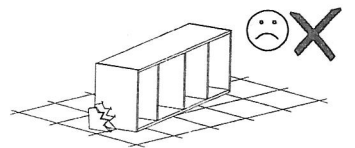
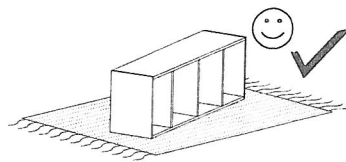
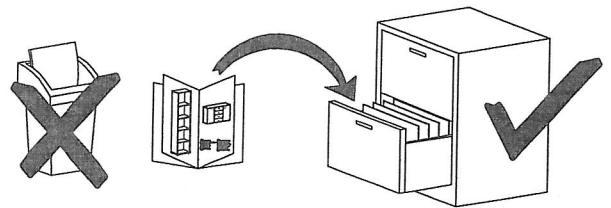
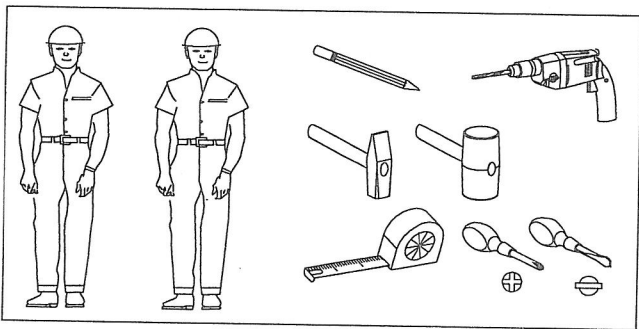
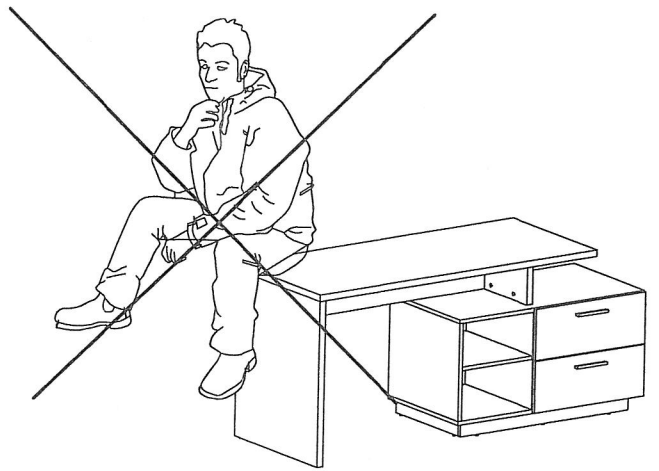
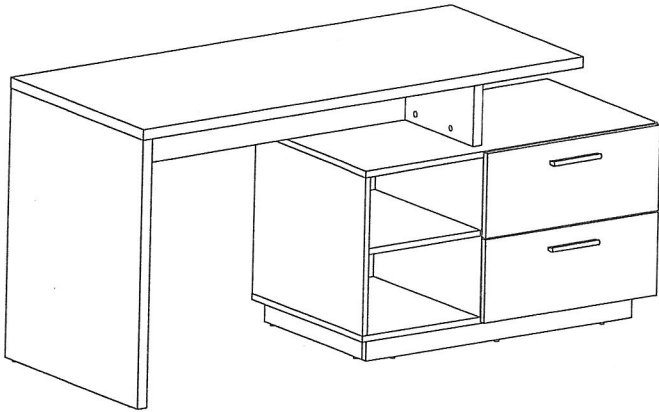


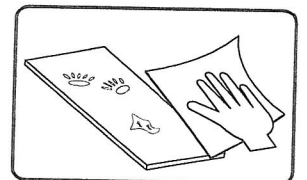
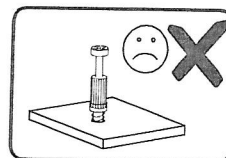
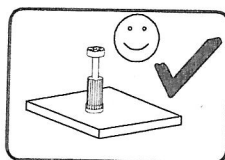
# ARTI SCHREIBTISCH

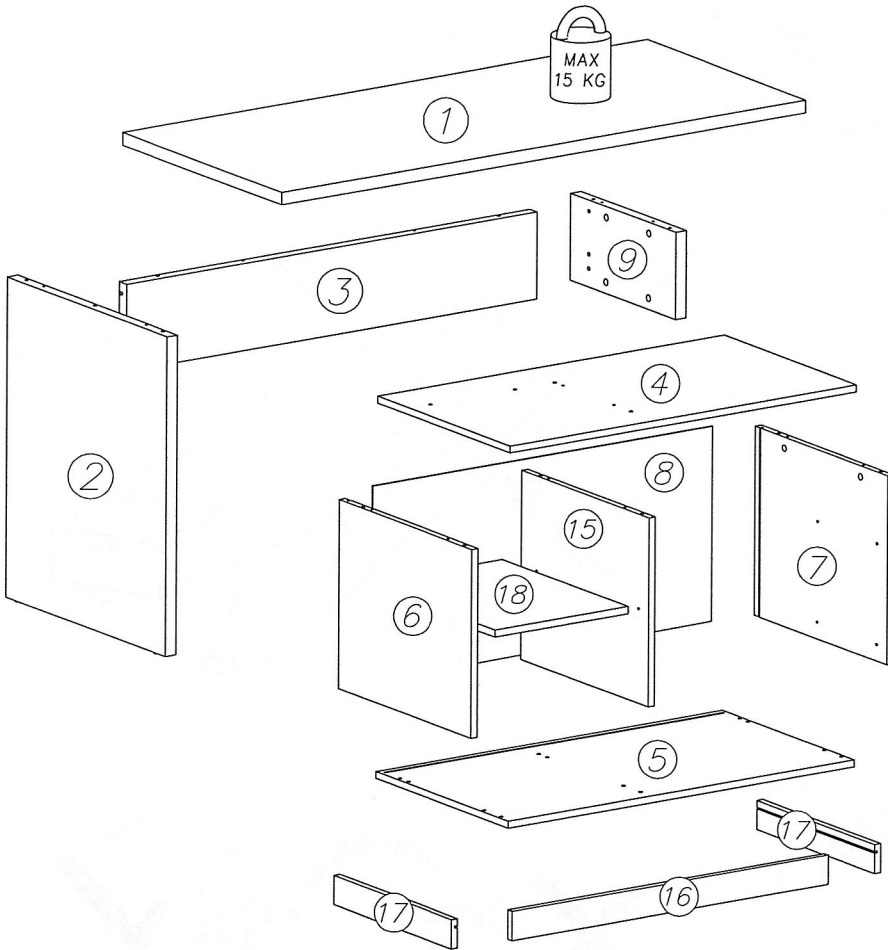
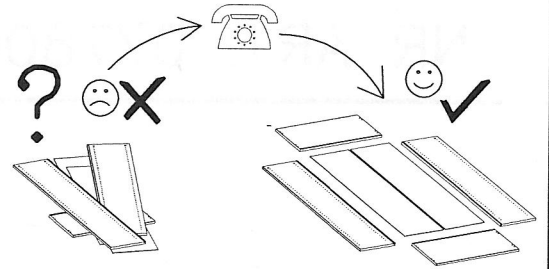
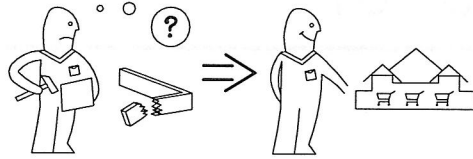
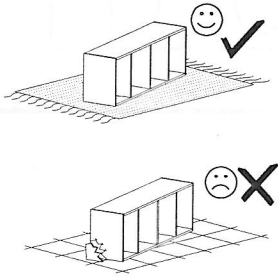
NR ART. 07780055-01

xora

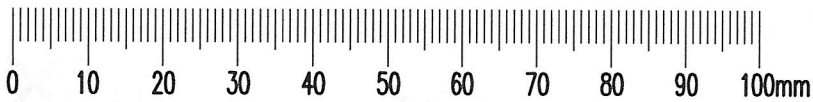
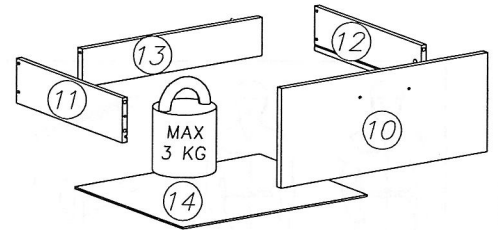




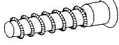
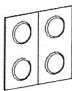

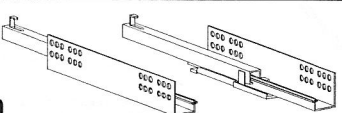
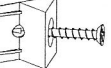
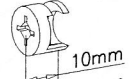
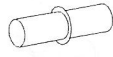

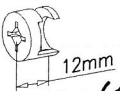

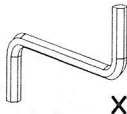

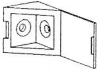
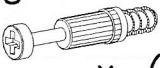

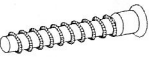
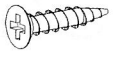

2,5h

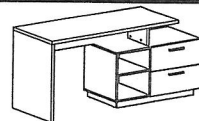




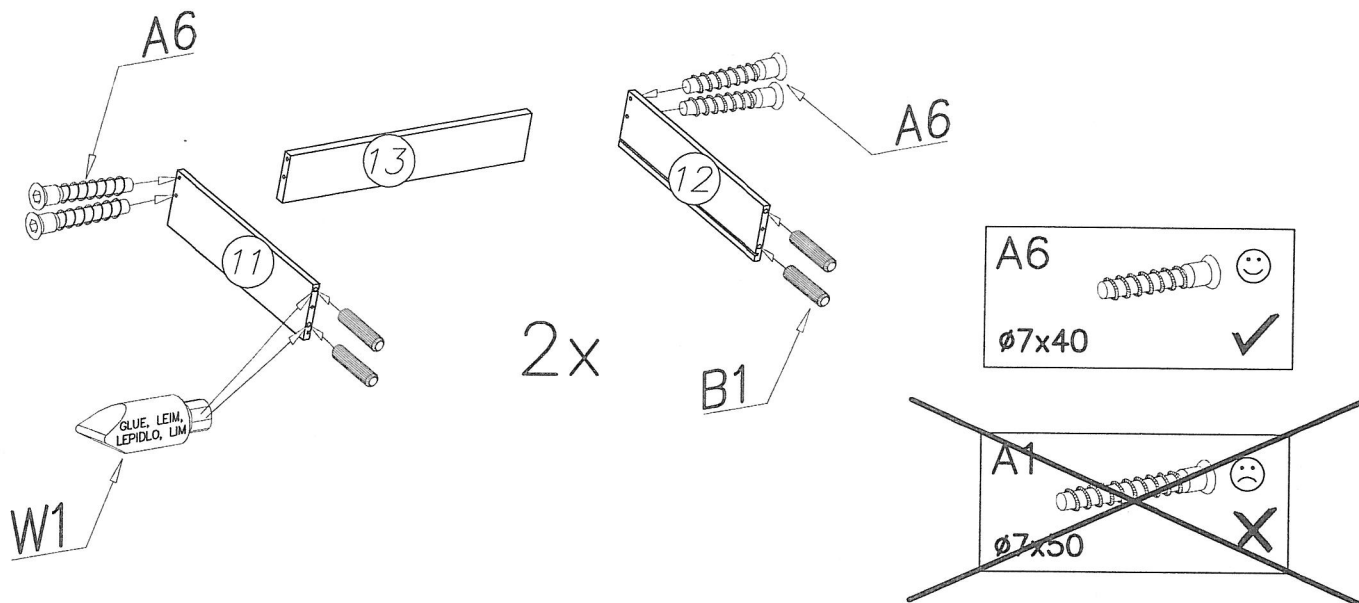
nr	L[mm]	B[mm]	T[mm]	Menge	Colli
1	1380	600	28	1	2/2
2	713	590	28	1	2/2
3	1080	194	28	1	1/2
4	915	500	16	1	1/2
5	915	500	16	1	1/2
6	422	500	16	1	1/2
7	422	500	16	1	1/2
8	894	434	3	1	2/2
9	194	396	28	1	1/2
10	542	222	16	2	2/2
11	400	100	12	2	2/2
12	400	100	12	2	2/2
13	475	86	16	2	2/2
14	485	407	3	2	2/2
15	422	480	16	2	1/2
16	835	65	16	1	1/2
17	444	65	16	2	1/2
18	351	475	16	1	1/2



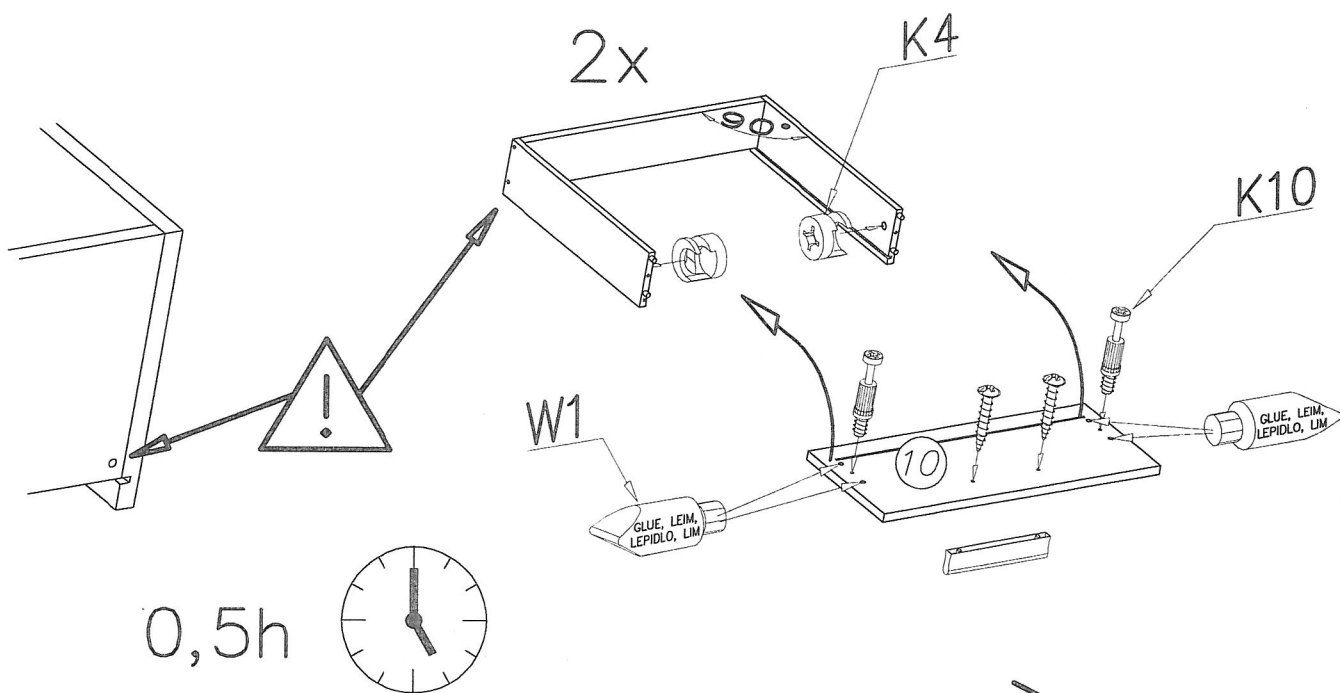
<b>F12</b>  x...(8)		<b>G8</b>  4x30 x...(4)		<b>A6</b>  $\varnothing 7 \times 40$ x...(8)		<b>W3</b>  x...(4)		<b>I18</b>  xora x...(1)	
<b>H14</b>  400mm x...(2)		<b>I1</b>  x...(8)		<b>K4</b>  $\varnothing 12 \times 10$ x...(4)		<b>F2</b>  x...(4)		<b>I7</b>  x...(16)	
<b>K1</b>  $\varnothing 15 \times 12$ x...(16)		<b>G50</b>  6x13 x...(8)		<b>W2</b>  x...(1)		<b>W1</b>  GLUE, LEIM, LEPIDLO, LIM x...(1)		<b>F4</b>  x...(2)	
<b>K10</b>  x...(20)		<b>B1</b>  $\varnothing 8 \times 35$ x...(33)		<b>A1</b>  $\varnothing 7 \times 50$ x...(8)		<b>G34</b>  3,5x16 x...(56)		<b>E1</b>  128mm x...(2)	



I



II



K4

ø12x10

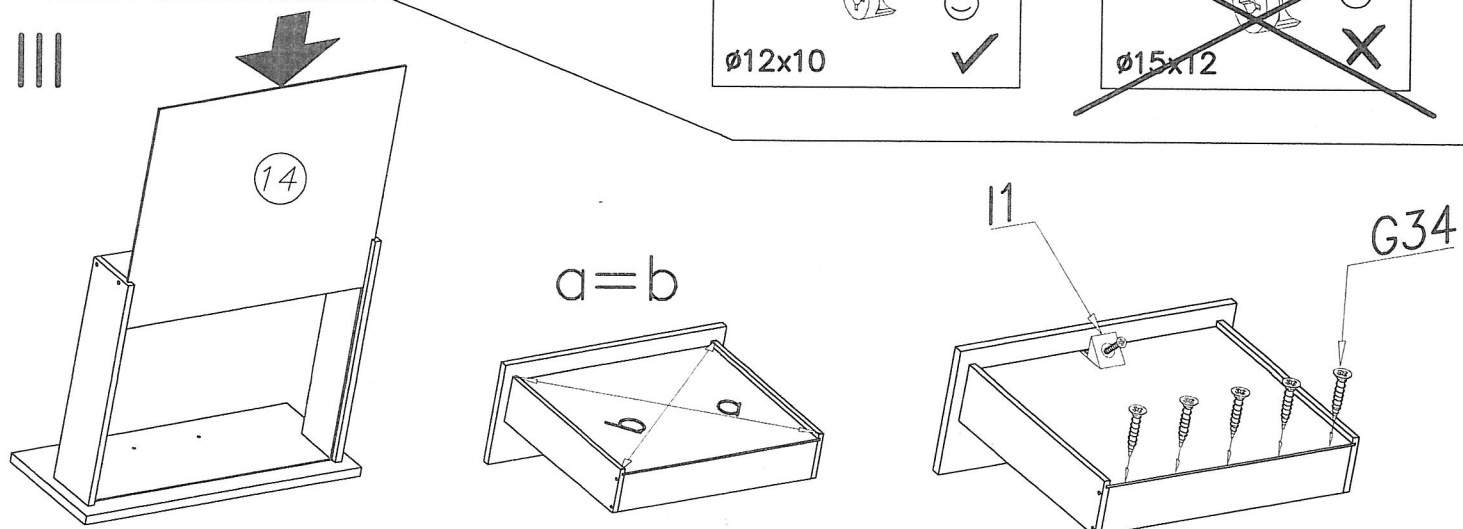
✓

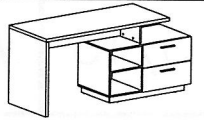
~~K1~~

~~ø15x12~~

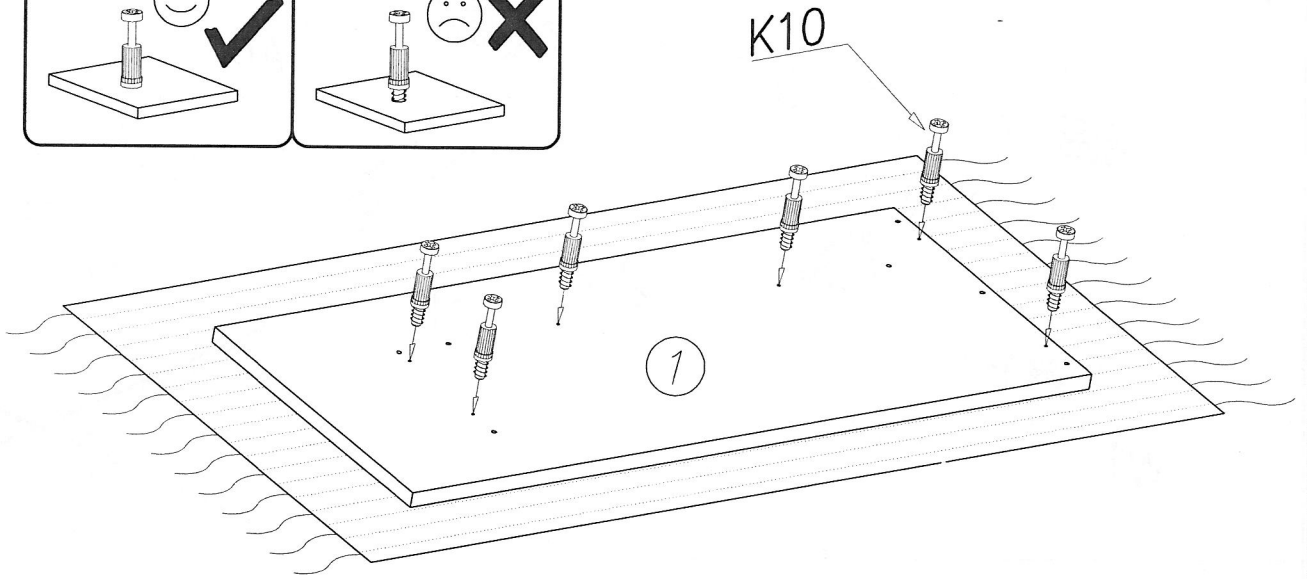
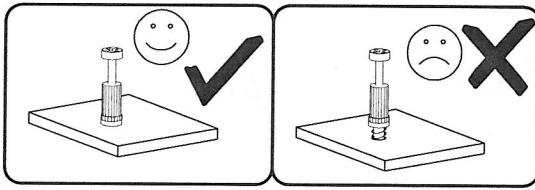
~~✗~~

III

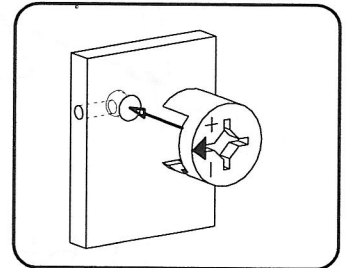
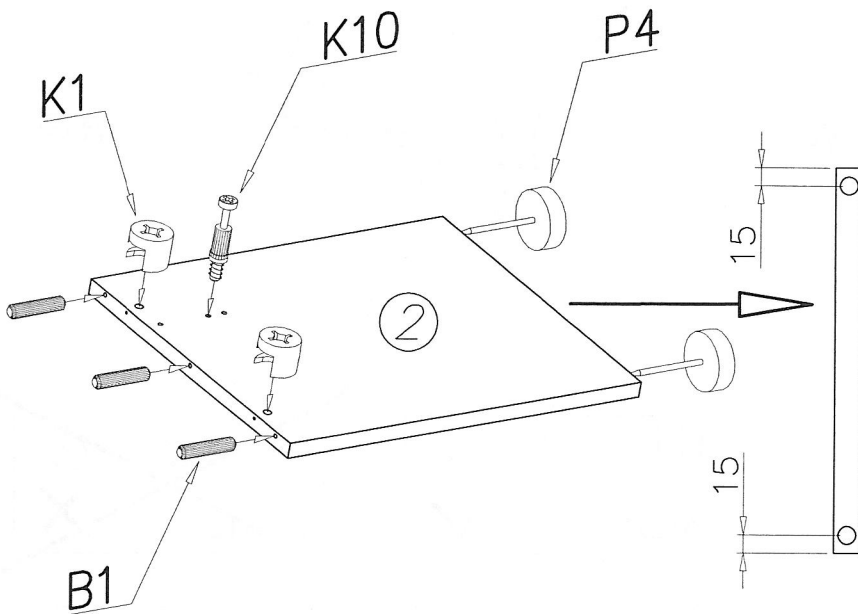
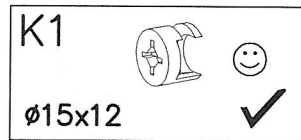
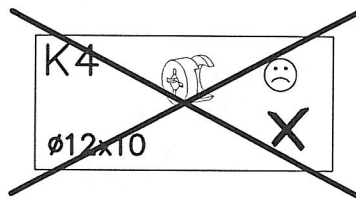




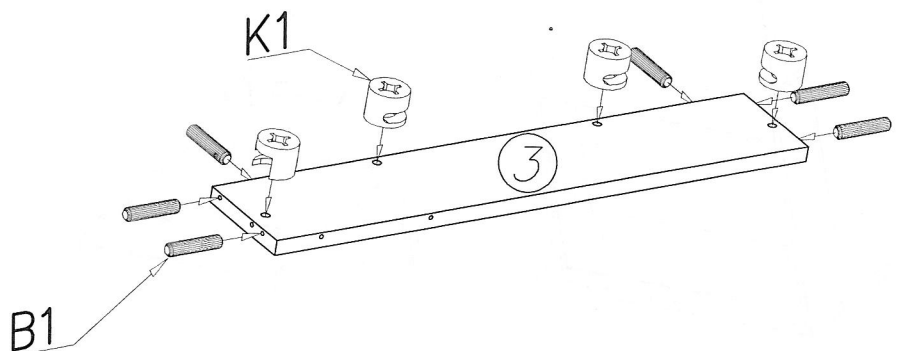
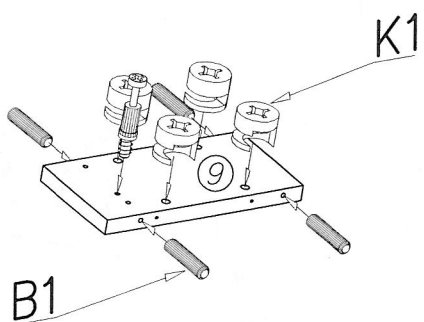
IV

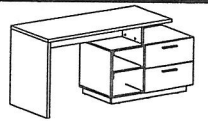


V

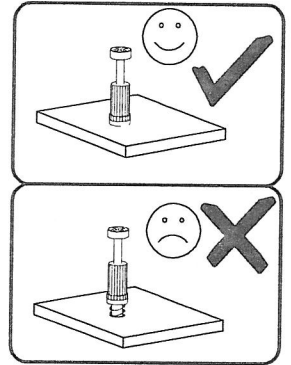
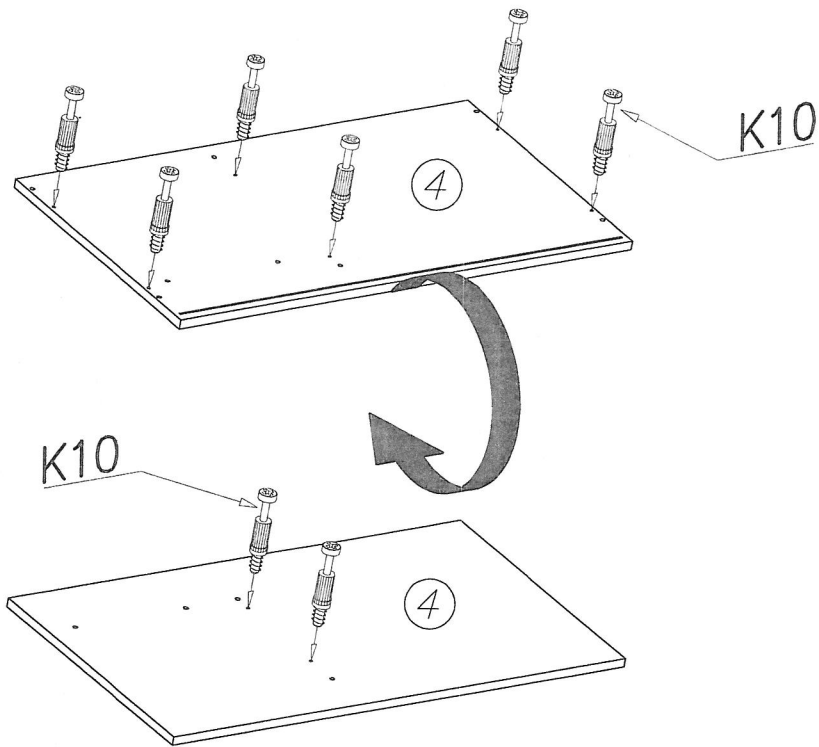


VI

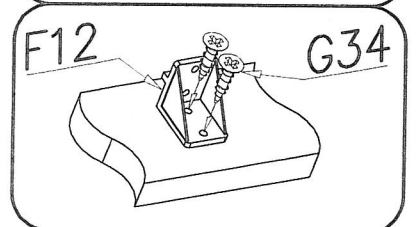
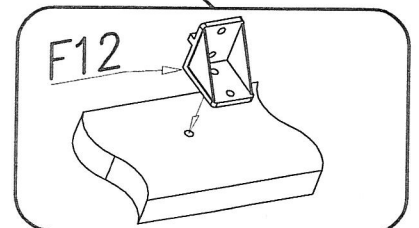
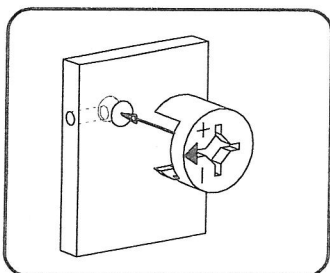
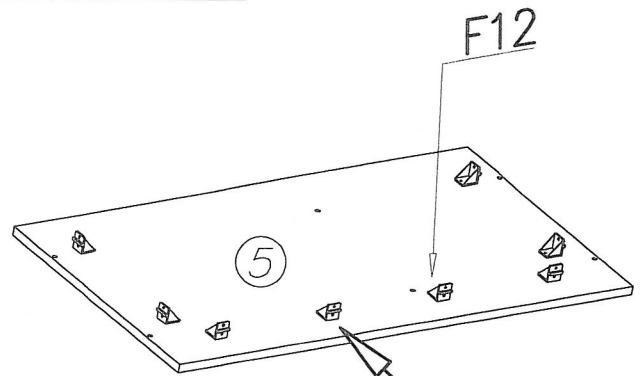
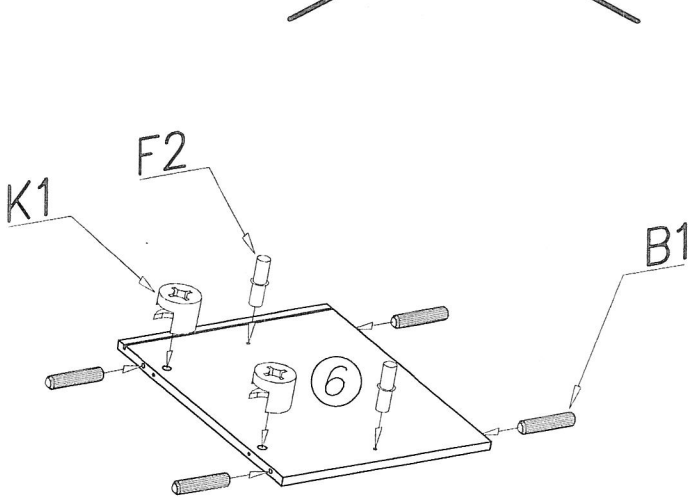
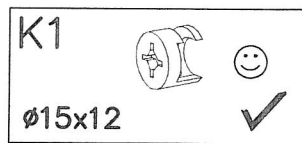
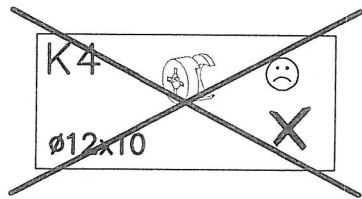


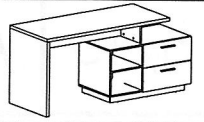


VII

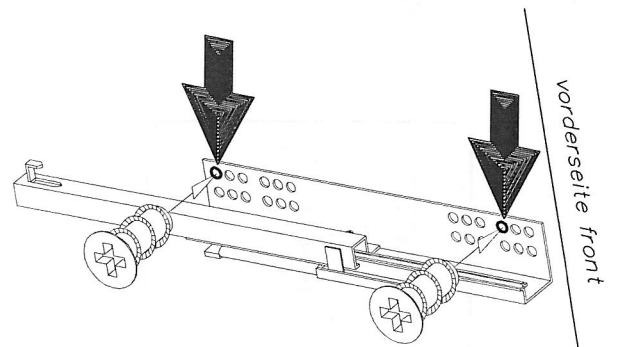
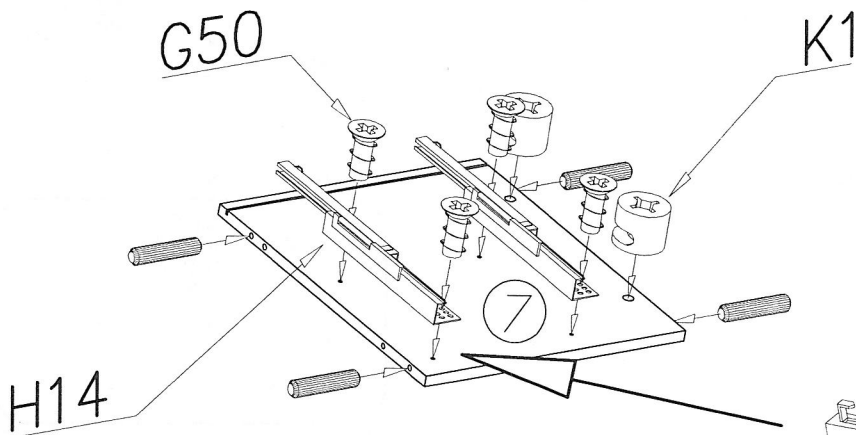
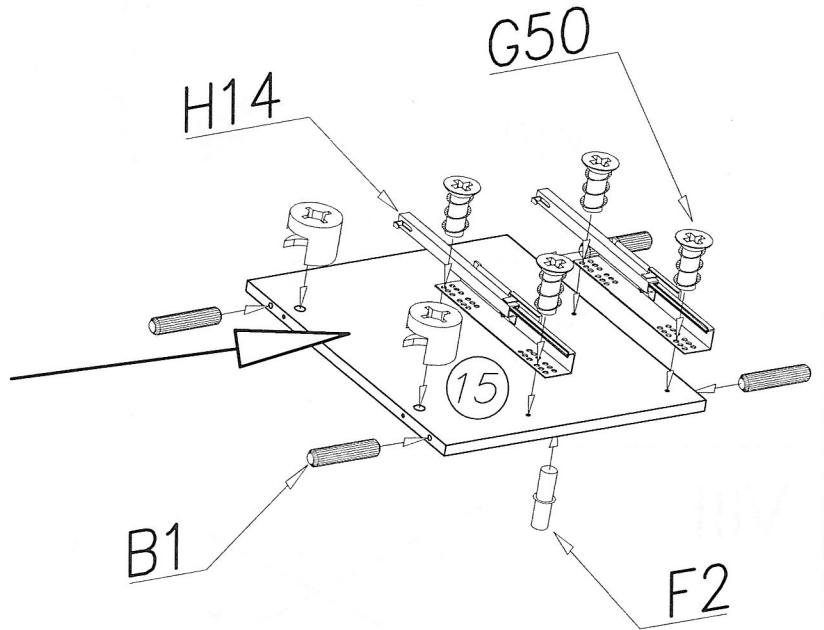
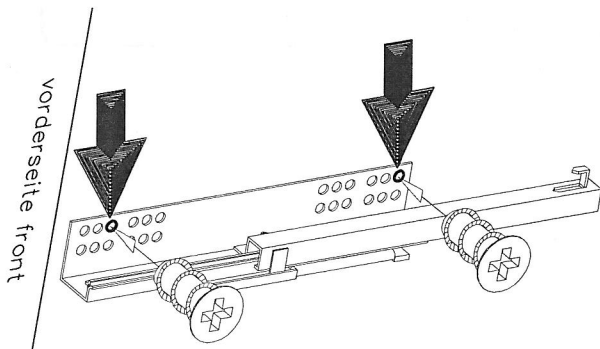
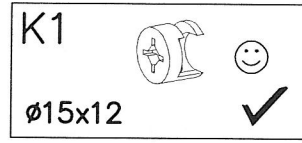
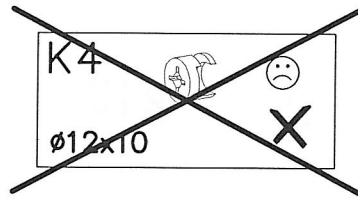


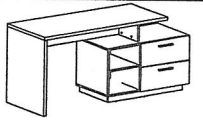
VIII



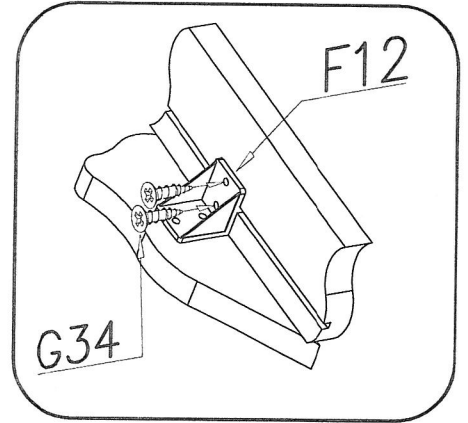
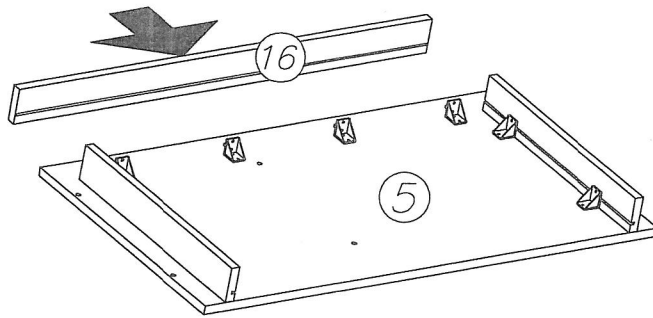
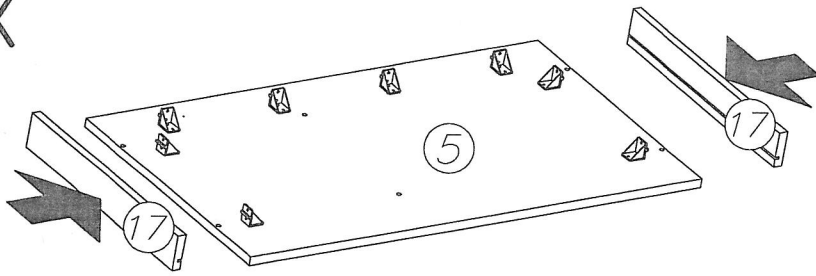


IX

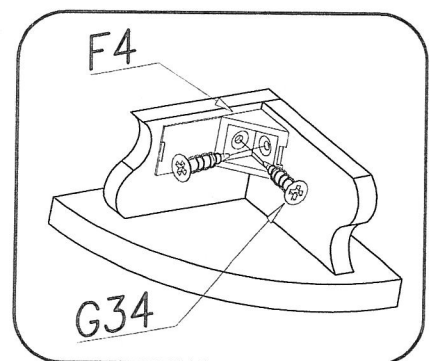
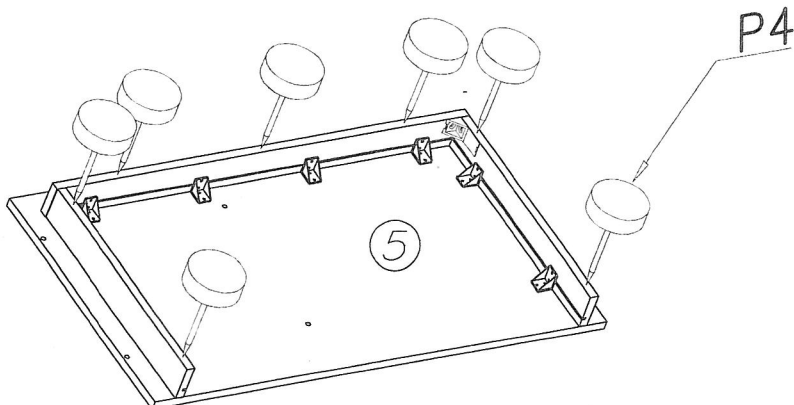
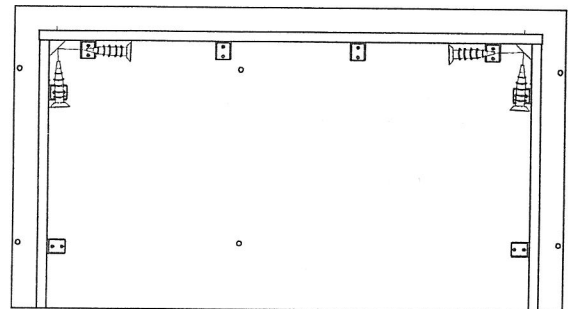
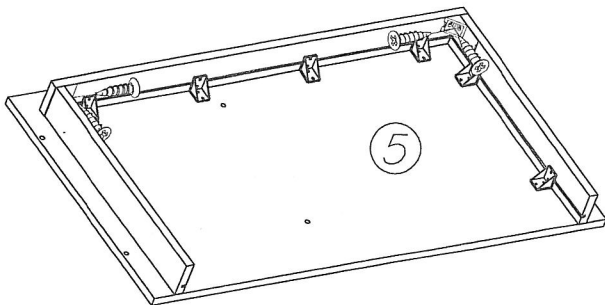


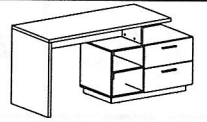


X

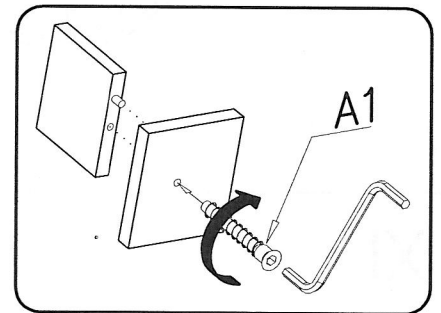
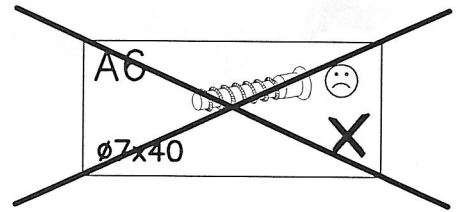
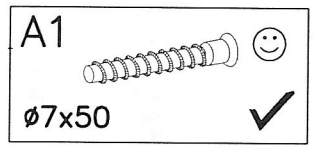
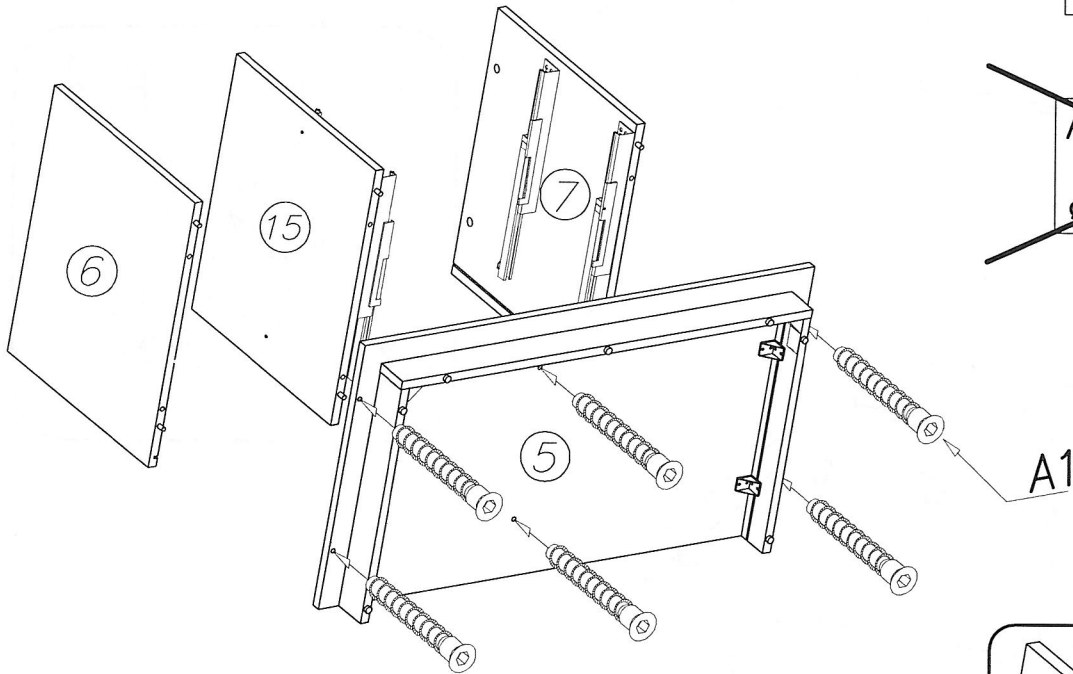


XI

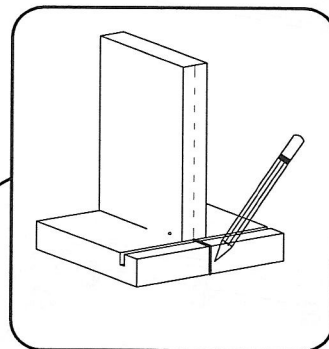
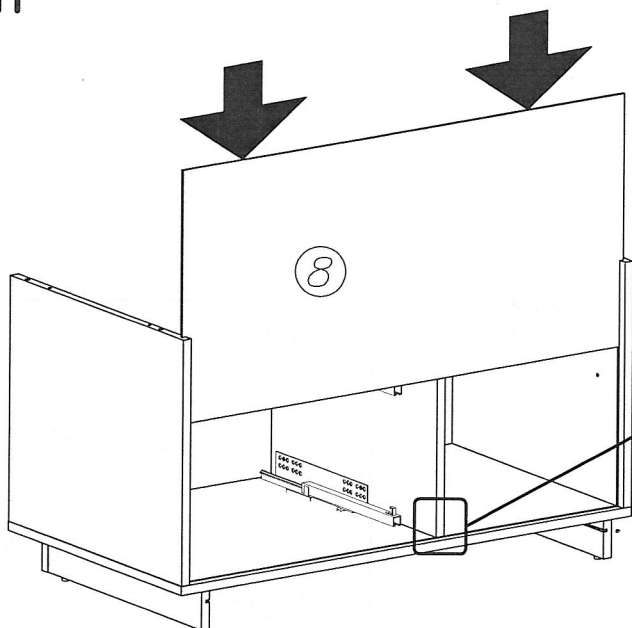




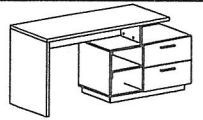
# XII



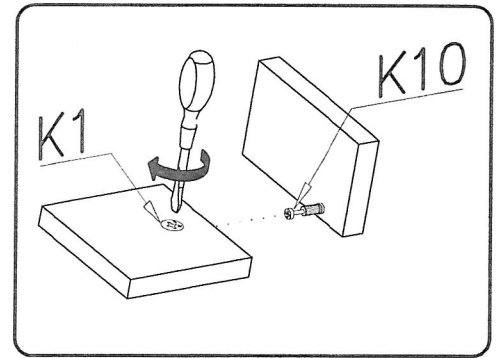
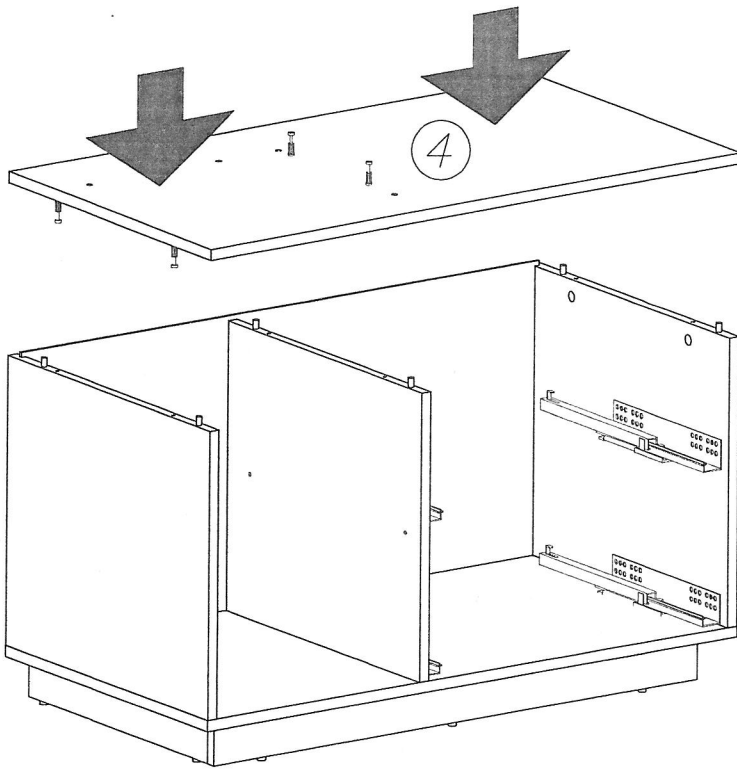
# XIII



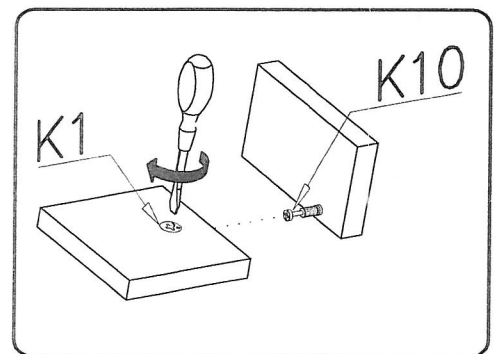
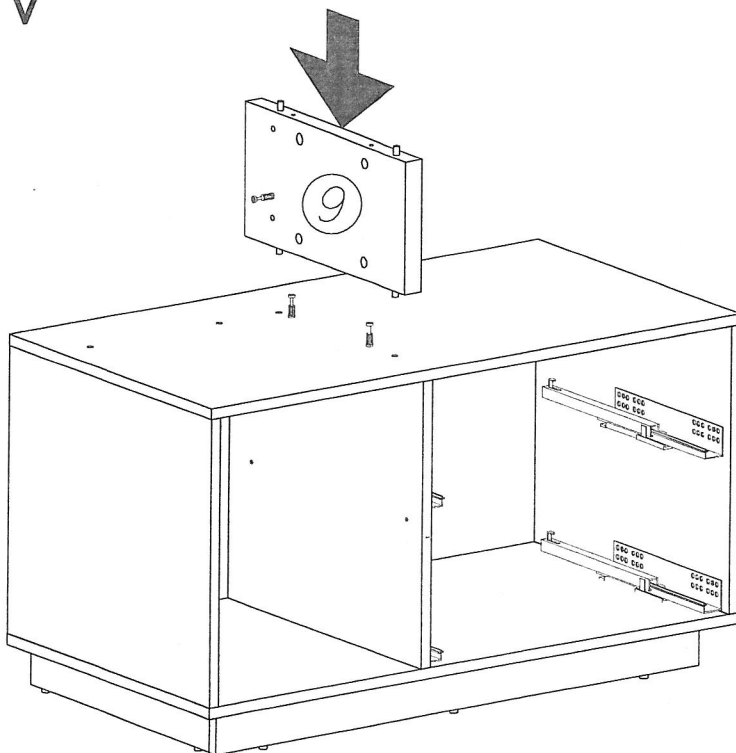


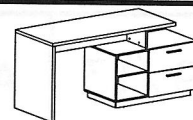


# XIV



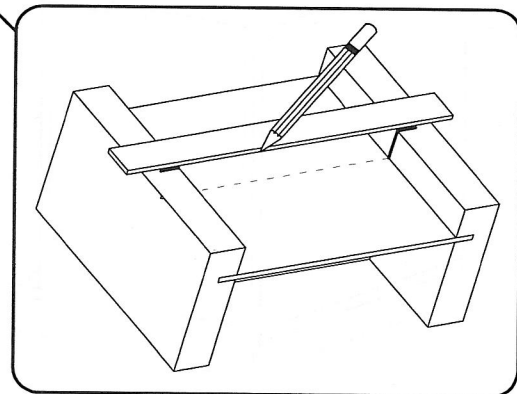
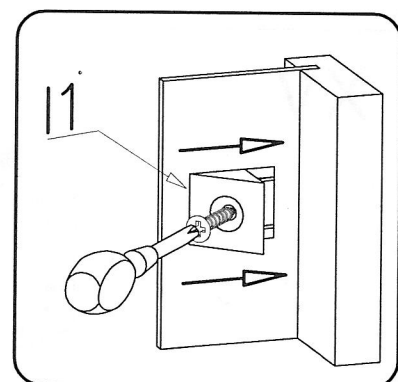
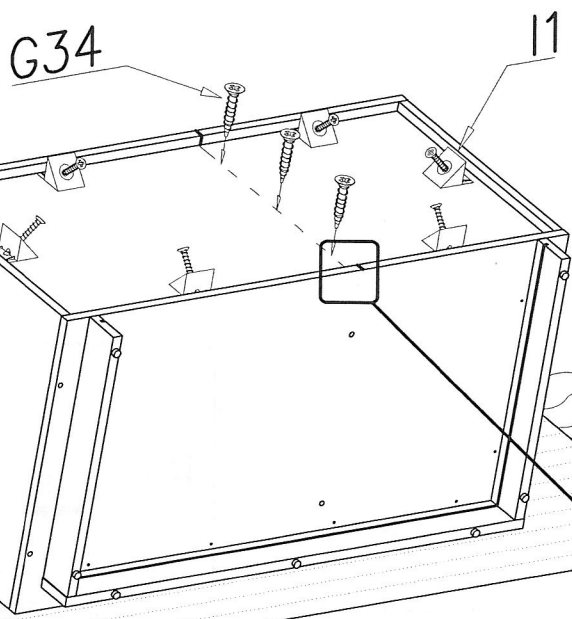
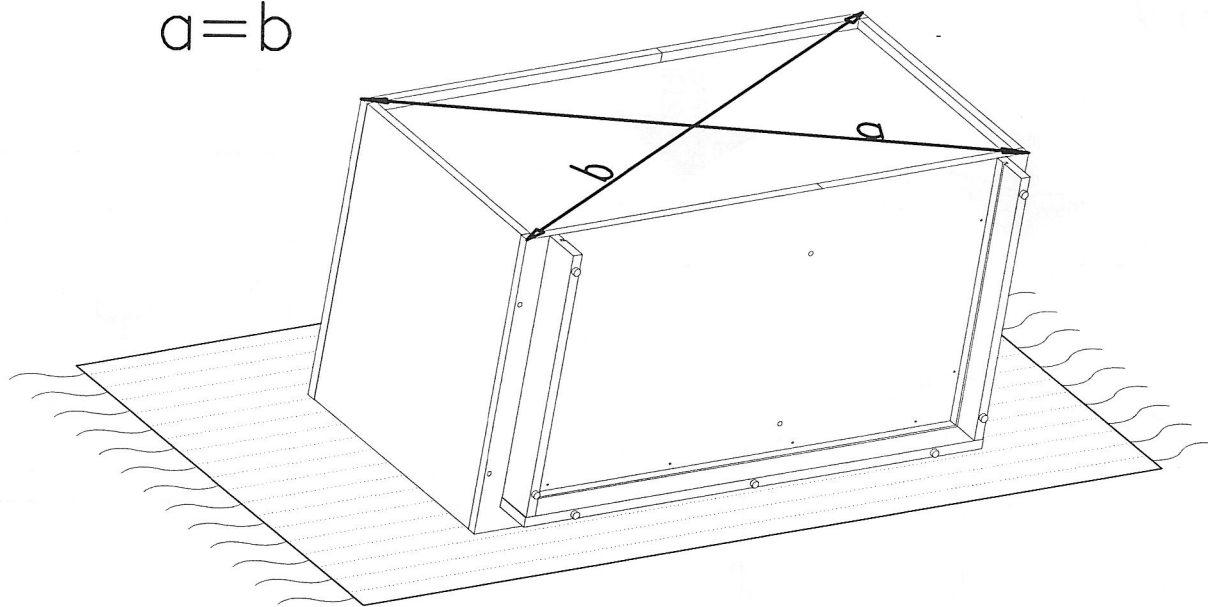
# XV

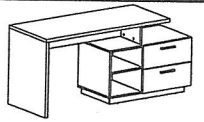




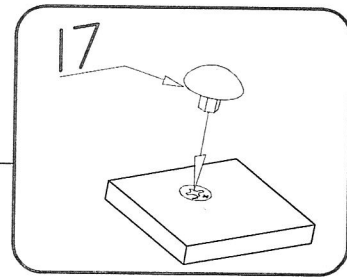
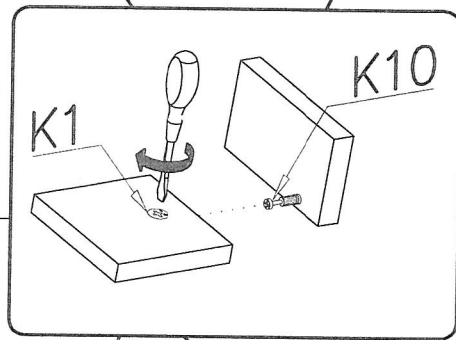
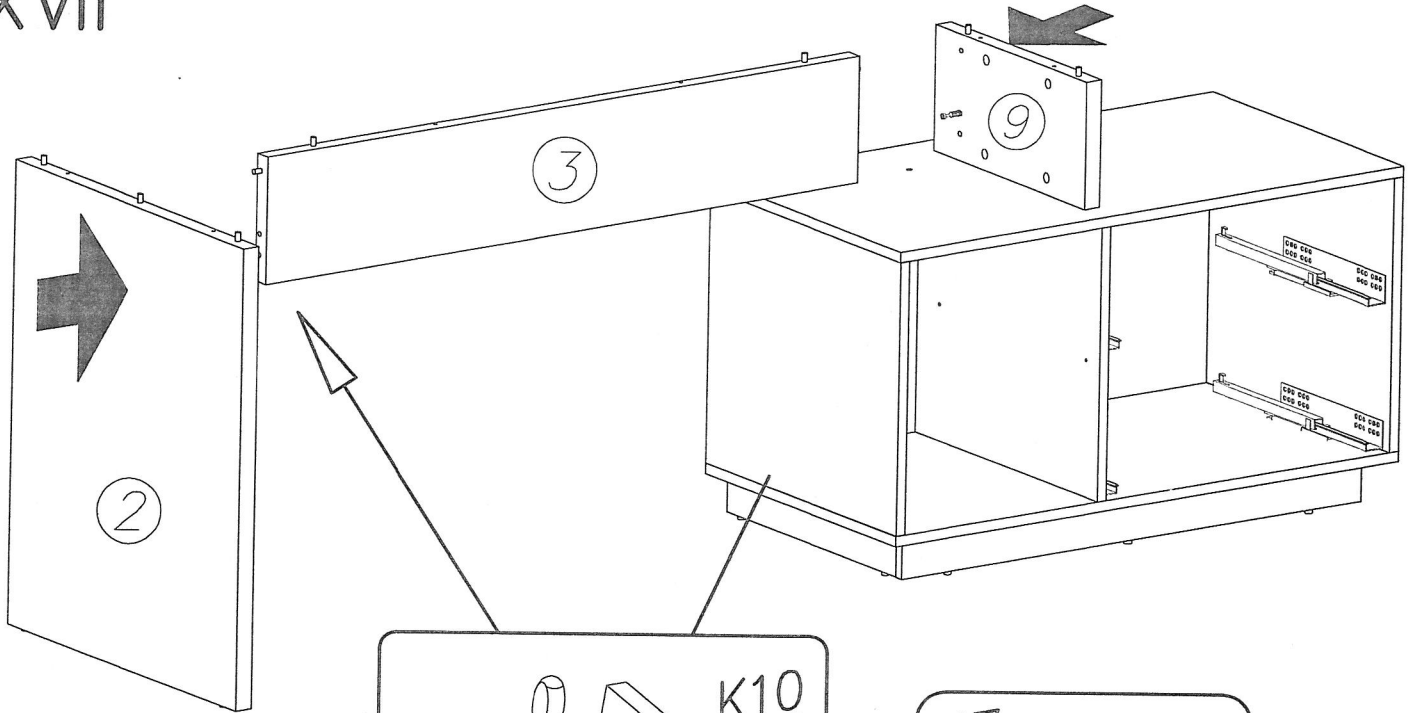
# XVI

$a=b$

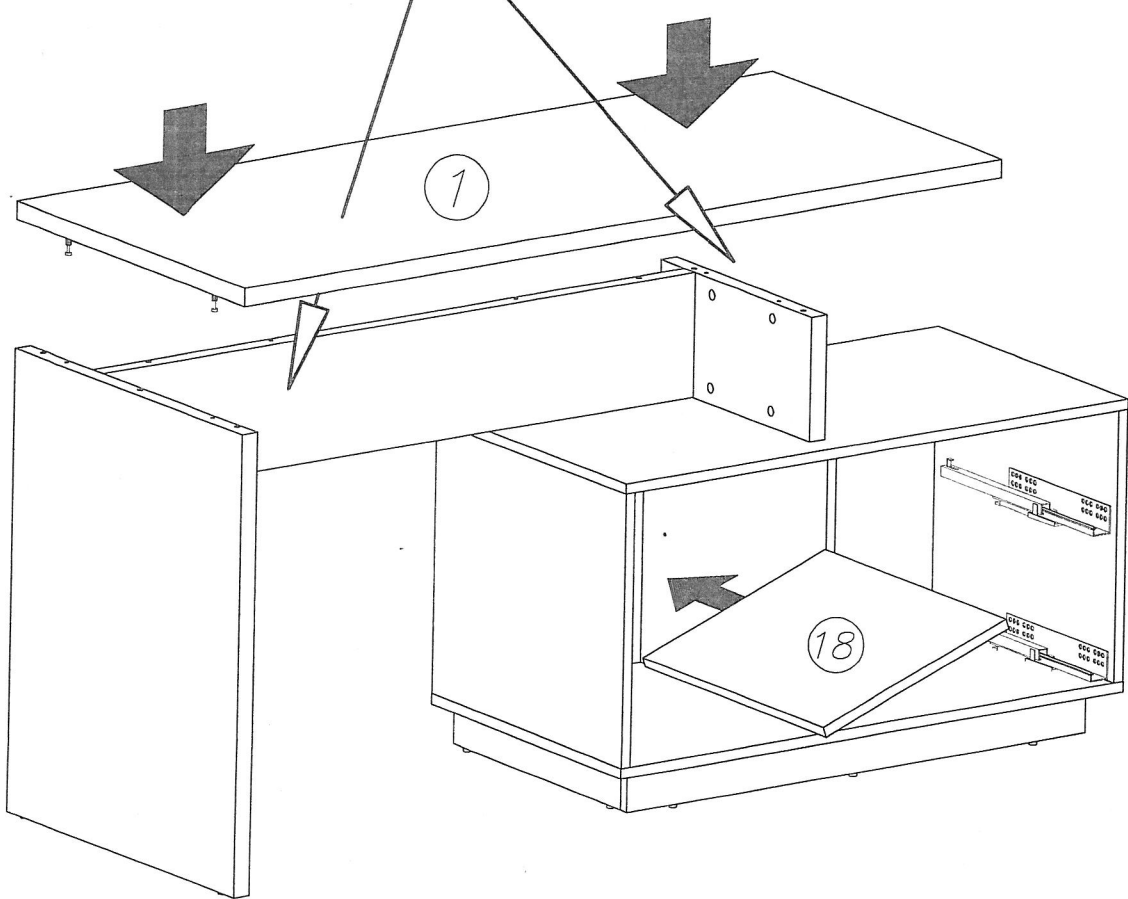


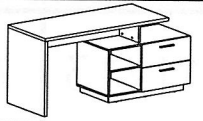


XVII

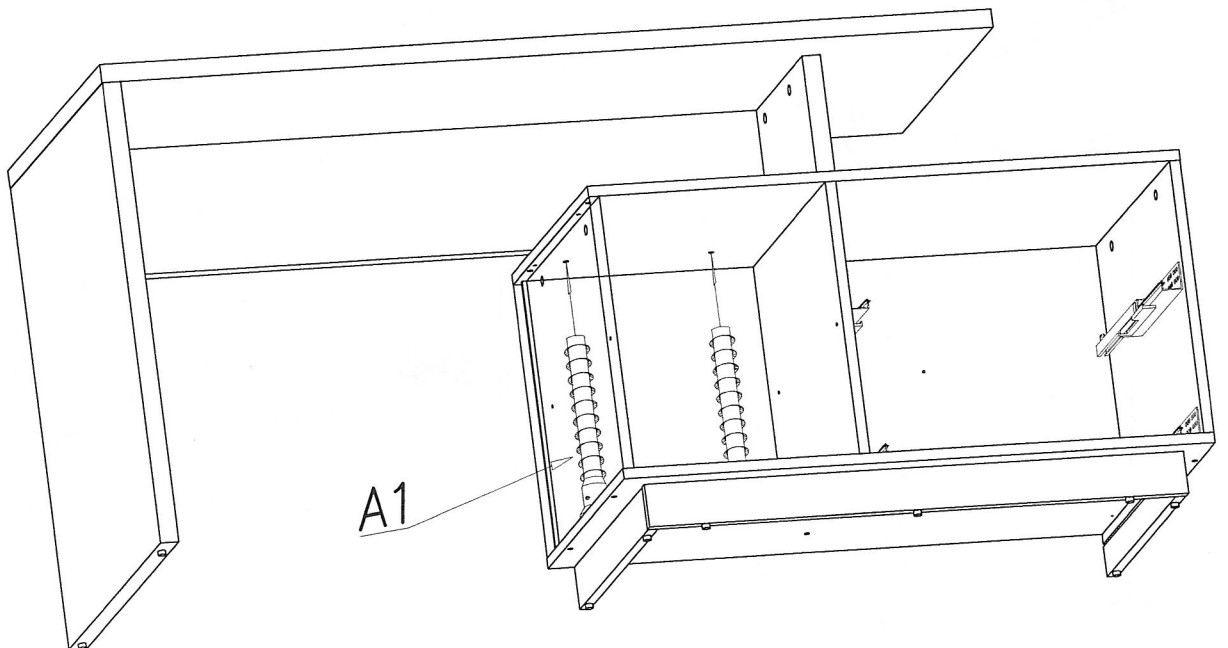
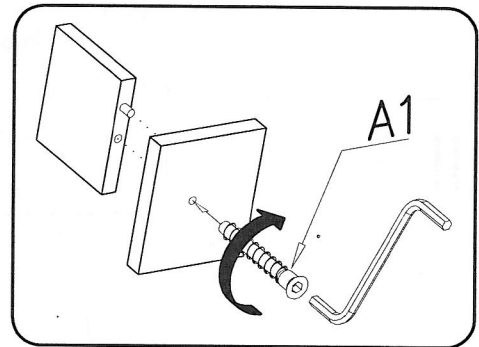
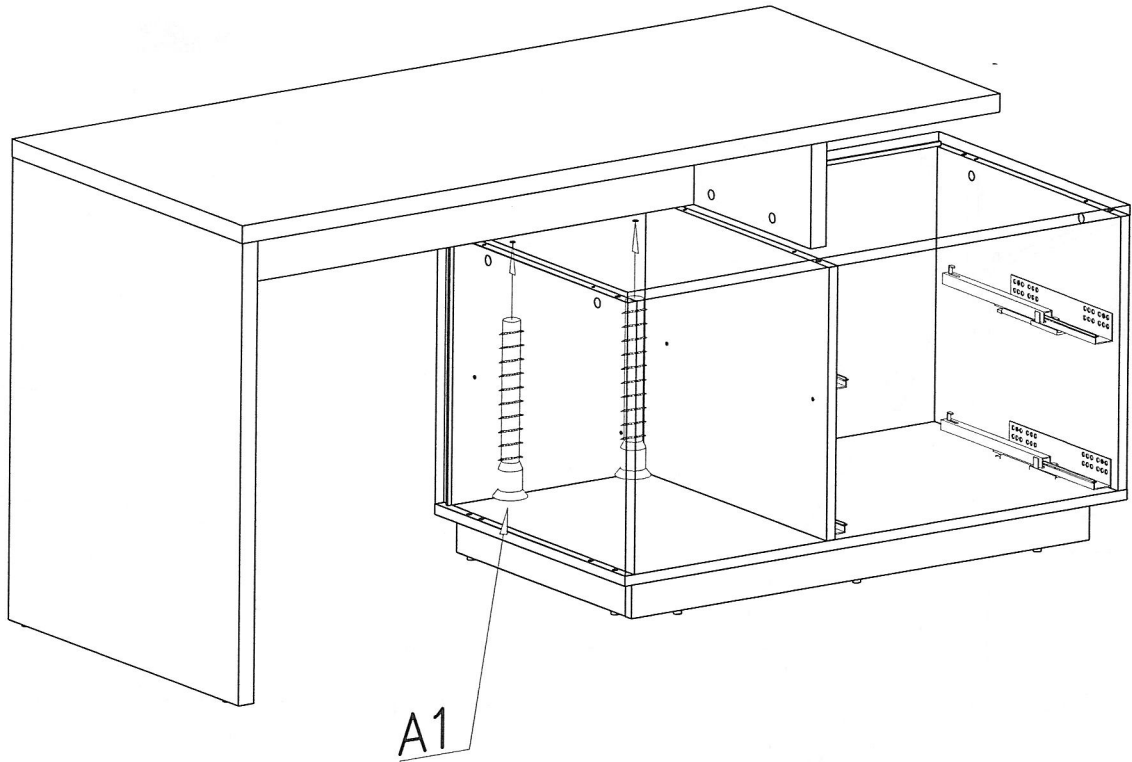


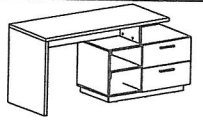
XVIII





# XIX





XX

