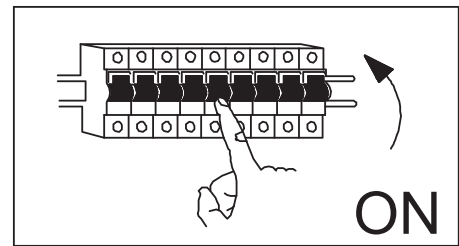
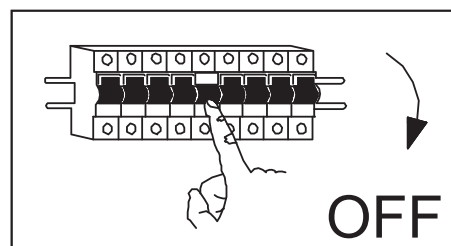
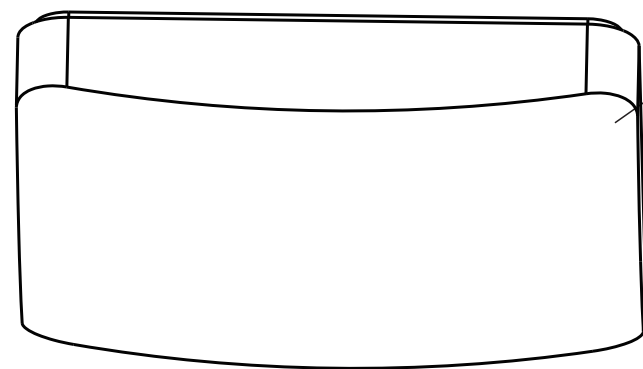
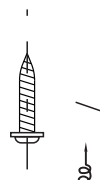
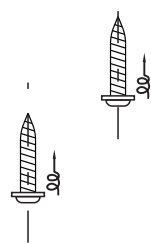
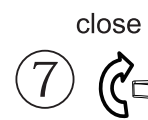
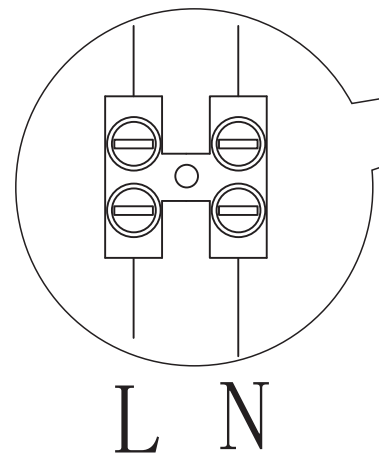
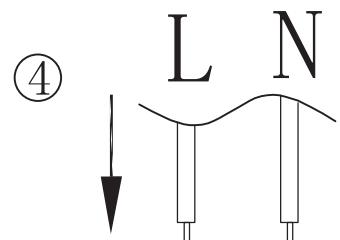
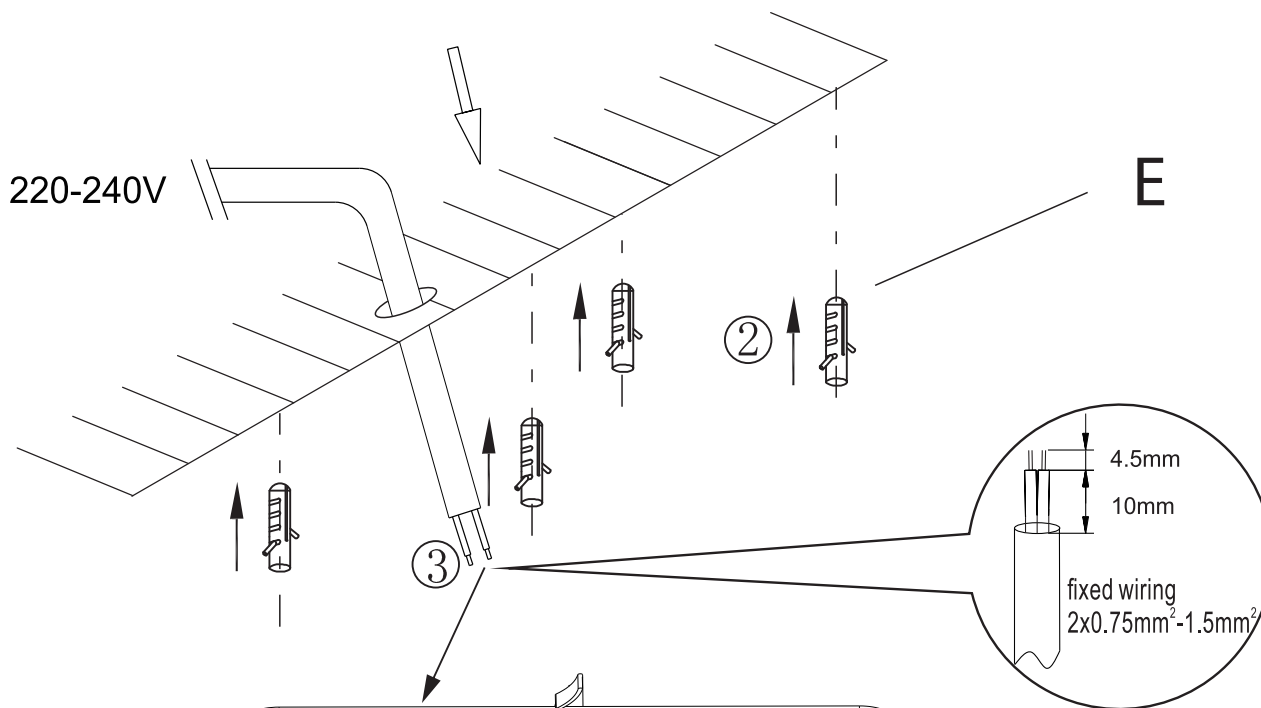


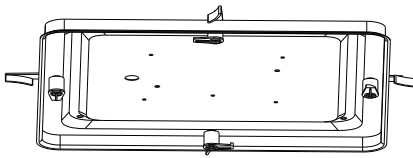
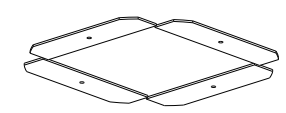
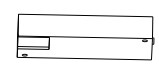
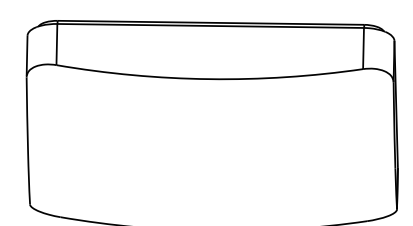

# 746042



AC 220-240V



## spare parts

code	part	item no.
A		746042EK1
B		746042EL
C	LED Driver 	746042ED
D		746042EG
E		-