

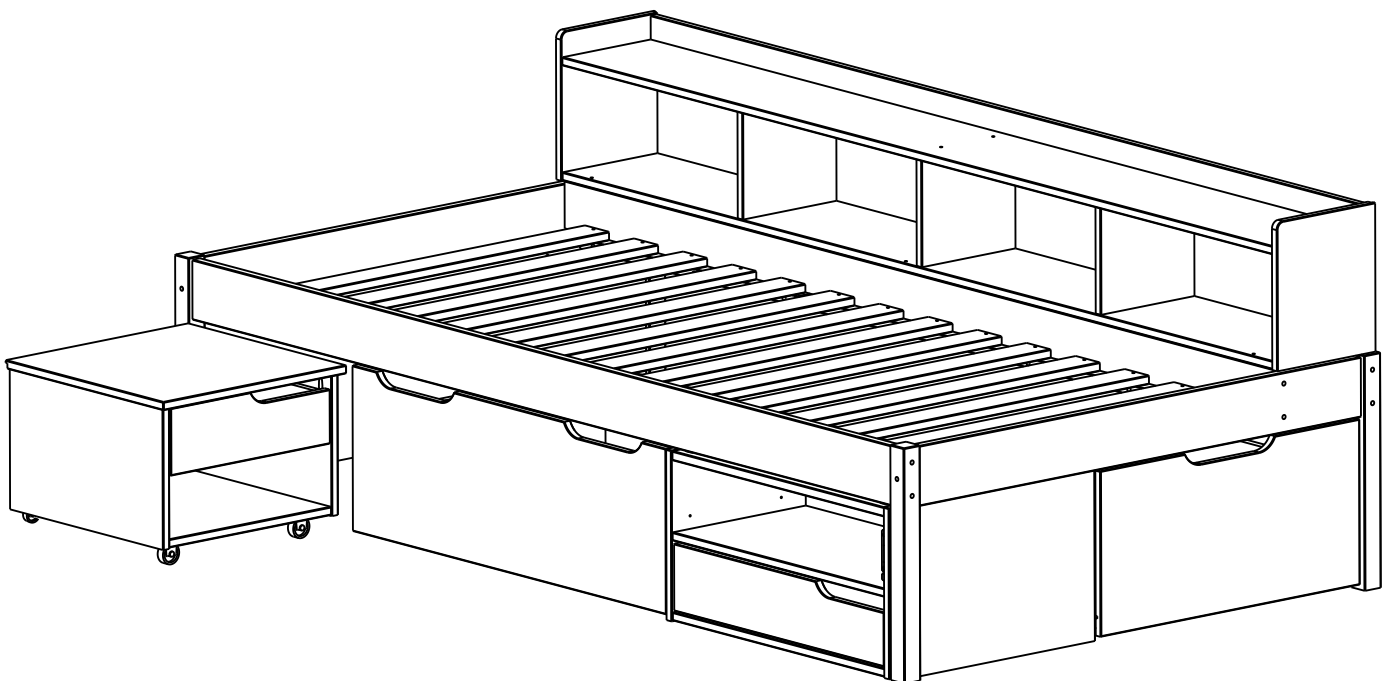
LIAM II

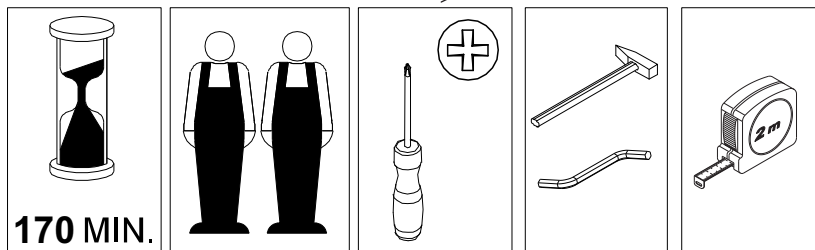
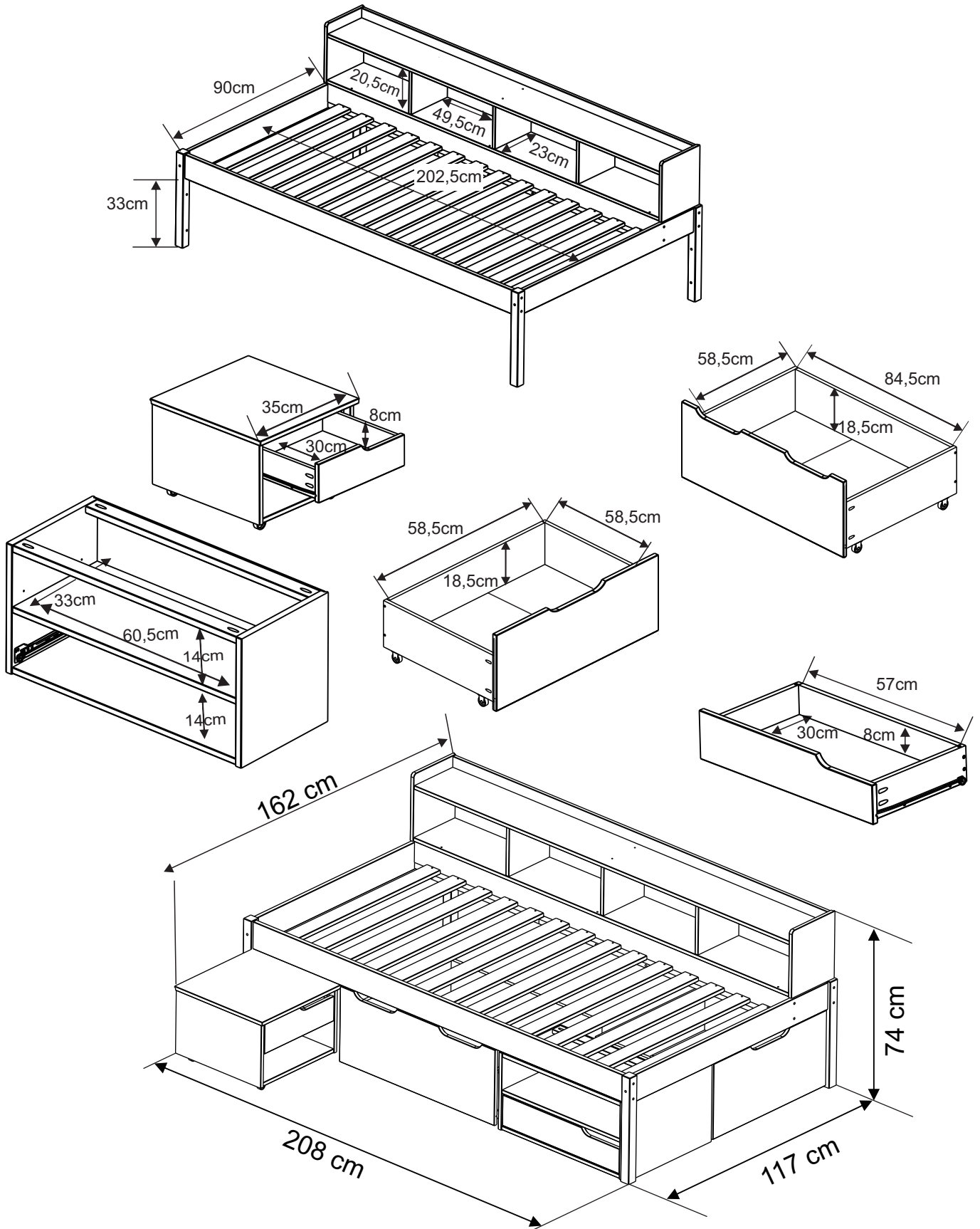
BED MULTIFUNCTION WITH STORAGES 90X200

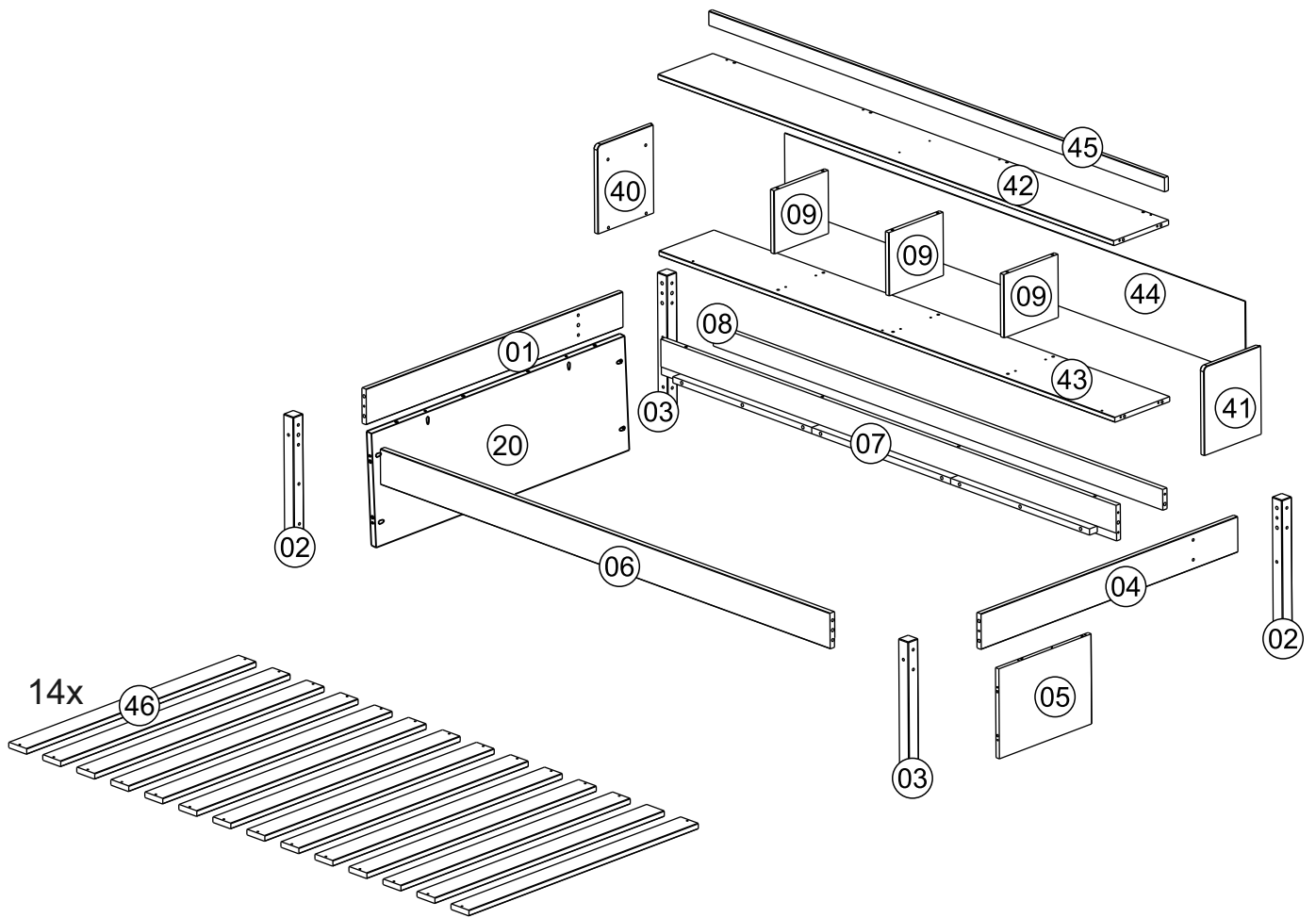
0025470002/04 - WEIß
WHITE

0025470002/05 - GRAU
GREY

0025470002/06 - TAUPE

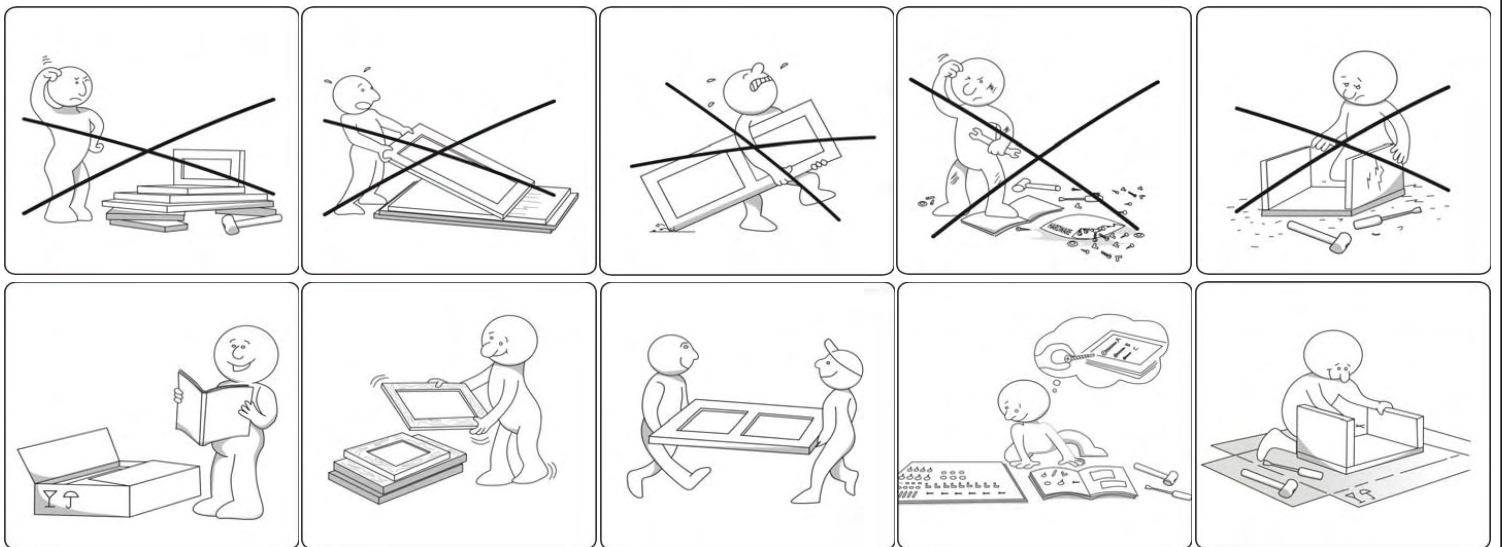


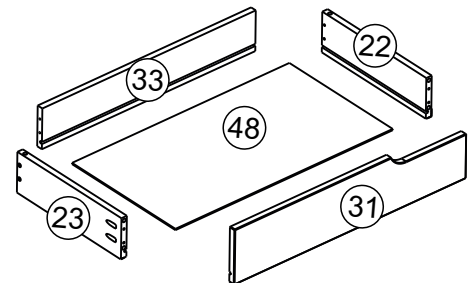
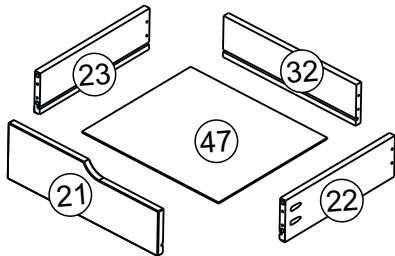
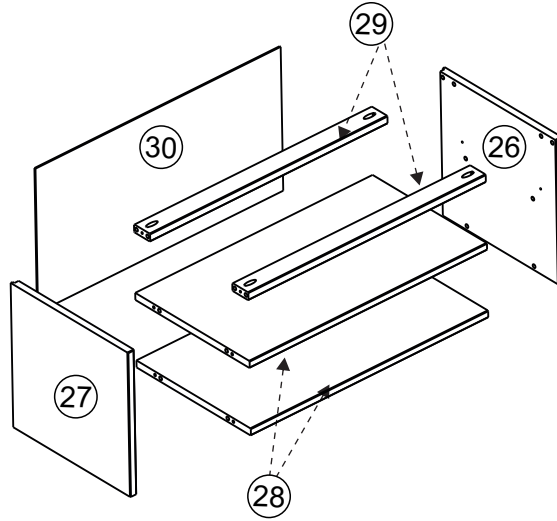
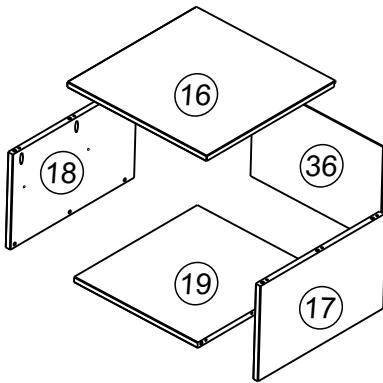
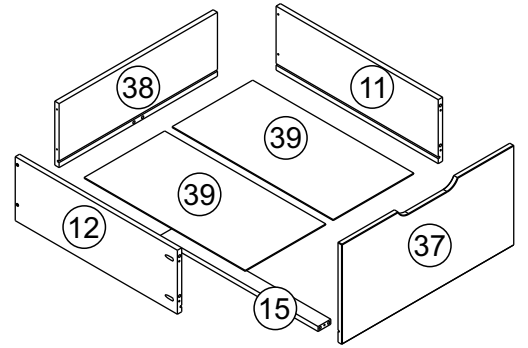
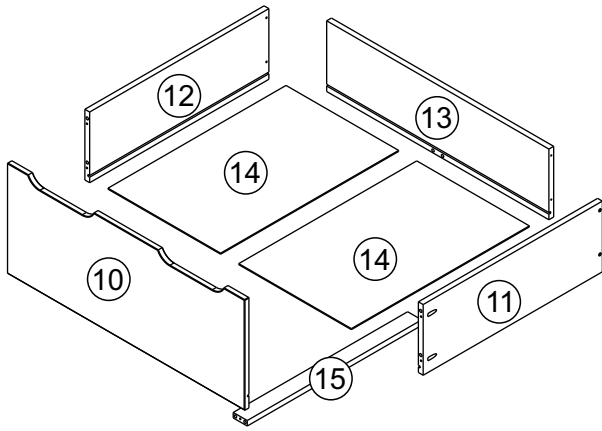




Teil Nummer	Menge	Paket
01	1	1/2
02	2	1/2
03	2	1/2
04	1	1/2
05	1	1/2
06	1	1/2
07	1	1/2
08	1	1/2
09	3	1/2
20	1	1/2

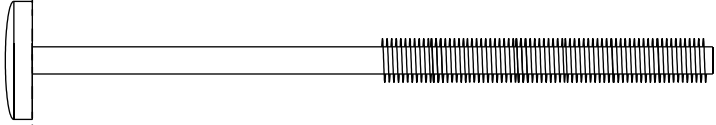
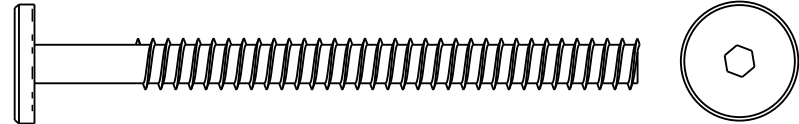


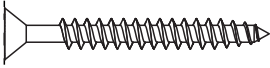
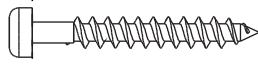
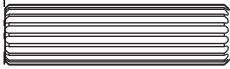
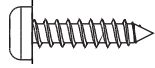
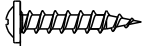



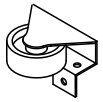
Teil Nummer	Menge	Paket
40	1	1/2
41	1	1/2
42	1	1/2
43	1	1/2
44	1	1/2
45	1	1/2
46	14	1/2

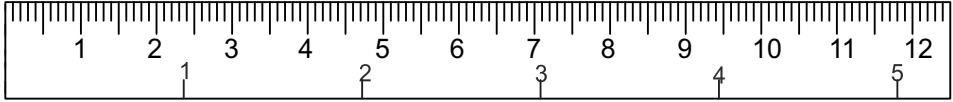


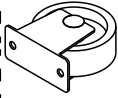

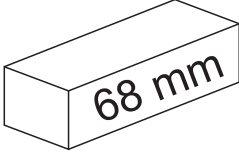

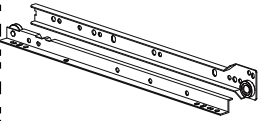
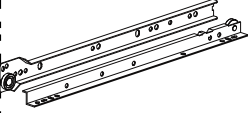


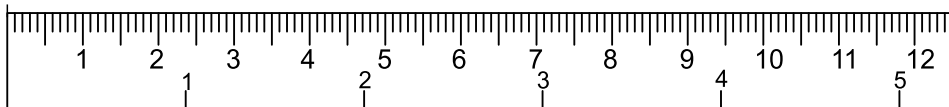
Teil Nummer	Menge	Paket
10	1	2/2
11	2	2/2
12	2	2/2
13	1	2/2
14	2	2/2
15	2	2/2
16	1	2/2
17	1	2/2
18	1	2/2
19	1	2/2
21	1	2/2
22	2	2/2
23	2	2/2

Teil Nummer	Menge	Paket
26	1	2/2
27	1	2/2
28	2	2/2
29	2	2/2
30	1	2/2
31	1	2/2
32	1	2/2
33	1	2/2
36	1	2/2
37	1	2/2
38	1	2/2
39	2	2/2
47	1	2/2
48	1	2/2

A		1/4x90	04
B		7x80	06
C		7x50	04
D		10x40	14
E		4x35	15
F		4x30	103
G		8x30	108
H		3,5x16	40
I		3x16	06
J		8x8	68
K		3,5x14	16
L			01
M			08



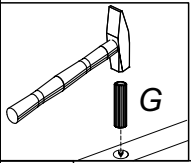
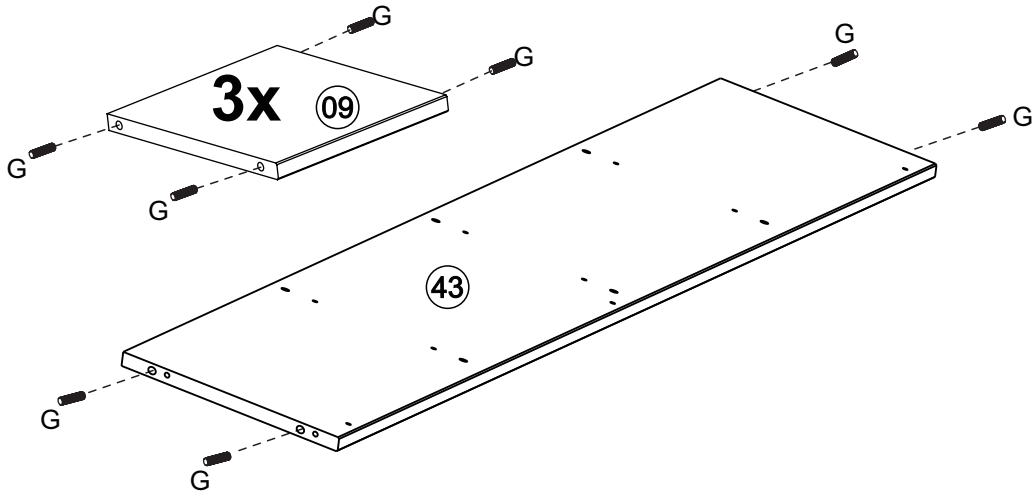
N		04
O	 	02
P		04
Q		300mm 02
U		300mm 02



1



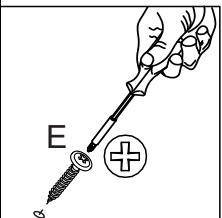
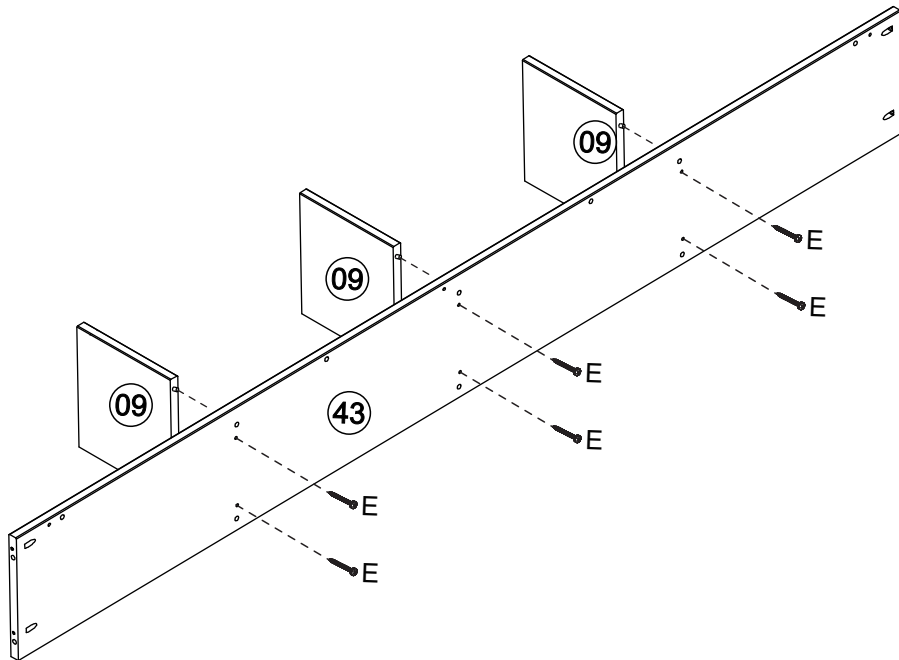
8,0x30
16x G



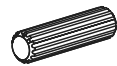
2



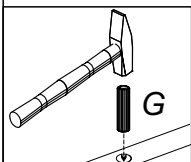
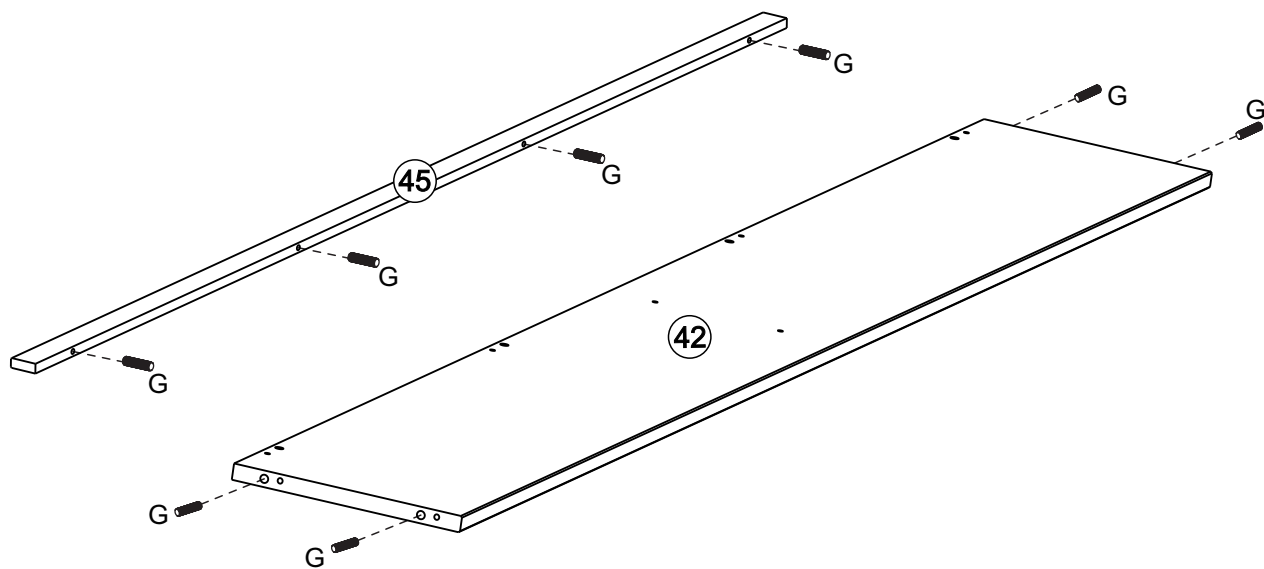
4,0x35
6x E



3



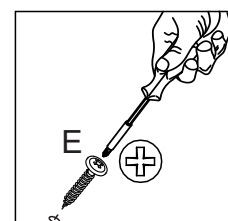
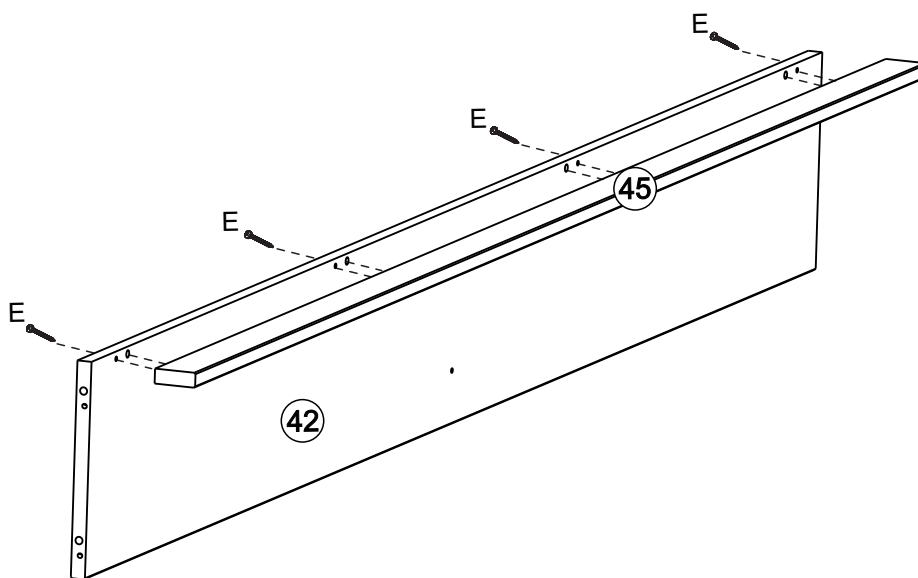
8,0x30
8x G




4

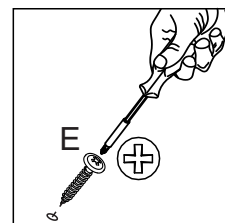
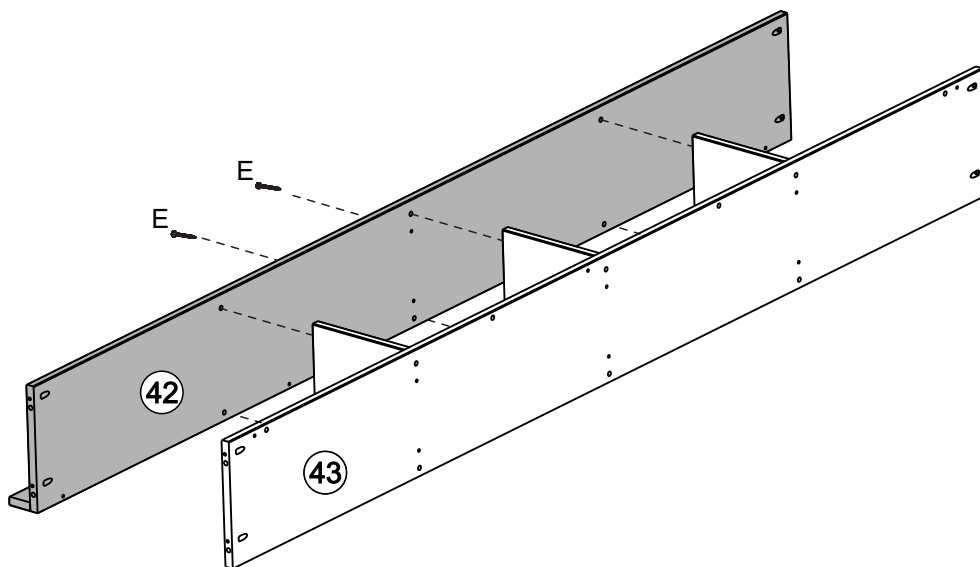


4,0x35
4x E

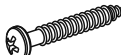


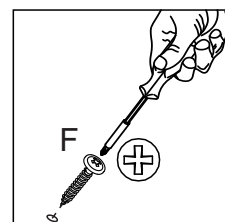
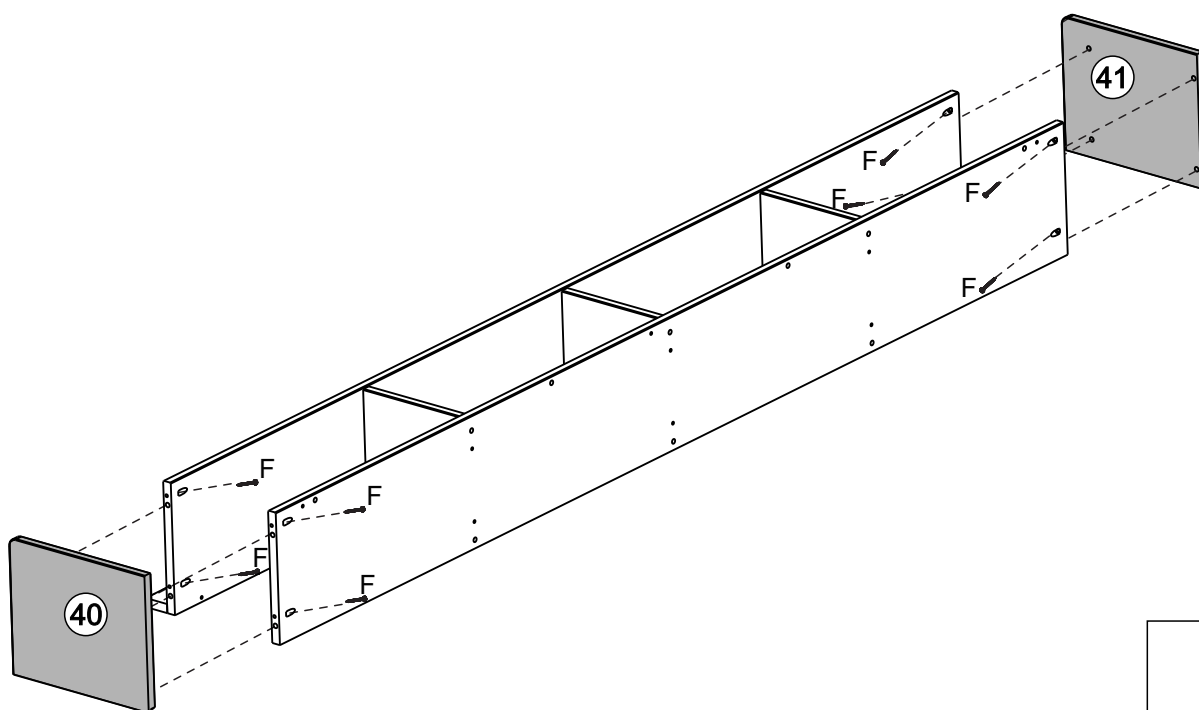
5


4,0x35
2x E



6

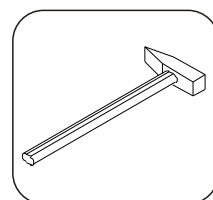
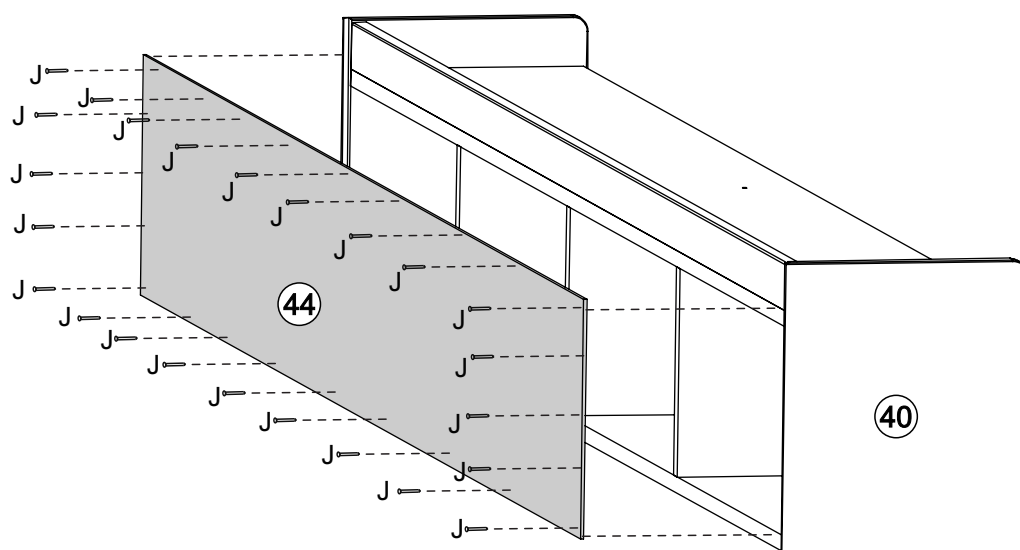

4,0x30
8x F



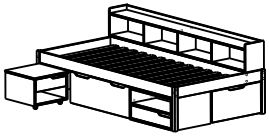
7



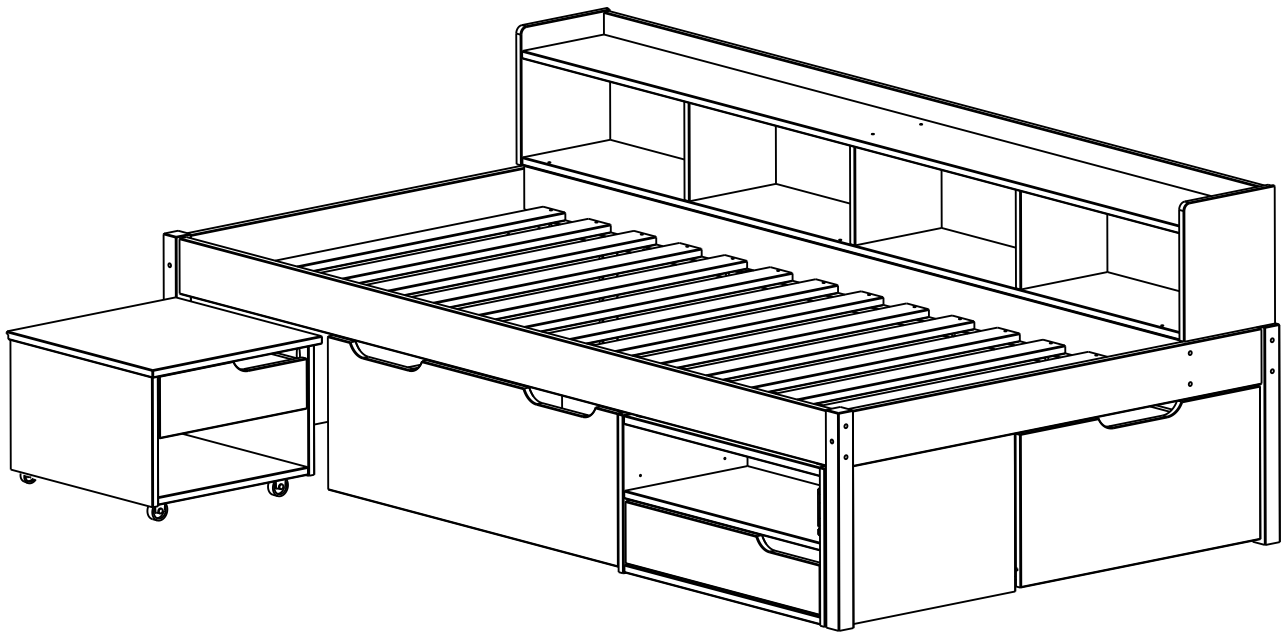
8,0x8
24x J



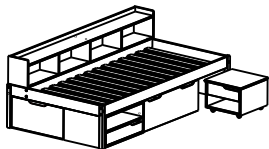
OPTION 1



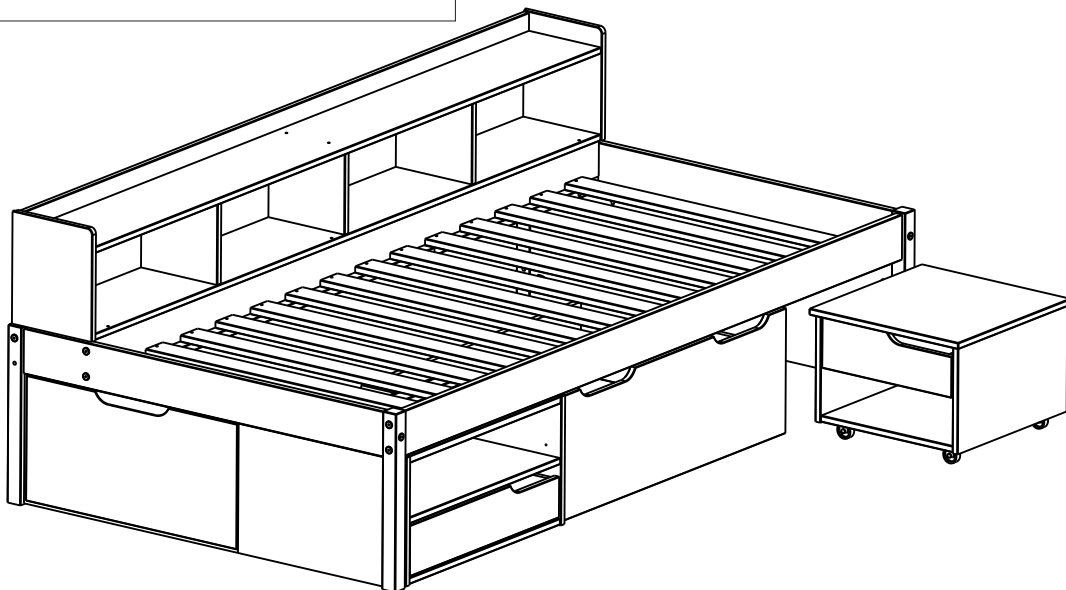
12-16



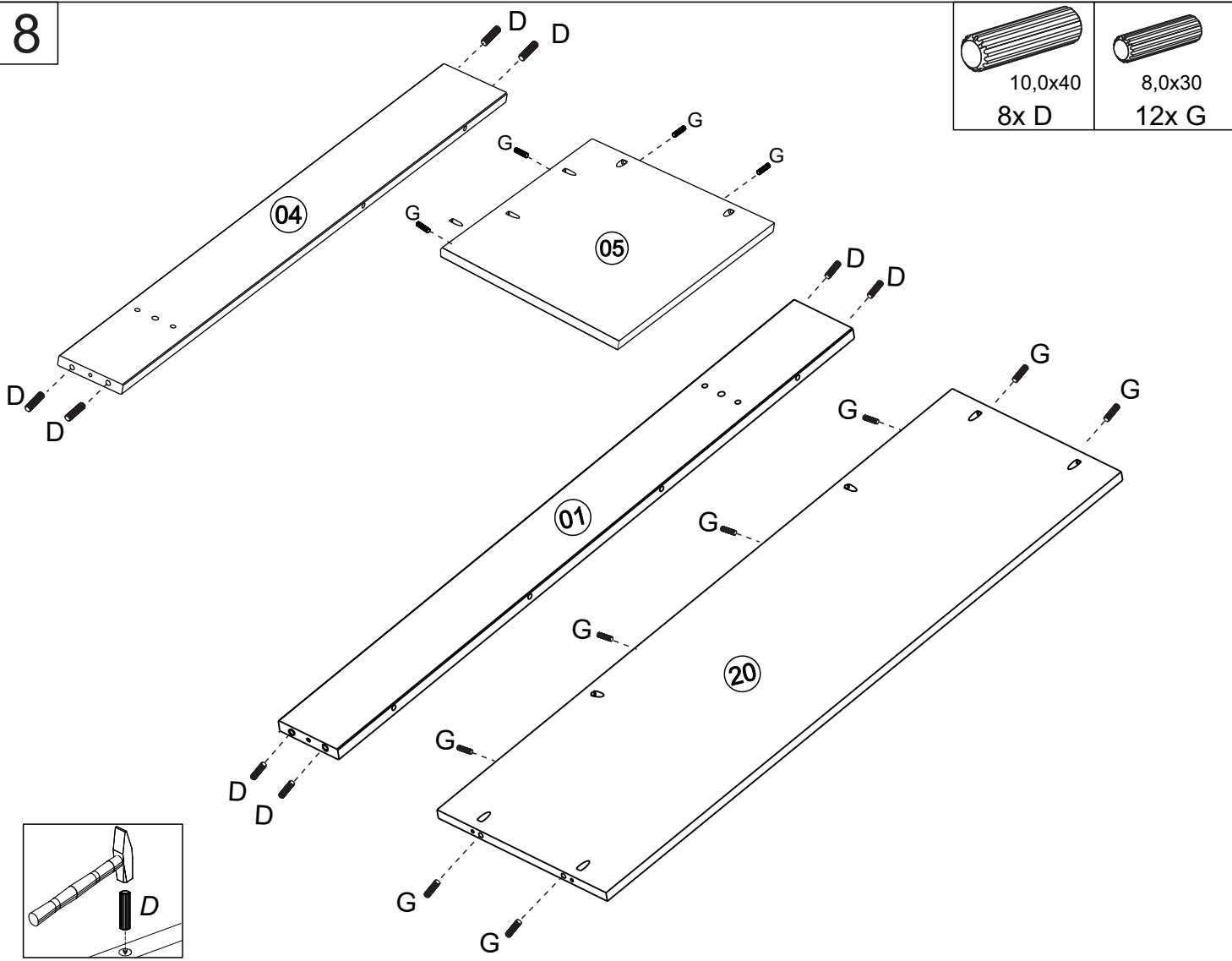
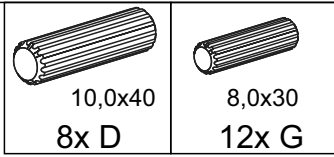
OPTION 2



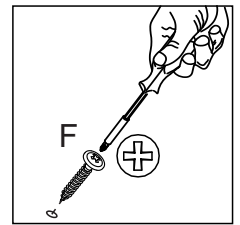
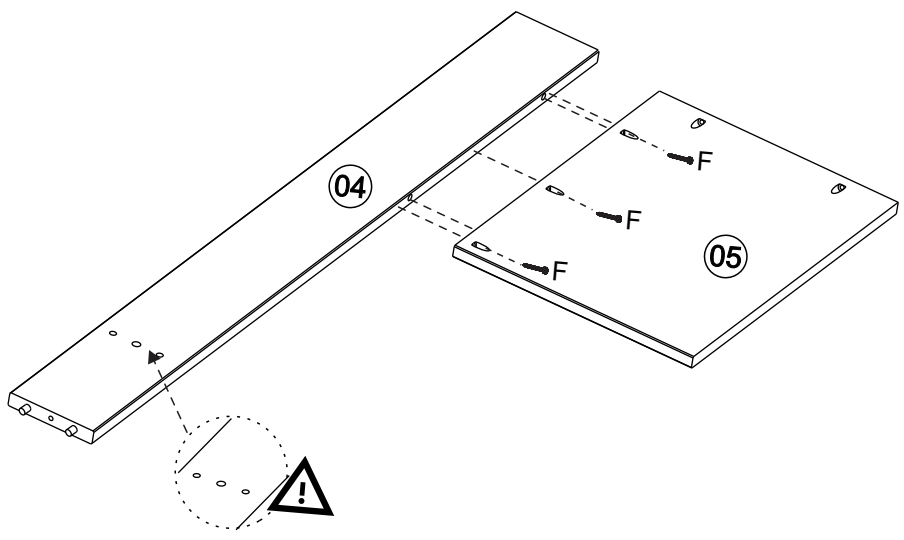
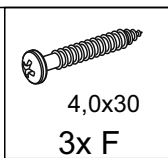
17-20




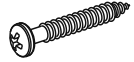

8

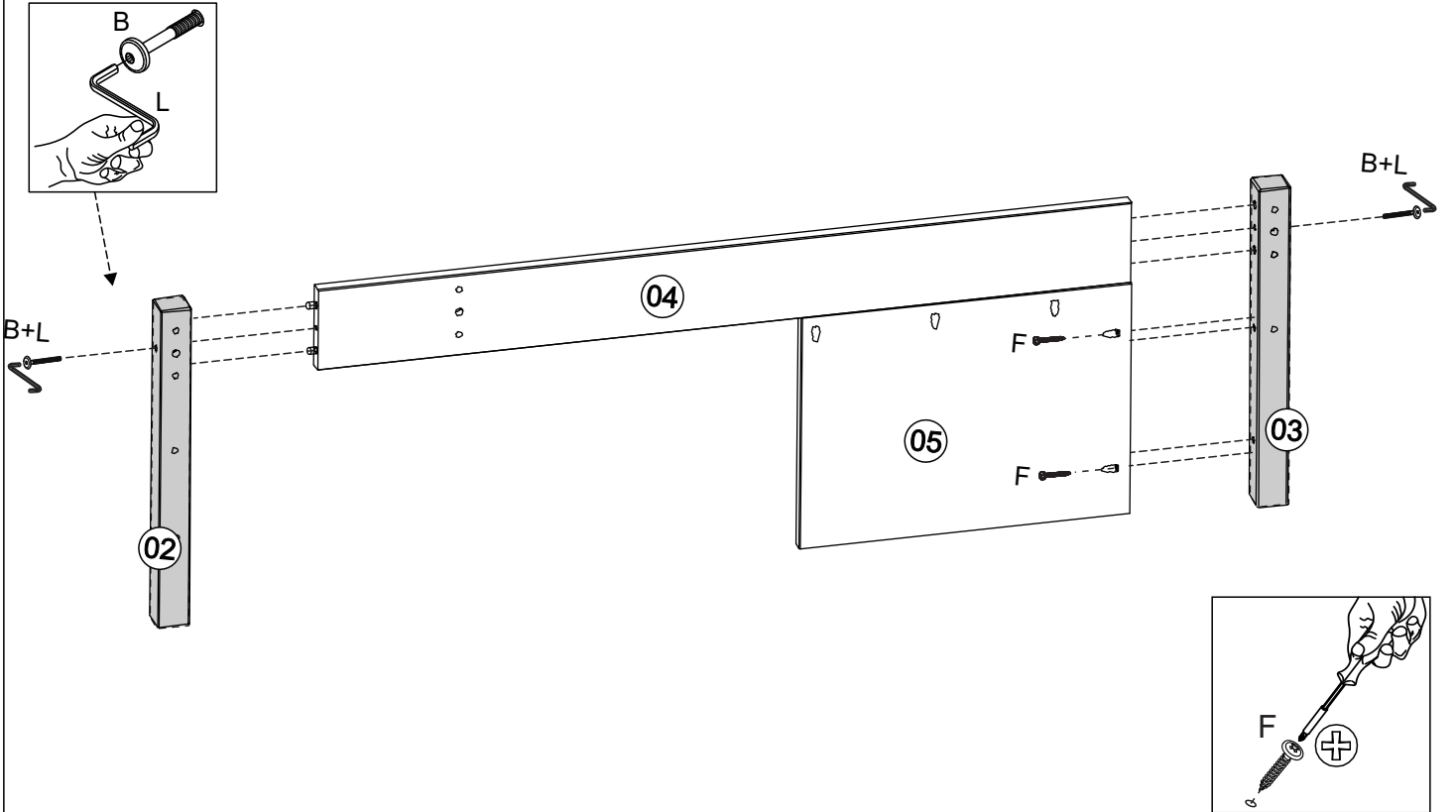


9 OPTION 1




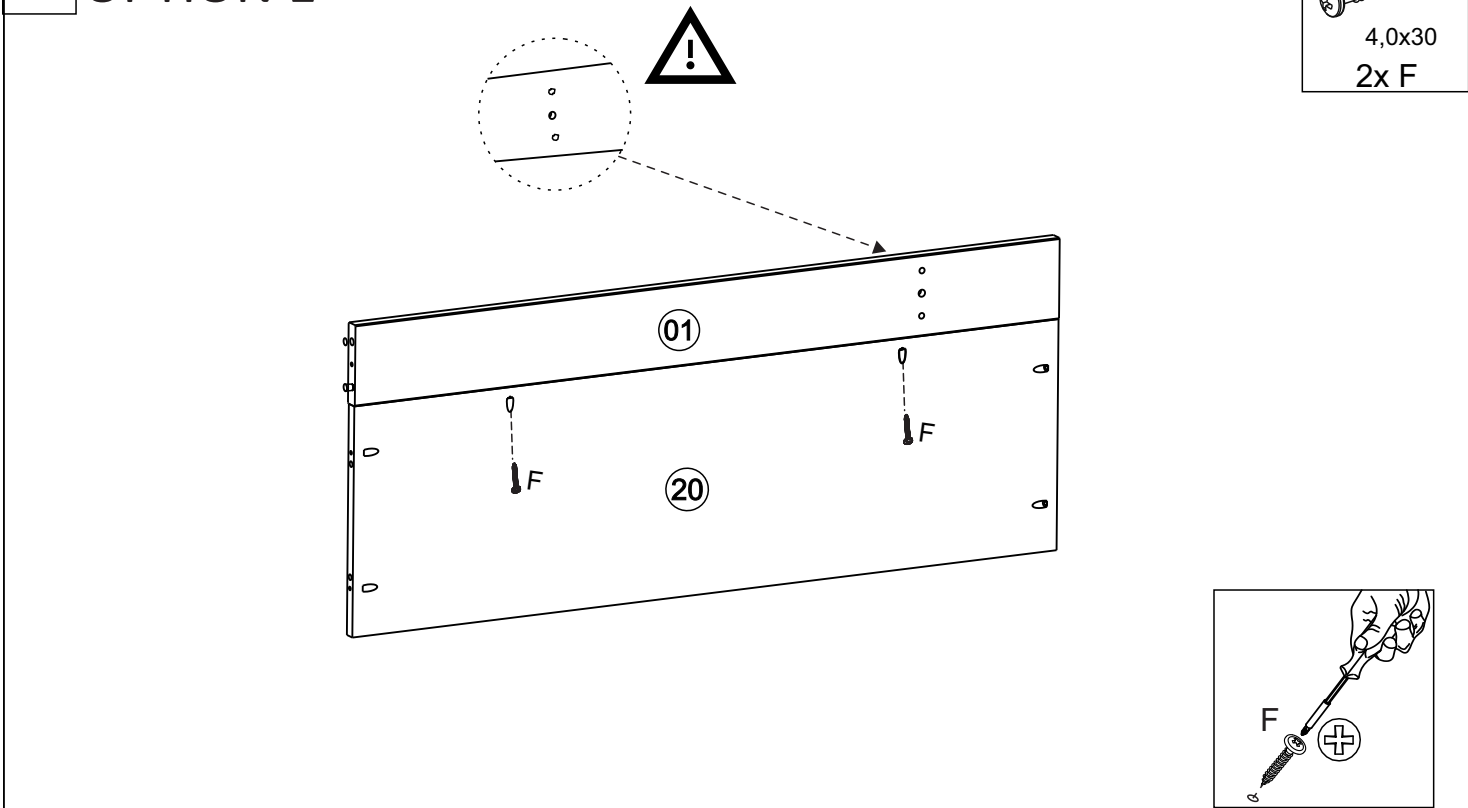
10 OPTION 1

 7,0x80 2x B	 4,0x30 2x F	 1x L
---	---	---



11 OPTION 1

 4,0x30 2x F

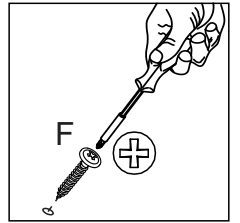
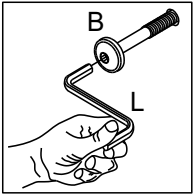
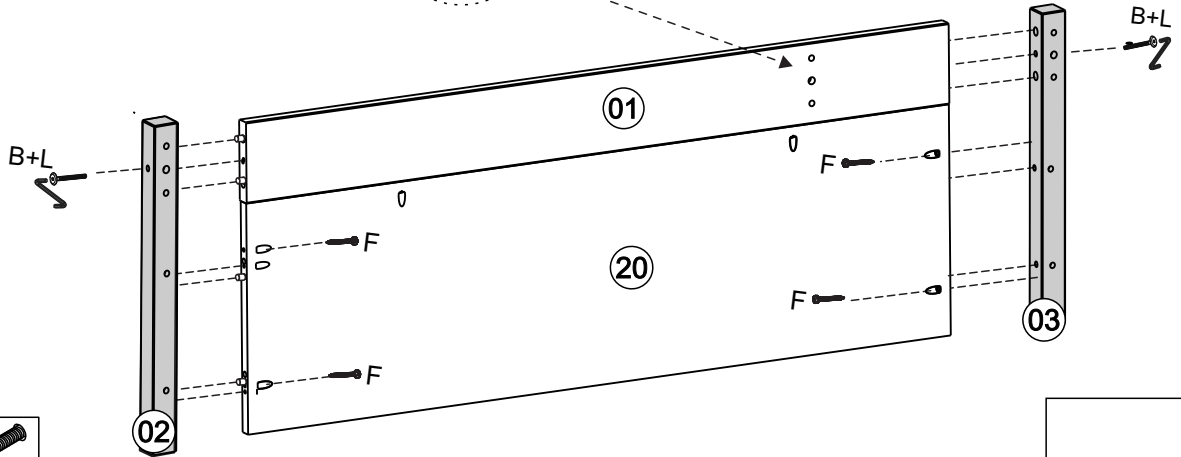
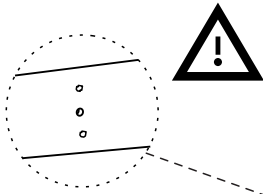


12 OPTION 1

4,0x30
4x F

7,0x80
2x B

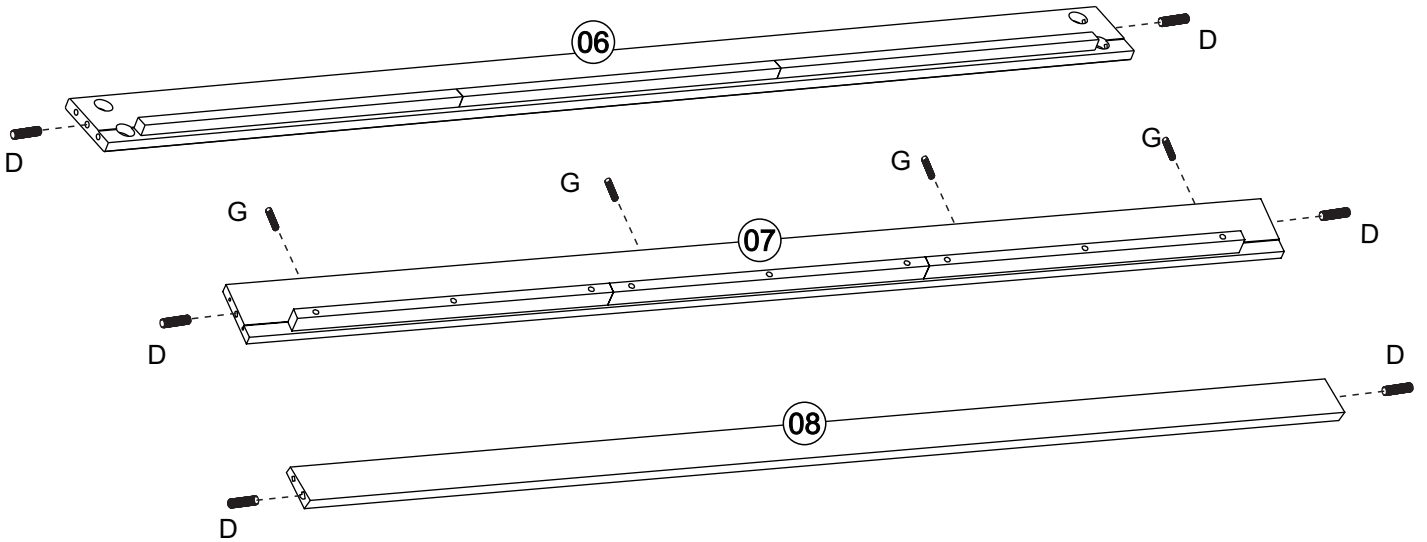
1x L



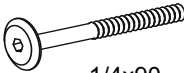


13 OPTION 1

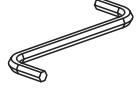

10,0x40
6x D

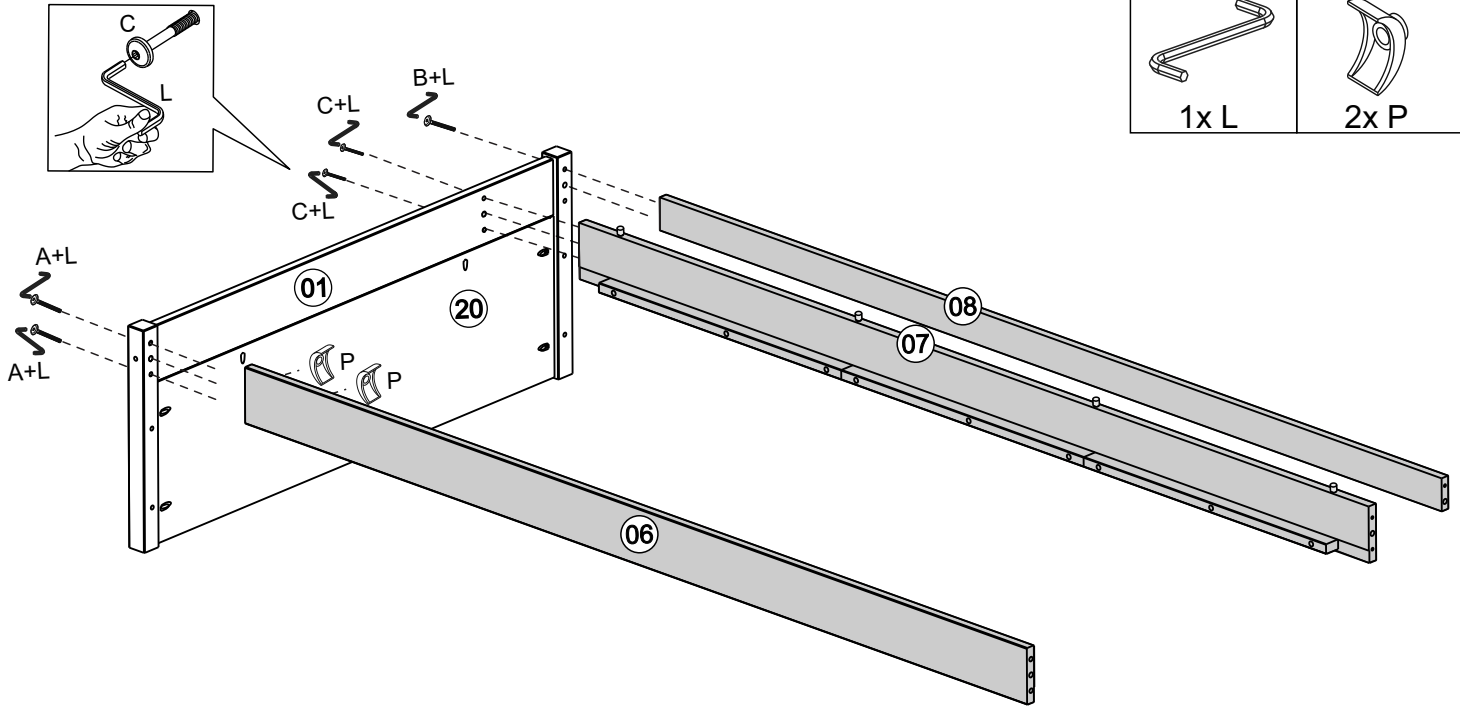
8,0x30
4x G






14 OPTION 1

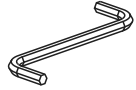

		
1/4x90 2x A	7,0x80 1x B	7,0x50 2x C

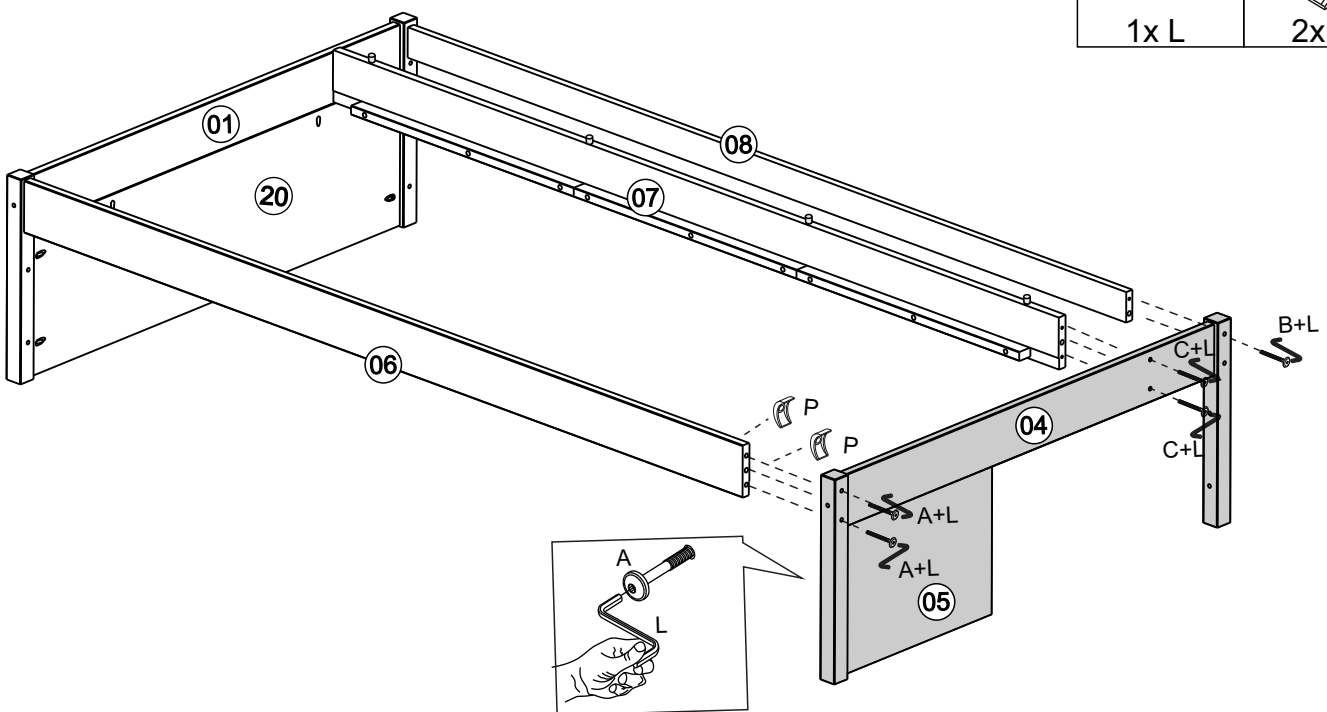
	
1x L	2x P




15 OPTION 1

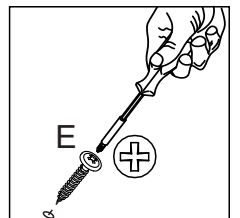
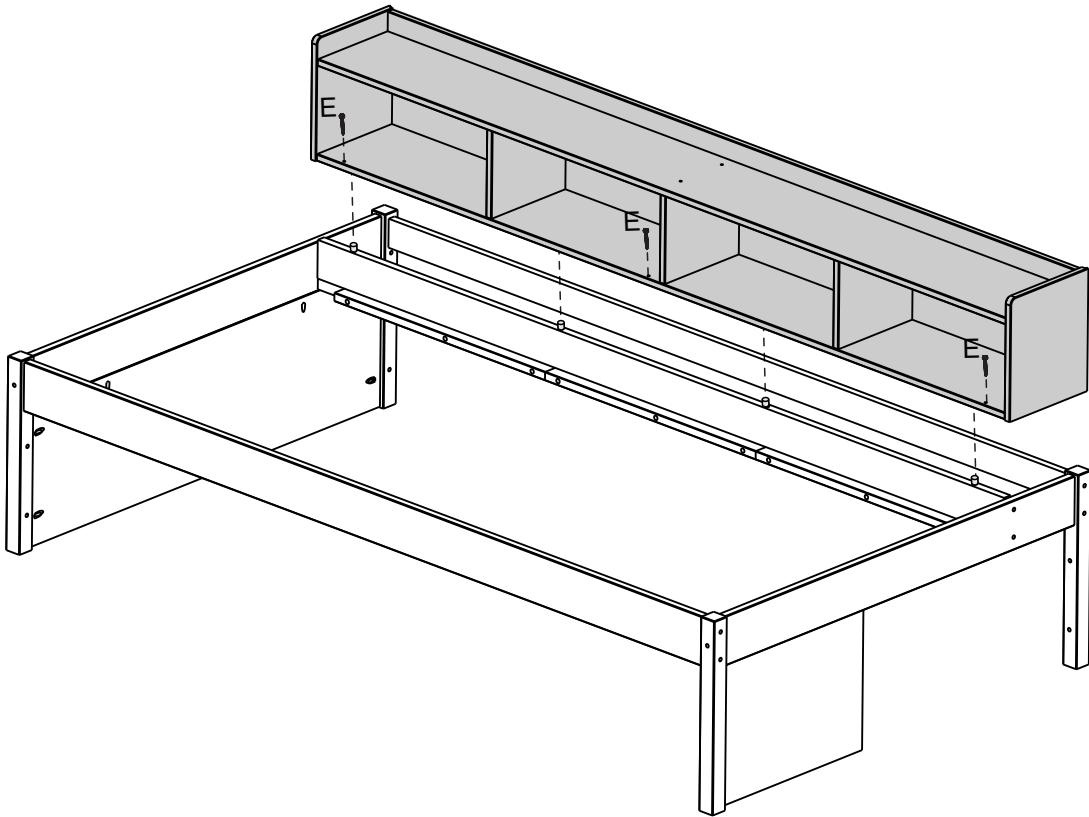
		
1/4x90 2x A	7,0x80 1x B	7,0x50 2x C

	
1x L	2x P



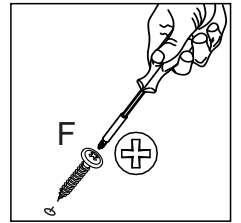
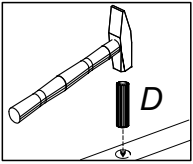
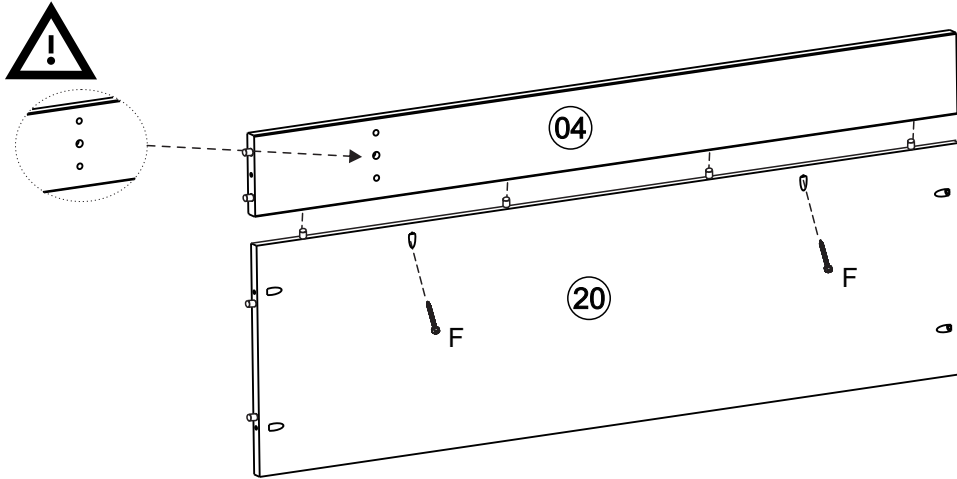
16 OPTION 1


4,0x35
3x E



17 OPTION 2

4,0x30
2x F

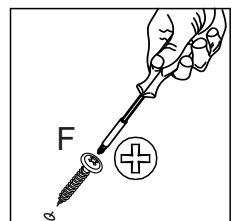
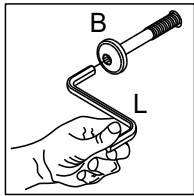
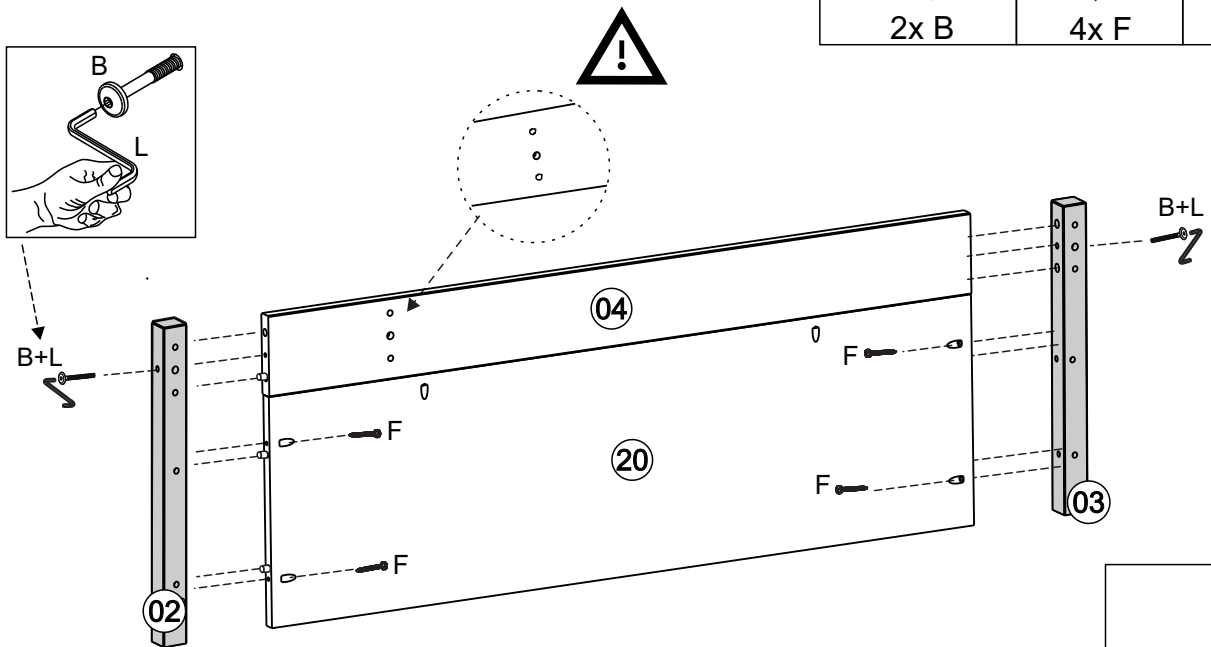


18 OPTION 2

7,0x80
2x B

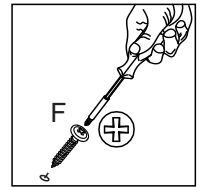
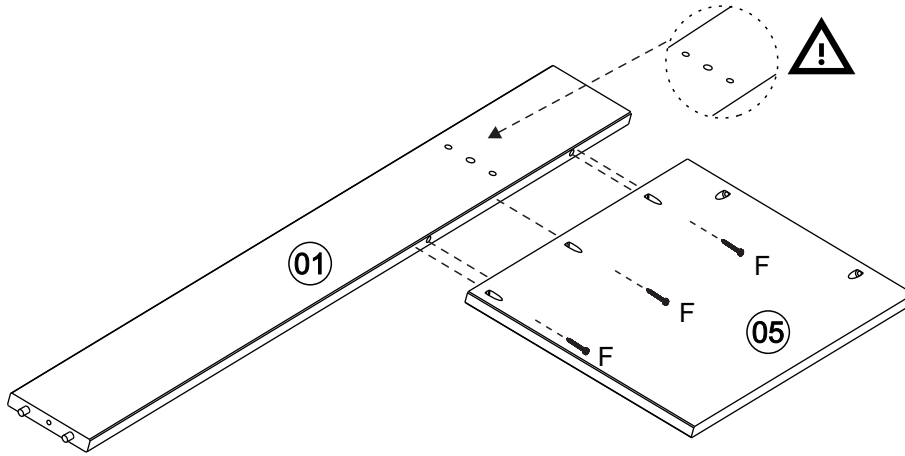
4,0x30
4x F

1x L

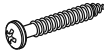




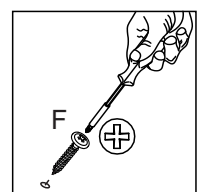
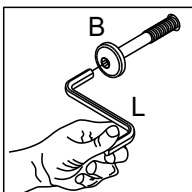
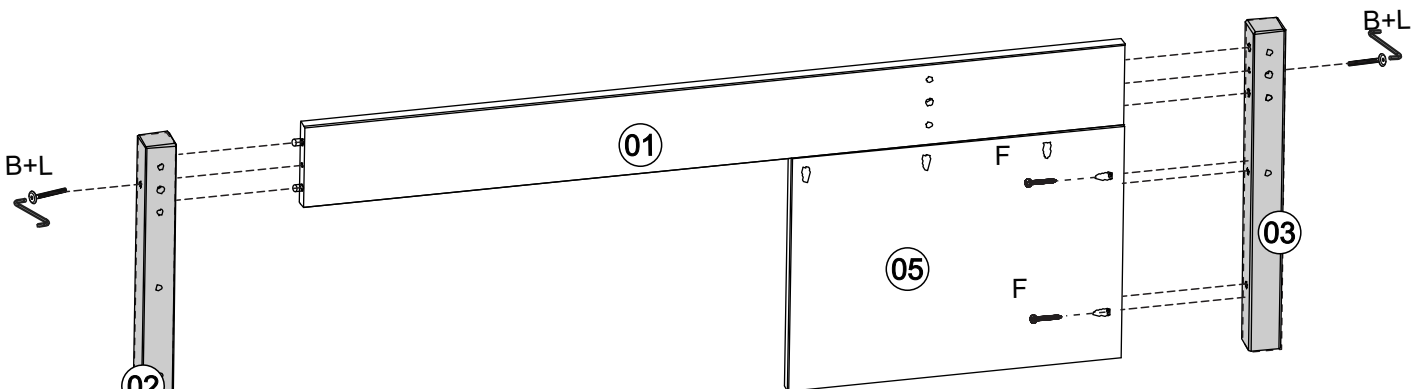
19 OPTION 2

4,0x30
3x F


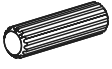


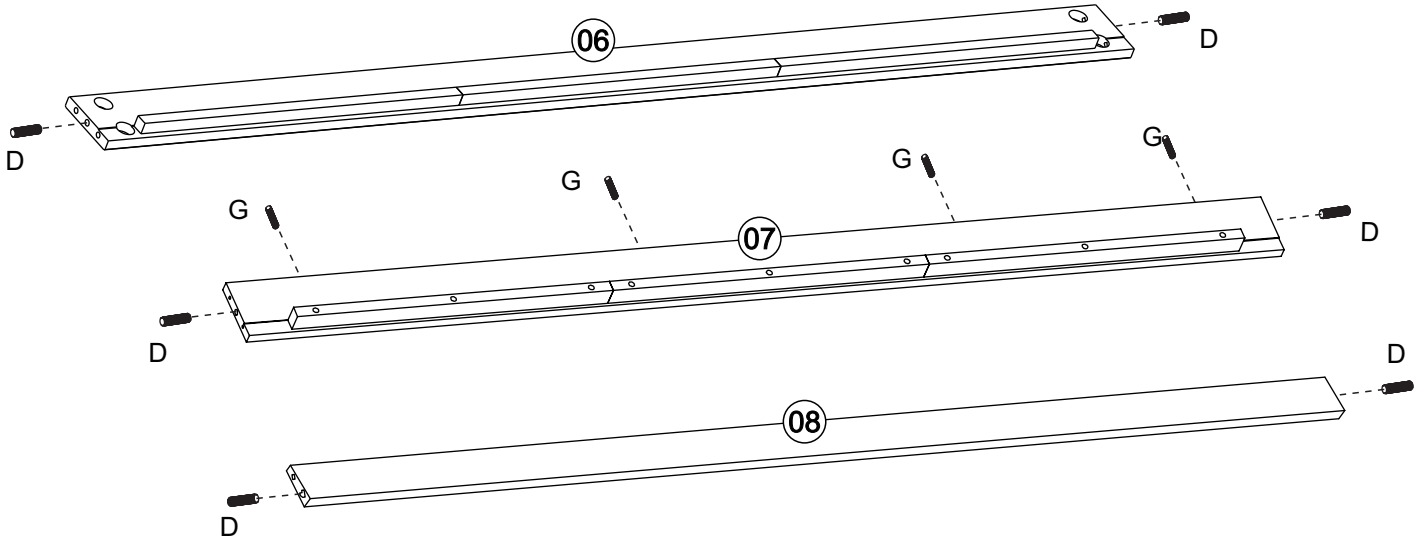
20 OPTION 2

 4,0x30 2x F	 7,0x80 2x B	 1x L
---	---	---

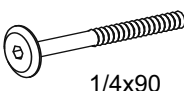
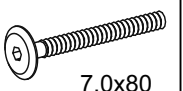
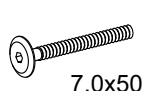
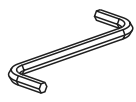



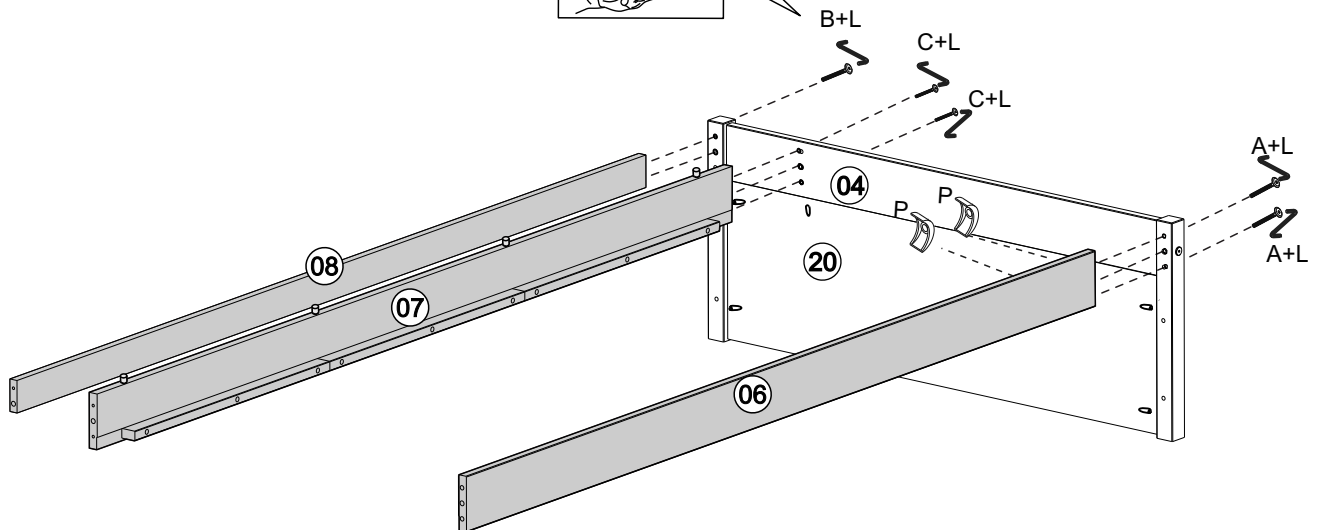
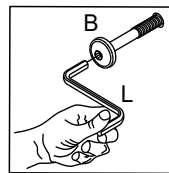
21 OPTION 2

	
10,0x40	8,0x30
6x D	4x G

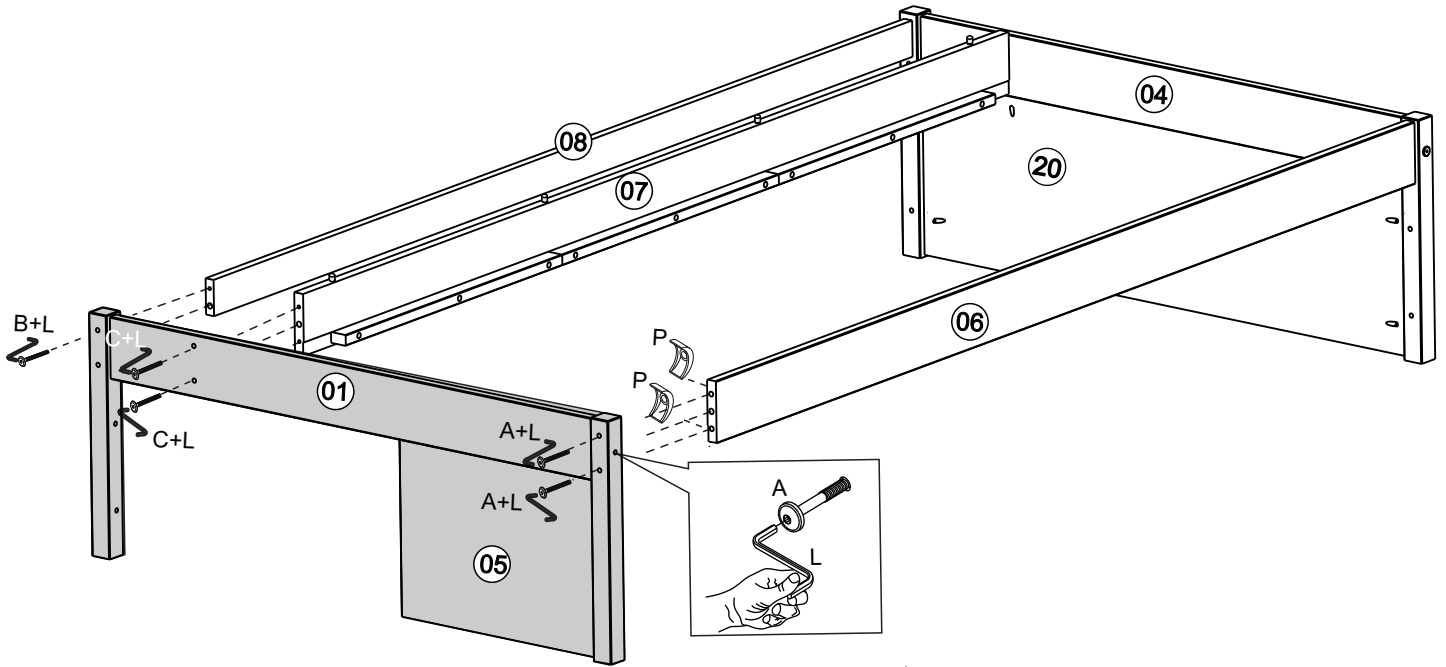
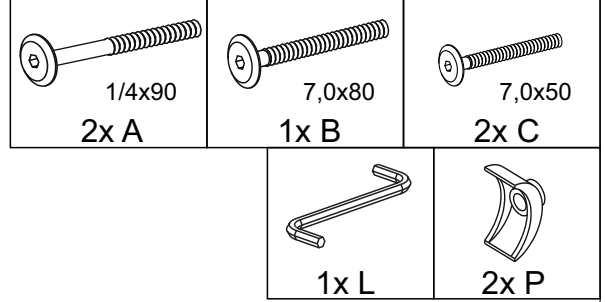


22 OPTION 2

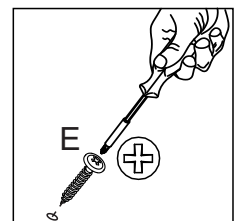
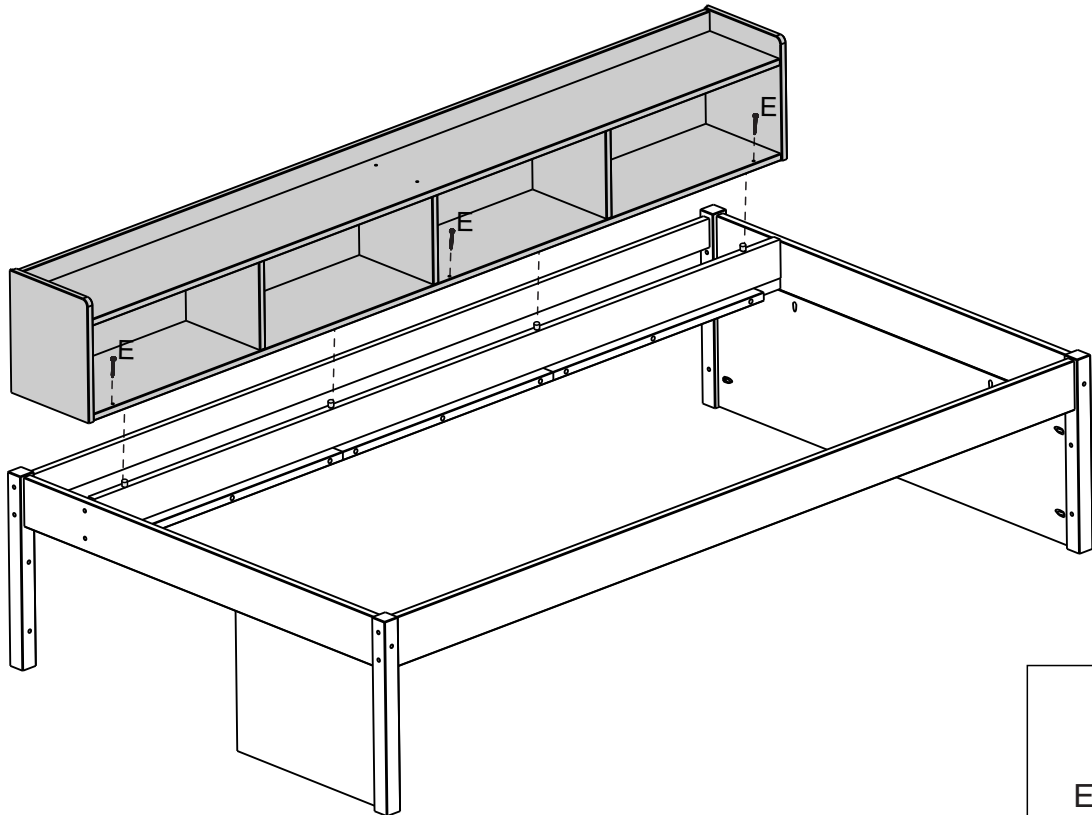
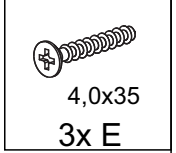
		
1/4x90	7,0x80	7,0x50
2x A	1x B	2x C
		
1x L		2x P



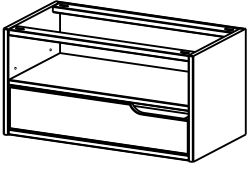
23 OPTION 2



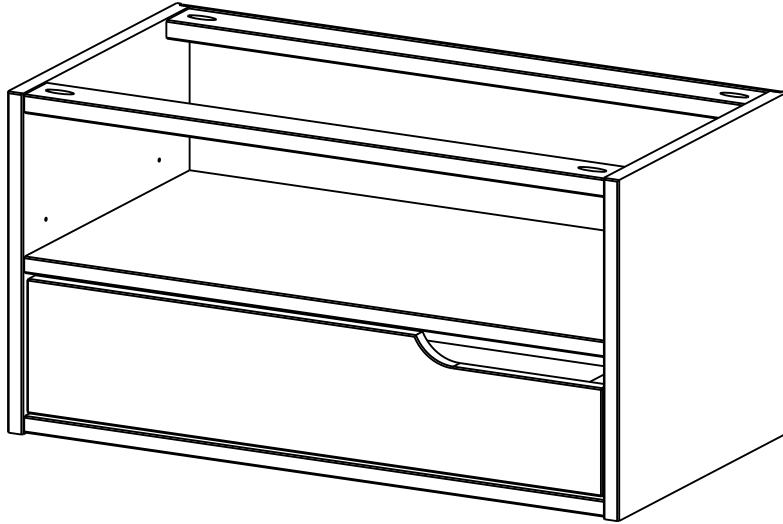
24 OPTION 2



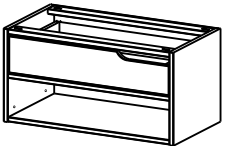
OPTION 1 DRAWER UNIT



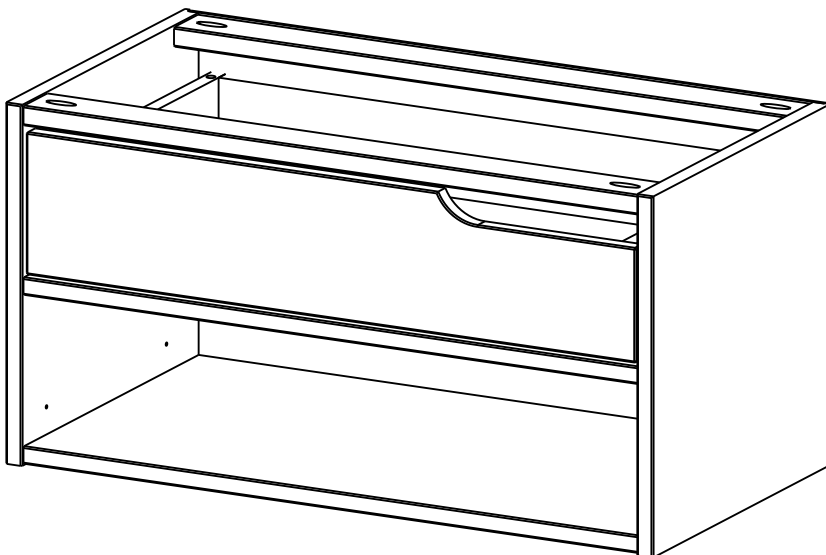
22-23



OPTION 2 DRAWER UNIT



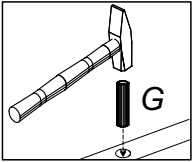
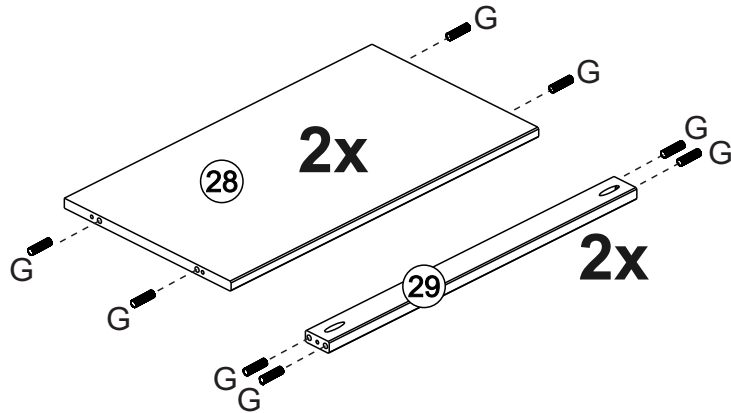
24-24



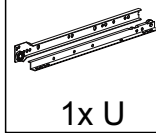
25



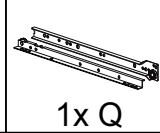
8,0x30
16x G



26 OPTION 1 DRAWER UNIT



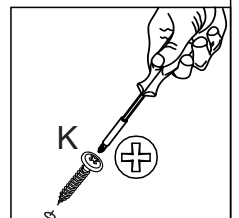
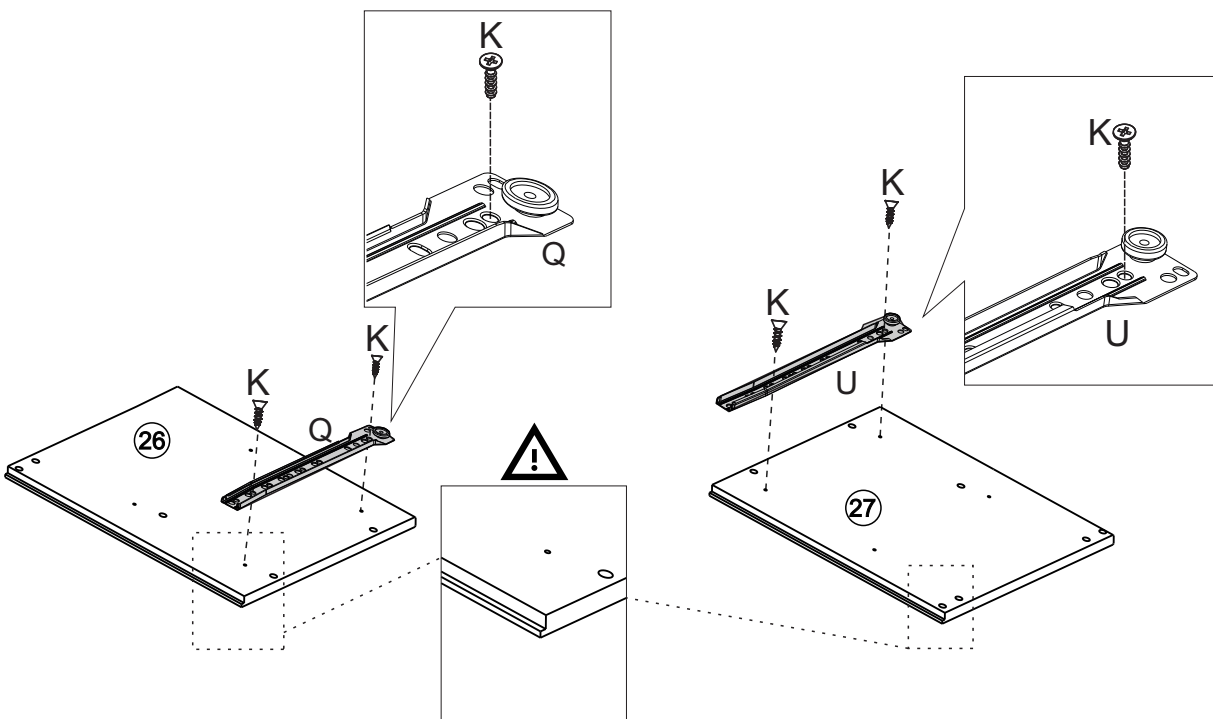
1x U



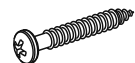
1x Q



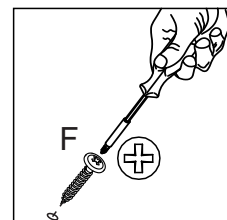
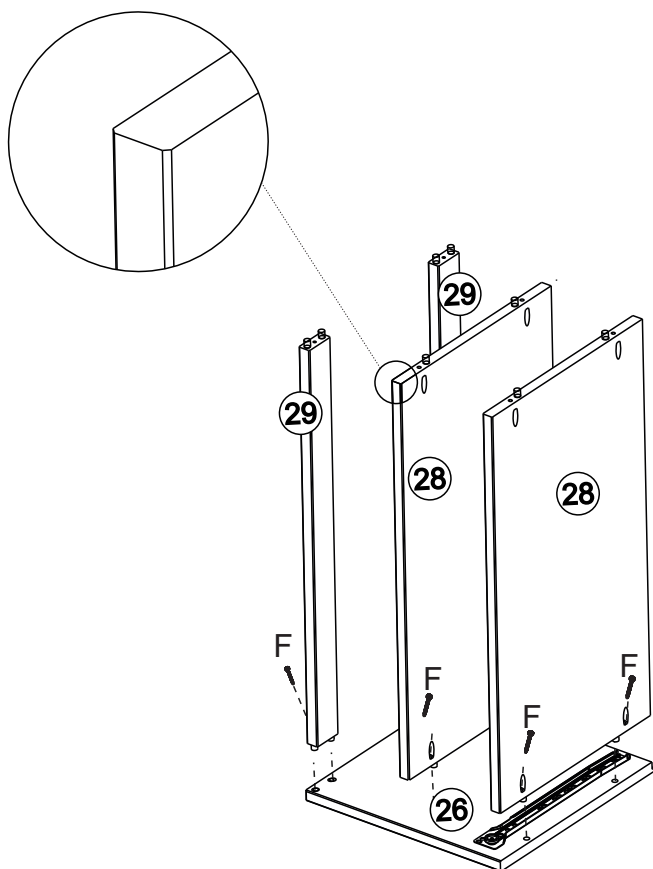
3,5x14
4x K



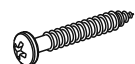
27 OPTION 1 DRAWER UNIT



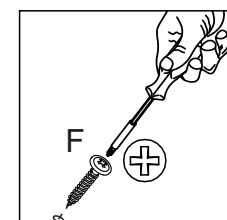
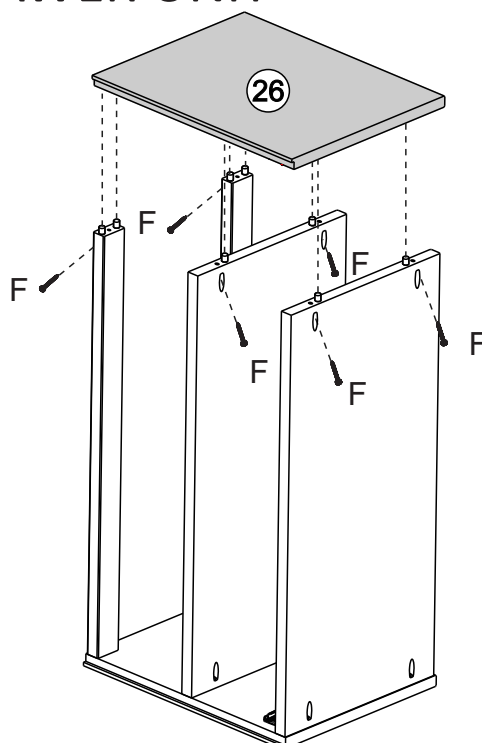
4,0x30
6x F



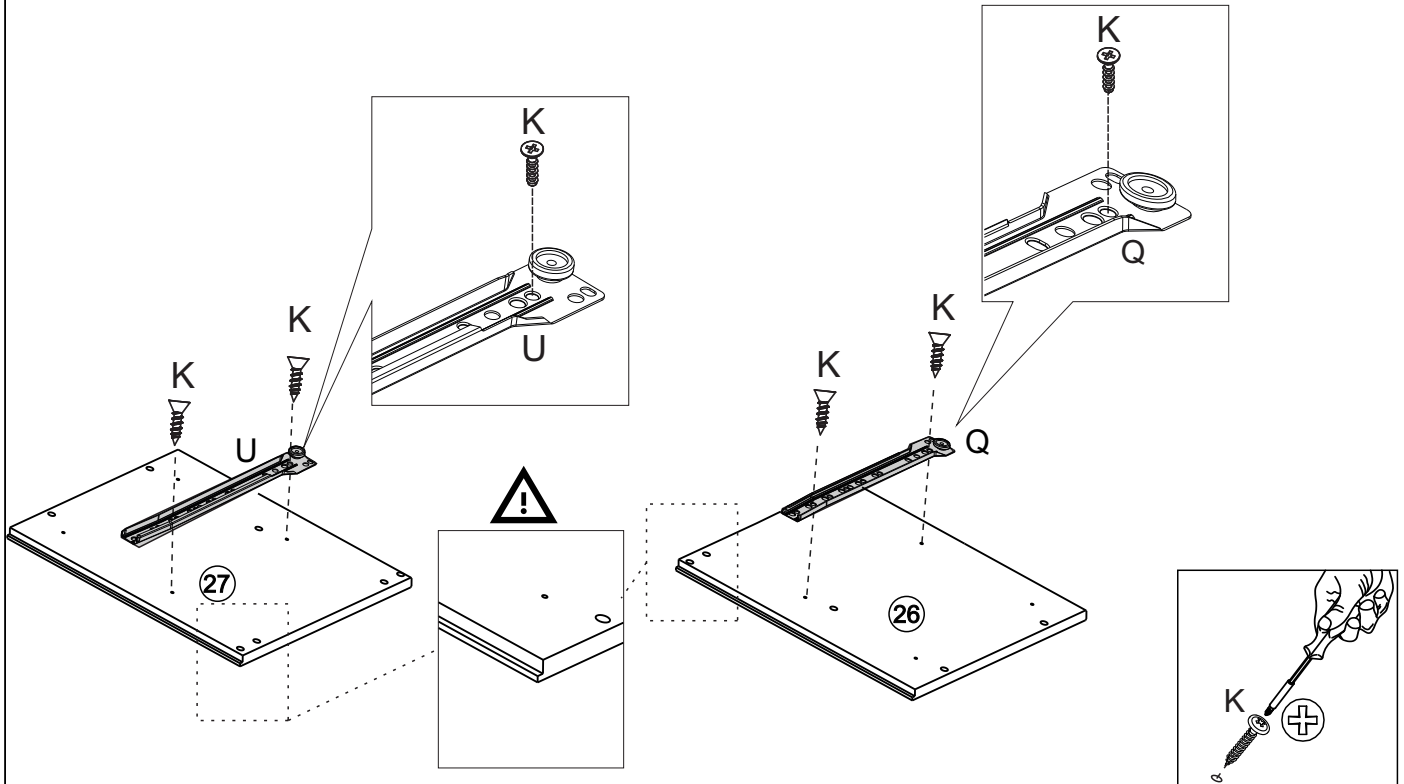
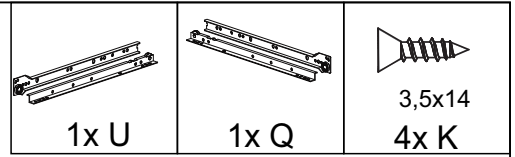
28 OPTION 1 DRAWER UNIT



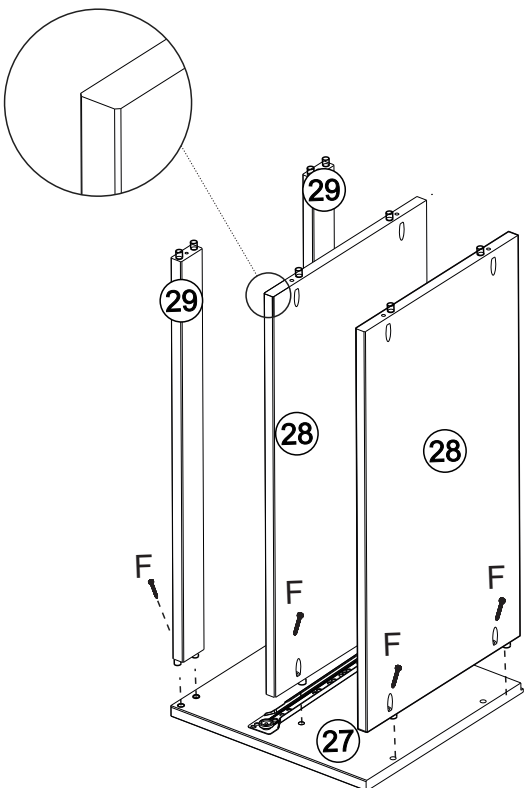
4,0x30
6x F



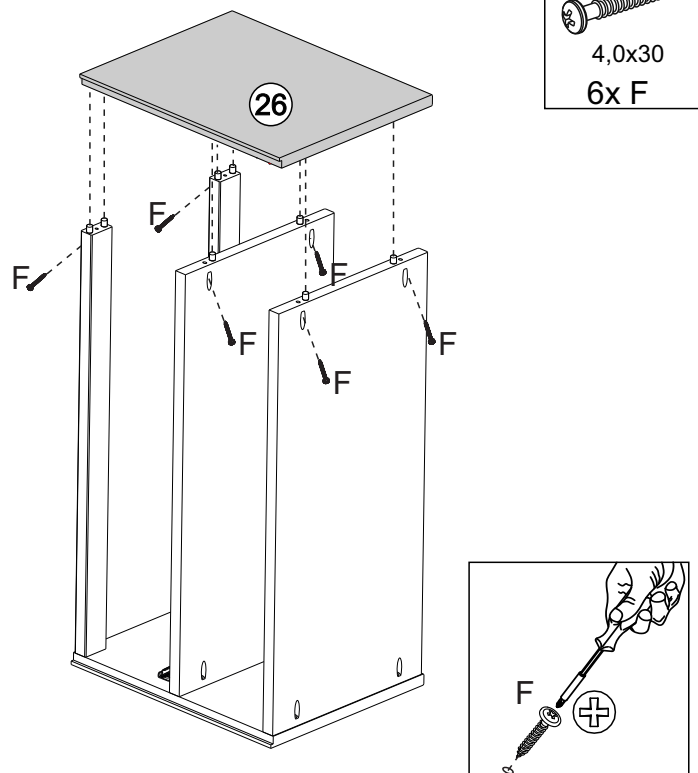
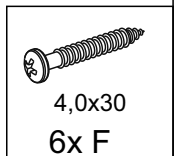
29 OPTION 2 DRAWER UNIT



30 OPTION 2 DRAWER UNIT



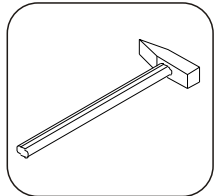
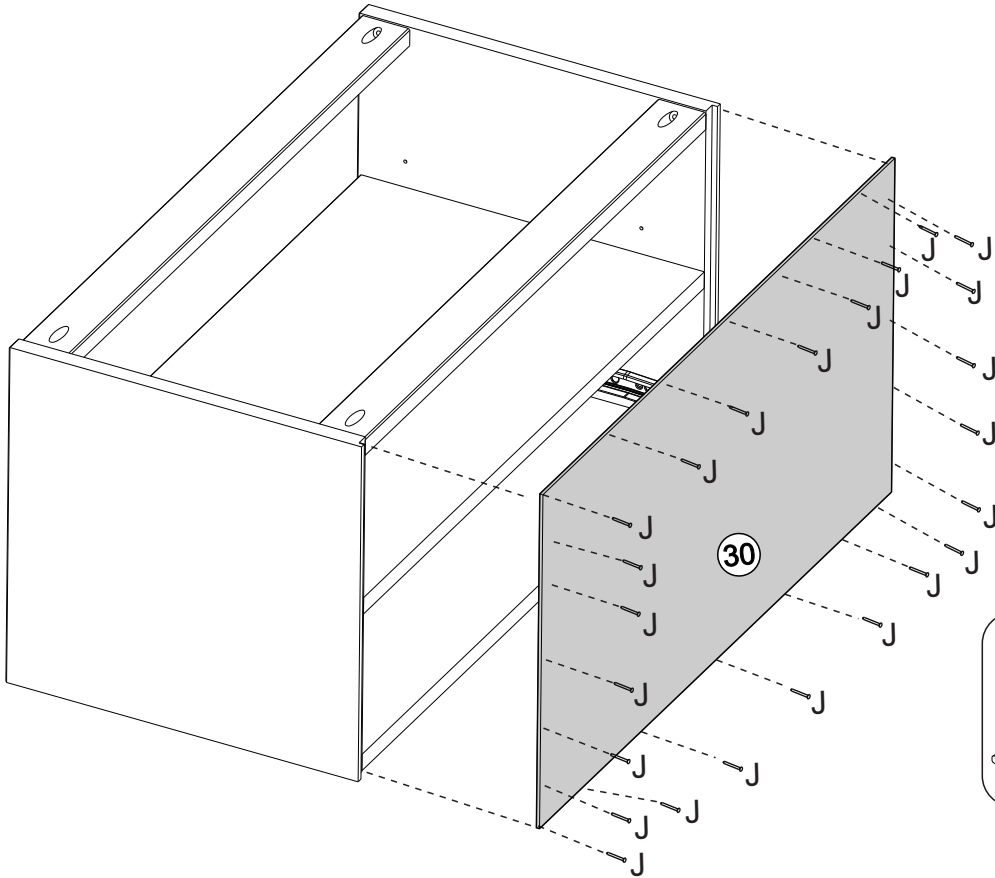
31 OPTION 2 DRAWER UNIT



32



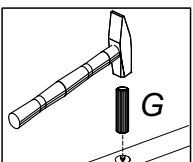
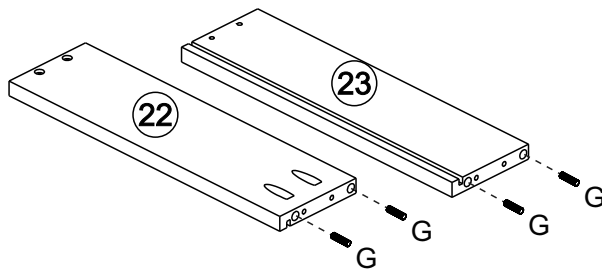
8,0x8
24x J



33



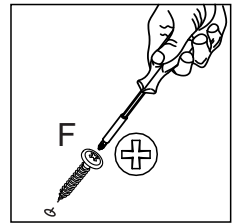
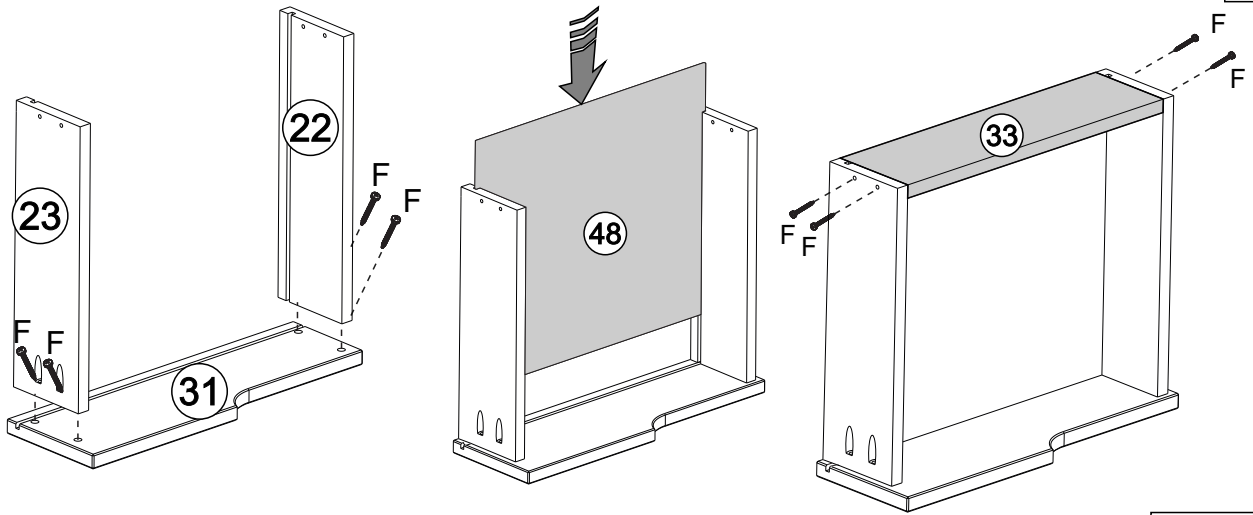
8,0x30
4x G



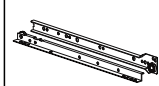
34



4,0x30
8x F



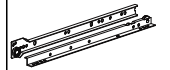
35



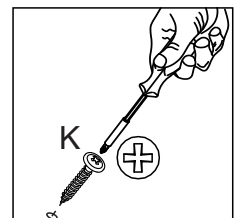
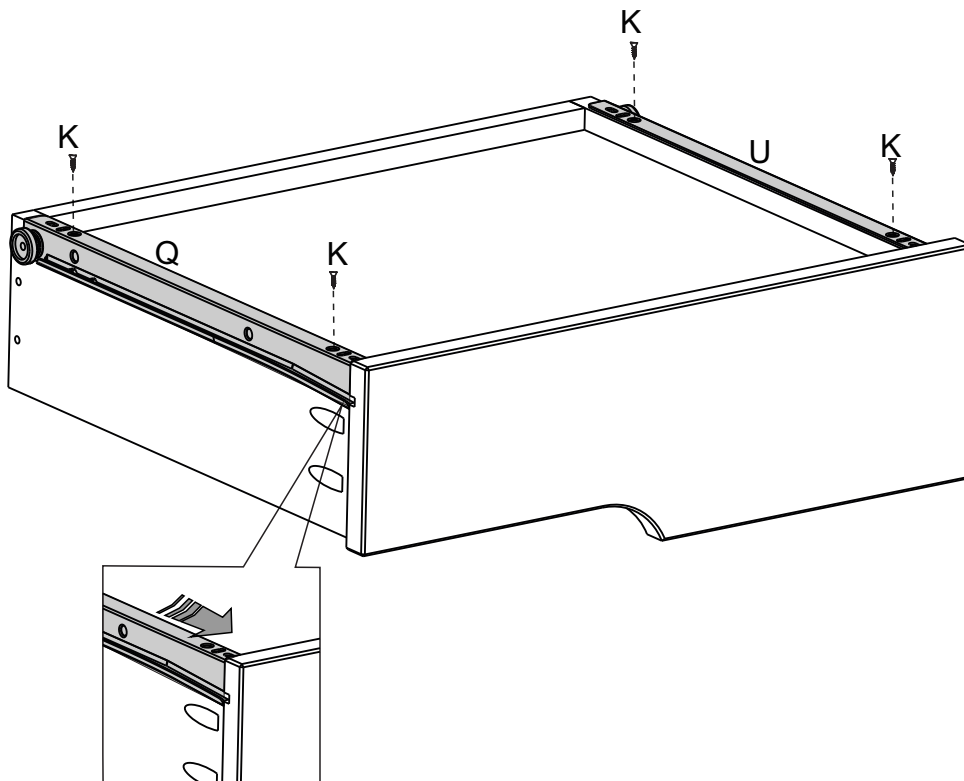
1x Q



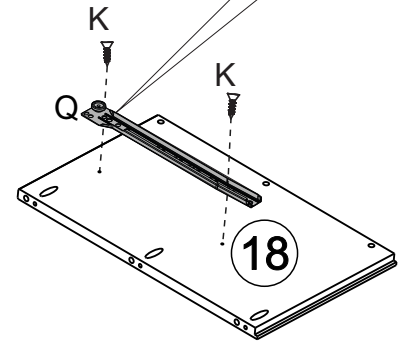
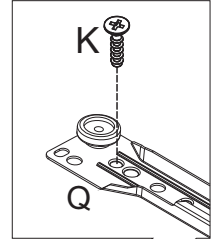
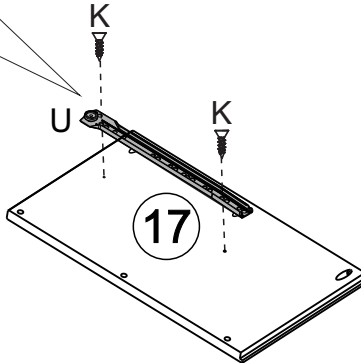
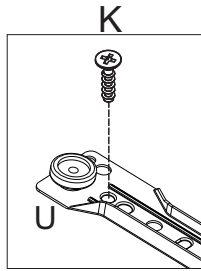
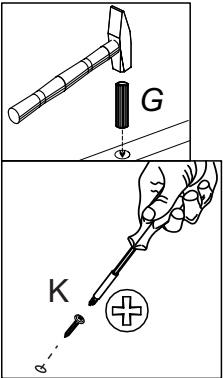
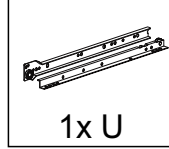
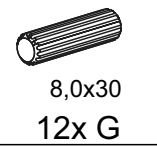
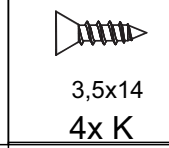
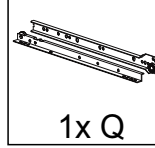
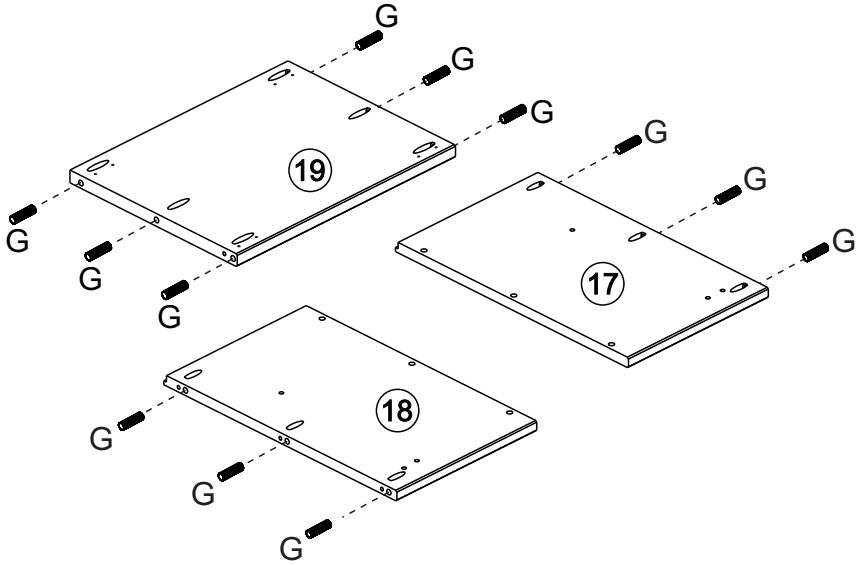
3,5x14
4x K



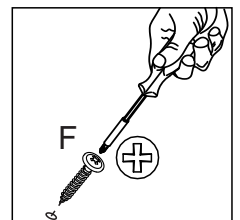
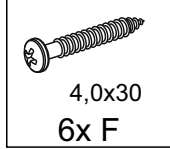
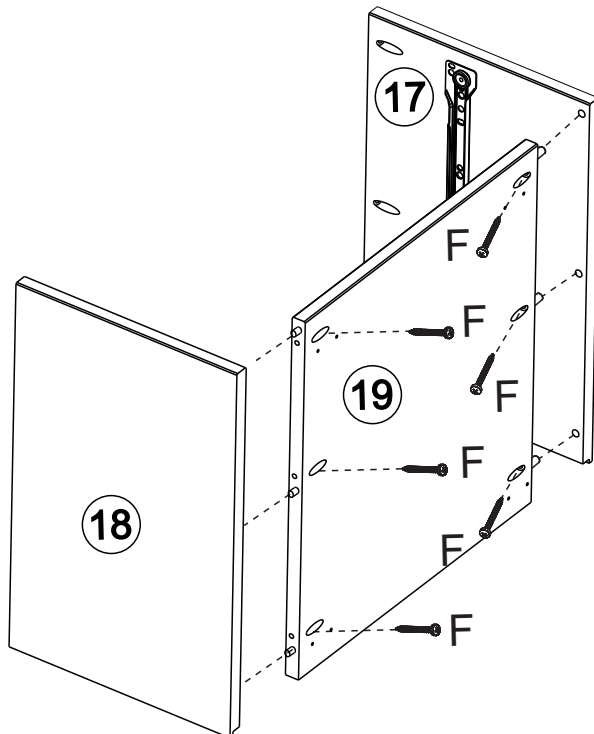
1x U



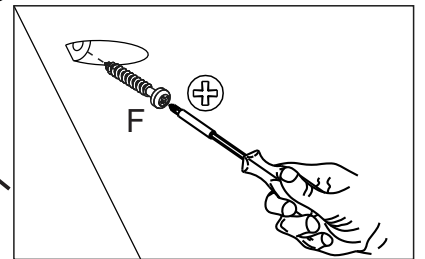
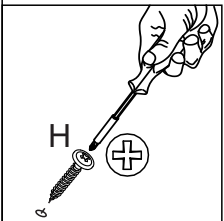
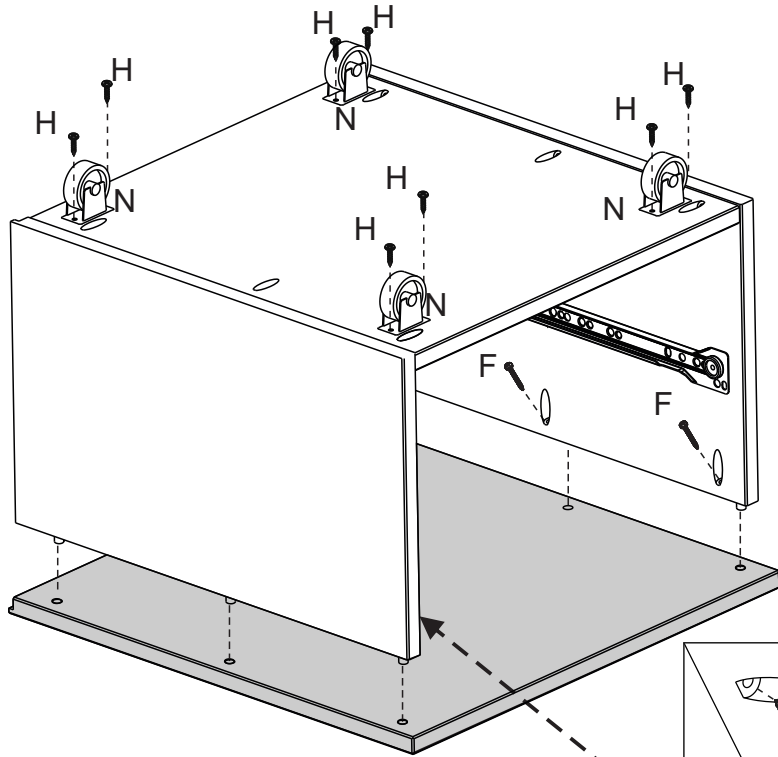
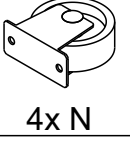
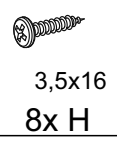
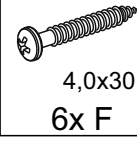
36



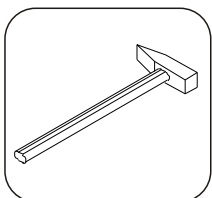
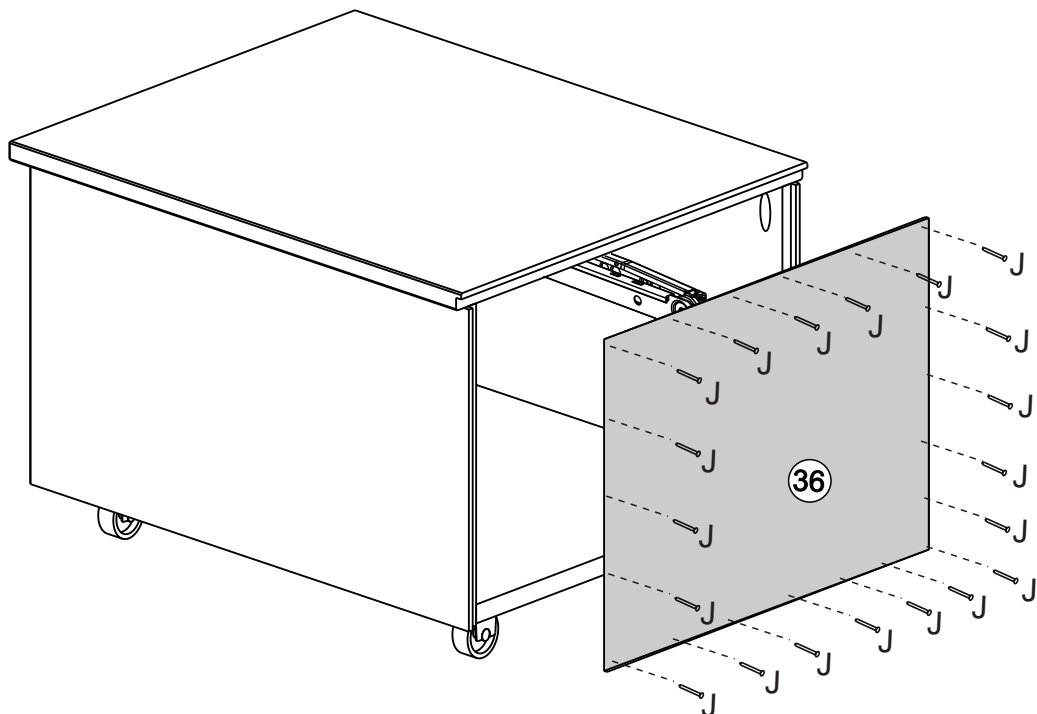
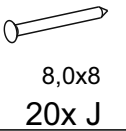
37



38



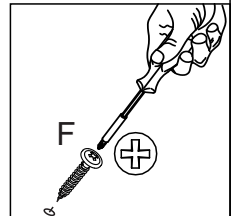
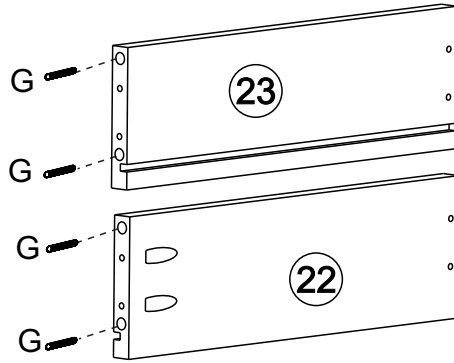
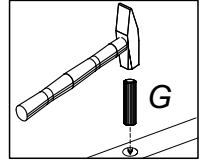
39



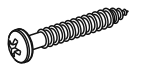
40



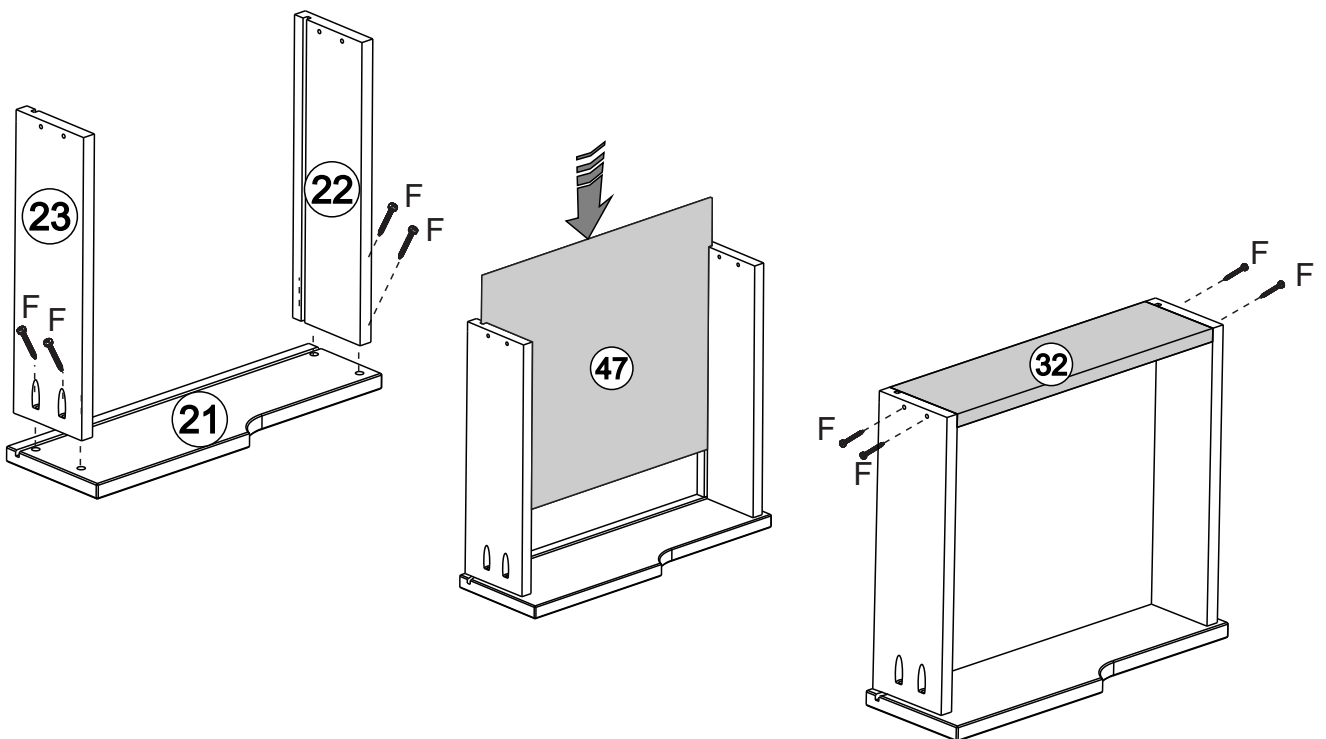
8,0x30
4x G



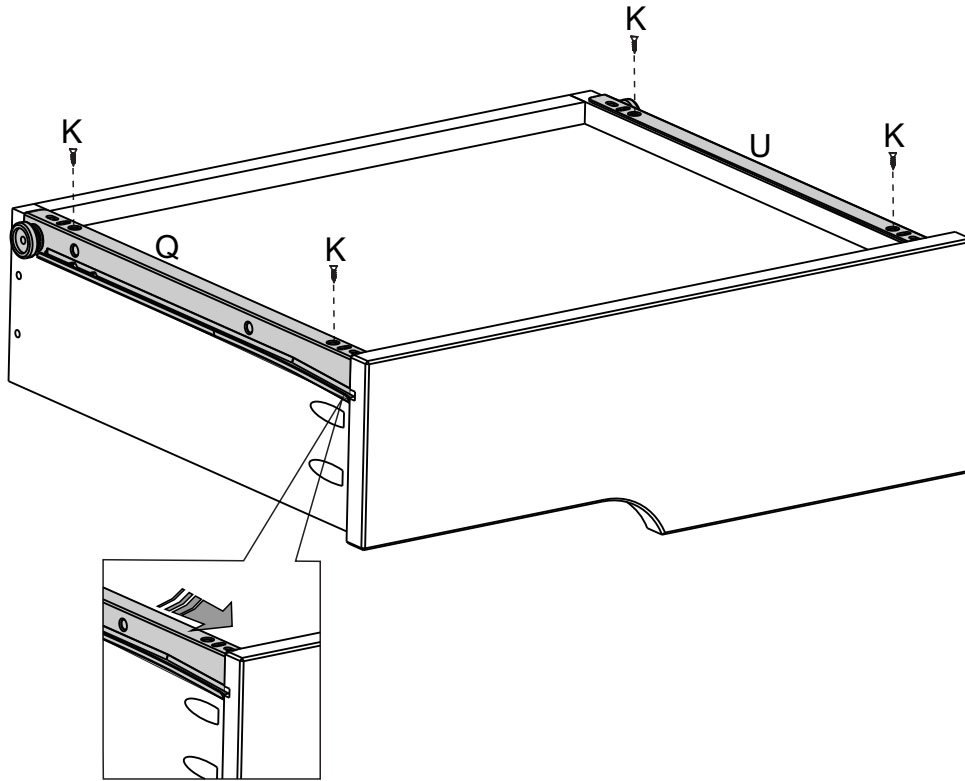
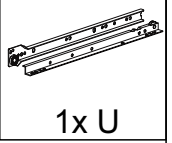
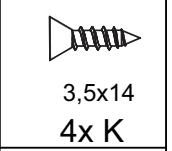
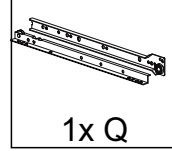
41



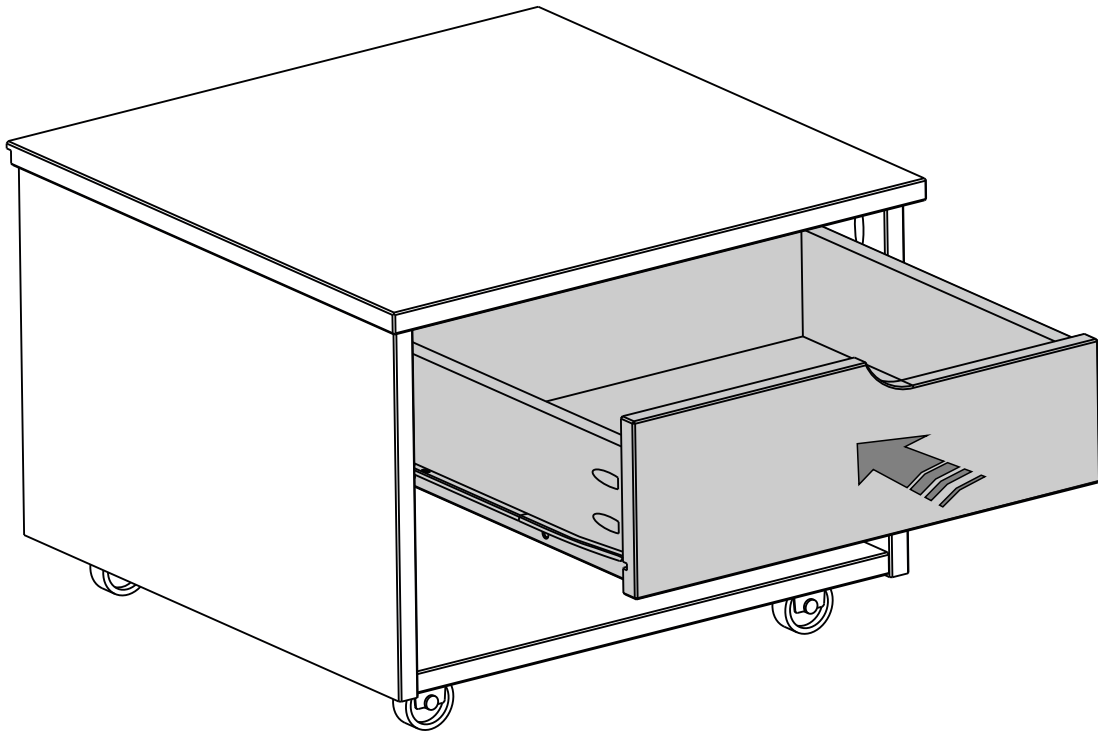
4,0x30
8x F



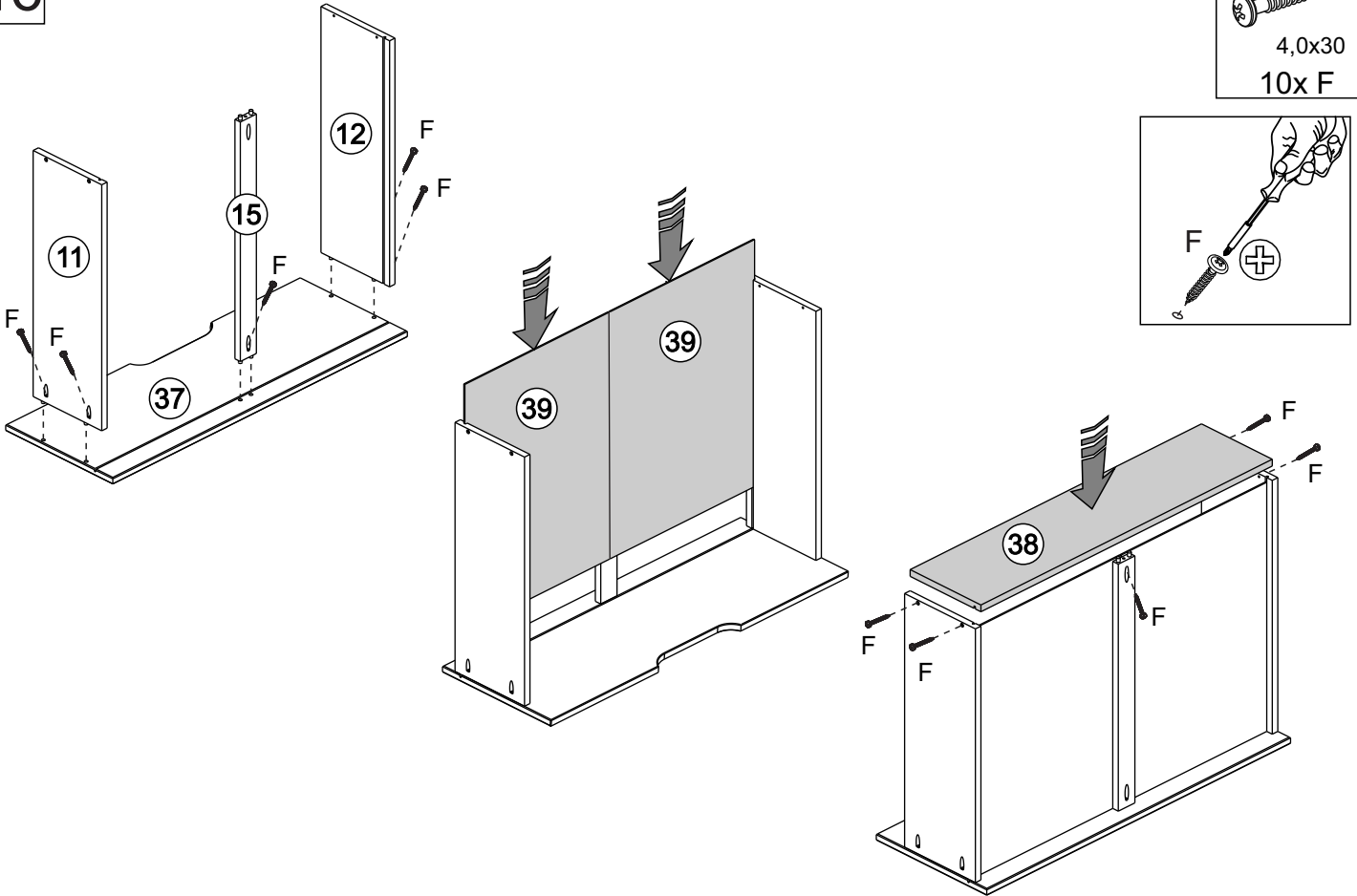
42



43



46



47

