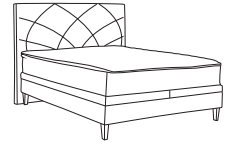








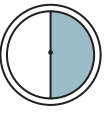
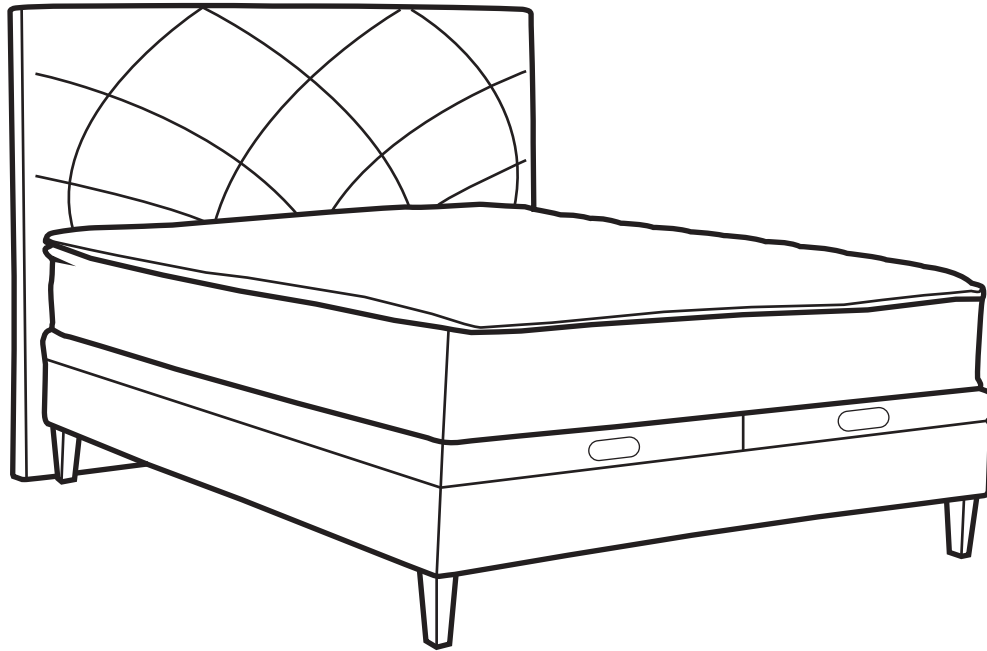


KRK

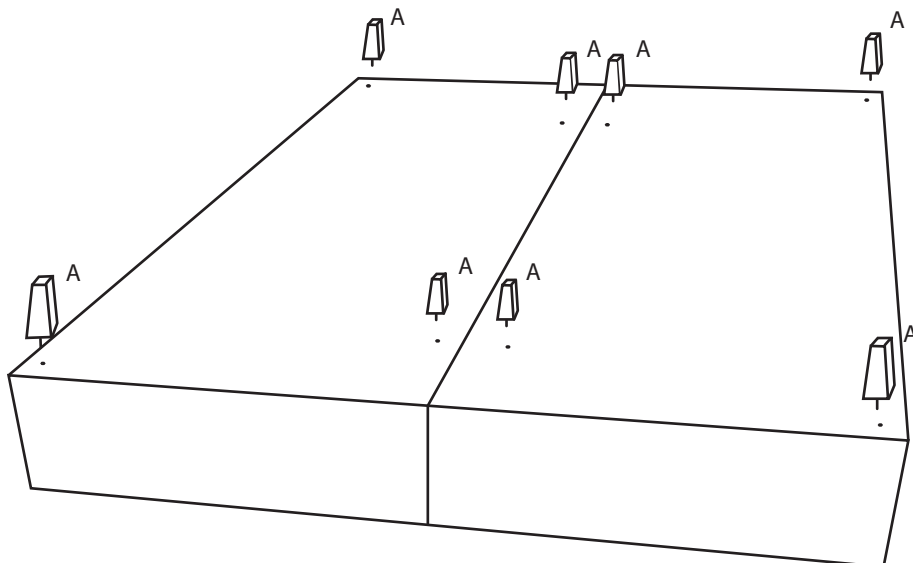
(HR) ŠEMA MONTAŽE
(GB) ASSEMBLY INSTRUCTION
(DE) AUFBAUANLEITUNG



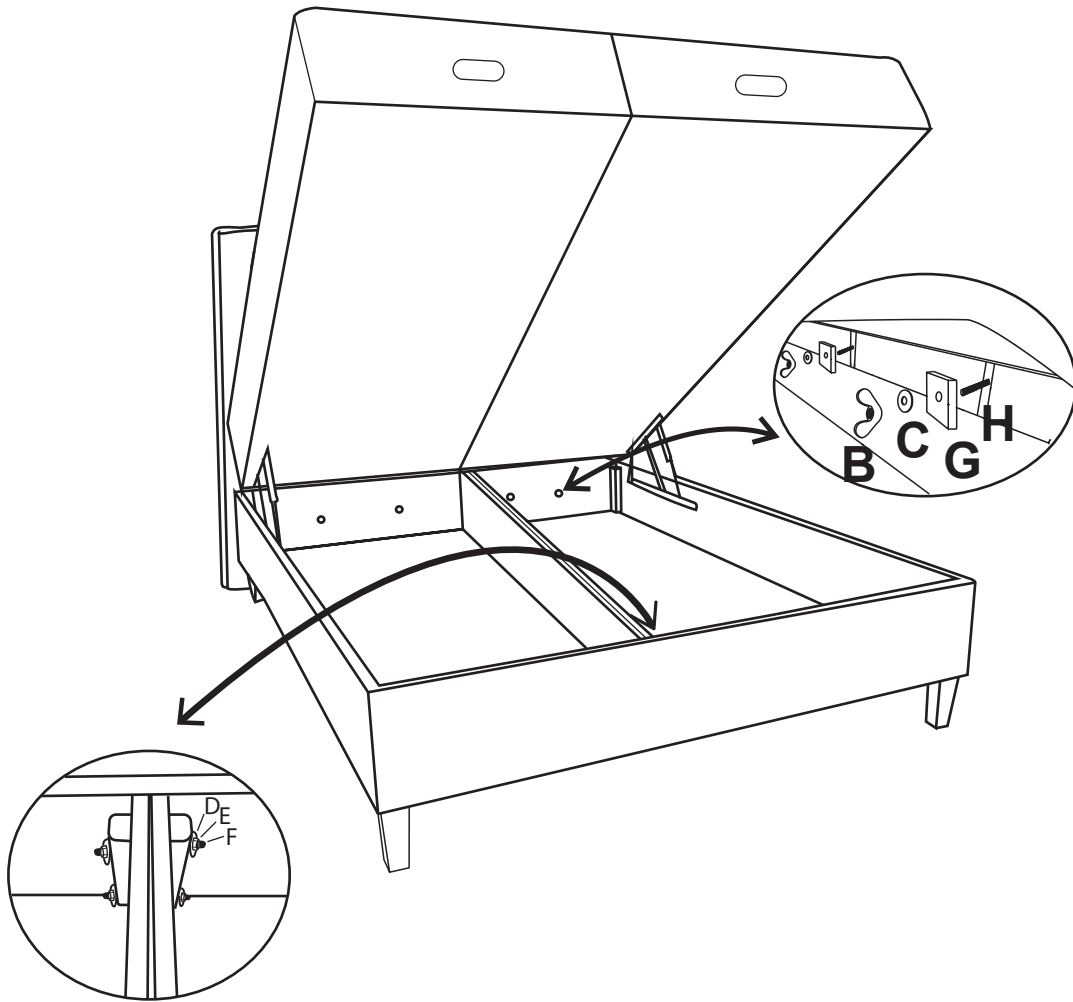
4cm  A x8	M8  B x4	8x80mm  C x2	6x100mm  D x4	M6  E x4	M6  F x4	 G x2	M8  H x2	 30 min
---	---	---	--	---	--	---	---	---



1



2



3

