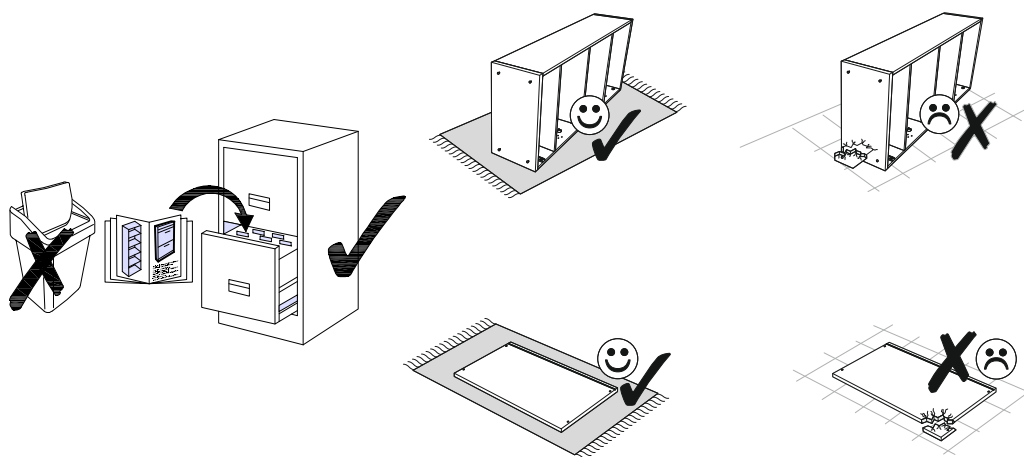
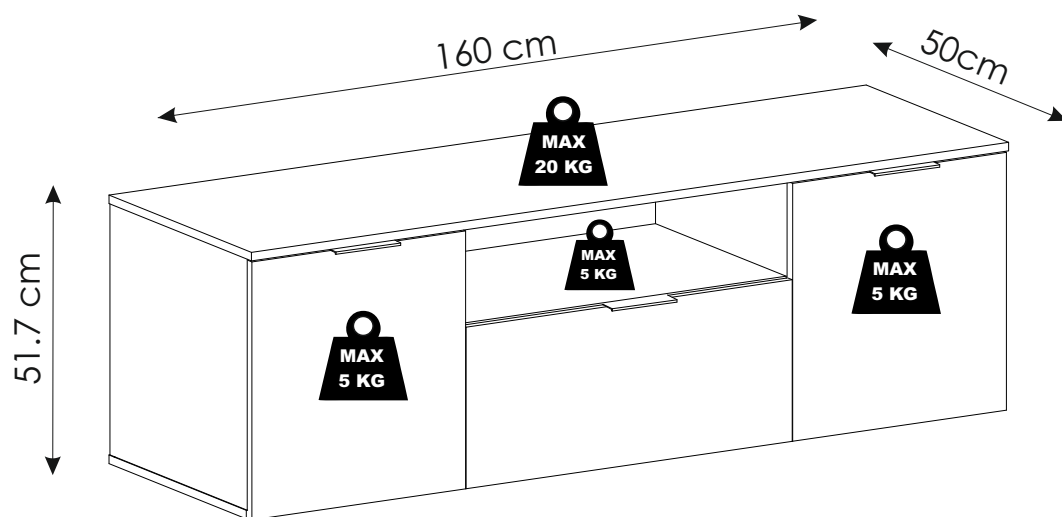
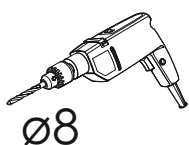
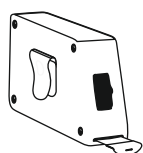
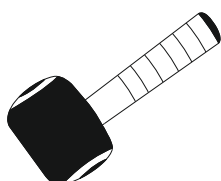
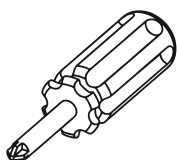
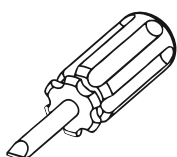
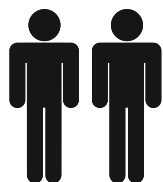
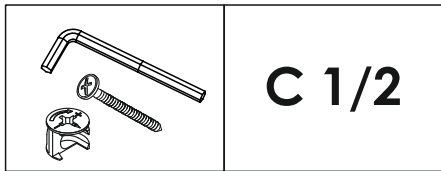
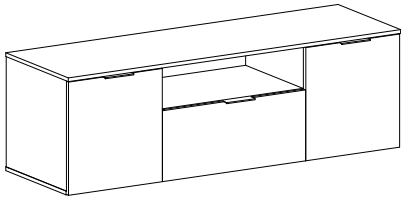


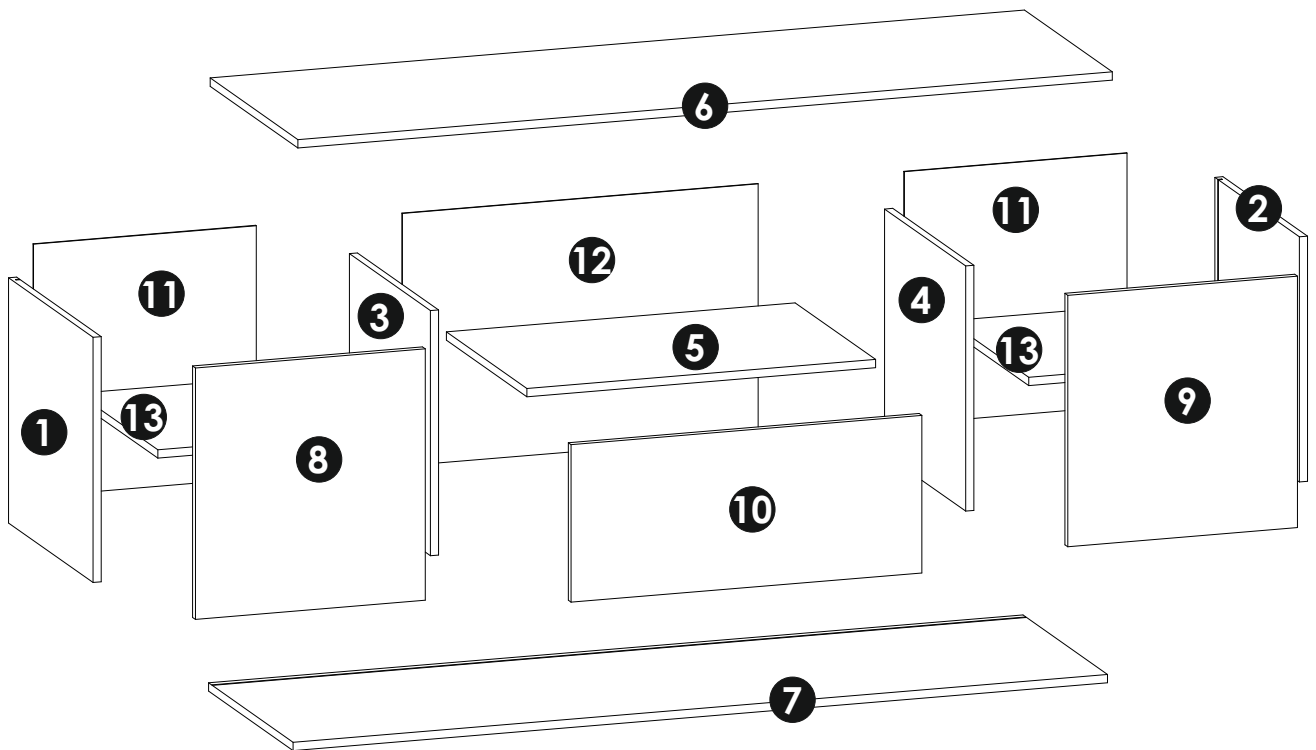


# Modell: KERA

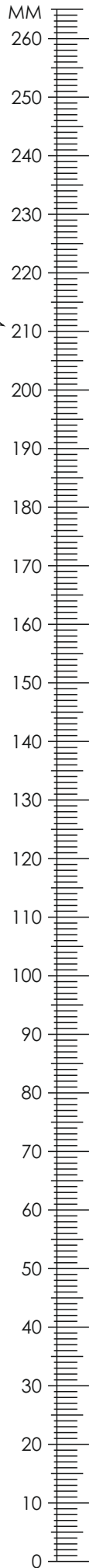
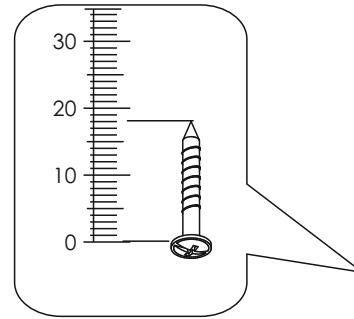
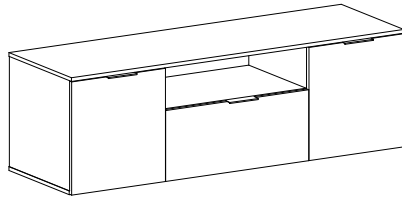




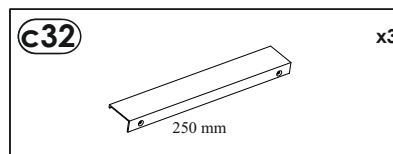
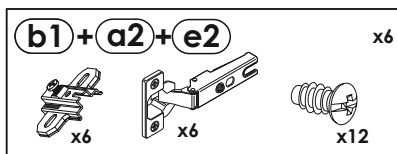
<b>1</b>	470	482	16	x1	1/2
<b>2</b>	470	482	16	x1	1/2
<b>3</b>	470	419	16	x1	1/2
<b>4</b>	470	419	16	x1	1/2
<b>5</b>	686	416	16	x1	1/2
<b>6</b>	1600	500	16	x1	2/2
<b>7</b>	1600	482	16	x1	2/2
<b>8</b>	480	450	16	x1	2/2
<b>9</b>	480	450	16	x1	2/2
<b>10</b>	688	300	16	x1	2/2
<b>11</b>	484	438	3	x2	2/2
<b>12</b>	700	484	3	x1	2/2
<b>13</b>	424	415	16	x2	1/2

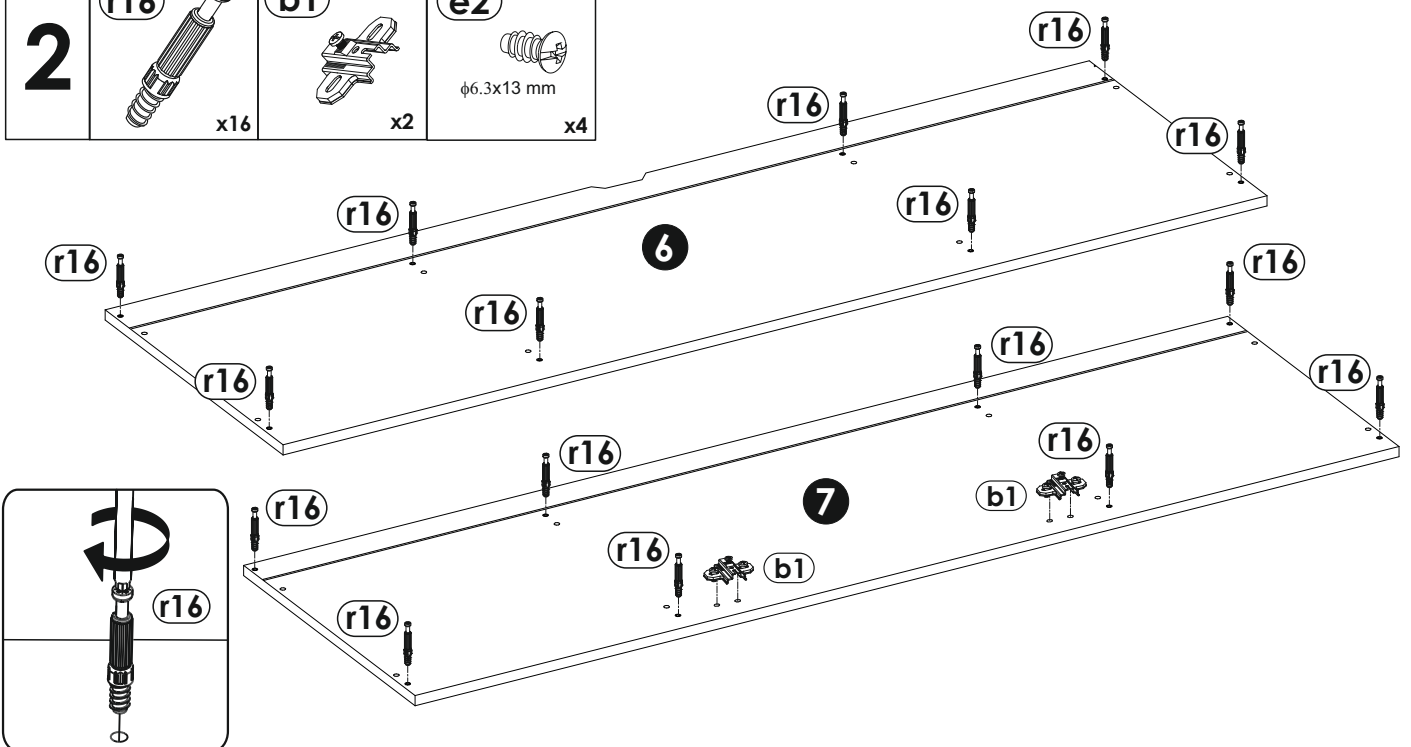
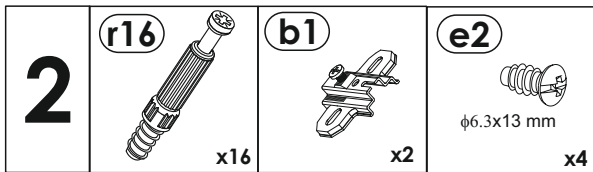
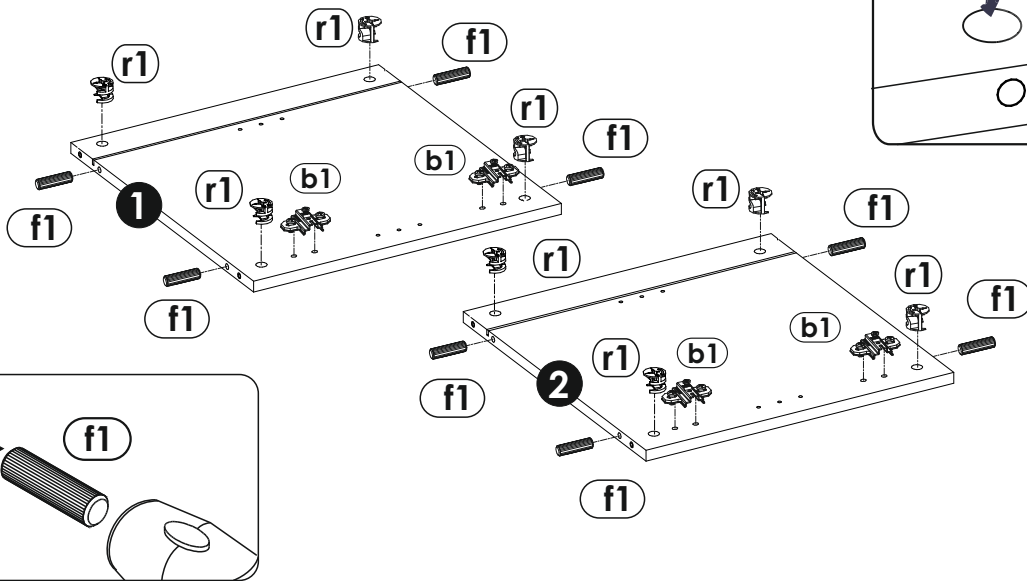
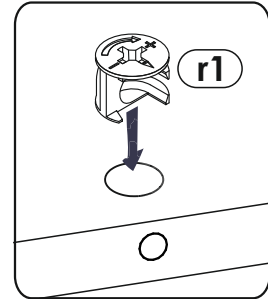
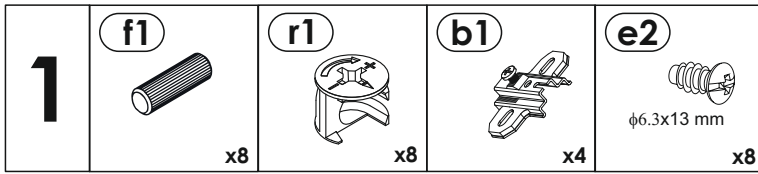
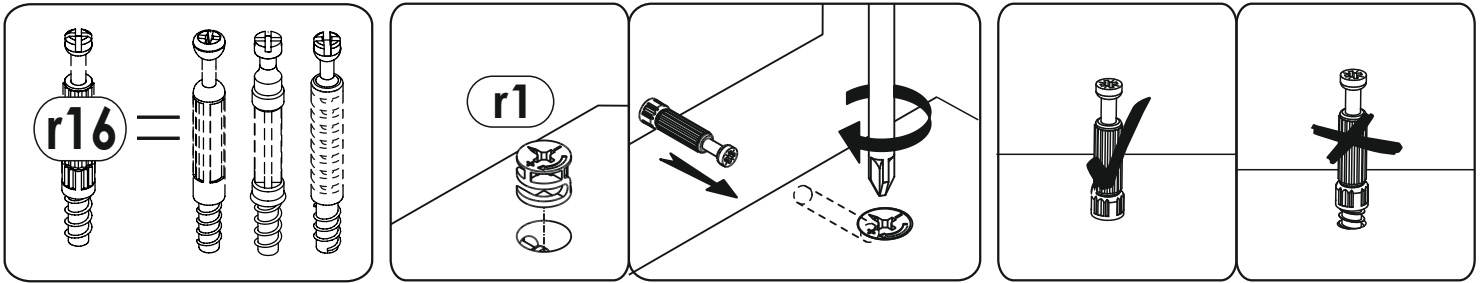


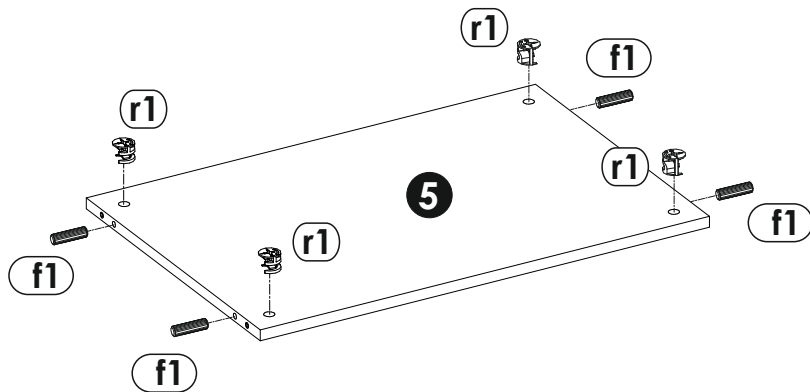
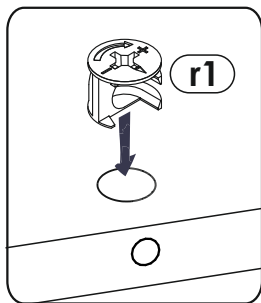
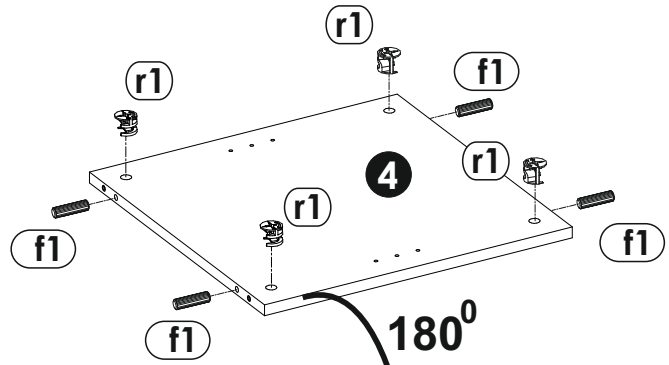
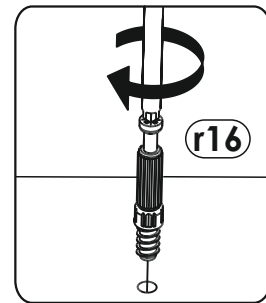
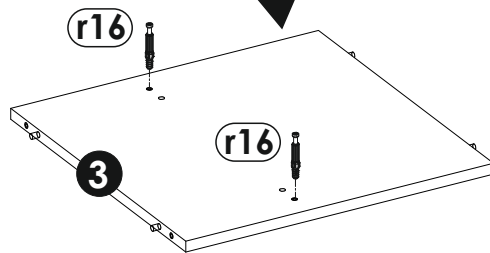
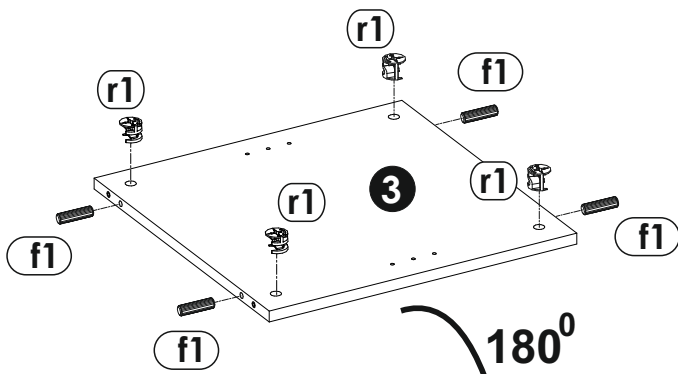
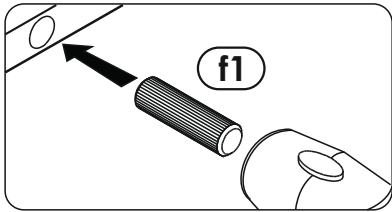
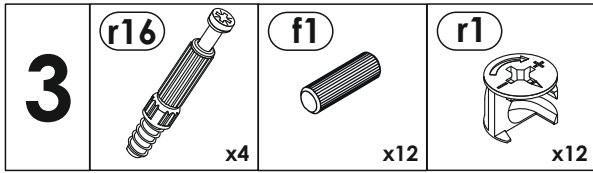
# KERA RTV 3D

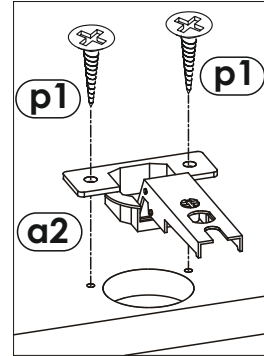
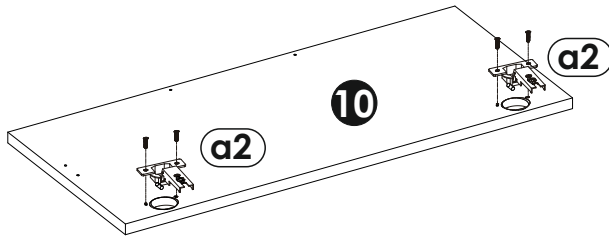
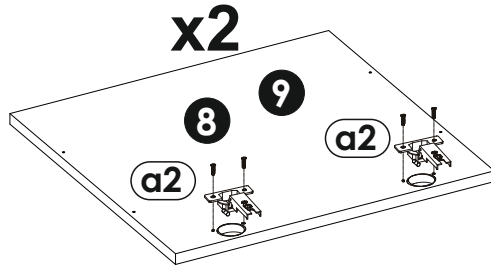
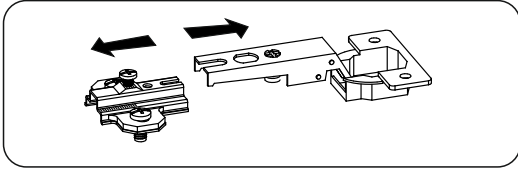
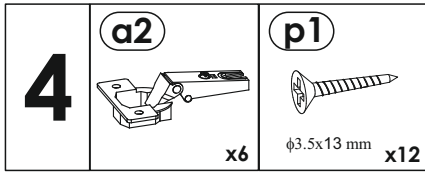


<b>A</b>	<b>f1</b> 8 x 32 mm x20	<b>r16</b> 6 x 34 mm x20	<b>r1</b> 15 x 12 mm x20
	<b>p4</b> 3.5 x 16 mm x6		
<b>B</b>	<b>d1</b> φ5x17 mm x8	<b>p5</b> 4.2 x 13 mm x6	<b>k33</b> x5
	<b>o21</b> x6	<b>p70</b> 4 X 20 mm x5	
<b>C</b>	<b>p1</b> 3.5 X 13 mm x16	<b>i9</b> x6	<b>s2/a</b> x12
	<b>s2/b</b> x8	<b>i2</b> x18	<b>m3</b> x1

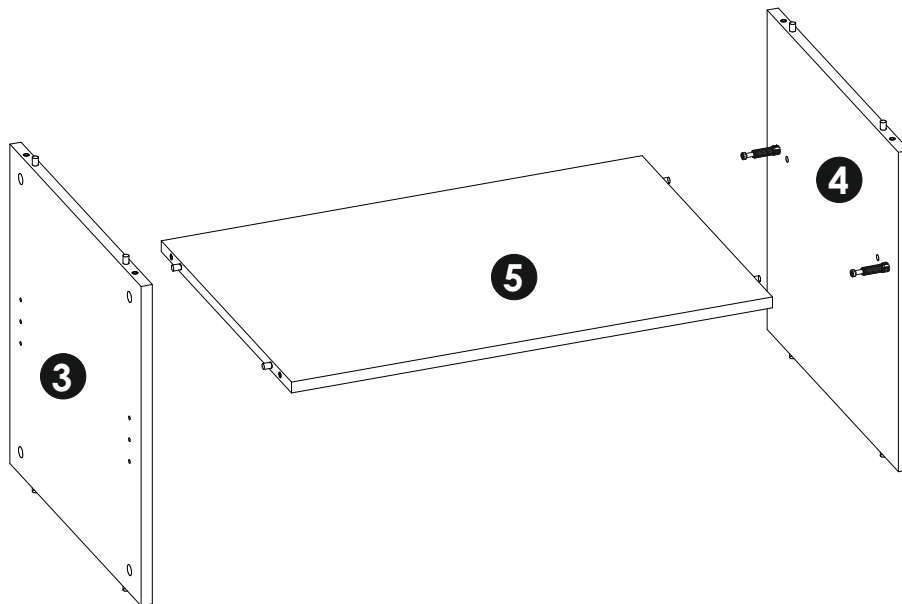
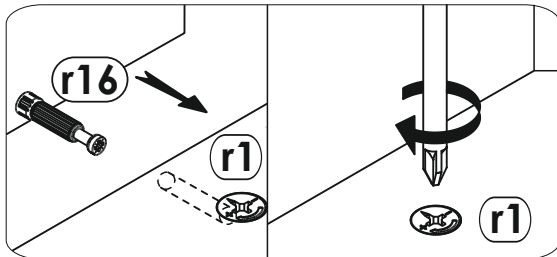




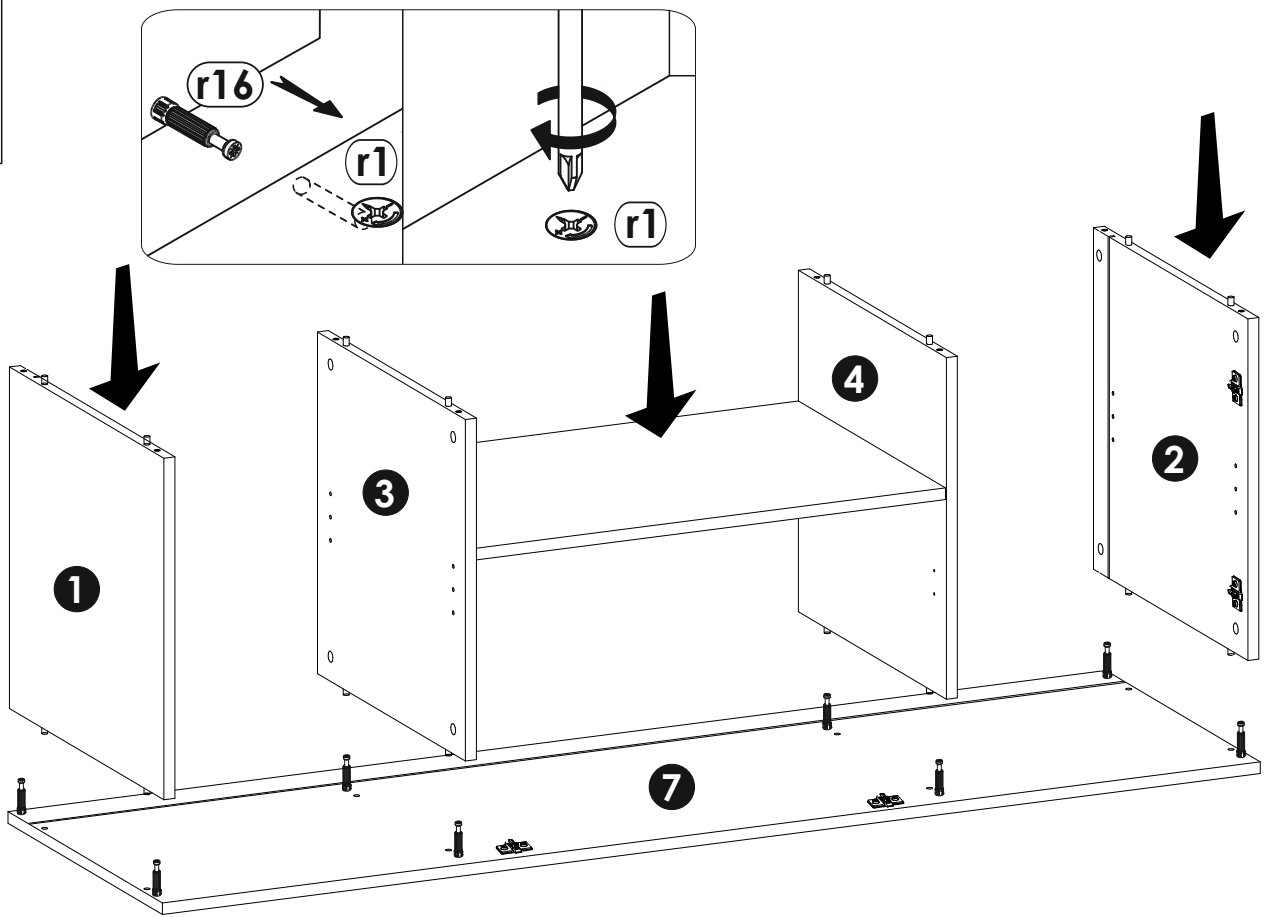




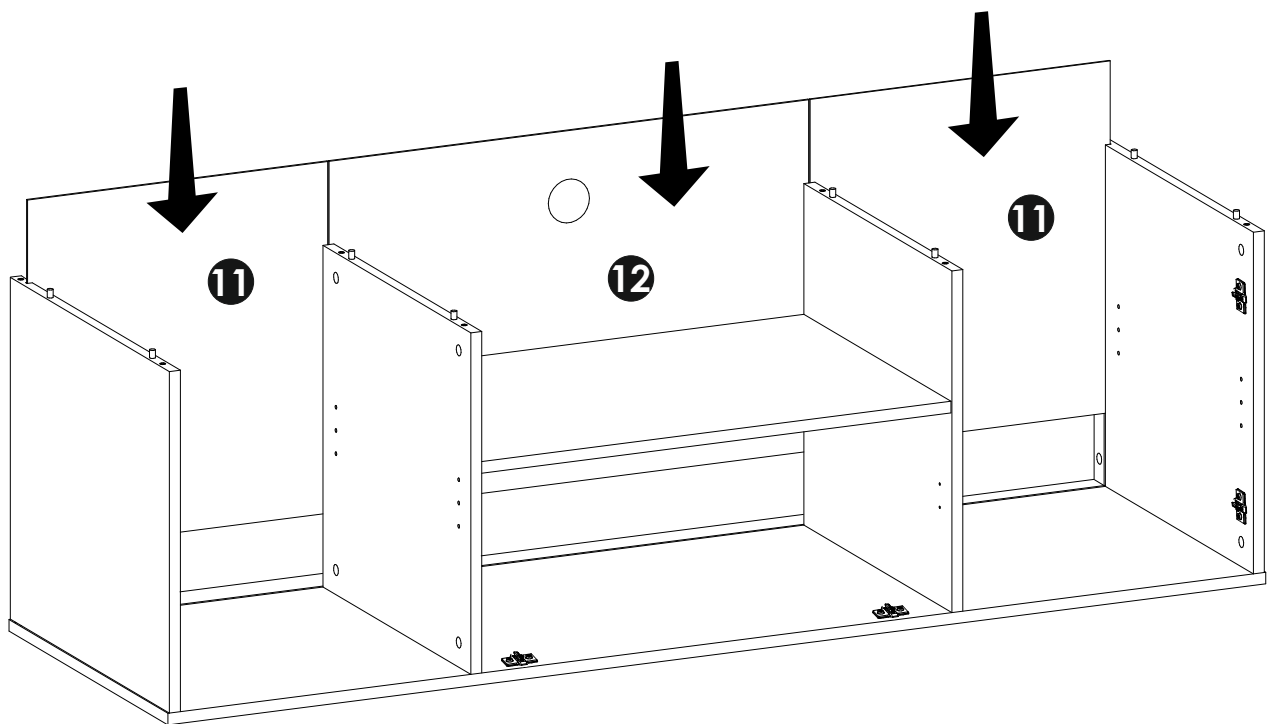
**5**



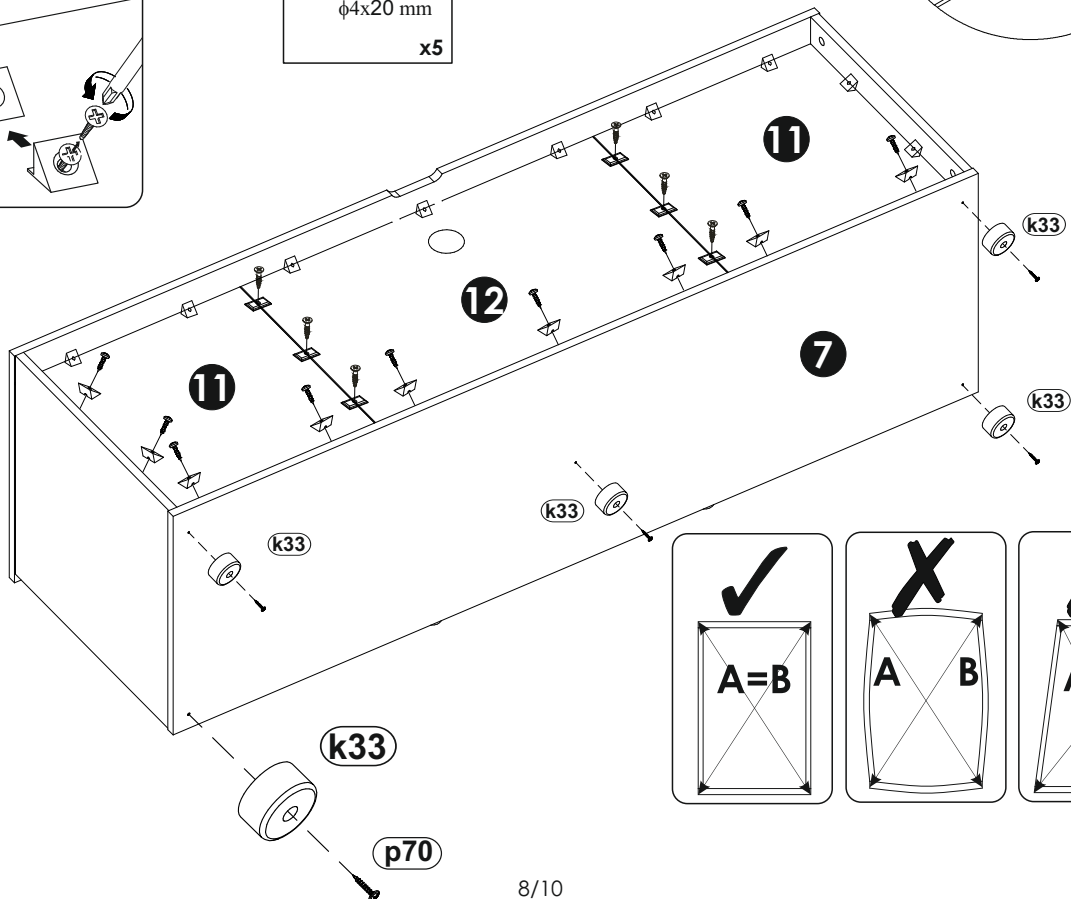
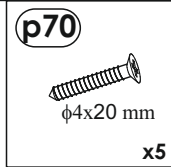
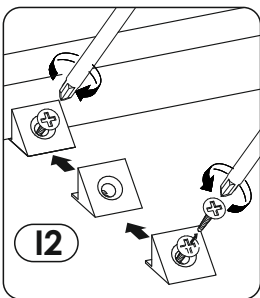
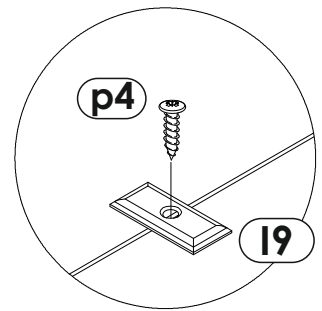
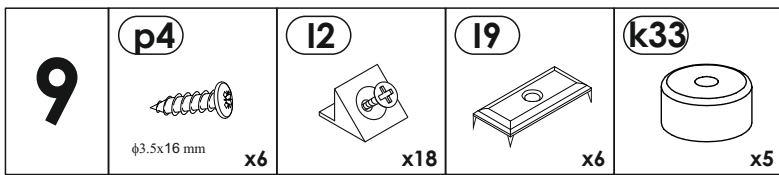
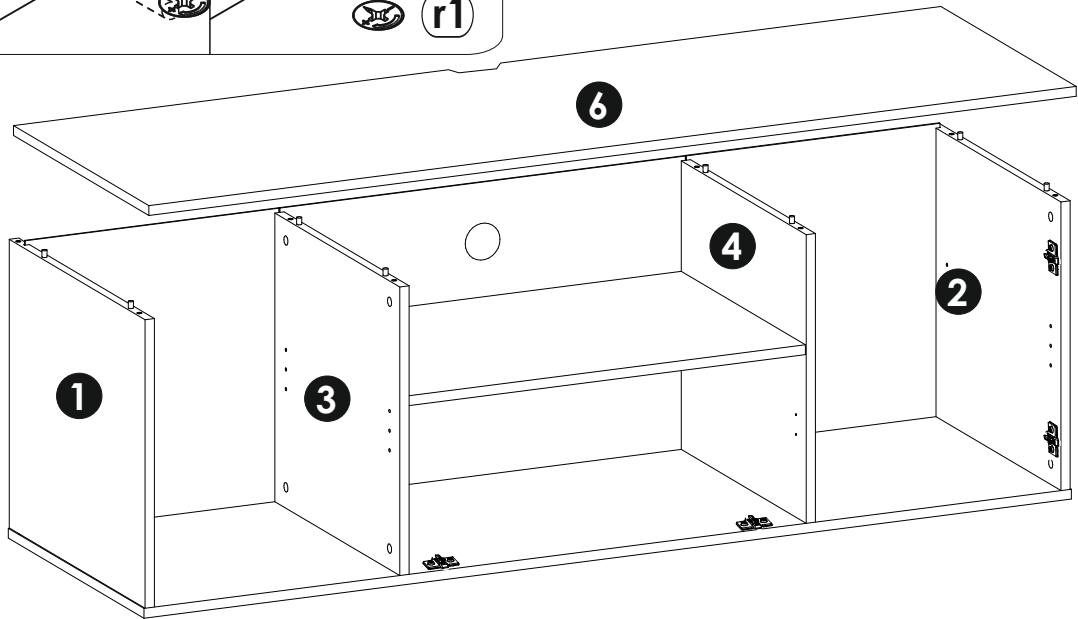
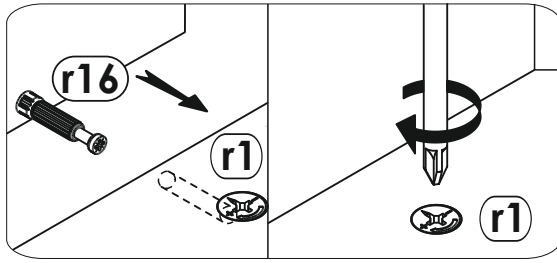
6

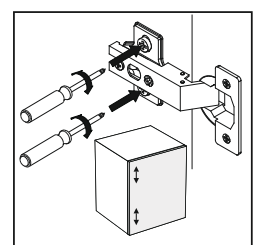
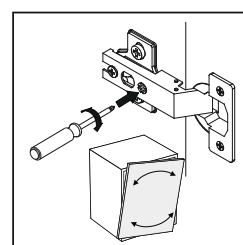
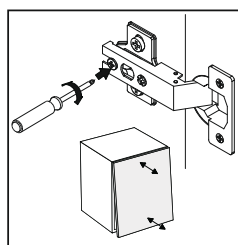
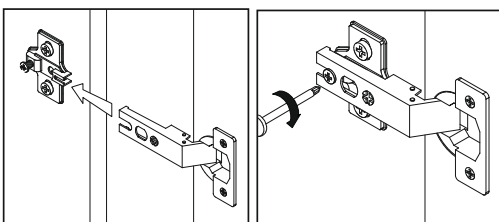
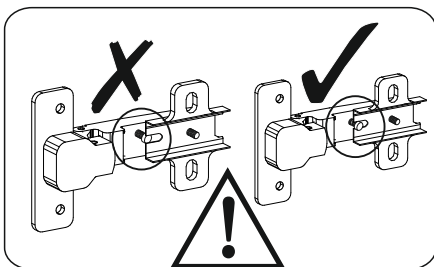
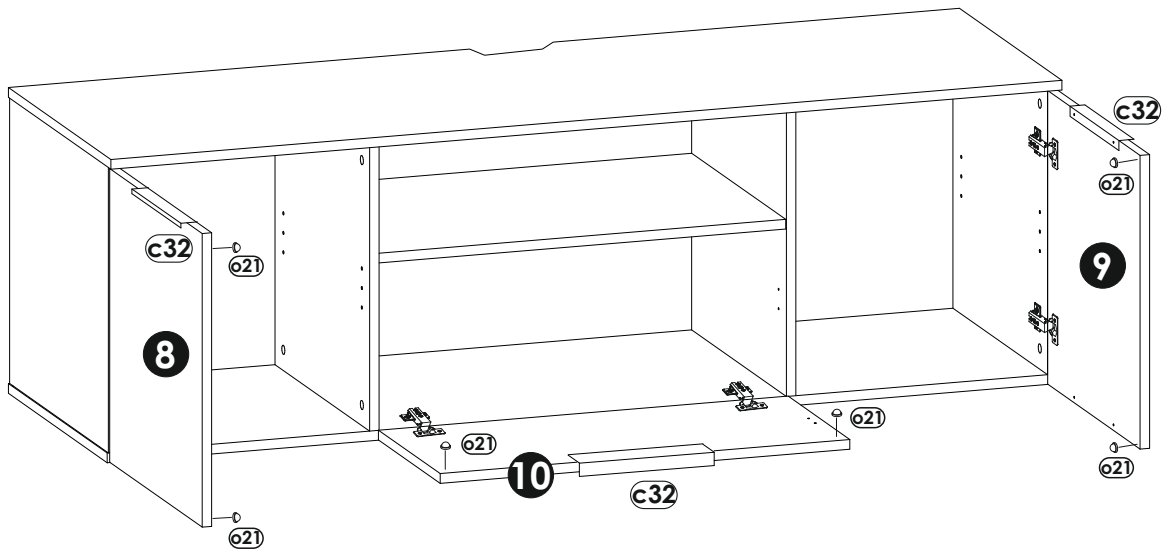
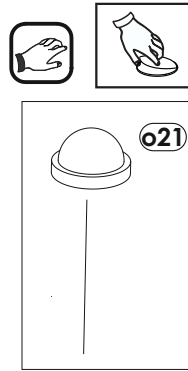
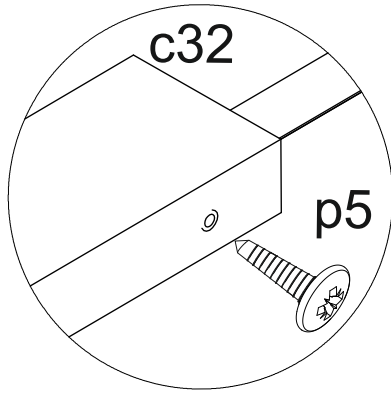
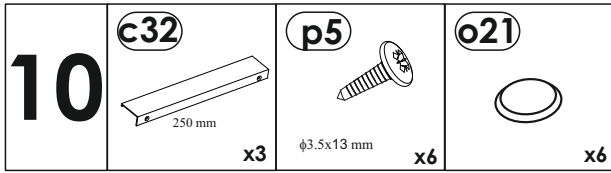




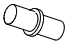

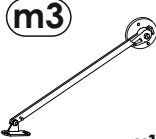
7



8





<b>11</b>	<b>s2/a</b>  <b>x12</b>	<b>s2/b</b>  <b>x8</b>	<b>d1</b>  $\phi 5 \times 17 \text{ mm}$ <b>x8</b>	<b>p1</b>  $\phi 3.5 \times 13 \text{ mm}$ <b>x4</b>	<b>m3</b>  <b>x1</b>
-----------	--	---	--	--	--

