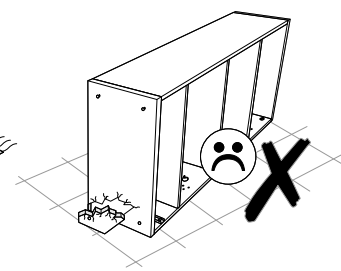
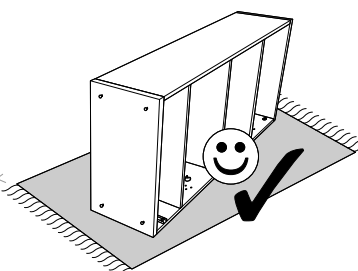
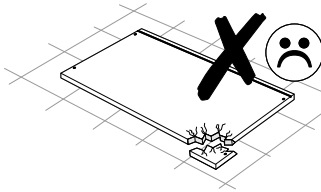
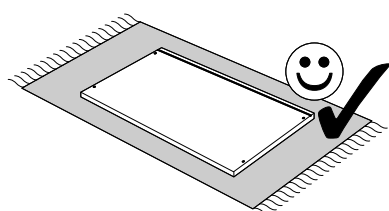
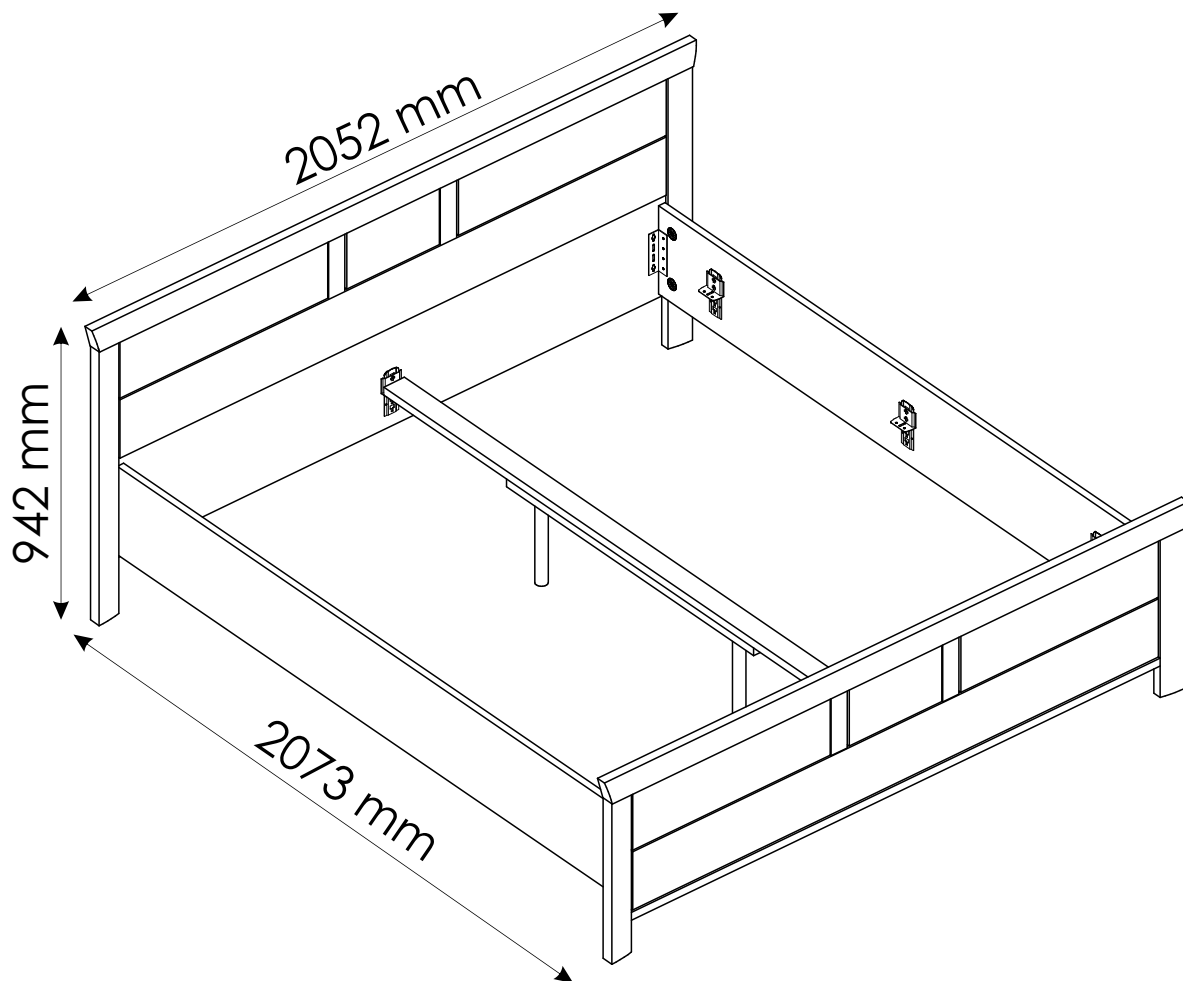
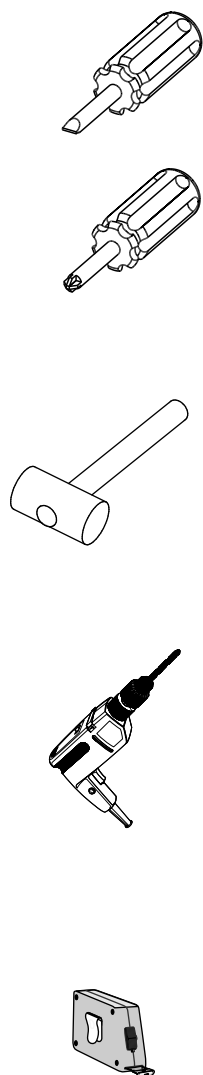
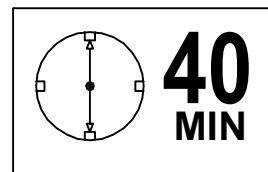
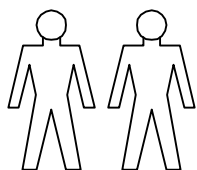
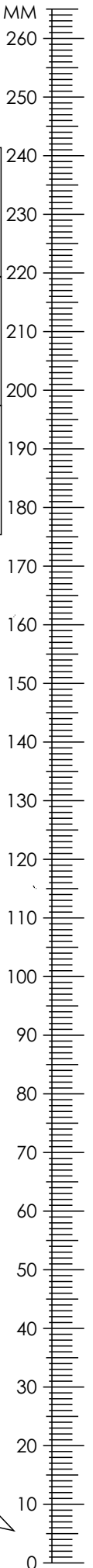
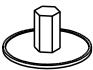
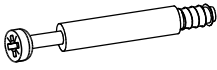
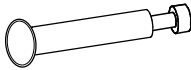

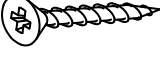


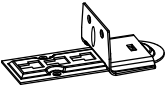
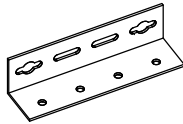
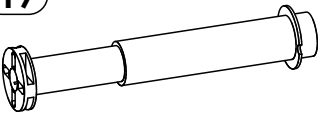



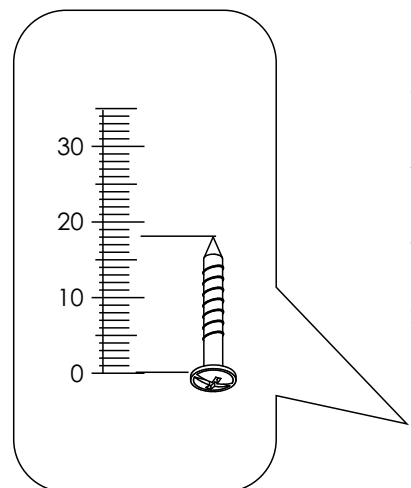
CAMRON - BETT



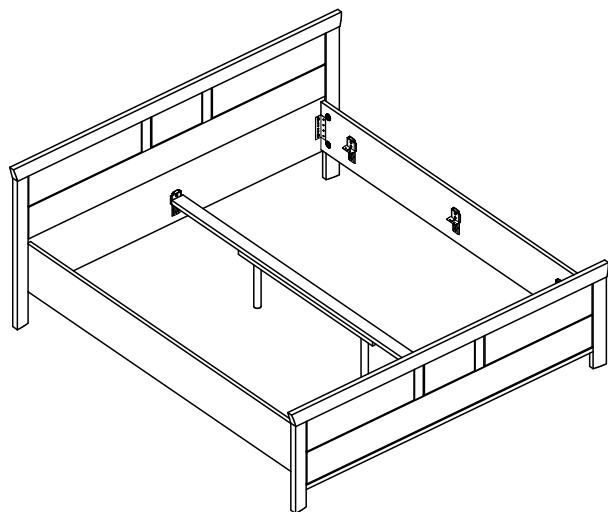
CAMRON - BETT




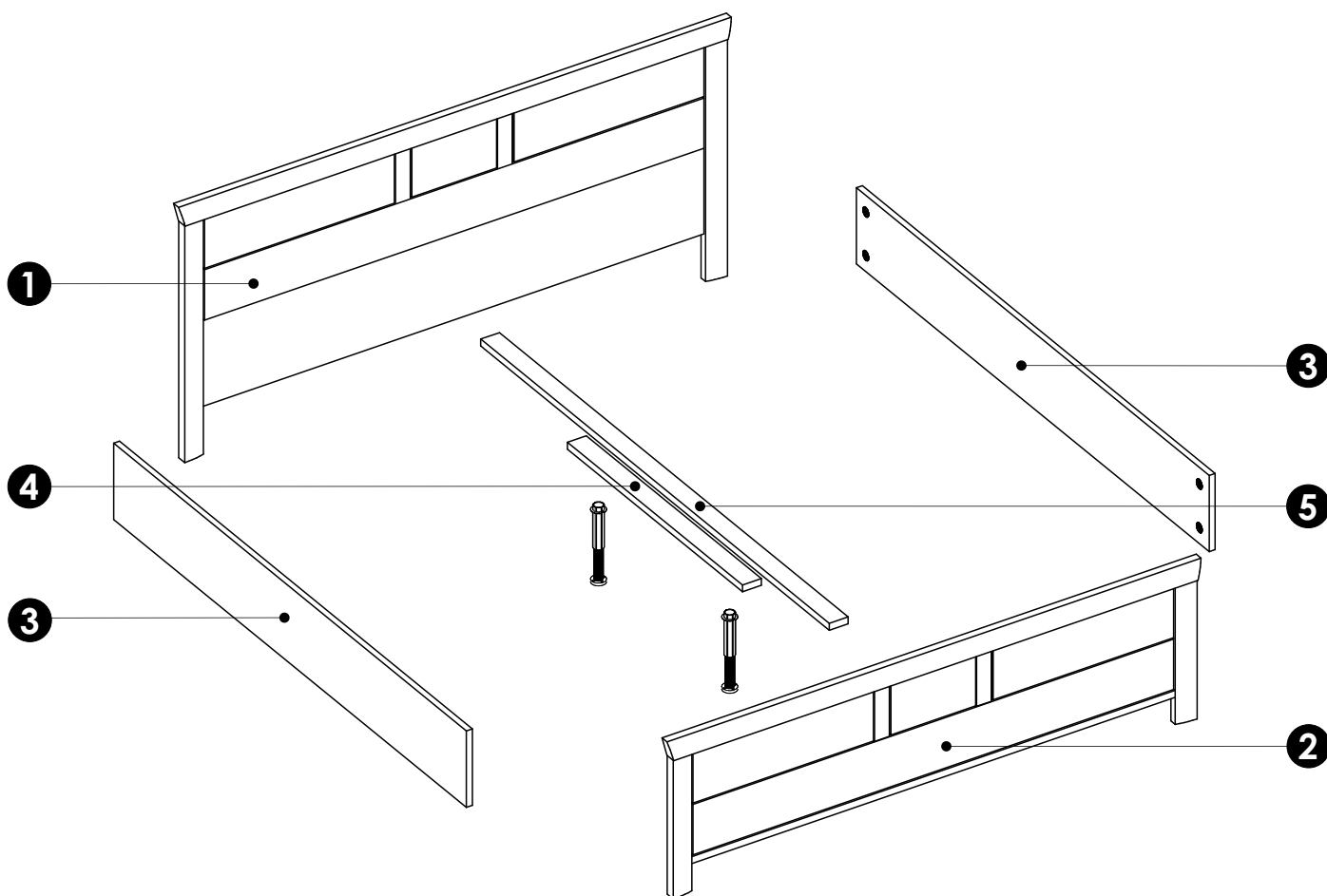
C0  x22	C11  x4	C12  x4
D10 4 x 16 mm  x48	D15 4 x 45 mm  x3	D30 EURO 6,3 x 13 mm  x32
H5 4 x 12 mm  x2	P3  x8	P8  x4
T9  x2	U2  x4	



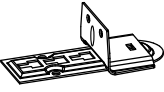

CAMRON - BETT

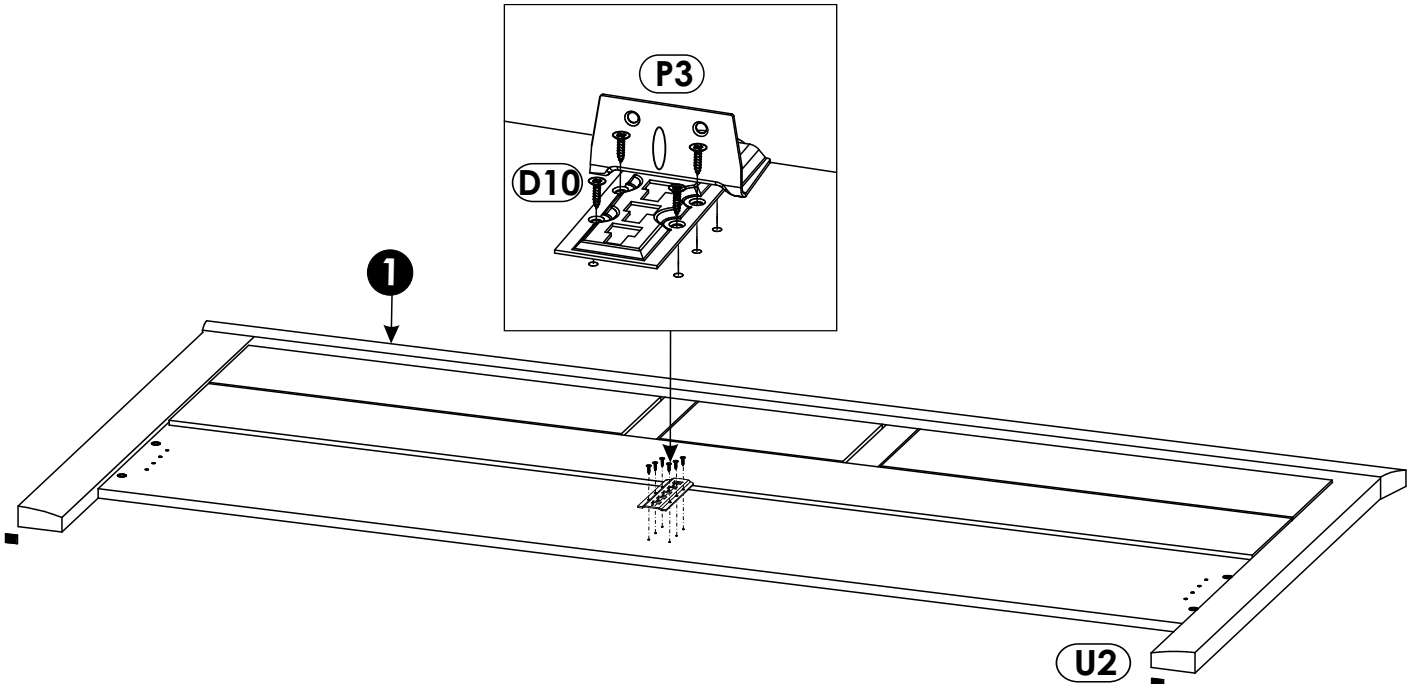


1	940	2052	41	x1	1/4
2	580	1982	41	x1	2/4
3	2016	388	22	x2	3/4
4	1000	70	25	x1	3/4
5	1992	70	25	x1	3/4
					4/4


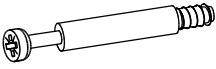



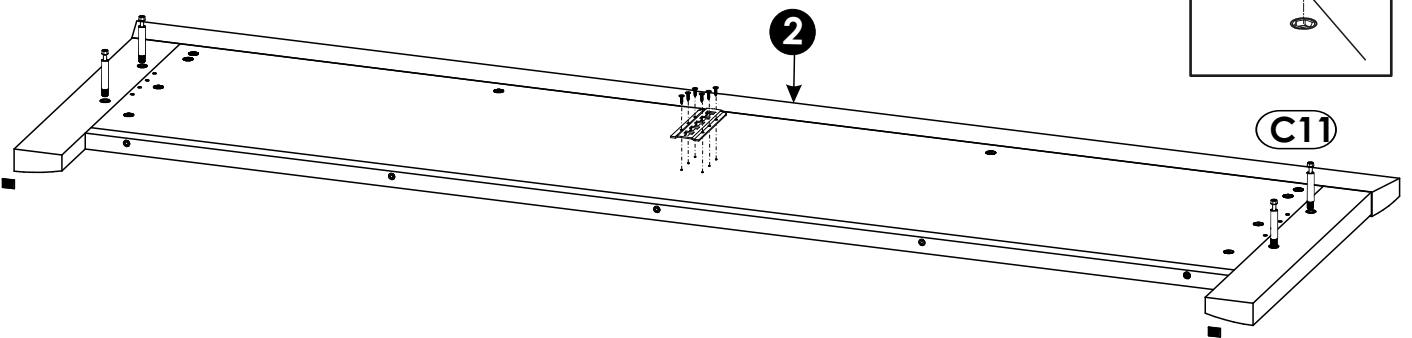
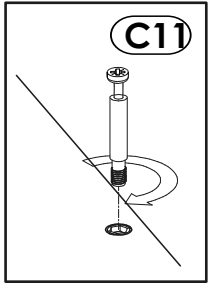
1 ▶

D10	4 x 16 mm	x6	P3		x1	U2		x2
------------	-----------	-----------	-----------	---	-----------	-----------	---	-----------

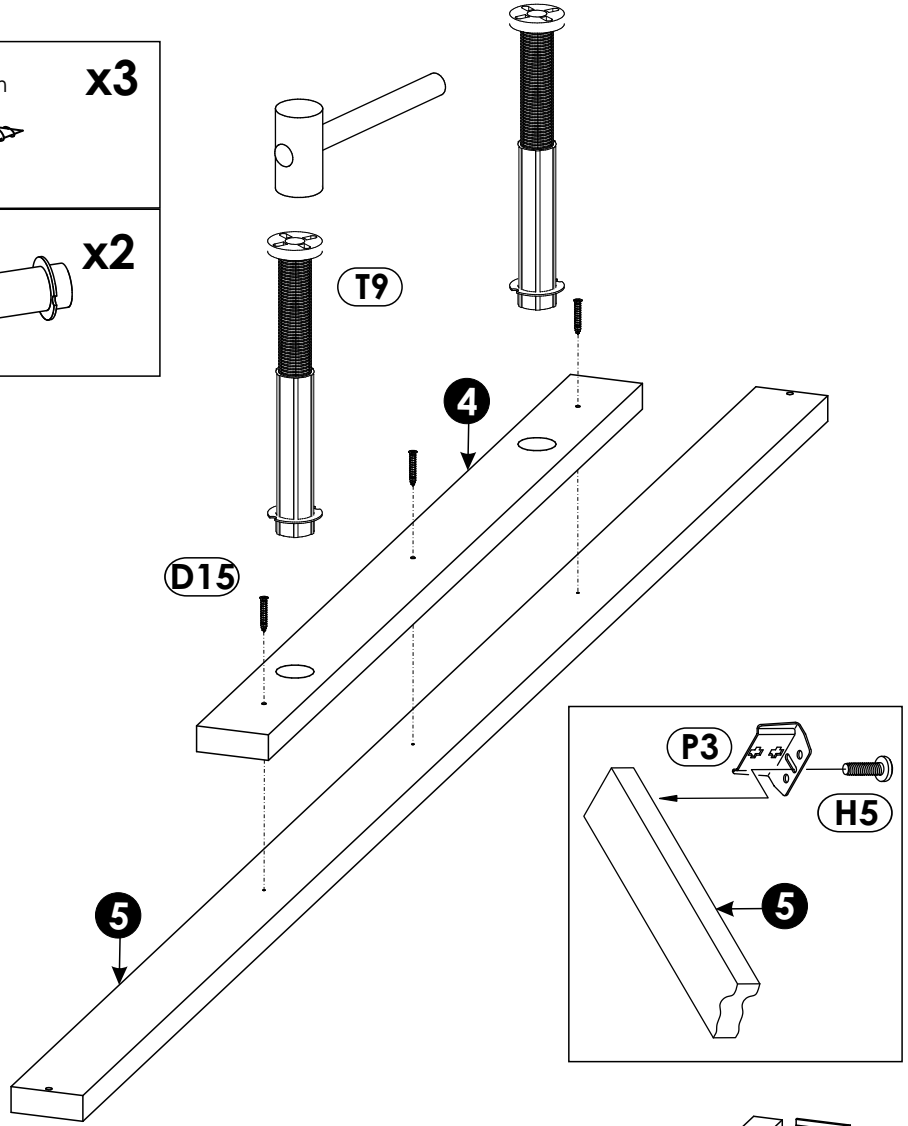
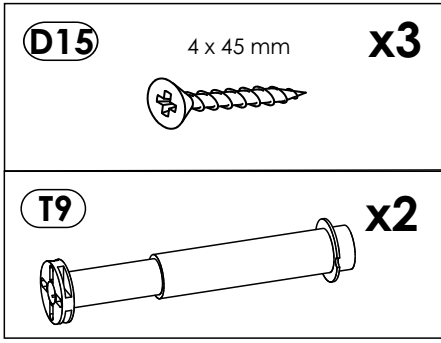


2 ▶

D10	4 x 16 mm	x6	P3		x1
C11		x4	U2		x2



4▶



5▶

