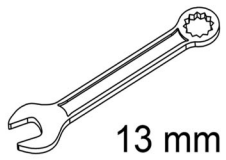
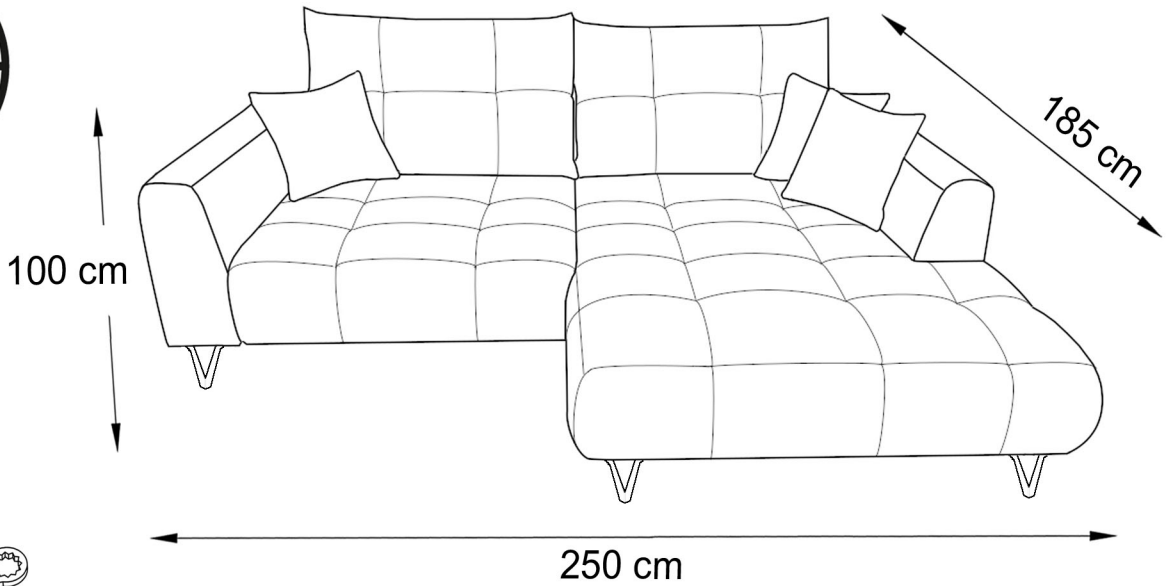




Modell: **SWING**

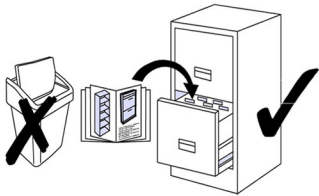
Art. Nr.: **23 000 237**



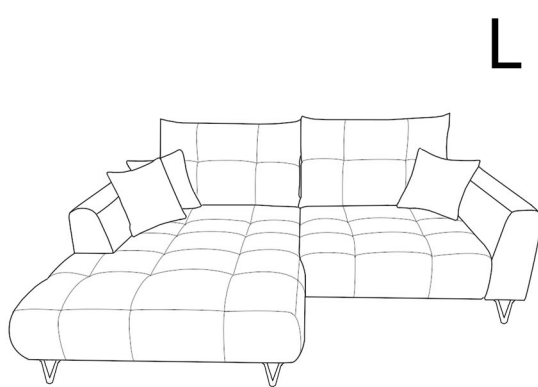
13 mm



PH3



!
+/- 2cm



L

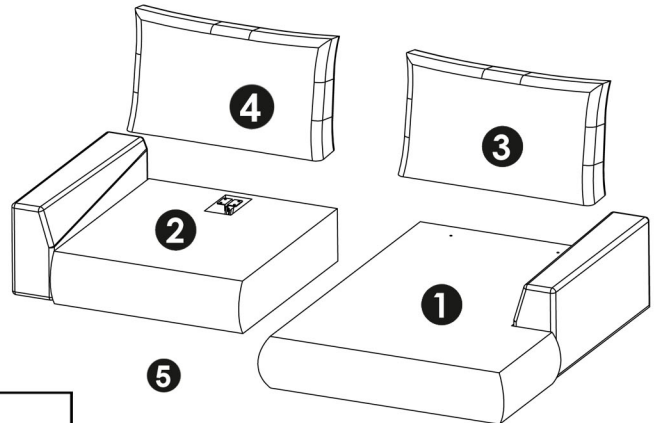


R

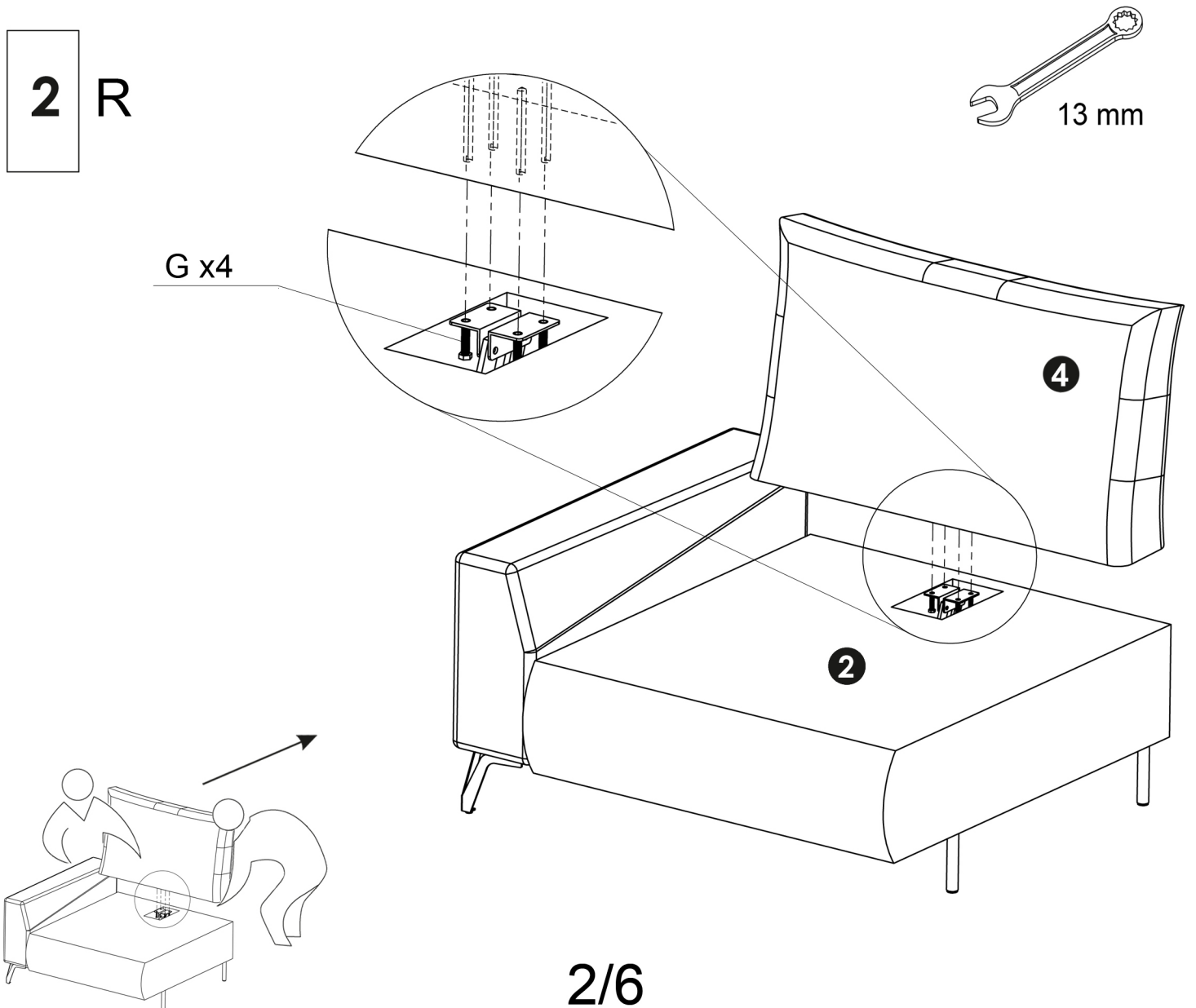
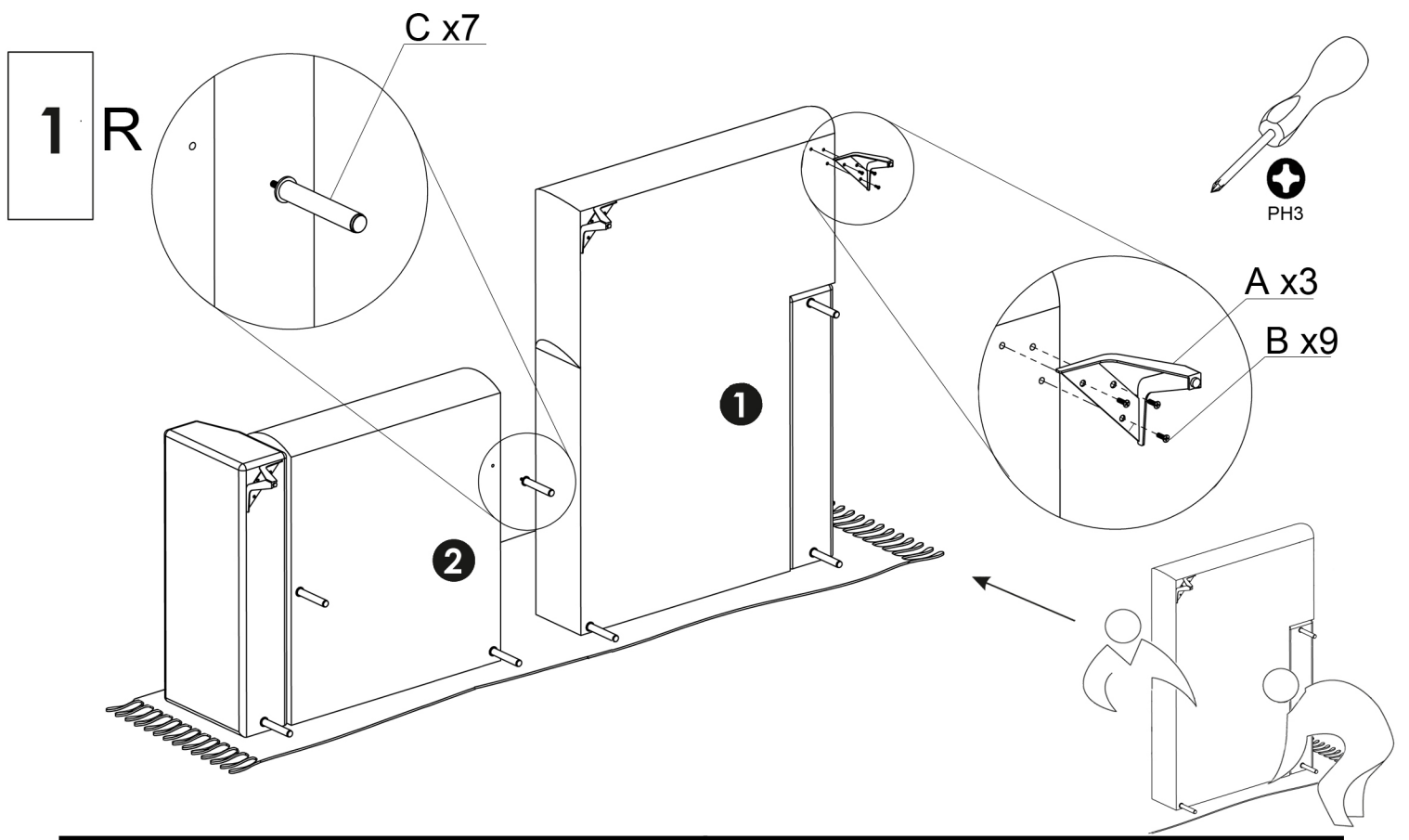
4-5/6

2-3/6

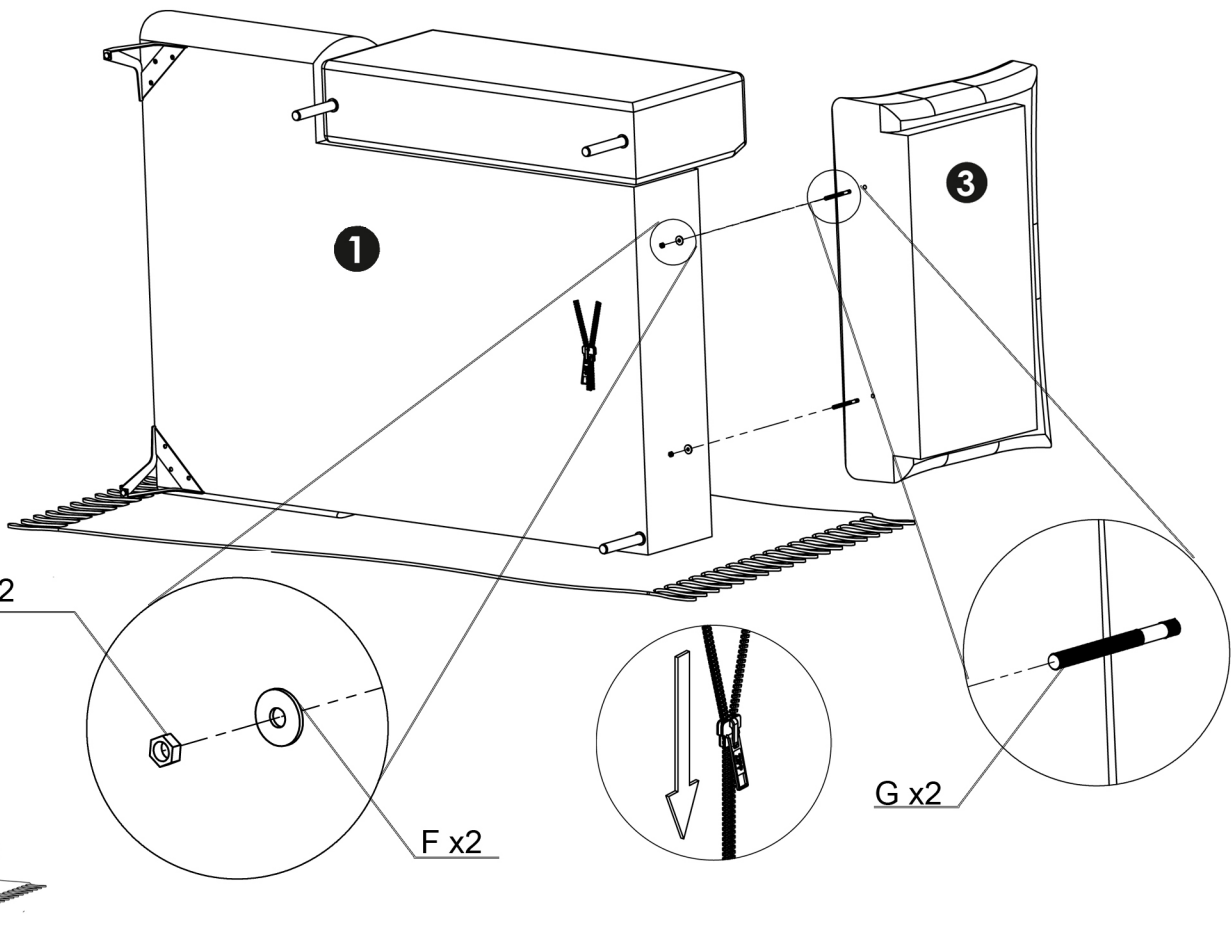
1	130	176	54	1x
2	124	111	54	1x
3	97	32	54	1x
4	97	32	54	1x
5	43	20	43	3x



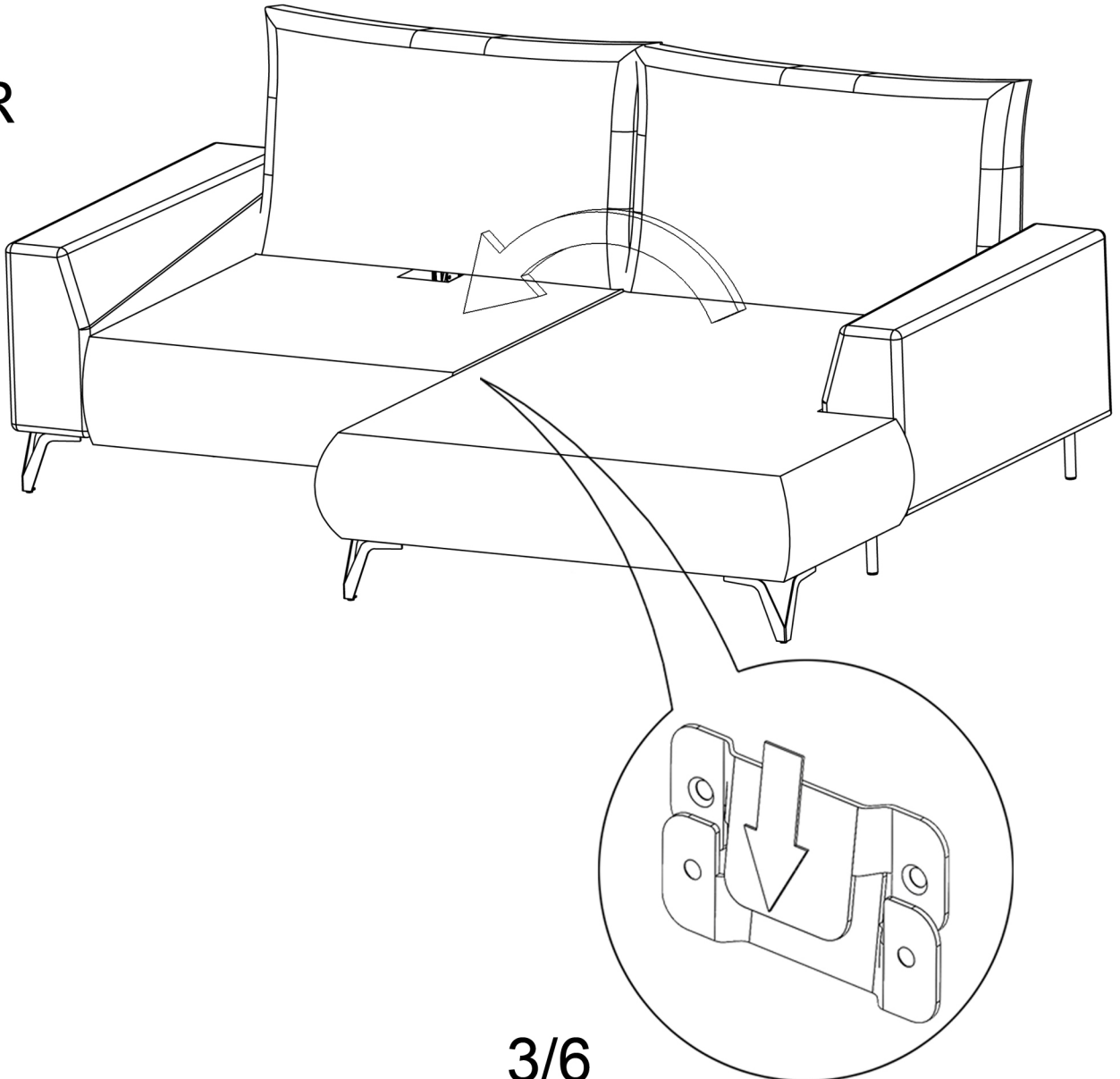
A		B		C	
	H155 SWING x3		WDM 8x30 x9		H155 x7
D		E		F	
	M8x100 x2		M8 x2		M8 x2
		G			
			M8x40 x4		

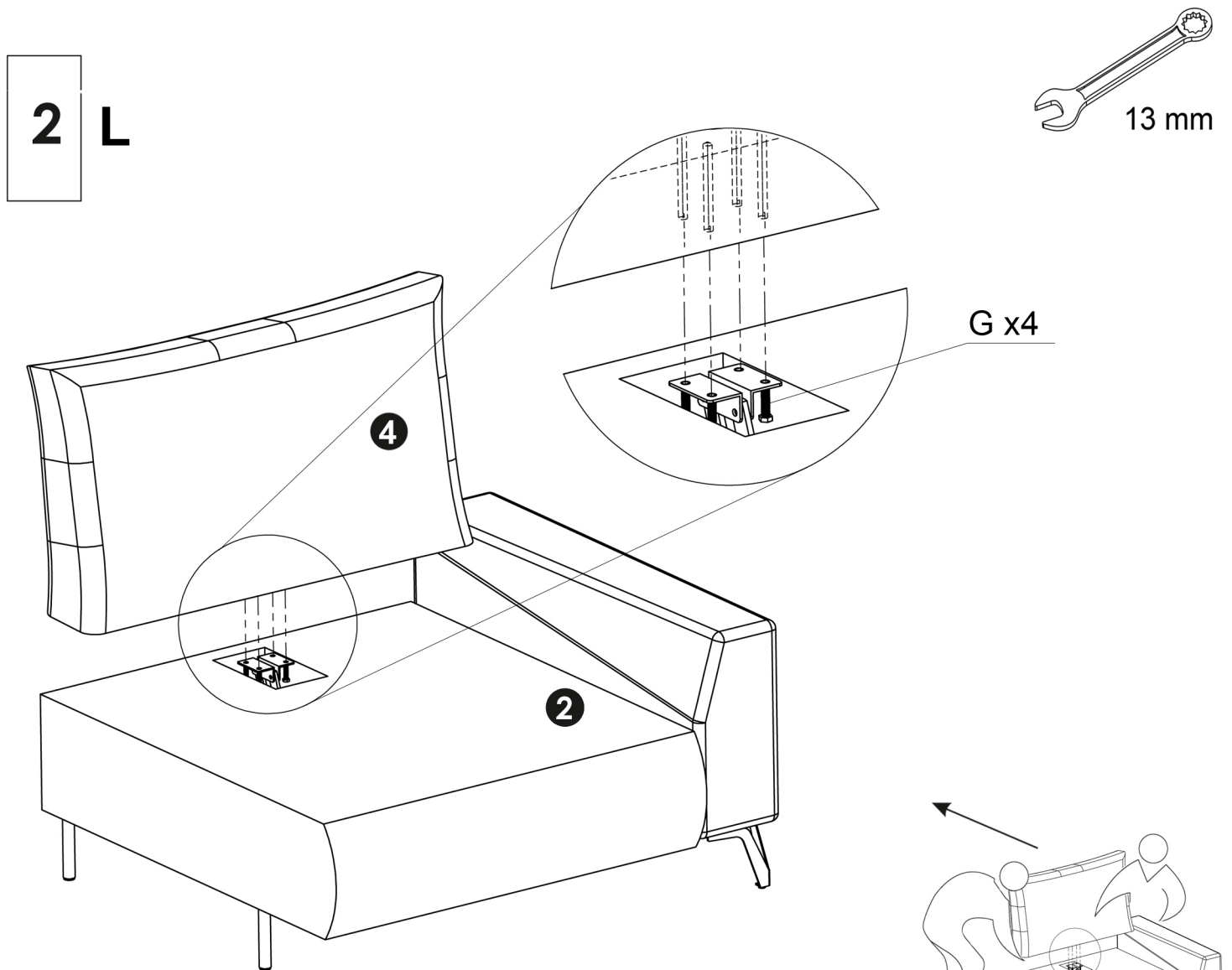
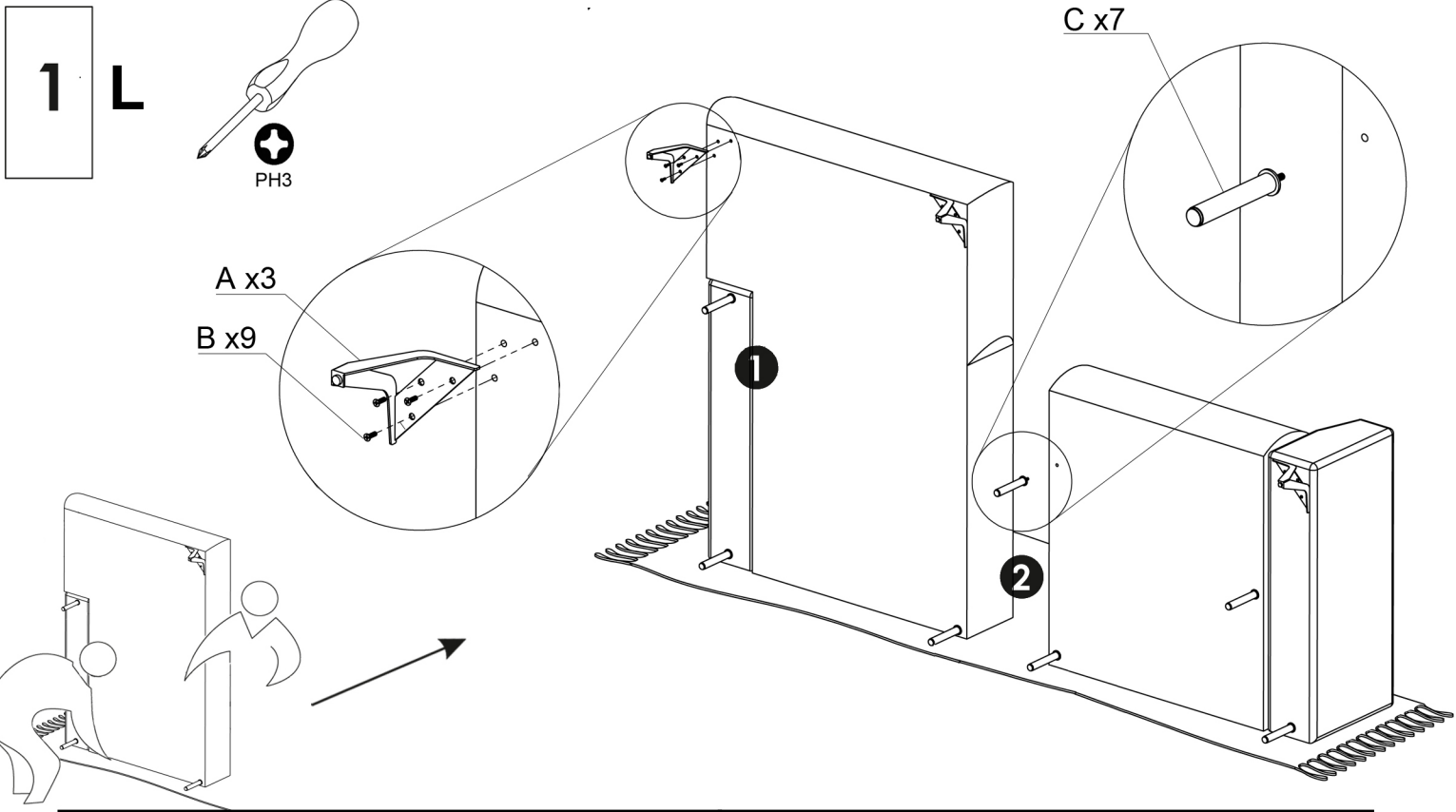


3 R

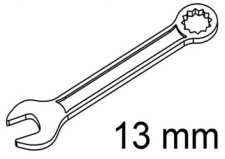


4 R

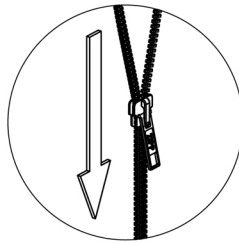
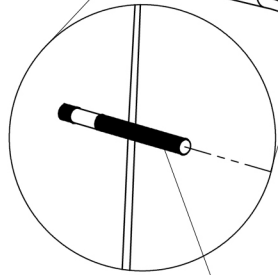




3 L

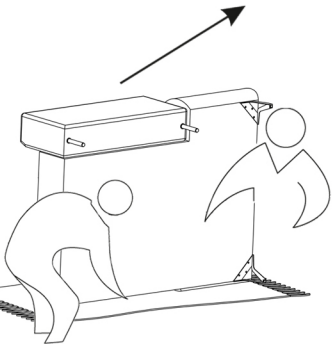


3



F x2

E x2



4 L

