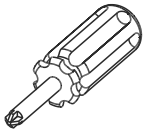
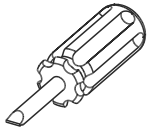
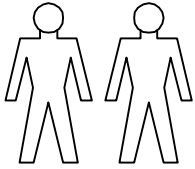
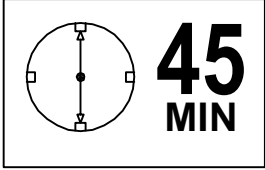
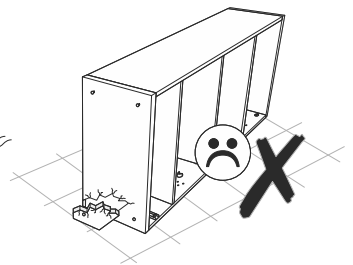
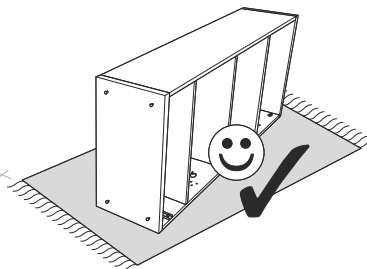
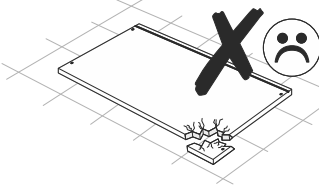
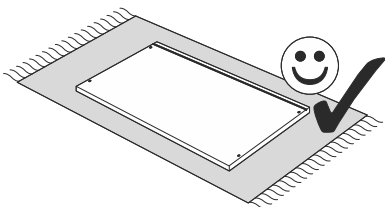
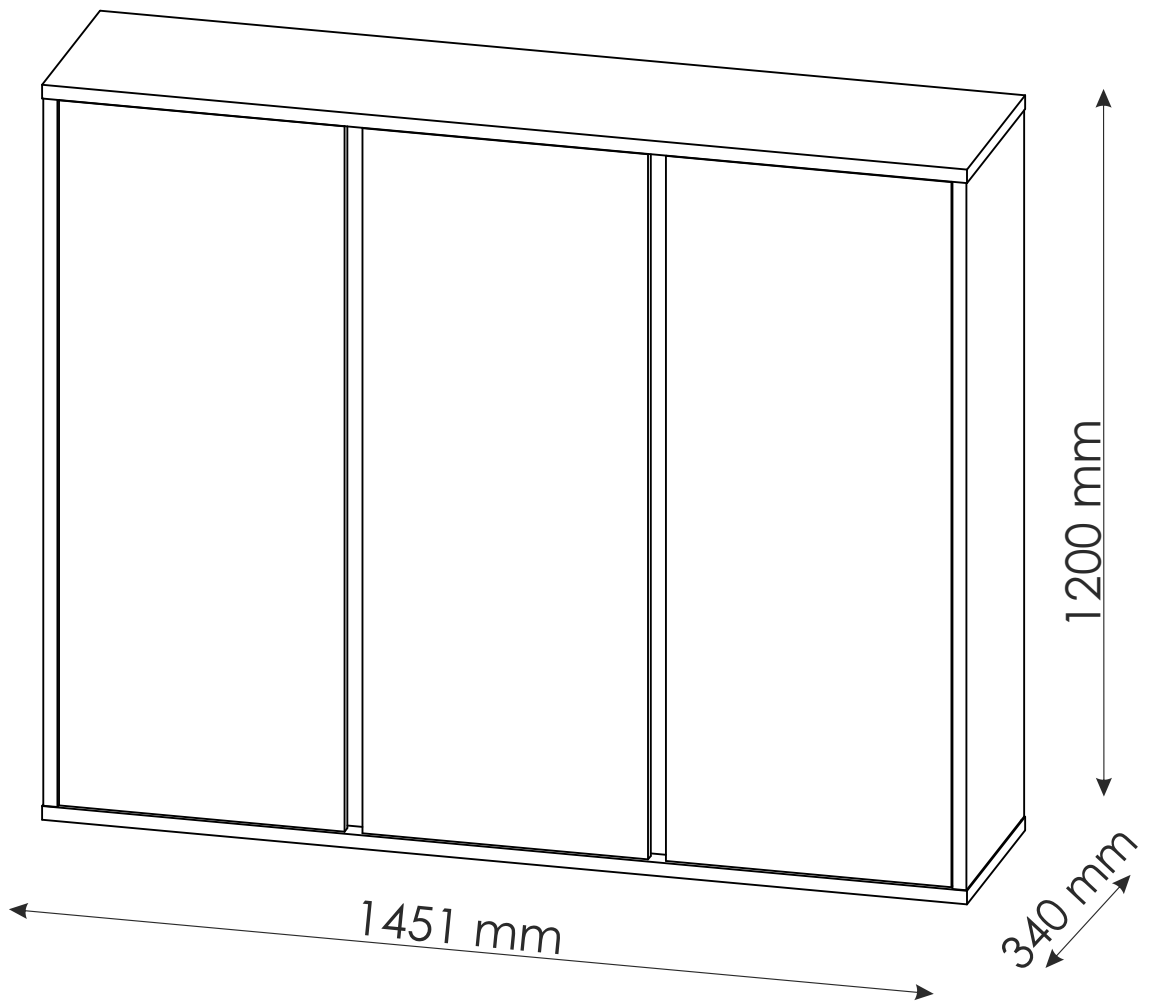


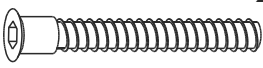
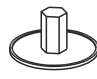





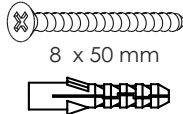

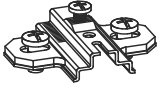
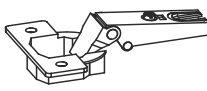

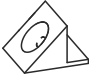
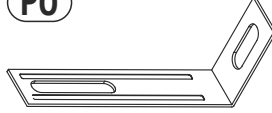
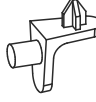
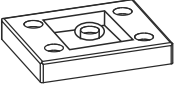

LIV - SCHUHSCHRANK 3T

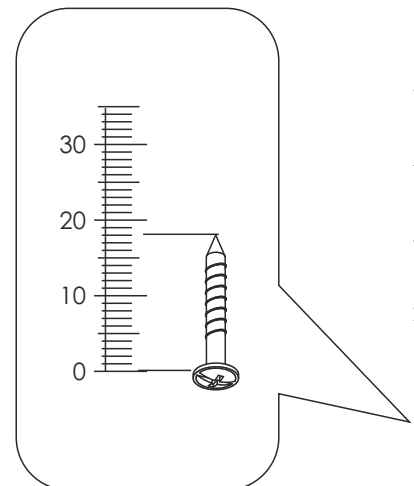
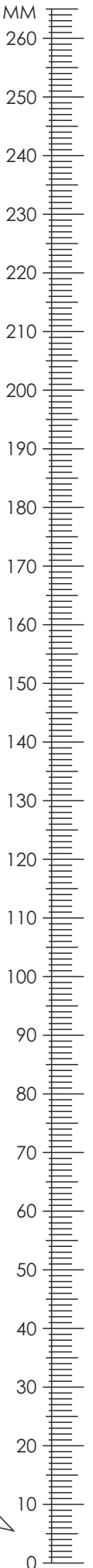


Ø8

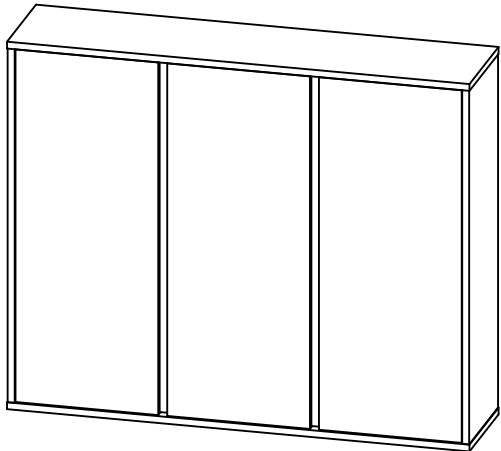



LIV - SCHUHSCHRANK 3T

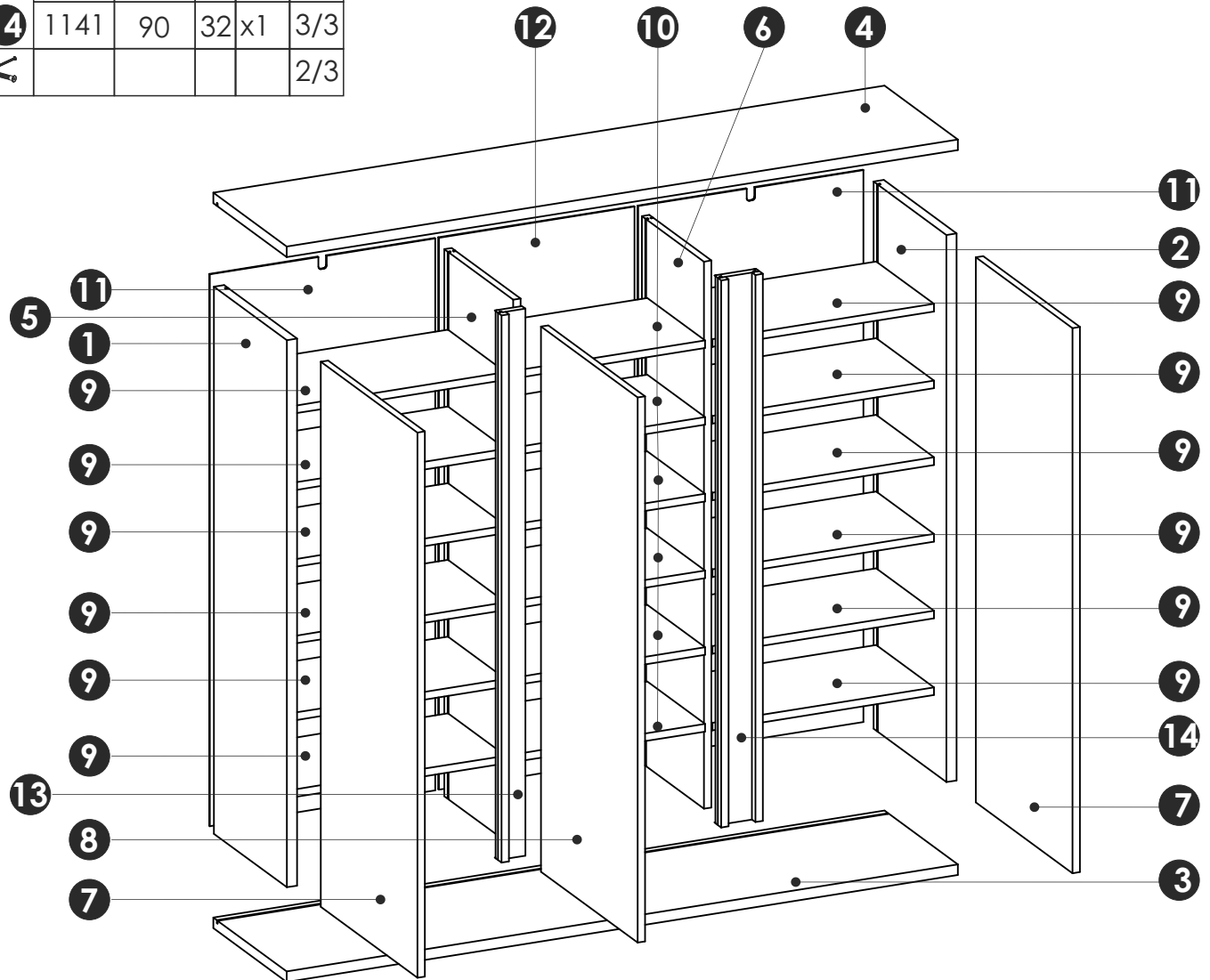
B2 f 7 x 70 mm x8 	C0  x12	C2  x16
D0 3 x 15 mm x36 	D10 4 x 16 mm x18 	D12 4 x 25 mm x32 
D21 5 x 13 mm x2 	E0 5 x 50 mm 8 x 50 mm x2 	J4  x6
J6  x9	J8  x3	K 4mm  x1
M1  x36	P0  x2	Q3  x72
T5  x8	U0  x6	

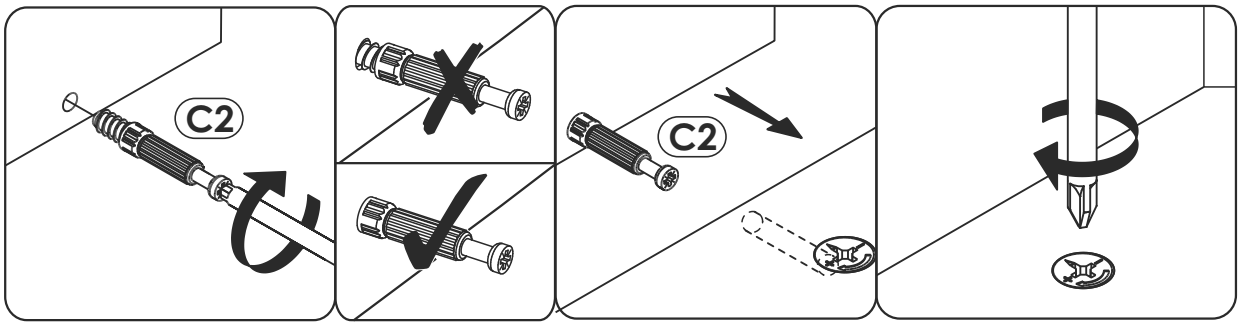


LIV - SCHUHSCHRANK 3T

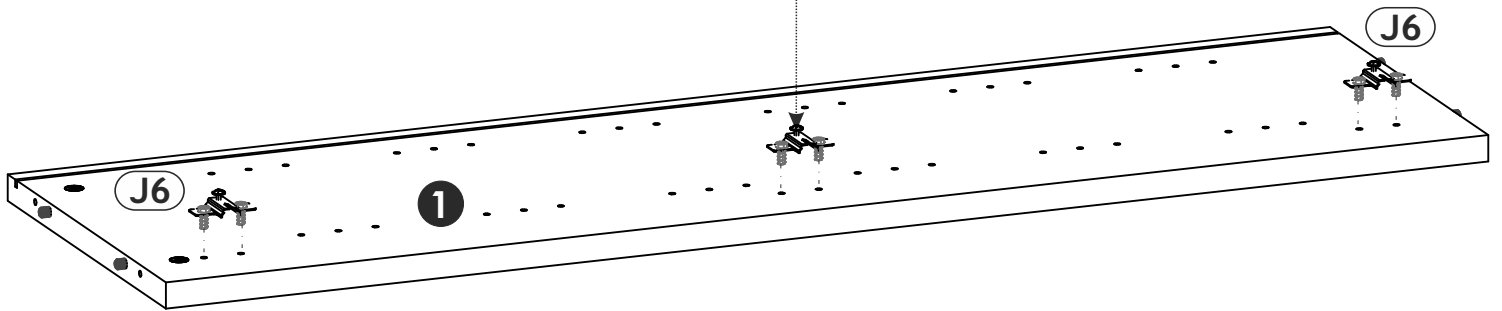
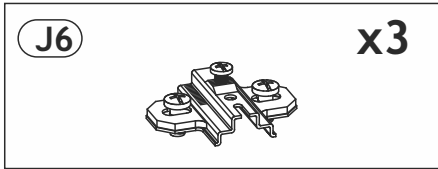


1	1141	338	22	x1	2/3
2	1141	338	22	x1	2/3
3	1451	340	22	x1	2/3
4	1451	340	22	x1	2/3
5	1141	319	16	x1	3/3
6	1141	287	16	x1	3/3
7	1137	448	16	x2	1/3
8	1137	448	16	x1	1/3
9	478	267	16	x12	3/3
10	415	267	16	x6	1/3
11	1151	487	3	x2	1/3
12	1151	423	3	x1	1/3
13	1141	59	32	x1	3/3
14	1141	90	32	x1	3/3
					2/3

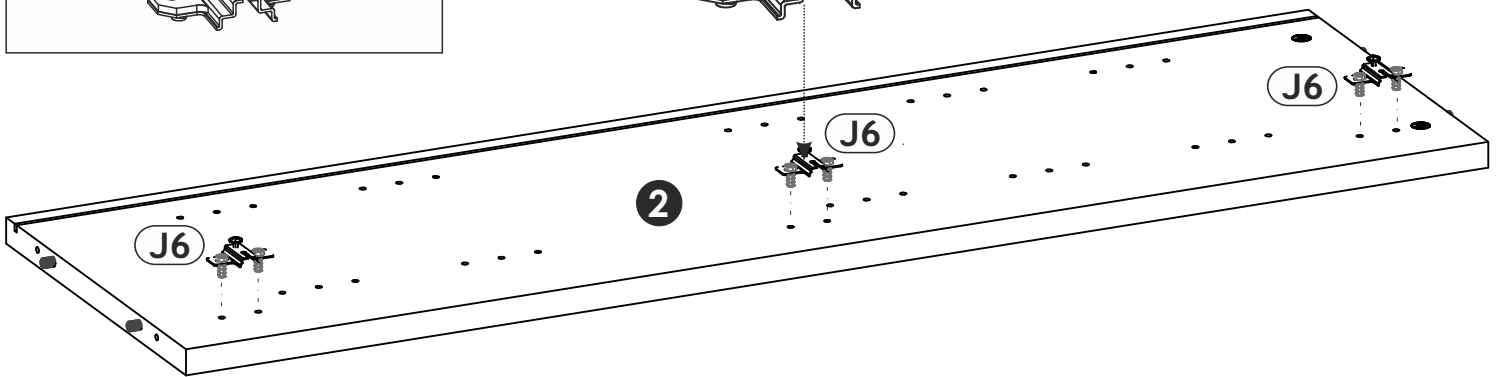
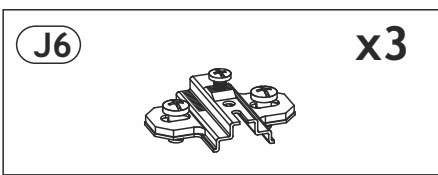




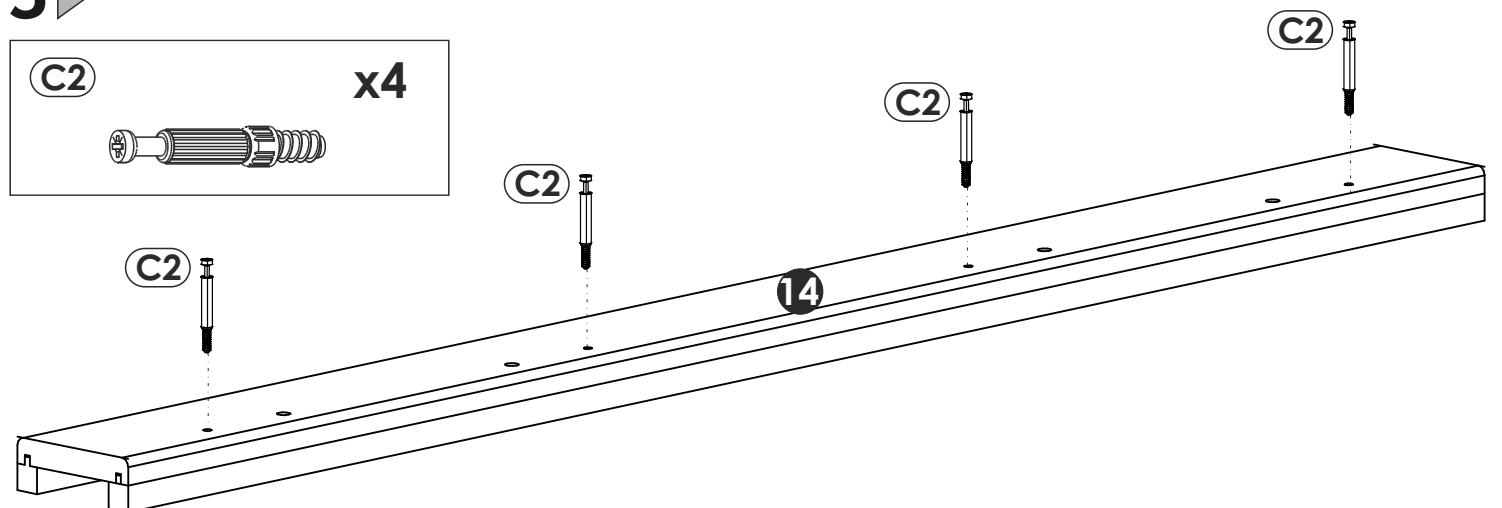
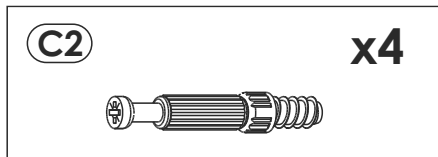
1 ▶



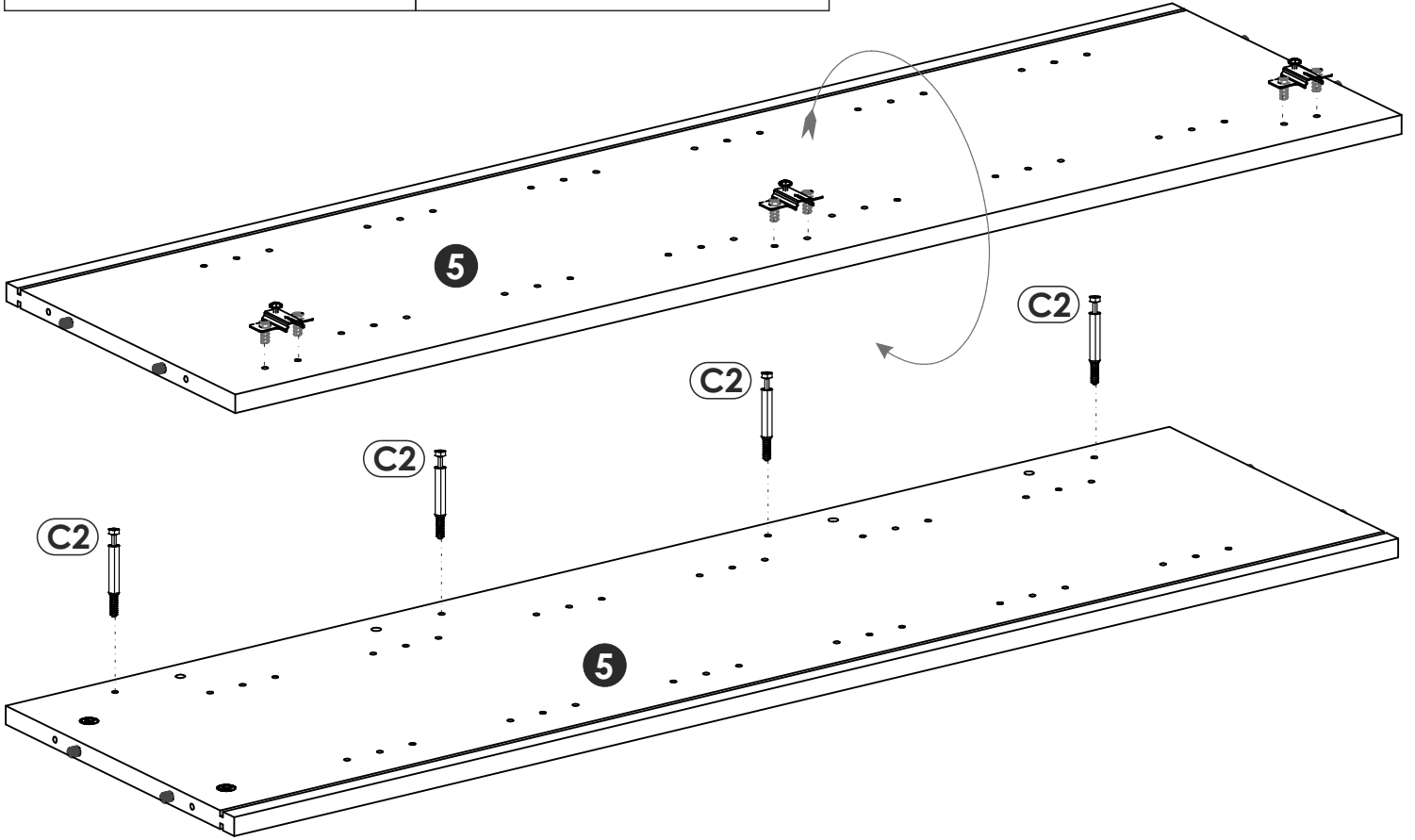
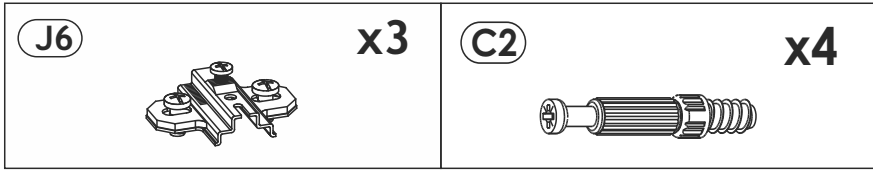
2 ▶



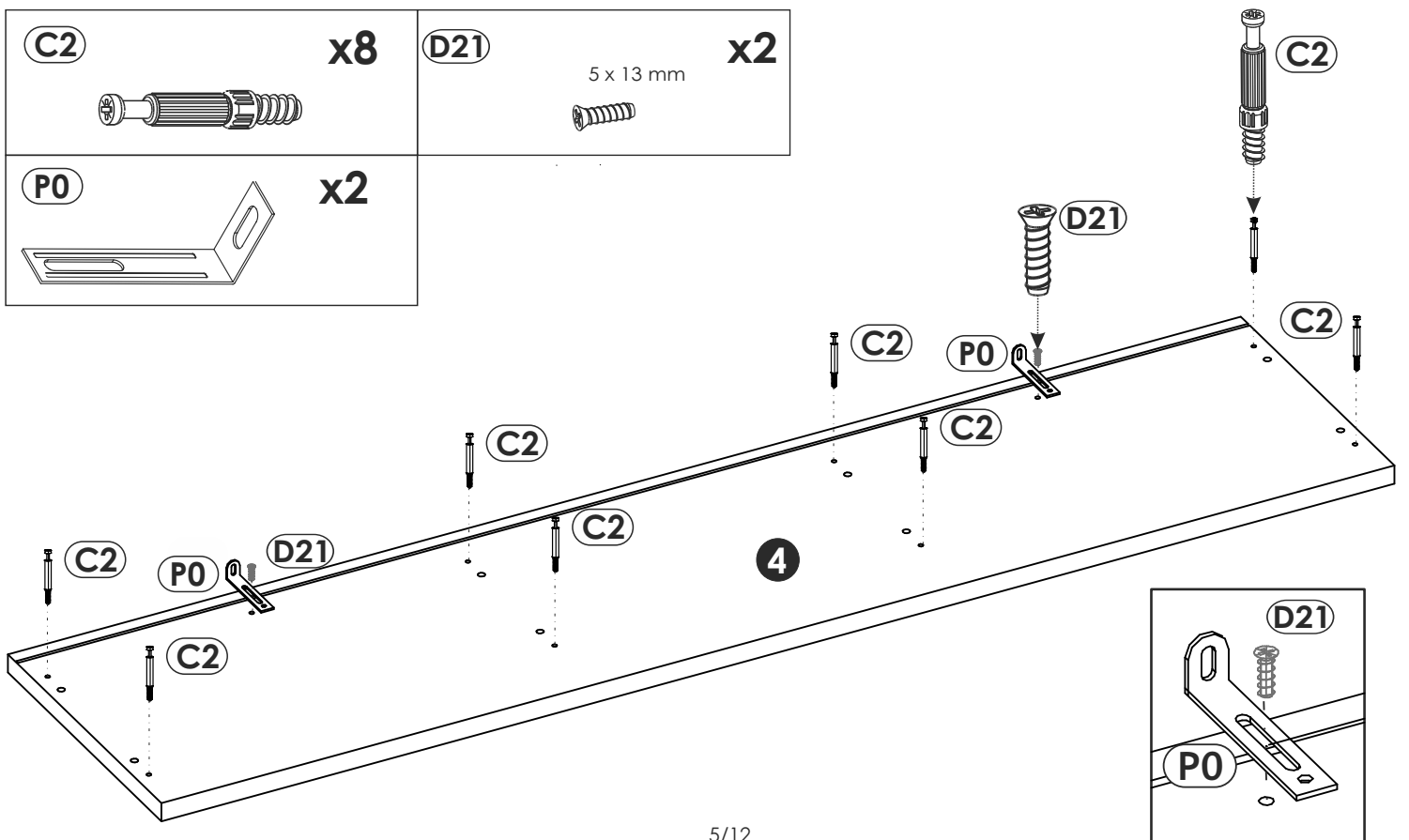
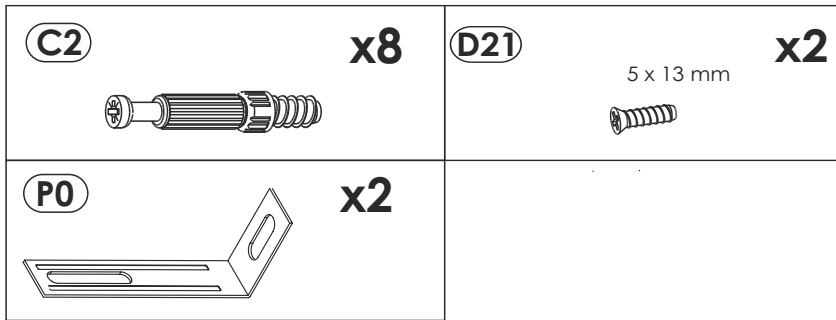
3 ▶



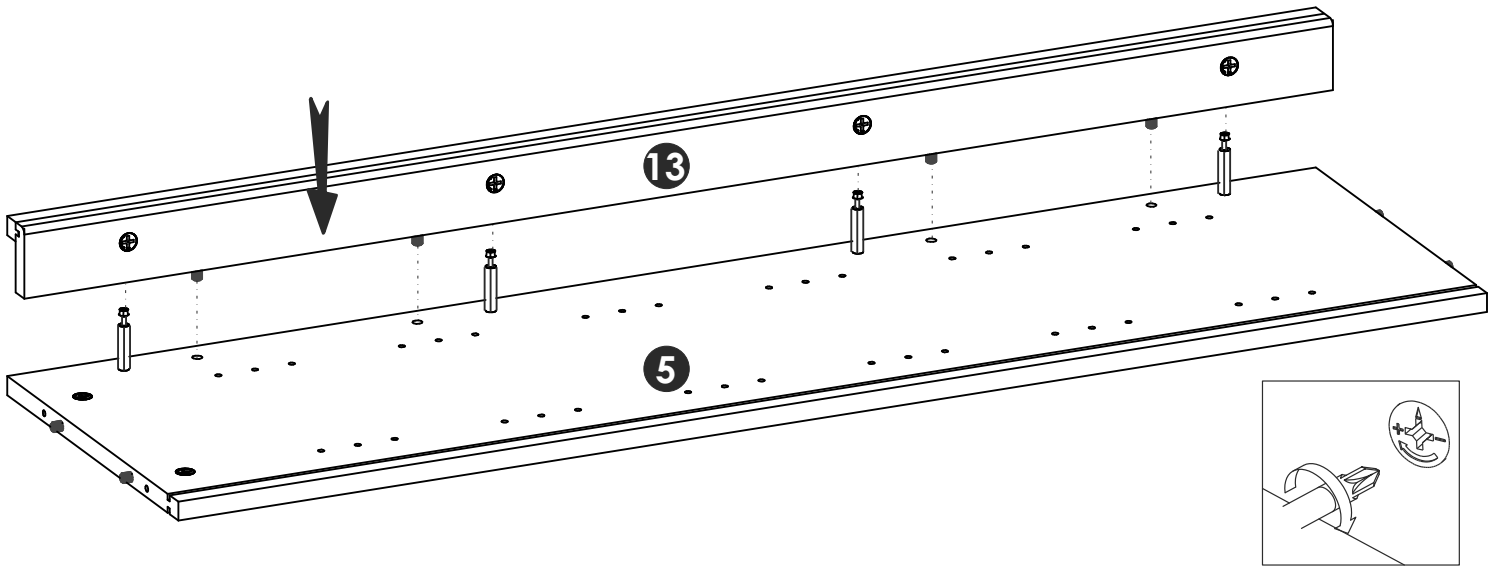
4 ▶



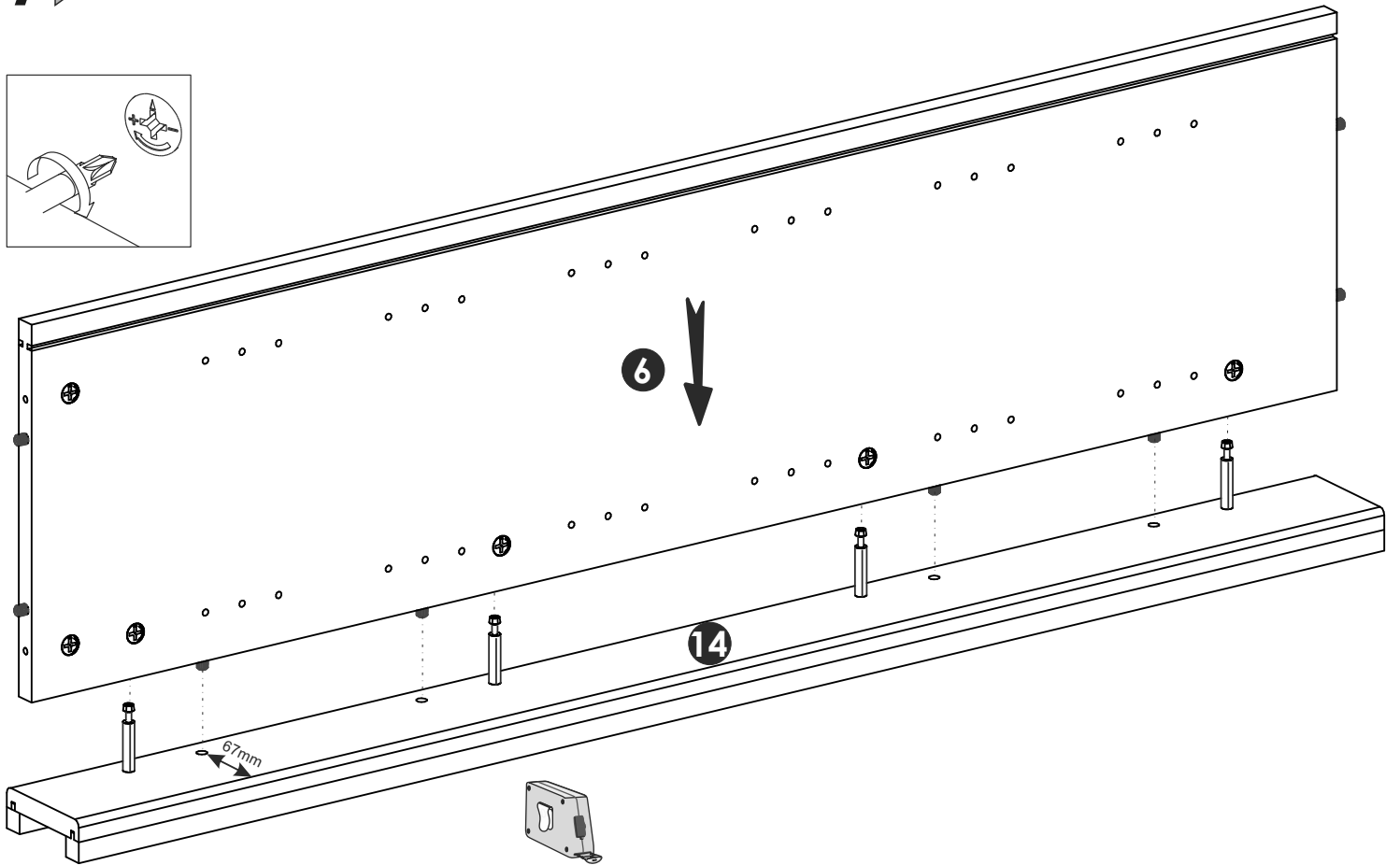
5 ▶



6 ▶

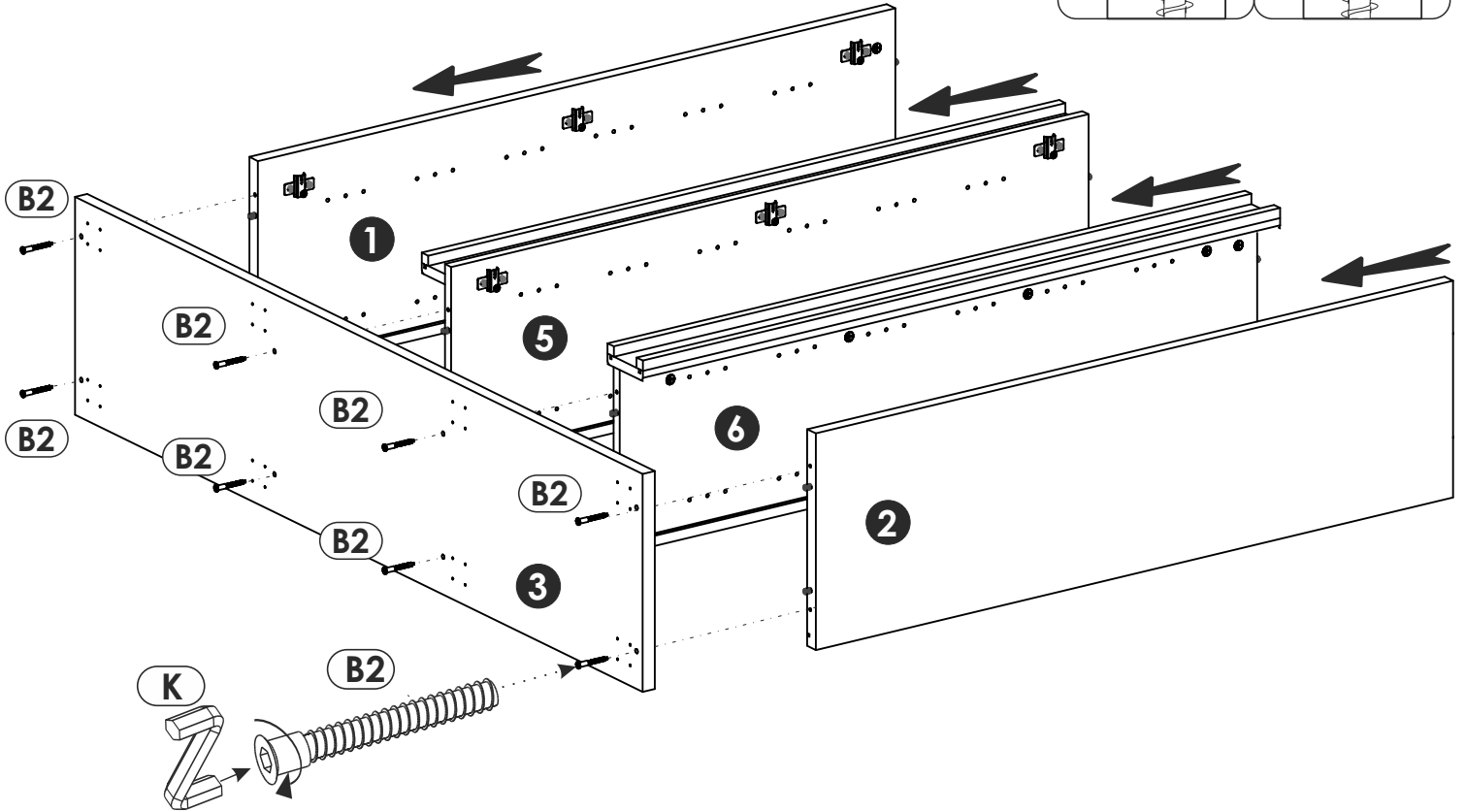
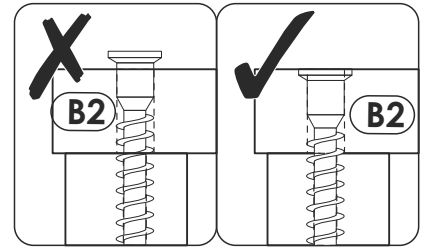


7 ▶



8 ▶

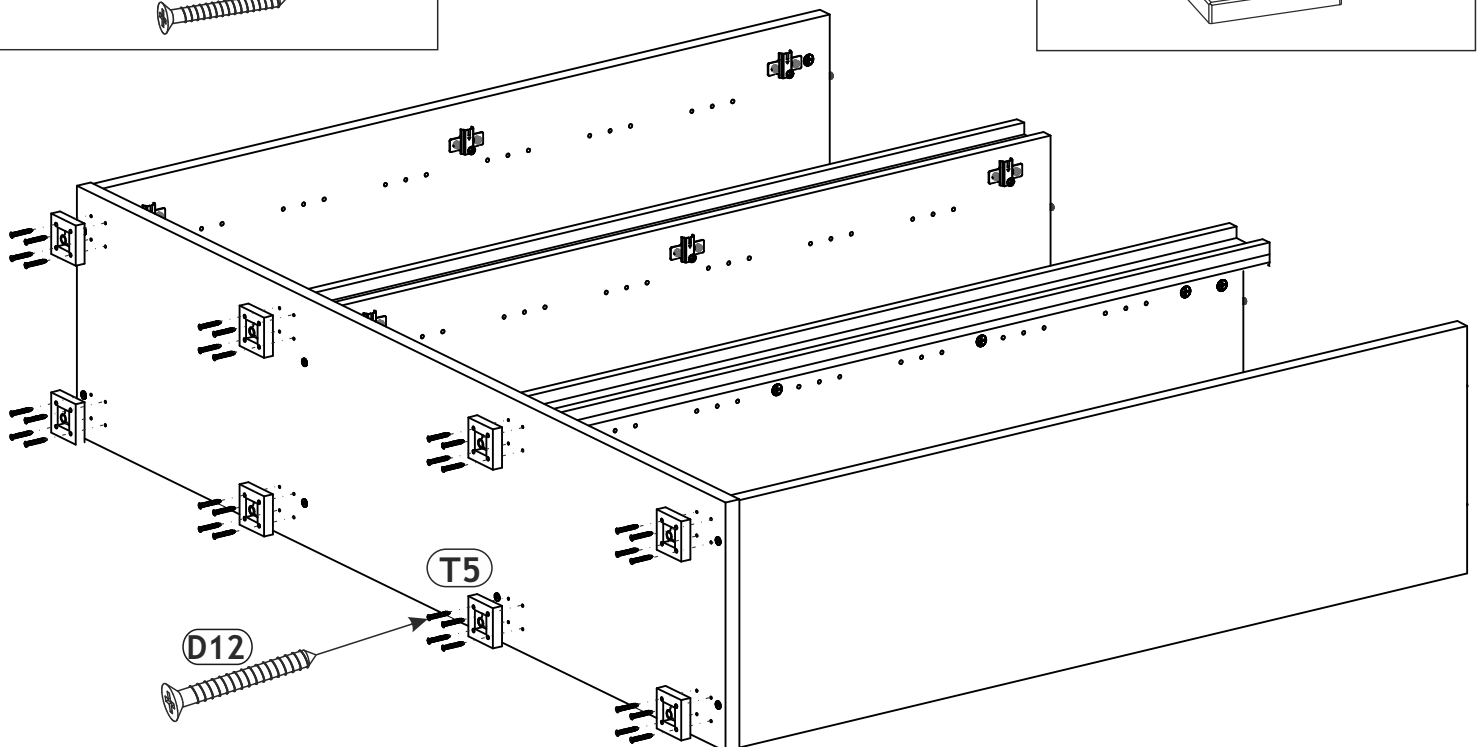
B2	f 7 x 70 mm	x8	K	4mm	x1
-----------	-------------	-----------	----------	-----	-----------



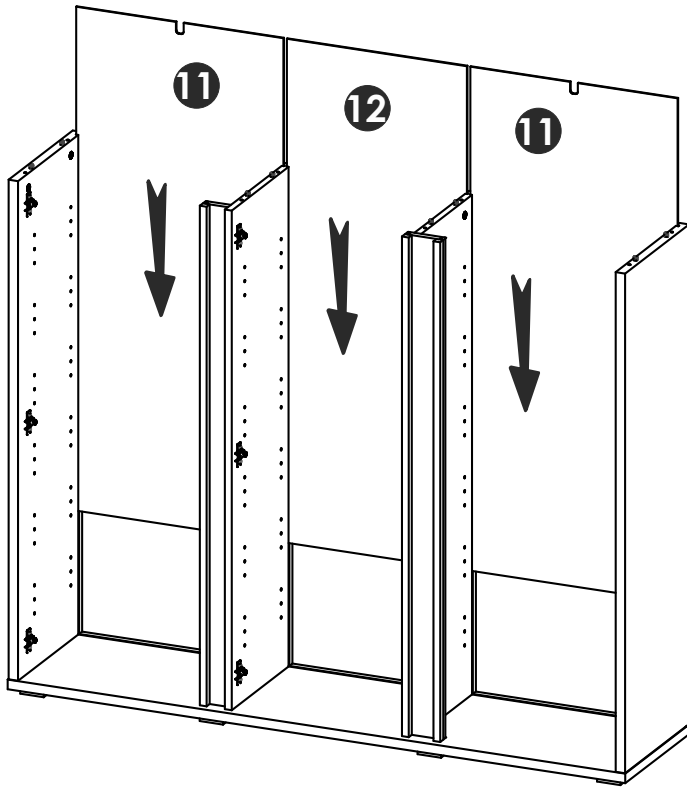
9 ▶

D12	4 x 25 mm	x32
------------	-----------	------------

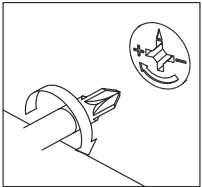
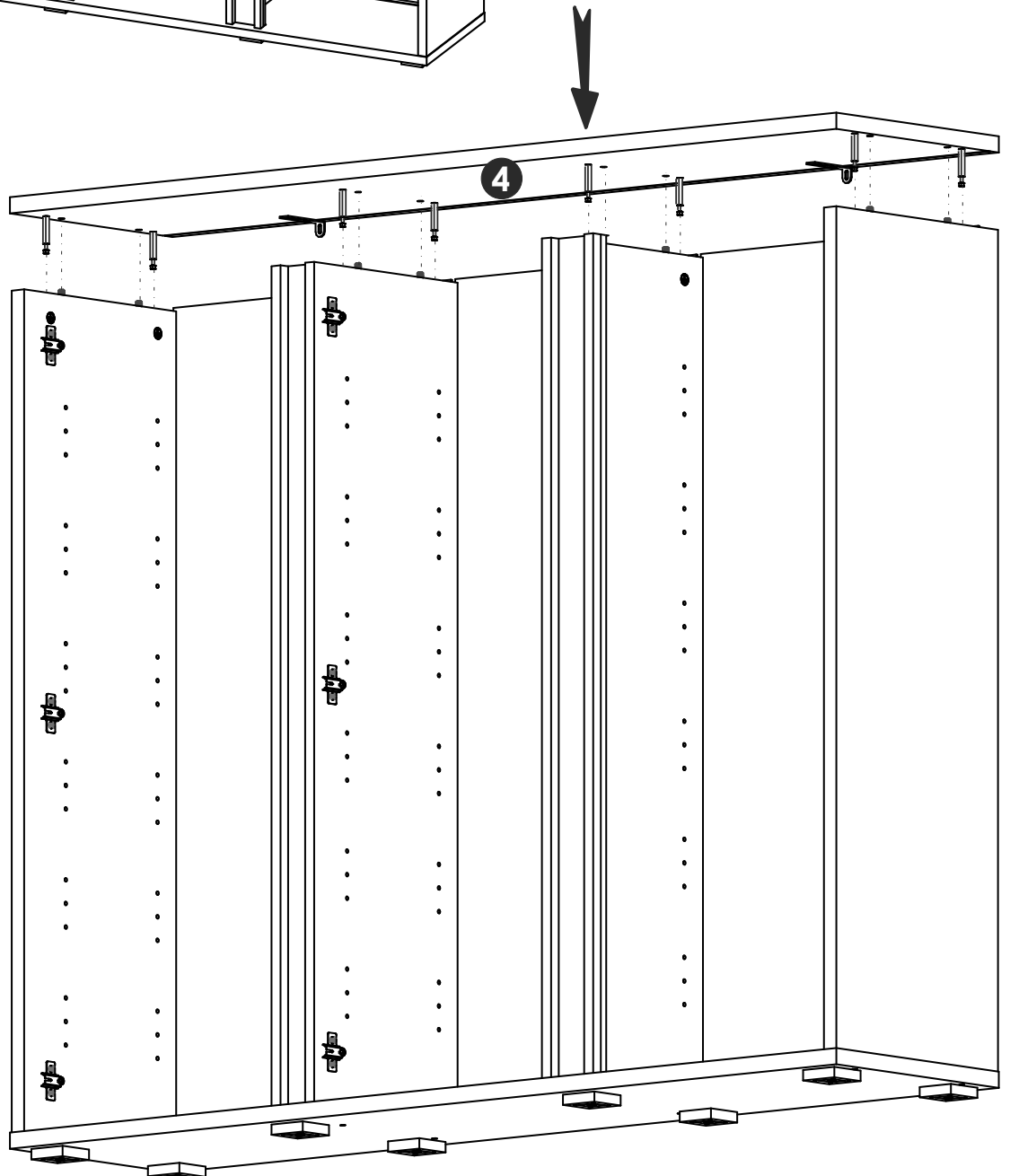
T5	x8
-----------	-----------




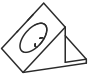
10 ▶

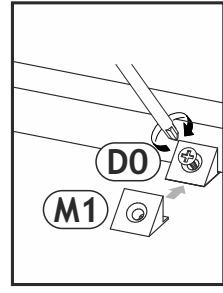
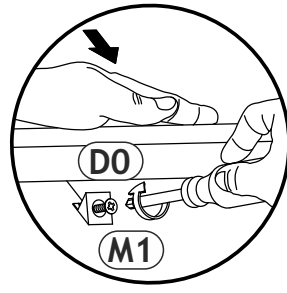
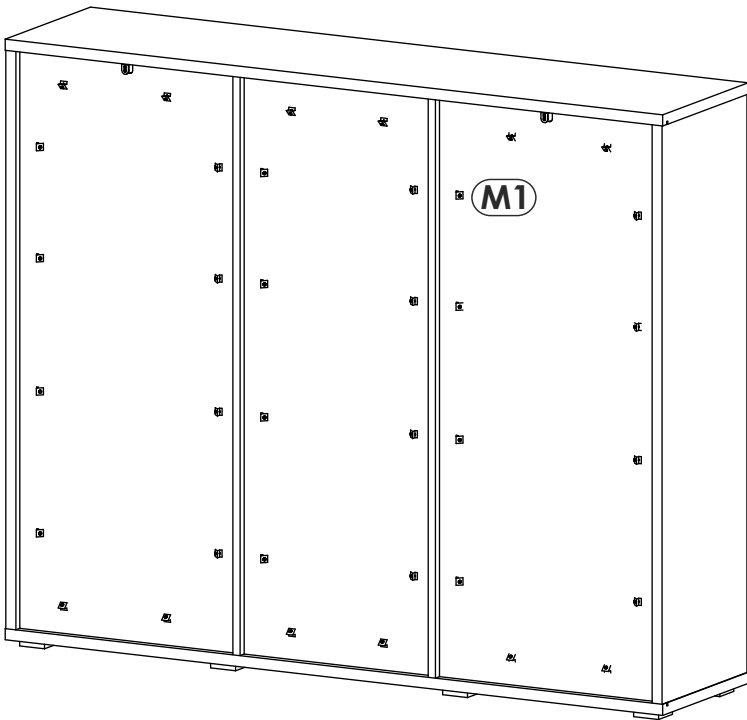
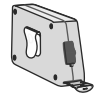




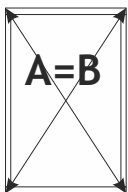


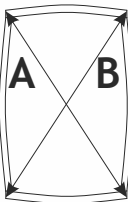



11 ▶



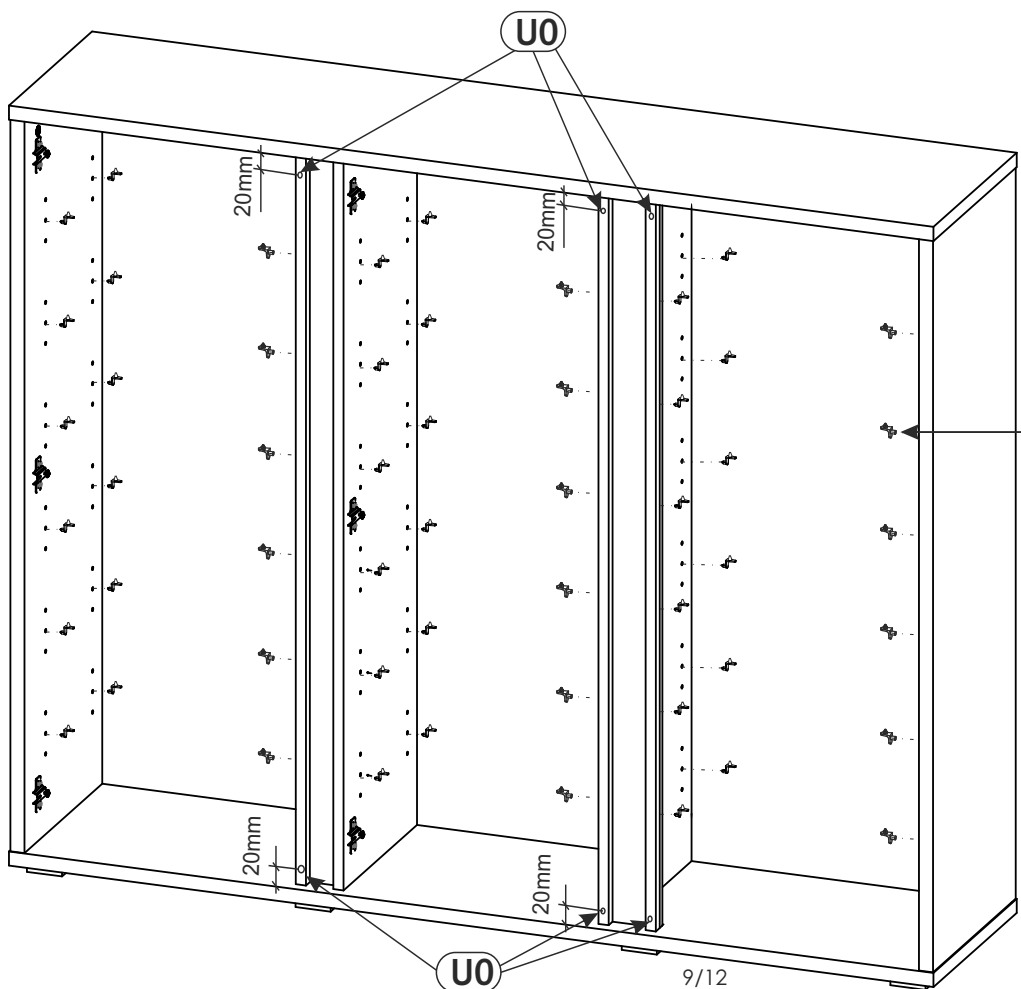
12



(D0)	3 x 15 mm	x36	(M1)	x36
				

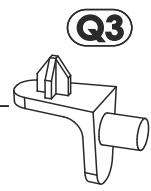


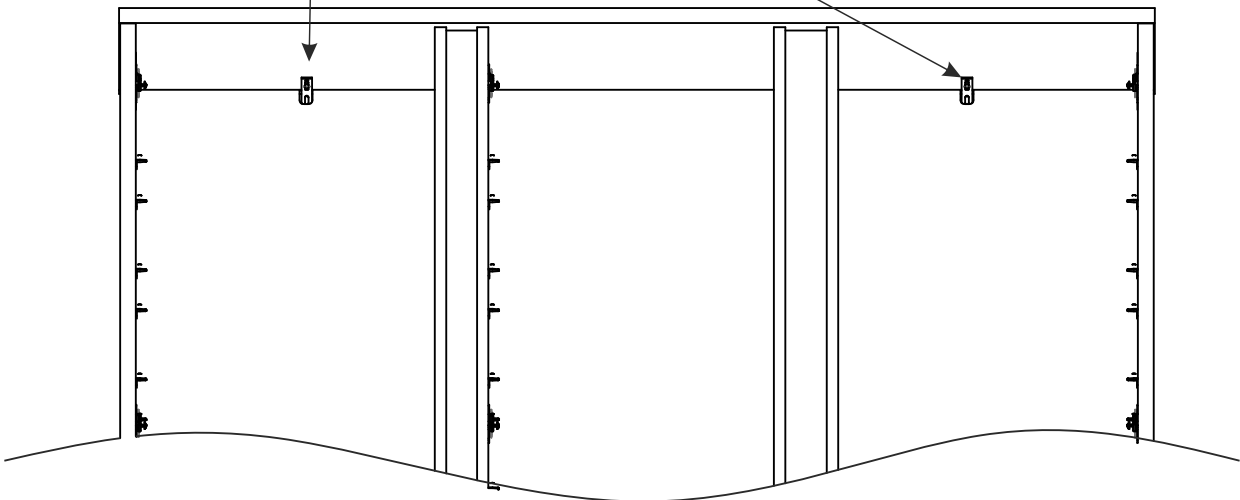
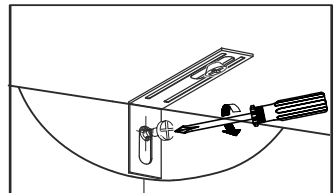
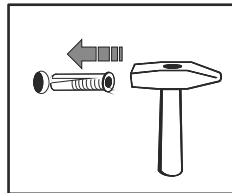
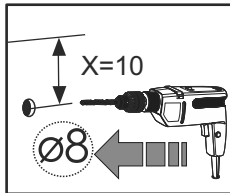
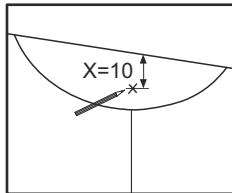
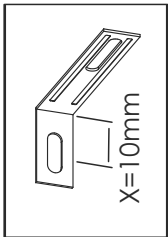
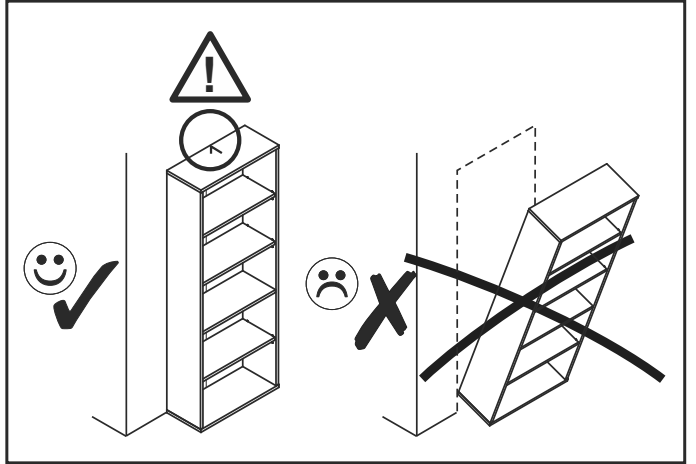
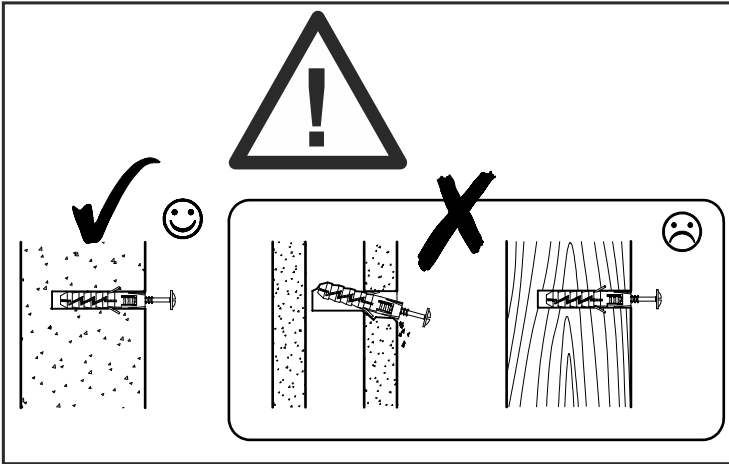
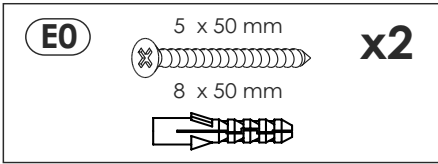
13



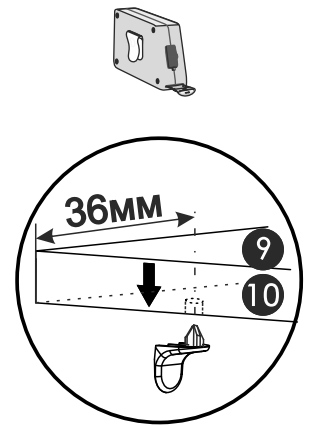
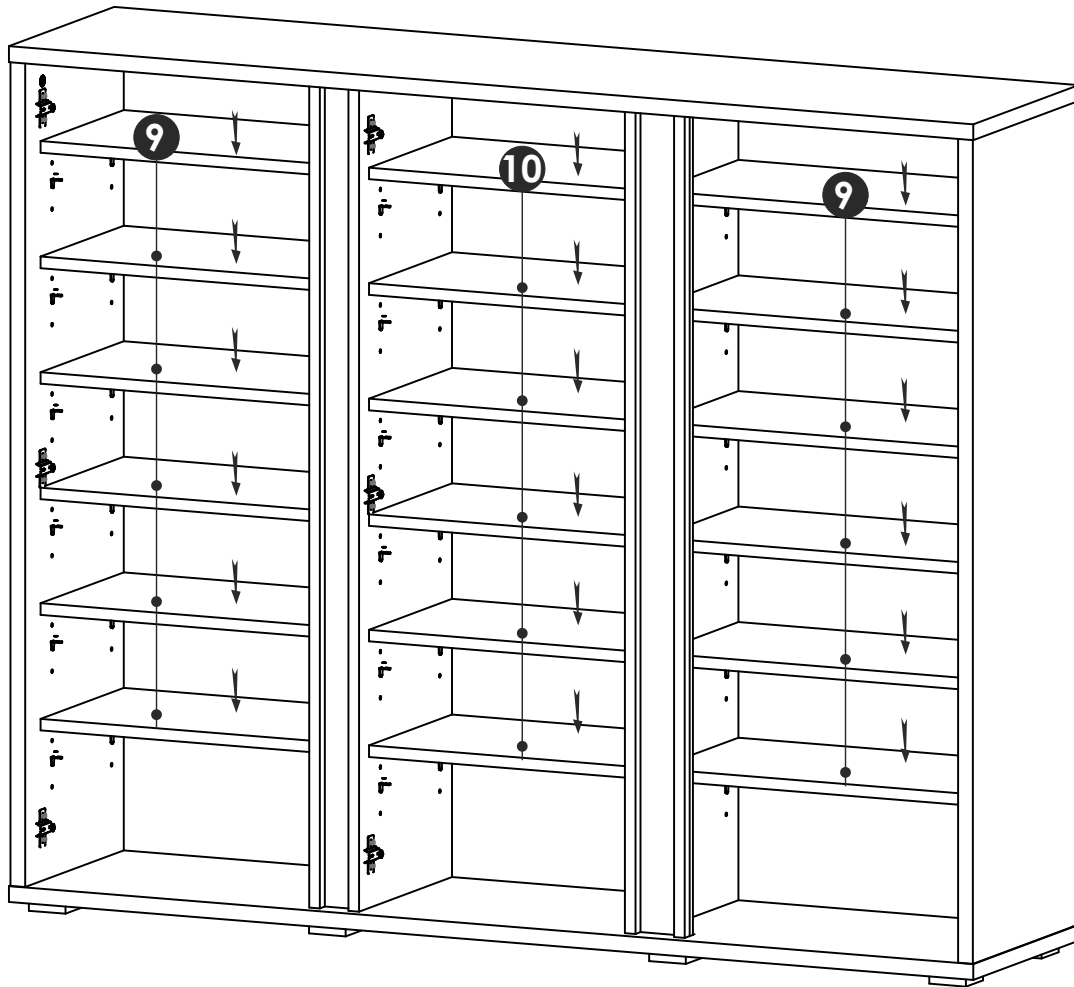
(Q3)		x72
(U0)		x6



14

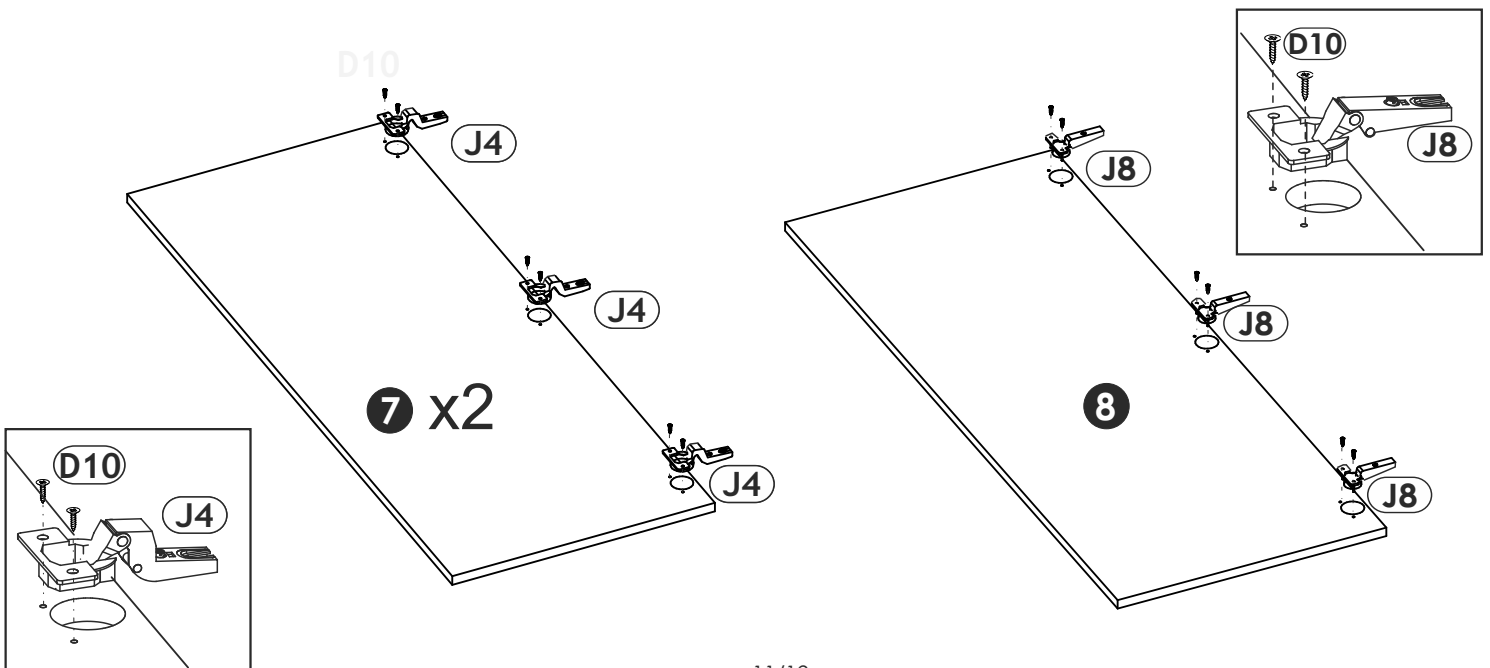


15 ▶

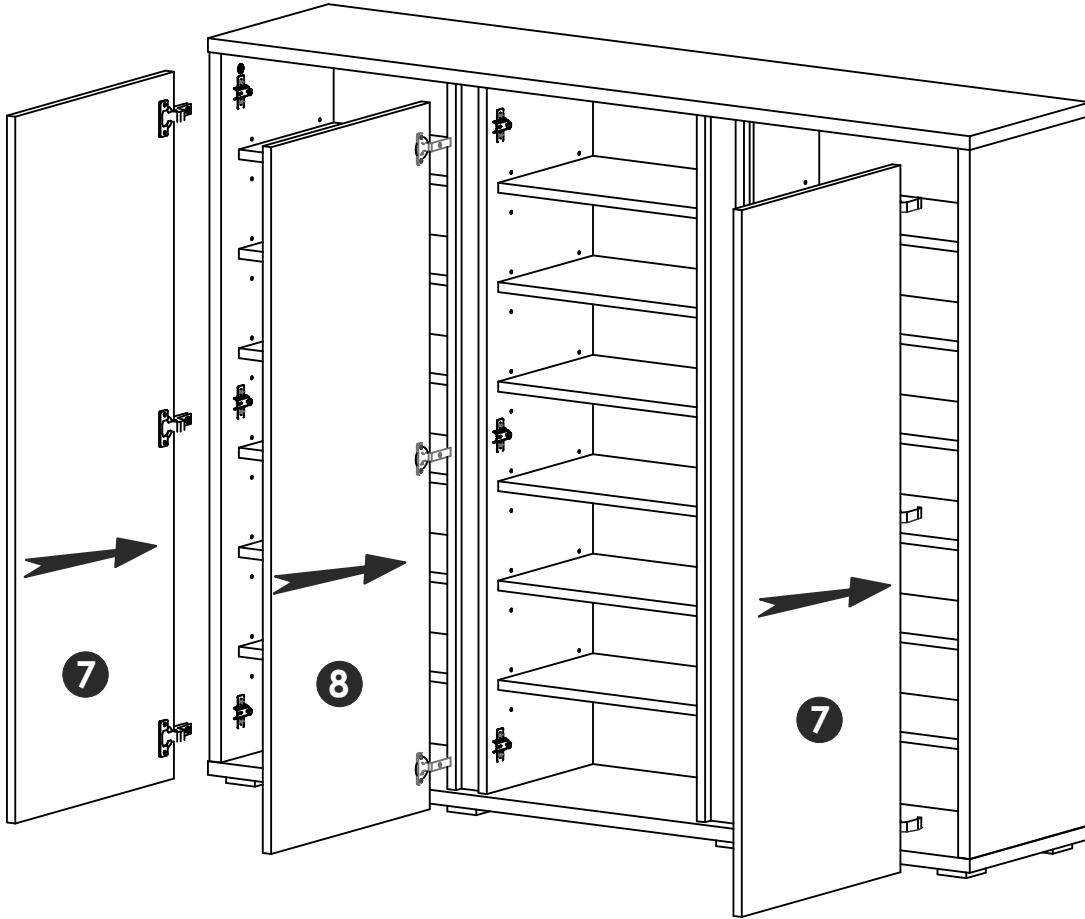
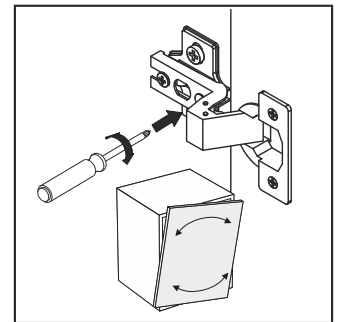
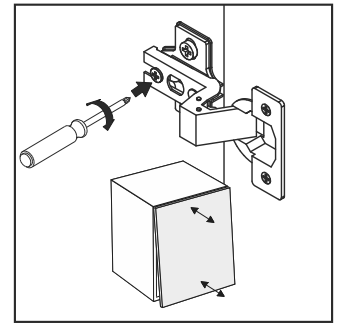
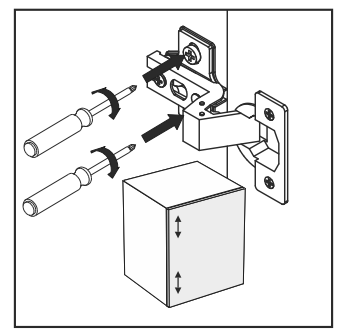
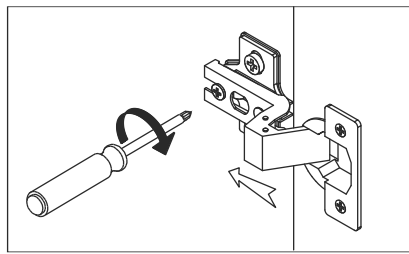
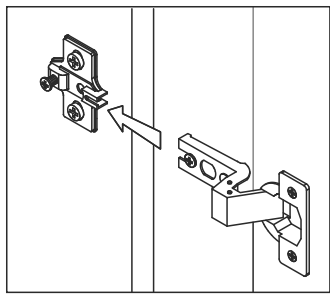


16 ▶

D10	4 x 16 mm	x18	J4	x6	J8	x3



17



18

