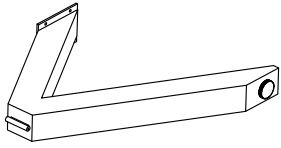


Assembly Instructions

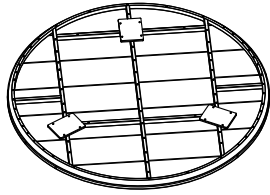


A



3X

B



1X

C



2X

D



M6*20

18X

E



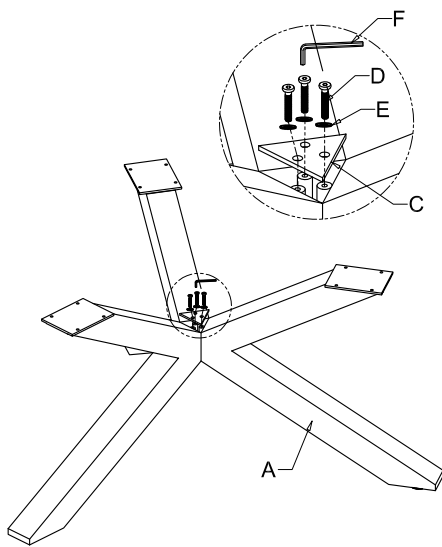
6X

F

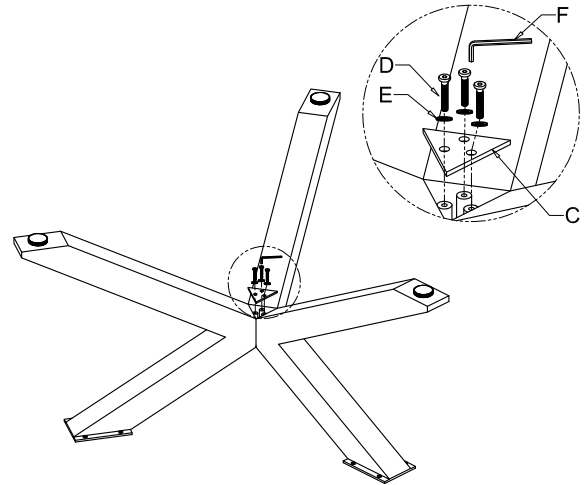


1X

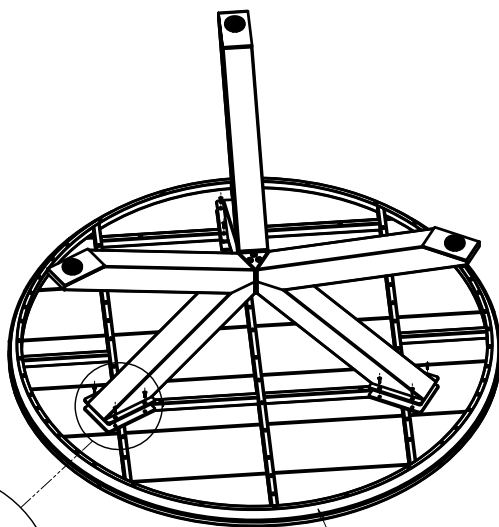
1.



2.



3.



4.

