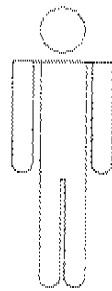
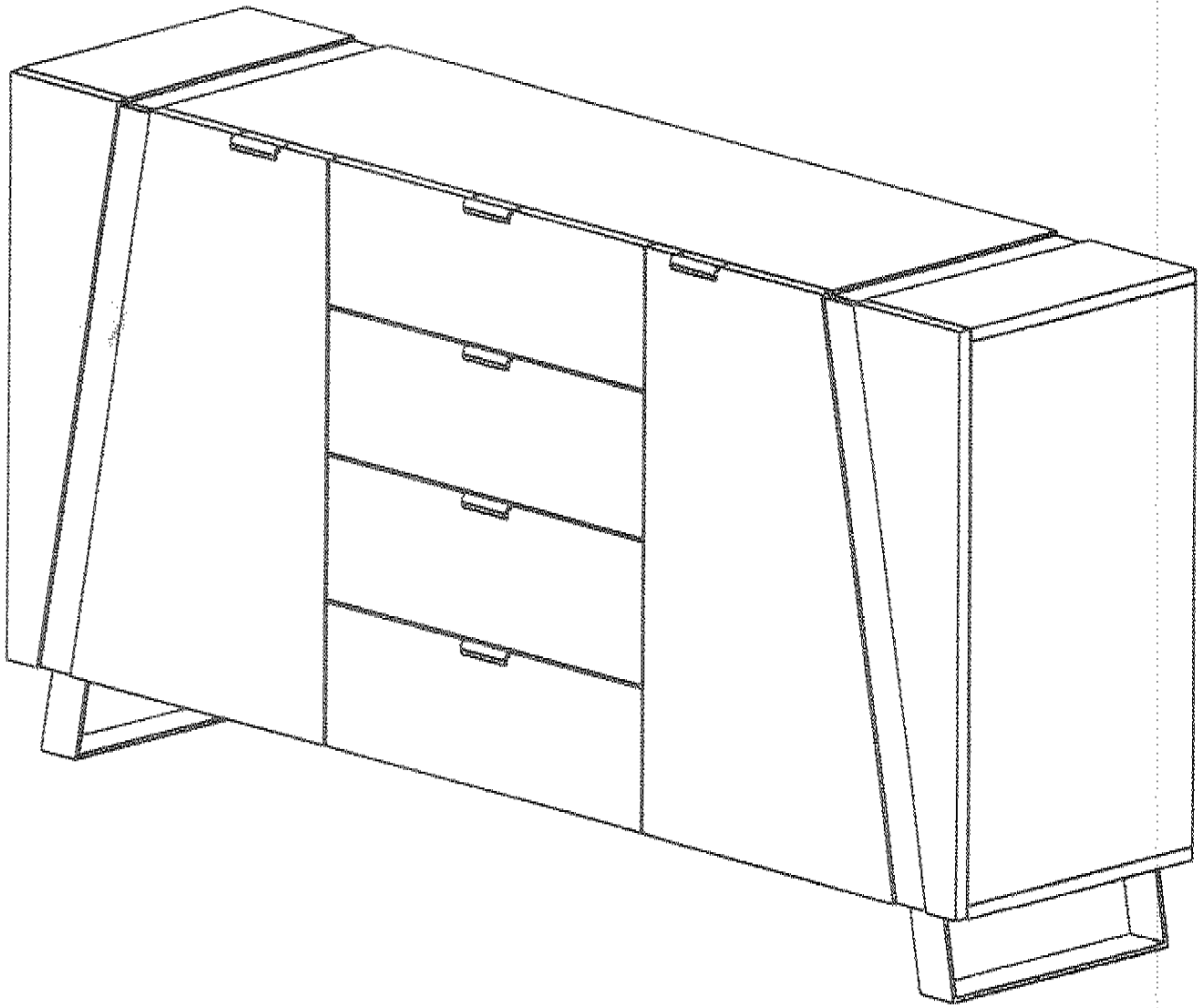


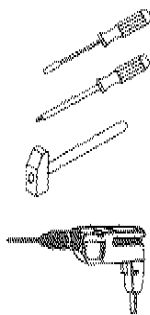
# BOLIAH 1728 x 906 x 430



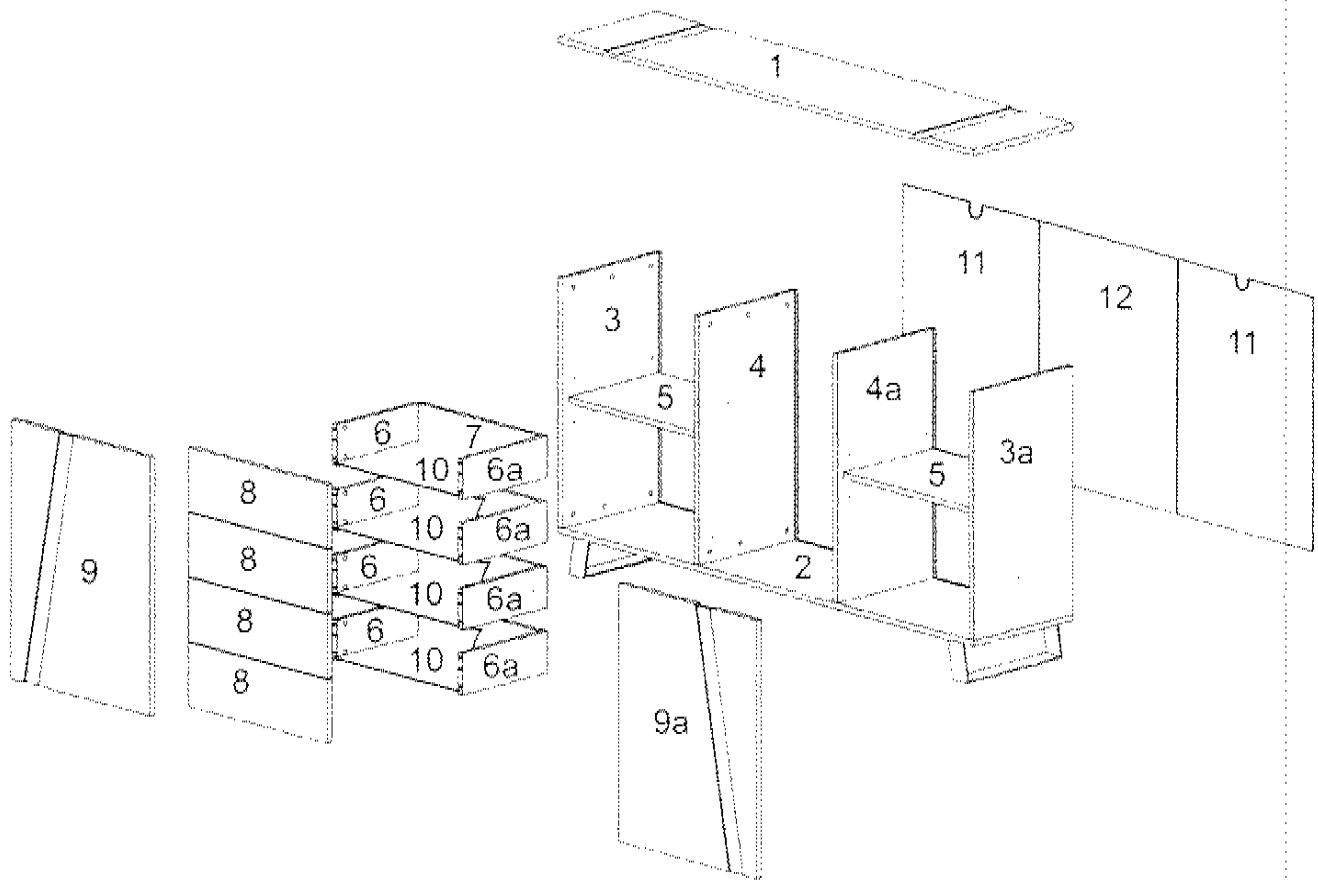
2



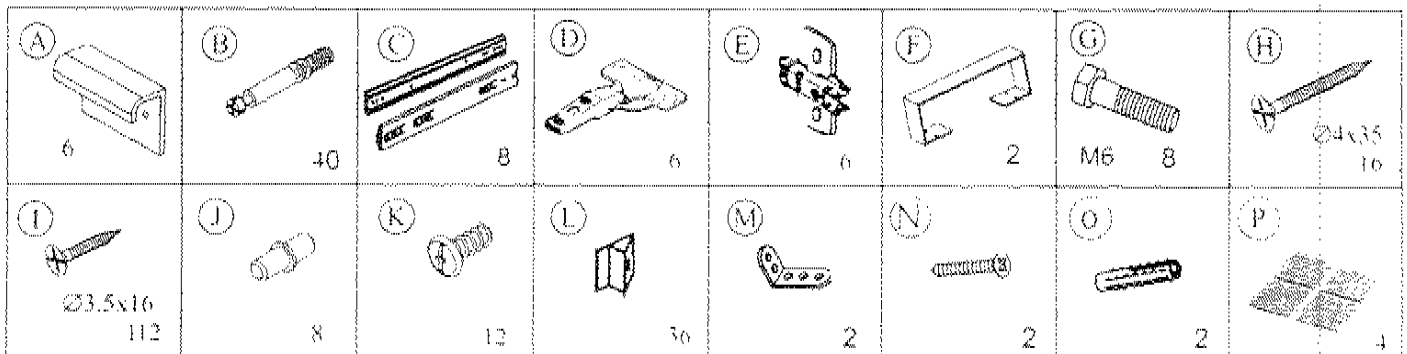
90'



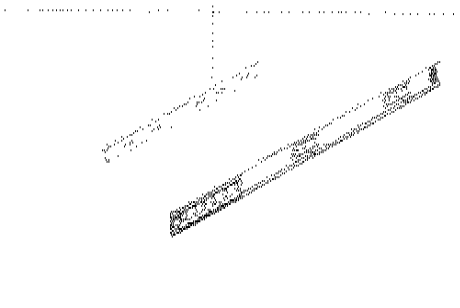
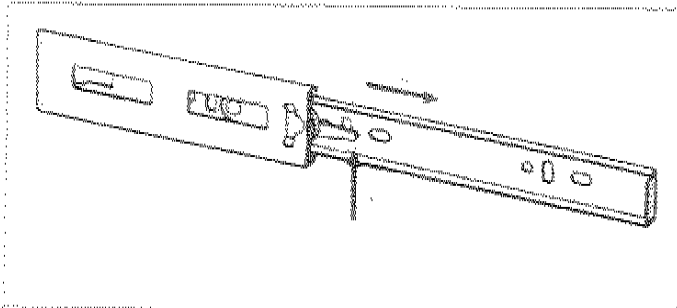
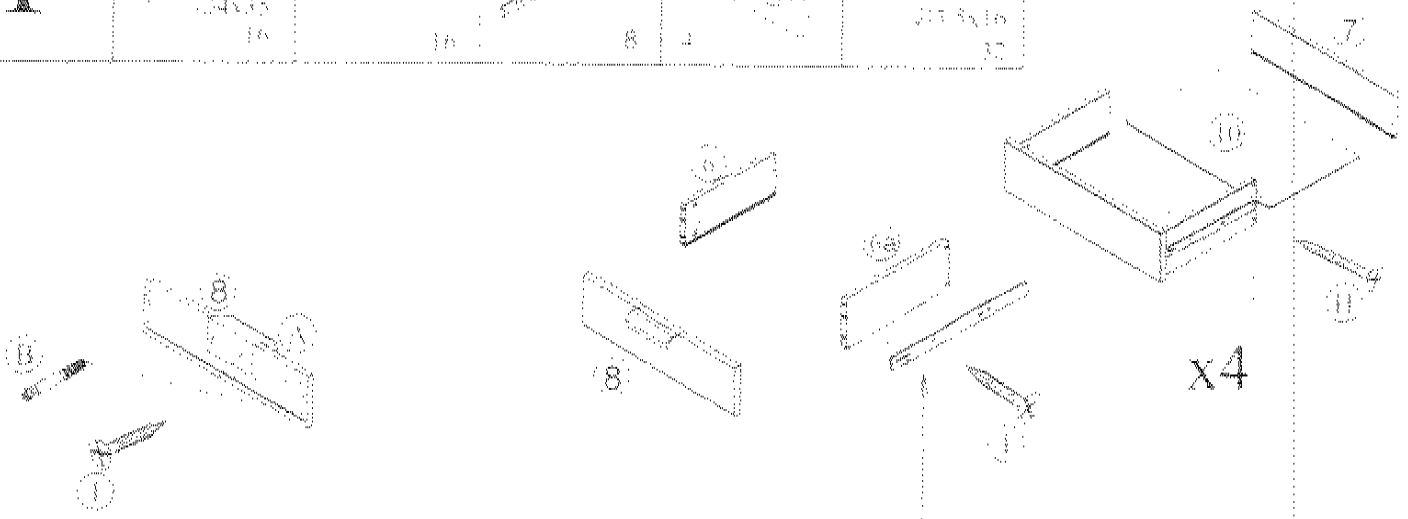
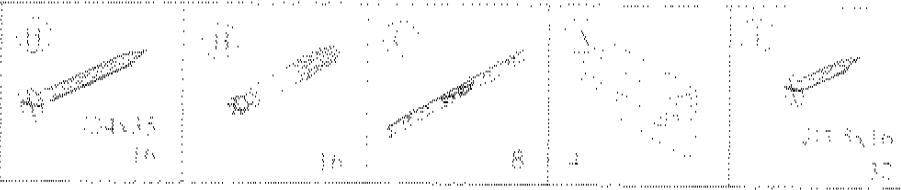
d 6mm



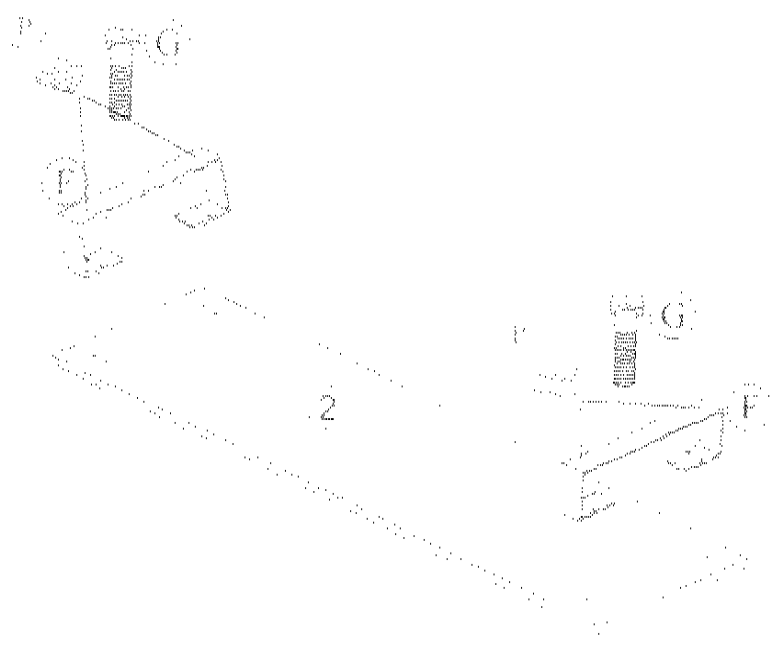
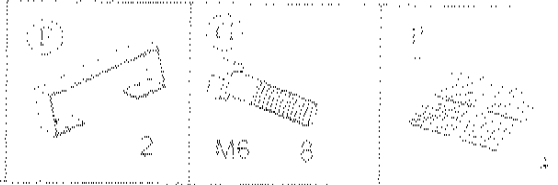
1	1728x410	1	2
2	1728x410	1	2
3	750x410	1	3
3a	750x410	1	3
4	750x410	1	3
4a	750x410	1	3
5	548x370	2	2
6	350x125	4	2 3
6a	350x125	4	2 3
7	496x125	4	3
8	572x193	4	4
9	784x572	1	4
9a	784x572	1	4
10	510x347	4	4
11	764x562	2	4
12	764x568	1	4


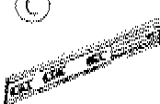







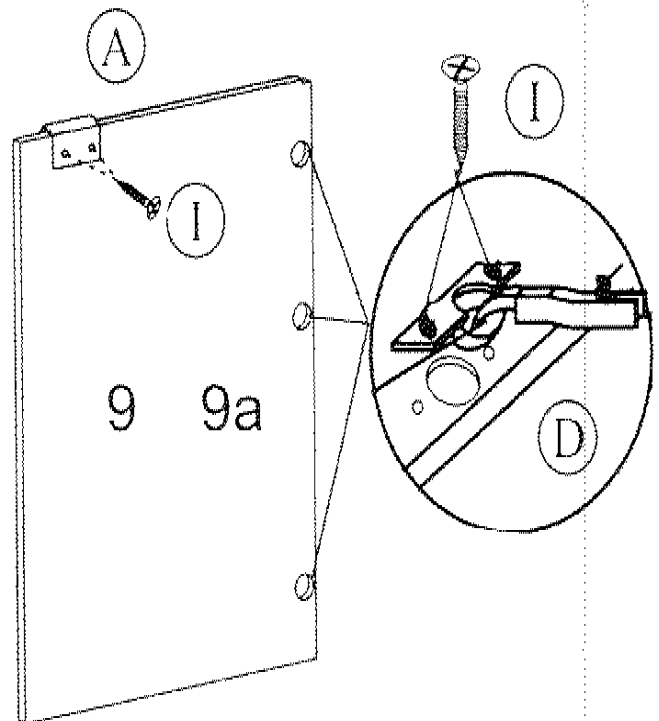
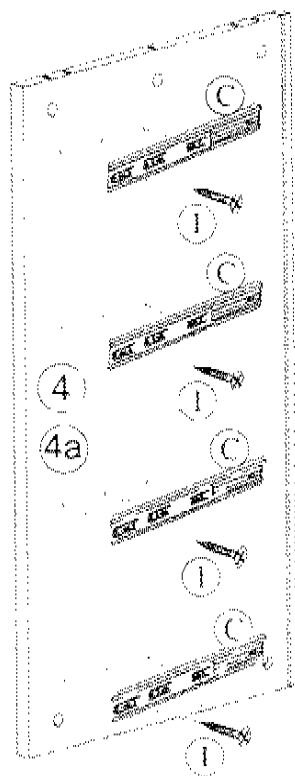
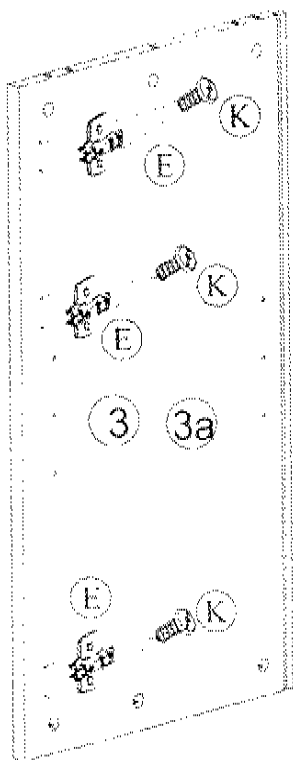
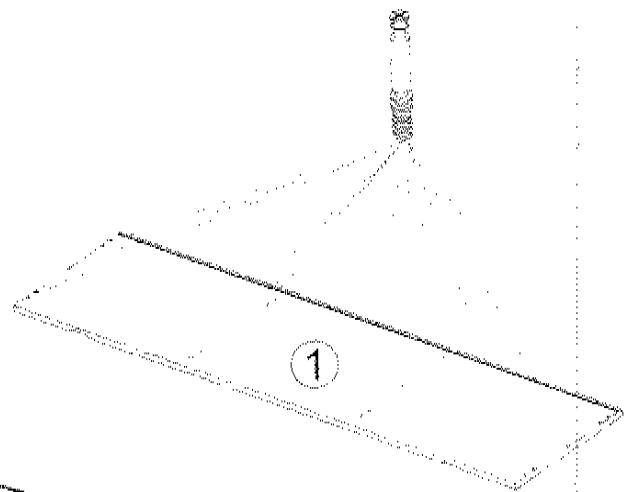
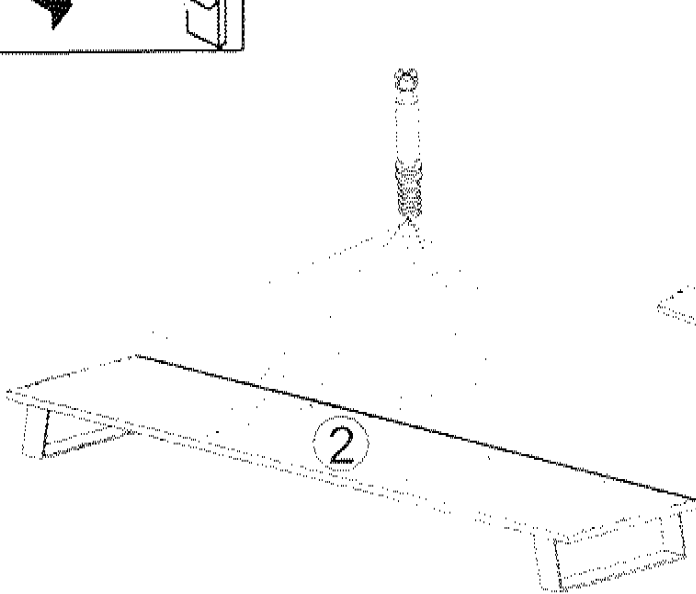
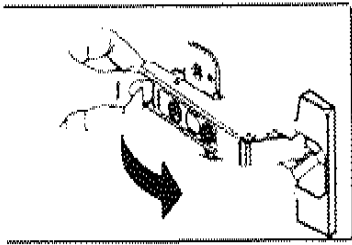
# I



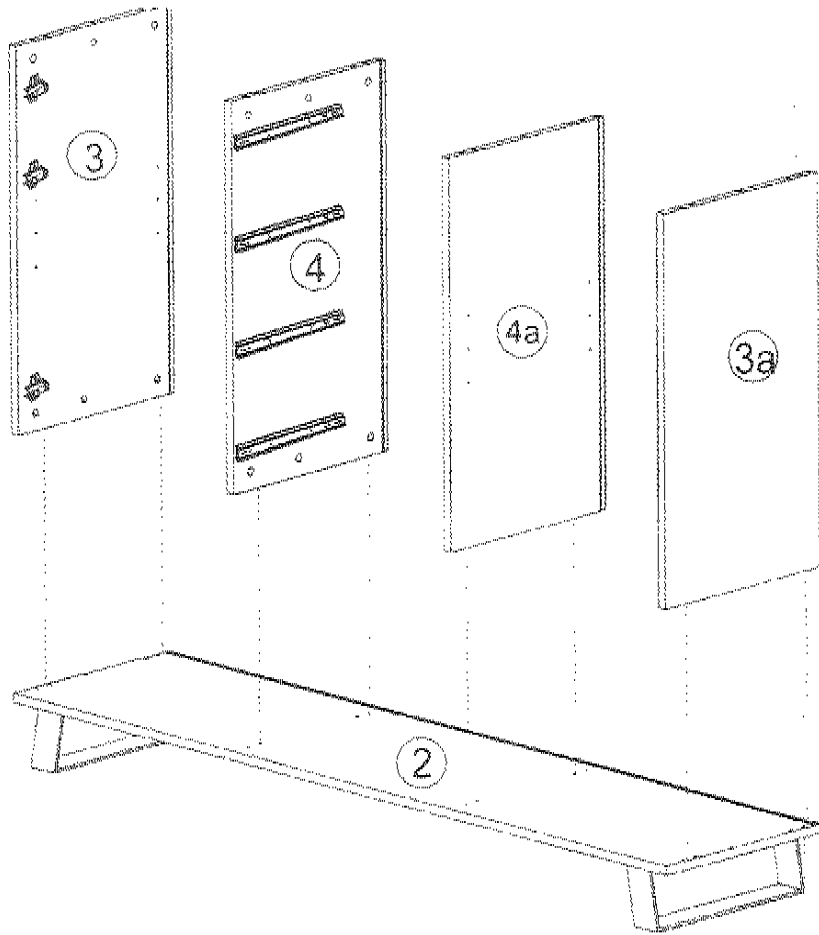
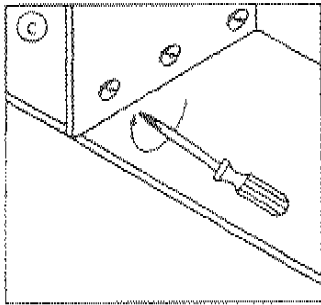
# II



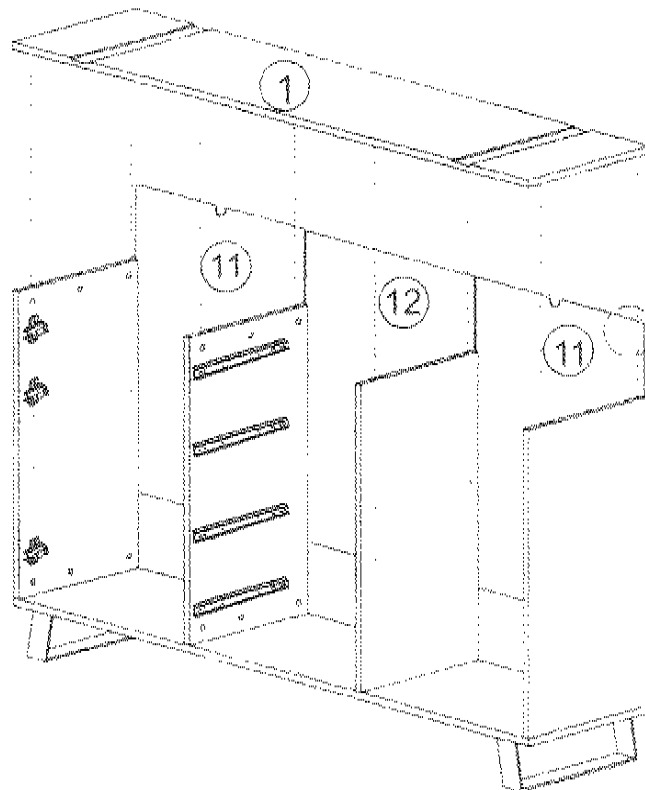
<b>III</b>	<b>(B)</b>  24	<b>(C)</b>  8	<b>(E)</b>  6	<b>(I)</b>  Ø3.5x16 40	<b>(K)</b>  12	<b>(D)</b>  6	<b>(A)</b>  2
------------	---	--	--	--	--	--	--

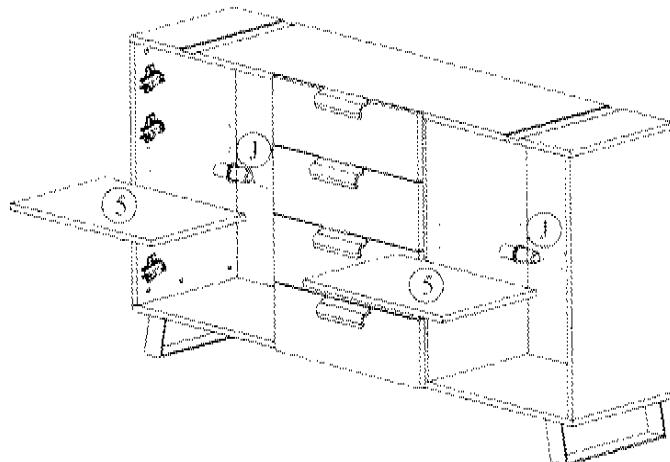
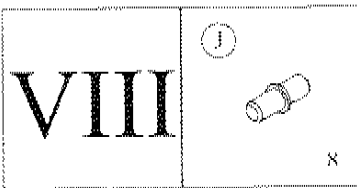
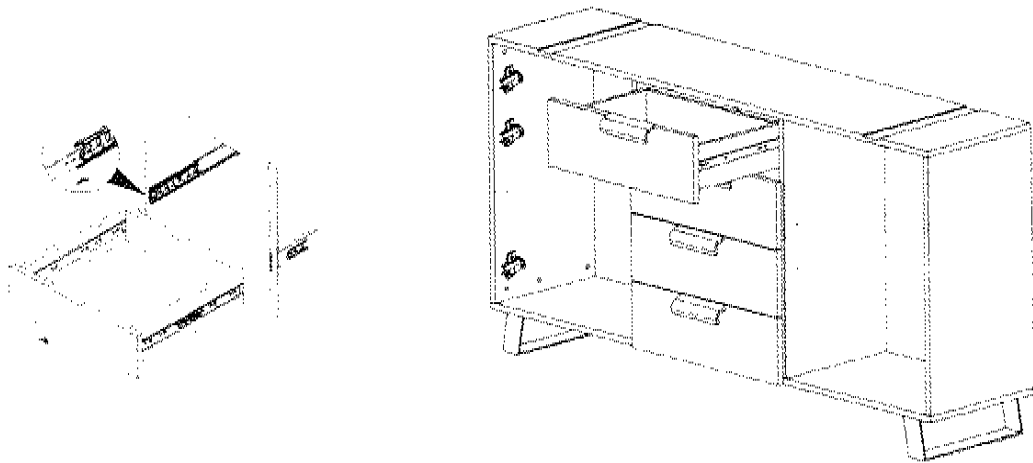
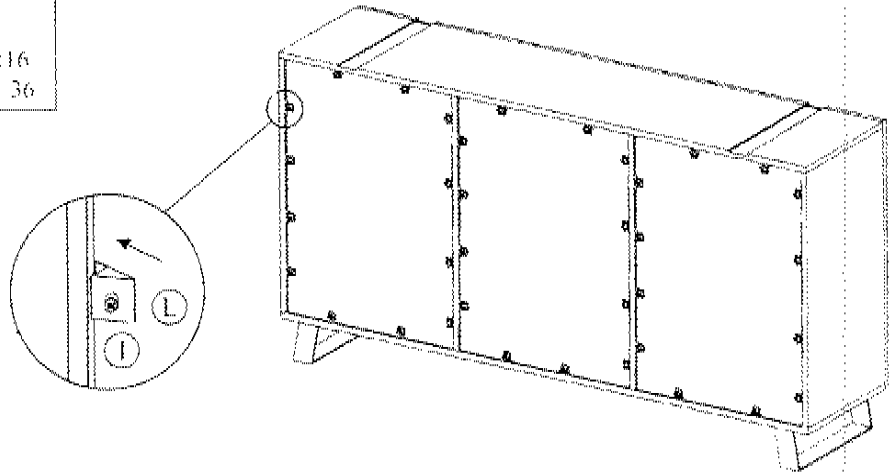
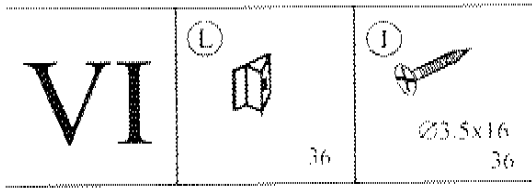


# IV

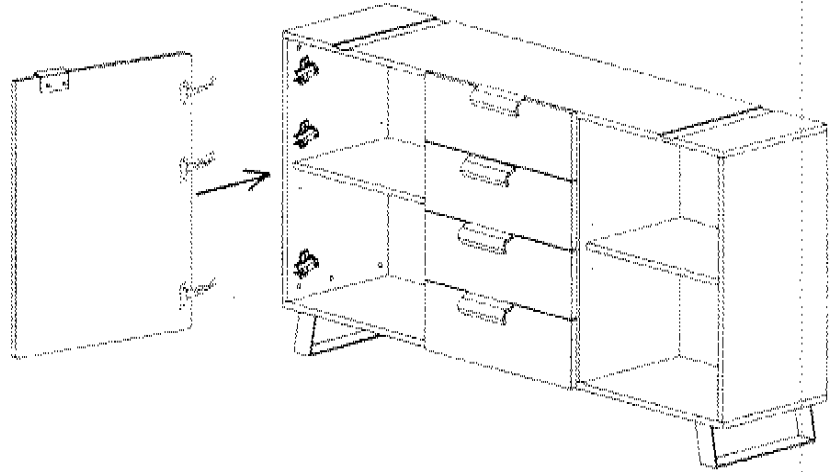
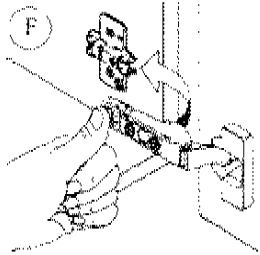


# V





# IX



# X

