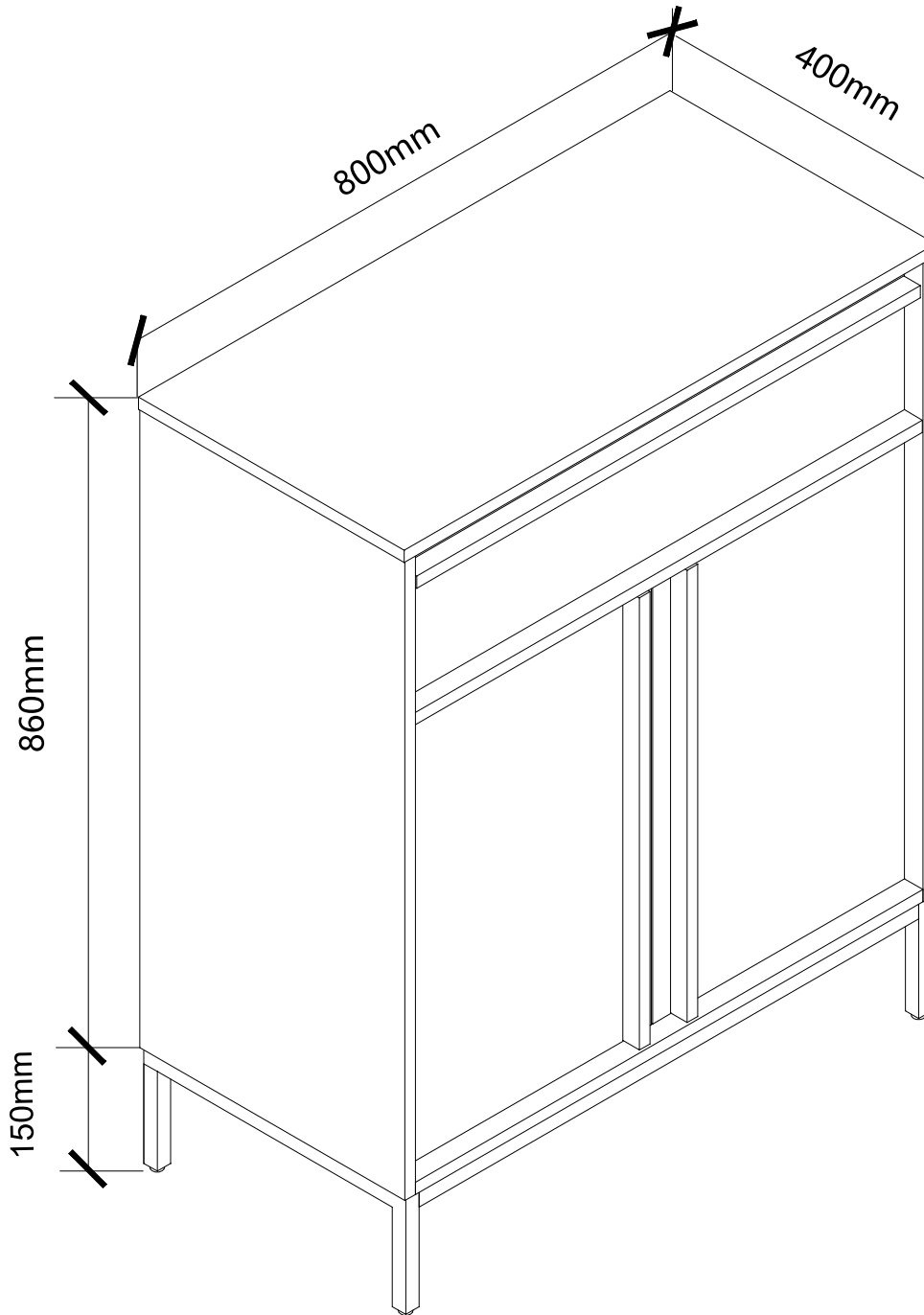
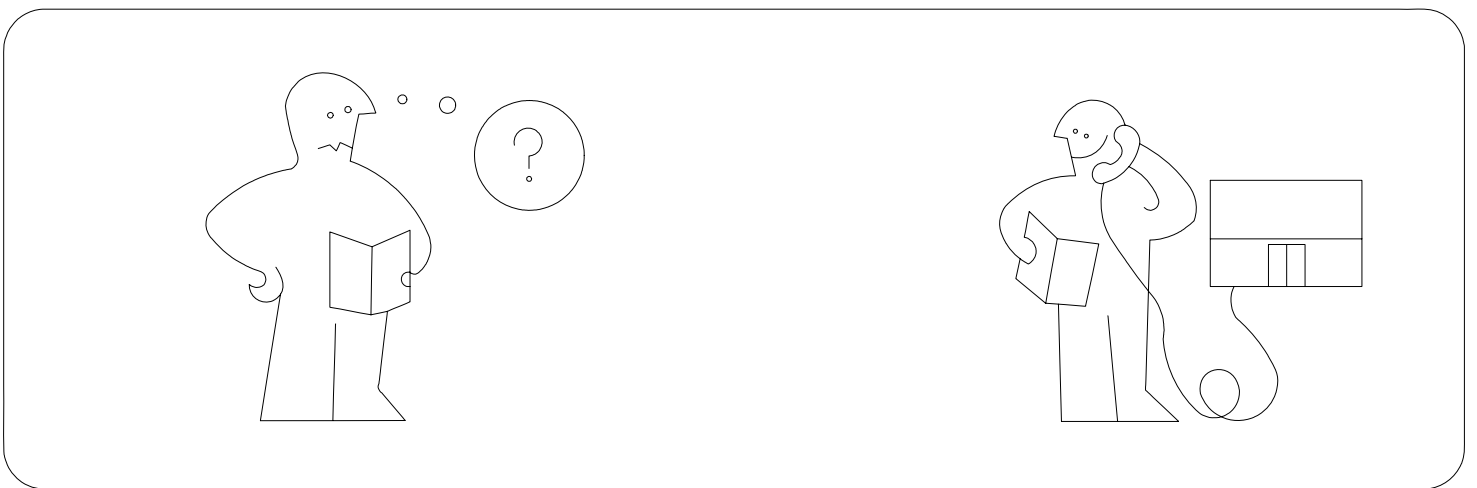
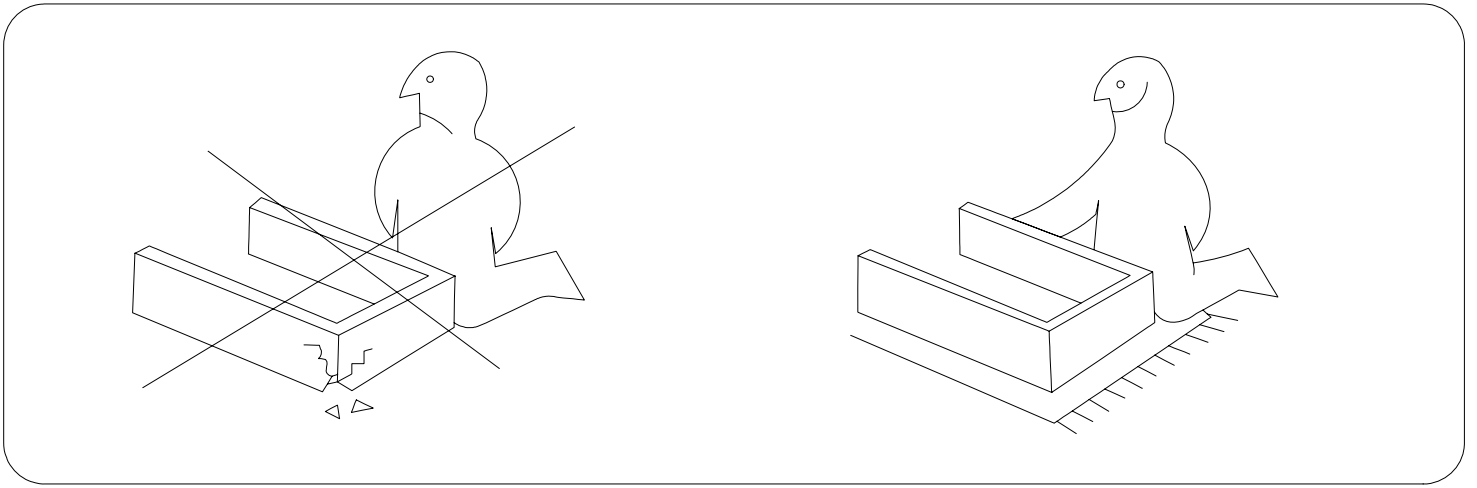
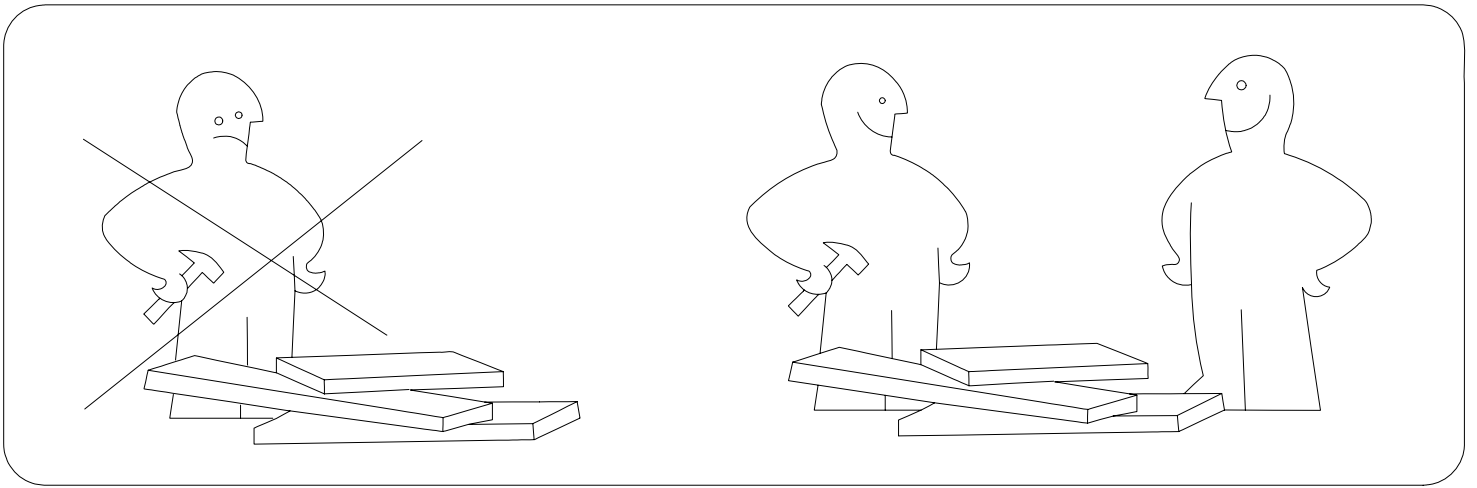
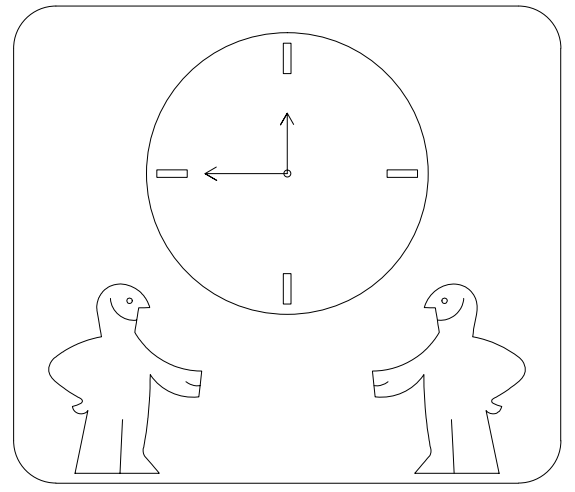
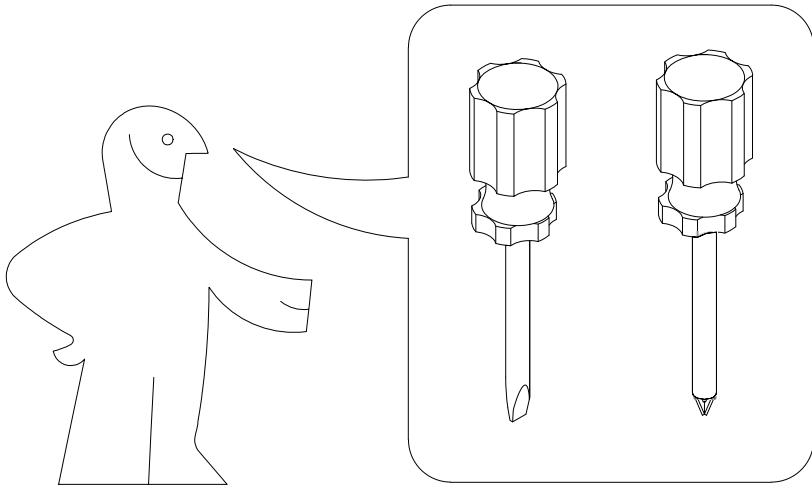
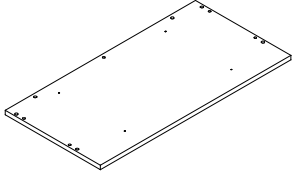
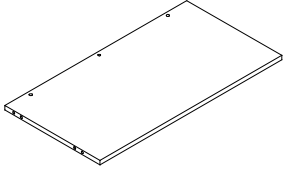
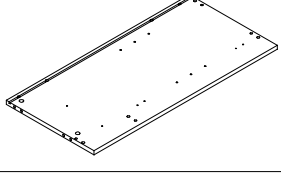
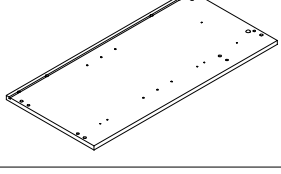
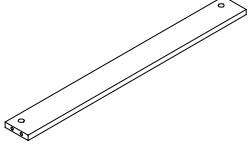
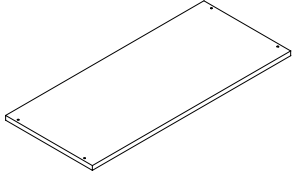
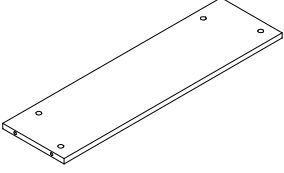
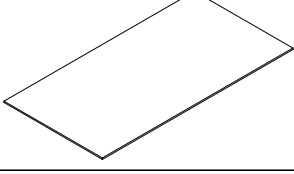
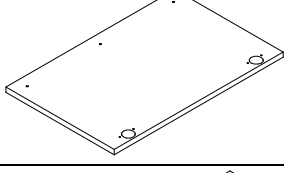
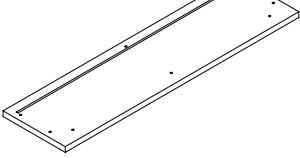


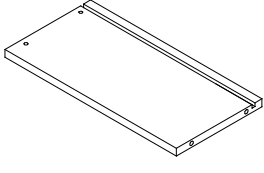
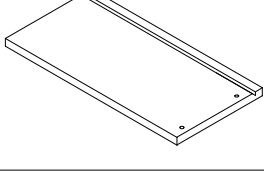
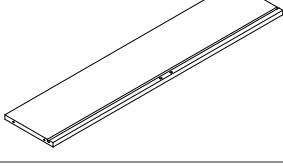
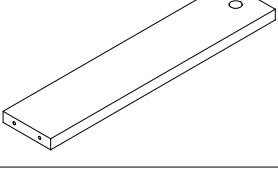
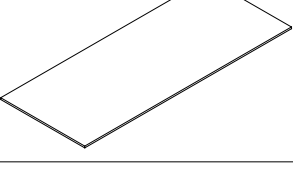
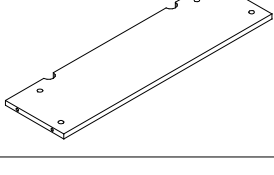
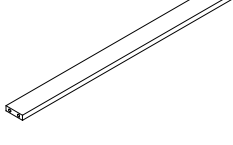
24790001/05
24790001/15

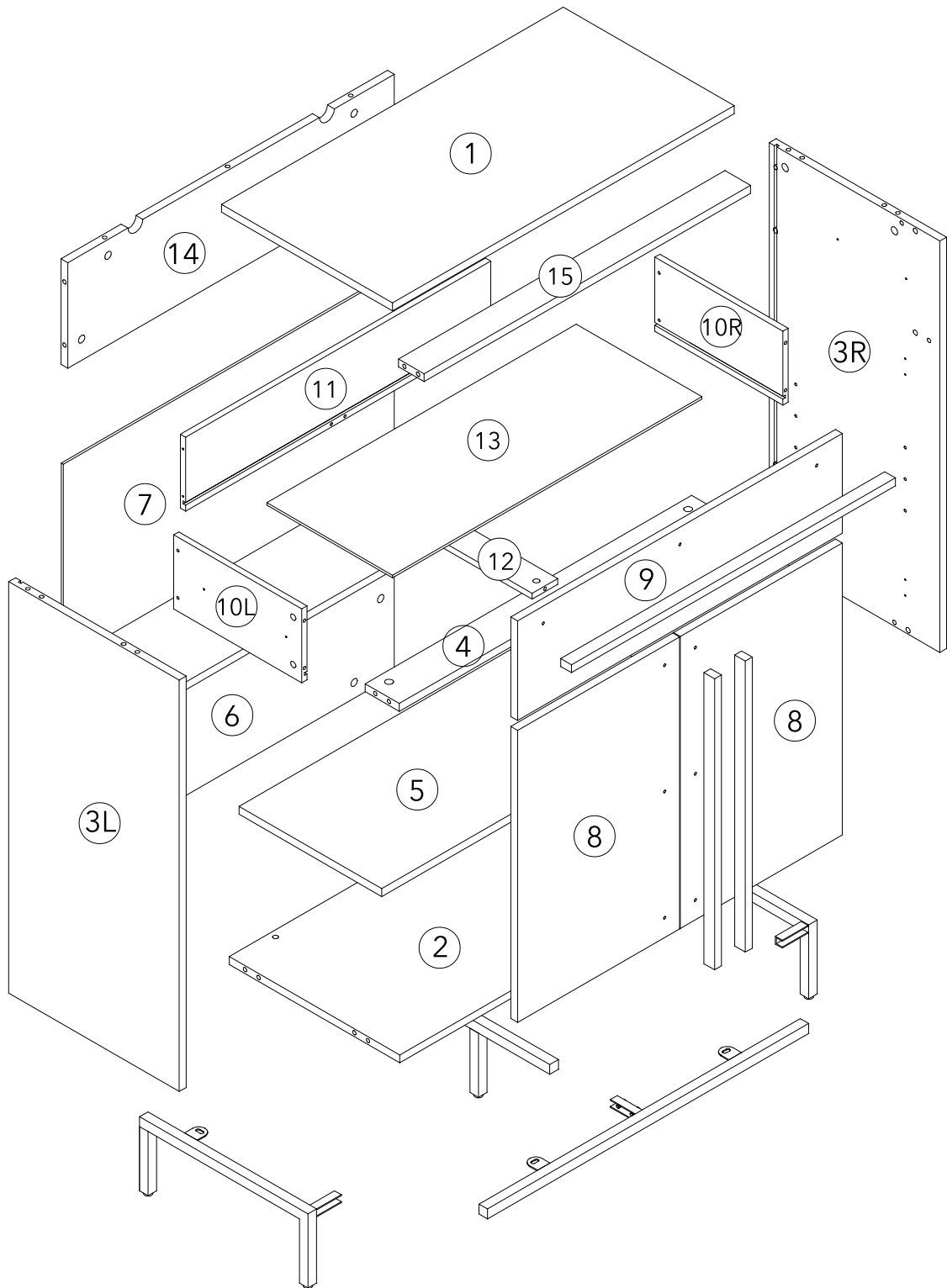
XXXLUTZ KG
Roemerstrasse 39
AT-4600 Wels, Austria
E-Mail: info@xxxlutz.at




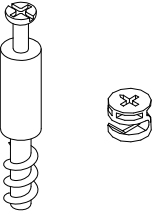
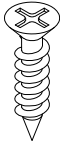
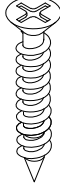
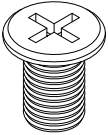
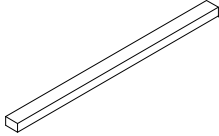
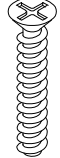
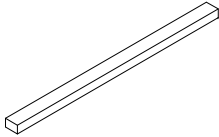
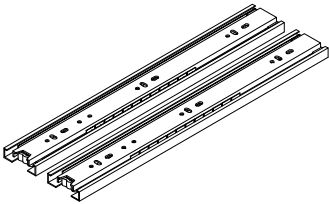
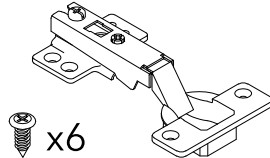
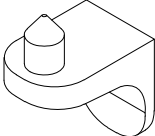
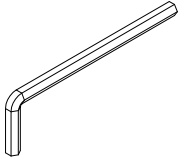
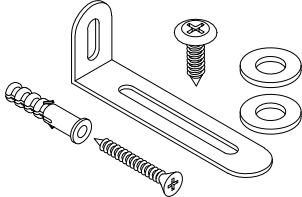
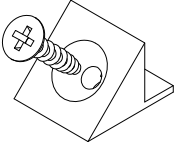
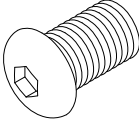



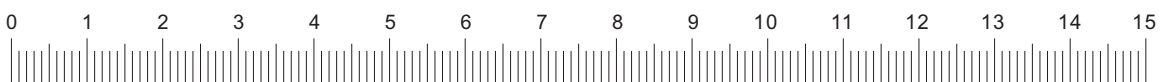


1	800x400x16		1
2	764x398x16		1
3L	834x399x16		1
3R	834x399x16		1
4	764x80x16		1
5	764x334x16		1
6	764x214x16		1
7	774x400x5		1
8	592x379x16		2
9	760x202x16		1

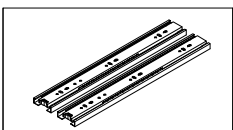
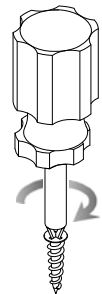
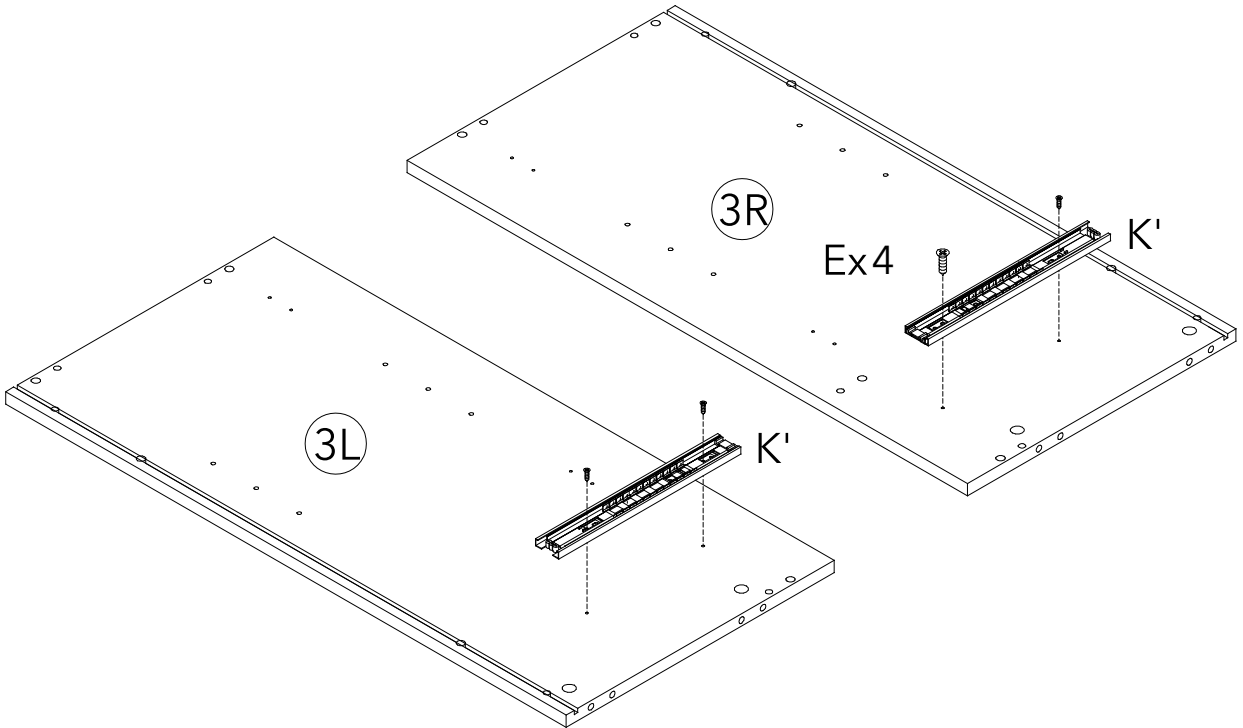
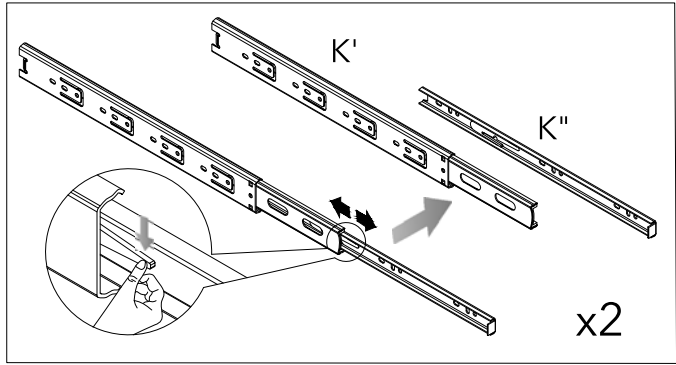
10L	300x150x12		1
10R	300x150x12		1
11	714x150x12		1
12	284x60x12		1
13	724x294x5		1
14	764x214x16		1
15	764x60x16		1



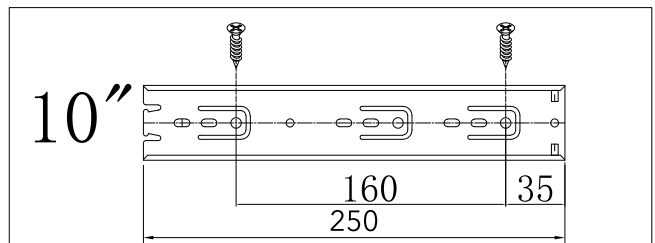
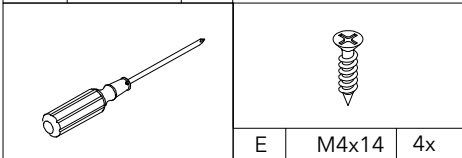
								
A	M6x40mm	20x	B	Ø15x11.5	20x	C	Ø8x30	18x
								
D	Ø12x10mm	5x	E	M4x14	8x	F	M4x30	8x
								
G	M6x12mm	5x	H	L=590	2x	I	M4x20mm	9x
								
J	L=758	1x	K	10"	1x	M	/	4x
								
N	/	4x	O	4#	1x	P	/	2x
								
Q	/	4x	R	M6x16mm	6x	Z	Ø20	25x



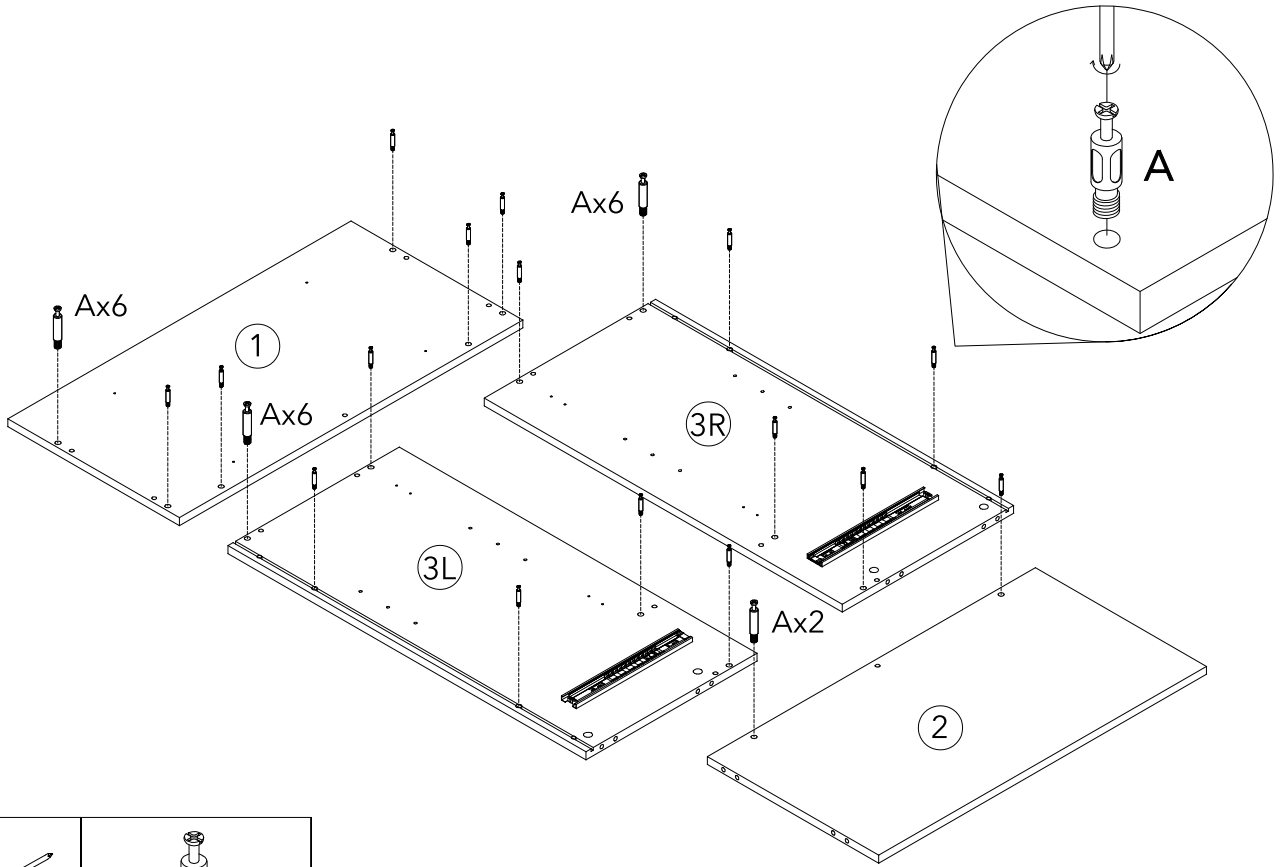
1

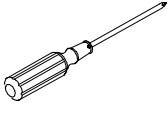



K 10" 1x

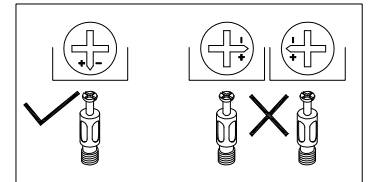
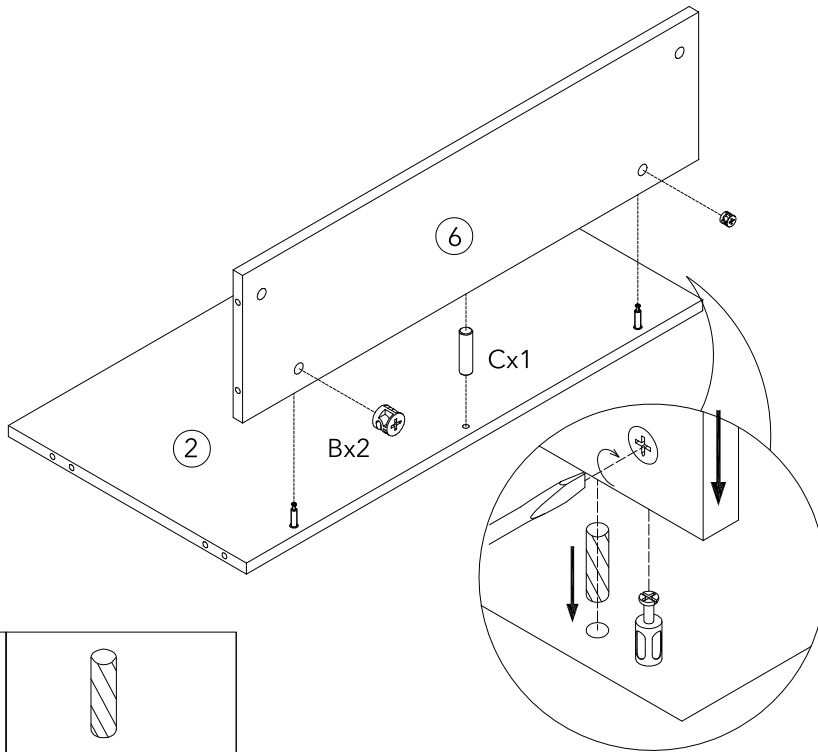



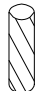
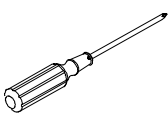

2



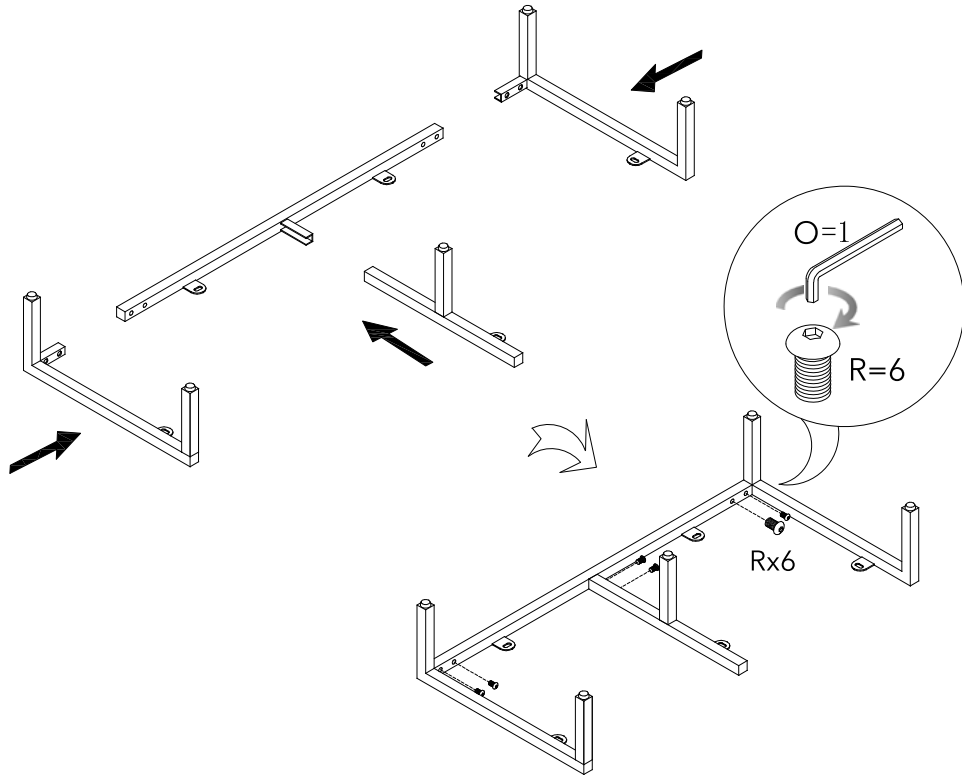
	
A	M6x40mm 20x

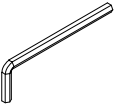
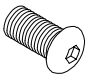
3



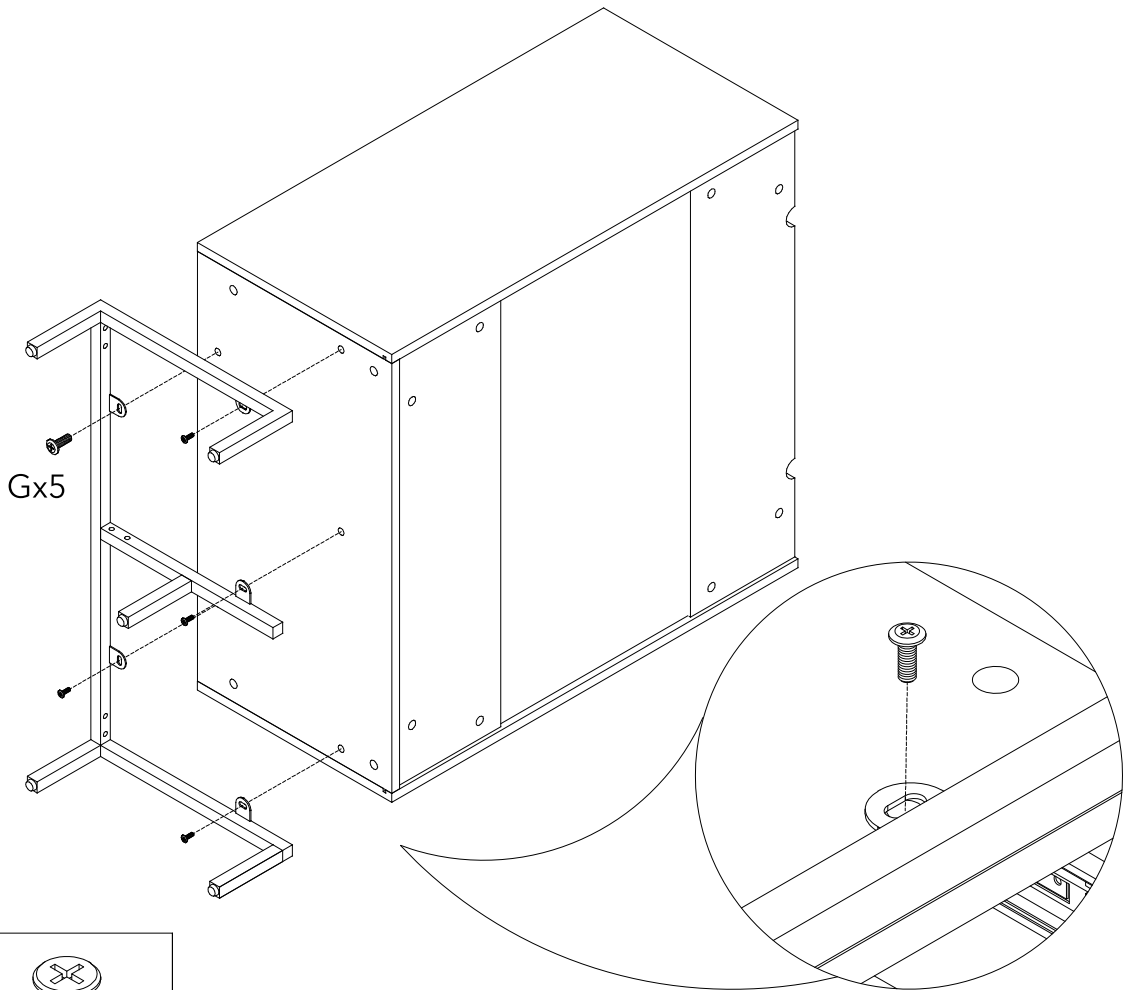
	
C	Ø8x30 1x
	
B	Ø15x11.5 2x

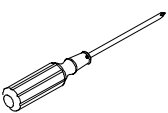

6



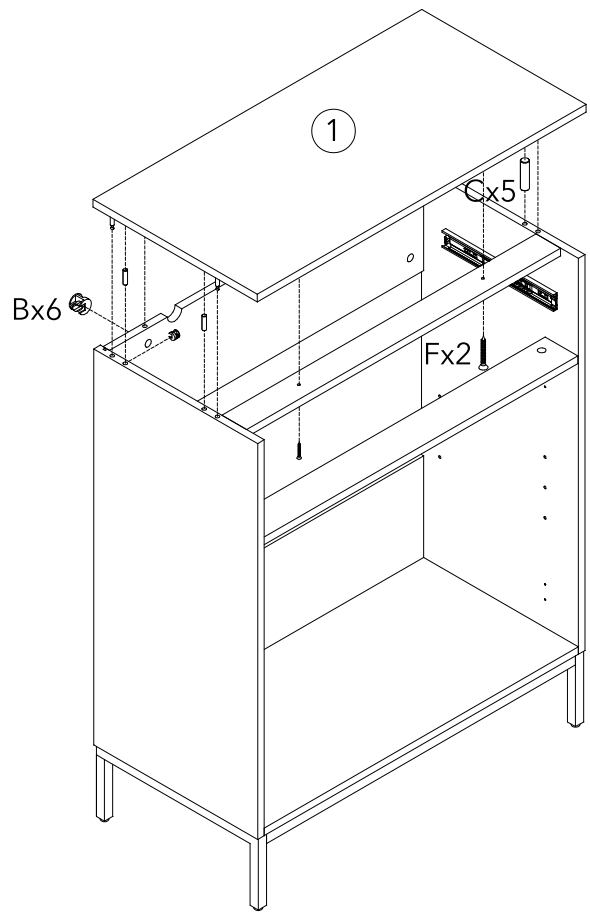
					
O	4#	1x	R	M6x16mm	6x

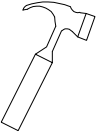

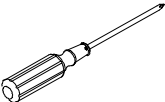

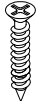
7



		
G	M6x12mm	5x

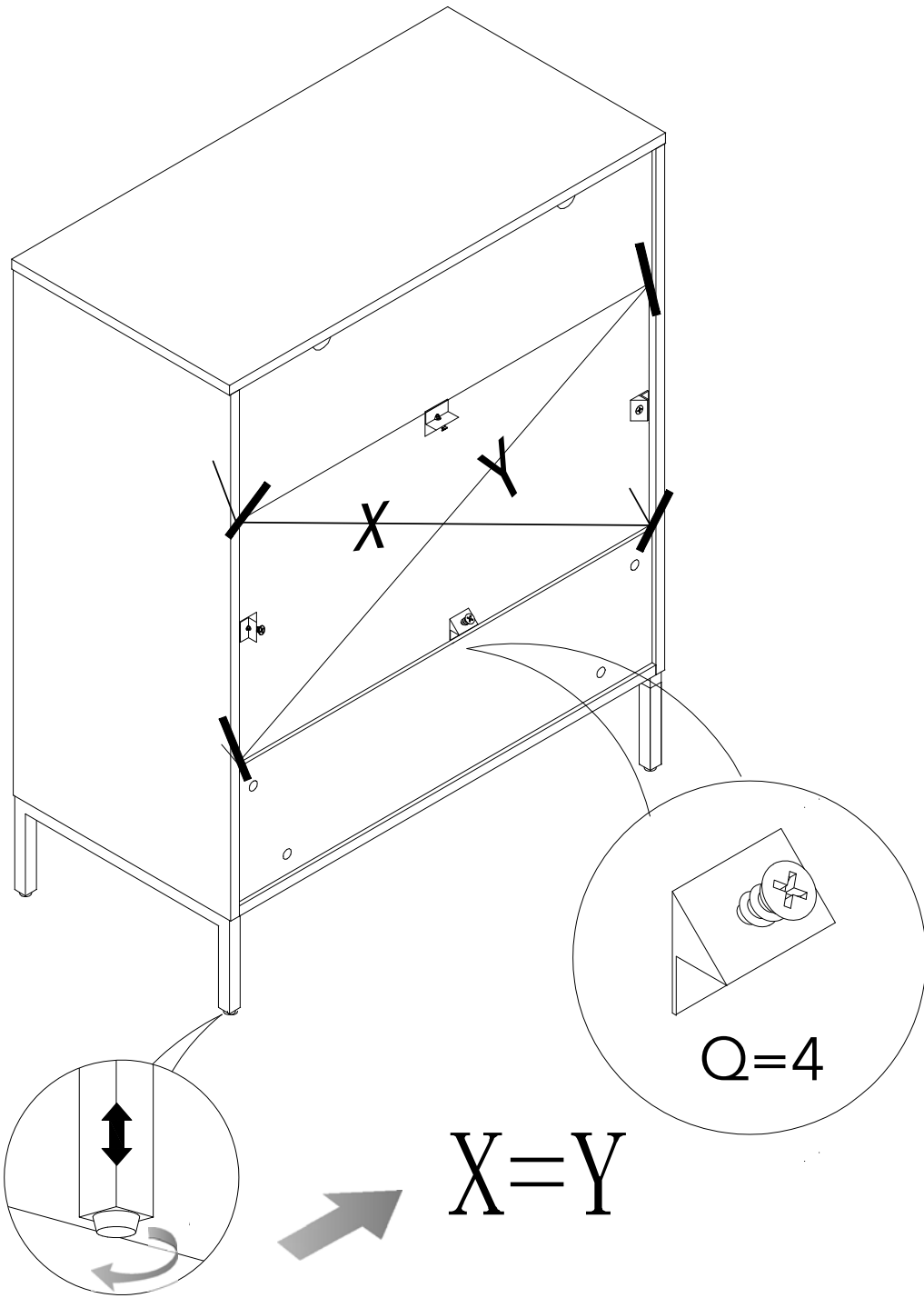
8



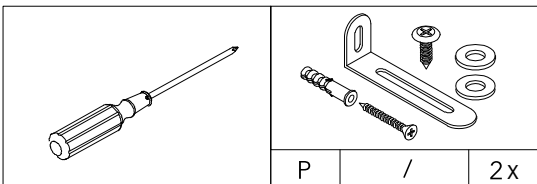
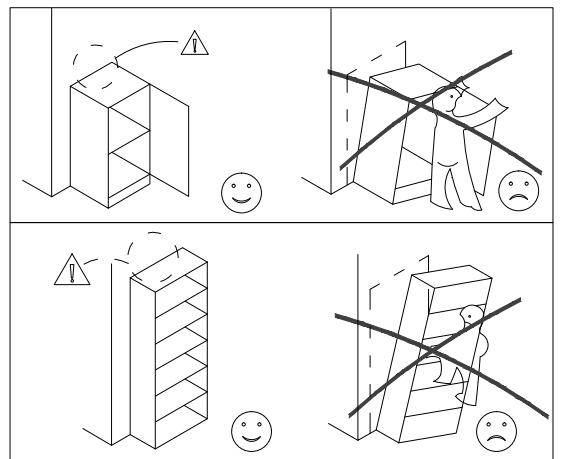
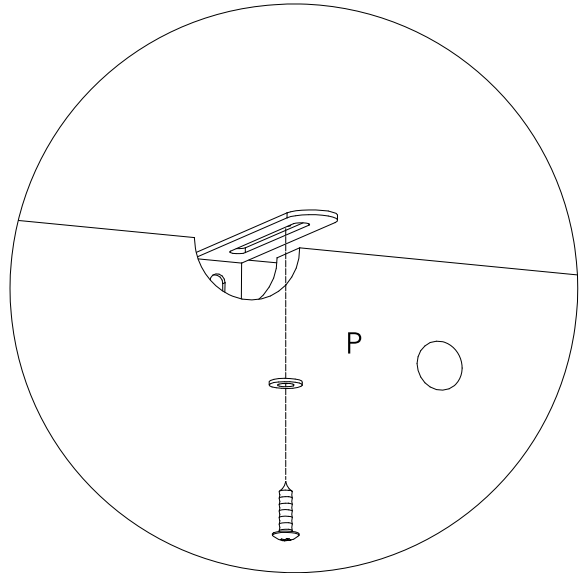
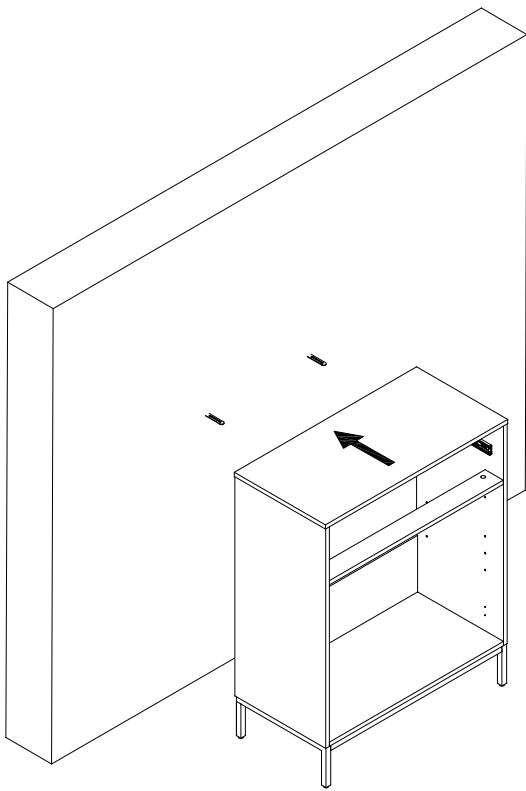
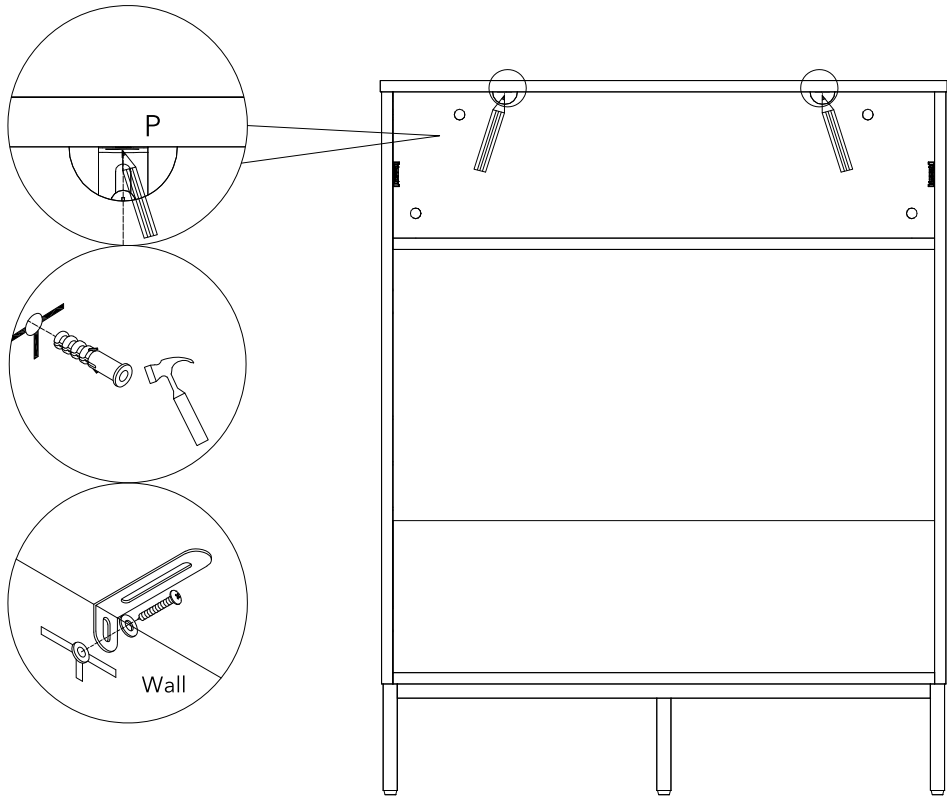
				
	C	Ø8x30	5x	
				
	B	Ø15x11.5	6x	
		F	M4x30	2x

9

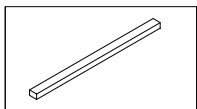
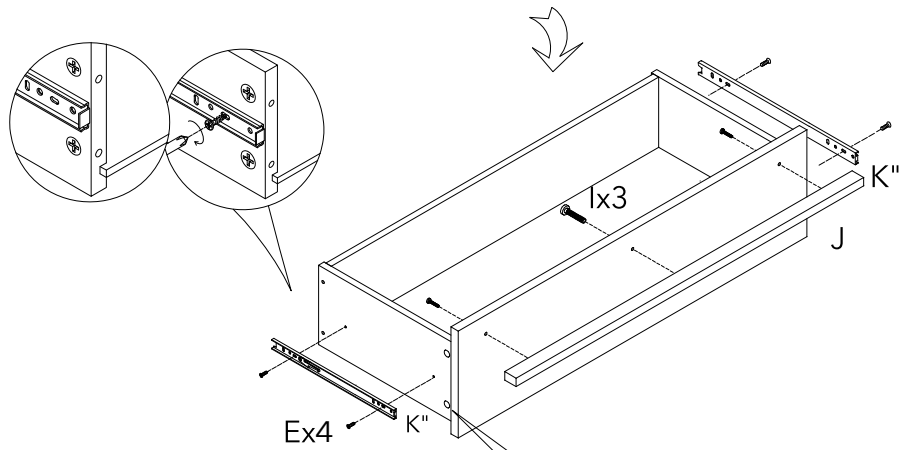
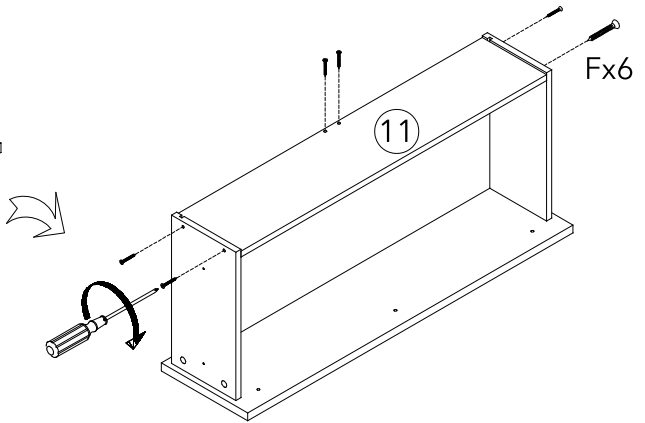
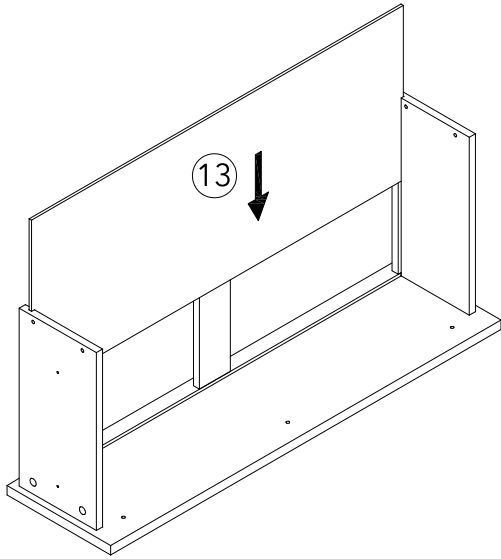
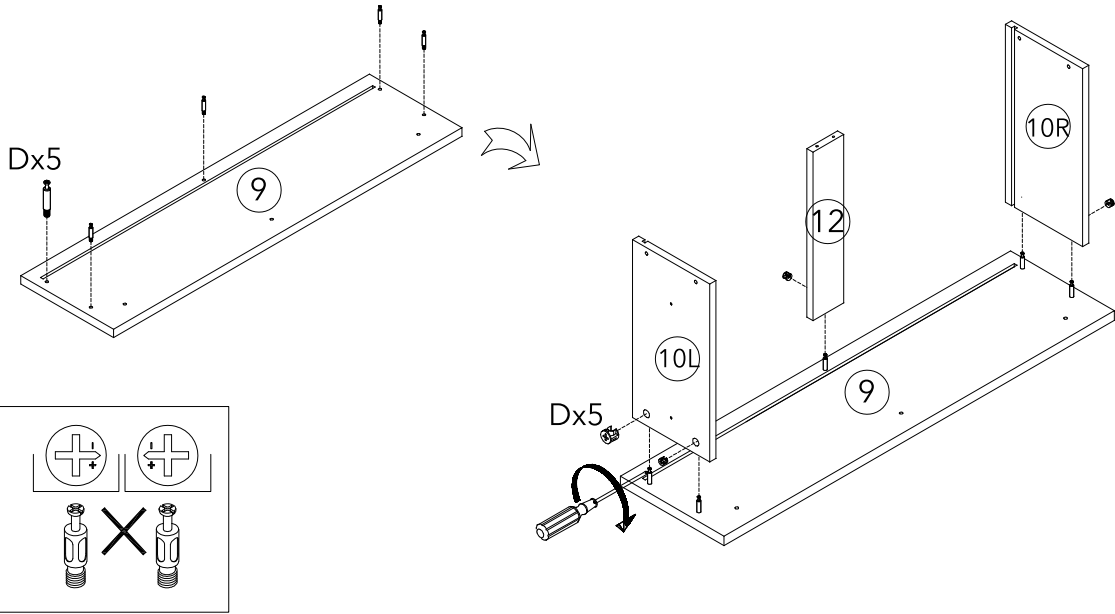




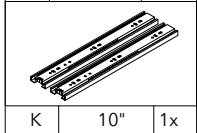
$$X=Y$$



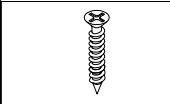
12



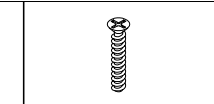
J L=758 1x



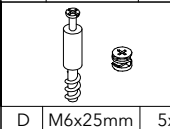
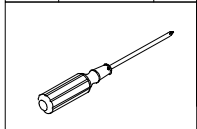
K 10" 1x



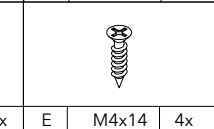
F M4x30 6x



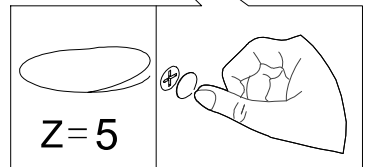
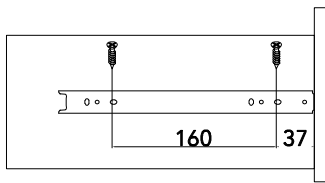
I M4x20 3x



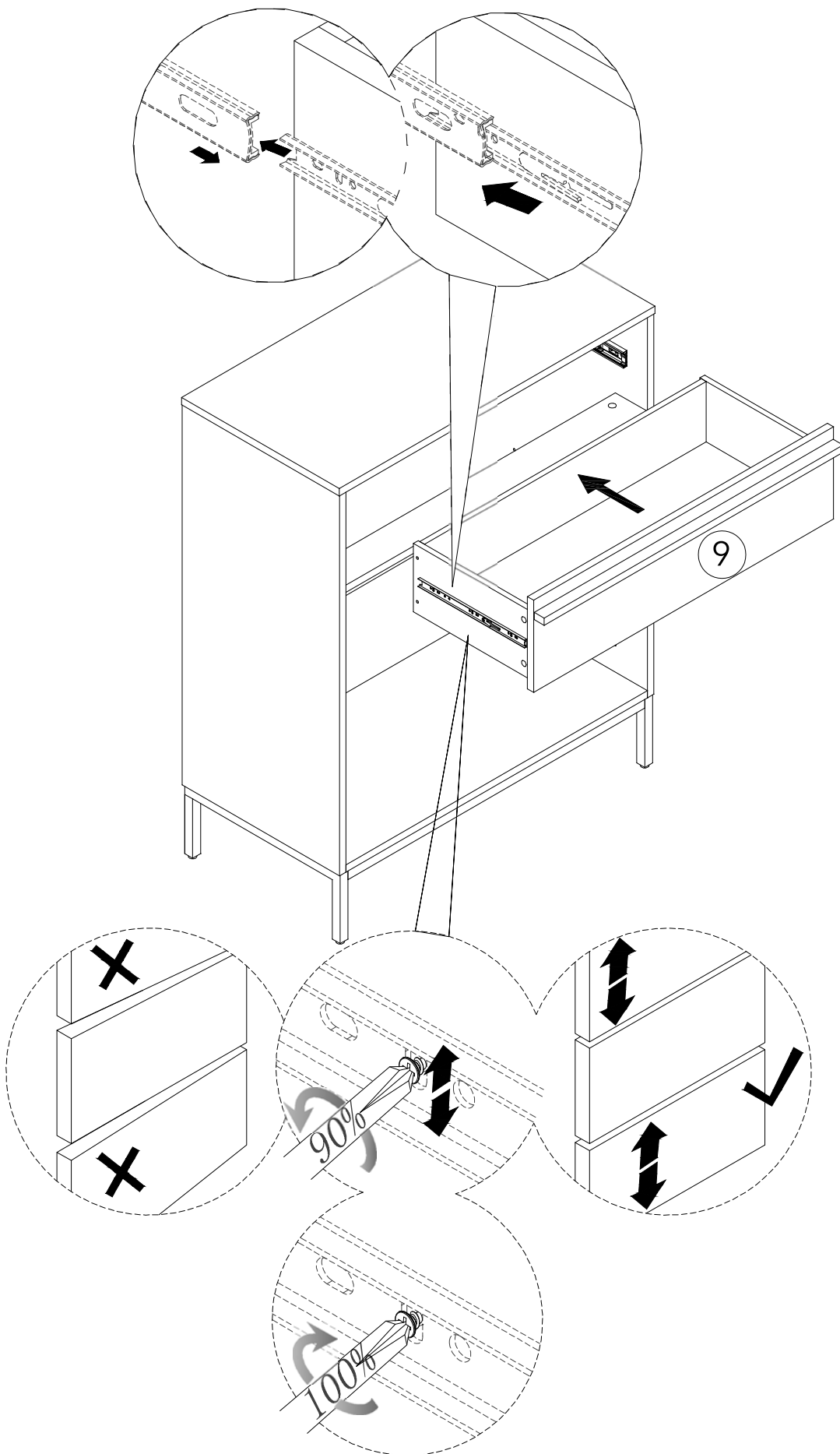
D M6x25mm 5x

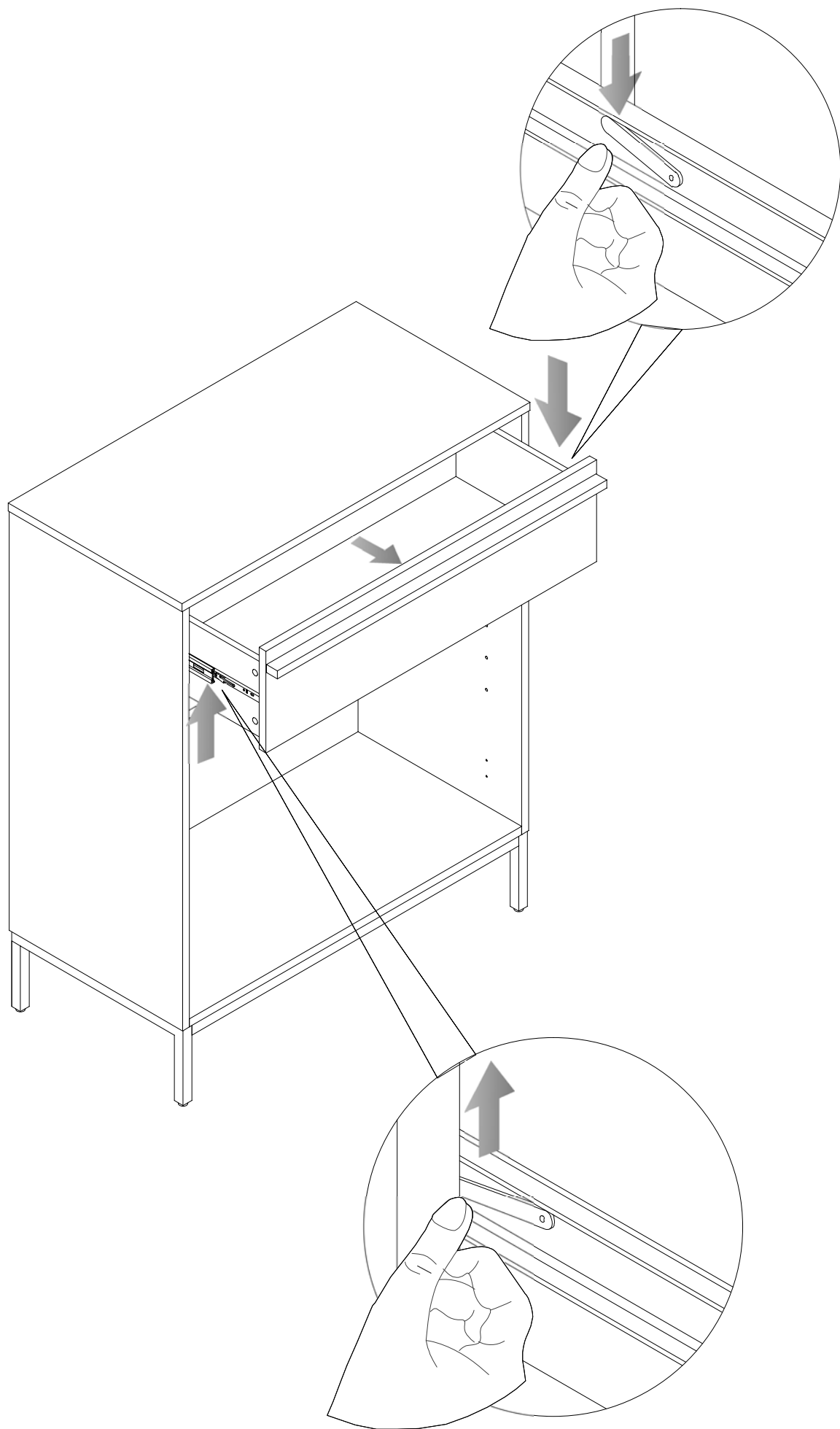


E M4x14 4x

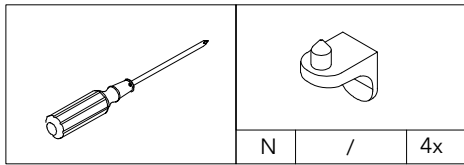
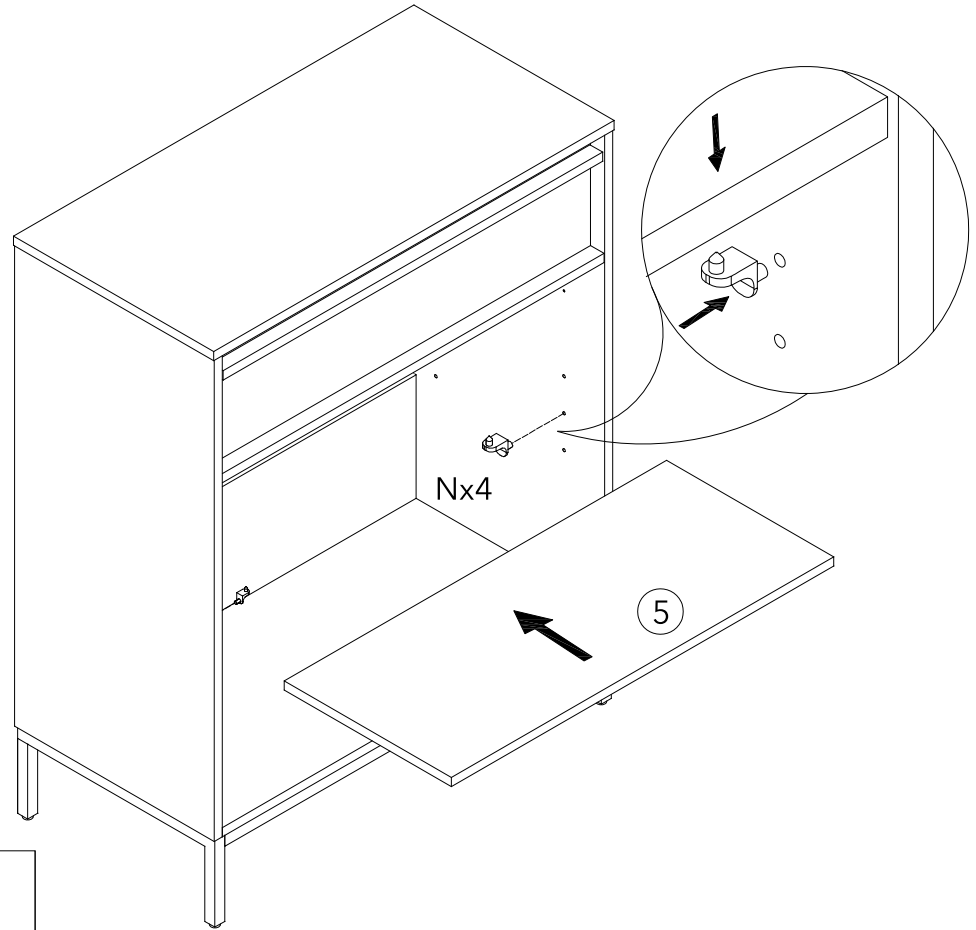


13

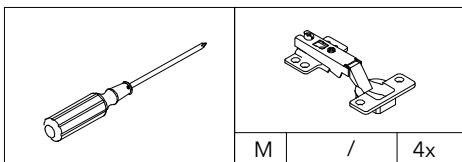
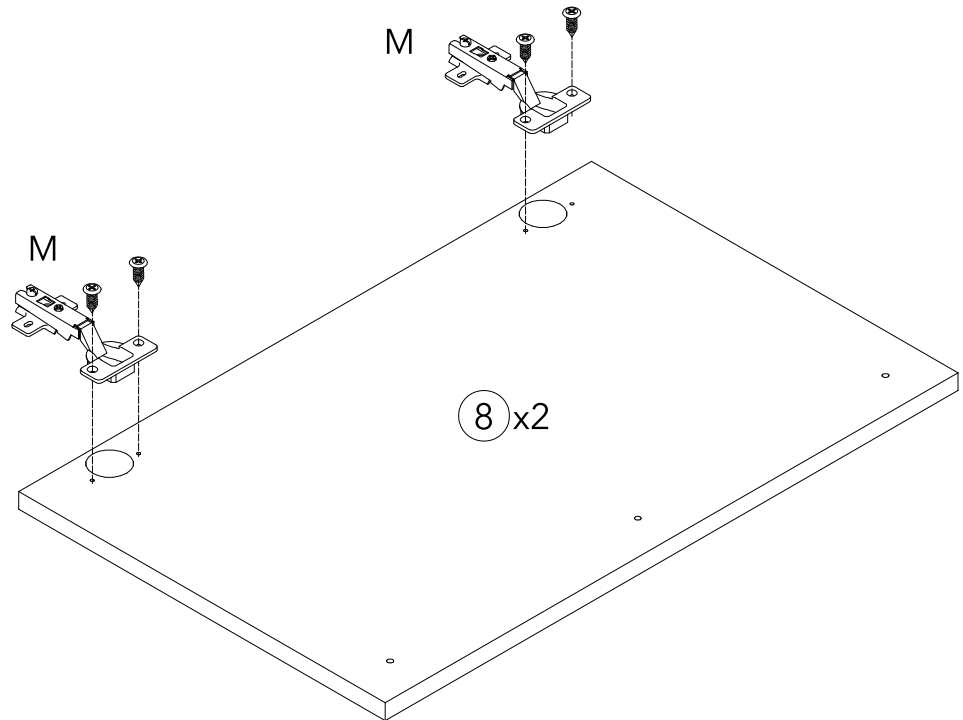


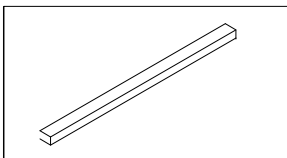
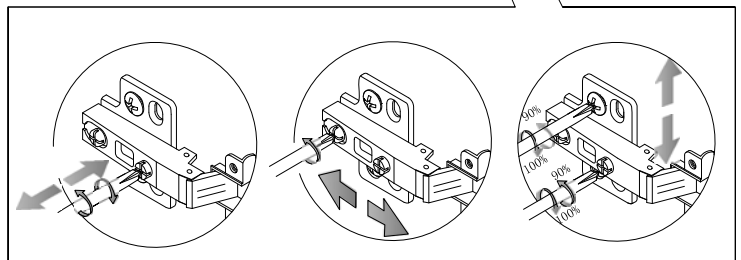
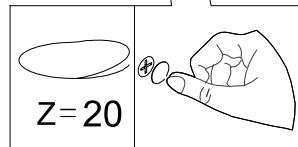
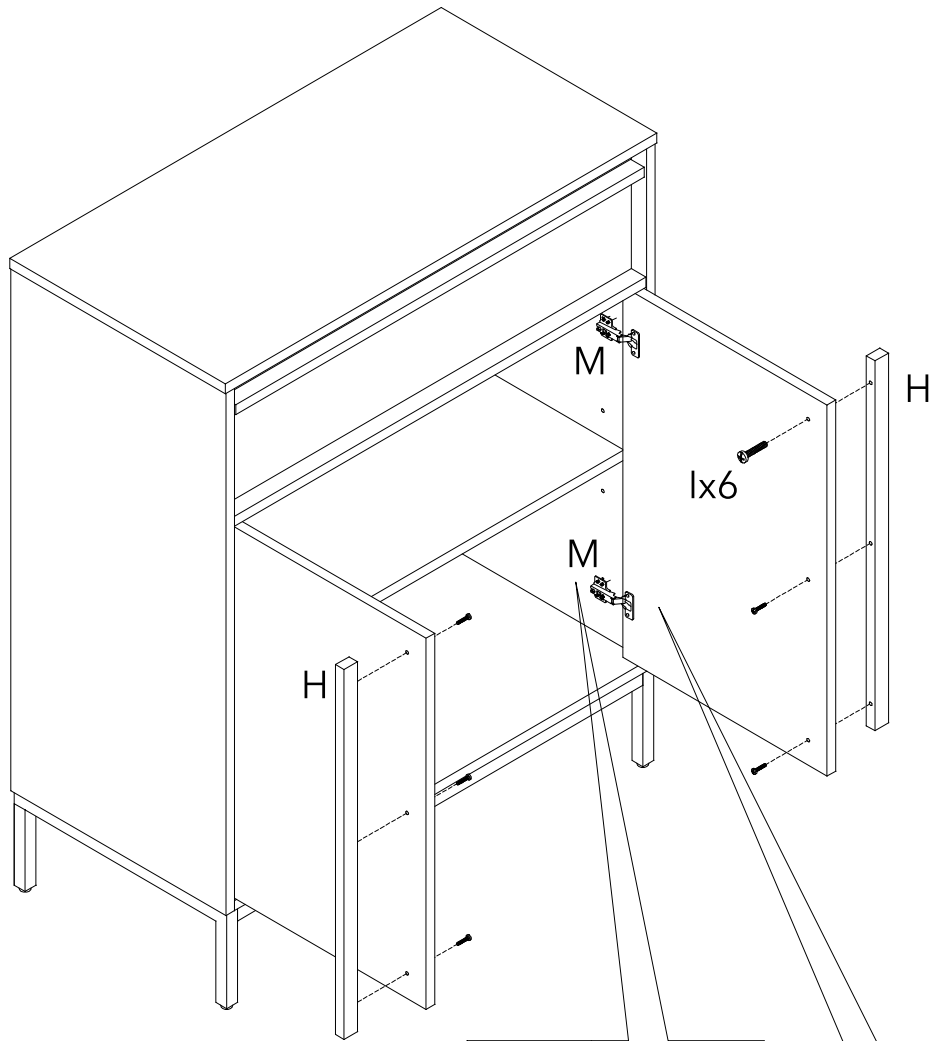


15

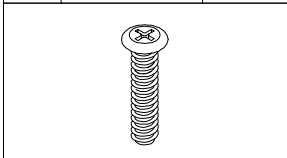


16

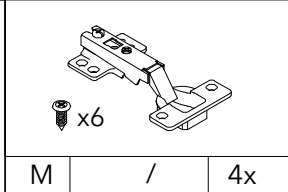
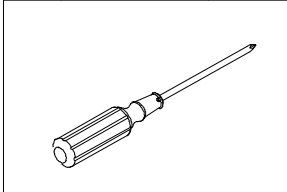




H	L=590	2x
---	-------	----



I	M4x20	6x
---	-------	----



M	/	4x
---	---	----

