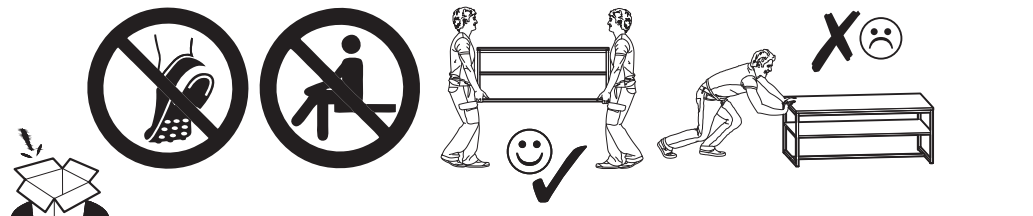
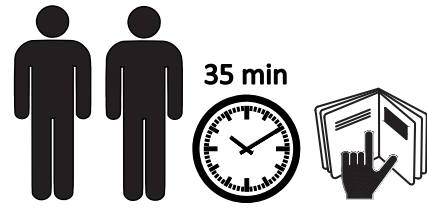
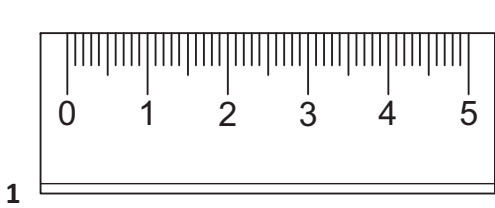
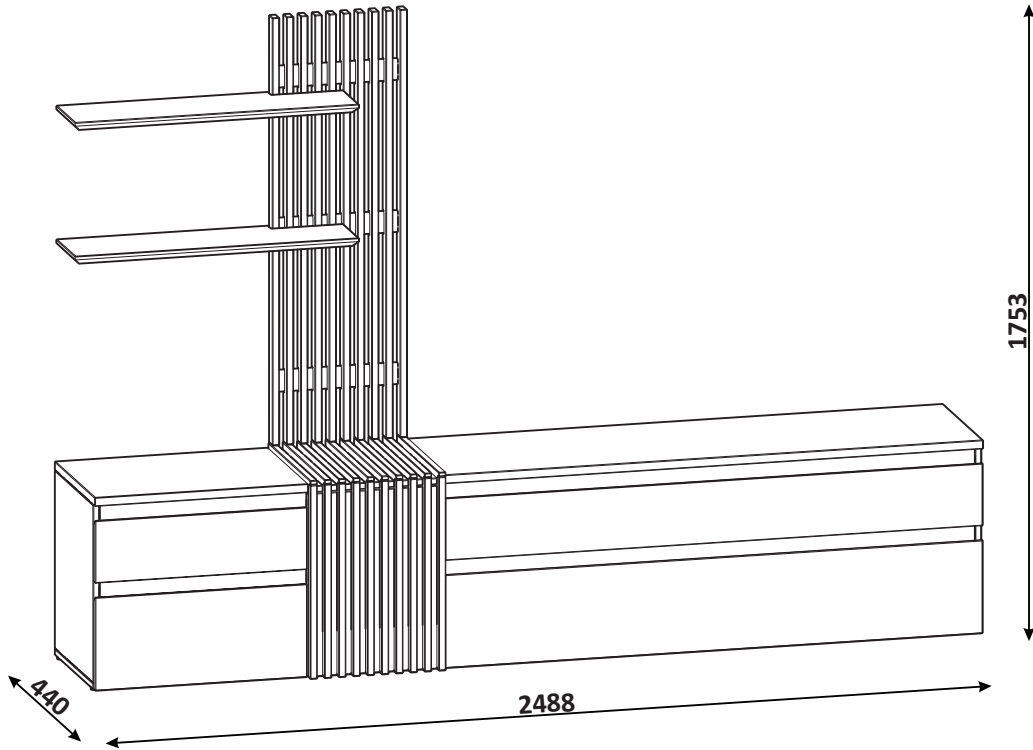
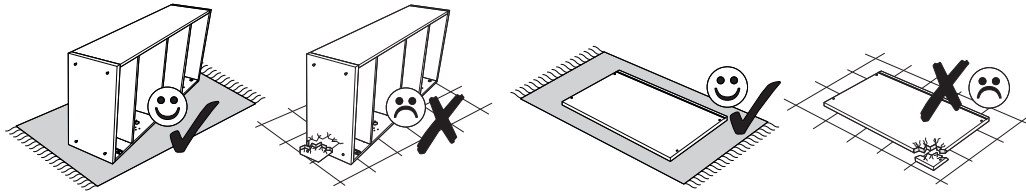
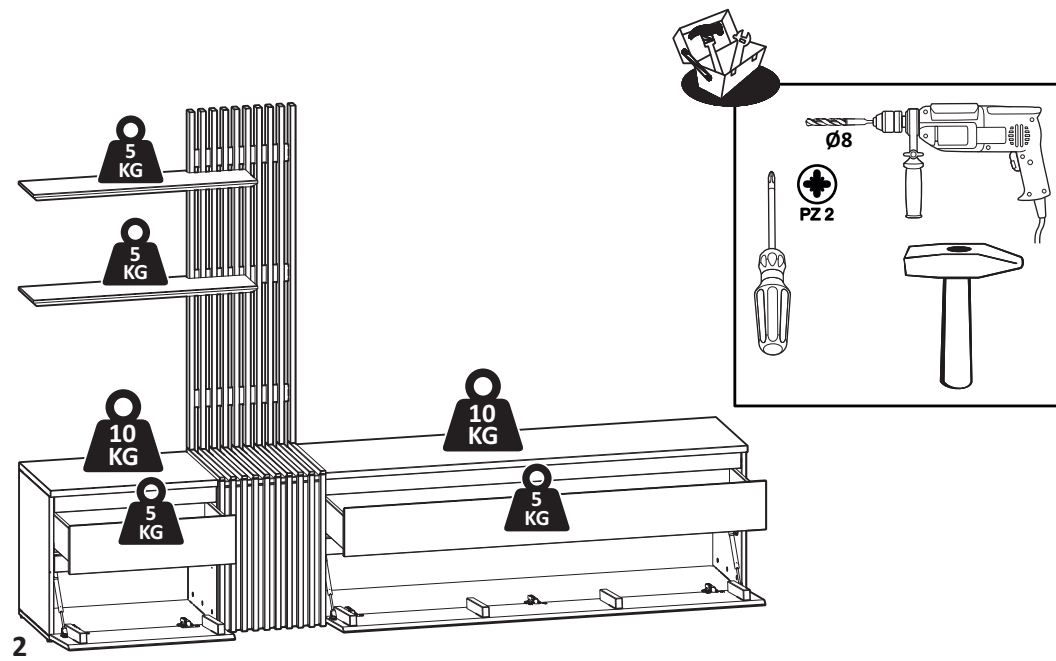
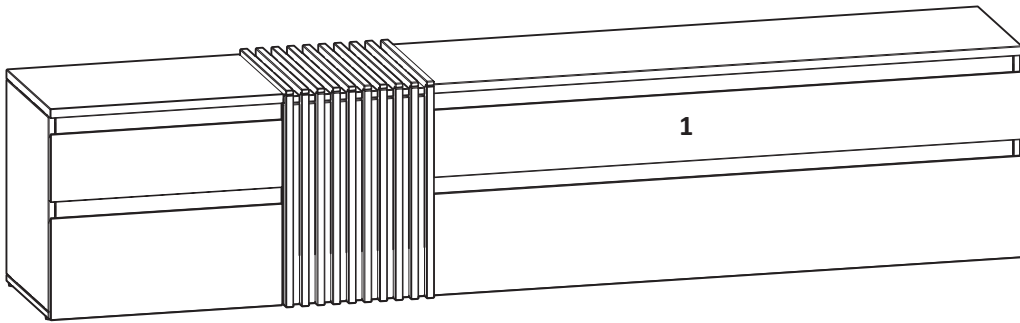
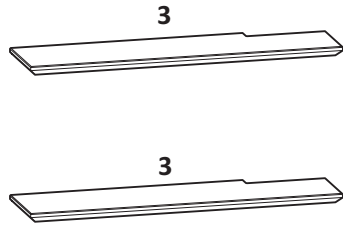
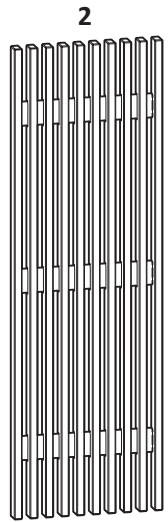


**2L2KT2B STUDIOLINE**  
27480160/01



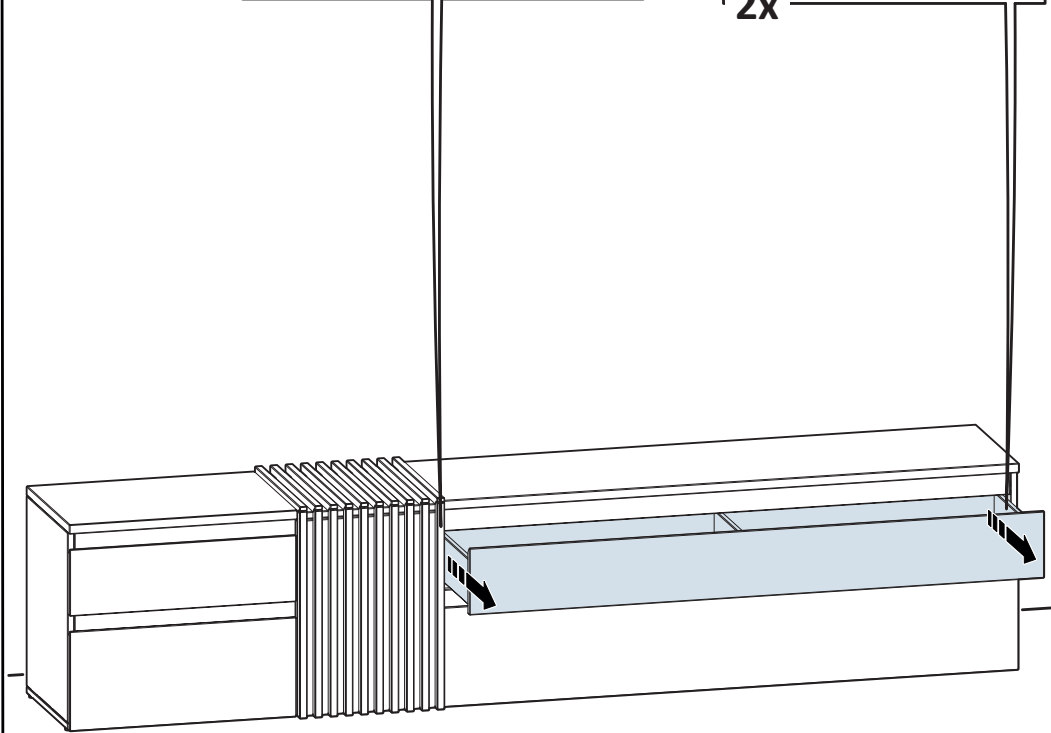
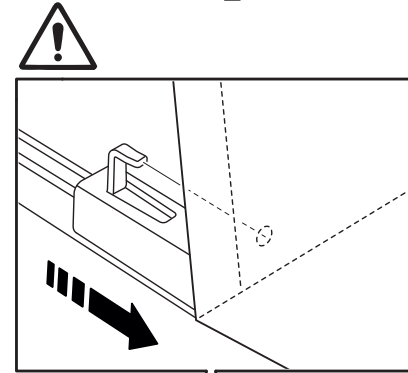
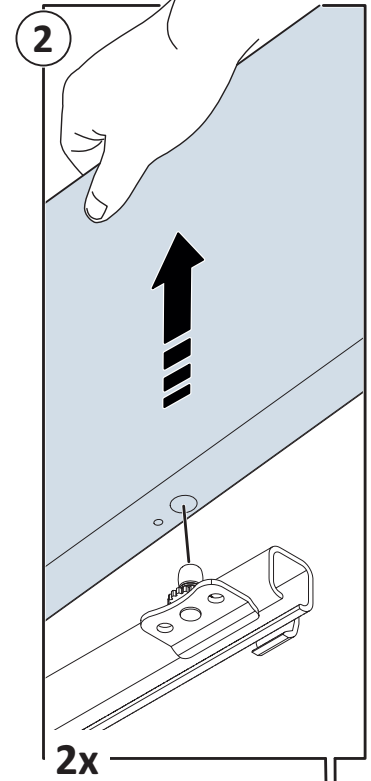
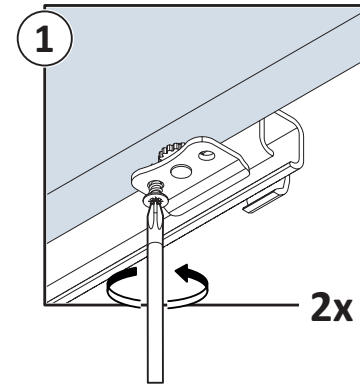
A.20 x1	A.25 x11	A.28 x11
Ø4.2x16	Ø4.2x51	Ø8x50
F.1 x1	G.1 x1	G.13 x1
F.73 x4		
GTV SMART		





No		Sizes	Coll
1	x1	2488x440x553	1,2
2	x1	1200x380x40	2,2
3	x1	800x200x25	2,2
			1,2

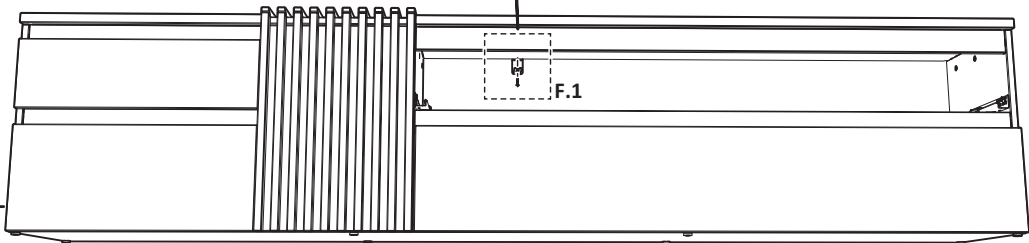
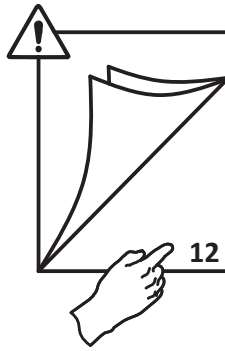
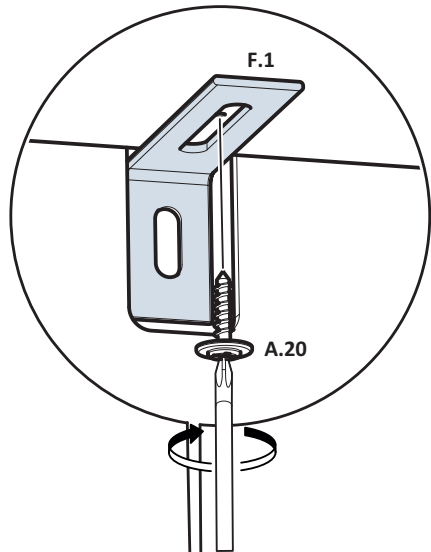
1



4

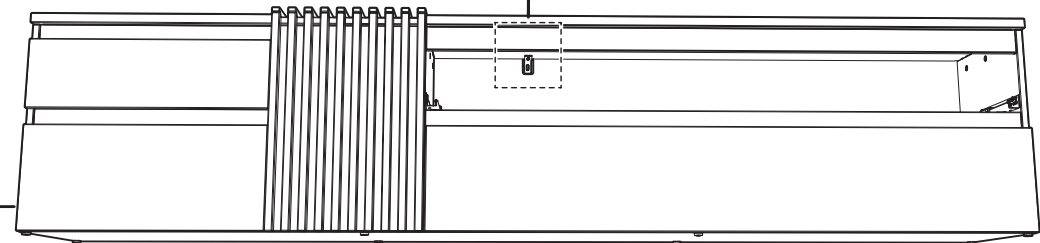
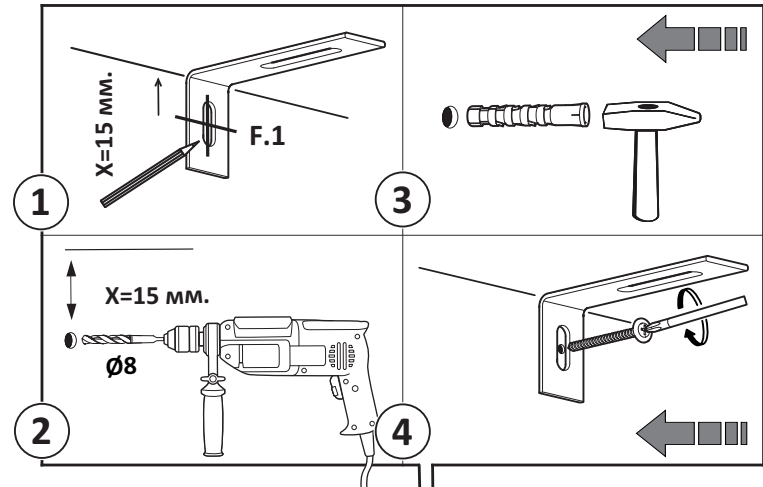
3

2



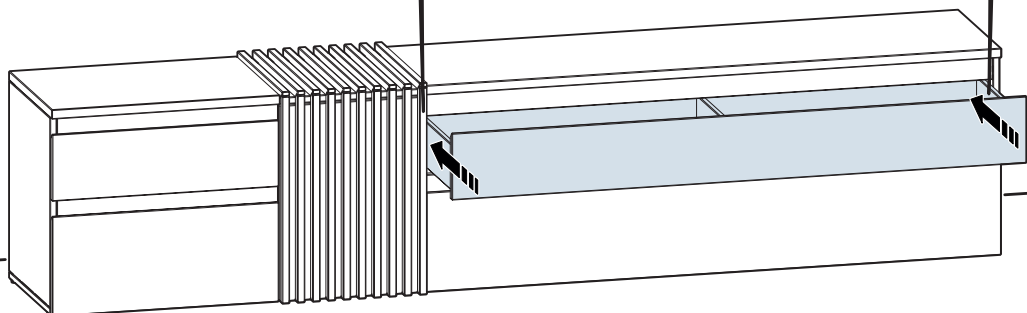
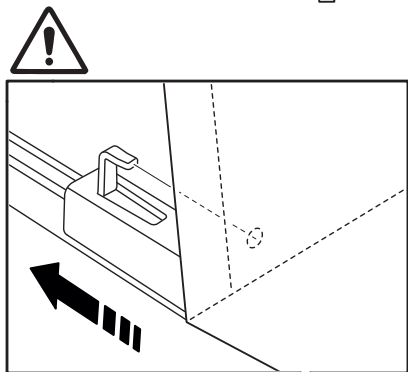
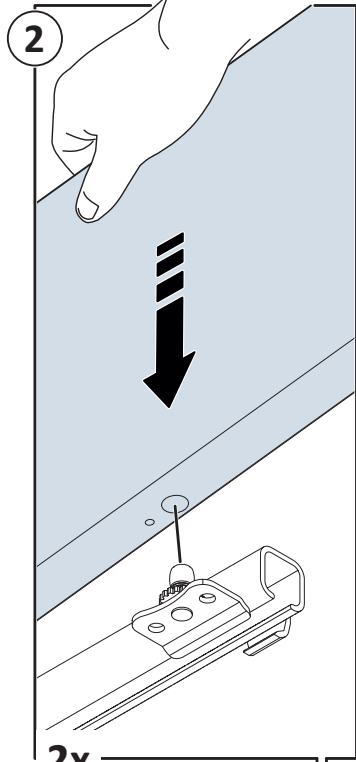
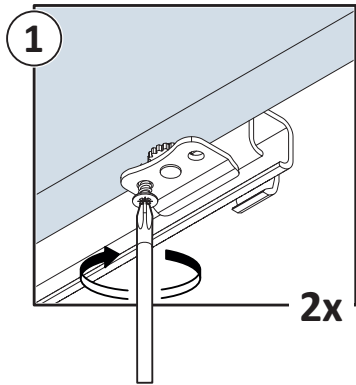
5

3

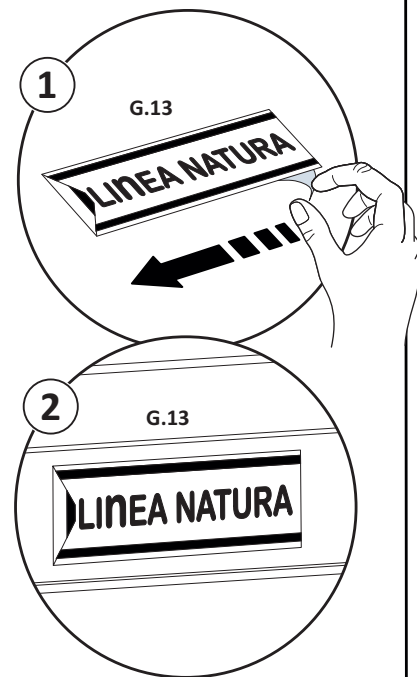
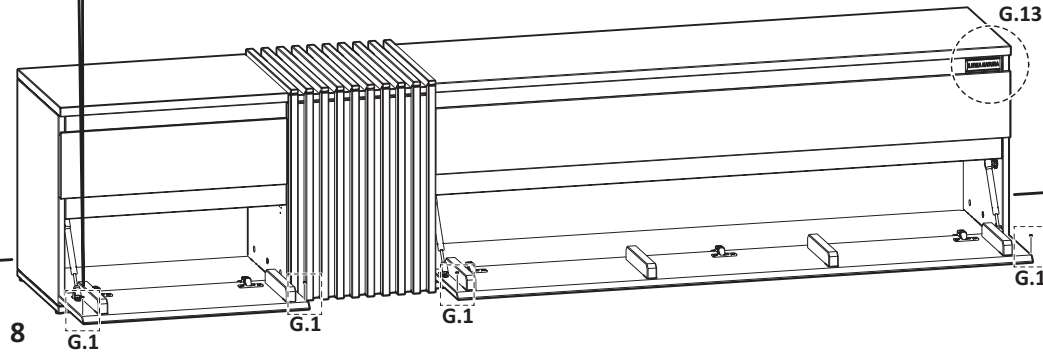
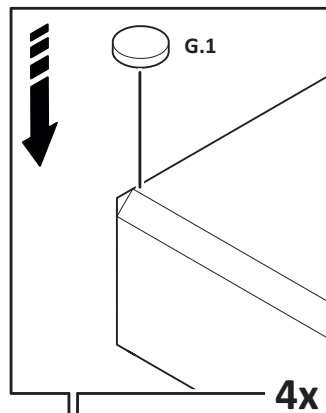


6

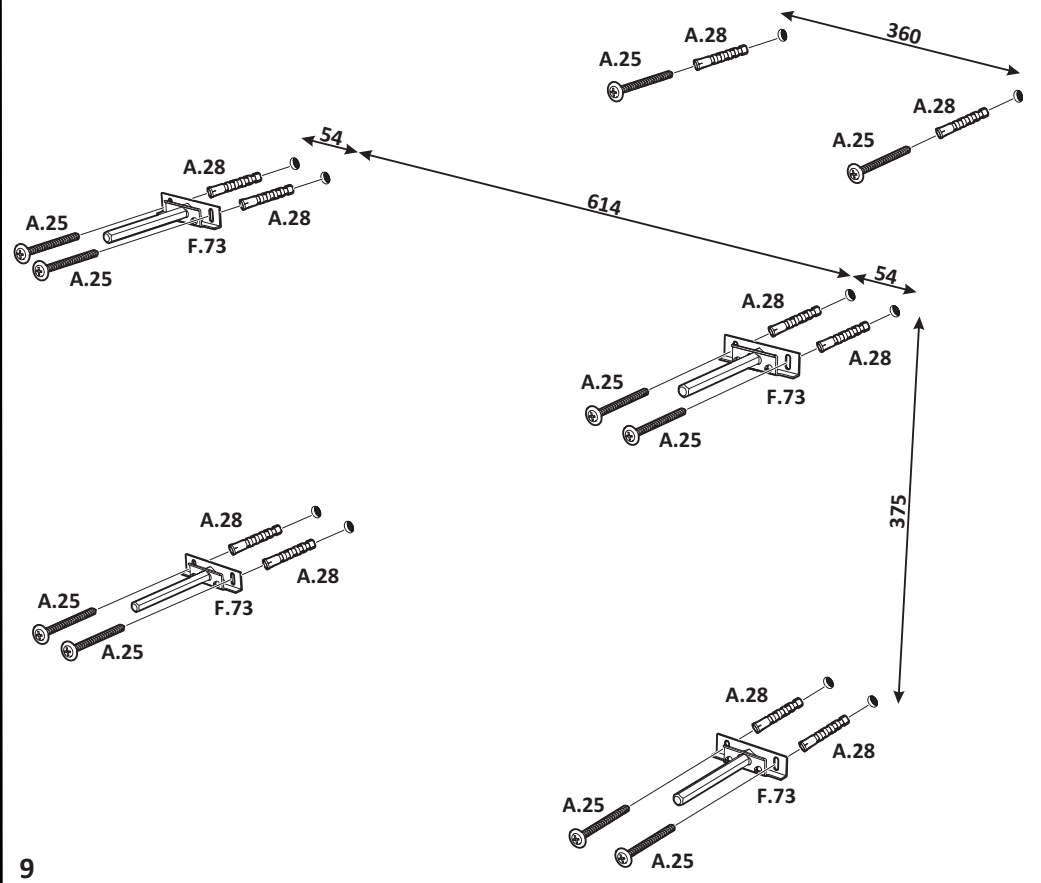
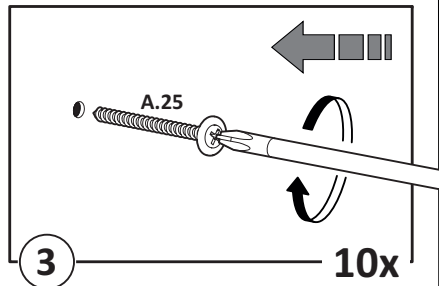
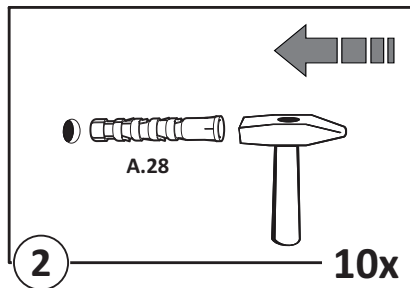
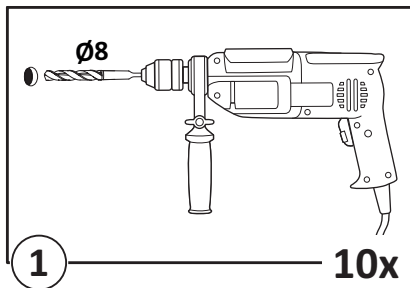
4



5

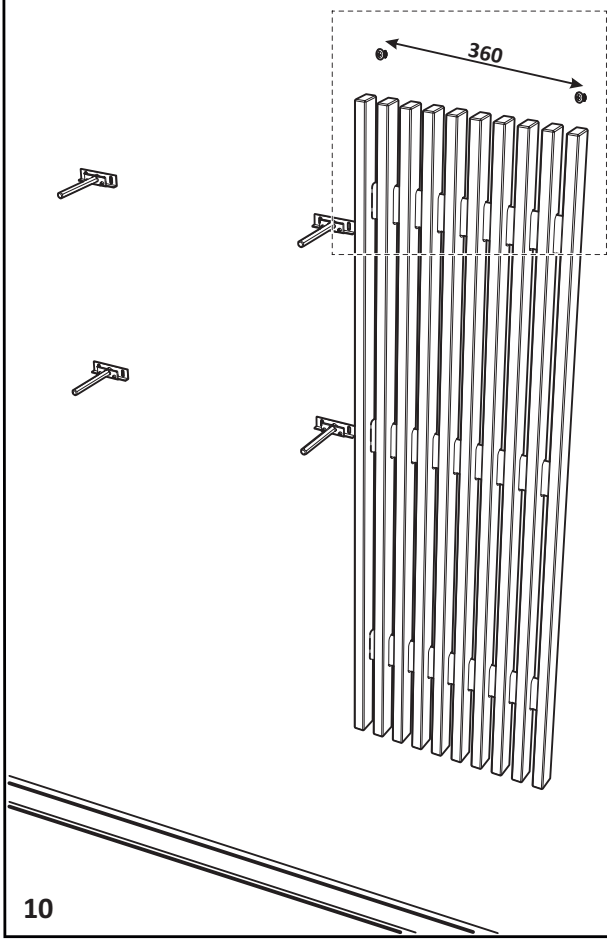
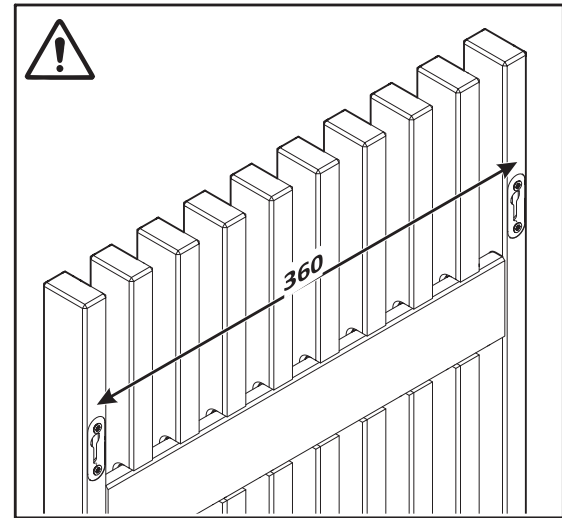


6



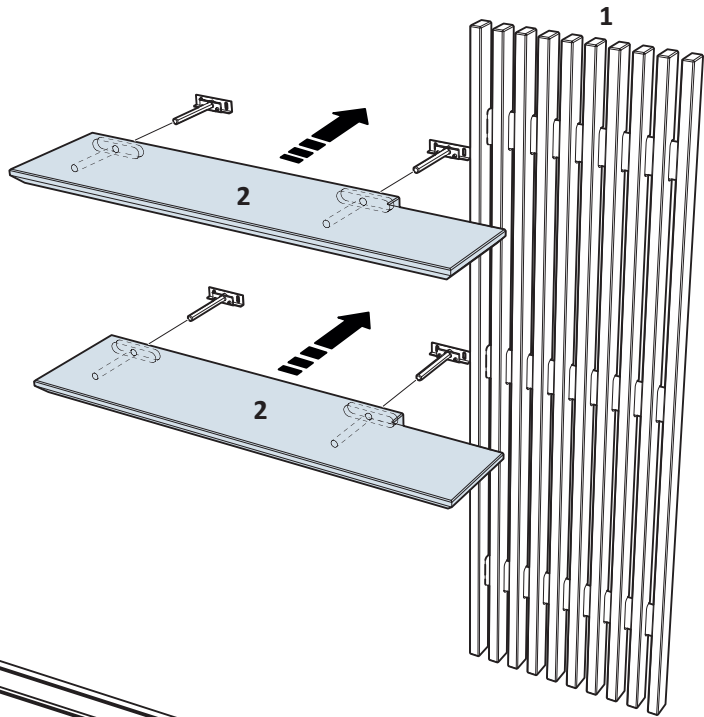
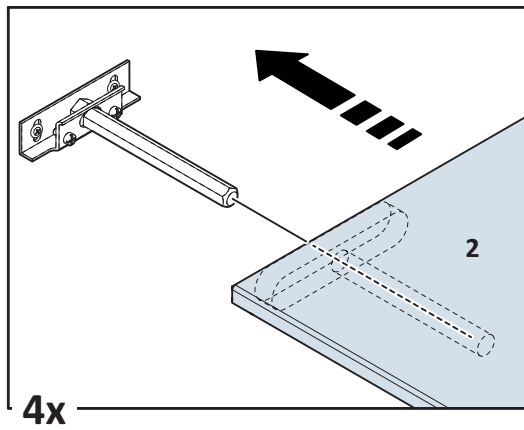
9

7

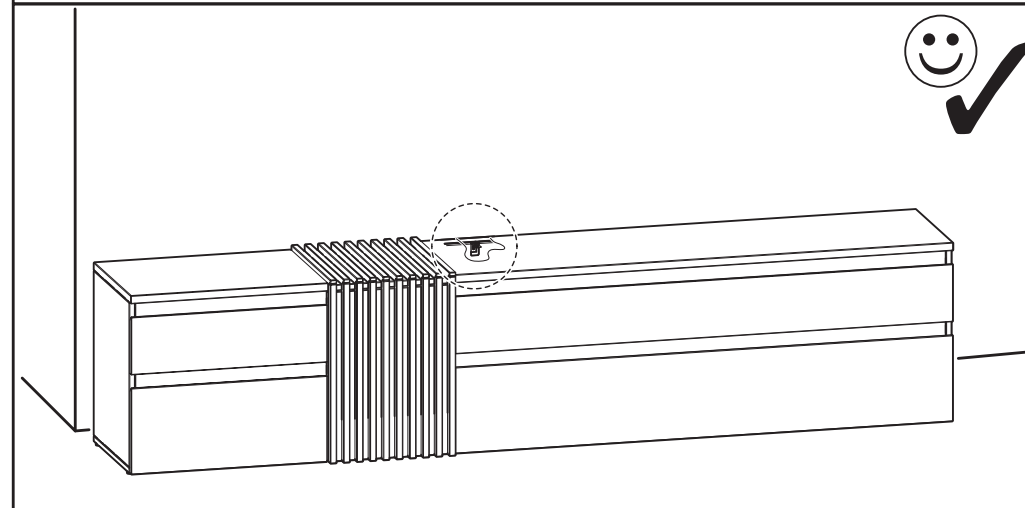
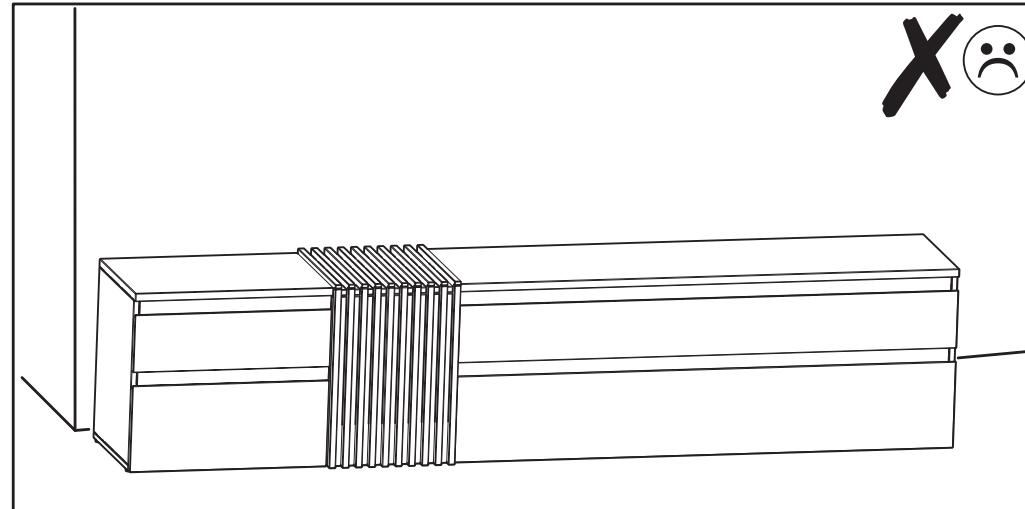
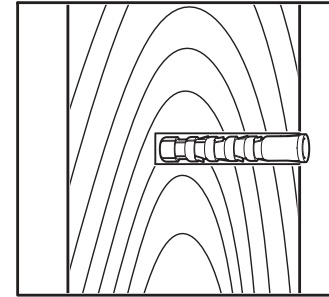
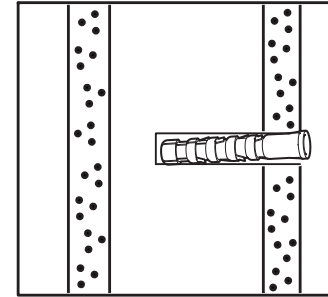
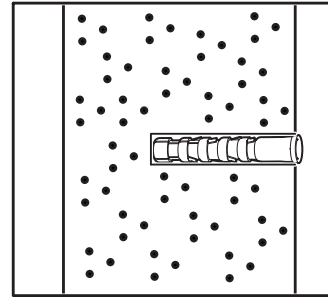


10

8



11



12