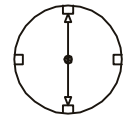
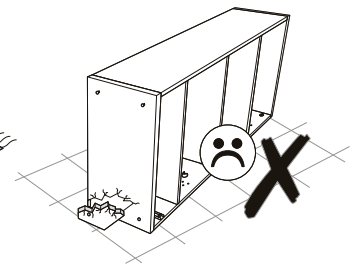
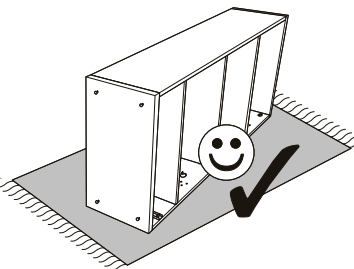
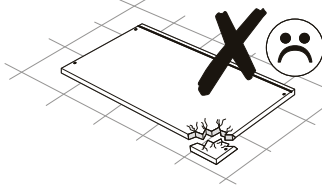
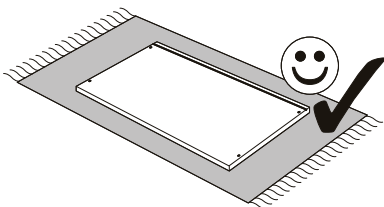
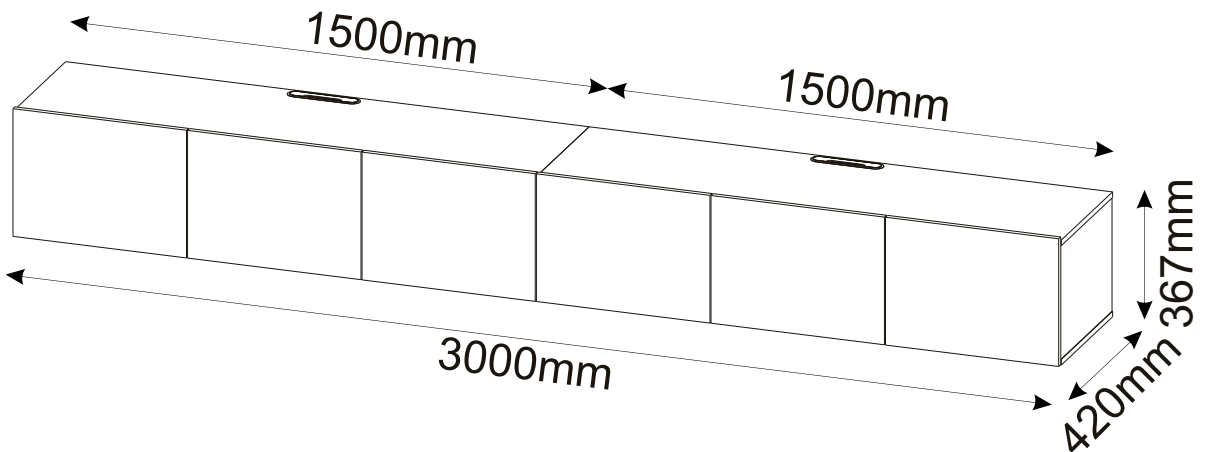
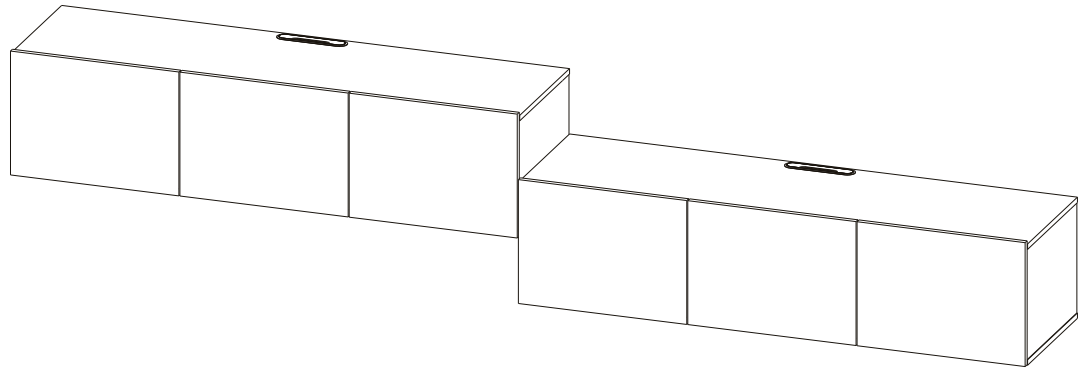
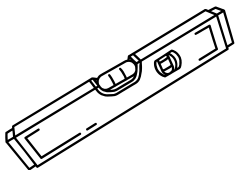
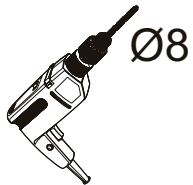
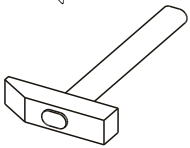
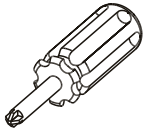
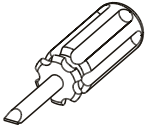
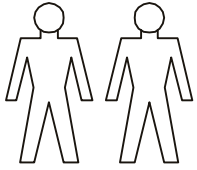






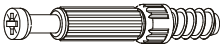


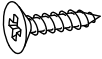

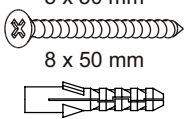
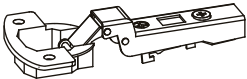
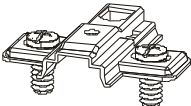
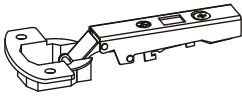

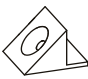
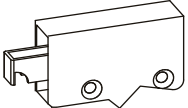
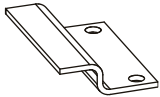

NEWNIQ Lowboard 6T

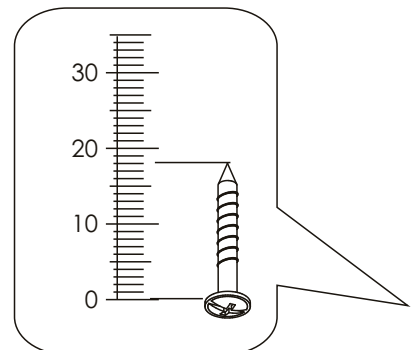
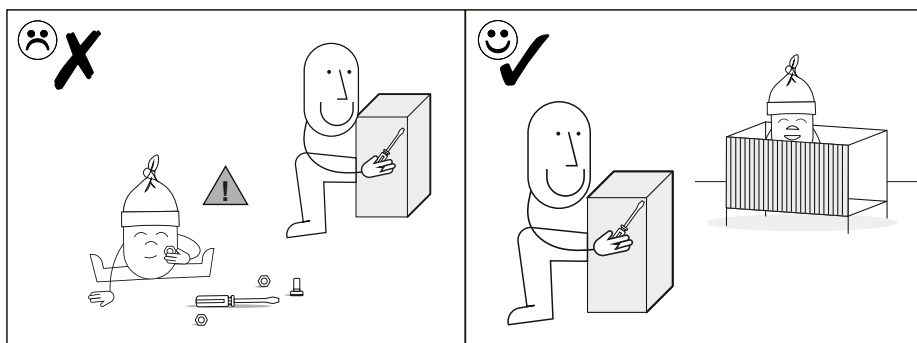
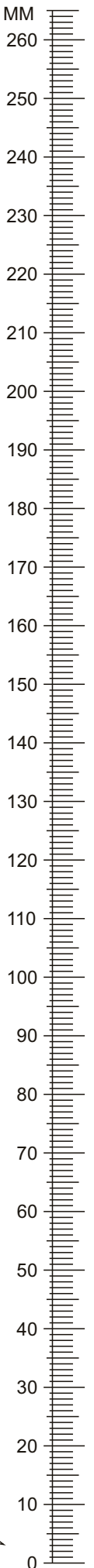
00030090/85
00030090/86
00030090/87




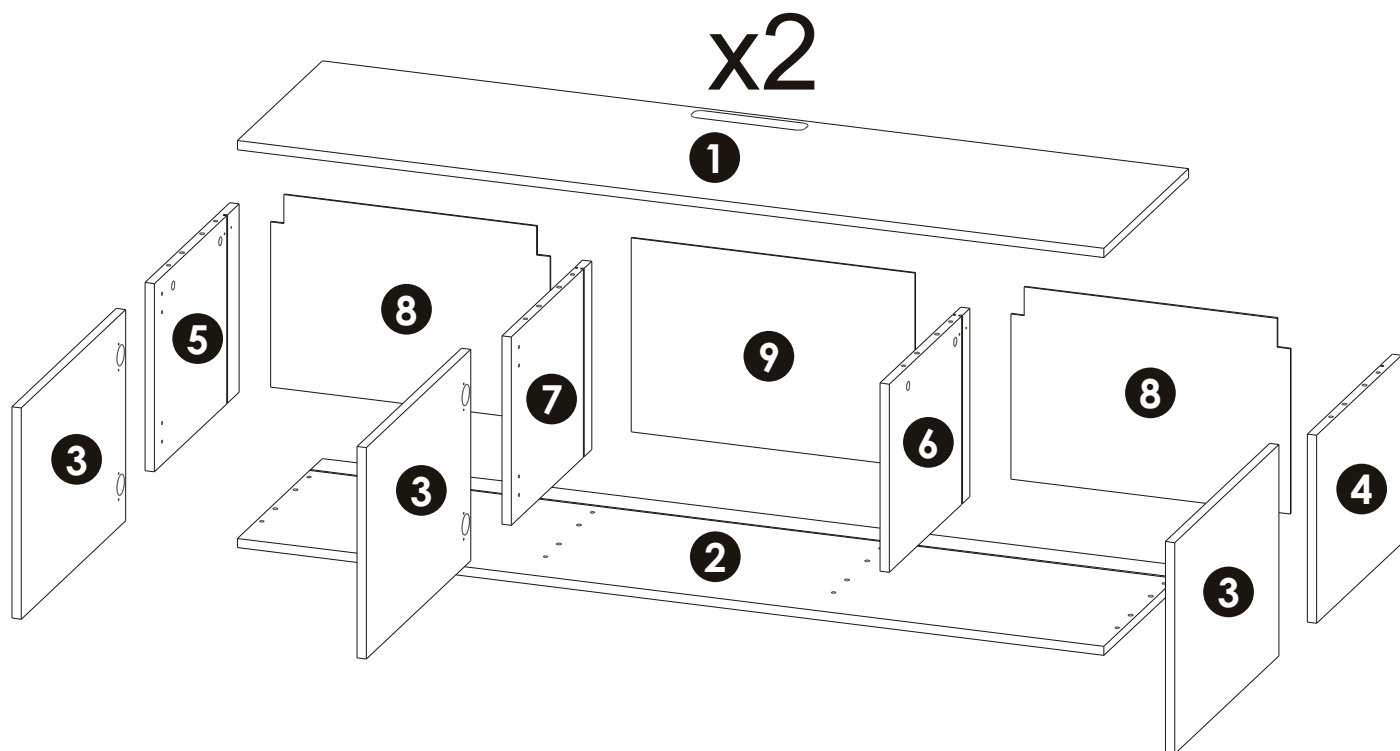
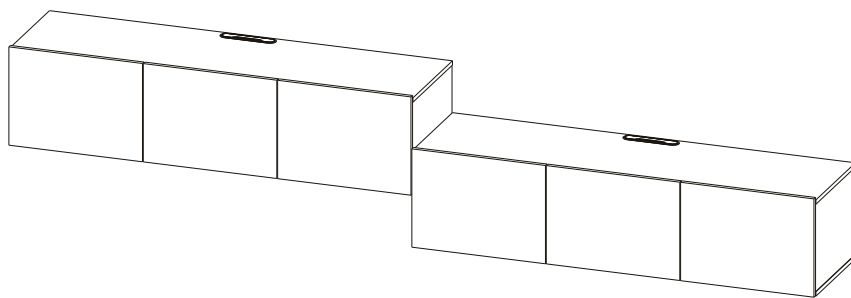
60
MIN

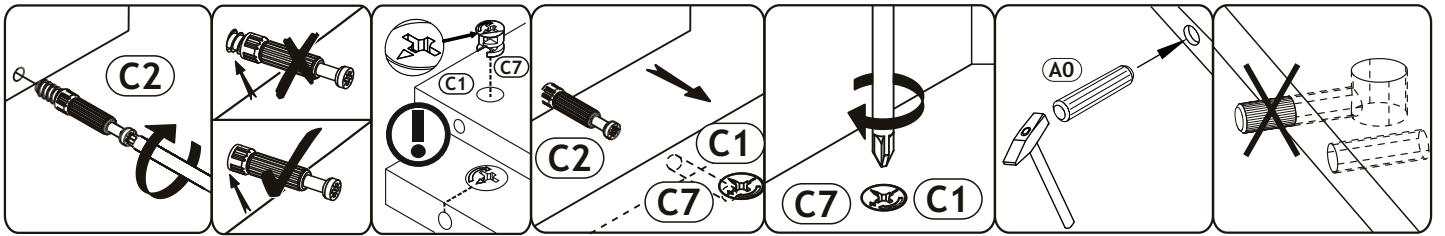


A0 8 x 30mm 	x32	B1 7x 50 mm 	x16	B5 Ø5mm 	x8
C0 	x16	C2 	x16	C7 16mm 	x16
D0 3 x 15 mm 	x36	D10 4 x 16 mm 	x24	D13 4 x 30 mm 	x16
E0 5 x 50 mm 8 x 50 mm 	x16	J1 	x4	J3 	x12
J10 	x8	K 4mm 	x1	M1 	x36
P4 	x8	P5 	x8	P38 	x2
LOGO...		x1			

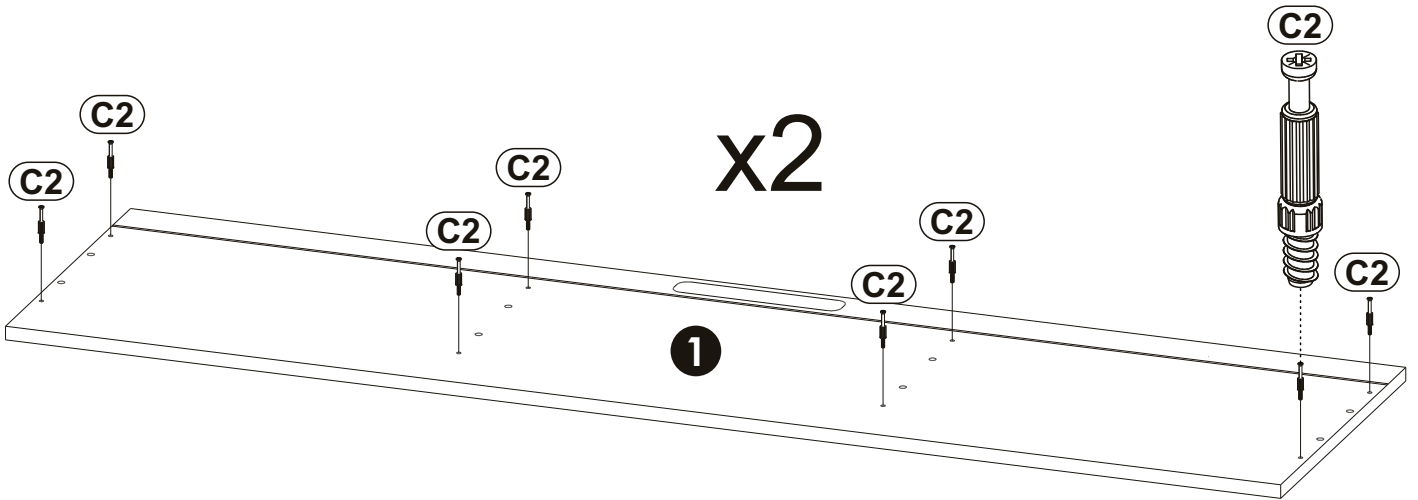
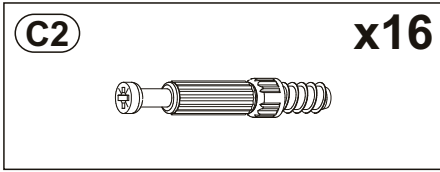


1	1500	404	16	x2	1/2	2/2
2	1500	404	16	x2	1/2	2/2
3	366	497	16	x6	1/2	2/2
4	326	404	16	x2	1/2	2/2
5	326	404	16	x2	1/2	2/2
6	326	384	16	x2	1/2	2/2
7	326	384	16	x2	1/2	2/2
8	336	485	3	x4	1/2	2/2
9	336	491	3	x2	1/2	2/2
					3/3	

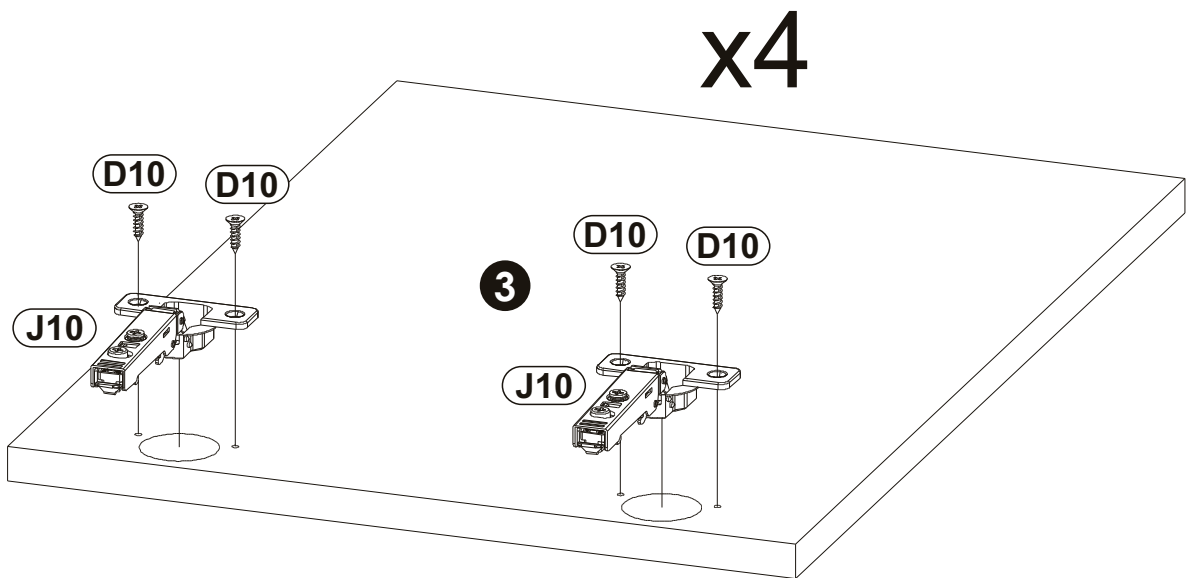
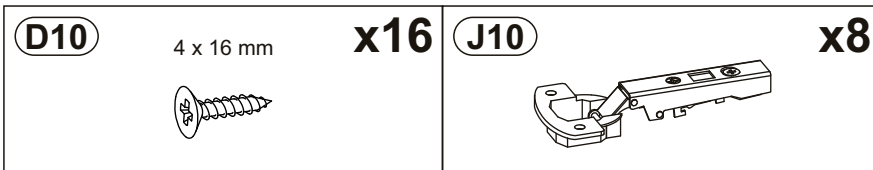




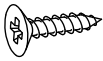
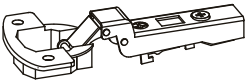
1

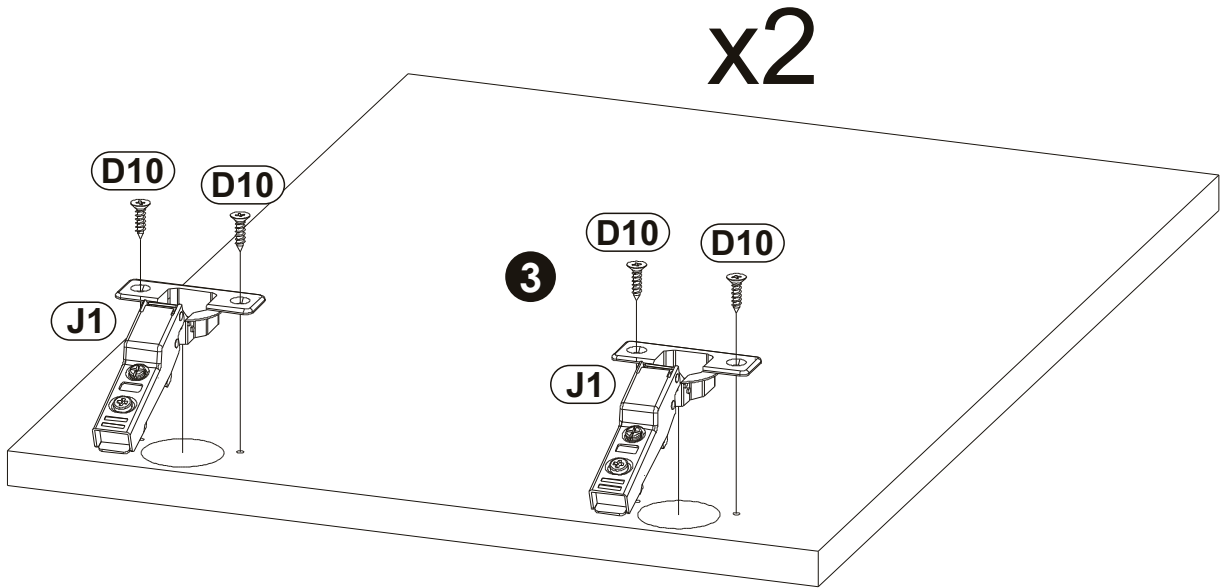


2




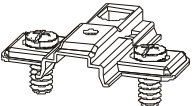
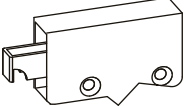


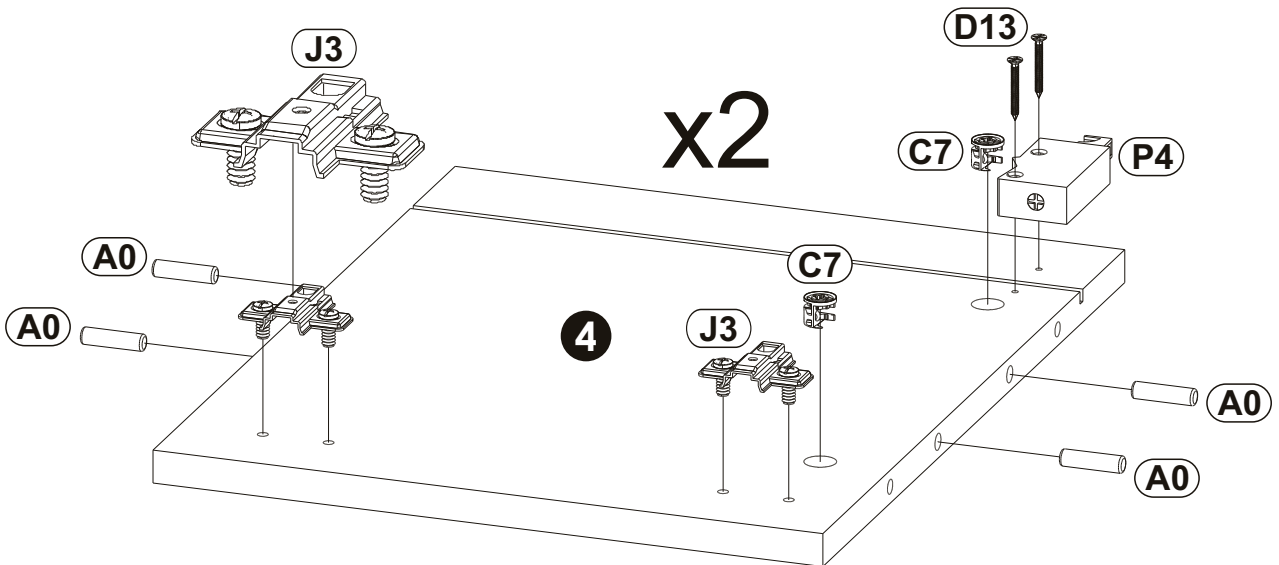
3

D10	4 x 16 mm	x8	J1	x4
				




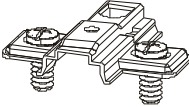
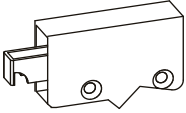


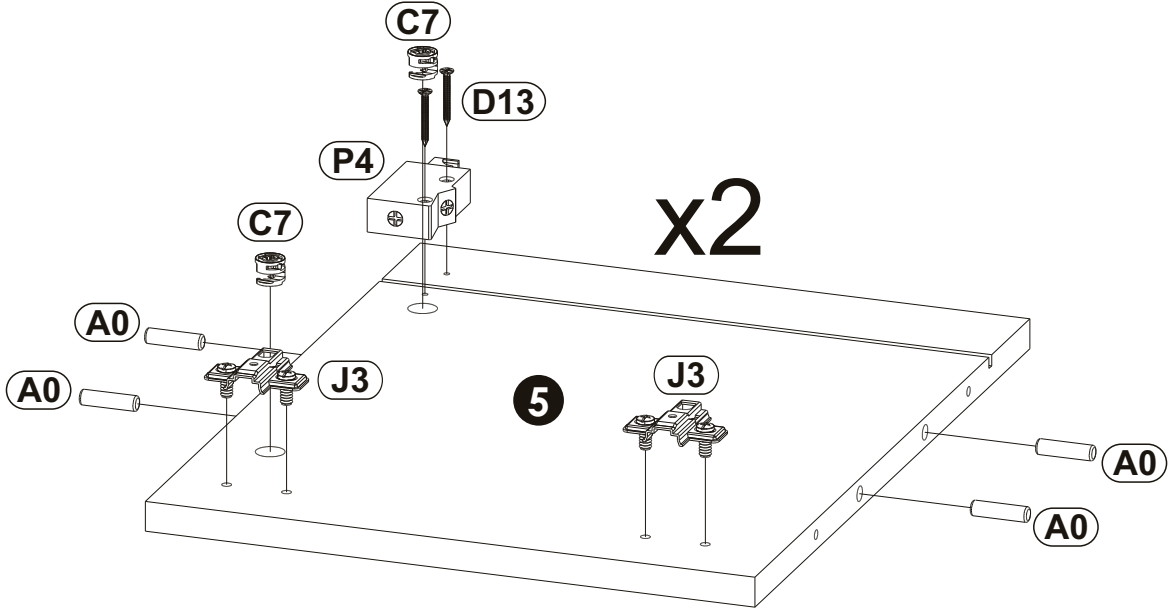
4

A0	8 x 30mm	x8	C7	16mm	x4	D13	4 x 30 mm	x4
								
J3	x4	P4	x2					
								




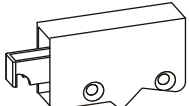


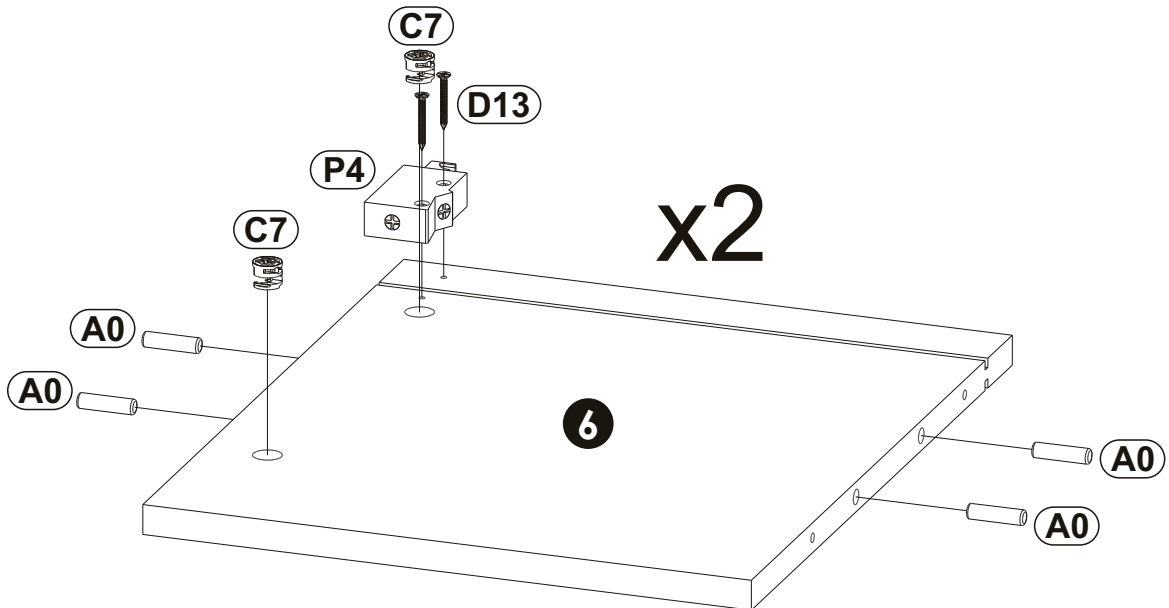
5

A0 8 x 30mm 	x8	C7 16mm 	x4	D13 4 x 30 mm 	x4
J3 	x4	P4 	x2		




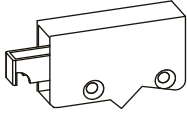


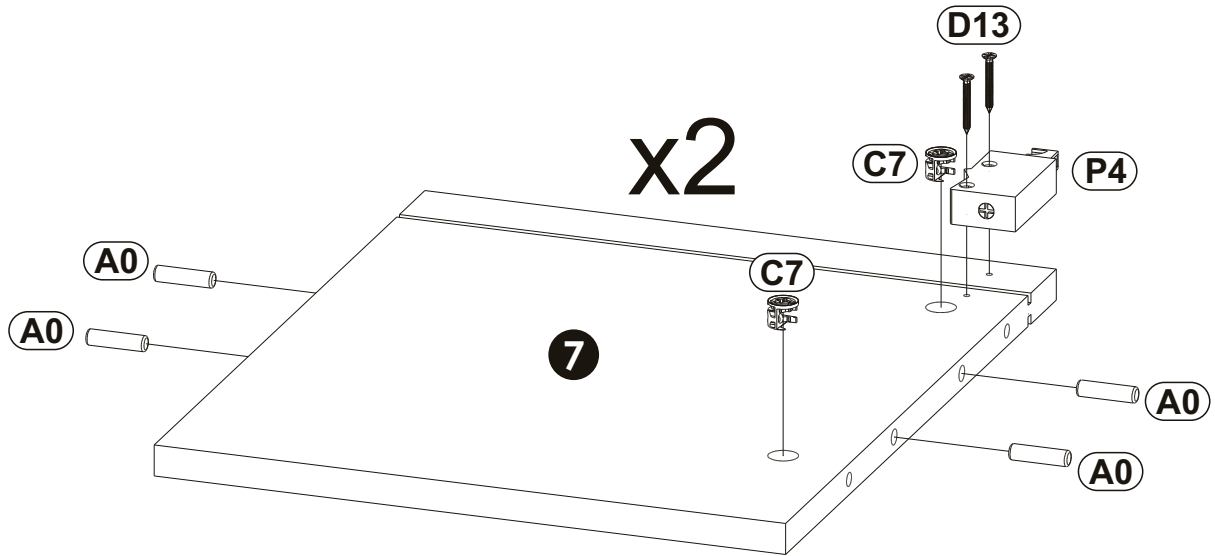
6

A0 8 x 30mm 	x8	C7 16mm 	x4	D13 4 x 30 mm 	x4
P4 	x2				

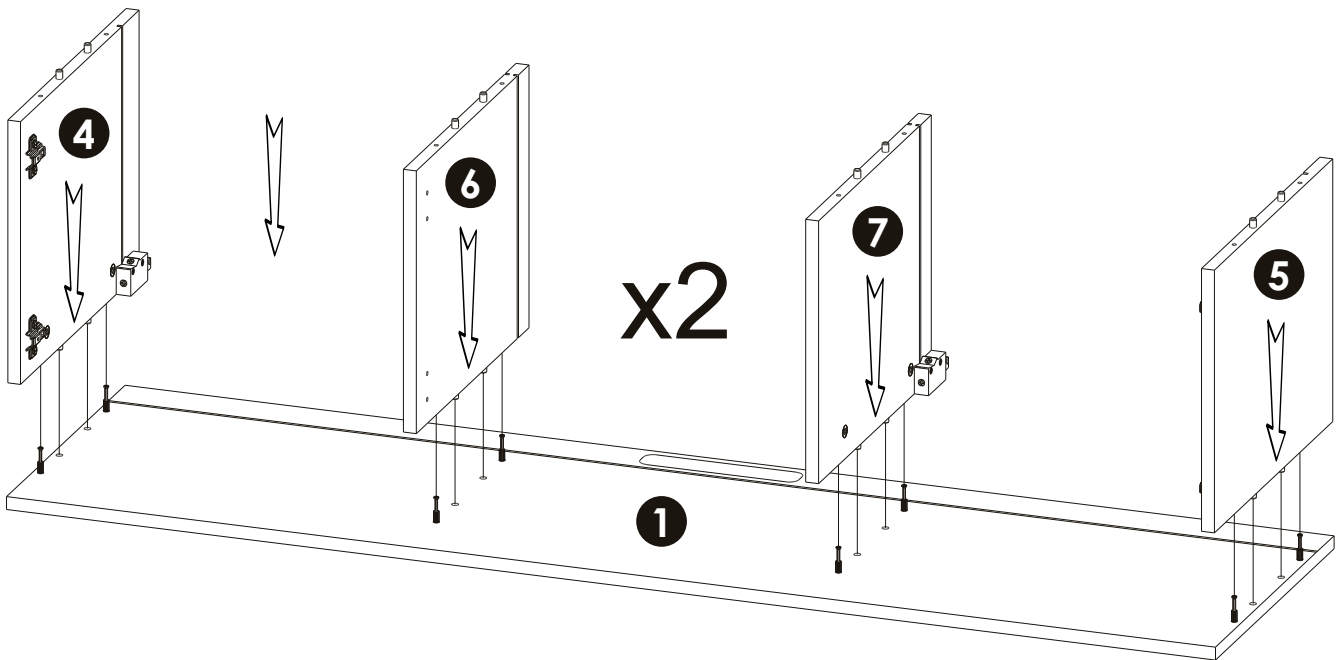
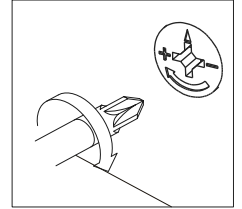


7

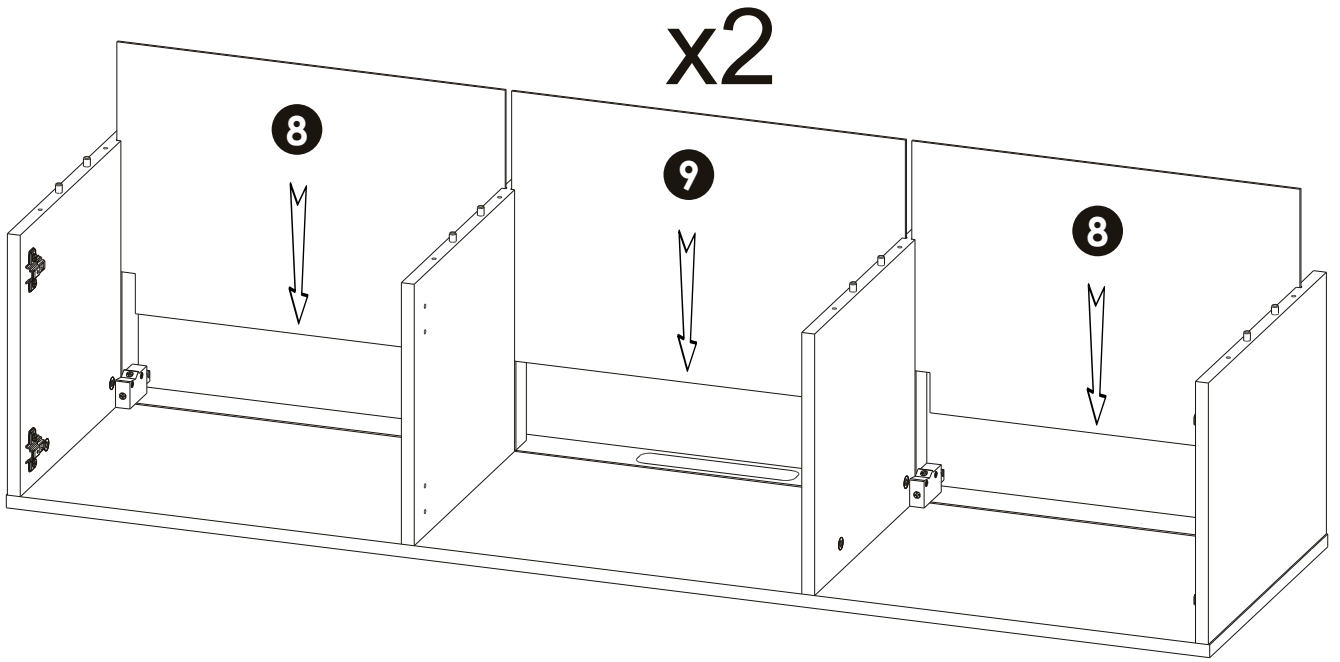
A0 8 x 30mm 	x8	C7 16mm 	x4	D13 4 x 30 mm 	x4
P4 	x2				



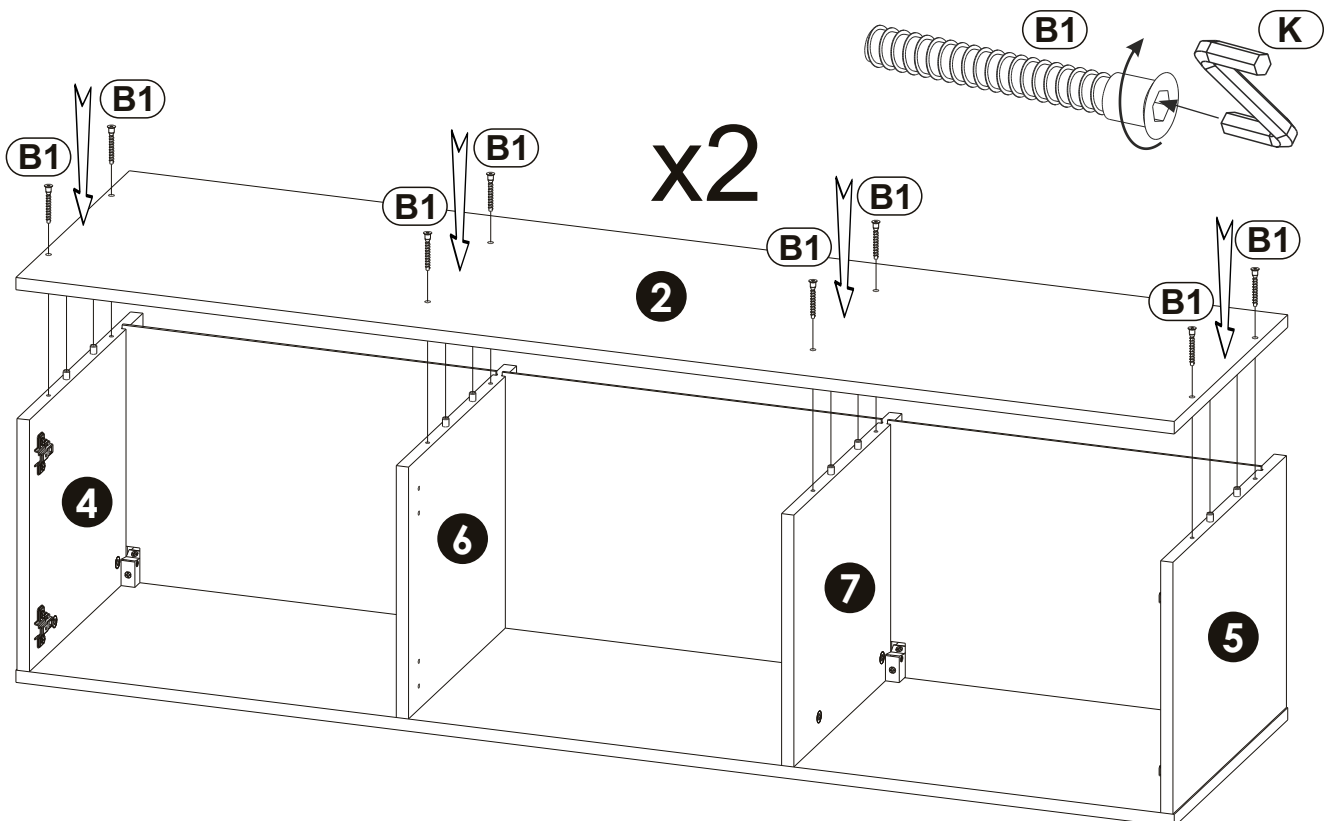
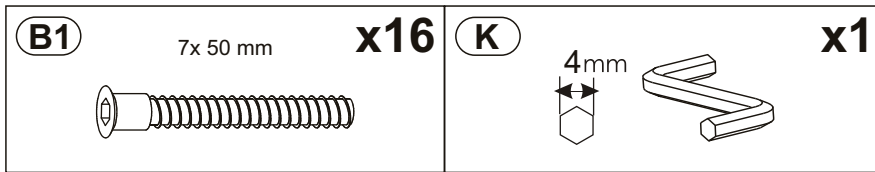
8




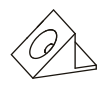
9

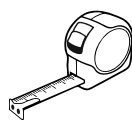
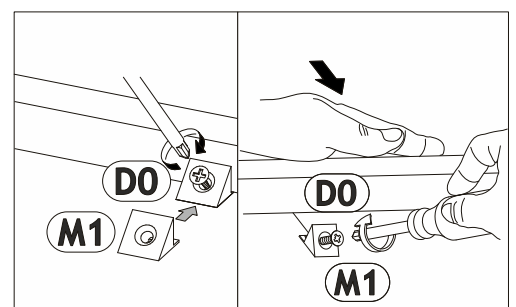
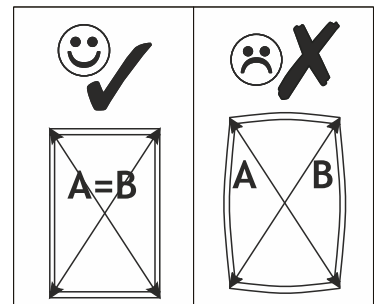


10

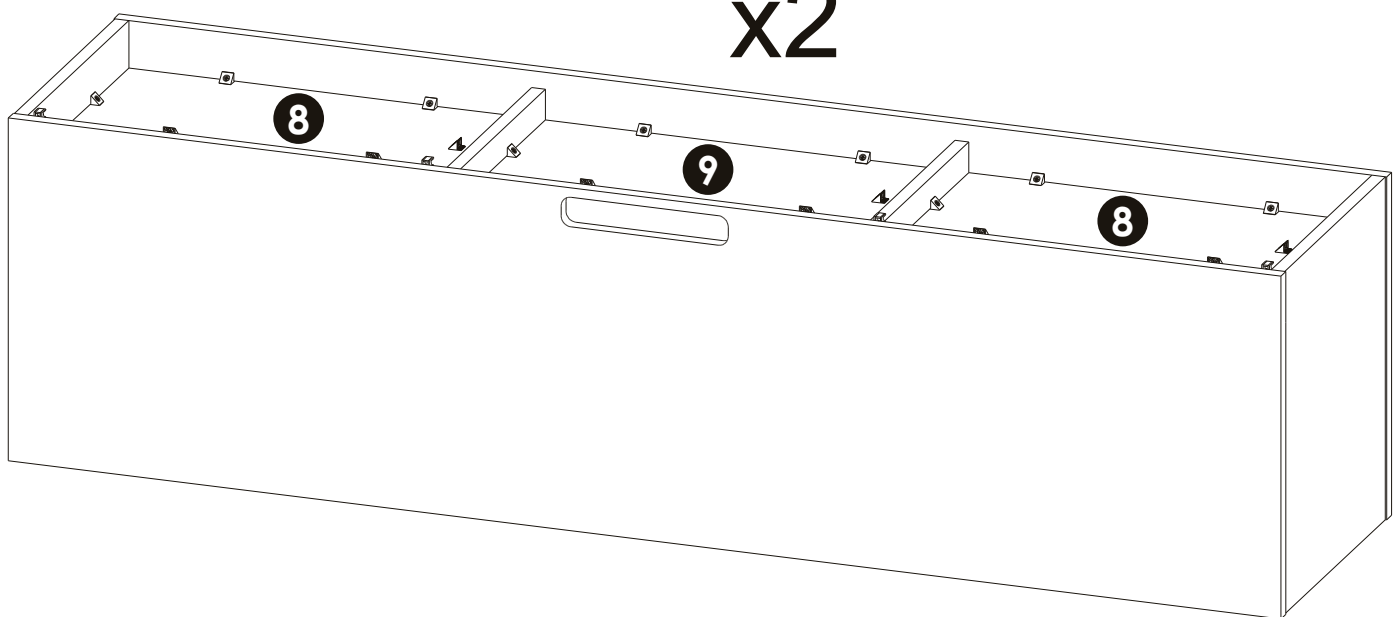


11

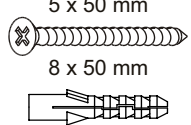
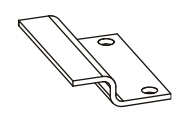
(D0)	3 x 15 mm	x36	(M1)		x36
					

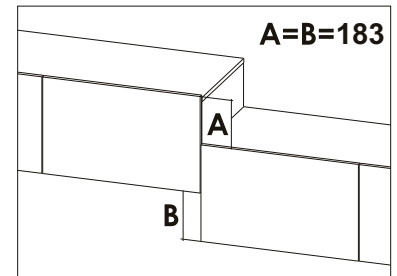
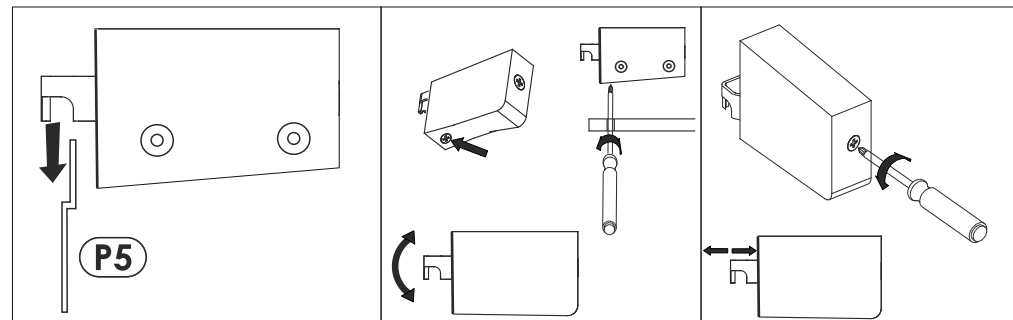
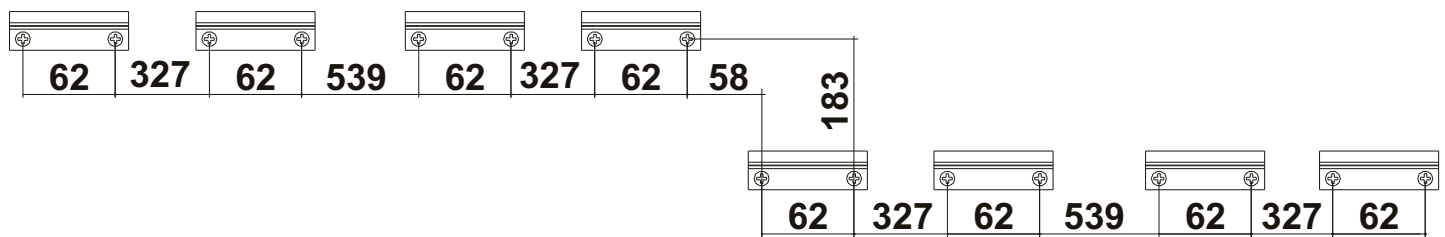
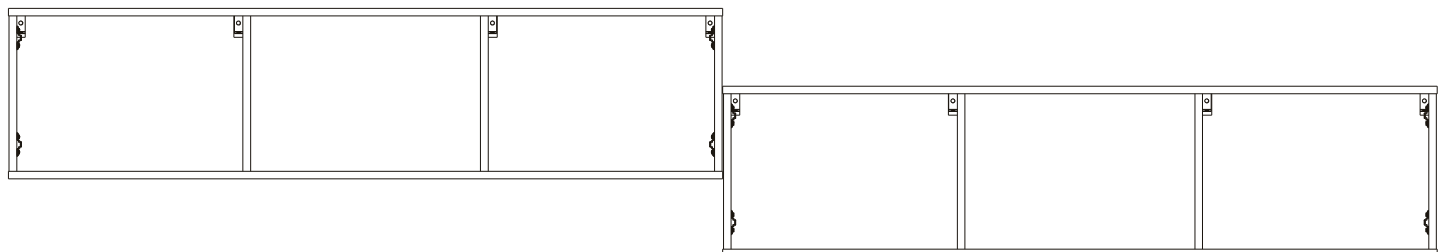
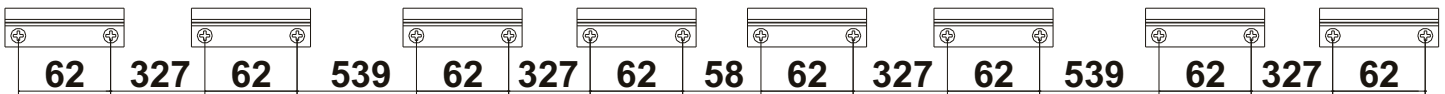
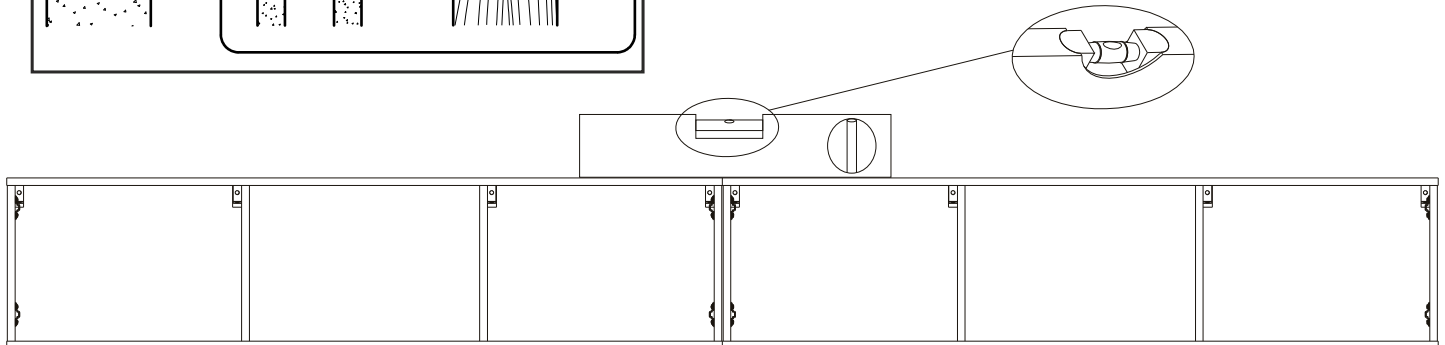
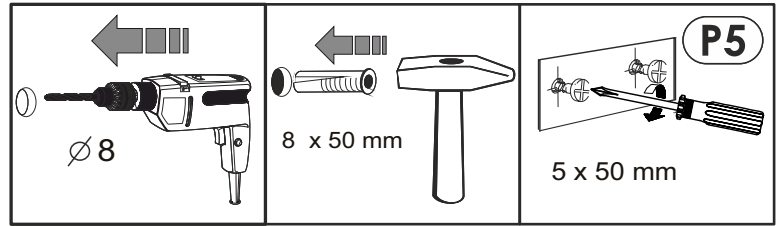
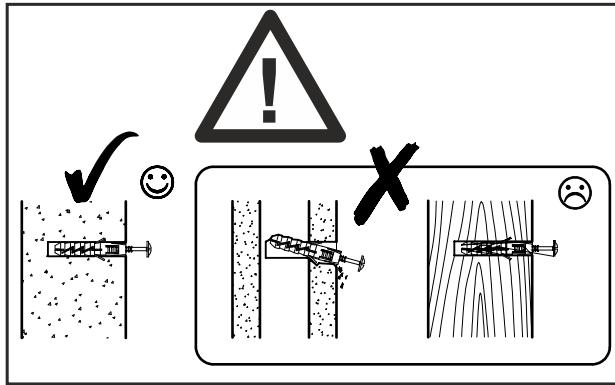


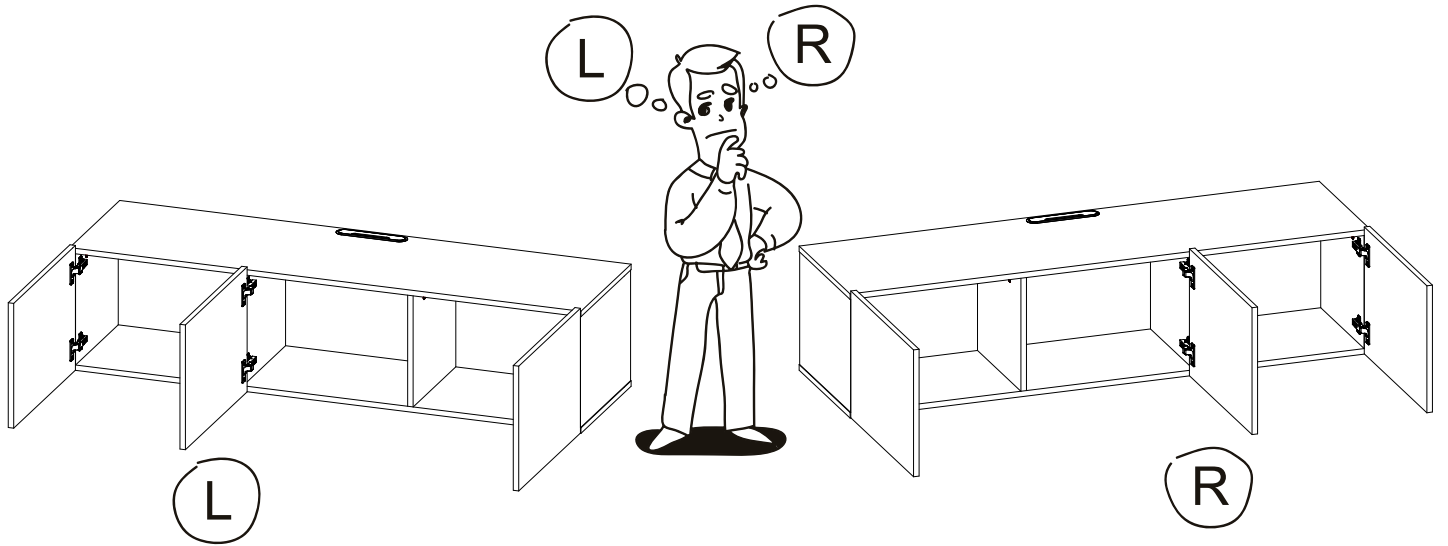
x2



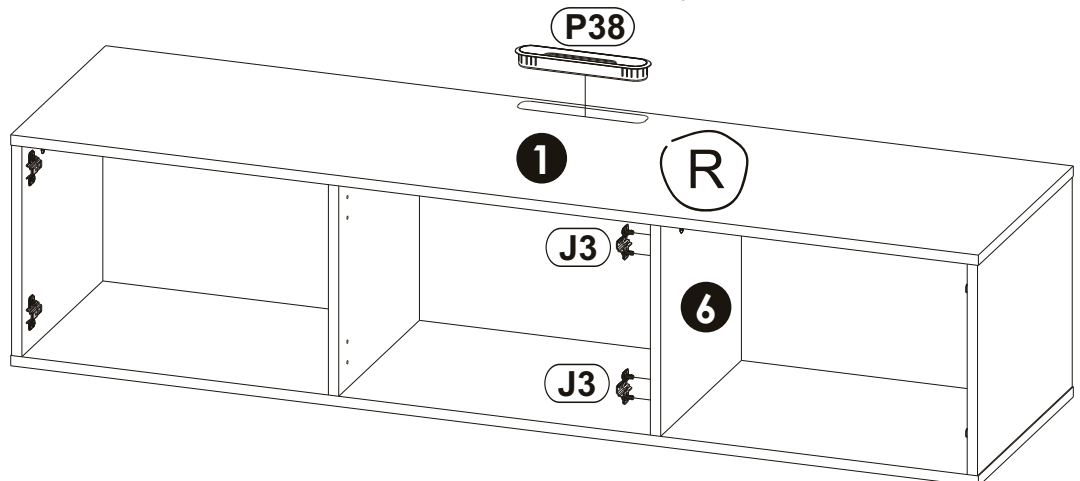
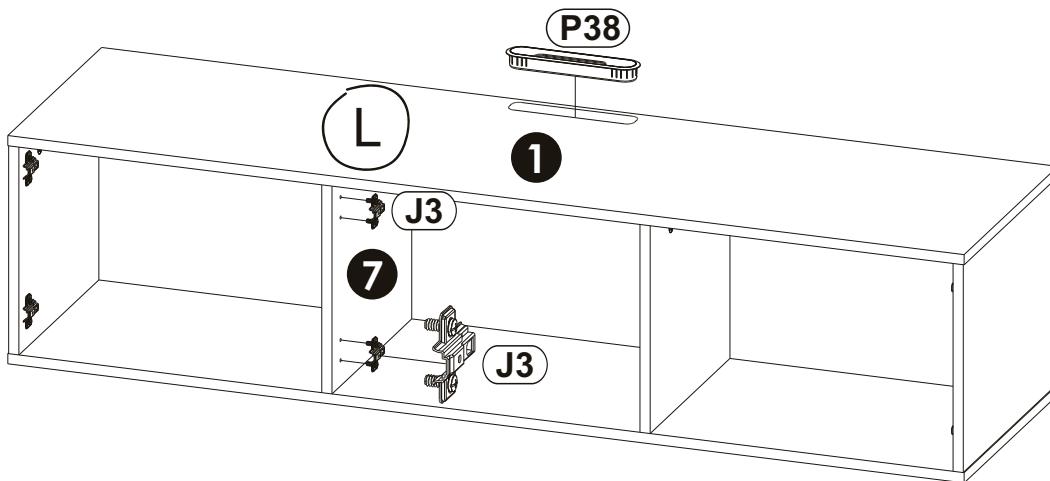
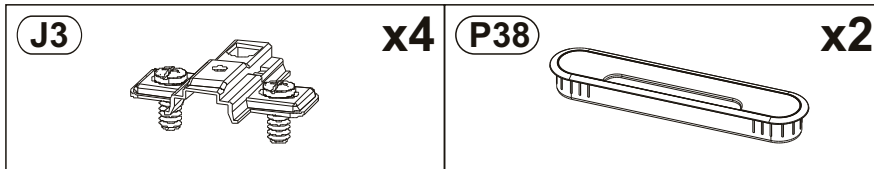
12

E0	5 x 50 mm 8 x 50 mm 	x16	P5		x8
-----------	---	------------	-----------	---	-----------

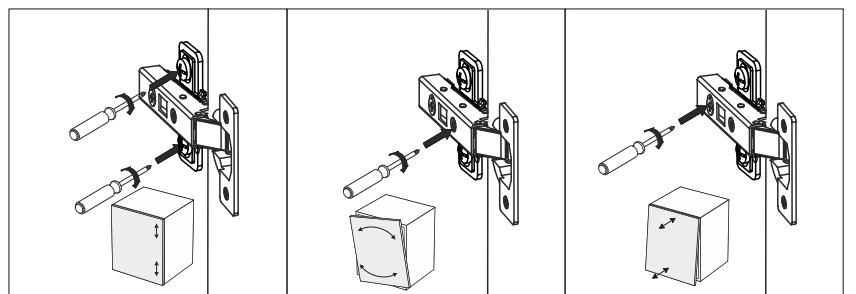
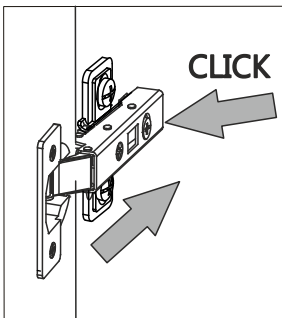
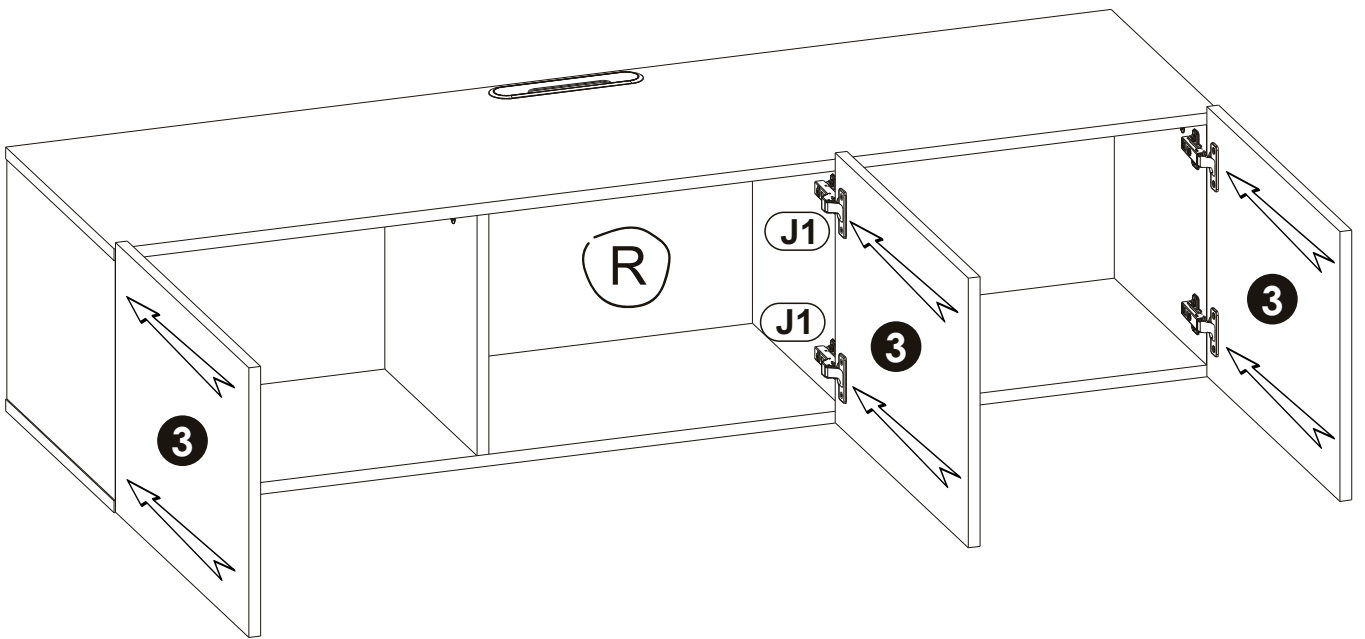
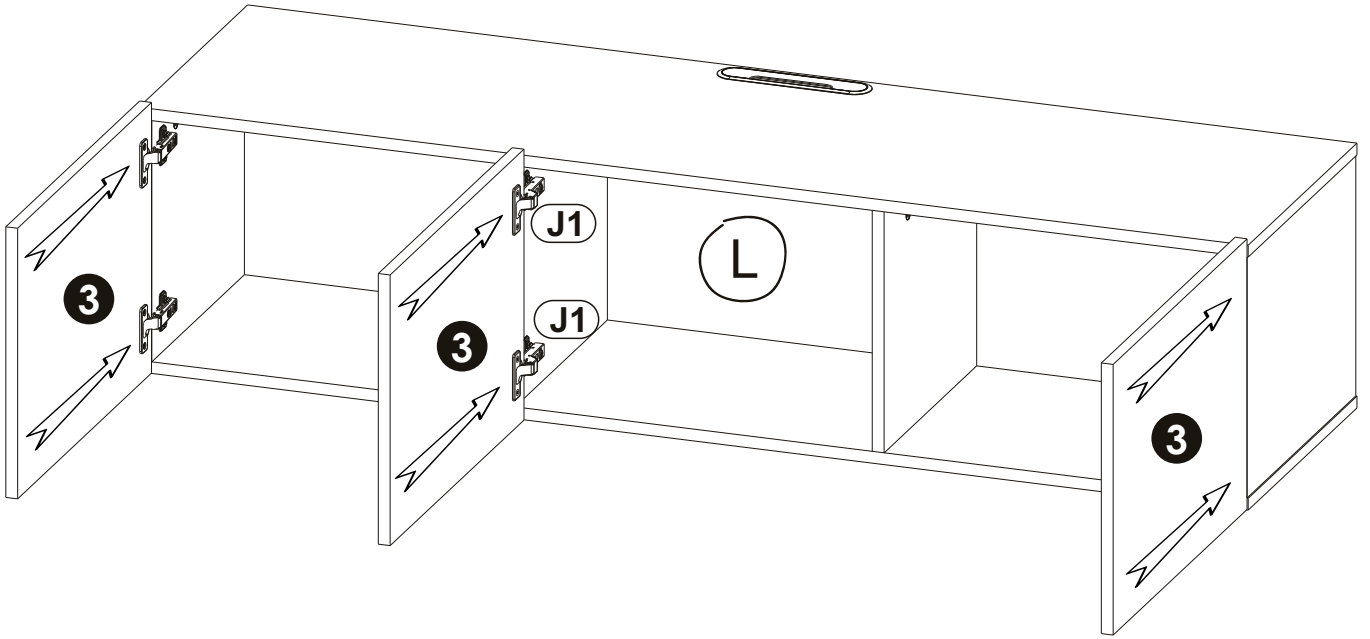






13



14



15

B5 Ø5mm 	x8	C0 	x16	LOGO...	x1
--	-----------	--	------------	----------------	-----------

