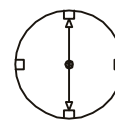
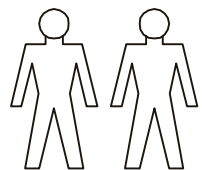
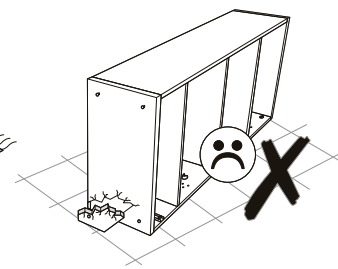
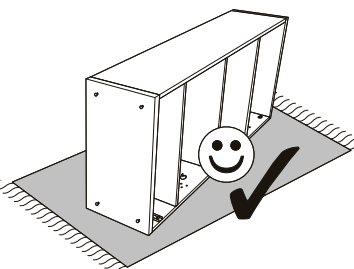
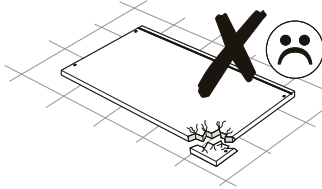
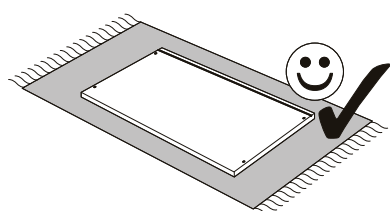
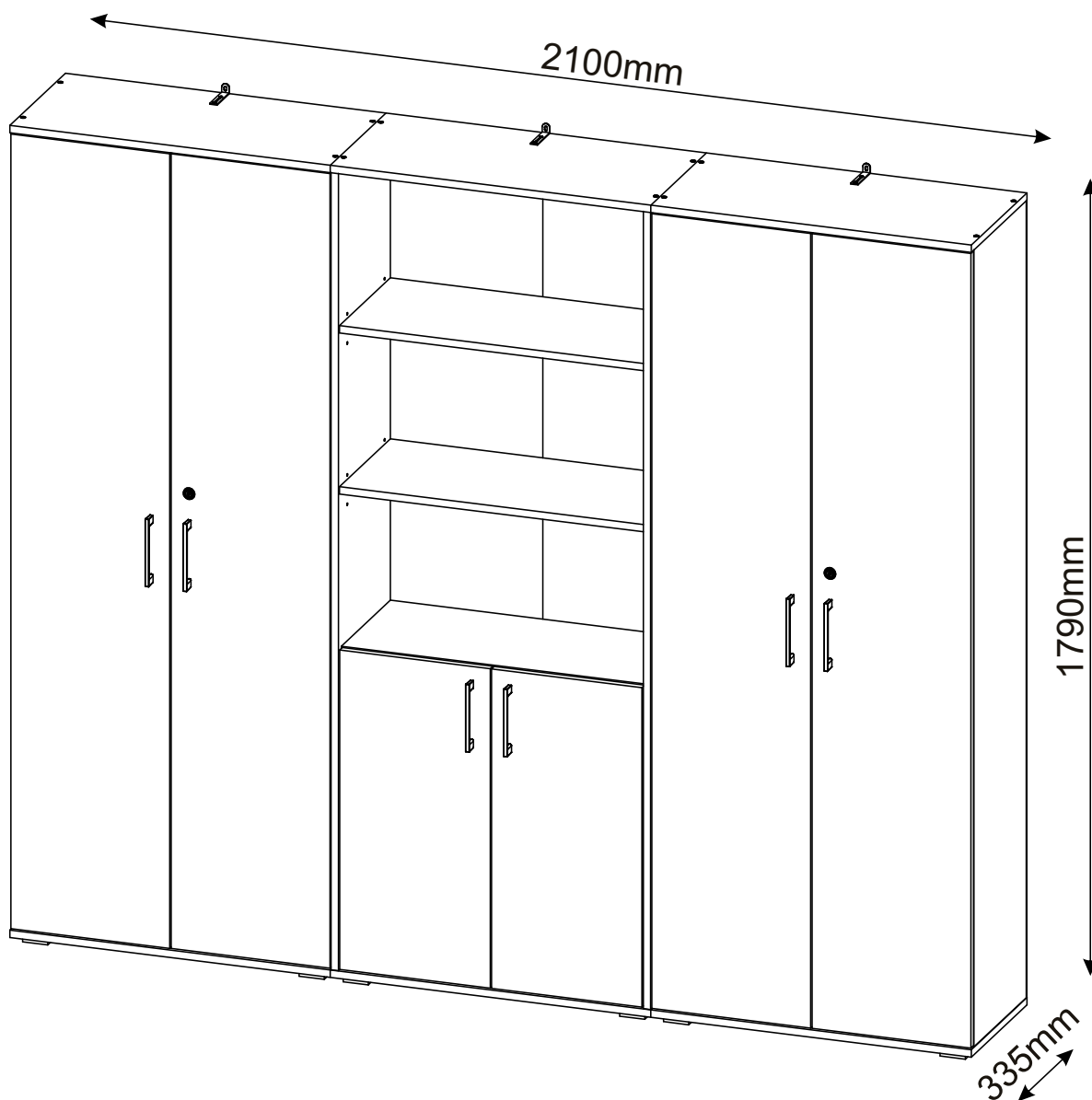
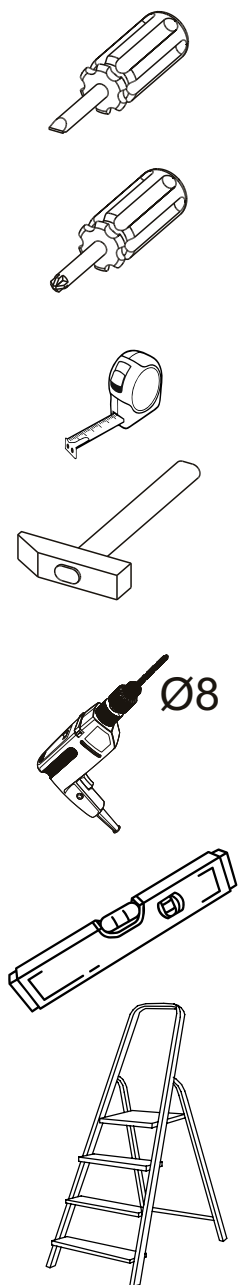








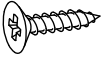





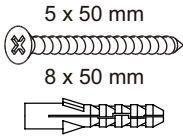
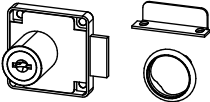
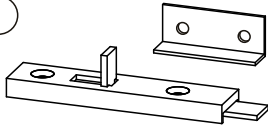

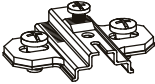




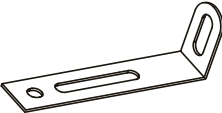
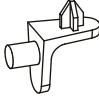
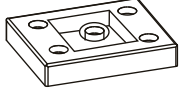

ALEX Büroset

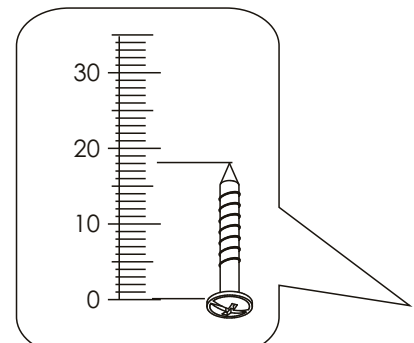
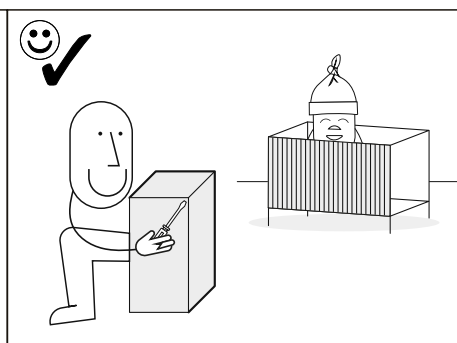
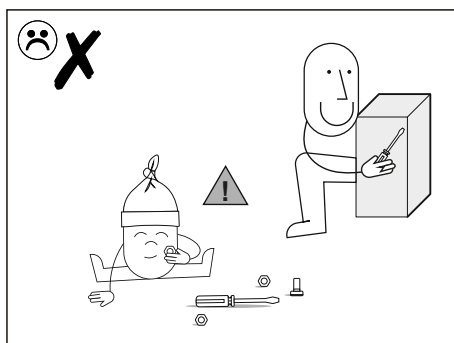
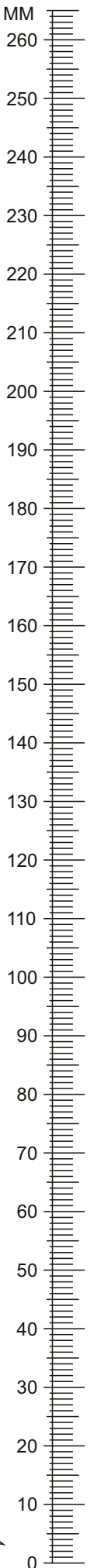
00030023/15



90
MIN




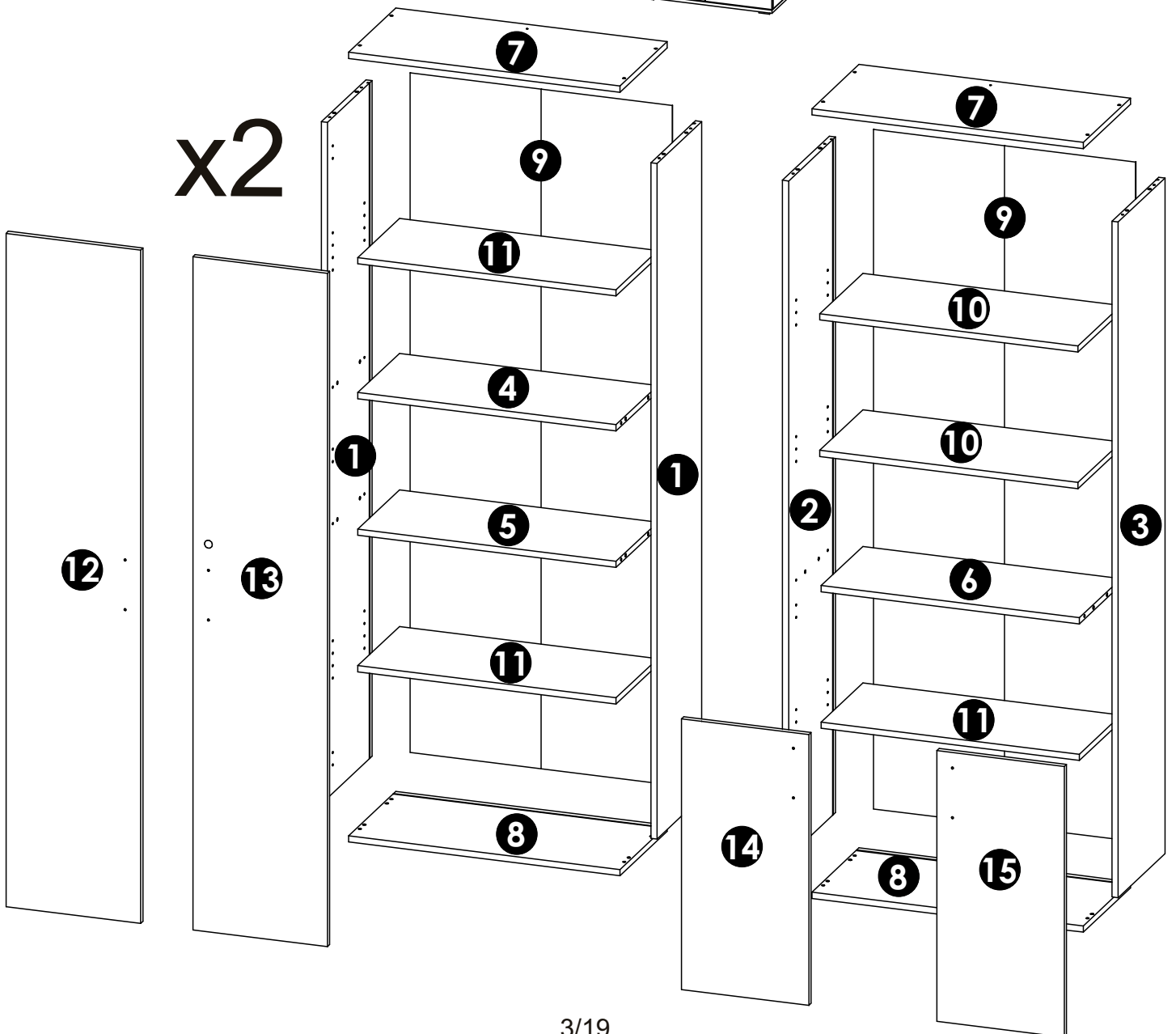
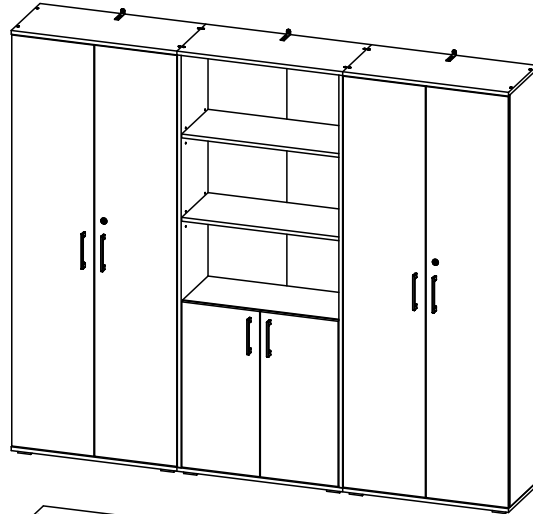
| | | |
|---|--|--|
| A0 8 x 30mm x44  | B1 7x 50 mm x24  | C2  x20 |
| C7 16mm x20  | D0 3 x 15 mm x36  | D4 3,5 x 17 mm x8  |
| D5 3,5 x 16 mm x36  | D8 4.2 x 13 mm x3  | D11 4 x 20 mm x8  |
| D12 3.5 x 25 mm x48  | D16 4 x 30 mm x12  | D21 5 x 13 mm x3  |
| E0 5 x 50 mm 8 x 50 mm x3  | I1  x2 | I2  x2 |
| J4  x4 | J6  x16 | J8  x12 |
| K 4mm  x1 | L13  x6 | M1  x36 |
| P0  x3 | Q3  x28 | T5  x12 |
| U0  x10 | | |

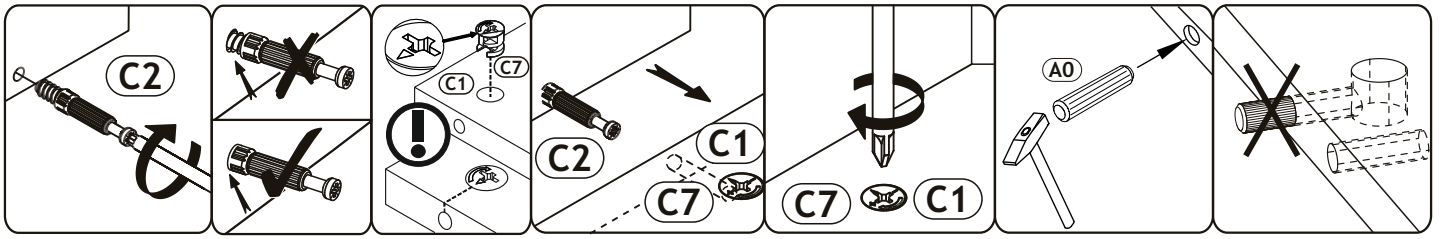




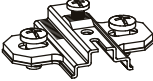
| | | | | | |
|----------|------|-----|----|----|-----|
| 1 | 1742 | 316 | 16 | x4 | 2/8 |
| 2 | 1742 | 332 | 16 | x1 | 3/8 |
| 3 | 1742 | 332 | 16 | x1 | 3/8 |
| 4 | 666 | 295 | 16 | x2 | 5/8 |
| 5 | 666 | 295 | 16 | x2 | 5/8 |

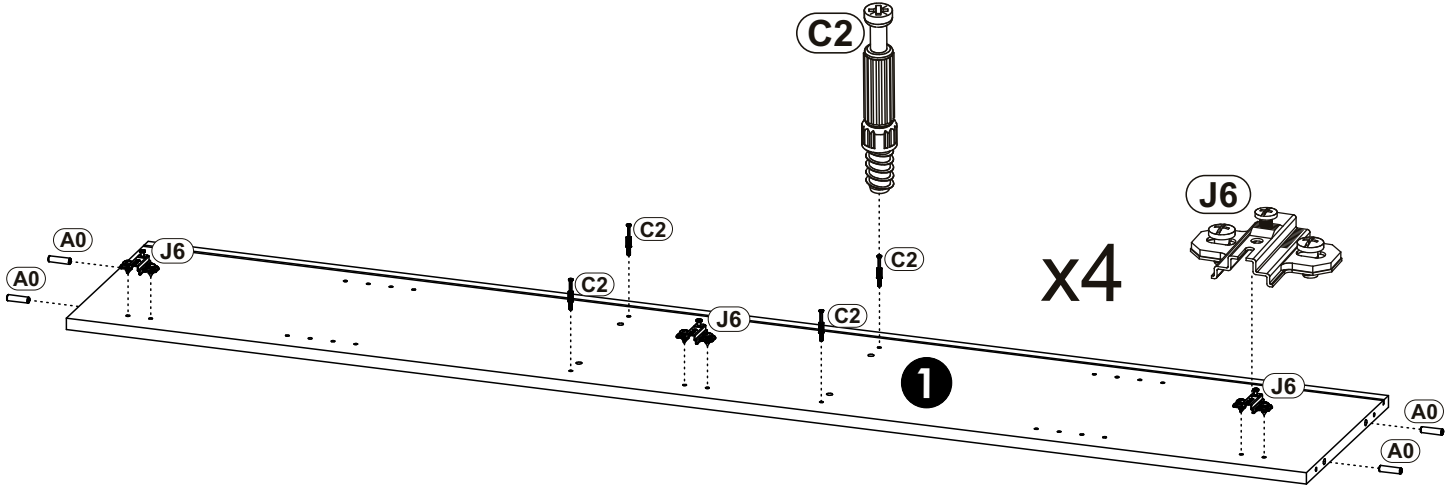
| | | | | | |
|-----------|------|-----|----|----|-----|
| 6 | 666 | 295 | 16 | x1 | 4/8 |
| 7 | 700 | 334 | 16 | x3 | 4/8 |
| 8 | 700 | 334 | 16 | x3 | 4/8 |
| 9 | 1752 | 676 | 3 | x3 | 3/8 |
| 10 | 666 | 305 | 16 | x2 | 4/8 |



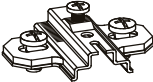
| | | | | | |
|---|------|-----|----|----|-----|
| 11 | 666 | 295 | 16 | x5 | 5/8 |
| 12 | 1736 | 347 | 16 | x2 | 1/8 |
| 13 | 1736 | 347 | 16 | x2 | 1/8 |
| 14 | 698 | 329 | 16 | x1 | 3/8 |
| 15 | 698 | 329 | 16 | x1 | 3/8 |
|  | | | | | 4/8 |

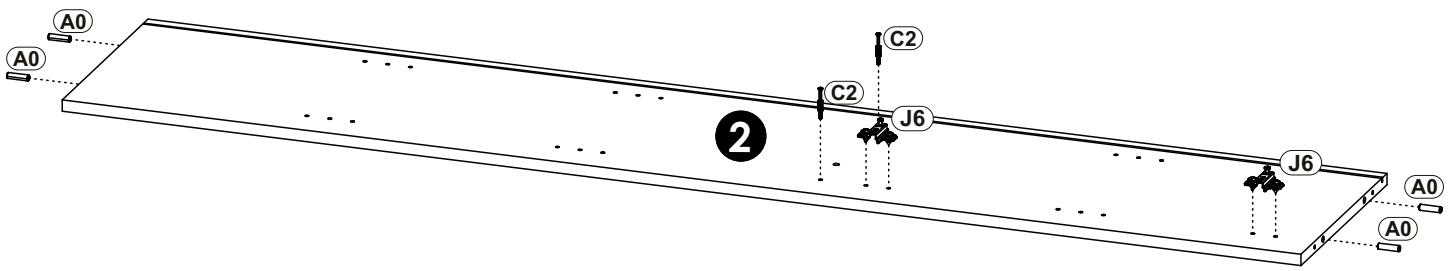



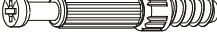
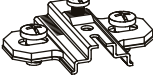


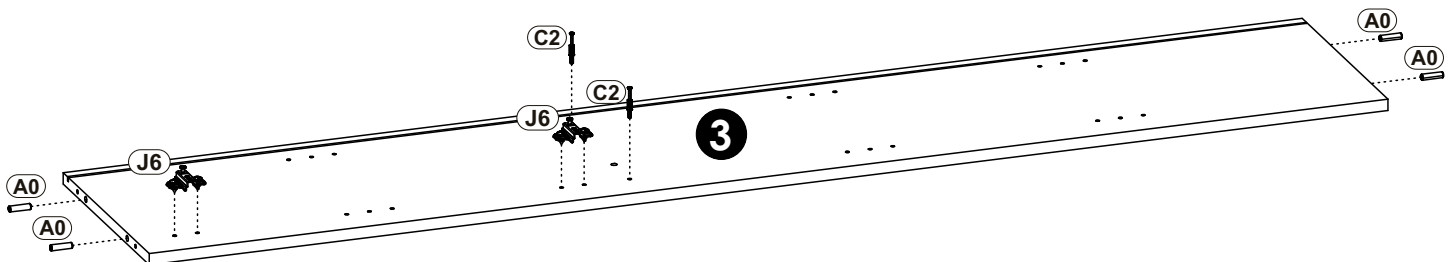
| | | | | | | |
|----------|--|------------|--|------------|--|------------|
| 1 | A0 8 x 30mm  | x16 | C2  | x16 | J6  | x12 |
|----------|--|------------|--|------------|--|------------|





| | | | | | | |
|----------|--|-----------|--|-----------|--|-----------|
| 2 | A0 8 x 30mm  | x4 | C2  | x2 | J6  | x2 |
|----------|--|-----------|--|-----------|--|-----------|

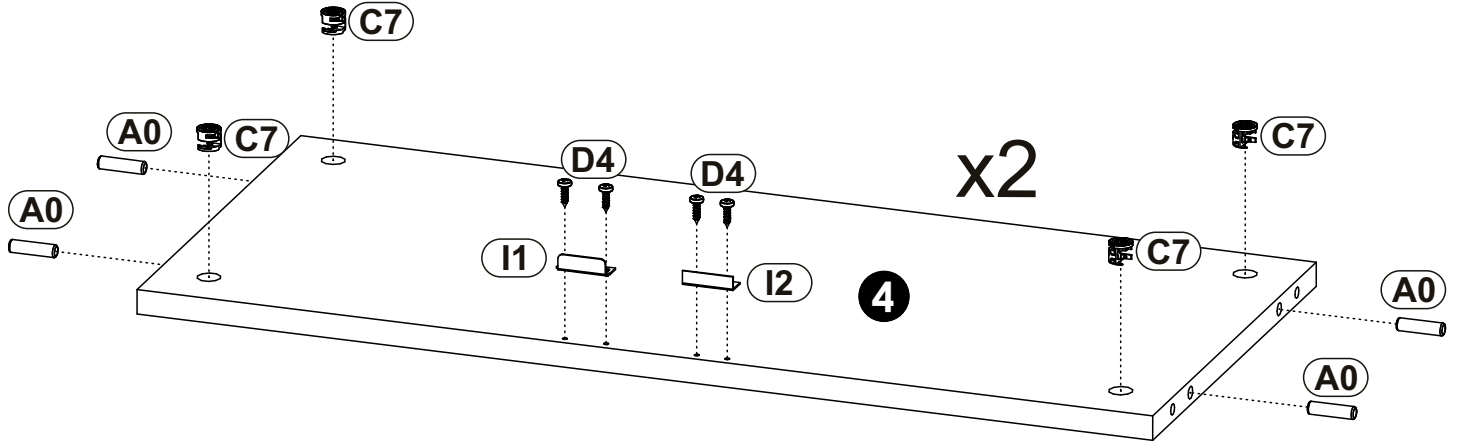


| | | | | | | |
|----------|--|-----------|--|-----------|--|-----------|
| 3 | A0 8 x 30mm  | x4 | C2  | x2 | J6  | x2 |
|----------|--|-----------|--|-----------|--|-----------|



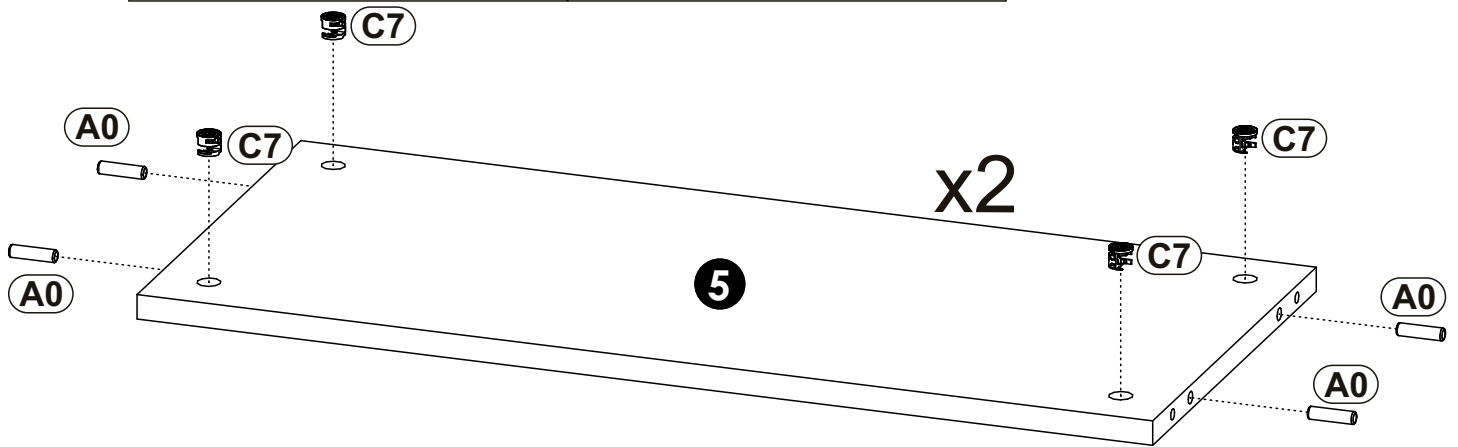
4

| | | | | | | | | |
|-------------|---|-----------|-------------|---|-----------|-------------|-------------|-----------|
| (A0) | 8 x 30mm | x8 | (C7) | 16mm | x8 | (D4) | 3,5 x 17 mm | x8 |
| (I1) |  | x2 | (I2) |  | x2 | | | |



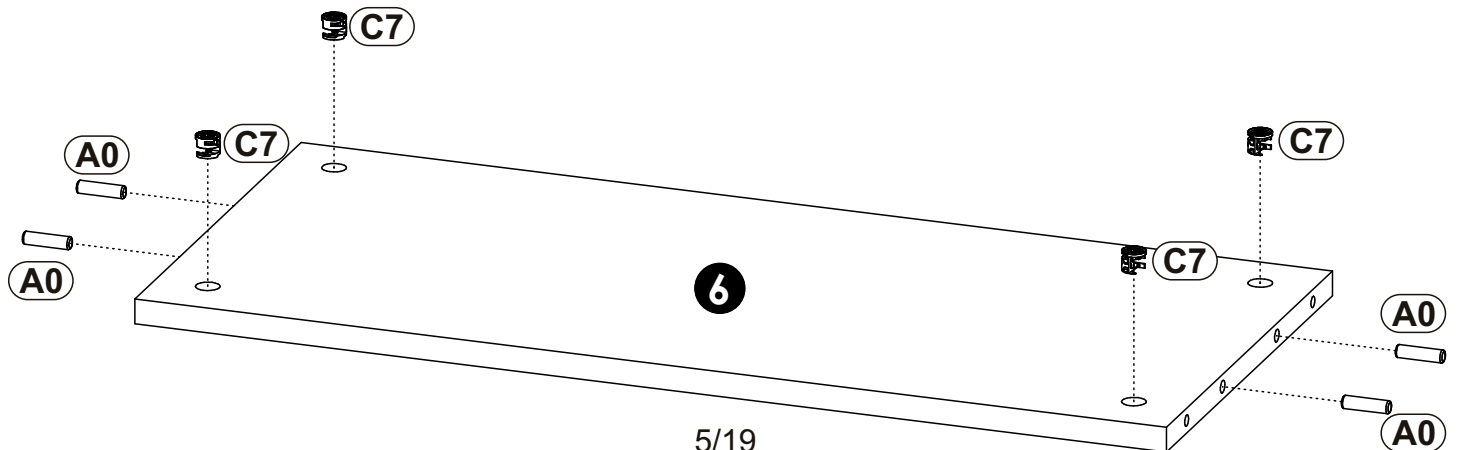
5

| | | | | | |
|-------------|----------|-----------|-------------|------|-----------|
| (A0) | 8 x 30mm | x8 | (C7) | 16mm | x8 |
|-------------|----------|-----------|-------------|------|-----------|



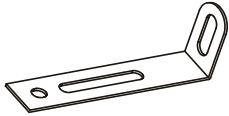


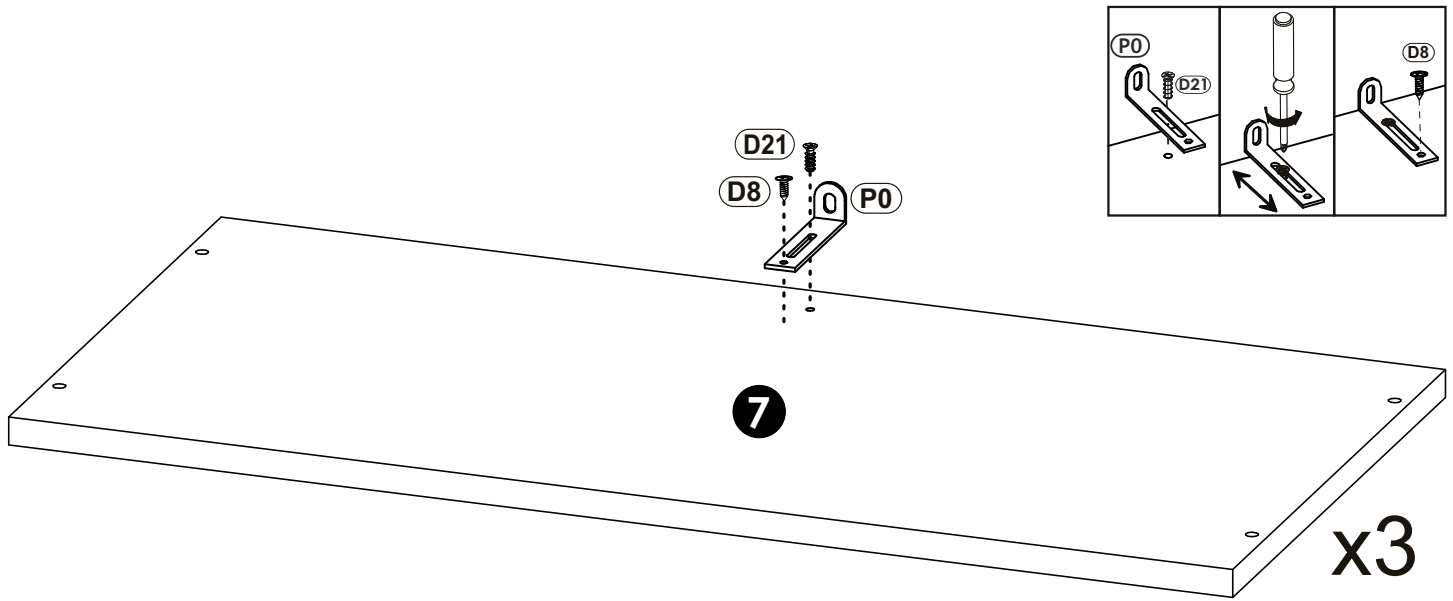
6

| | | | | | |
|-------------|----------|-----------|-------------|------|-----------|
| (A0) | 8 x 30mm | x4 | (C7) | 16mm | x4 |
|-------------|----------|-----------|-------------|------|-----------|


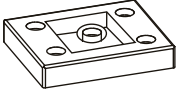


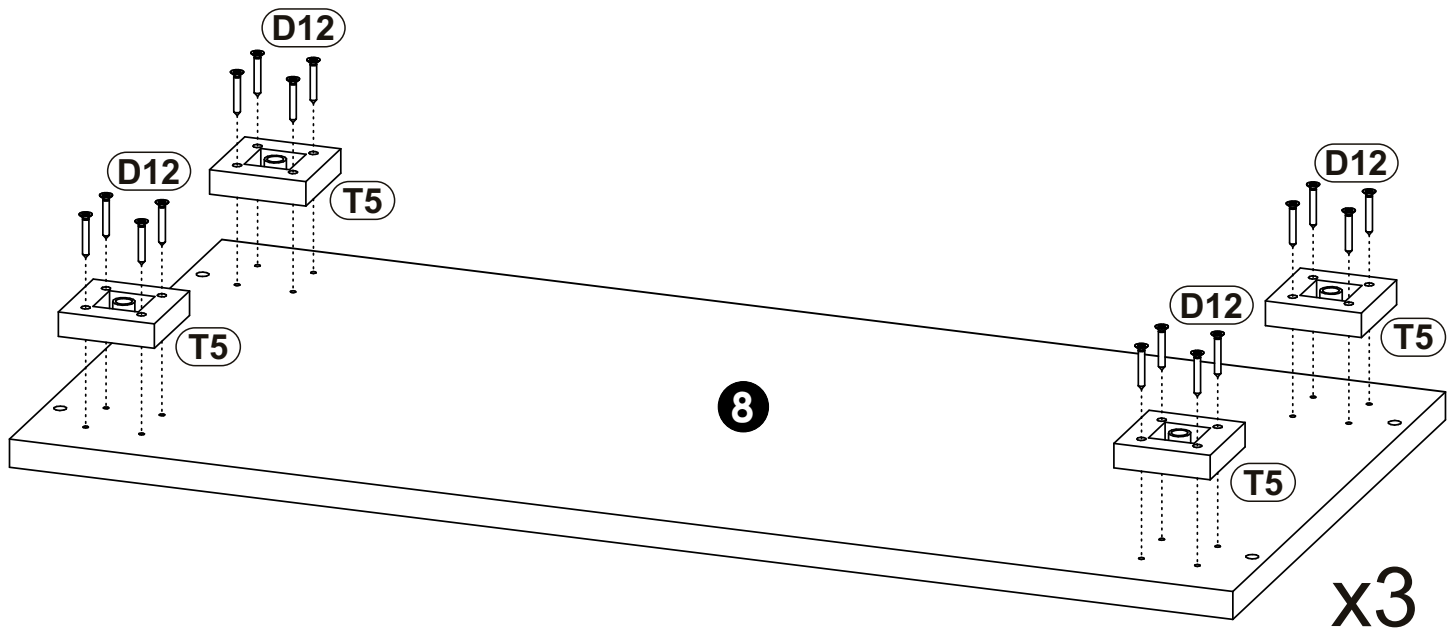
7

| | | | | | |
|---|-----------|--|-----------|--|-----------|
| (D8) 4.2 x 13 mm  | x3 | (D21) 5 x 13 mm  | x3 | (P0)  | x3 |
|---|-----------|--|-----------|--|-----------|

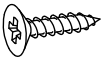

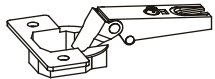

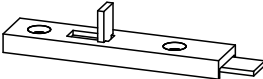


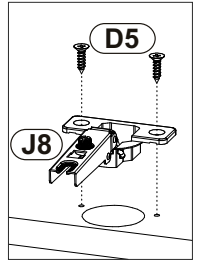
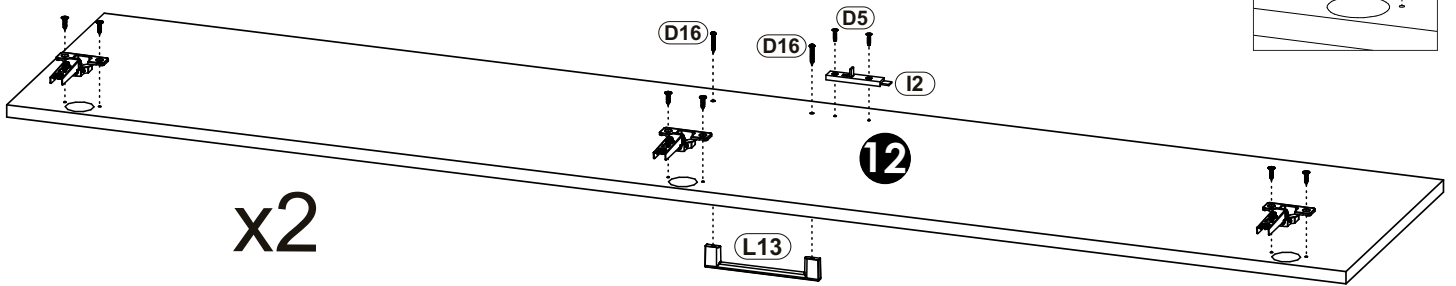
8

| | | | |
|--|------------|--|------------|
| (D12) 3.5 x 25 mm  | x48 | (T5)  | x12 |
|--|------------|--|------------|

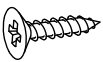


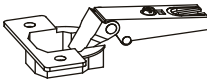

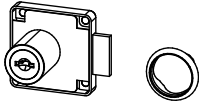


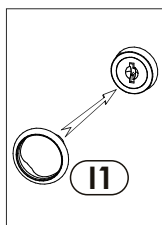
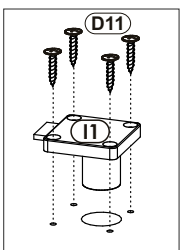
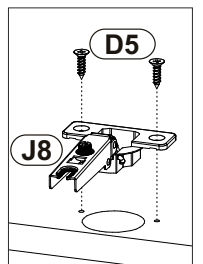
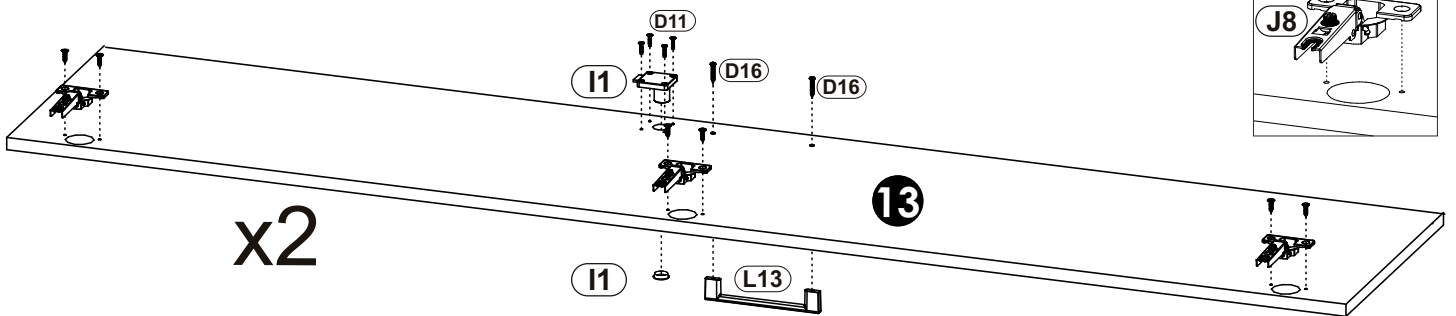
9

| | | |
|---|---|--|
| <p>(D5) 3,5 x 16 mm x16</p>  | <p>(D16) 4 x 30 mm x4</p>  | <p>(J8) x6</p>  |
| <p>(L13) x2</p>  | <p>(I2) x2</p>  | |

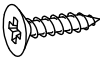





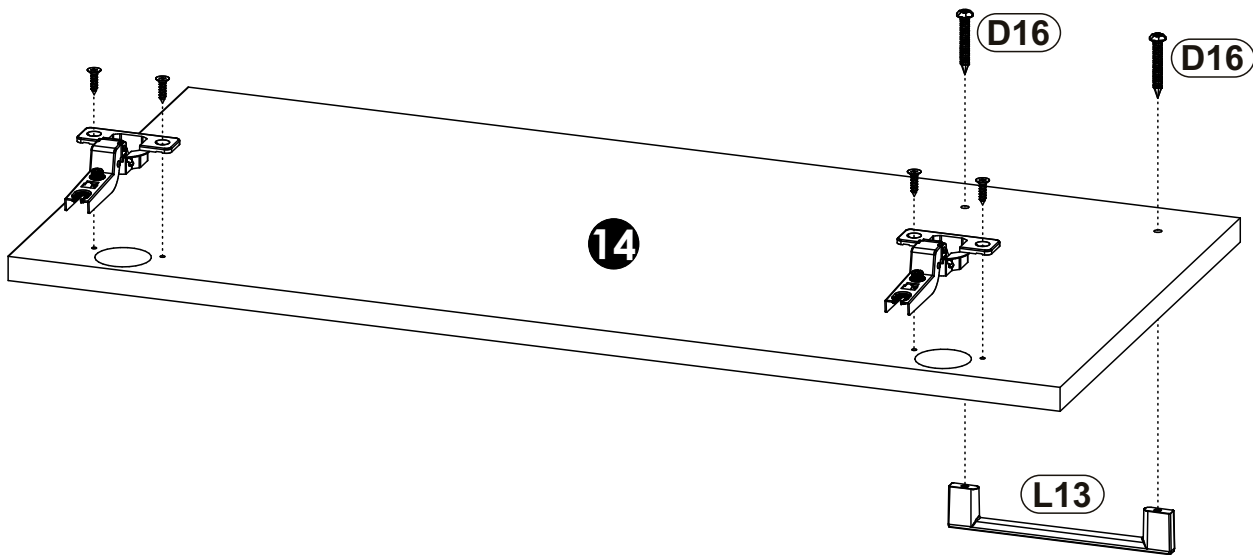
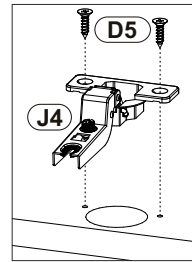
10

| | | |
|---|---|---|
| <p>(D5) 3,5 x 16 mm x12</p>  | <p>(D11) 4 x 20 mm x8</p>  | <p>(D16) 4 x 30 mm x4</p>  |
| <p>(J8) x6</p>  | <p>(L13) x2</p>  | <p>(I1) x2</p>  |

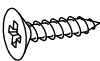





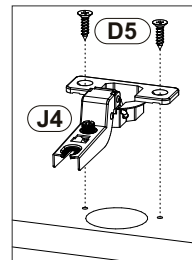
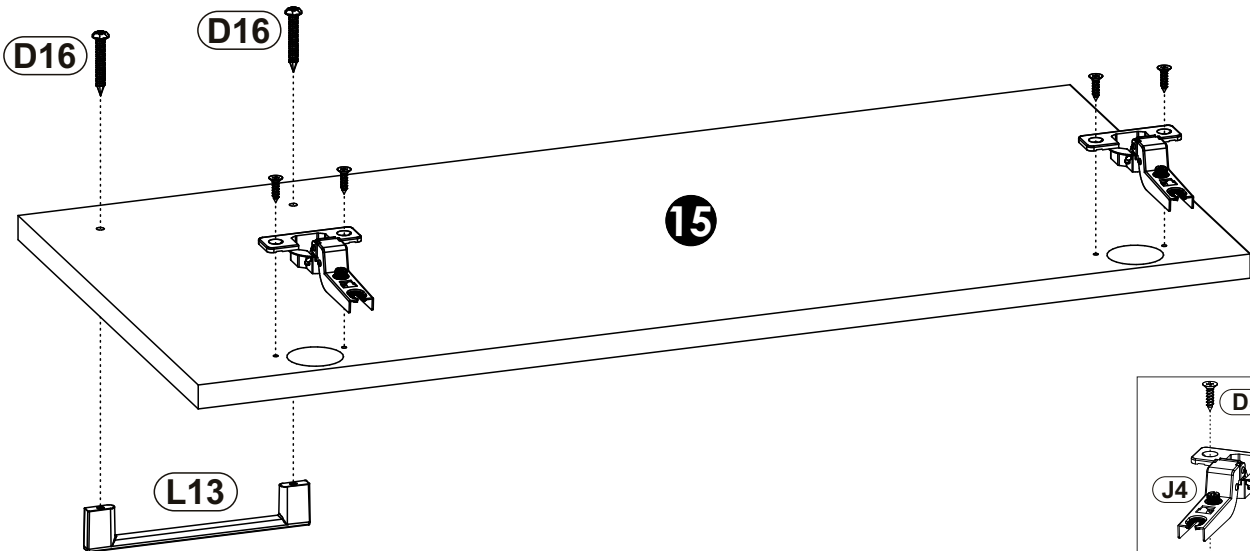
11

| | | | | | |
|---|-----------|--|-----------|--|-----------|
| D5 3,5 x 16 mm  | x4 | D16 4 x 30 mm  | x2 | J4  | x2 |
| L13  | x1 | | | | |

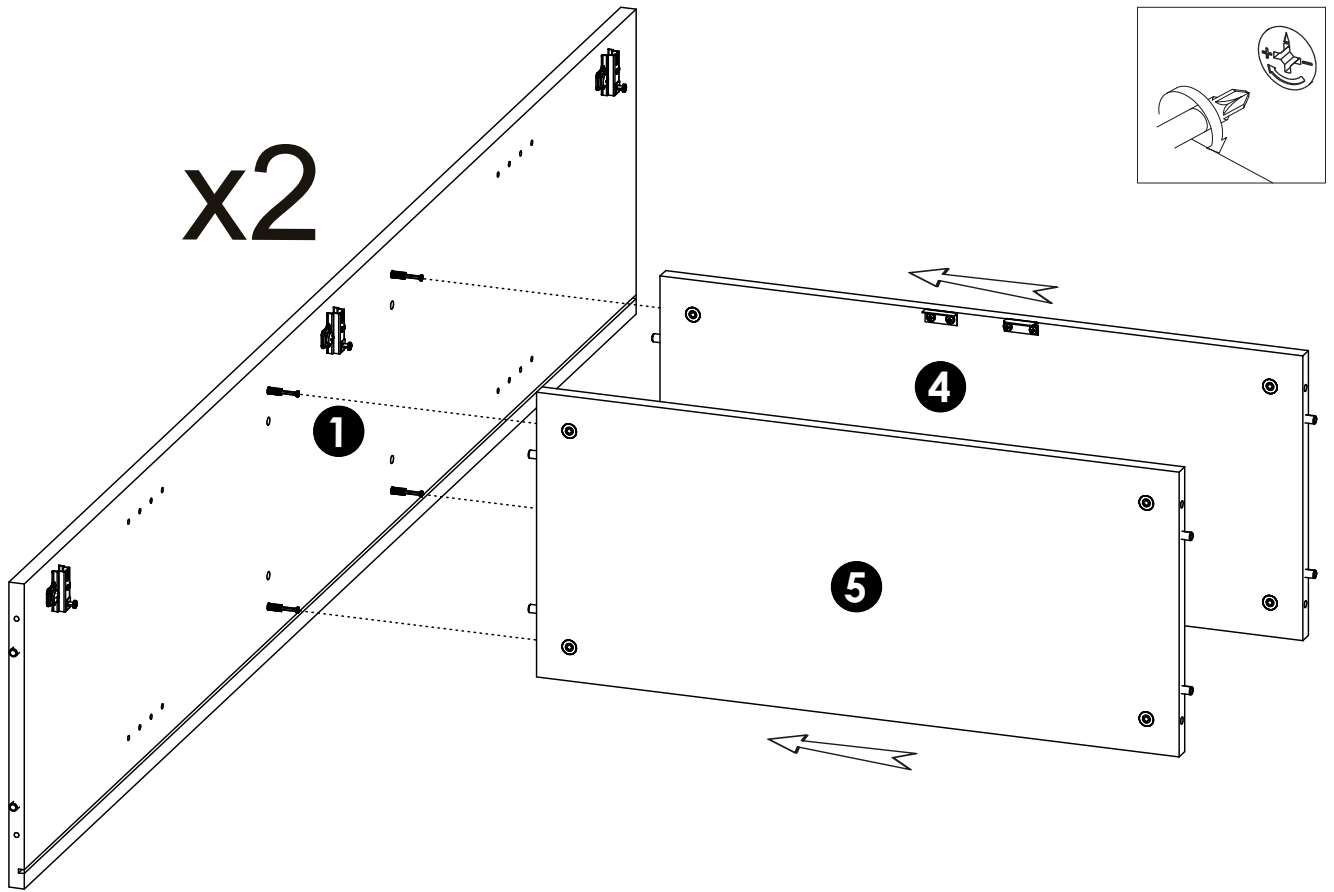


12

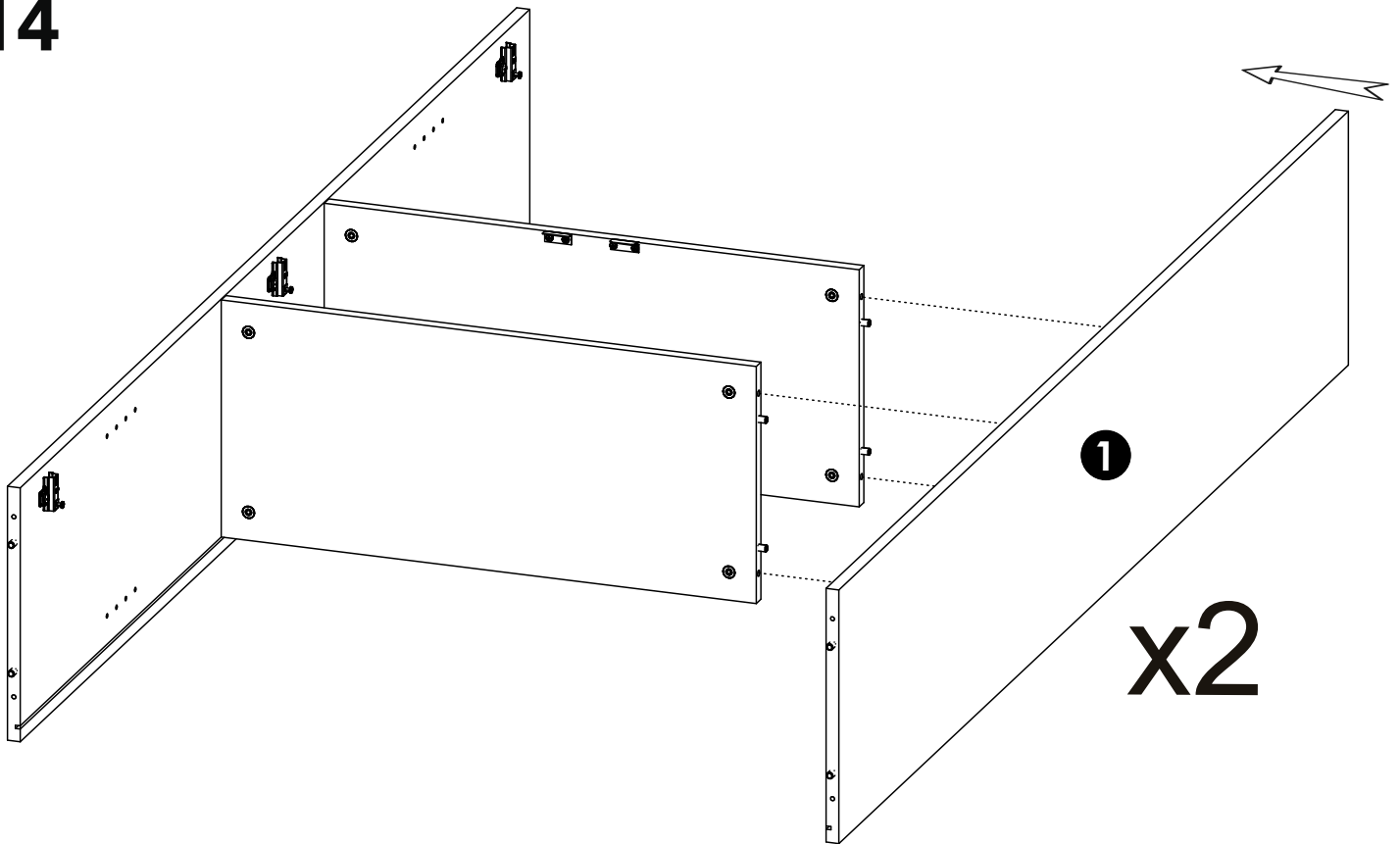
| | | | | | |
|---|-----------|--|-----------|--|-----------|
| D5 3,5 x 16 mm  | x4 | D16 4 x 30 mm  | x2 | J4  | x2 |
| L13  | x1 | | | | |



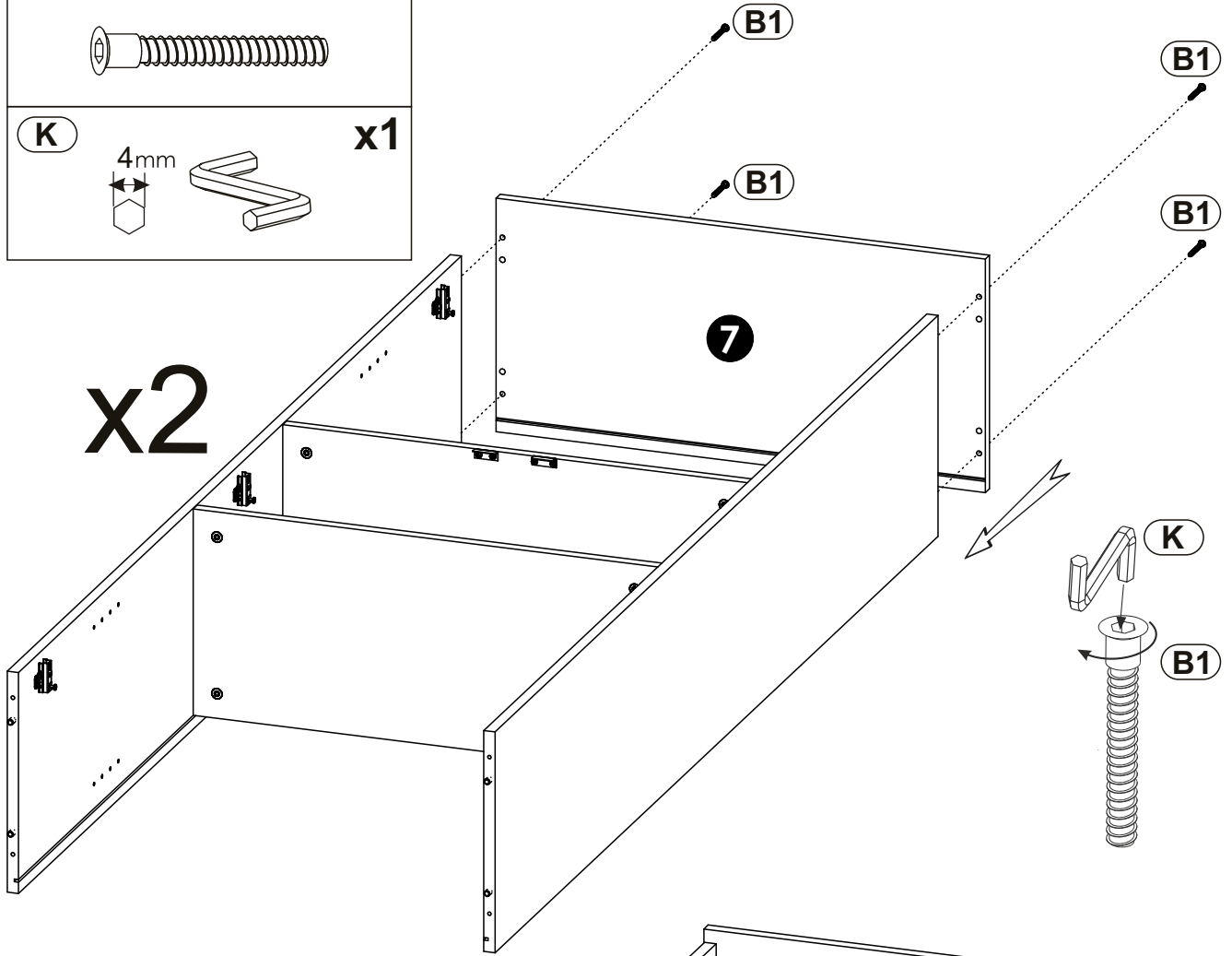
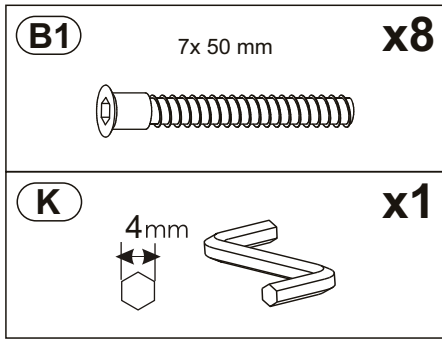
13



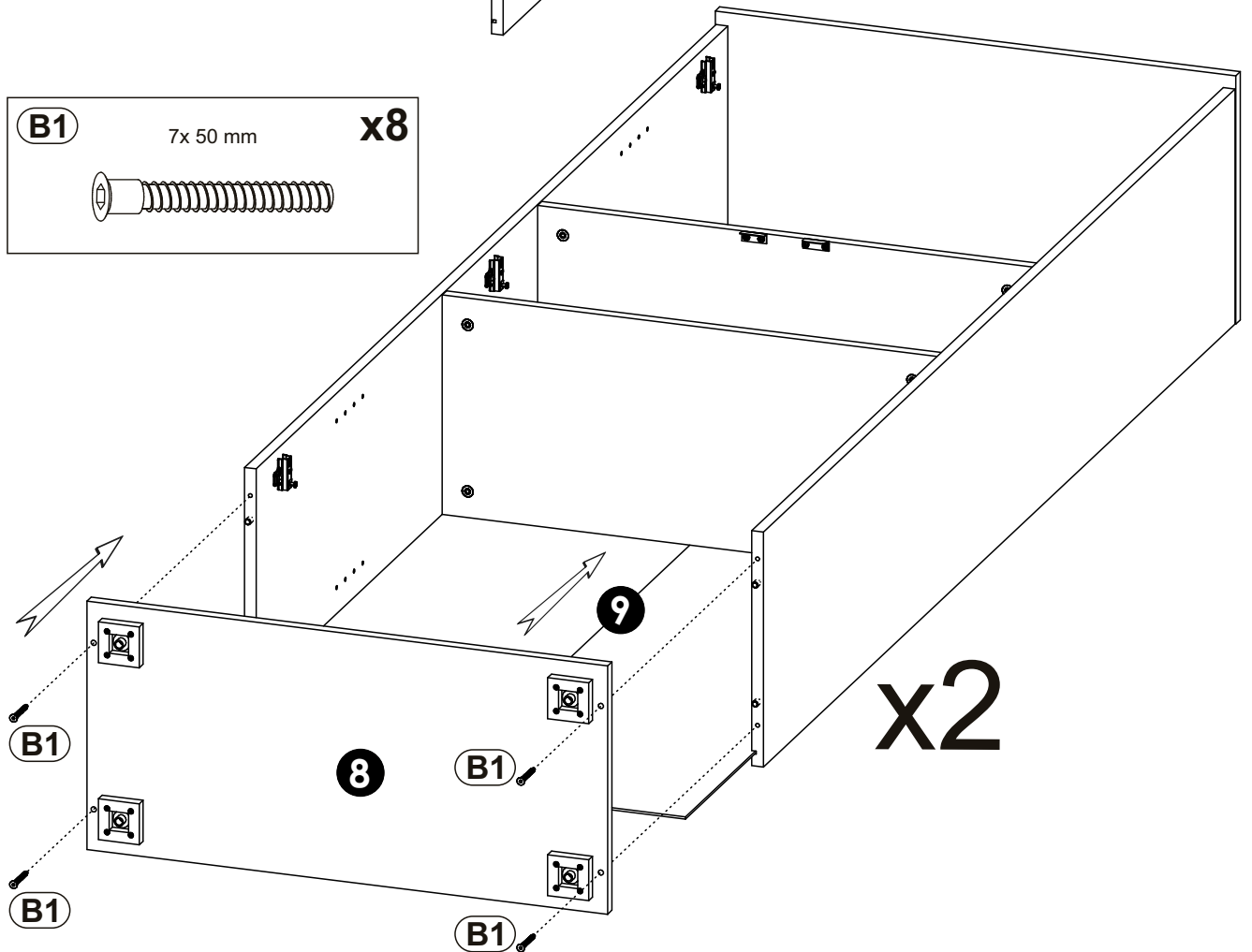
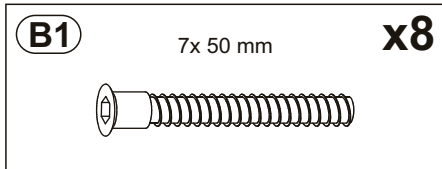
14



15

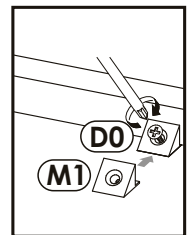
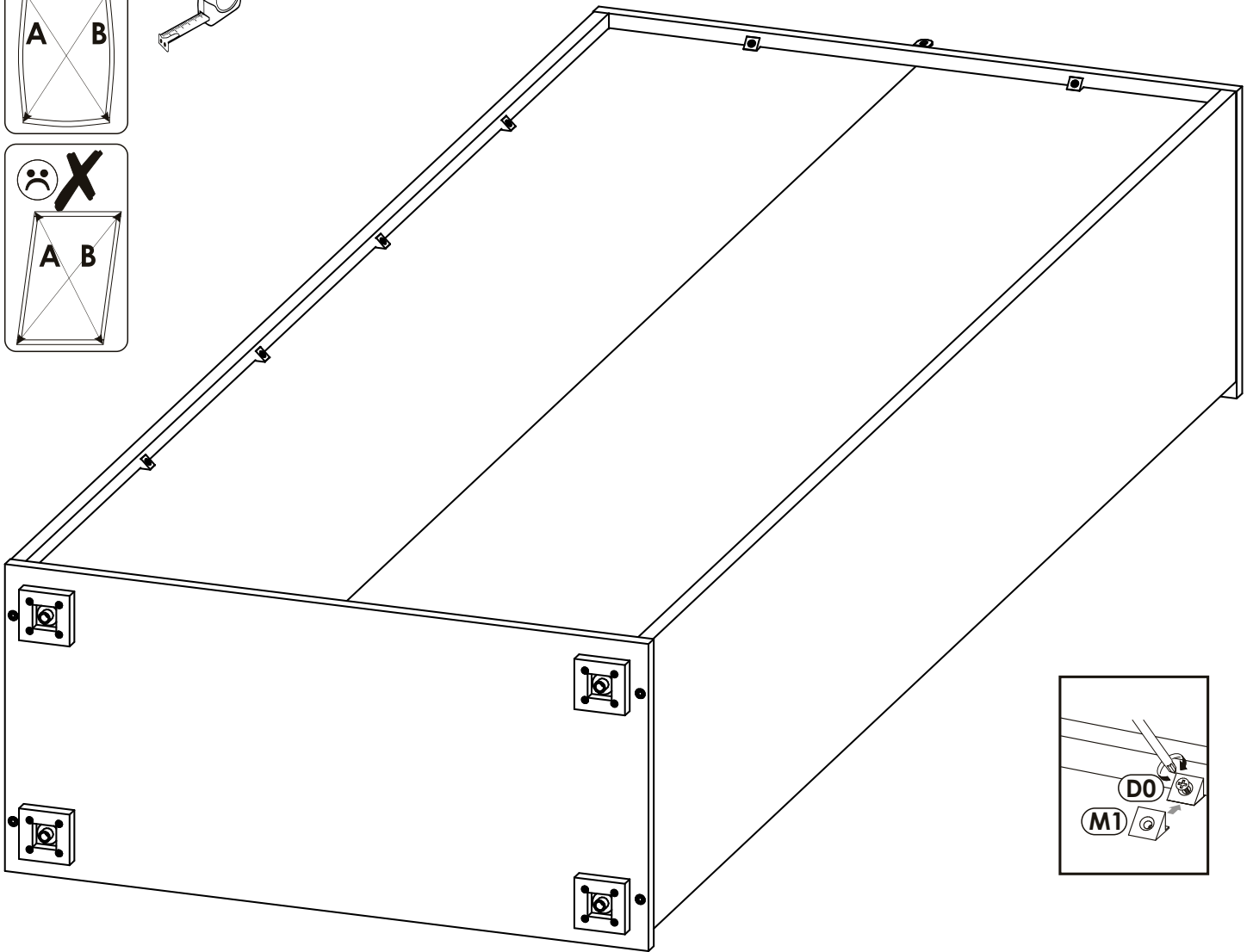
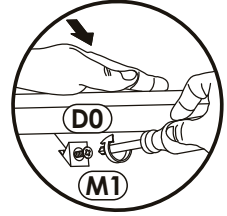
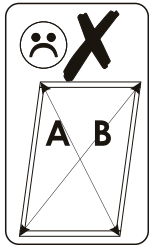
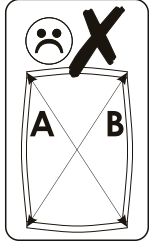
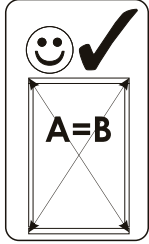


16



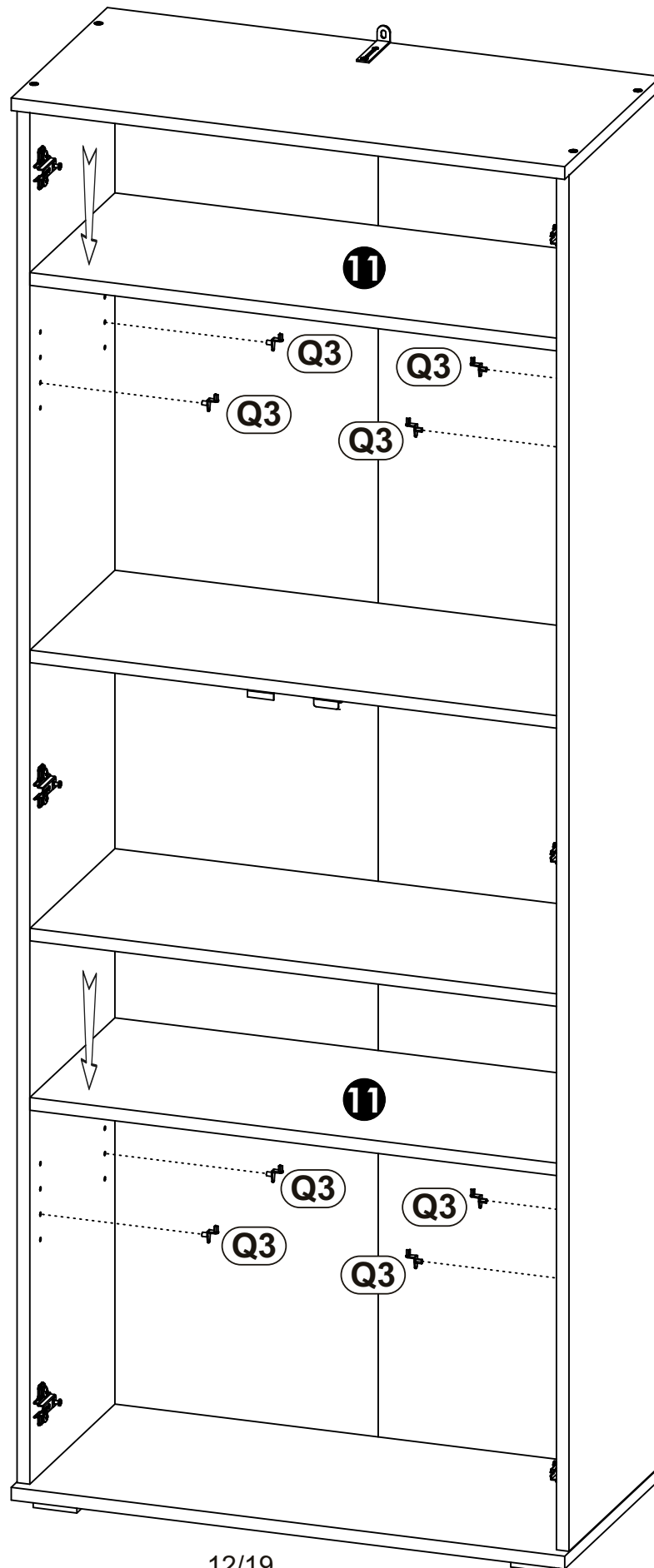
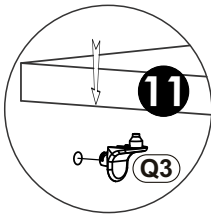
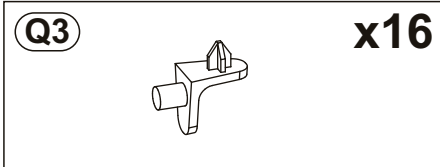
17

| | | | | |
|-------------|-----------|------------|-------------|------------|
| (D0) | 3 x 15 mm | x24 | (M1) | x24 |
|-------------|-----------|------------|-------------|------------|



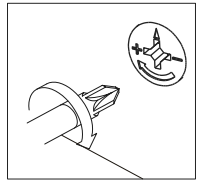
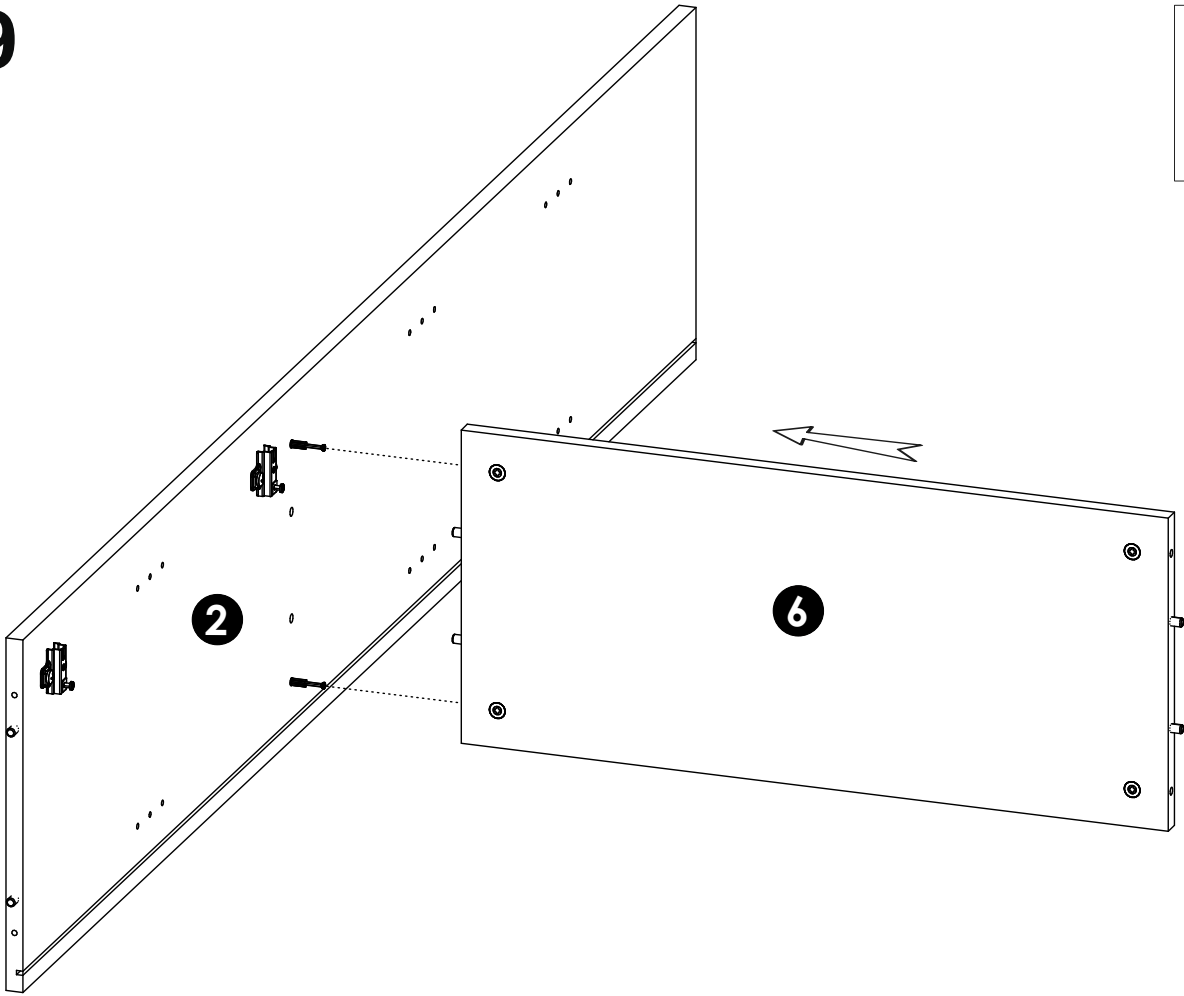
x2

18

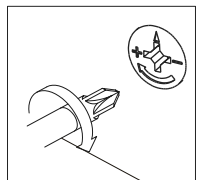
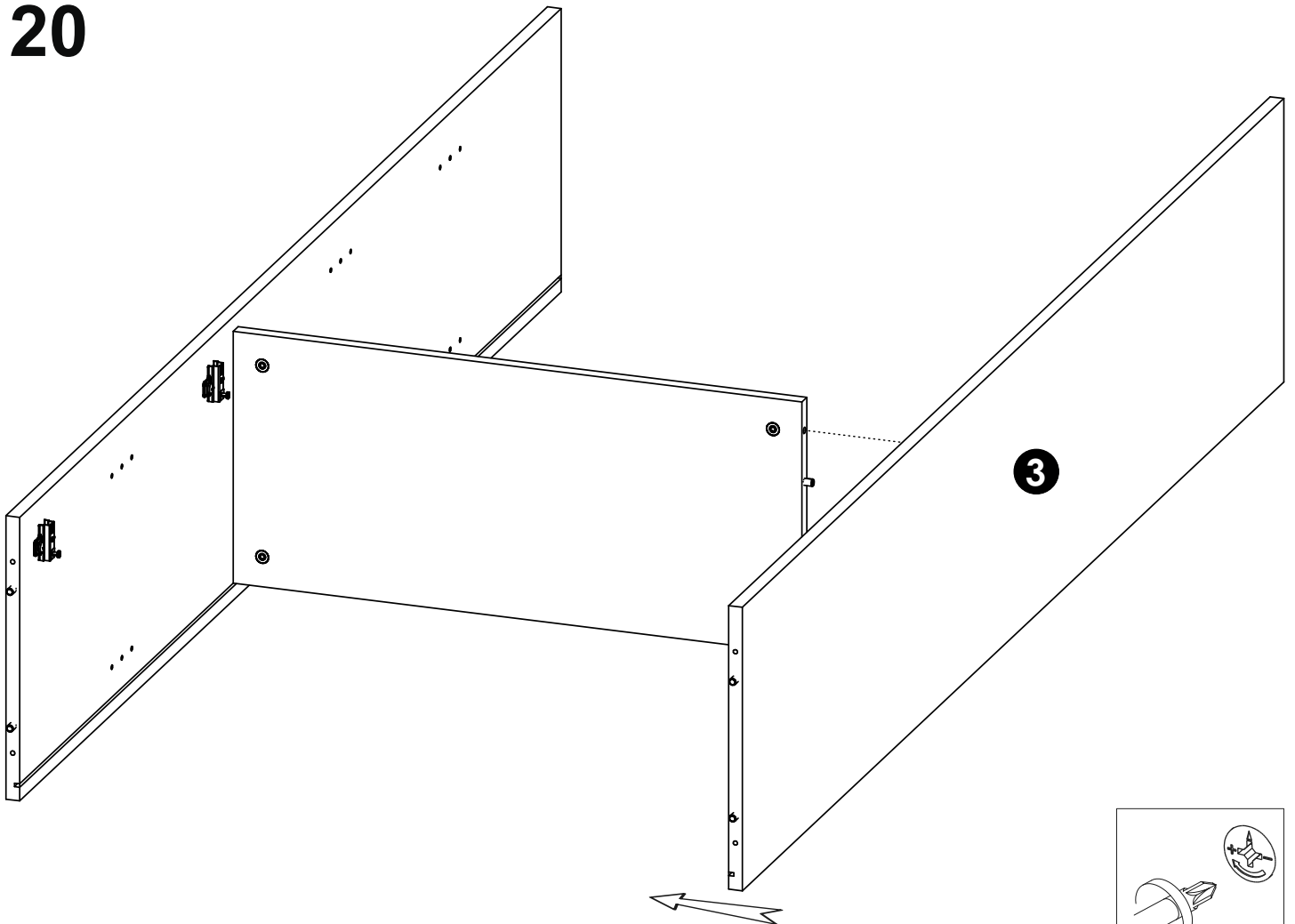


x2

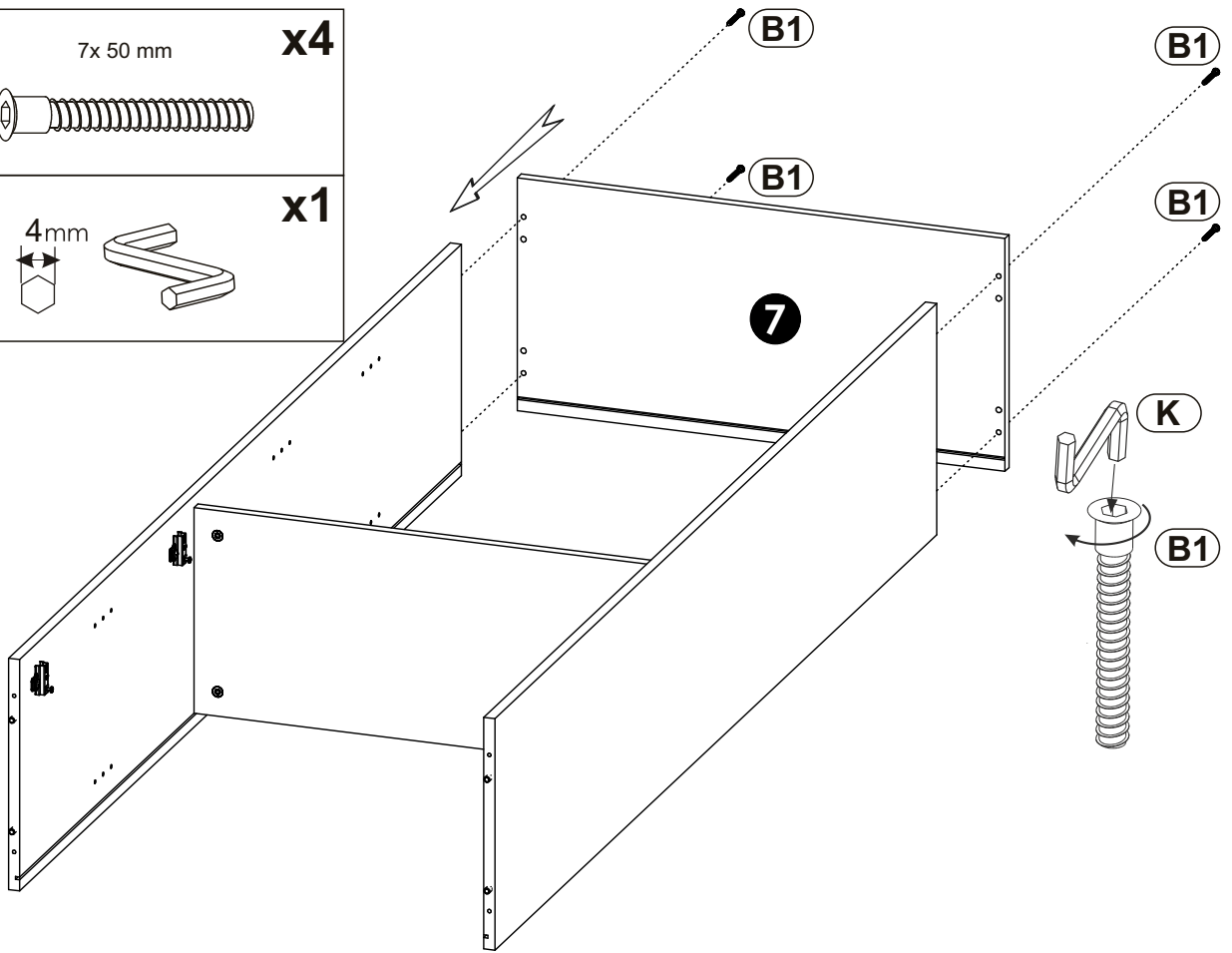
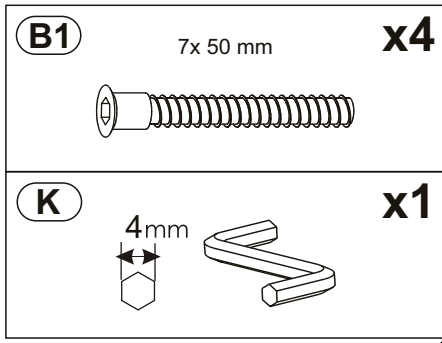
19



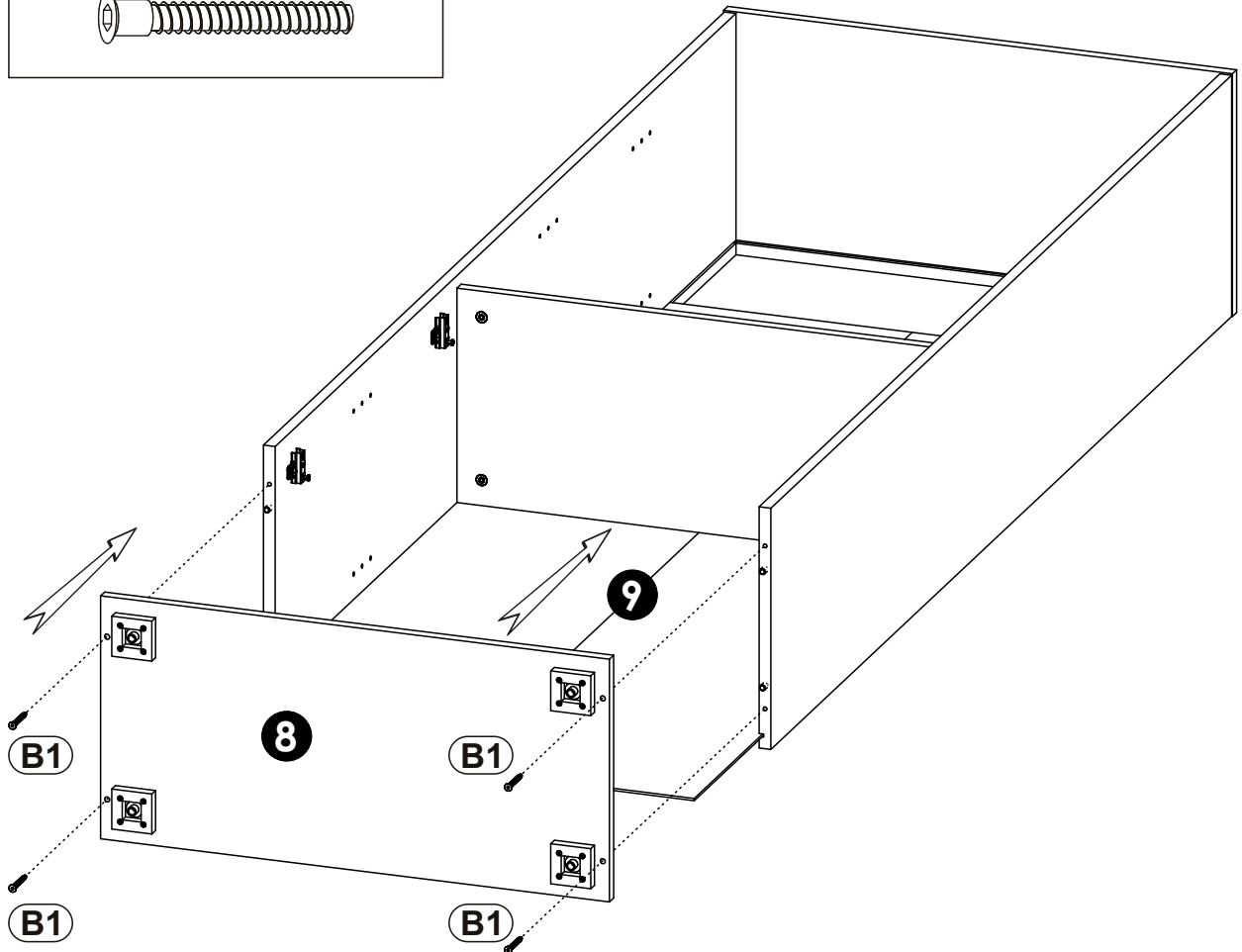
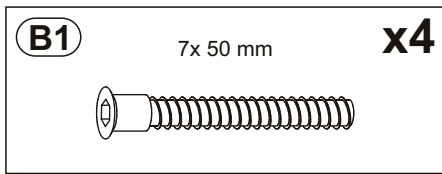
20





21

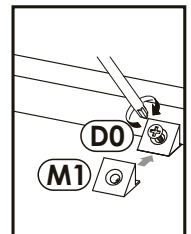
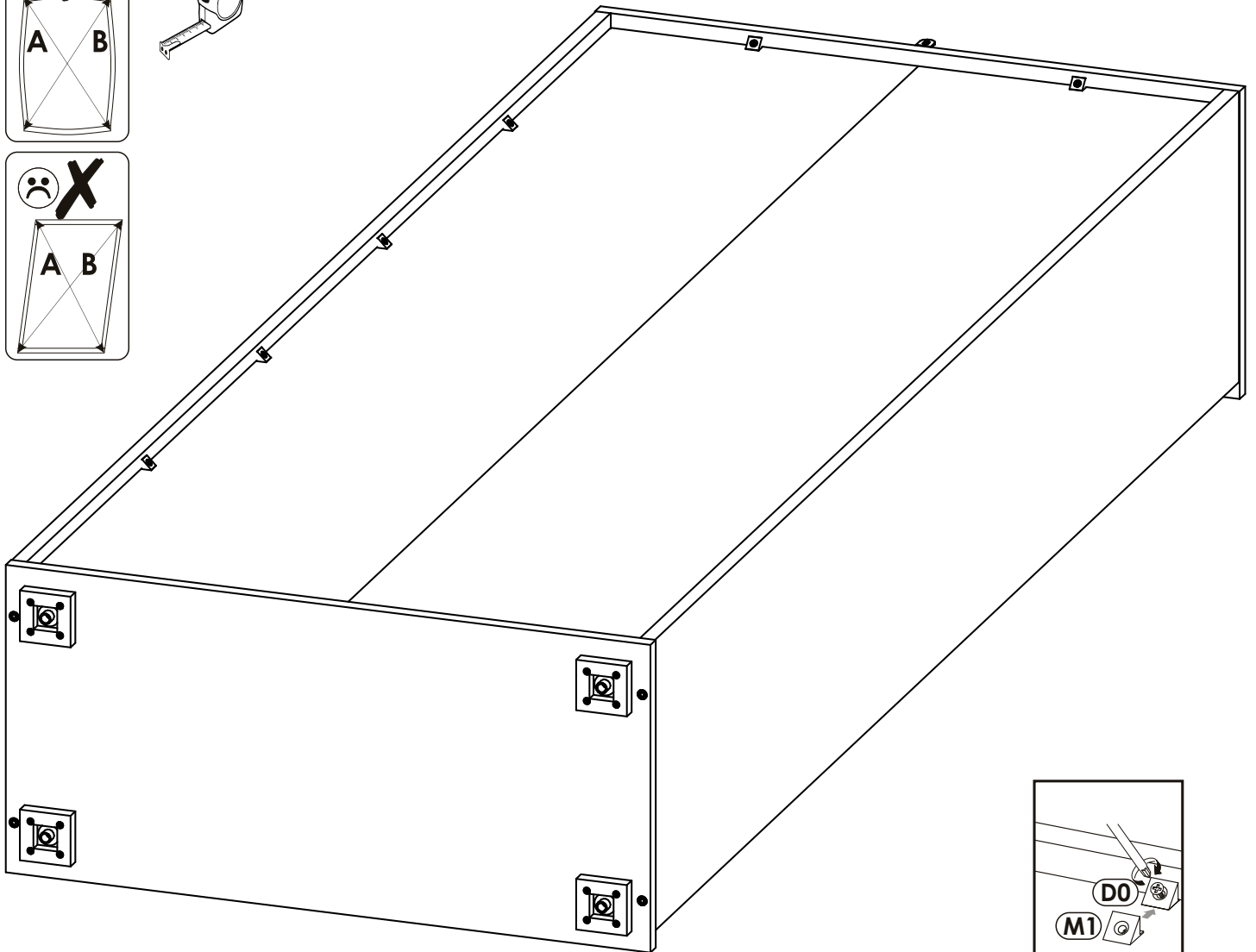
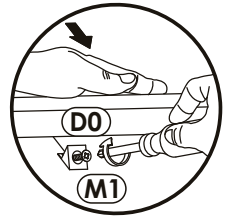
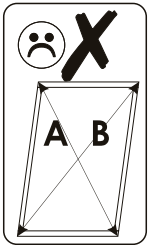
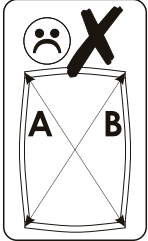
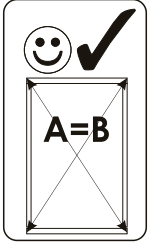


22



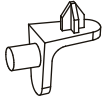
23

| | | | | |
|-------------|---|------------|---|------------|
| (D0) | 3 x 15 mm | x12 | (M1) | x12 |
| |  | |  | |

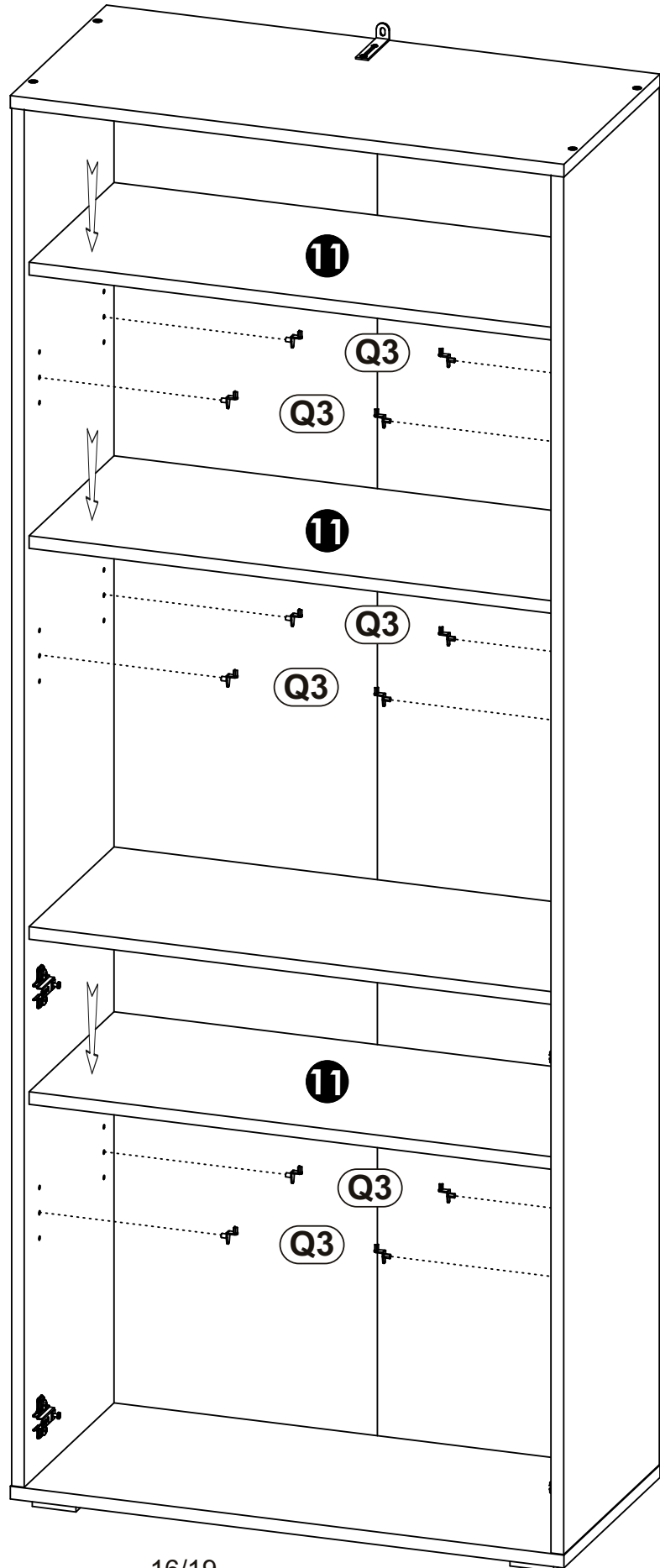
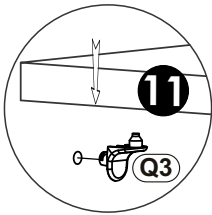


24

Q3

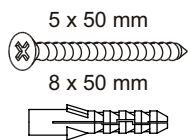


x12



25

E0



x3

U0

x10

