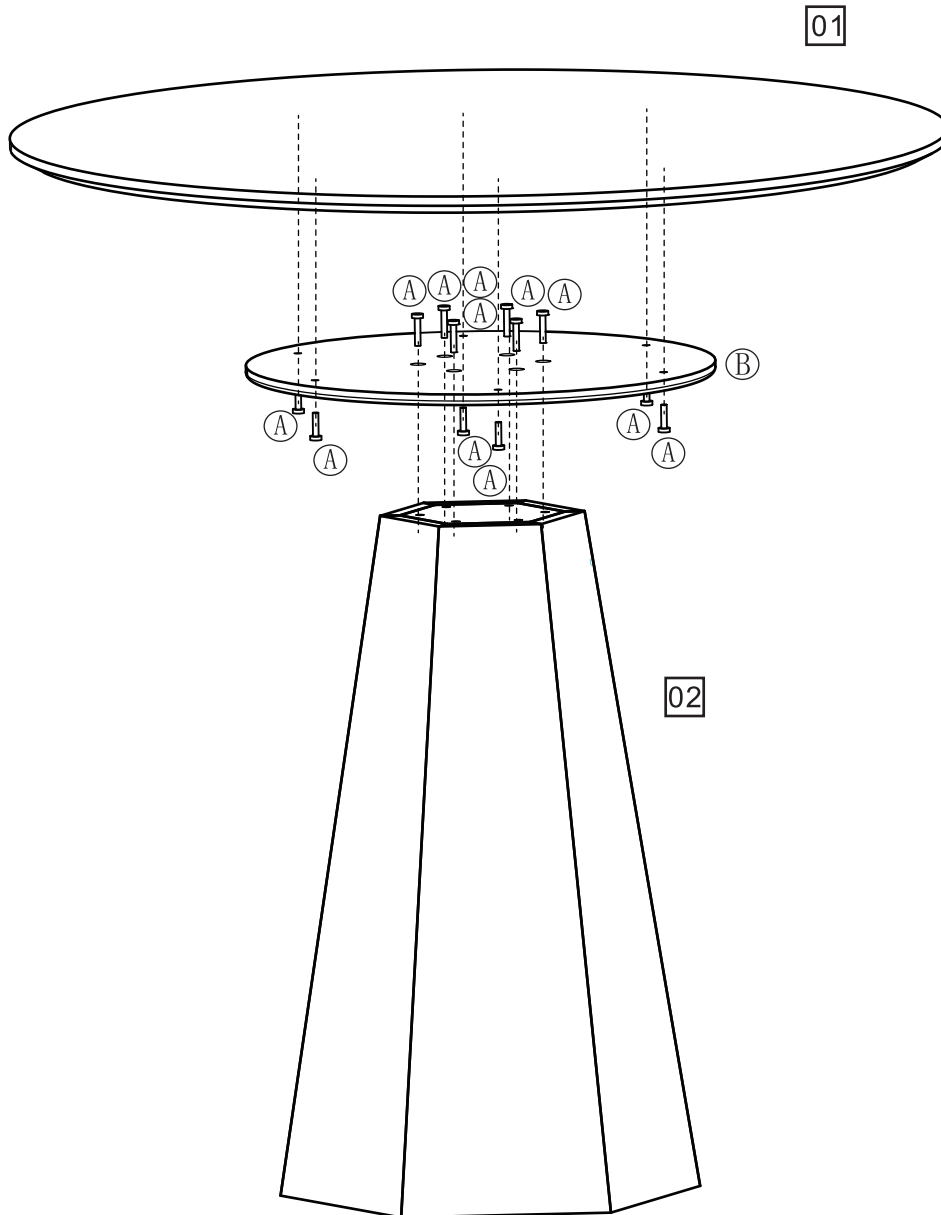


TABLE PILAR

ZUIVER^o

COMPONENT PARTS

FITTINGS



(A)  x 12

(B)  x 1

COMPONENT CHECKLIST

PART	No.	Qty.	
Table top	01	1	<input type="checkbox"/>
Leg	02	1	<input type="checkbox"/>

TOOLS REQUIRED



Allen key (supplied)