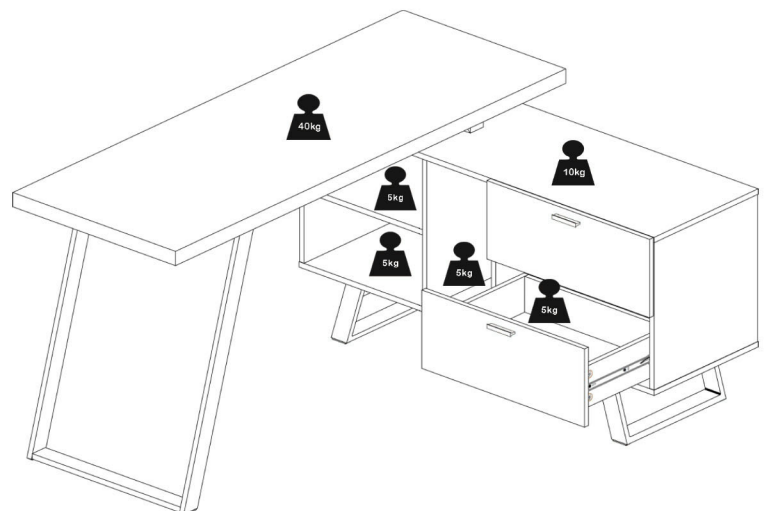
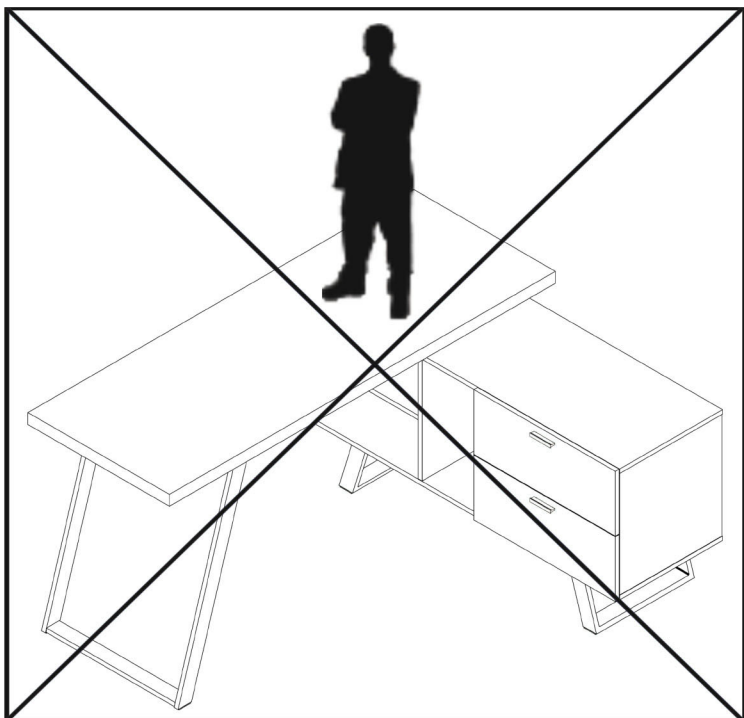
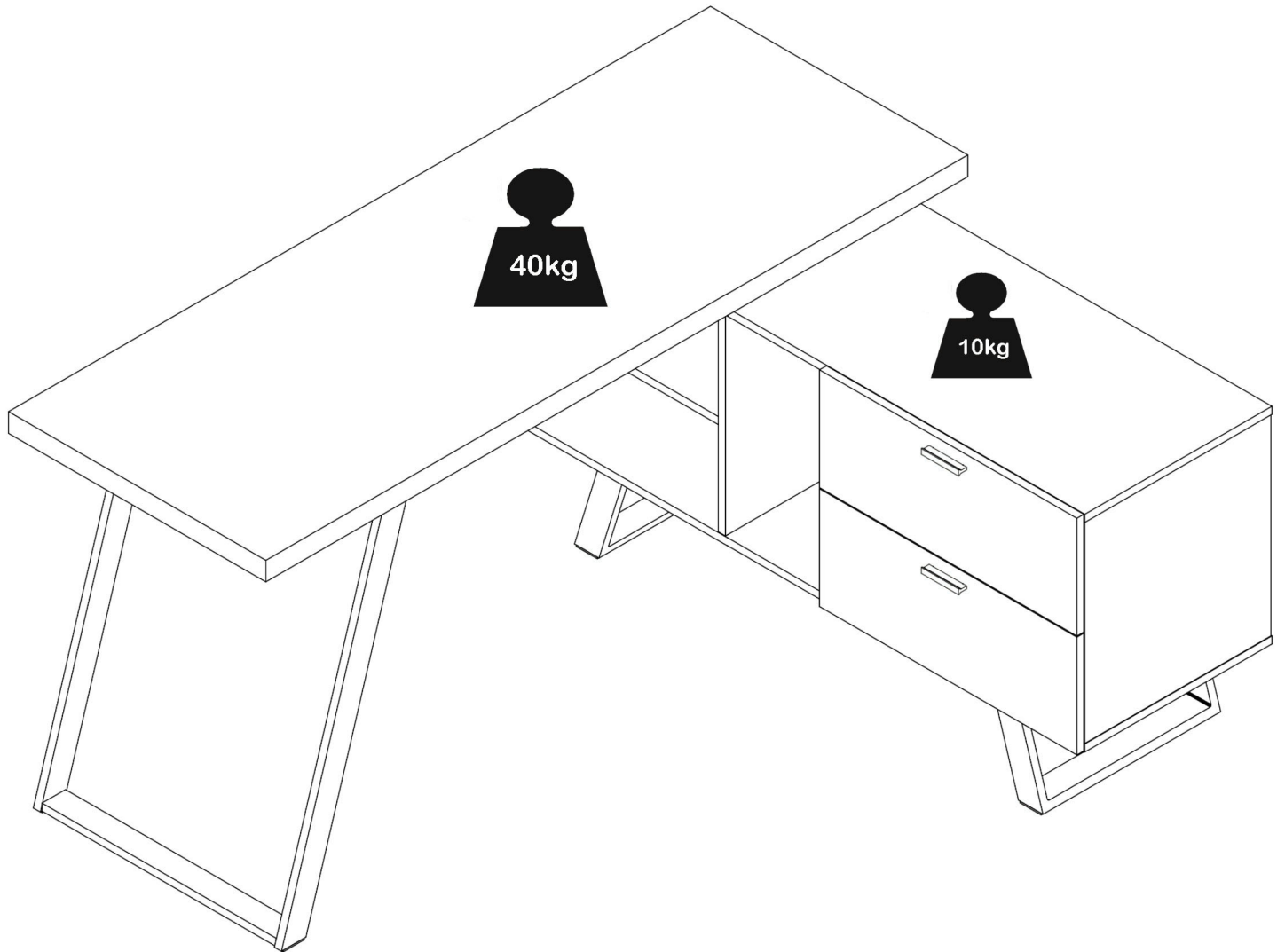
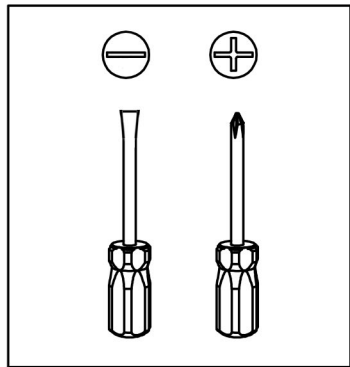
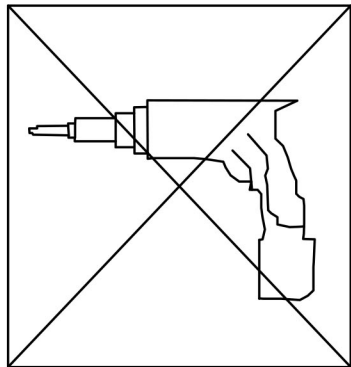
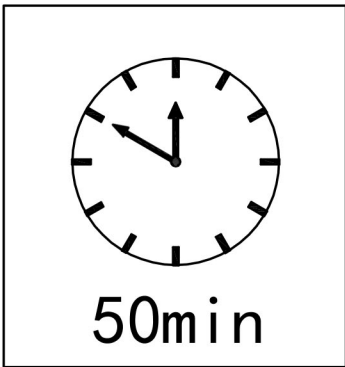
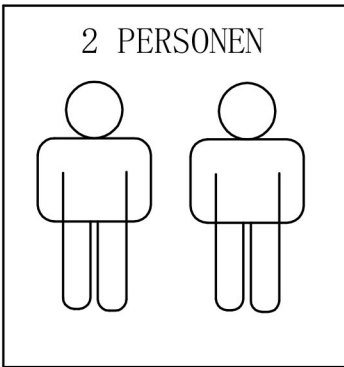
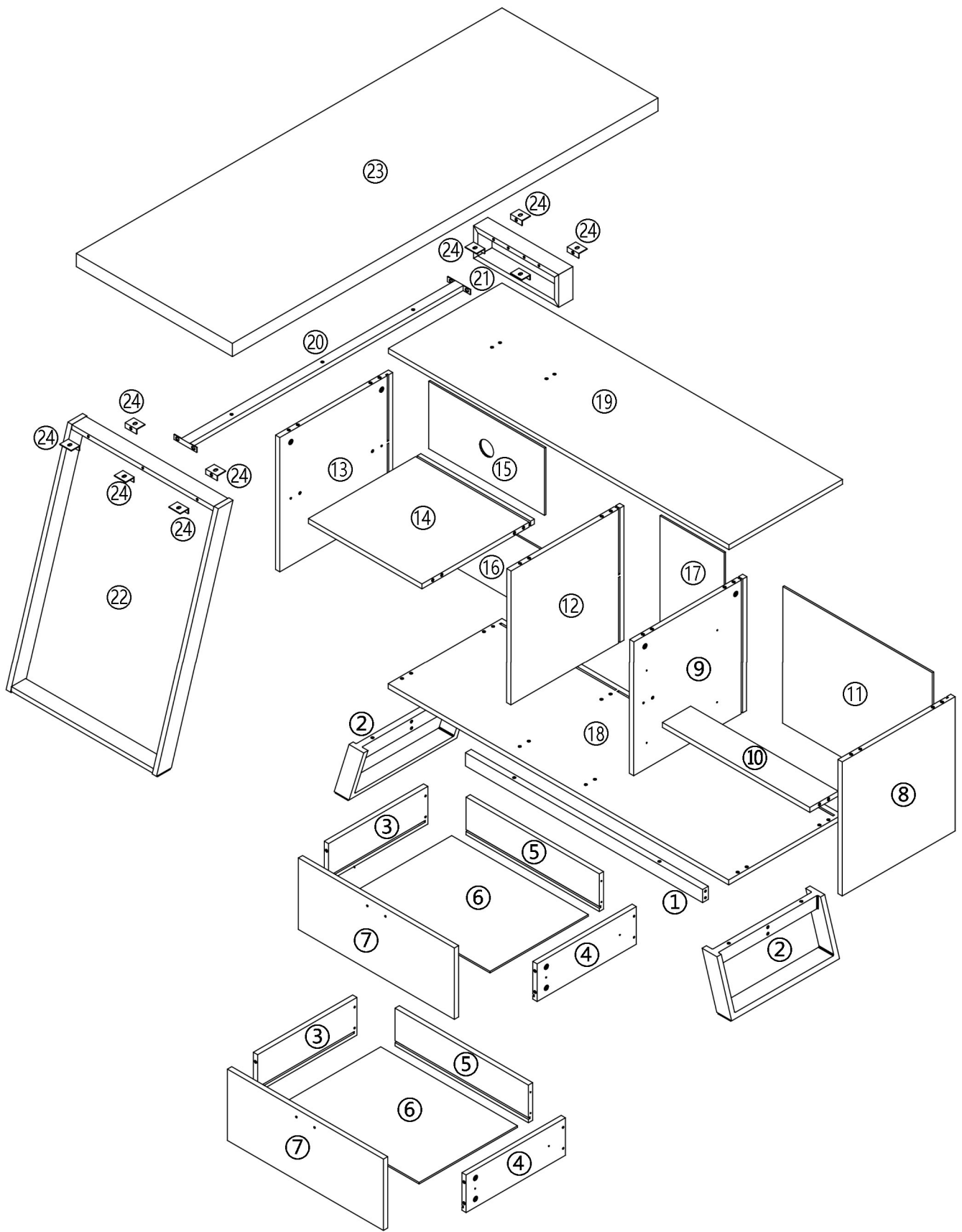


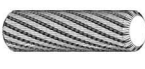
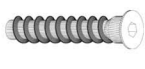




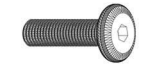


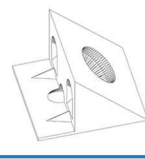


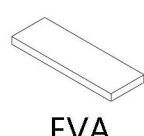


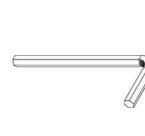
# Assemble instruction

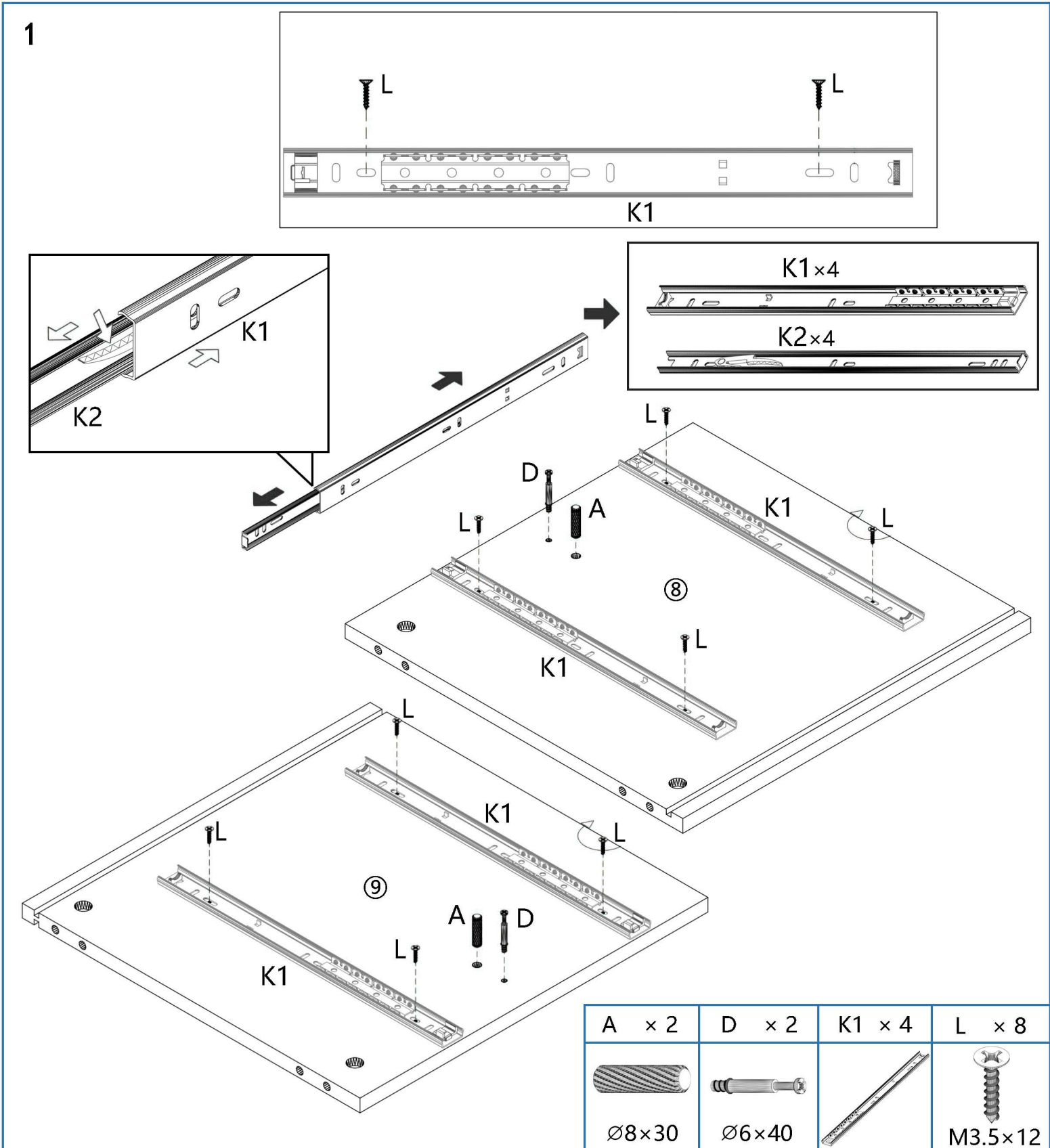
27980173-01/02/03

## CORINNA

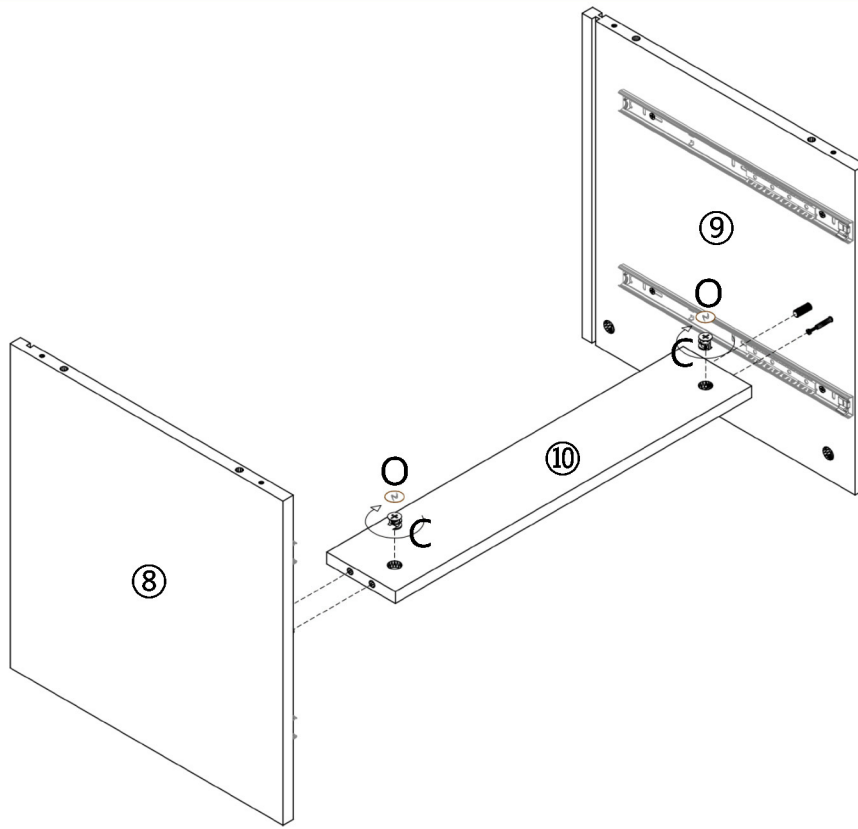


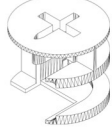
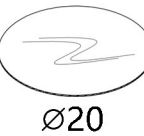


|   |   |   |  |   |   |   |  |
|---|---|---|--|---|---|---|--|
| A × 22<br><br>Ø8×30 | B × 8<br><br>M7×38 | C × 22<br> | D × 22<br><br>Ø6×40   | E × 6<br><br>M6×50 | F × 4<br><br>M6×35   | G × 7<br><br>M6×25 | H × 22<br><br>M6×12 |
| I × 2<br>           | J × 12<br>         | K × 4<br>  | L × 32<br><br>M3.5×12 | M × 6<br><br>EVA   | N × 8<br><br>M3.5×35 | O × 30<br><br>Ø20  | P × 1<br>           |

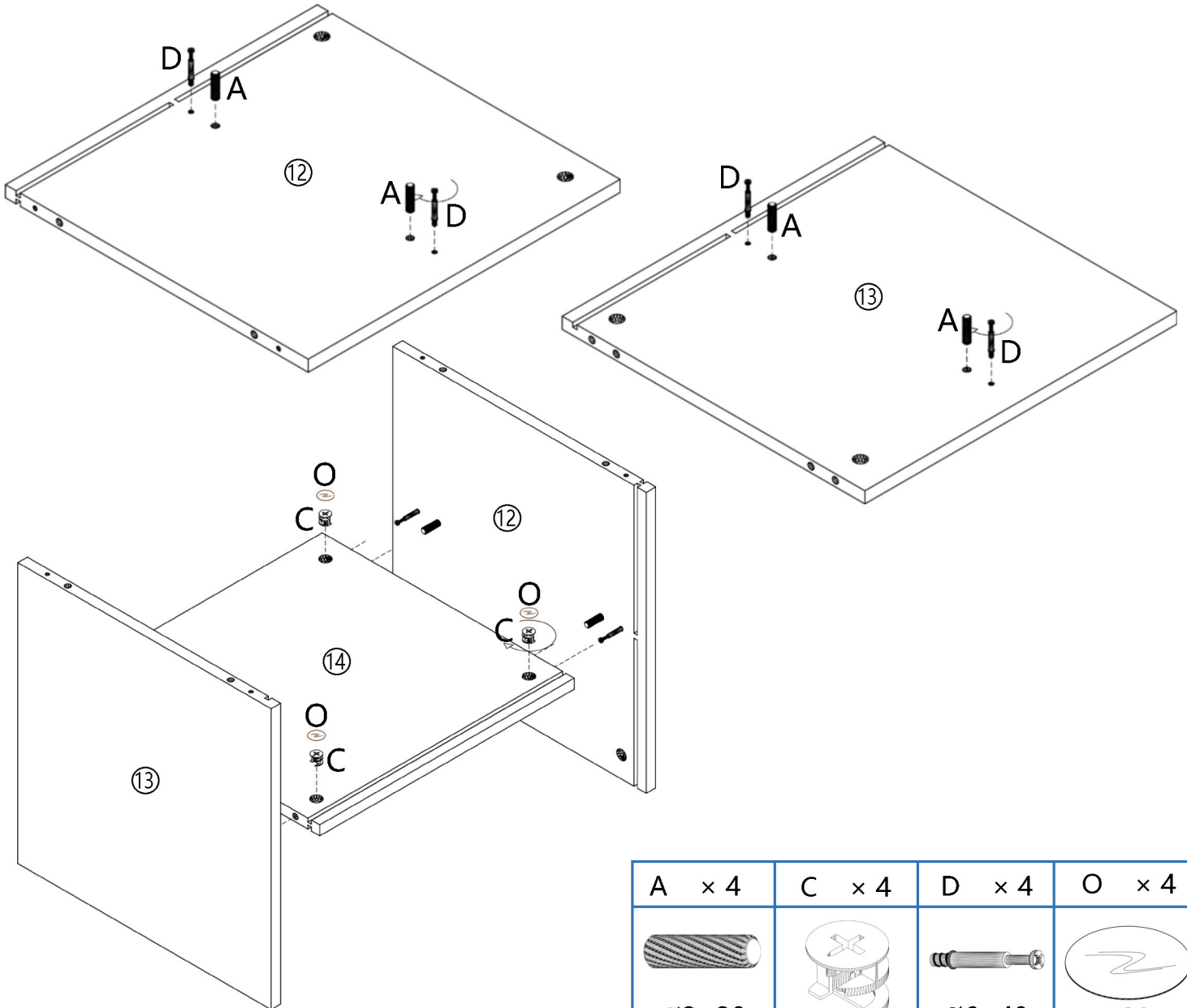


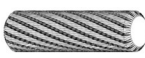
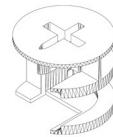


2



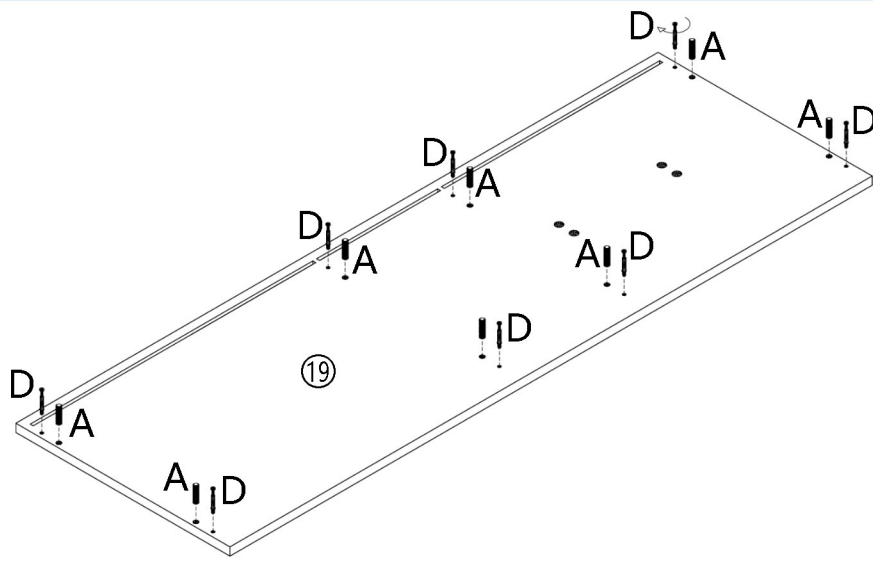
|   |   |
|---|---|
| C × 2   | O × 2   |
|  |  |
|   | Ø20   |

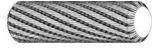

3



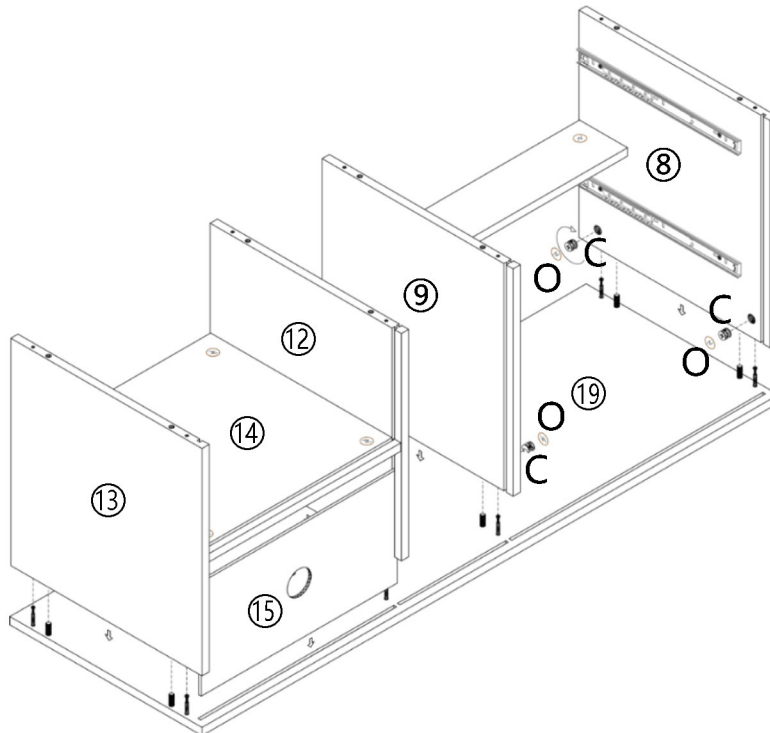
|  |   |   |   |
|--|---|---|---|
| A × 4  | C × 4   | D × 4   | O × 4   |
|  |  |  |  |
| Ø8×30  |   | Ø6×40   | Ø20   |



4



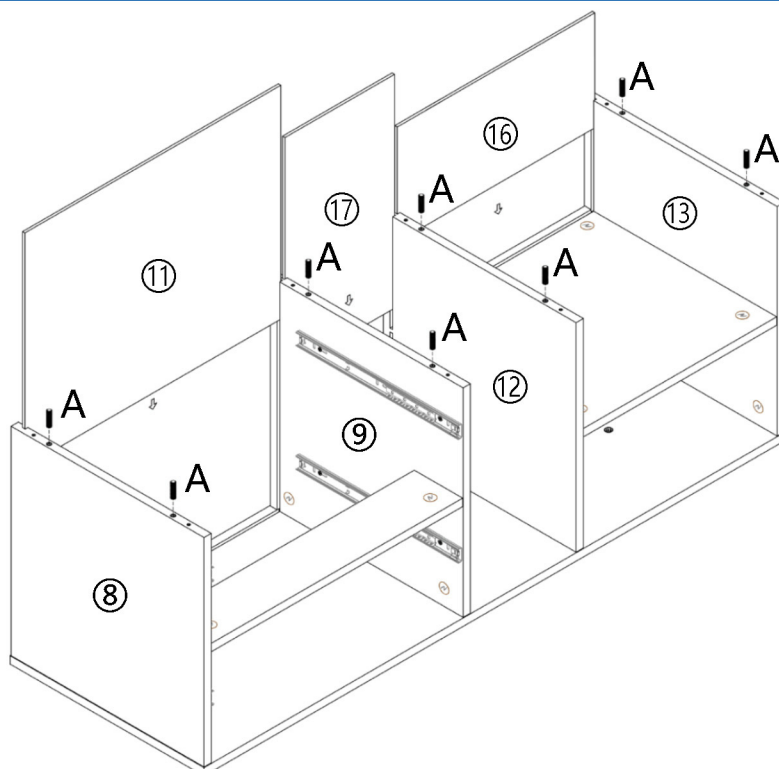
|   |   |
|---|---|
| A × 8   | D × 8   |
|  |  |
| Ø8×30   | Ø6×40   |

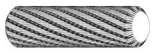
5



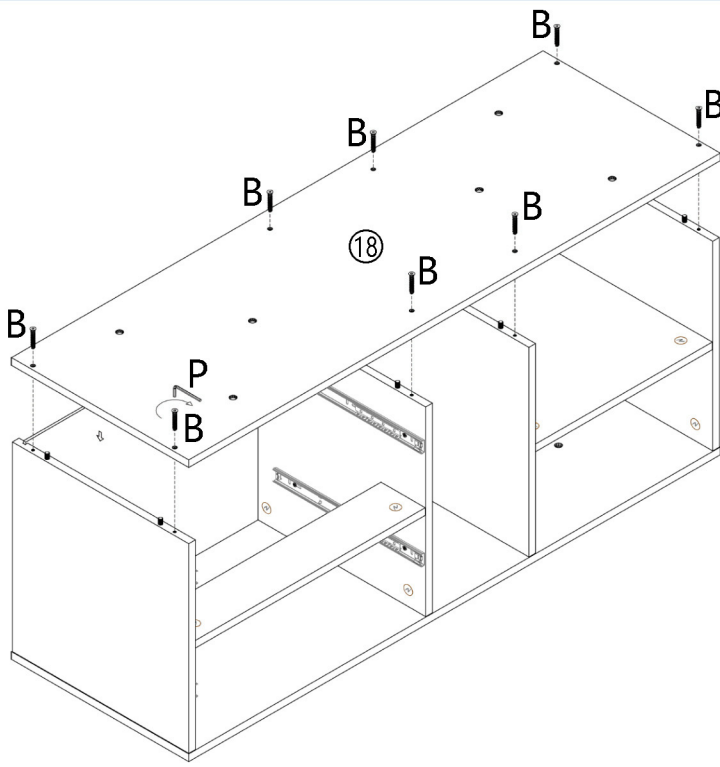
|   |   |
|---|---|
| C × 8   | O × 8   |
|  |  |
|   | Ø20   |



6



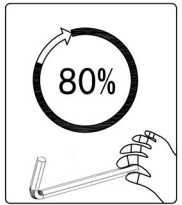
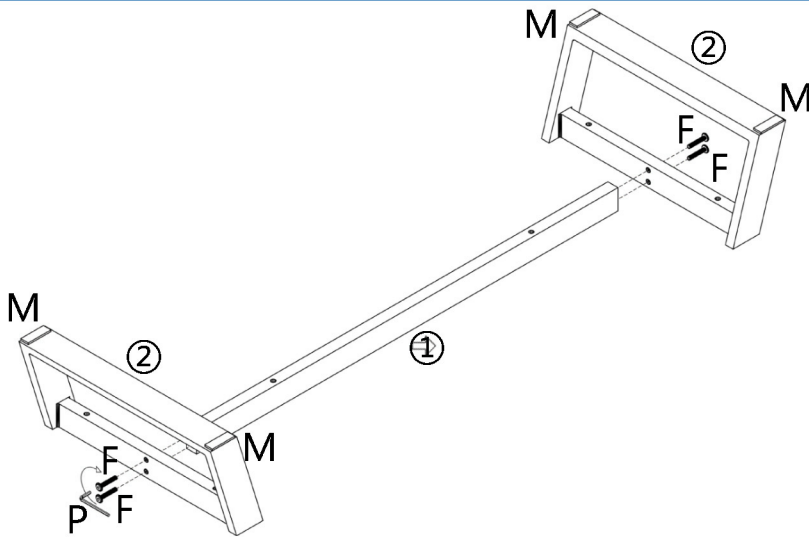
|   |
|---|
| A × 8   |
|  |
| Ø8×30   |




7



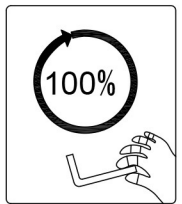
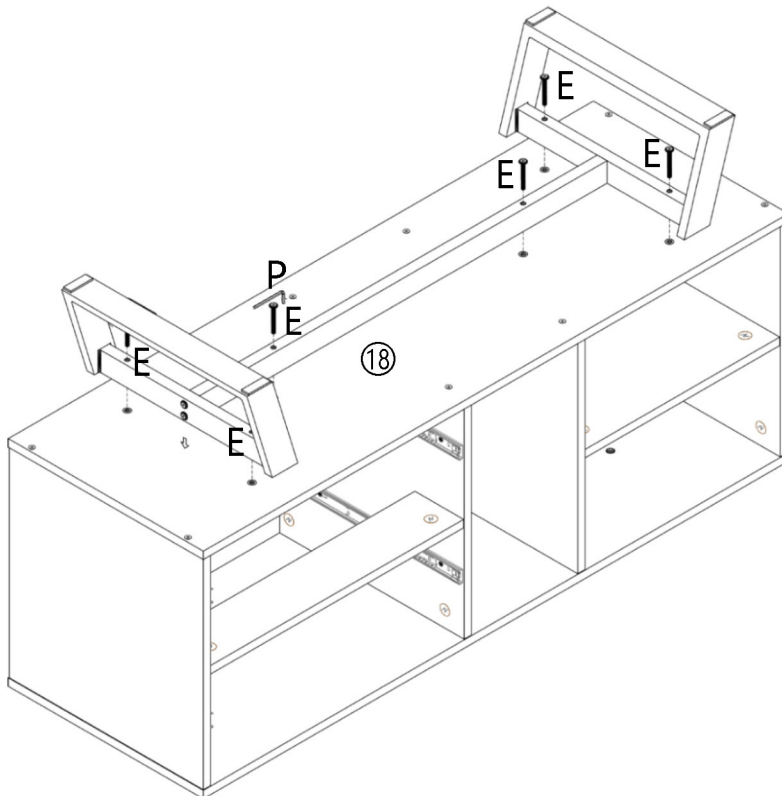
|   |   |
|---|---|
| B × 8   | P × 1   |
|  |  |
| M7×38   |   |



8



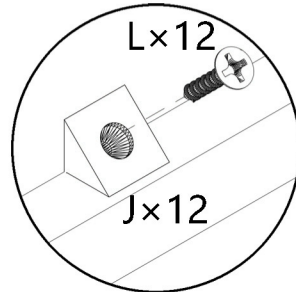
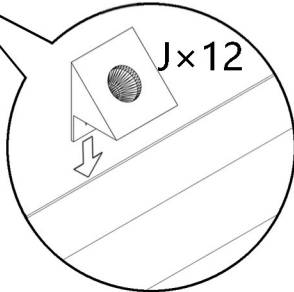
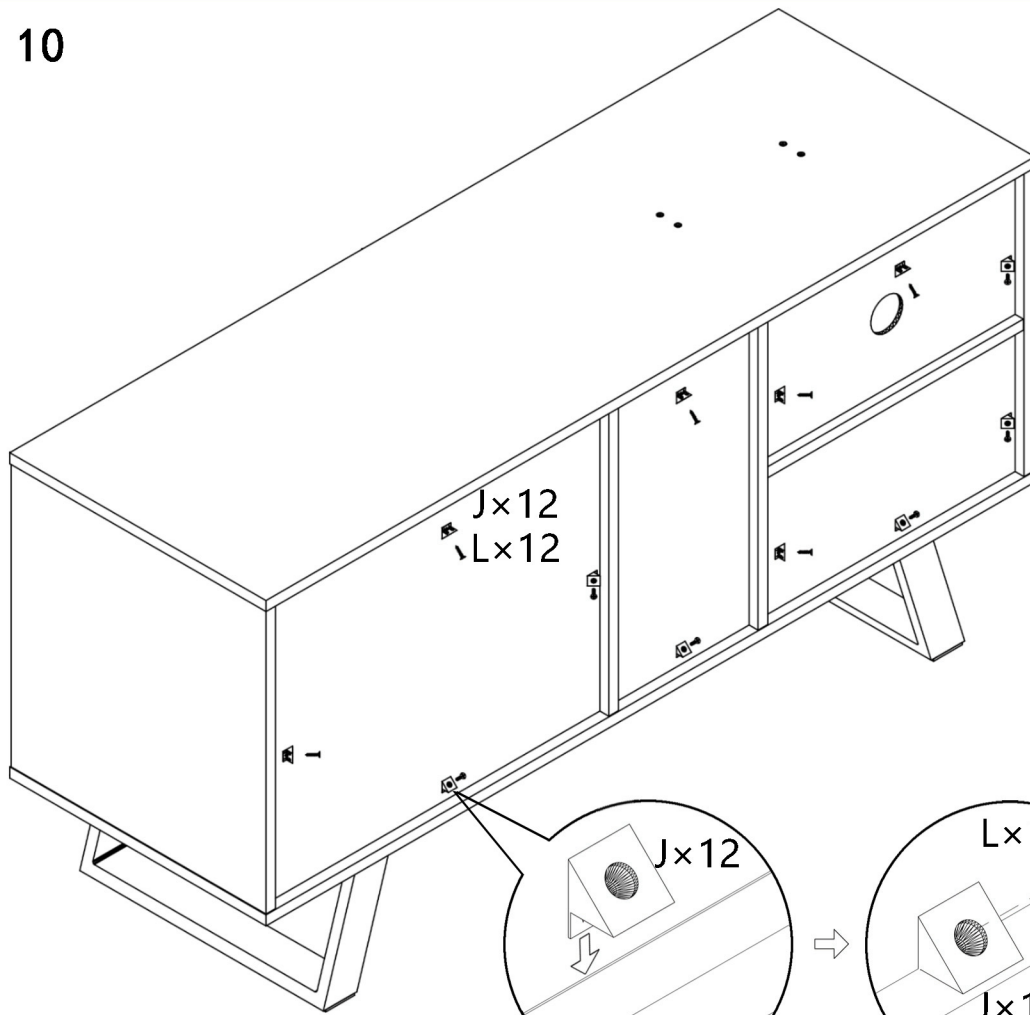
|   |   |   |
|---|---|---|
| F × 4   | M × 4   | P × 1   |
|  |  |  |
| M6×35   | EVA   |   |

9



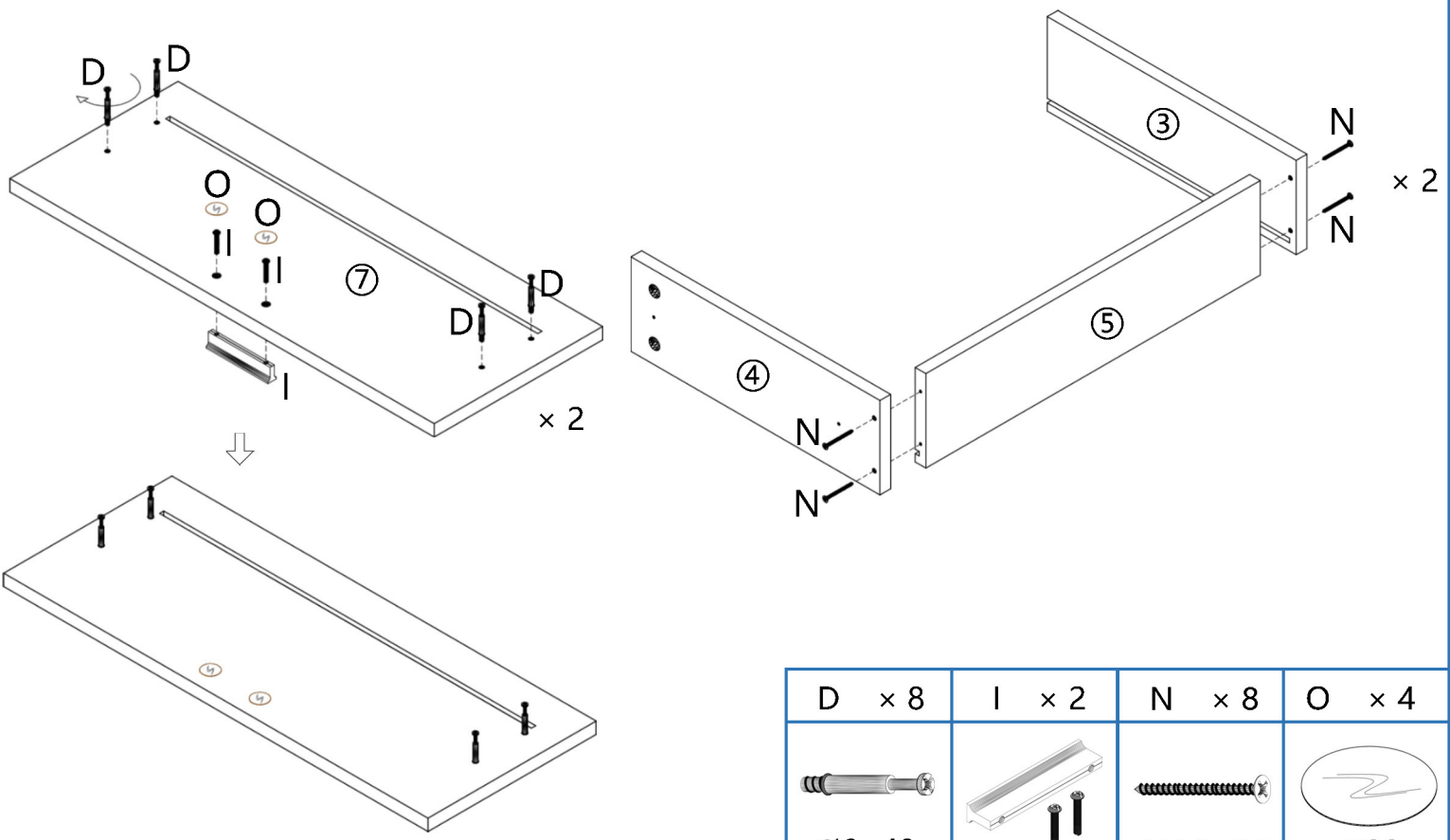
|   |   |
|---|---|
| E × 6   | P × 1   |
|  |  |
| M6×50   |   |

10



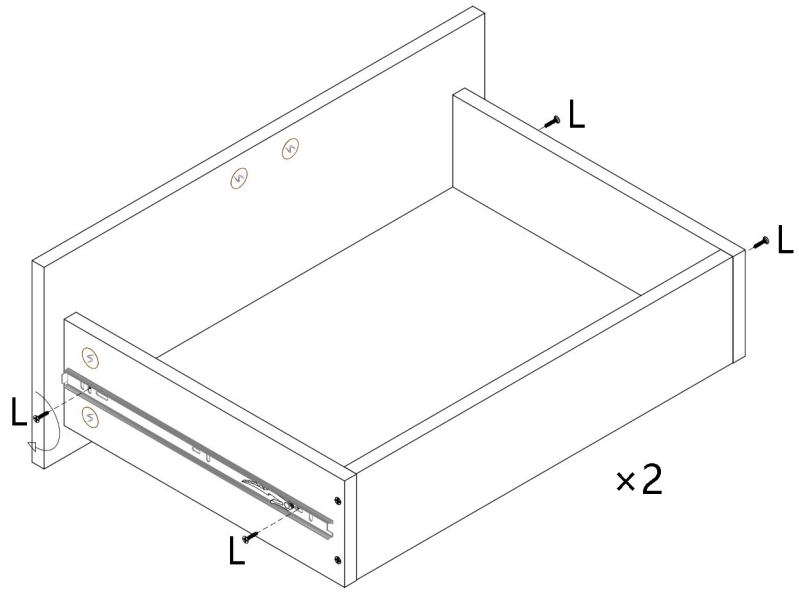
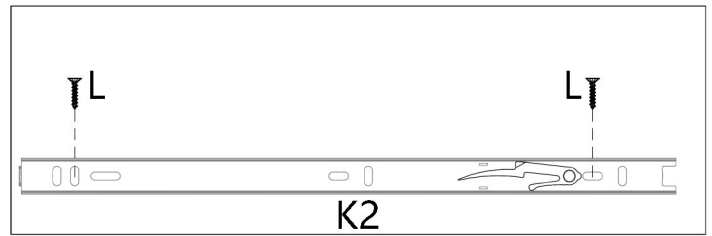
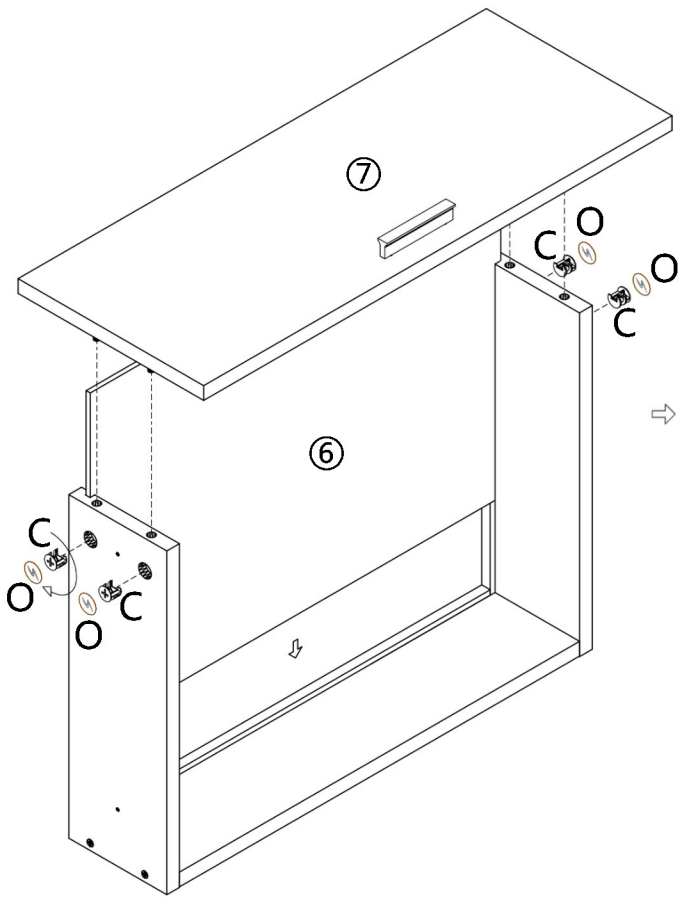
|        |         |
|--------|---------|
| J × 12 | L × 12  |
|        |         |
|        | M3.5×12 |


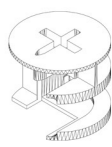


11



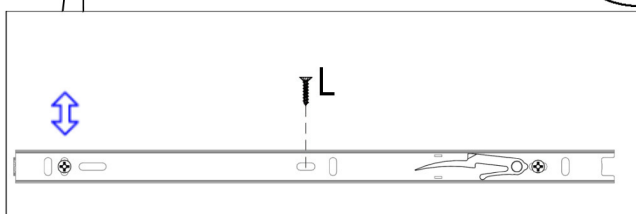
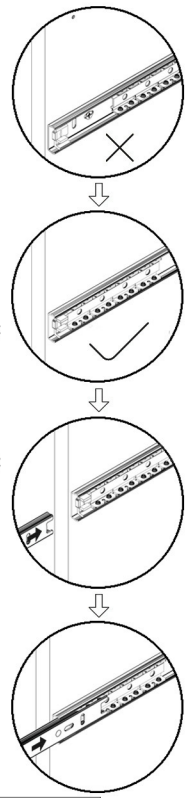
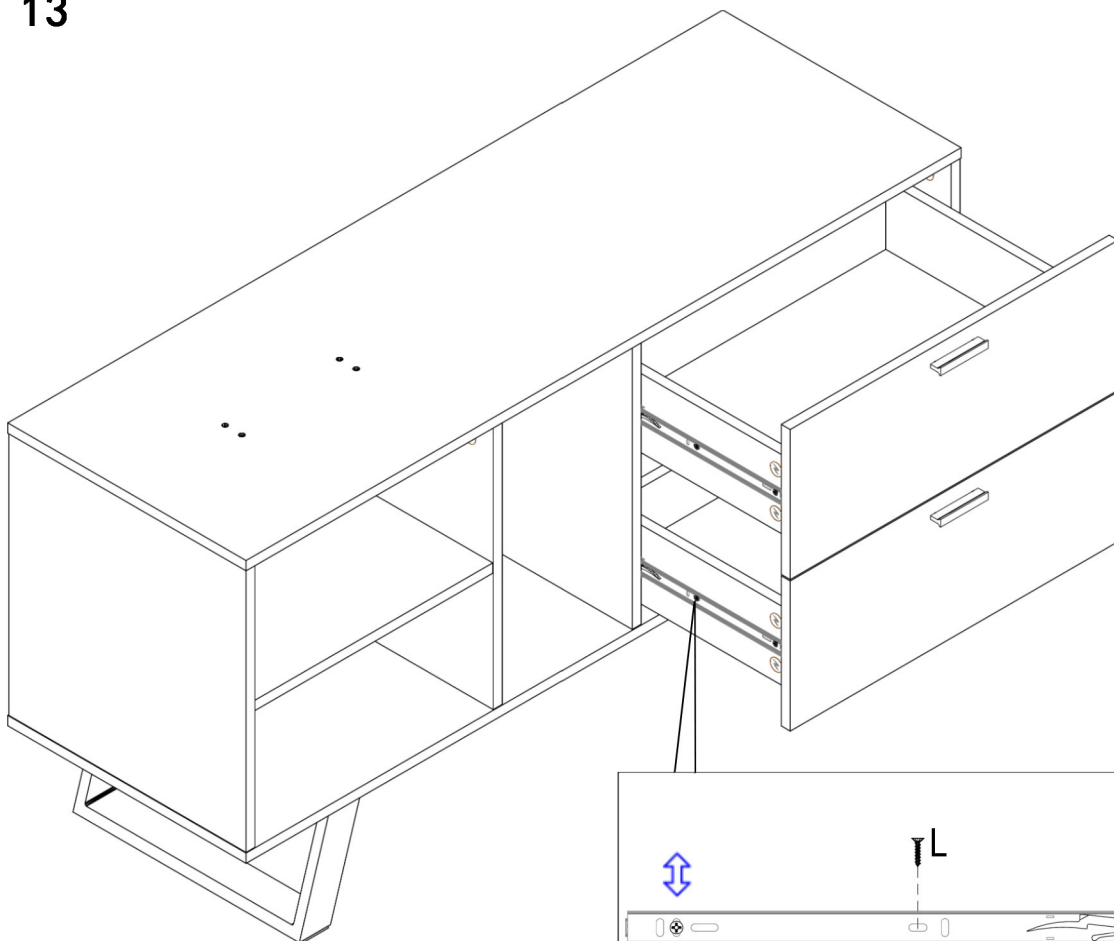
|       |       |         |       |
|-------|-------|---------|-------|
| D × 8 | I × 2 | N × 8   | O × 4 |
|       |       |         |       |
| ∅6×40 |       | M3.5×35 | ∅20   |


12



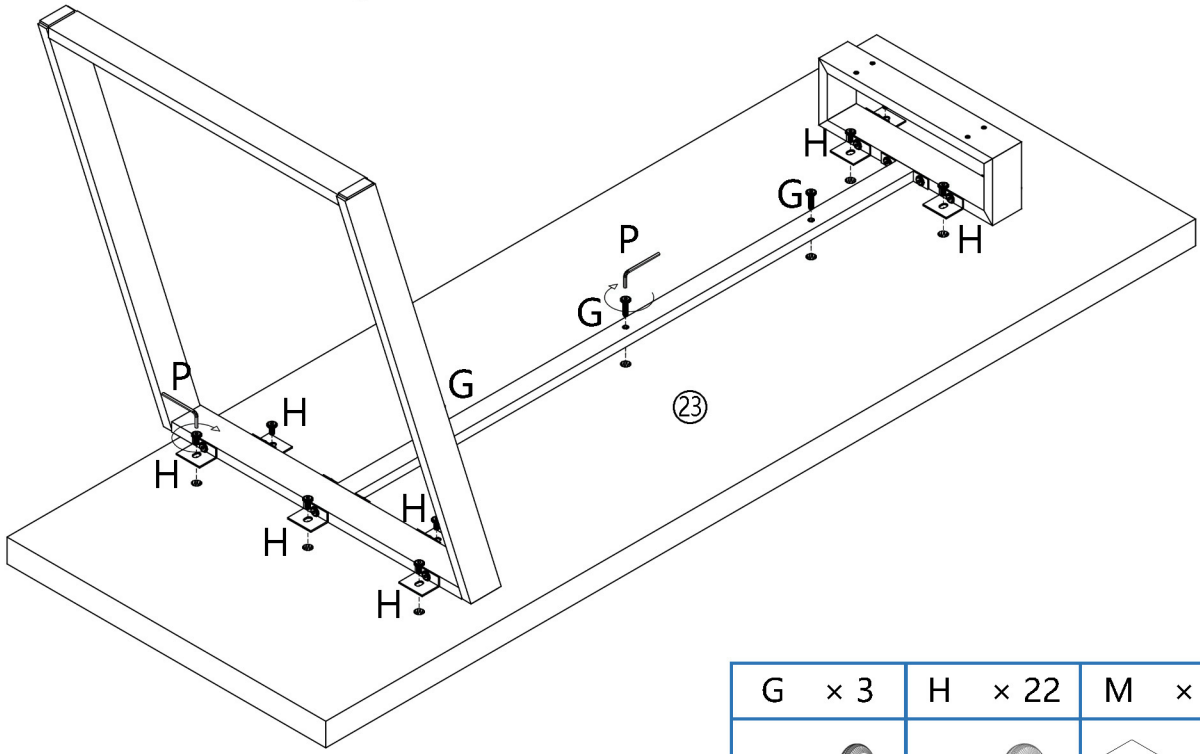
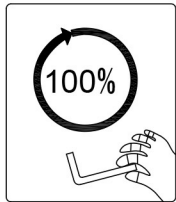
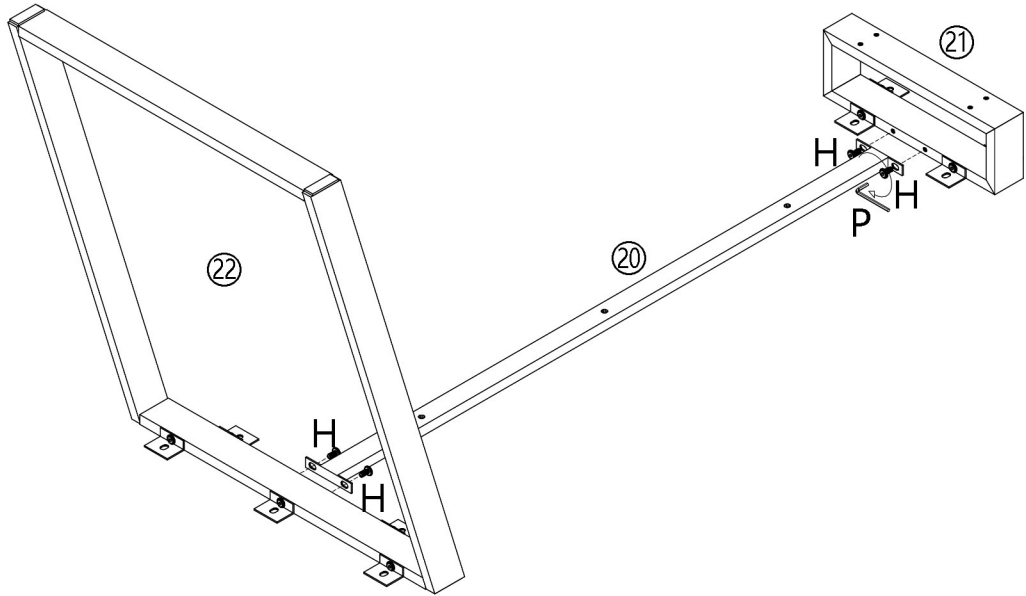
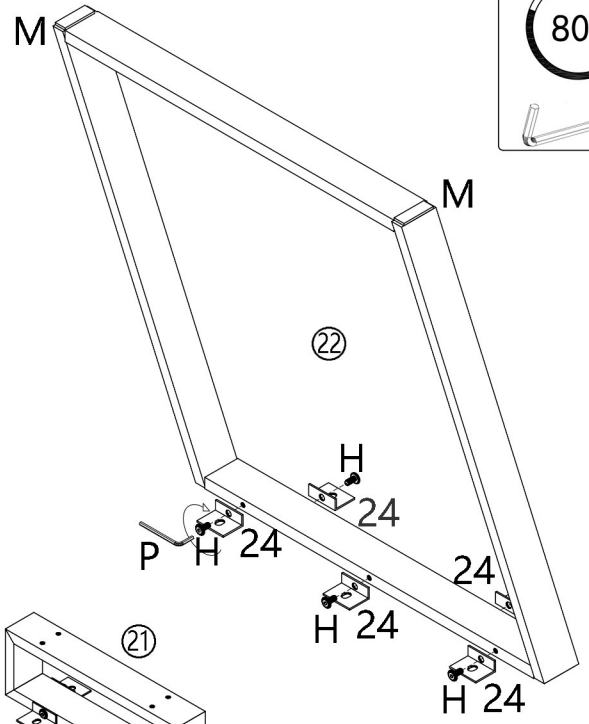
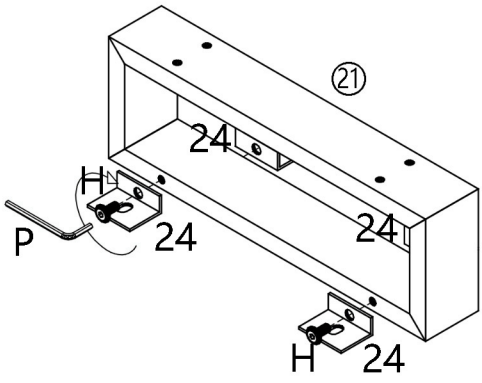
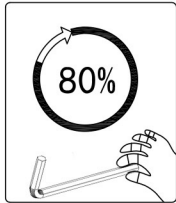
| K2 x 4  | C x 8  | L x 8   | O x 8   |
|---|--|---|---|
|  |  | <br>M3.5x12 | <br>Ø20 |

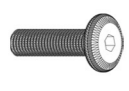

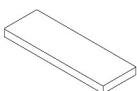

13



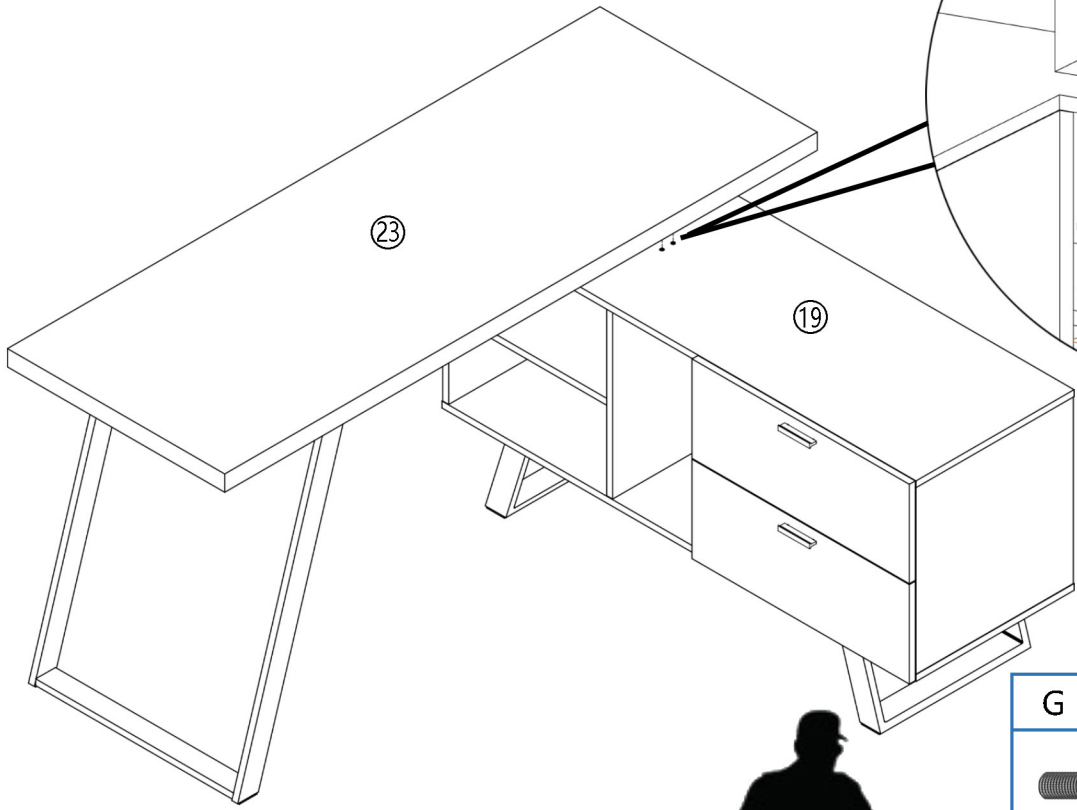
| L x 4  |
|--|
| <br>M3.5x12 |








|  |   |   |   |
|--|---|---|---|
| G × 3  | H × 22  | M × 2   | P × 1   |
|  |  |  |  |
| M6×25  | M6×12   | EVA   |   |

15



|  |  |   |
|--|--|---|
| G × 4  | O × 4  | P × 1   |
|  |  |  |
| M6×25  | Ø20  |   |

16

