

Please go to www.quoise.com for product cleaning tips. Go to the **Care + Maintenance** selection.

Tools Required: Flathead screwdriver, Phillips screwdriver, pliers, wire cutters, wire strippers, electrical tape, safety glasses.

Light Source: (4) Medium Base 100W Maximum, Alternate bulb (4) 23W CFL

Estimated Assembly Time: 30-45 minutes

Preparation: Identify and inspect all parts before beginning installation. Check package content list and diagrams below to be sure all parts are present. If any parts are missing or damaged, do not attempt to assemble, install, or operate the fixture. Contact customer service for replacement parts.

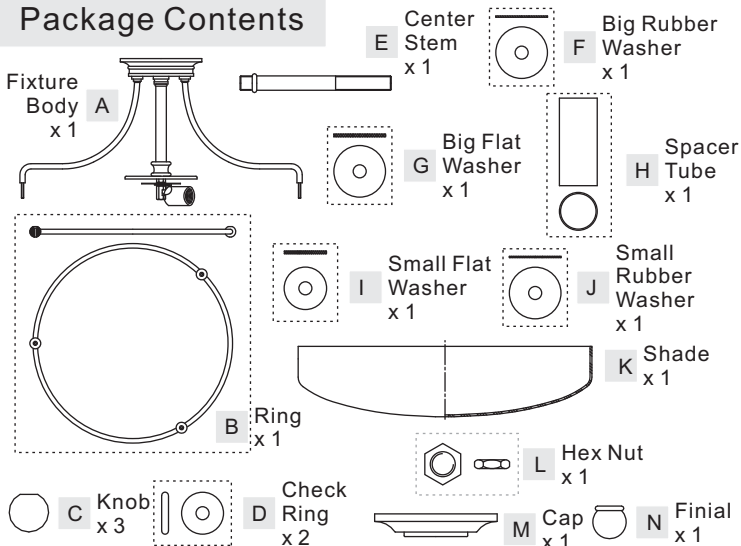
⚠ Warnings and Cautions

Turn off electricity at circuit breaker or main fuse box before installation. Consult a licensed electrician if in doubt.

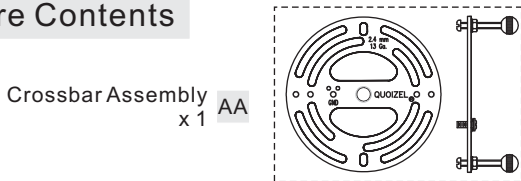
These instructions are provided for your safety. It is very important you read them completely before installing the fixture. We strongly recommend that a licensed, professional electrician perform the installation.

Disconnect fixture from power source before replacing bulbs. Make sure bulbs are given sufficient time to cool before removal. Do not subject glass parts to any shock while in operation or shattering may result.

Package Contents

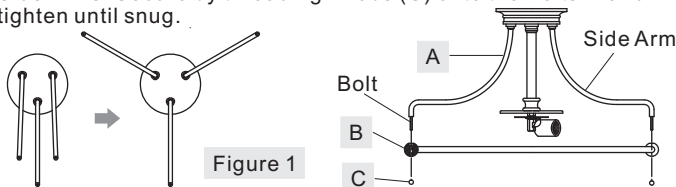


Hardware Contents



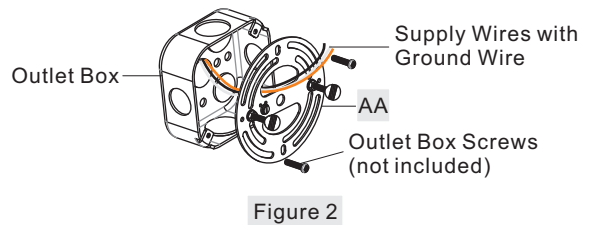
STEP 1 - Attach Ring to Socket Assembly

- Unfold Side Arms at 120 degree locations as shown.
- Place the Holes on the Ring (B) over the Bolts on the ends of the Side Arms. Secure by threading Knobs (C) onto the Bolts. Hand tighten until snug.



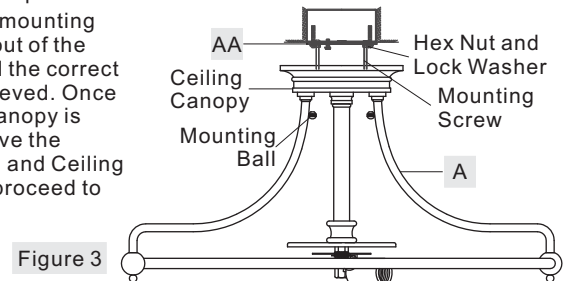
STEP 2 - Install Crossbar Assembly

- Pass the supply wires through the Crossbar Assembly (AA). Attach the Crossbar Assembly (AA) to the Outlet Box with the head of the Green Ground Screw facing you. Secure it with Outlet Box Screws (not included). Tighten until snug.



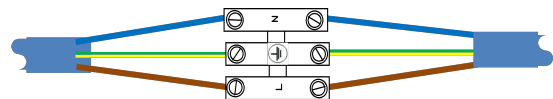
STEP 3 - Fit Ceiling Canopy to Crossbar Assembly

- Remove mounting balls from the Crossbar Assembly (AA). Fit the ceiling canopy of the Fixture Body (A) to the Crossbar Assembly (AA) and secure with mounting balls. Note: The Ceiling Canopy should be snug against the ceiling and the mounting balls. If not, adjust the length of the nipple on the Crossbar Assembly (AA) by unscrewing the preassembled hex nut and lock washer and then screwing the mounting screws in or out of the crossbar until the correct length is achieved. Once the Ceiling Canopy is secure, remove the mounting ball and Ceiling Canopy and proceed to Step 4.



STEP 4 - Wire Connections

- Use standard wire connectors (not included) to make all wire connections. (Connectors are not included with fixture.) Twist connectors until wires are tightly joined together. Wrap each connection with approved electrical tape and carefully stuff all the connected wires into the Outlet Box.



STEP 5 - Install Fixture Body

- Carefully tuck all wires into the outlet box and position the Ceiling Canopy on the Fixture Body (A) over the outlet box. Align the holes in the Ceiling Canopy with the mounting screws, then attach the

Thank you for purchasing a Quoizel product

Need assistance with parts or assembly? Call our customer service at +44(0) 1420 82377 or visit us at www.elsteadlighting.com

Ceiling Canopy using the previously removed mounting balls. Hand tighten until snug.

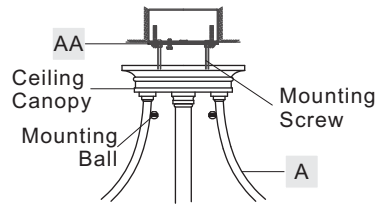


Figure 5

STEP 6 - Install Shade

- A. Place one Check Ring (D) over the beaded end of the Center Stem (E). And then thread the beaded end of the Center Stem (E) into the Hex Coupling underside of the Fixture Body (A). Hand tighten until snug.
- B. Place the following components over the end of the Center Stem (E) as shown: Spacer Tube (H), Check Ring (D), Big Flat Washers (G), Big Rubber Washers (F), Small Flat Washers (I), Small Rubber Washers (J) and Shade (K). Secure by threading Hex Nut (L) onto the end of the Center Stem (E). Hand tighten until snug.

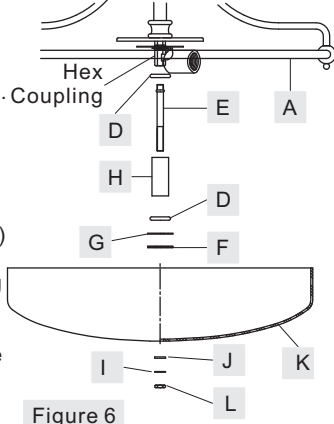


Figure 6

STEP 7 - Install Cap

- A. Place the Cap (M) over the end of the Center Stem (E) and secure with the Finial (N). Hand tighten until snug.

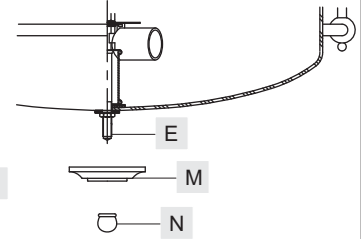


Figure 7

STEP 8 - Install Bulb

- A. This fixture uses standard bulb with medium screw base. Maximum 100 watts.
- B. Insert bulb and screw snugly into place.

Your fixture is now assembled and ready to use. Enjoy!

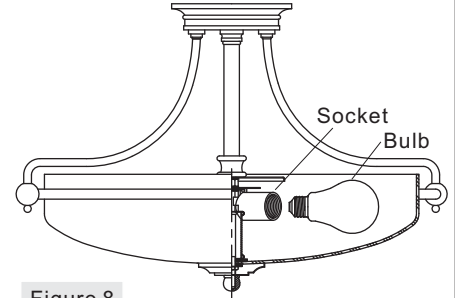
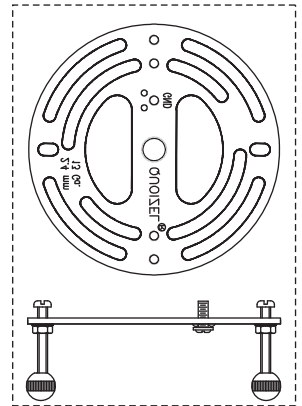
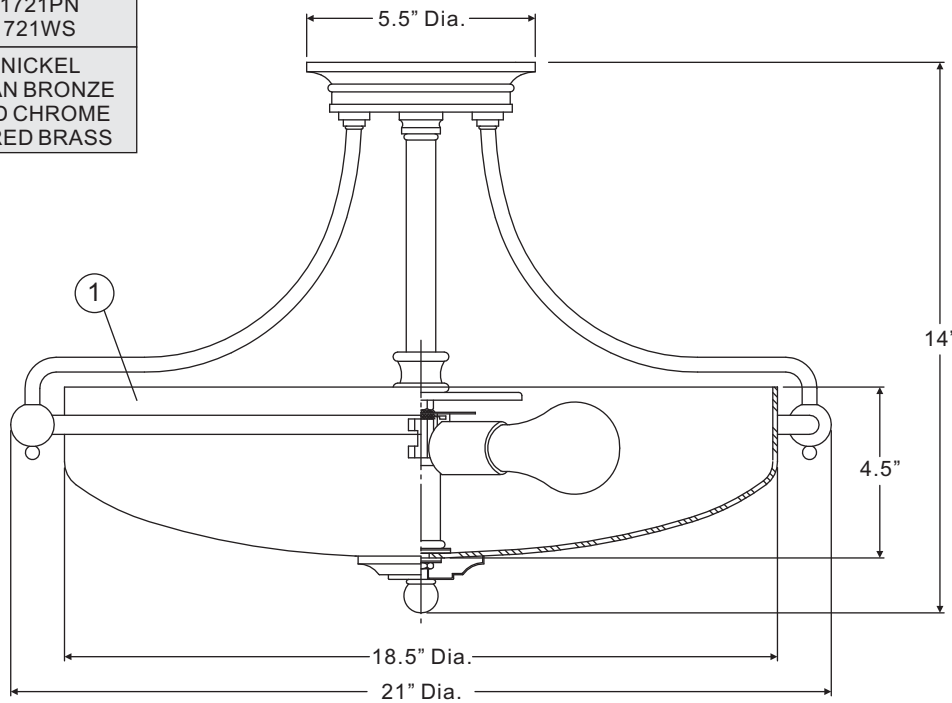


Figure 8

GF1721AN\GF1721PN
\GF1721C\GF1721WS

FINISH: ANTIQUE NICKEL
PALLADIAN BRONZE
POLISHED CHROME
WEATHERED BRASS



(4) 100W Medium Base Bulbs (Not Supplied)

NOTE: ALL DIMENSIONS ARE ROUNDED UP TO THE NEAREST 1/2"

NO.	PART NUMBER	REPLACEMENT PART	REQ.
1	G2445SH	GLASS	1

Thank you for purchasing a Quoizel product

Need assistance with parts or assembly? Call our customer service at +44(0) 1420 82377 or visit us at www.elsteadlighting.com

February 2015