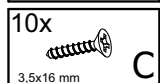
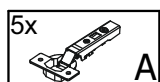
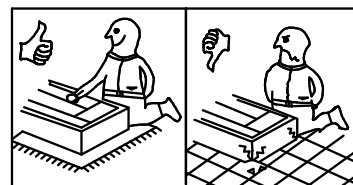
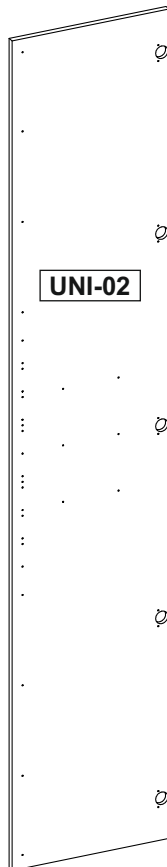


UNIT

UNI-02	4003600	2348x453x18	1/1
--------	---------	-------------	-----

20 min

φ5



Option I

1x

D

5x

4x27 mm

E

Option II

1x

F

2x

4x22 mm

G

Option III

1x

H

2x

4x27 mm

I

Option IV

1x

J

2x

4x22 mm

K

Option V

1x

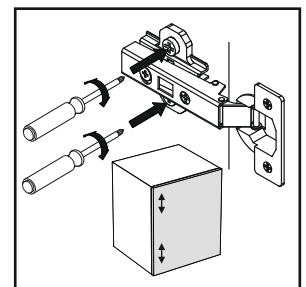
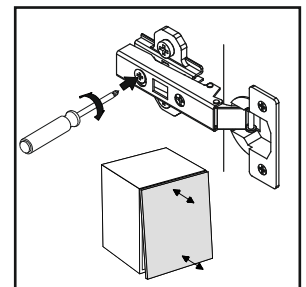
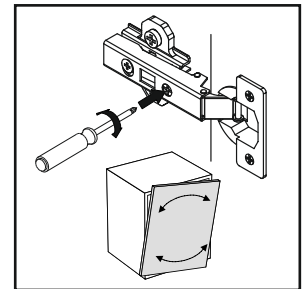
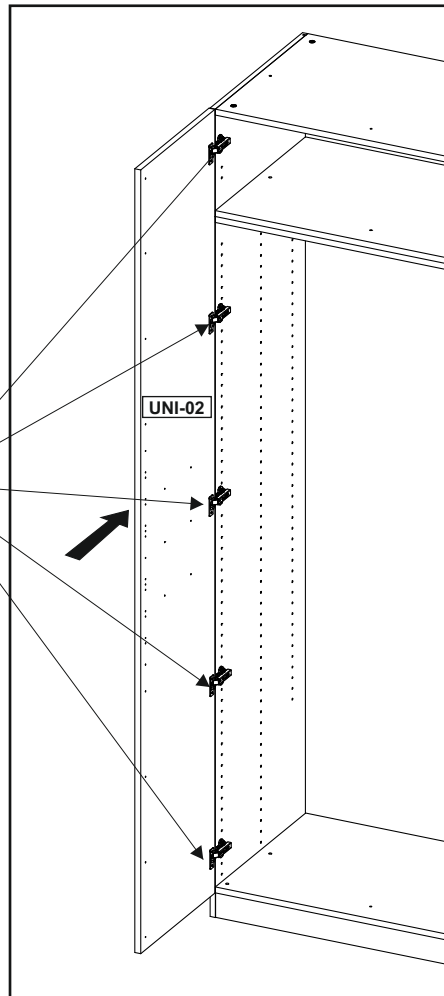
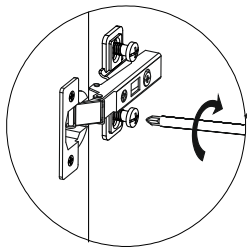
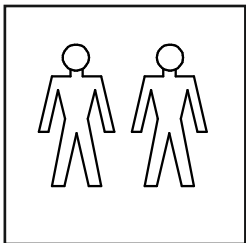
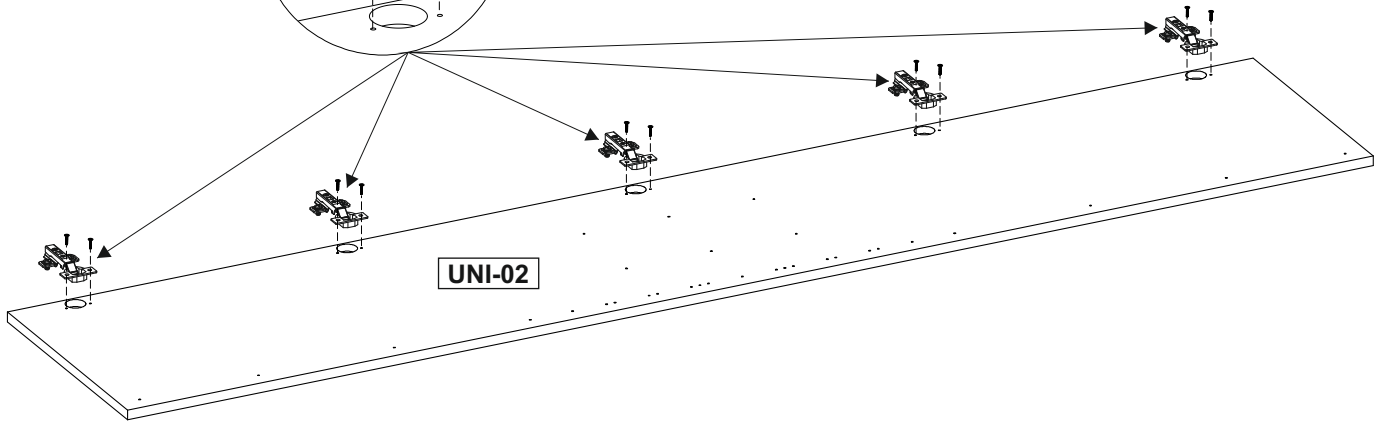
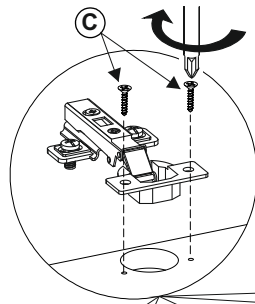
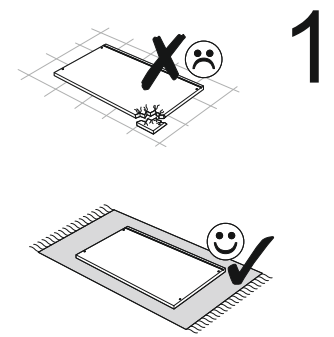
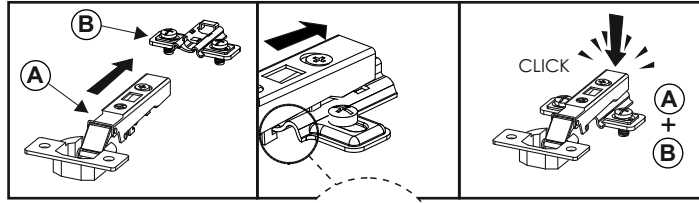
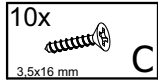
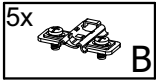
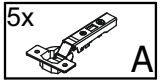
L

1x

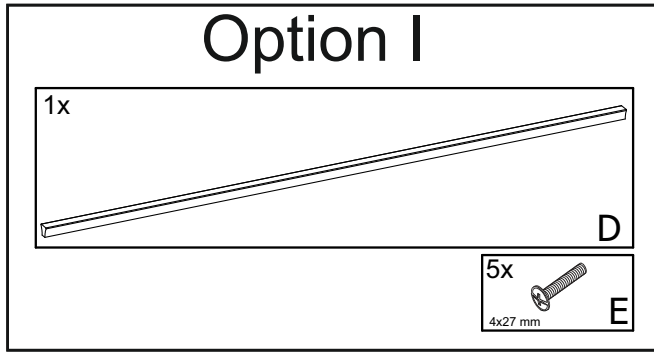
4x27 mm

M

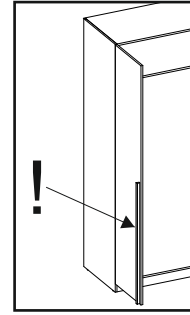
UNIT



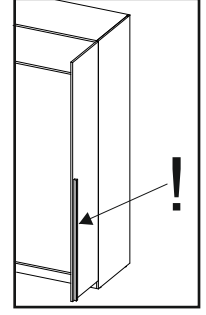
Option I



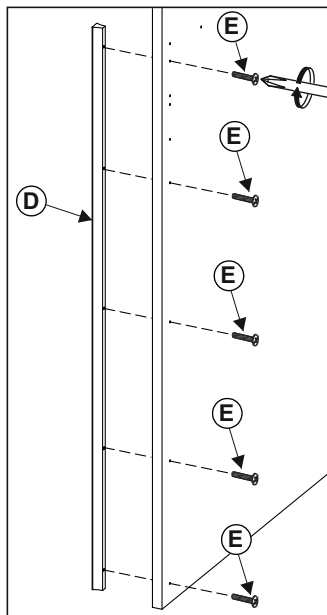
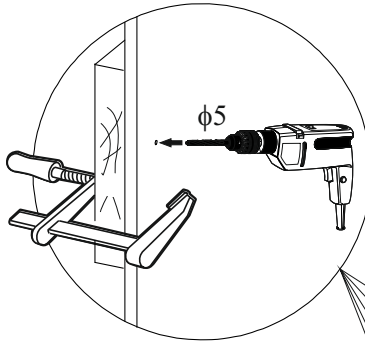
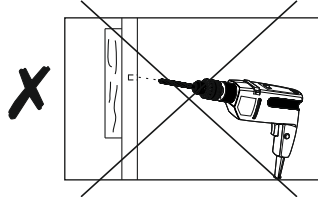
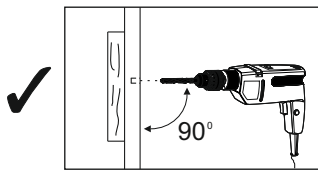
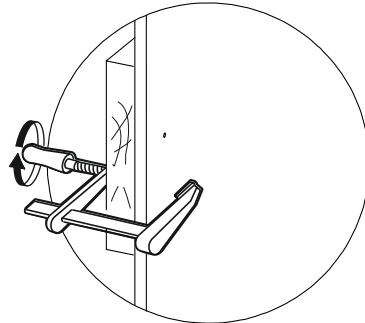
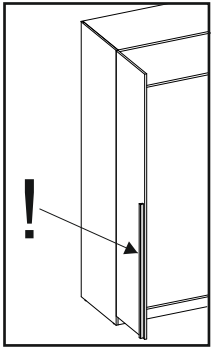
Left door



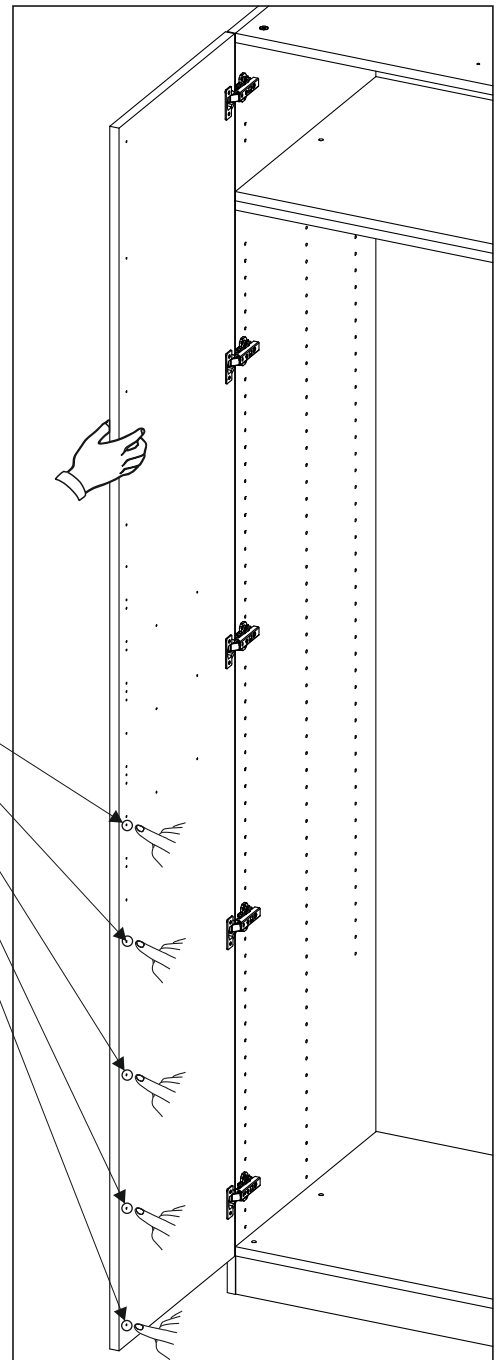
Right door



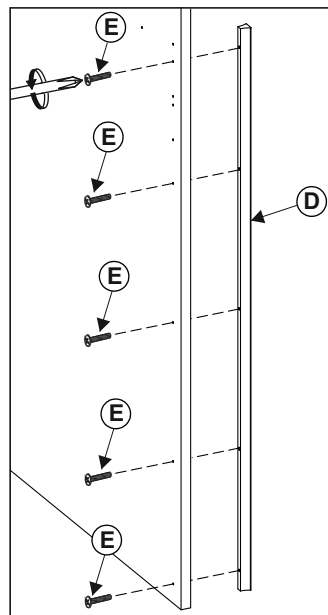
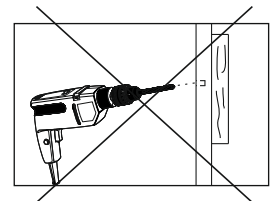
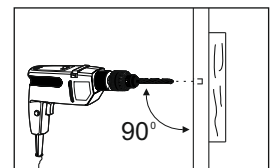
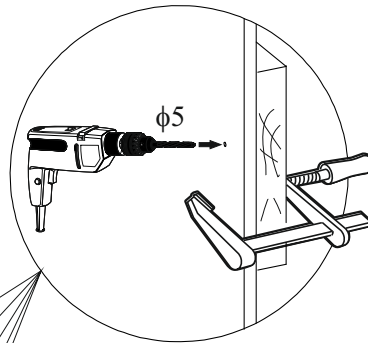
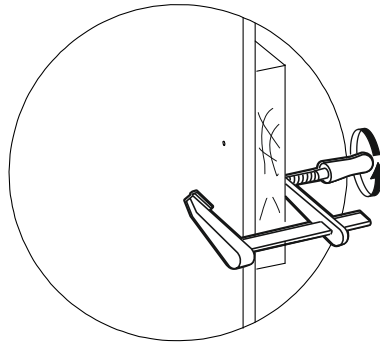
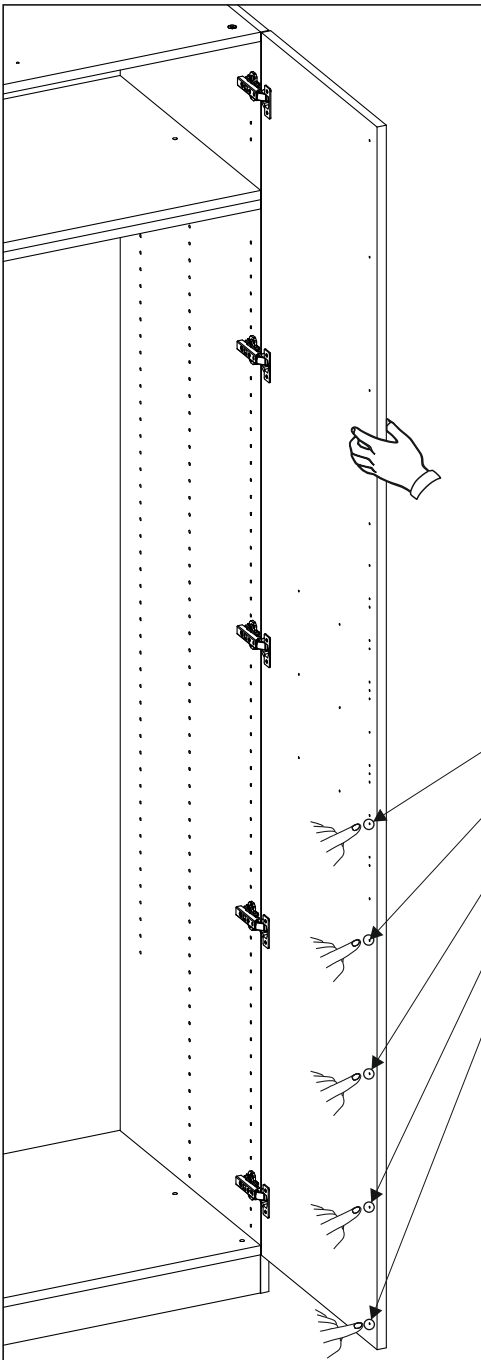
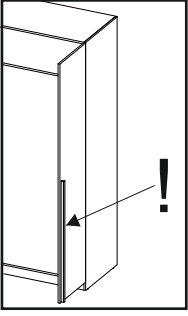
Left door



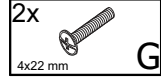
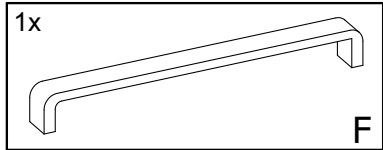
3



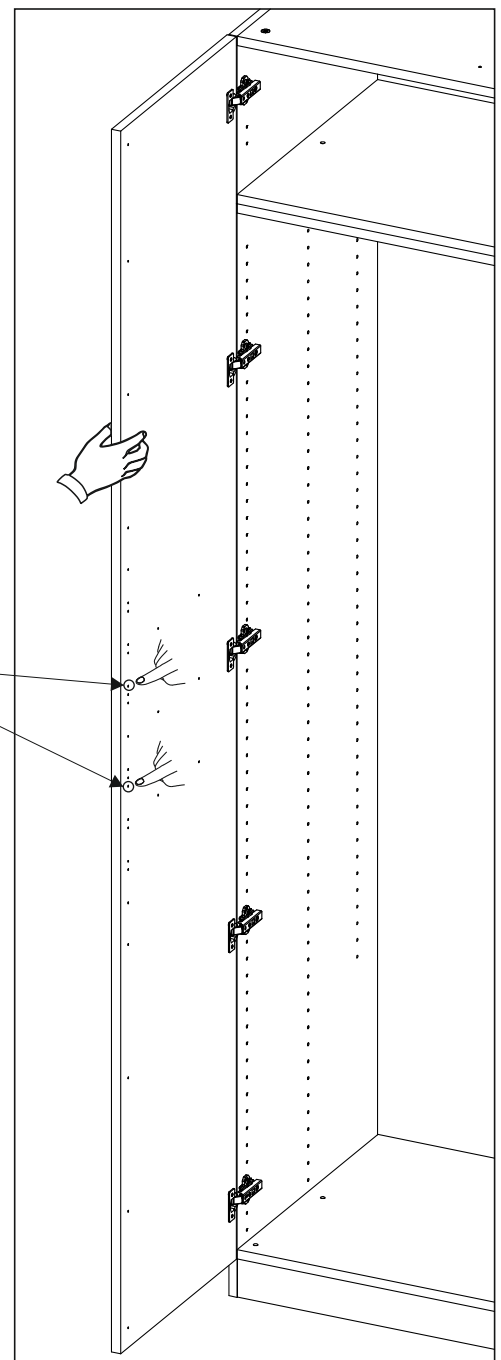
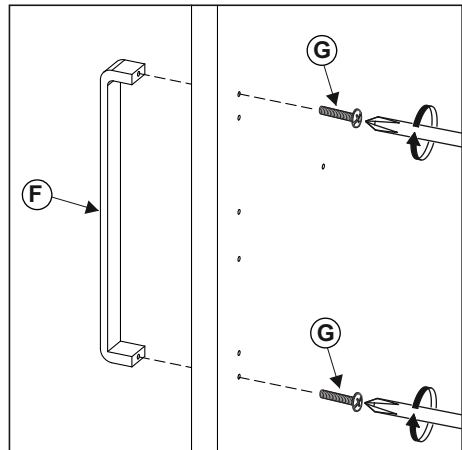
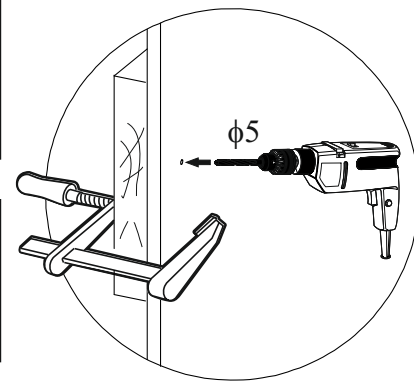
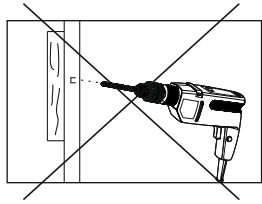
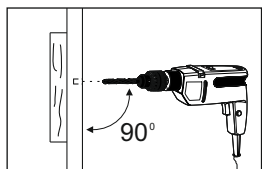
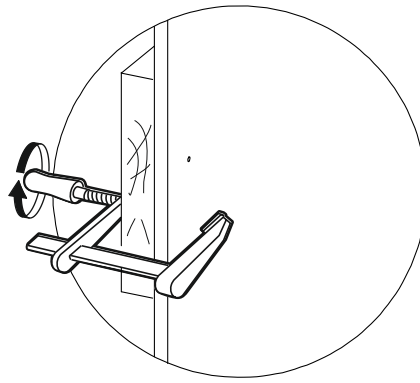
Right door



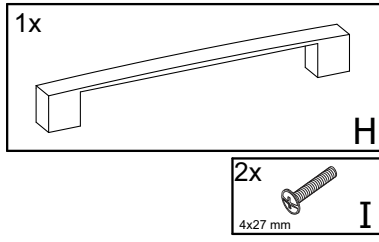
Option II



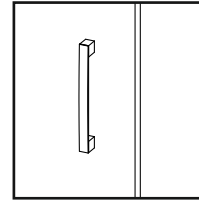
5



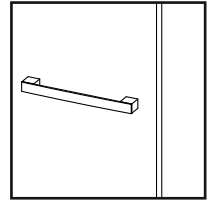
Option III



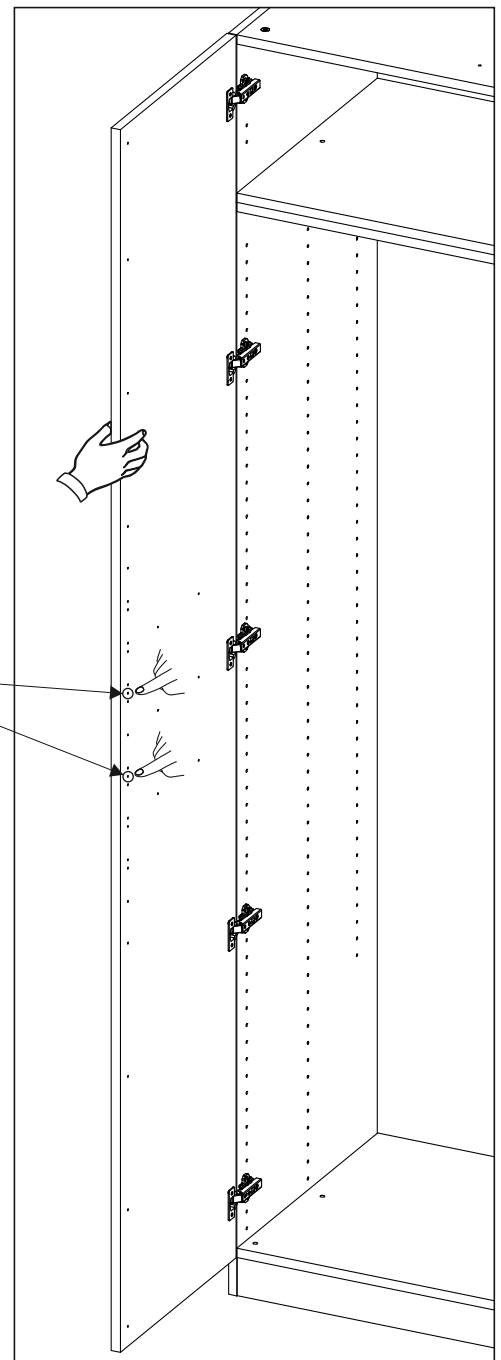
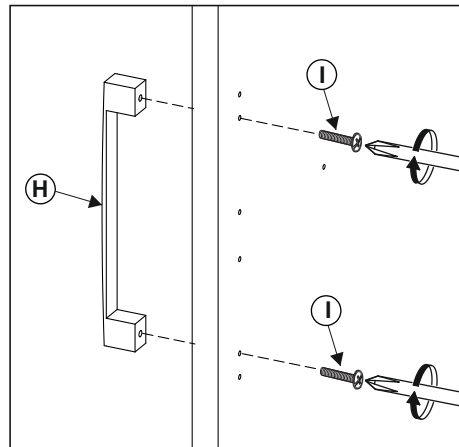
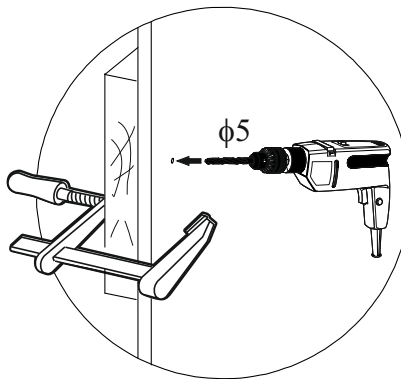
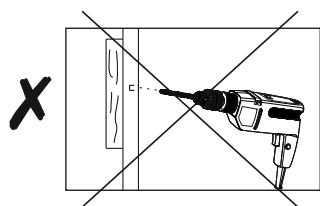
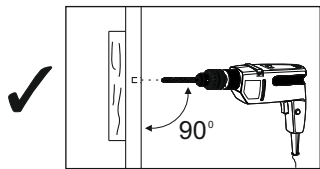
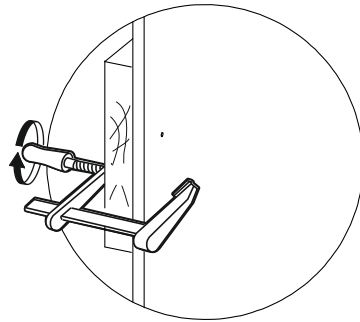
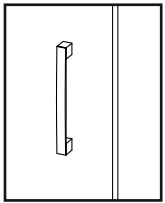
Version A



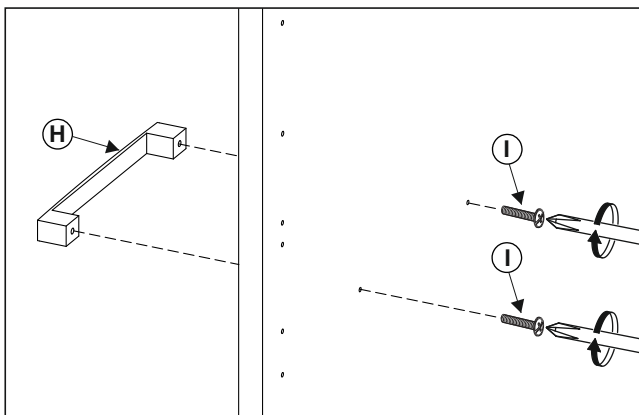
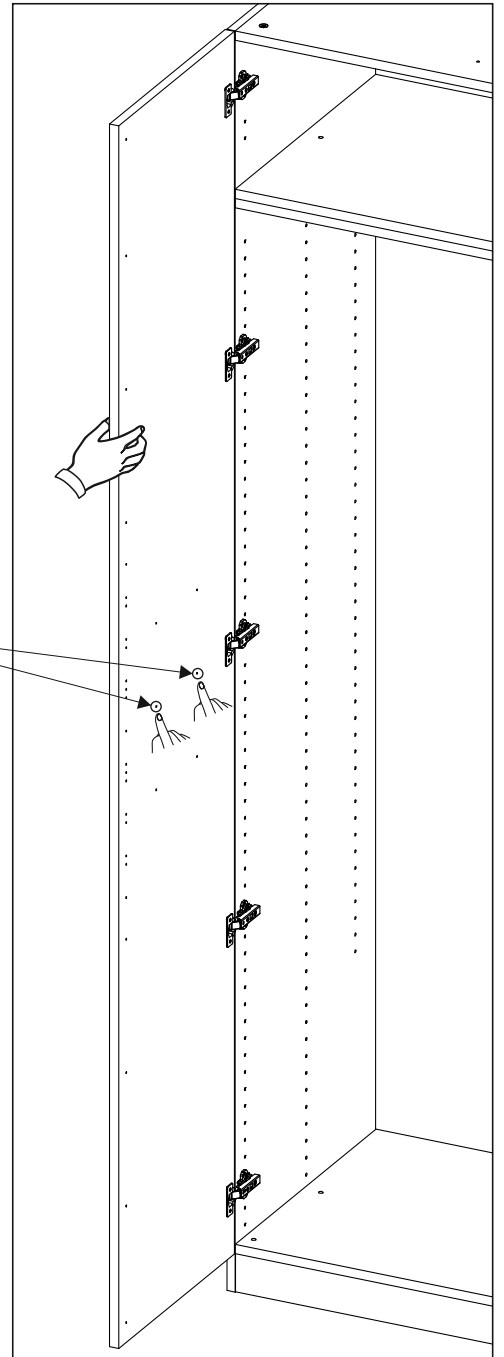
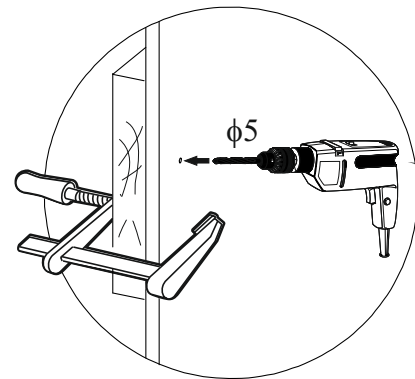
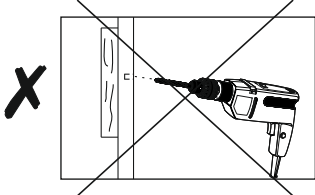
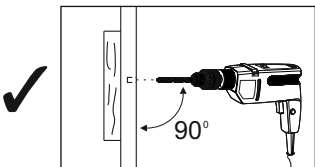
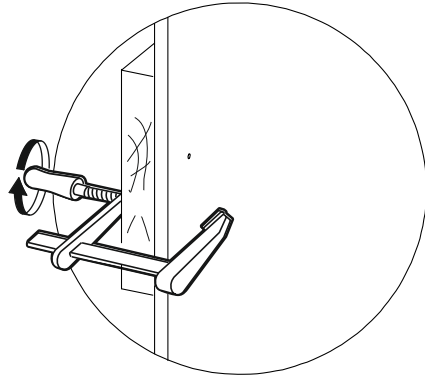
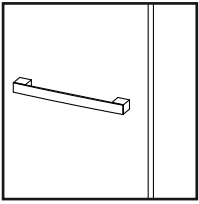
Version B



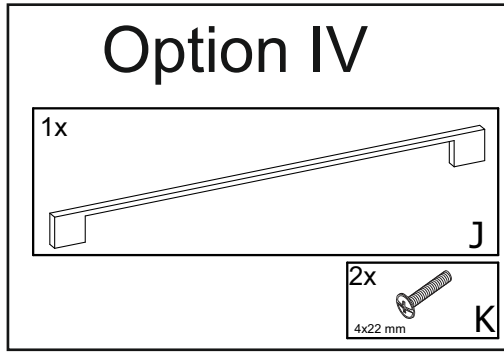
Version A



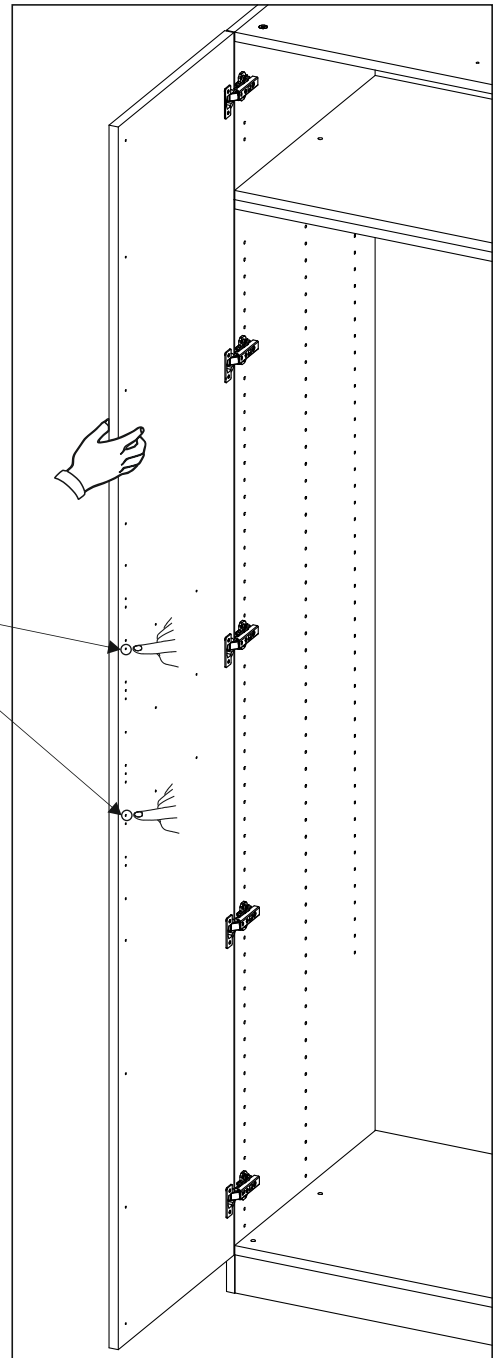
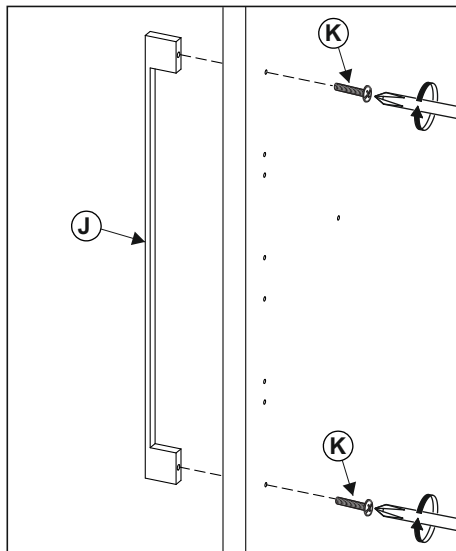
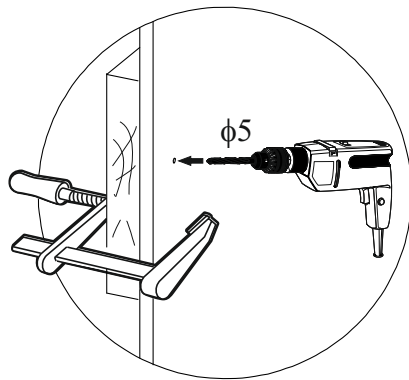
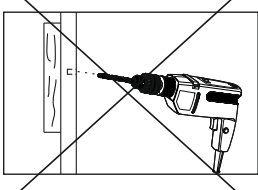
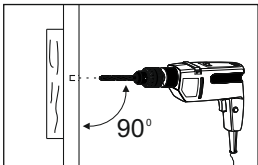
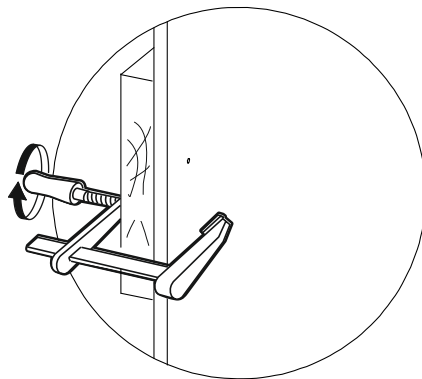
Version B



Option IV



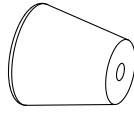
8



Option V

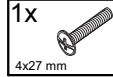


1x



L

1x



4x27 mm

M

9

